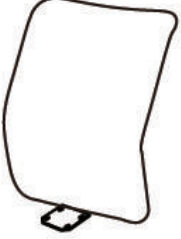

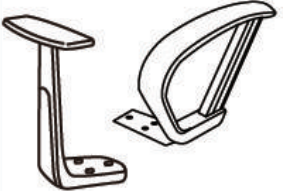
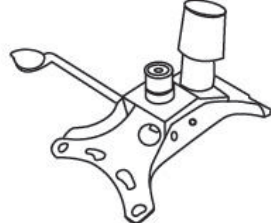


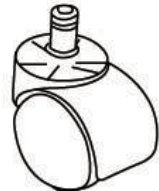



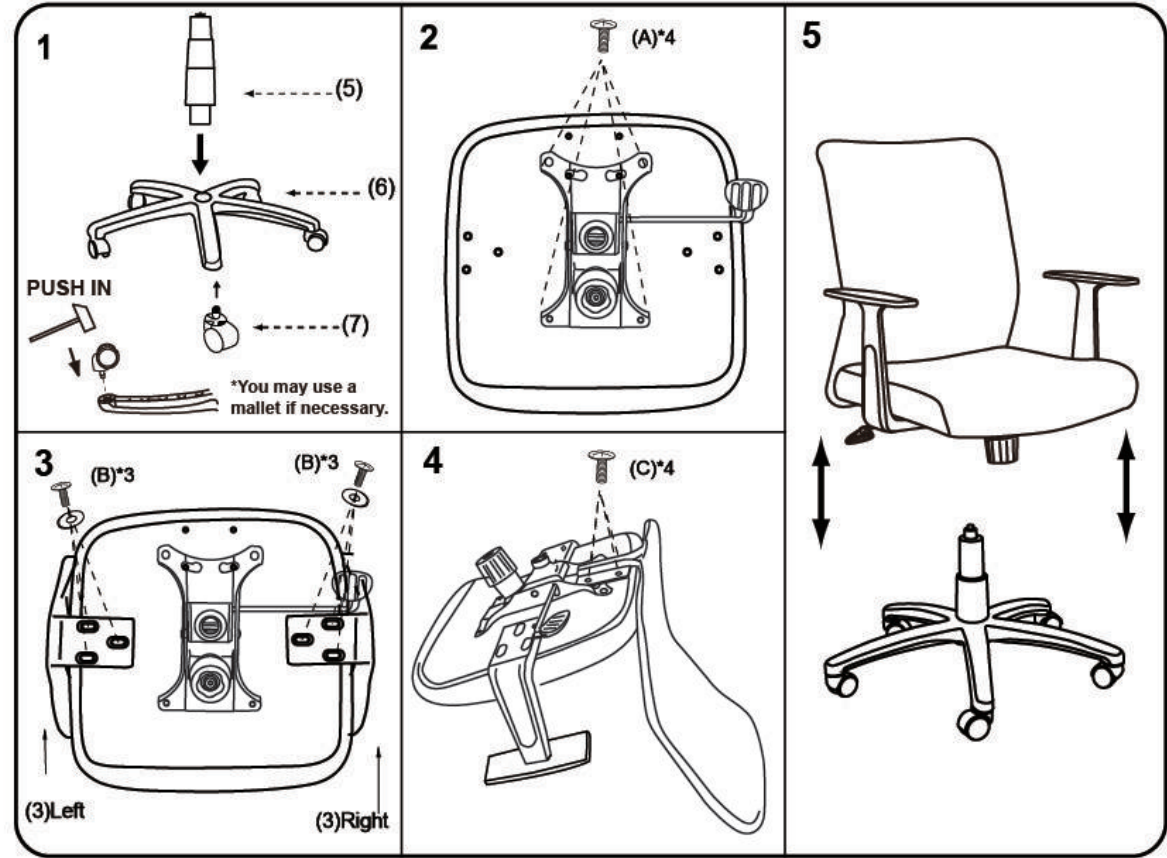


**IMPORTANT NOTICE:  
HARDWARE PACKAGE IS ATTACHED  
ON THE BOTTOM OF SEAT CUSHION.**

|  |  |   |
|--|--|---|
| (1)x1<br><br>Back Cushion         | (2)x1<br><br>Seat Cushion   | (3)x1 (L)x1 (R)<br><br>Left- Arm<br>Right- Arm |
| (4)x 1<br><br>Mechanism            | (5)x1<br><br>Gas Lift       | (6)x1<br><br>Nylon Base                        |
| (7)x 5<br><br>Casters           |  |   |
| (A)x4<br> M8*22 MECHANISM SCREW | (B)x6<br> M6*30 ARM SCREW | (C)x4<br> M8*25 L-BAR SCREW                  |



**Insert and loosely tighten all screws. When assembly is completed, fully tighten all screws before using. This chair is only intended for sitting. Any other use will void the warranty.**

