

# The Best Organizing Solution

Roll Anywhere, Role Everywhere



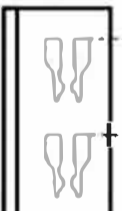
National  
Certified Brand  
(K-shelving)



**EASY**  
Boltless Design  
Easy Assembly



Hidden  
Secret Hole

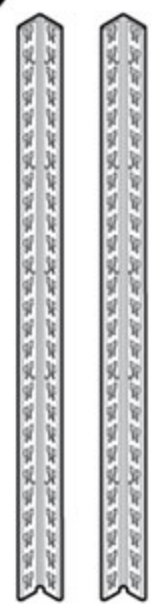














**1.18**  
Inches  
(3cm)  
Adjustable  
Height



including  
Special Gift

# COMPONENTS

<b>A</b>  <b>Post</b> 4ea+4ea=8ea	<b>B</b>  <b>Short Support Beam</b> 10ea	<b>C</b>  <b>Long Support Beam</b> 10ea	<b>D</b>  <b>Board</b> 5ea	<b>E</b>  <b>Post Coupler</b> 4ea	<b>F</b>  <b>Post Cap</b> 16ea
<b>G</b>  <b>Wheel Bracket</b> 4ea	<b>H</b>  <b>Brake Wheel</b> 2ea	<b>I</b>  <b>Wheel</b> 2ea	<b>J</b>  <b>Wall Fixing Bracket</b> 2ea	<b>K</b>  <b>Screw</b> 2ea	<b>L</b>  <b>C-Hook</b> 4ea
					<b>M</b>  <b>Urethane Mallet</b> 1ea


Free Gifts

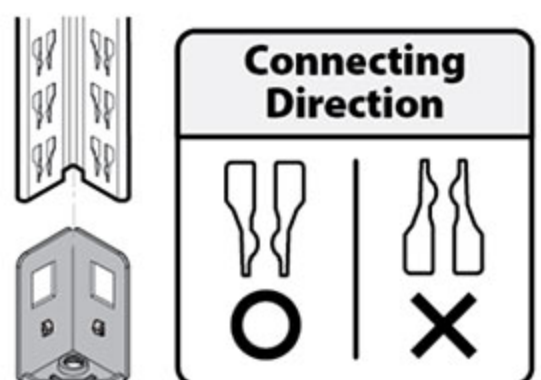
\* Please note that some component designs may change without advance notice to improve performance.

## PRE-ASSEMBLY TIPS

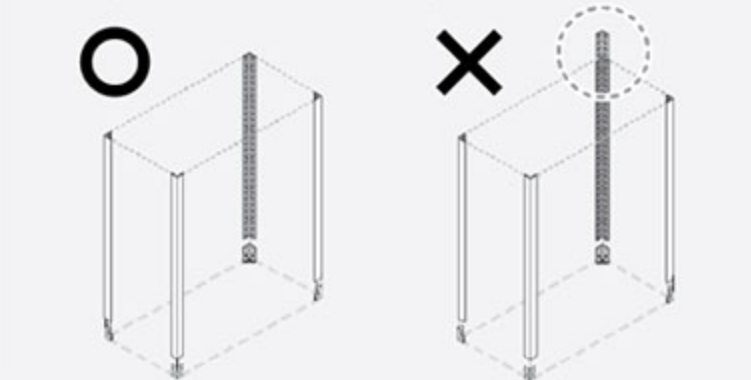
### POST & COUPLER

#### Assembling the Wheel Bracket

The shape of the Post hole should look like this 

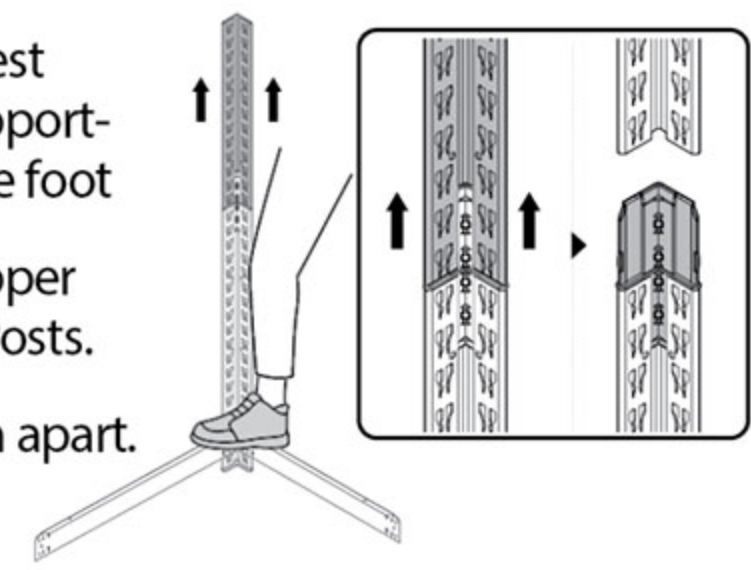


Use the **post with same length** to complete the bottom part of the shelf.



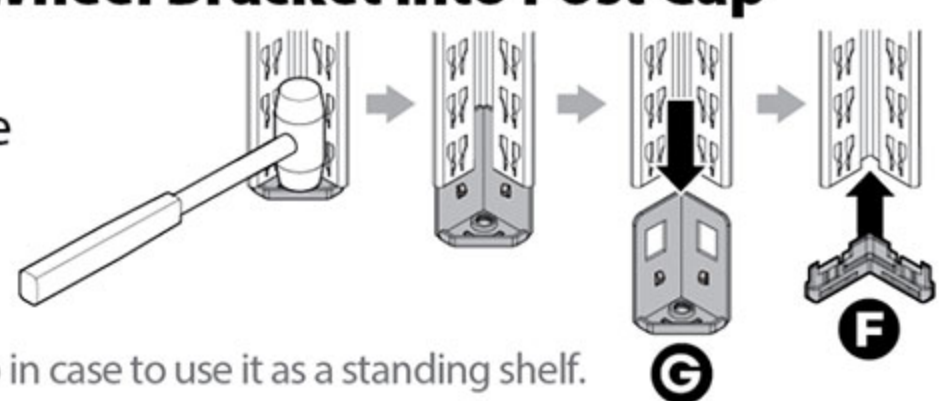
#### Disassembling the Post

- (1) Fix the lowest bottom Support-Beam by the foot
- (2) Hold the upper and lower Posts.
- (3) Shake them apart.



#### Replacement Wheel Bracket into Post Cap

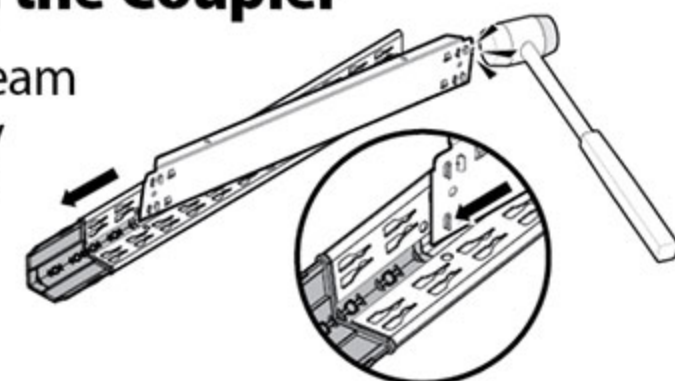
Insert the Post Cap after separating the Wheel Bracket by hitting it with a Mallet.



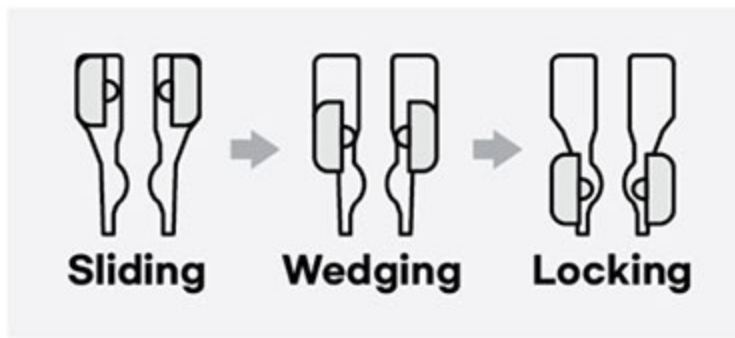
\*Keep an extra Post Cap in case to use it as a standing shelf.

#### Disassembling the Coupler

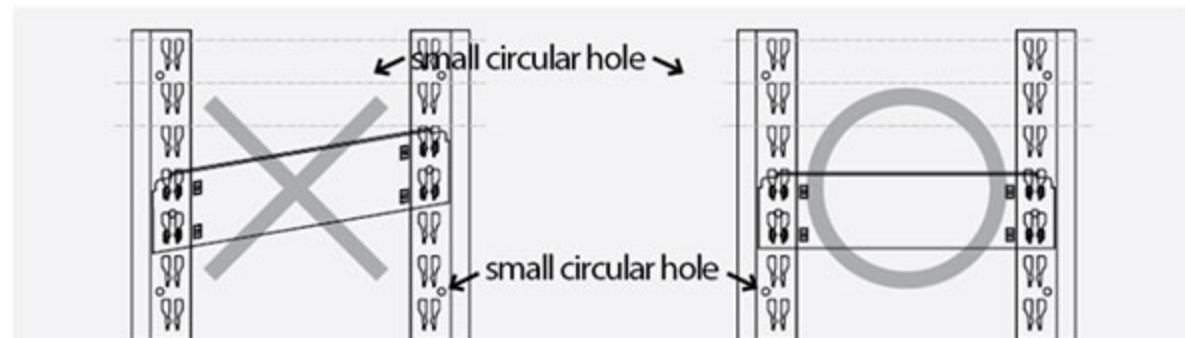
With a Support Beam and Mallet, gently hit the connected Post Coupler to separate it.



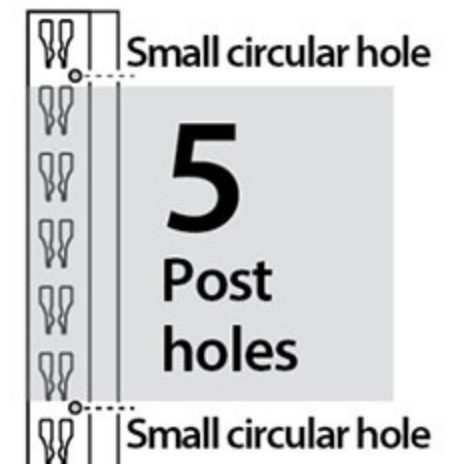
### SUPPORT BEAM



Please make sure the protrusions on the Support Beams are fully locked into the Post holes.

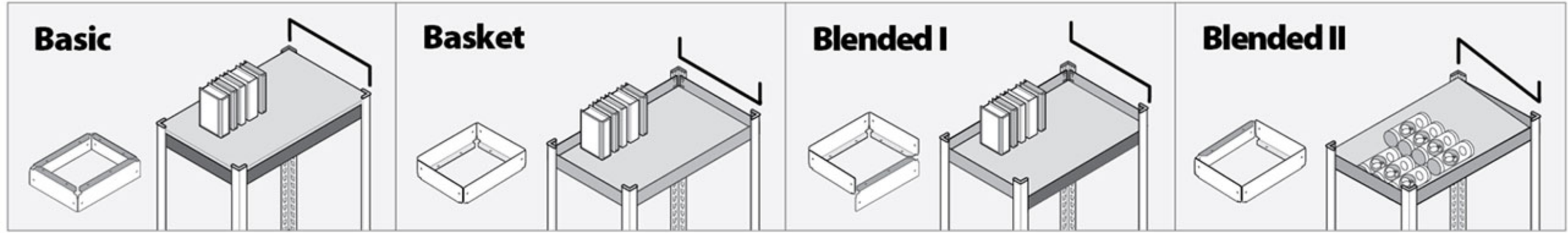


Before attaching the Support Beams, please confirm the position of the Post holes. (There is a small circular hole visible every 5 post holes that can aid in assessing height.)



#### Various Ways to Assemble the SUPPORT BEAM

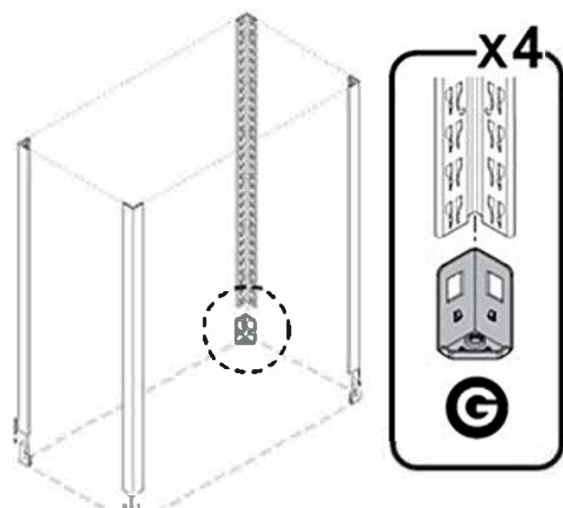
You can assemble it in various ways depending on how you connect the Support Beams.



\* You can assemble only the **Basic** style when using a LiftBeams

# ASSEMBLING SHELF with WHEEL

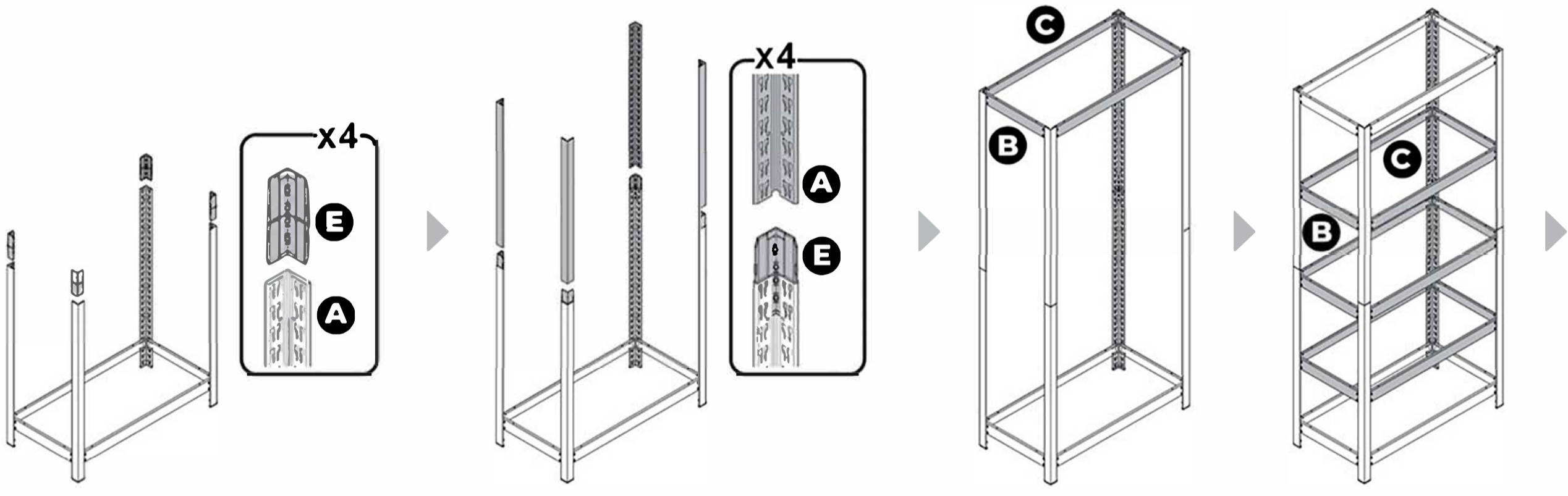
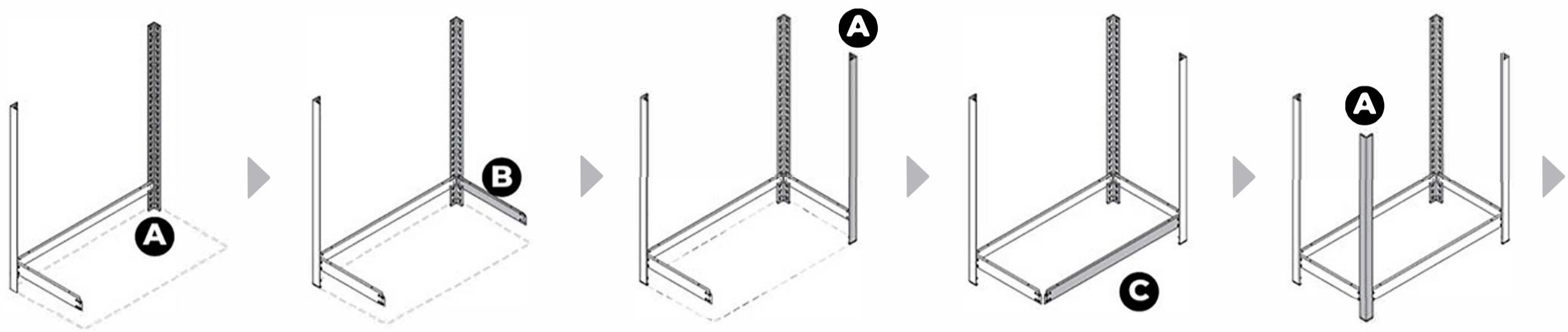
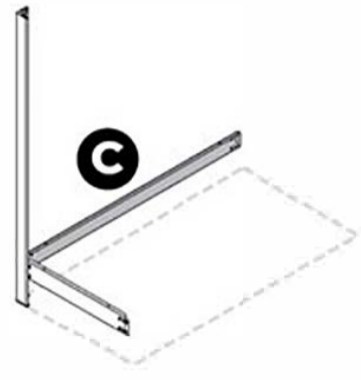
Use the **Post with same length** to complete the bottom part of the shelf.  
Check the **PRE-ASSEMBLY TIPS** for details.



**Keep in mind!**

For smooth assembly, assemble the wheels after completing the shelf.

**Connect the Support Beam to the Post's inside**  
Connect to the second and the third holes skipping the first bottom hole for wheel assembly.

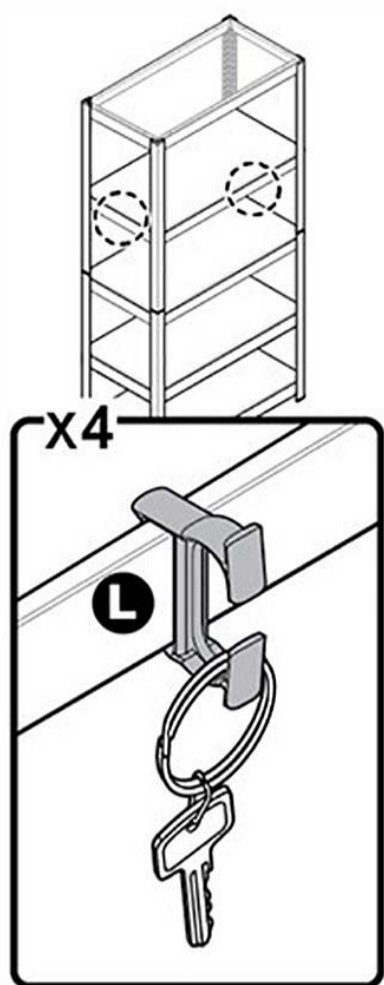


**Lay the assembled shelf on the floor and rotate the wheel** until the bolt of the wheel completely passes through the hole of the bracket.

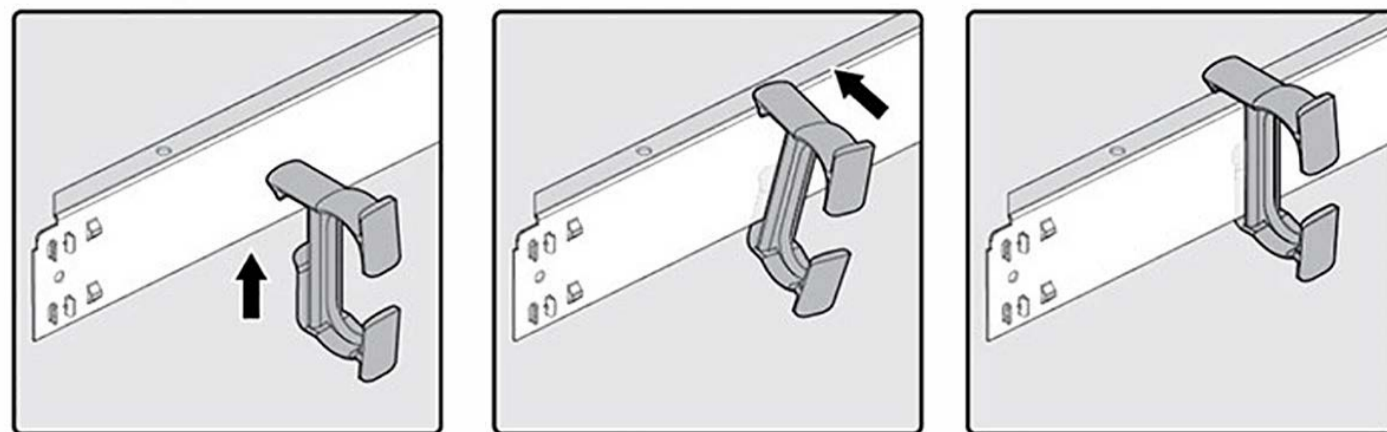
**Brake Wheel**      **Wheel**

# ACCESSORIES

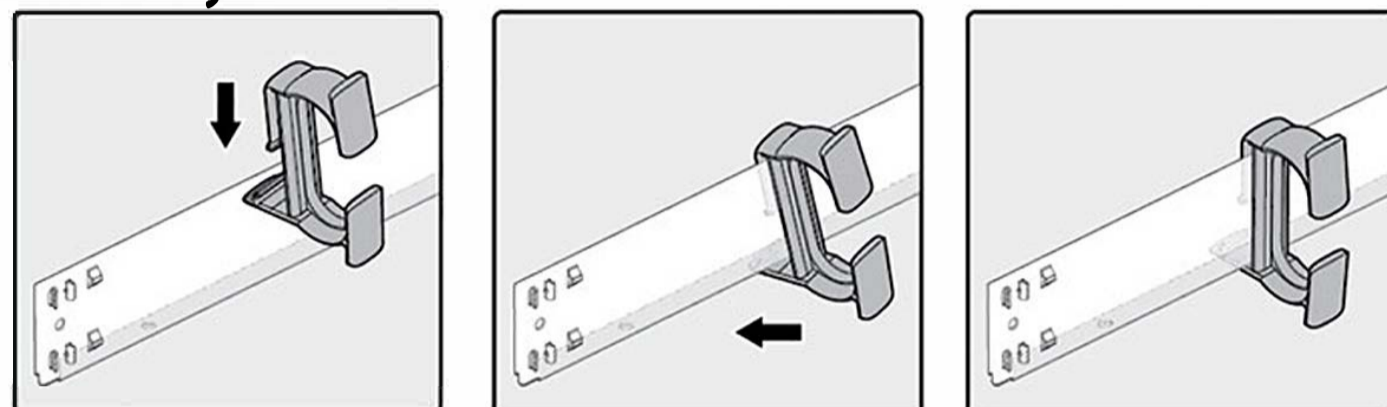
**Tip Reversible C-Hook** (Special Gift) Utilize it in various ways to organize more efficiently.



**Basic Style** \* Check the "SUPPORT BEAM" tips on the inside page for details.



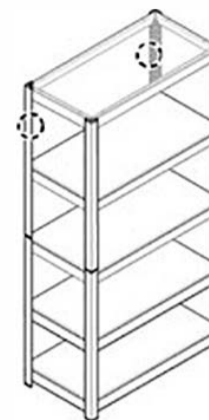
**Basket Style**



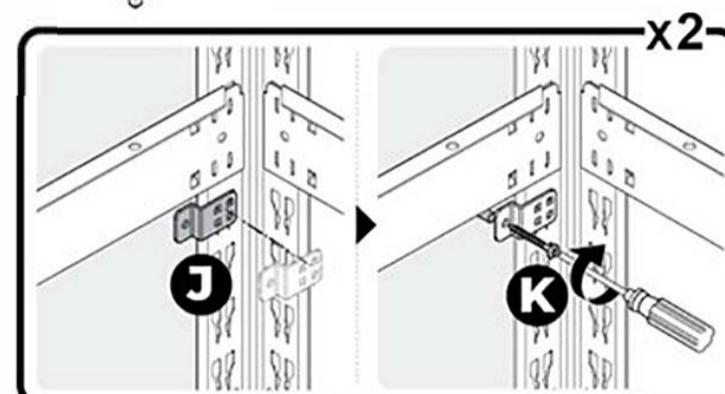
**Caution**

## Wall Fixing Bracket

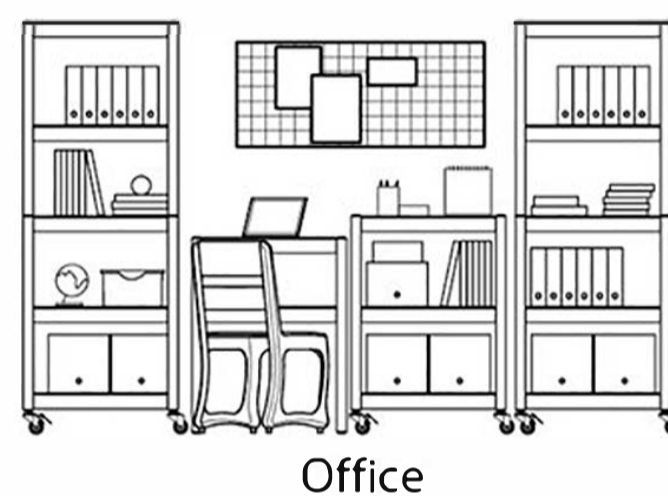
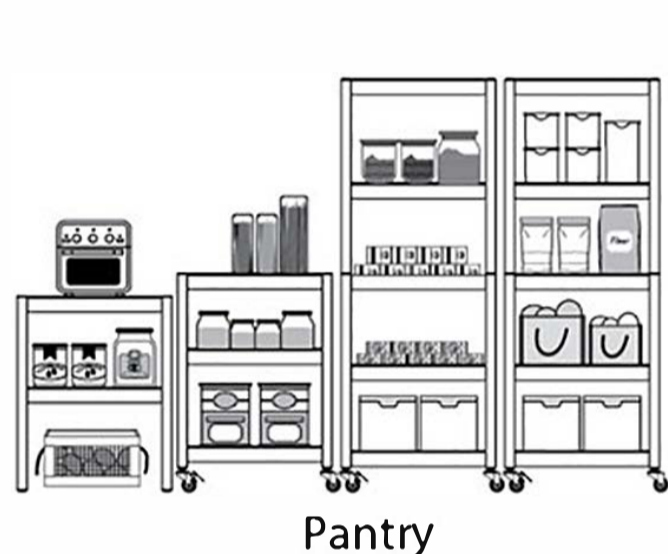
Parts for standing shelves, not wheel shelves.  
(When you don't move it for a long time, use it only as a standing shelf for safety.)



Make sure to install wall fixing brackets on the wall to prevent the product from falling forward.



# MULTIPURPOSE & TRANSFORMATION



Whatever you imagine, it is possible.

# SAFETY PRECAUTIONS

## ASSEMBLY

- After opening the package, please check whether there are no problems with the components.
  - Assemble and use the product on a flat surface and in a safe place.
  - When using an iron hammer, lay down a cotton towel to prevent damage to the product.
  - For smooth assembly, assemble the wheels after completing the shelf.
- When assembling, protect the ground and use gloves.

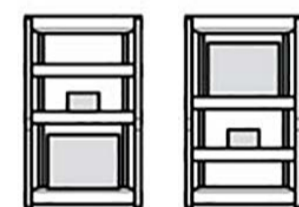
## USE

- Check whether the product has been well assembled before use.
- Do not climb or hang on the product.
- Be careful of the protrusion or edges that may cause injury.
- It is possible to turn into diverse modules Nevertheless please refrain from any unstable structural changes.(Unbalanced assembly, removing parts arbitrarily, etc.)
- Do not load the product be vibrated.
- If there are dirty substances or liquids on it, wipe it with a dry towel and dry it completely.

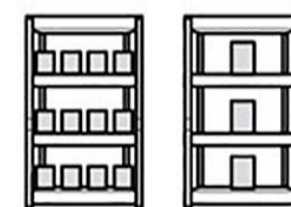
## STORAGE

- Do not install the product in places with high temperatures, or near chemicals, fire sources.
- Keep the product in a dry and well-ventilated place.
- Please be careful that if the product is left in a humid place for a long time, it may bend.

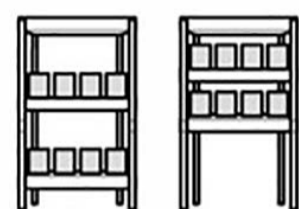
# RECOMMENDATIONS



For safety, avoid placing heavy items on the upper part of the shelf.



Don't Place it so that the weight is concentrated on one spot.



We do not recommend setting the bottom board too high as that might disrupt the stability of the product

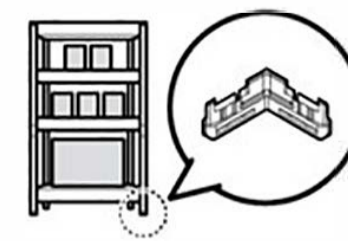


### Move Often



Placing heavy items on the upper shelf can disrupt its balance and cause it to tip over.

### Stationary Long-Term



If you replace the wheel into post cap to use it as a standing shelf, mount it on the wall with the Wall Fixing Bracket for safe.