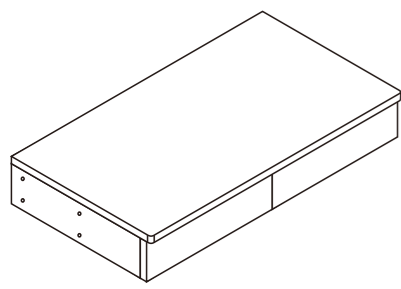
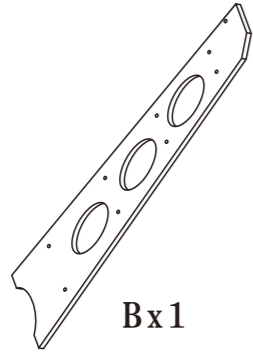


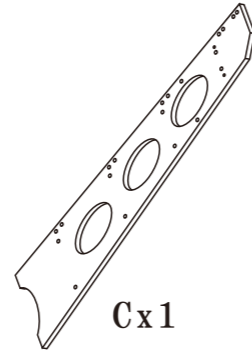
Part List



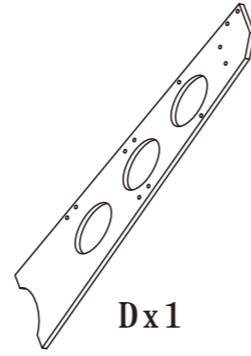
Ax1



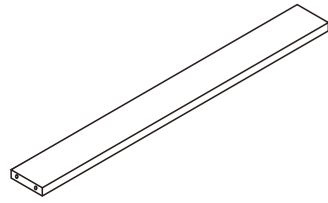
Bx1



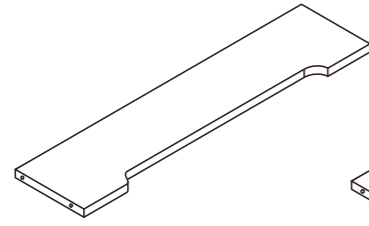
Cx1



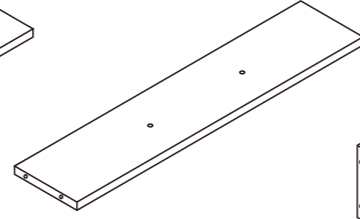
Dx1



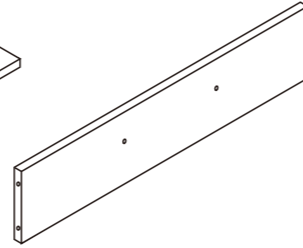
Ex1



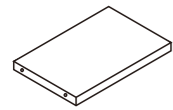
Fx1



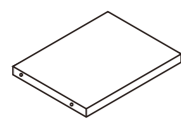
Gx1



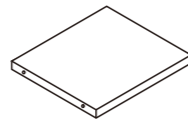
Hx1



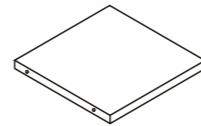
Ix1



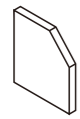
Jx1



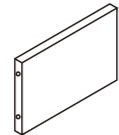
Kx1



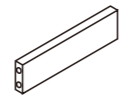
Lx1



Mx2



Nx1



Ox3

Hardware List



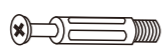
1 x8



2 x16



3 x27



4 x2



5 x2



6 x6



7 x1



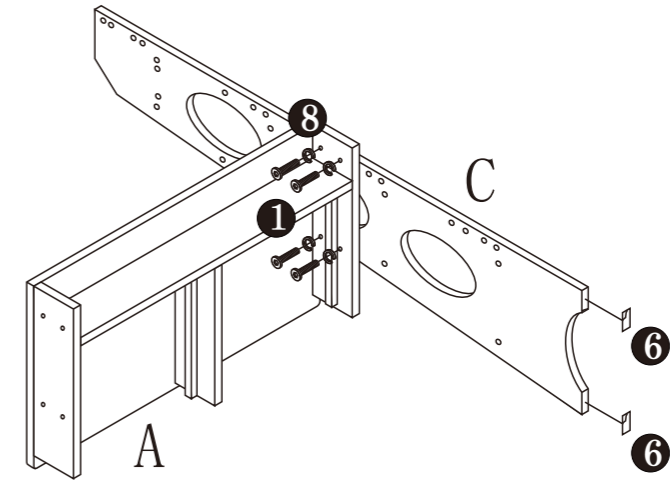
8 x8



9 x8

Assembly

STEP1



8 x4

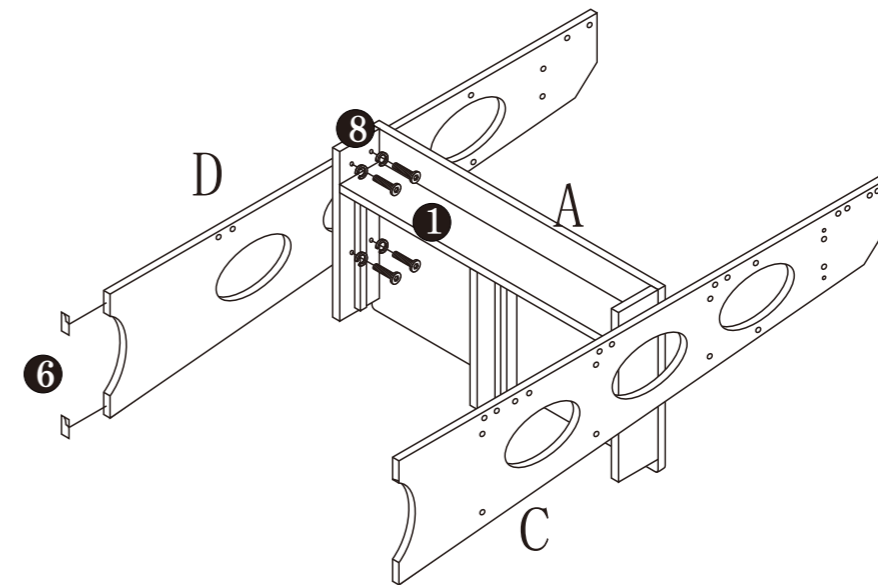


6 x2



1 x4

STEP2



8 x4

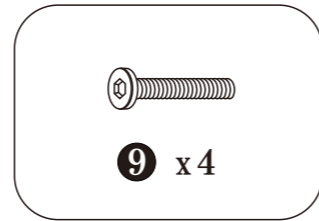
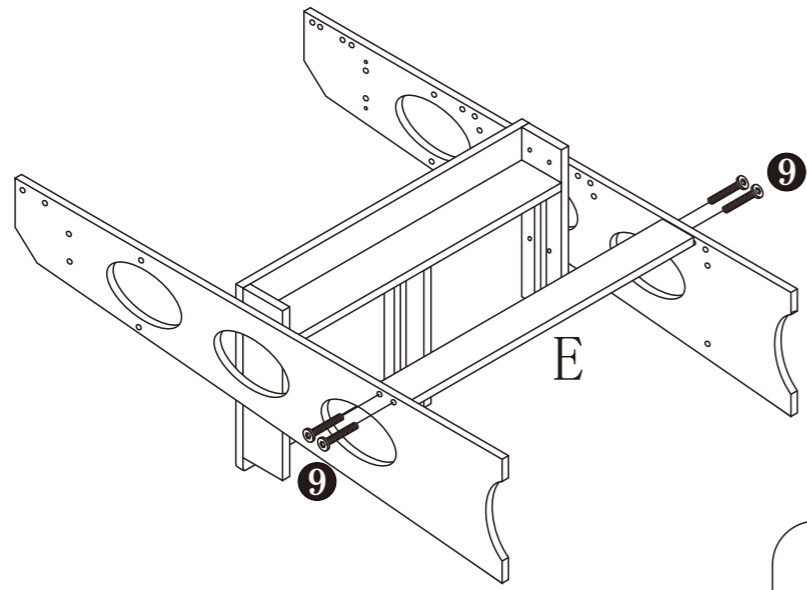


6 x2

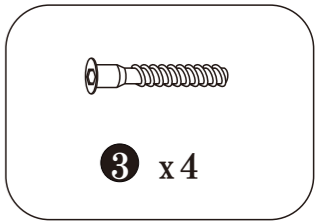
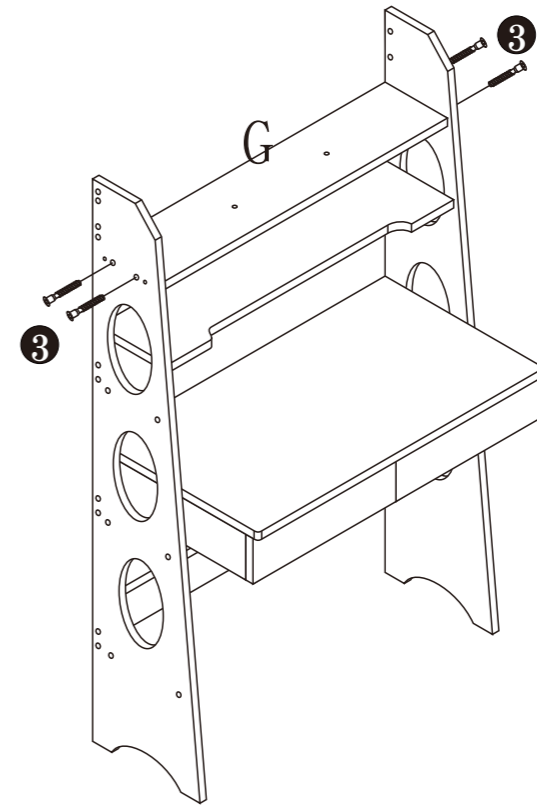


1 x4

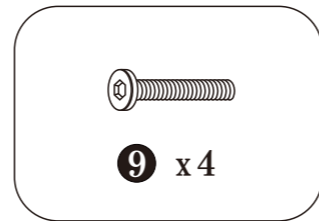
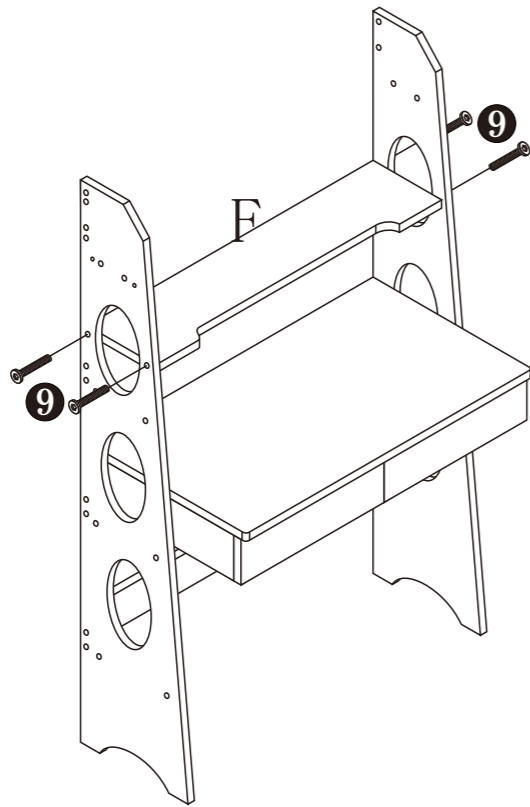
STEP3



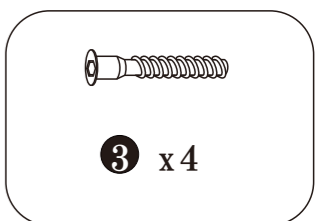
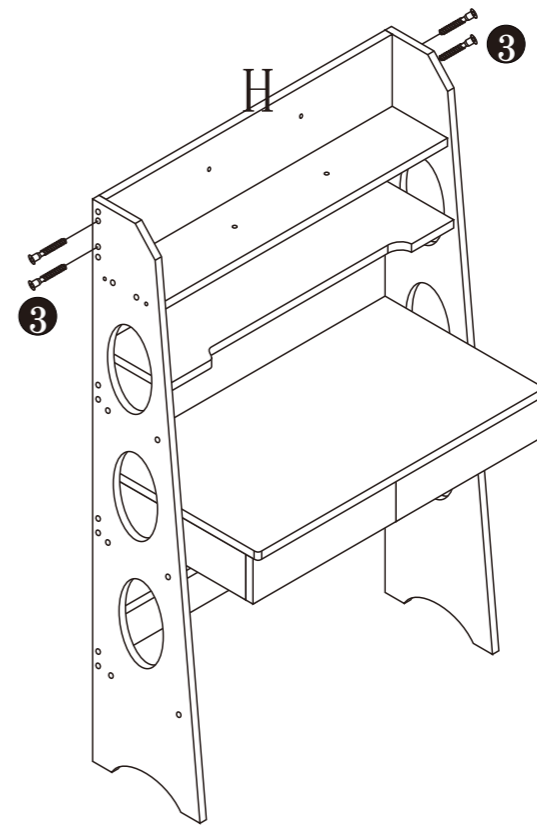
STEP5



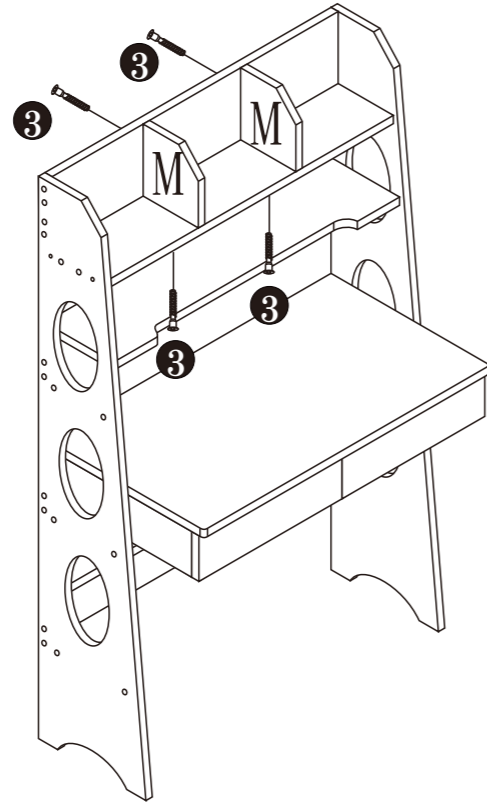
STEP4



STEP6

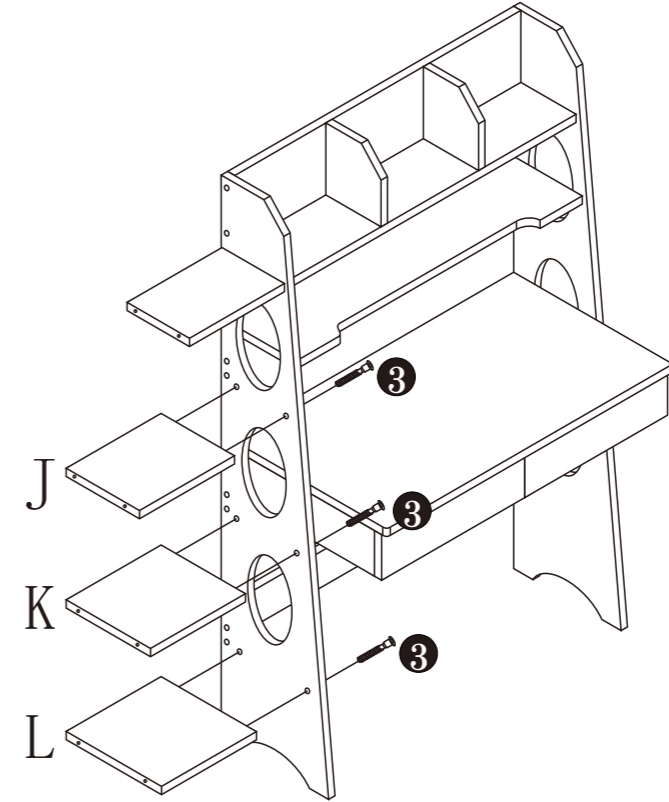


STEP7



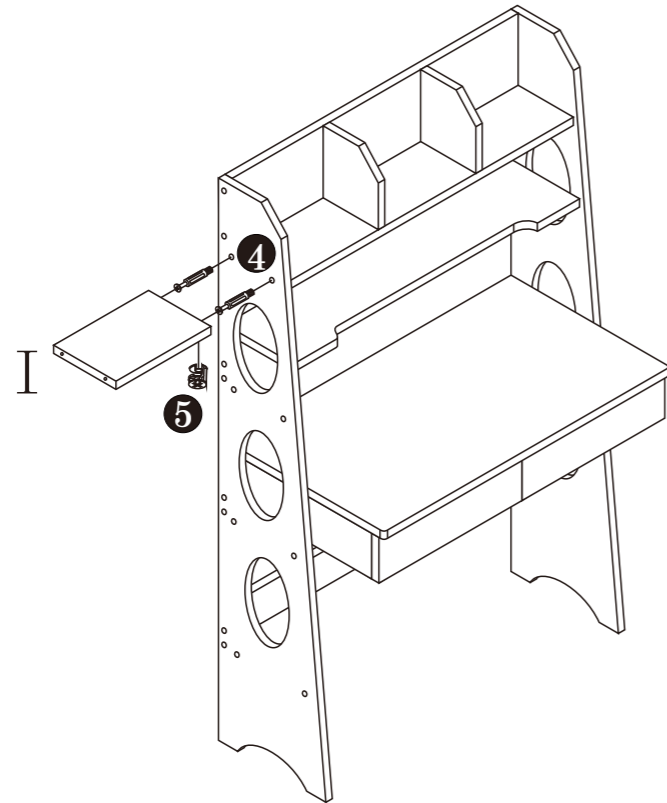
3 x4

STEP9



3 x6

STEP8

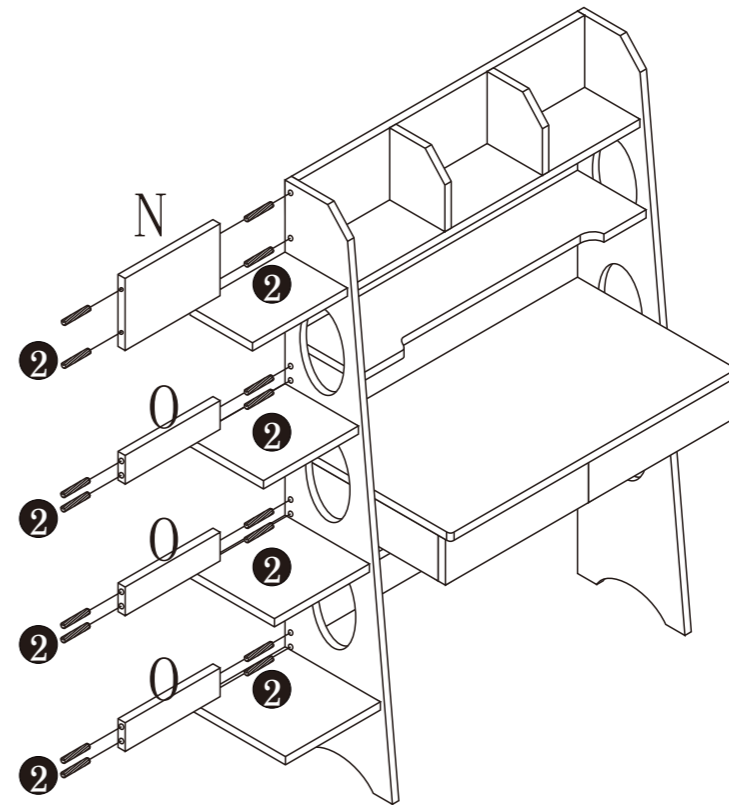


4 x2



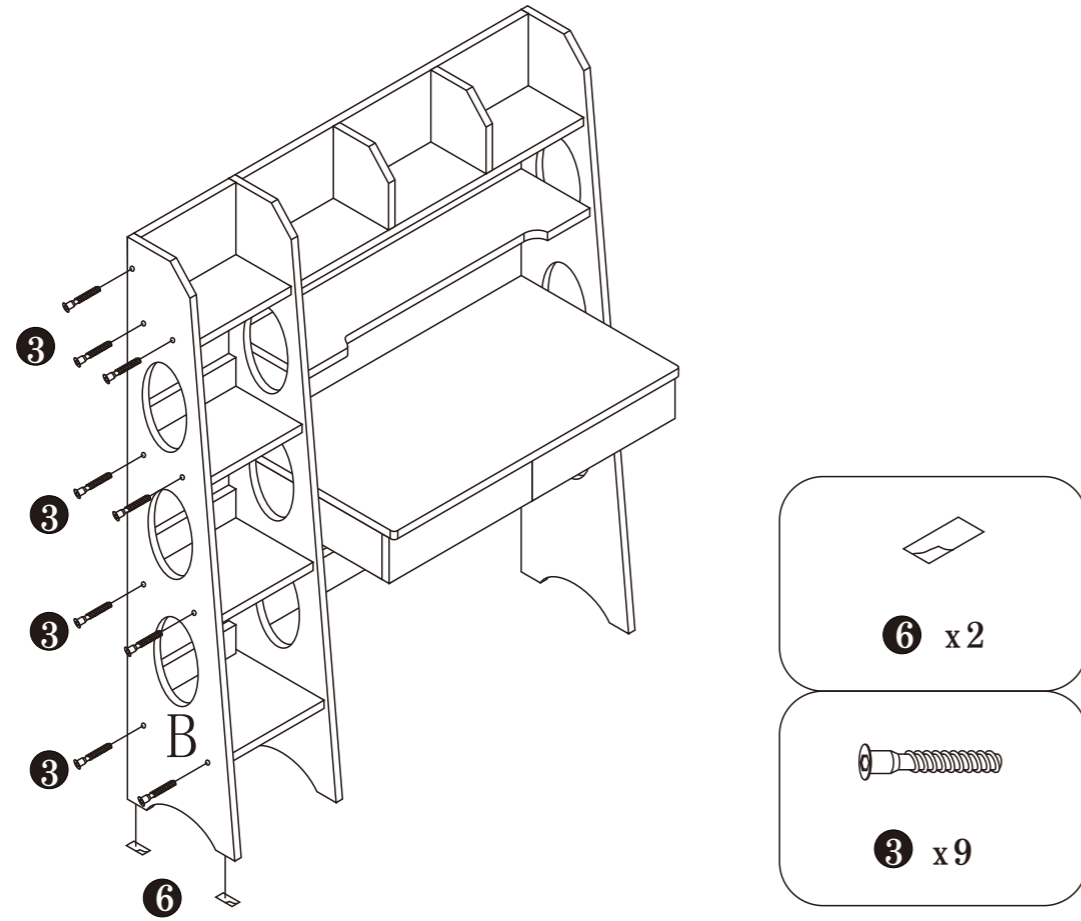
5 x2

STEP10

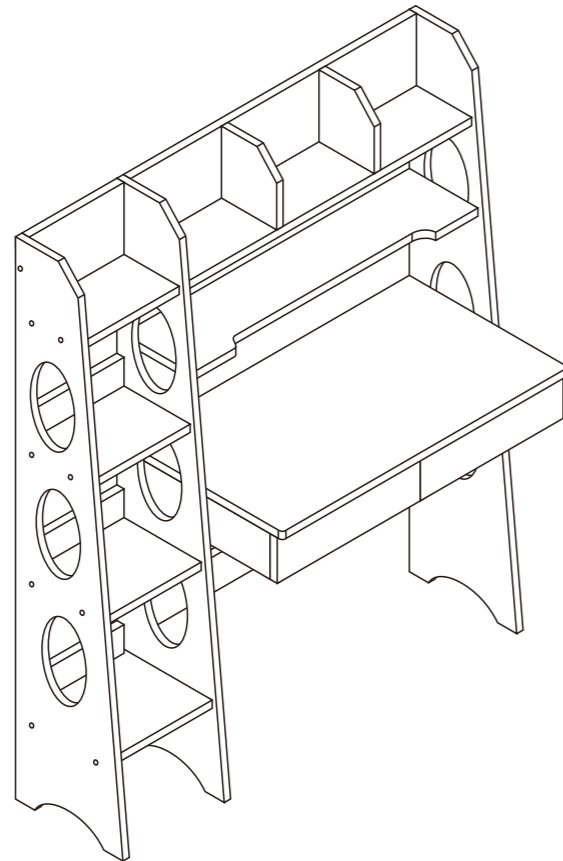


2 x16

STEP11



STEP12



Tips before you start

- 1 For the protection of your furniture, we recommend that the product is placed on a protected surface during assembly to prevent any damage.
- 2 Please check that all parts are present before you start the assembly of your furniture.
- 3 For ease and speed of assembly, we recommend that you identify all the parts required for each step before commencing with assembly.
- 4 For larger items, please ensure that you have sufficient space and people (as indicated on page 1) to assemble your product safely.
- 5 We recommend that, where possible, all items are assembled near to the area in which they will be placed in use, to avoid moving the product unnecessarily.
- 6 During assembly please take care not to over-tighten hardware, as this may damage the product. Do not use power tools.
- 7 Always place the product on a steady and stable surface.
- 8 Do not stand on the product. Do not use the product as a stepladder.
- 9 This product is intended for indoor, household use only as it is a non-industrial product.
- 10 After-sales service: Thank you for your support. In order to bring you a more pleasant shopping experience, you are welcome to provide valuable comments and suggestions, and you can contact us at any time after shopping. E-mail: 539529597@qq.com

Care and maintenance

- ✓ Please periodically check all things and re-tighten as necessary.
- ✓ To clean your item, please use a damp cloth and wipe clean.
- ✓ Never allow any kind of liquid to remain on your furniture.
- ✓ Please do not place hot items (eg. Hot drinks) directly on to the surface.