

**ASSEMBLY INSTRUCTION**

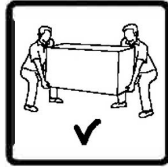
**ASSEMBLY TIPS :**

- 1.Remove hardware from box and sort by size.
- 2.Please check to see that all hardware and parts are present prior to start of assembly.
- 3.Please follow attached instructions in the same sequence as numbered to assure fast & easy assembly.



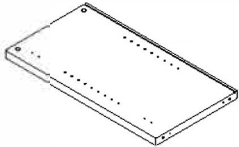
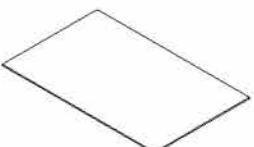
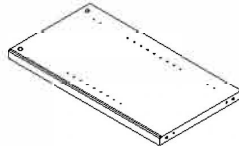
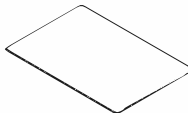
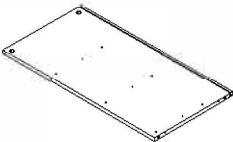
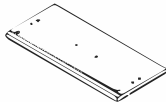
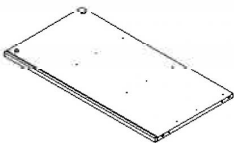

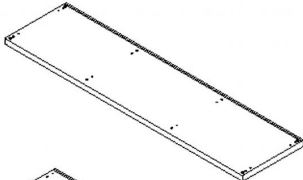

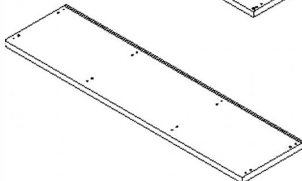

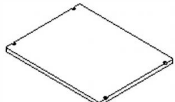
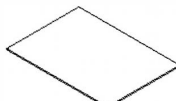
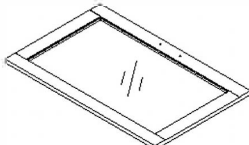
**Warning !**

- 1.Don't attempt to repair or modify parts that are broken or defective.Please contact the store immediately.
- 2.This product is for home use only and not intended for commercial establishment.



**ASSEMBLY TIME PER UNIT: 60 MINUTES**

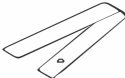



**PARTS IDENTIFICATION:**

(A) LEFT SIDE PANEL		1PC	(I) BACK PANEL		2PCS
(B) RIGHT SIDE PANEL		1PC	(J) MIDDLE BACK PANEL		2PCS
(C) LEFT DIVIDER PANEL		1PC	(K) DRAWER FRONT PANEL		3PCS
(D) RIGHT DIVIDER PANEL		1PC	(L) DRAWER BACK PANEL		3PCS
(E) BOTTOM PANEL		1PC	(M) LEFT DRAWER SIDE PANEL		3PCS
(F) TOP PANEL		1PC	(N) RIGHT DRAWER SIDE PANEL		3PCS
(G) ADJUSTABLE SHELF		4PCS	(O) DRAWER BOTTOM PANEL		3PCS
(H) DOOR		2PCS			

## ASSEMBLY INSTRUCTION

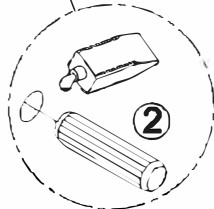
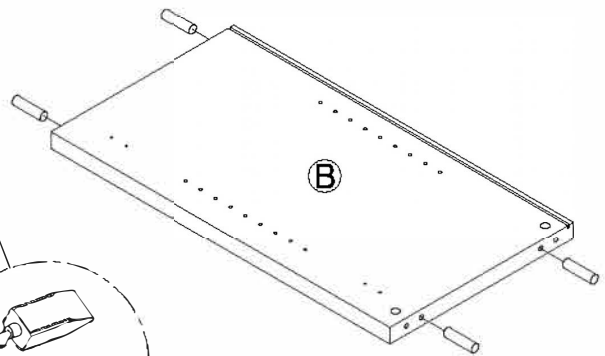
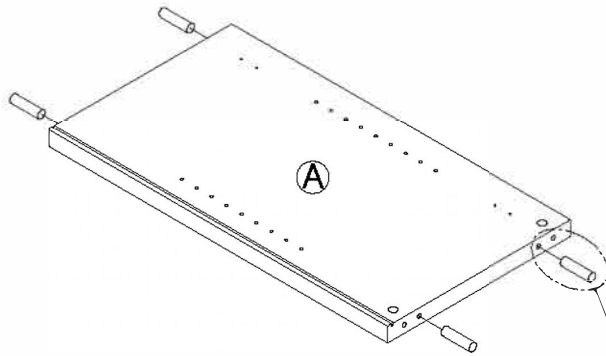
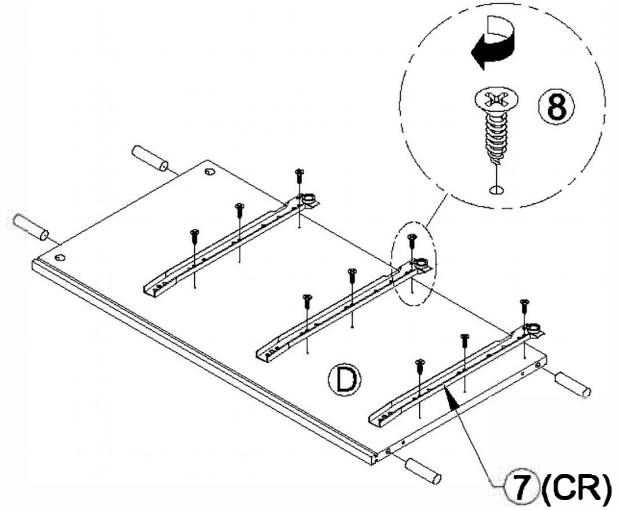
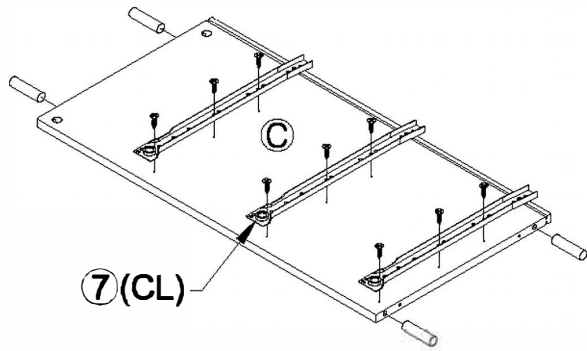
Z <b>HARDWARE PACKAGE</b>							
NO	DESCRIPTION	FIGURE	Q'TY	NO	DESCRIPTION	FIGURE	Q'TY
1	GLUE 40g		1PC	10	HINGE		4PCS
2	WOODEN DOWEL ø8x30mm		28PCS	11	SCREW ø4x15mm FOR HINGE		16PCS
3	CAM BOLT ø7x35.5mm		14PCS	12	HANDLE L=120mm		5PCS
4	CAM LOCK ø15x12mm		14PCS	13	HANDLE BOLT ø4x20mm		10PCS
5	BOLT ø9.5x55mm FOR BOTTOM PANEL		8PCS	14	SIDE FOOT 50x50x70mm		4PCS
6	SCREW ø4.3x35mm FOR DRAWER		12PCS	15	MIDDLE FOOT ø37x70mm		2PCS
7	RAIL L = 350mm		3SET	16	BOLT ø6.35x38.1mm FOR SIDE FOOT		4PCS
8	SCREW FOR RAIL ø3x10mm		36PCS	17	STICKER ø20mm		3PCS
9	PIN ø4.9x8mm		16PCS	18	I BAR L=527mm		1PC

**Z7,Z10,Z12,Z13,Z14,Z15,Z18 not included in blister packaging.**

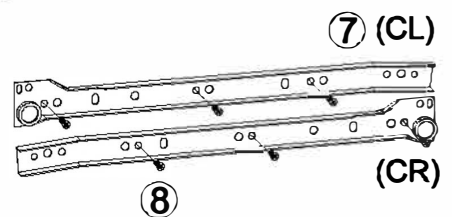
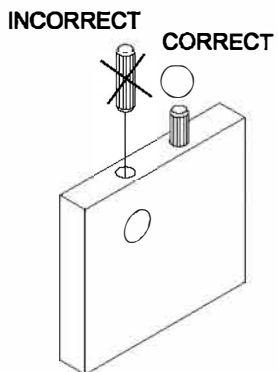
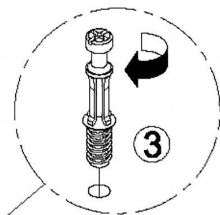
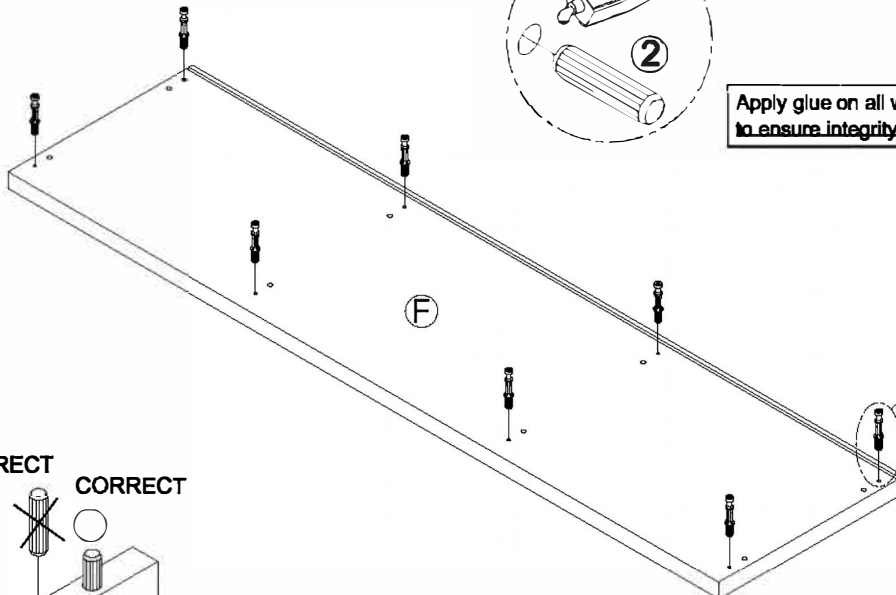
Z <b>HARDWARE PACKAGE</b>							
NO	DESCRIPTION	FIGURE	Q'TY	NO	DESCRIPTION	FIGURE	Q'TY
19	ANTI-TIP STRAP 170x15mm		2PCS	21	WALL SCREW ø4x25mm		2PCS
20	WALL PLUG 6x30mm		2PCS	22	SCREW ø4x16mm		2PCS

# ASSEMBLY INSTRUCTION

STEP 1 :

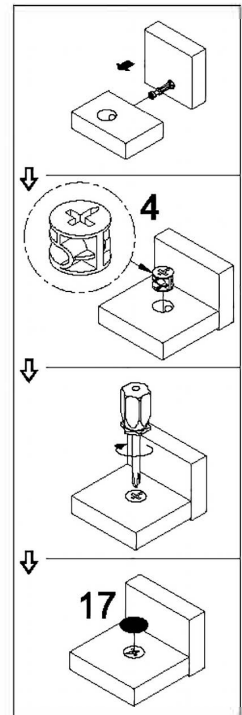
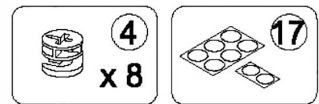
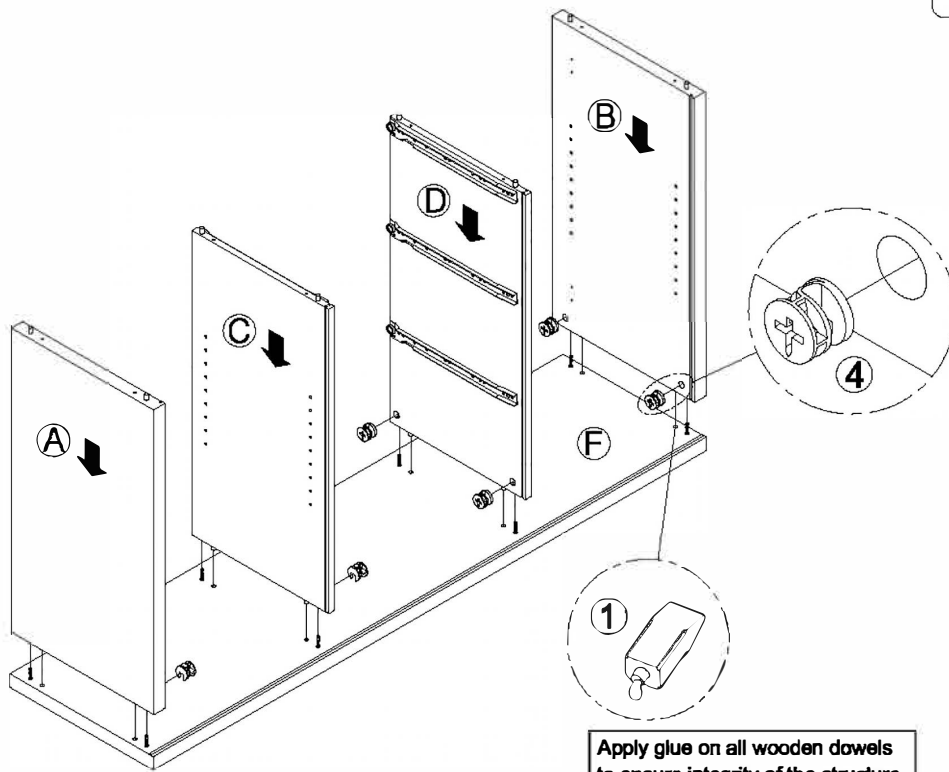


Apply glue on all wooden dowels to ensure integrity of the structure.

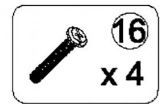
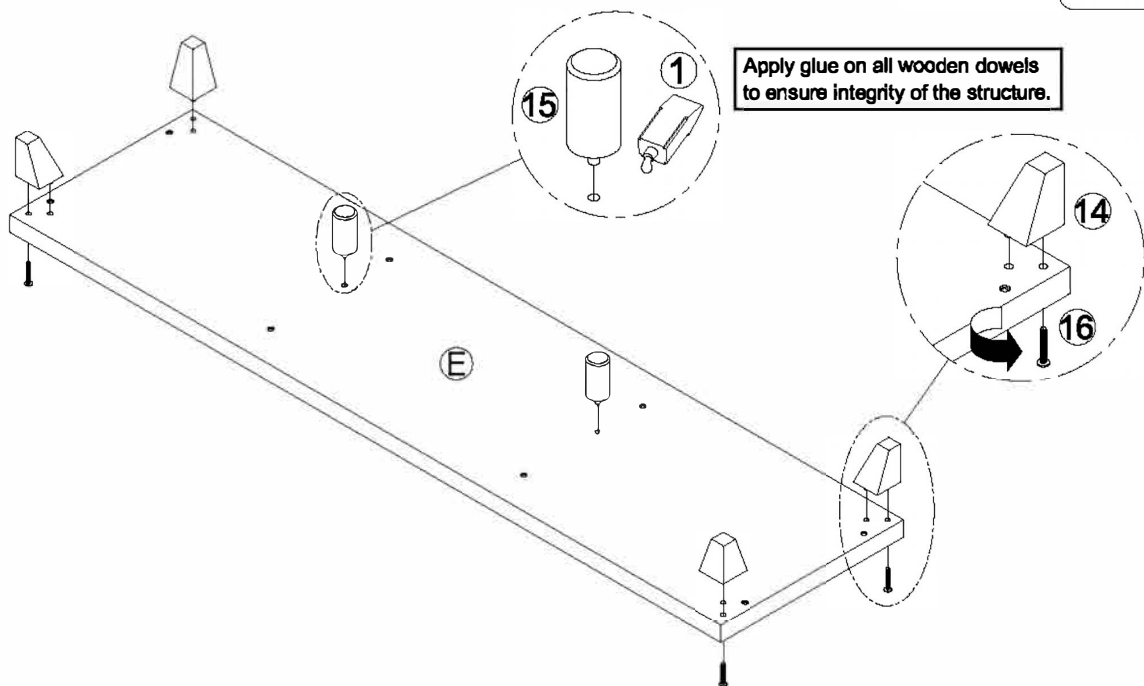


# ASSEMBLY INSTRUCTION

## STEP 2 :

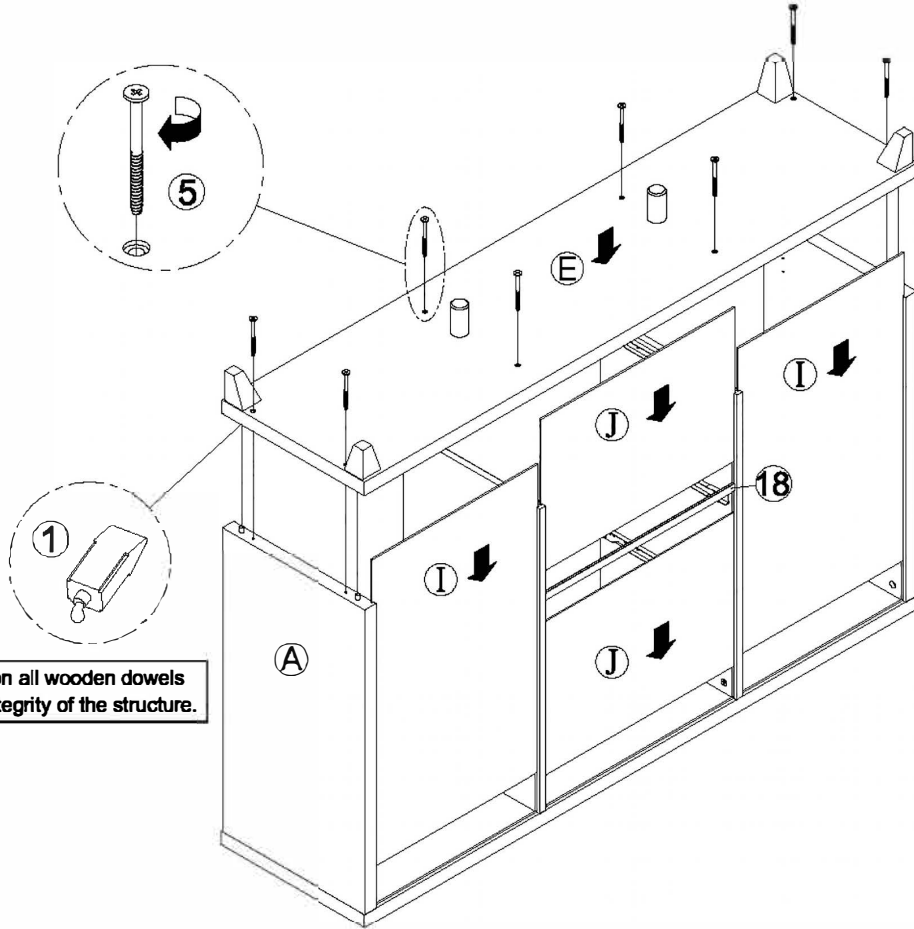
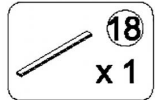
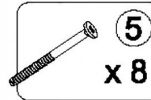


## STEP 3 :

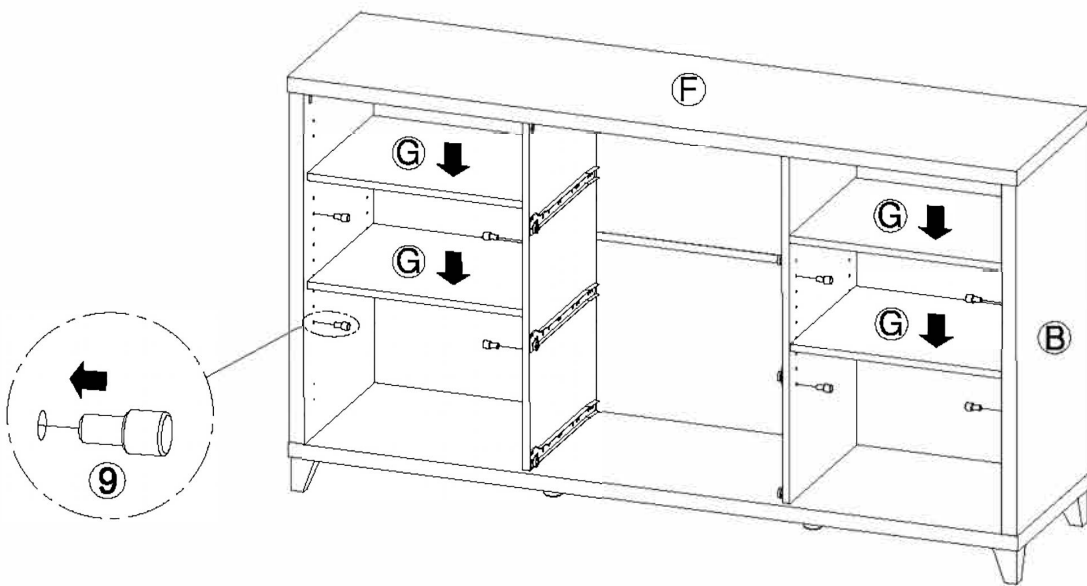
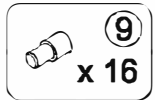


# ASSEMBLY INSTRUCTION

## STEP 4 :

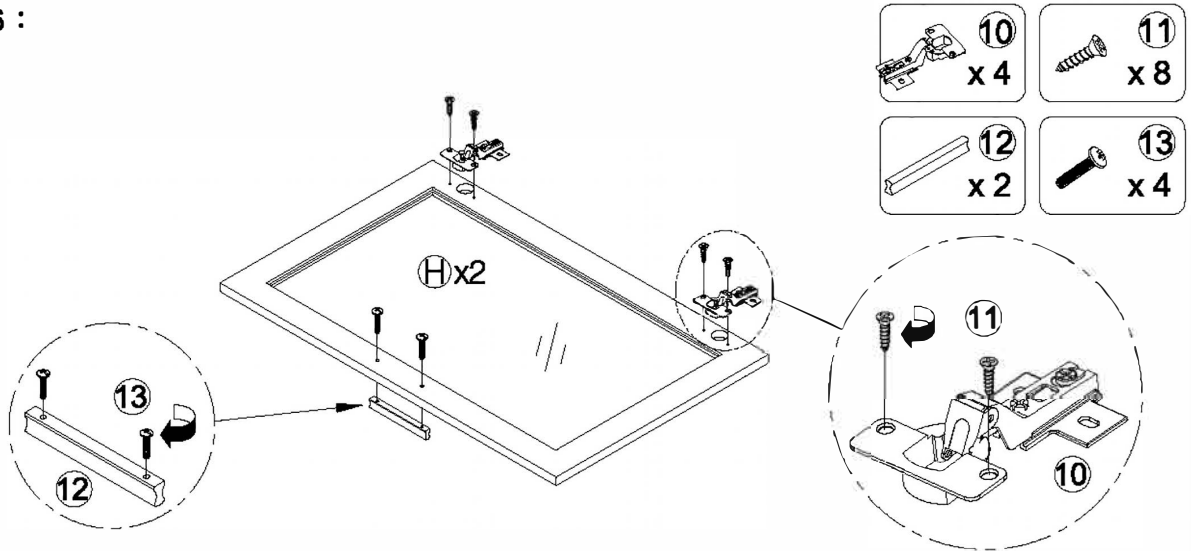


## STEP 5 :

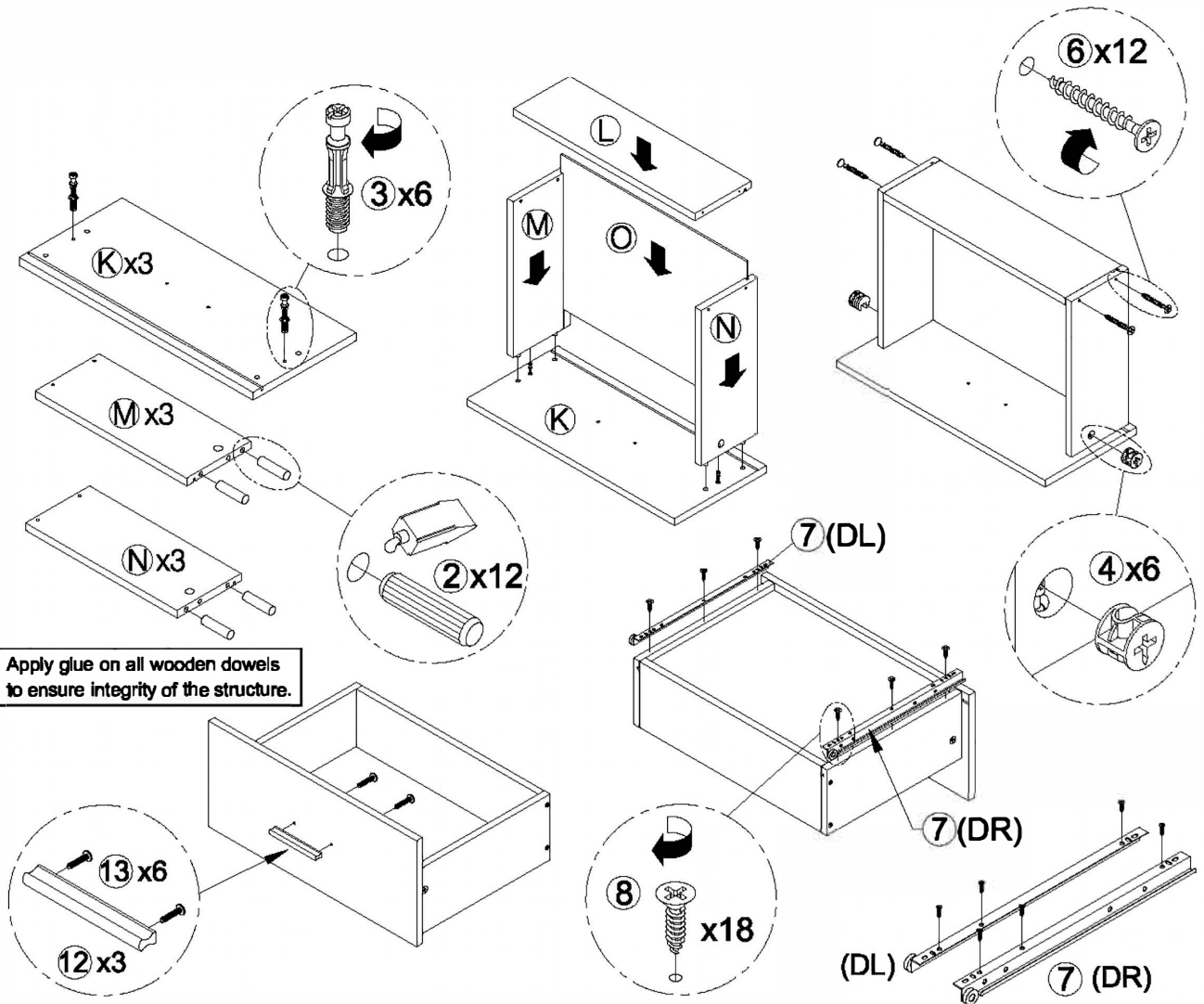


# ASSEMBLY INSTRUCTION

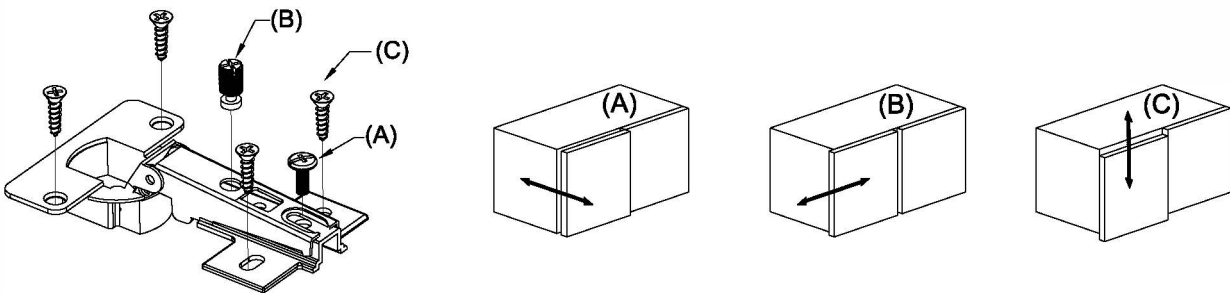
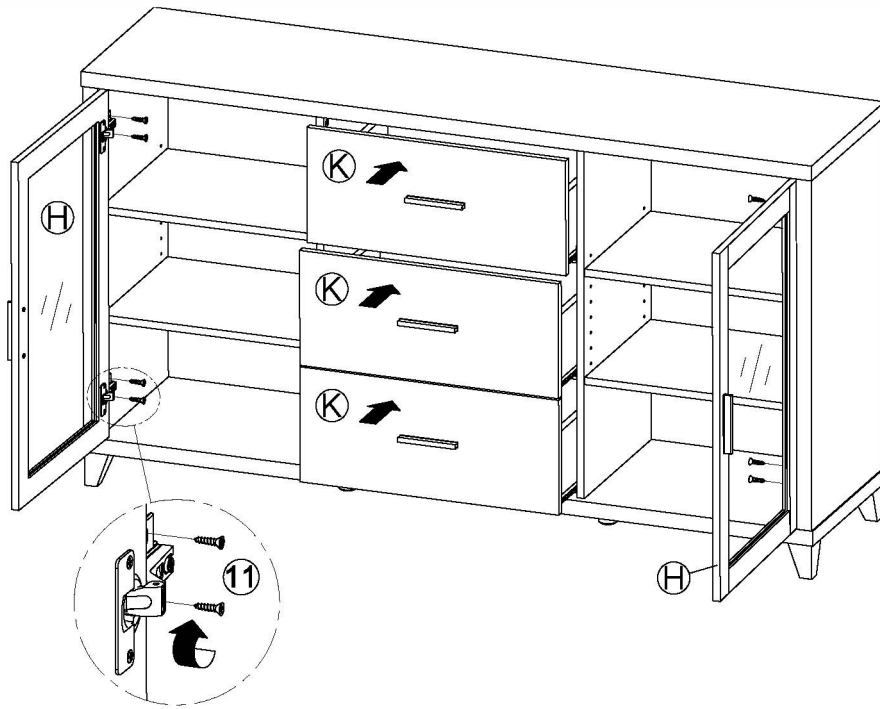
## STEP 6 :



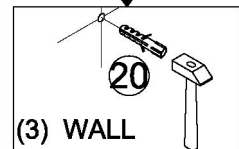
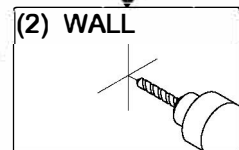
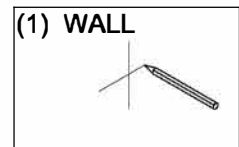
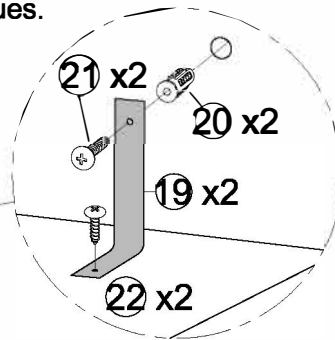
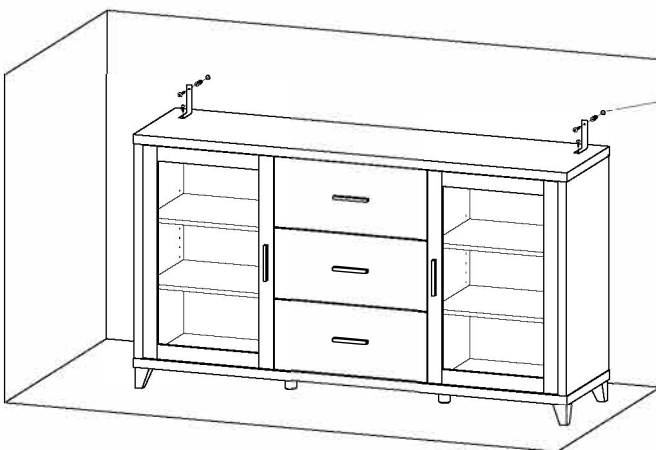
## STEP 7 :



**STEP 8 :**



**STEP 9 :** **ATTENTION: ANTI TIPPING SAFEGUARD**  
Please install the anti-tipping hardware as shown in the drawing.  
This can help to prevent any tipping issues.



**FURNITURE TIPPING RESTRAINT**

**WARNING**

**Injury may result from tipping furniture**  
This restraint is not a substitute for proper adult supervision.  
This restraint may provide protection against tipping furniture.  
Do not allow children to climb on furniture.  
Failure to detach this restraint before moving furniture may  
result in injury and damage

