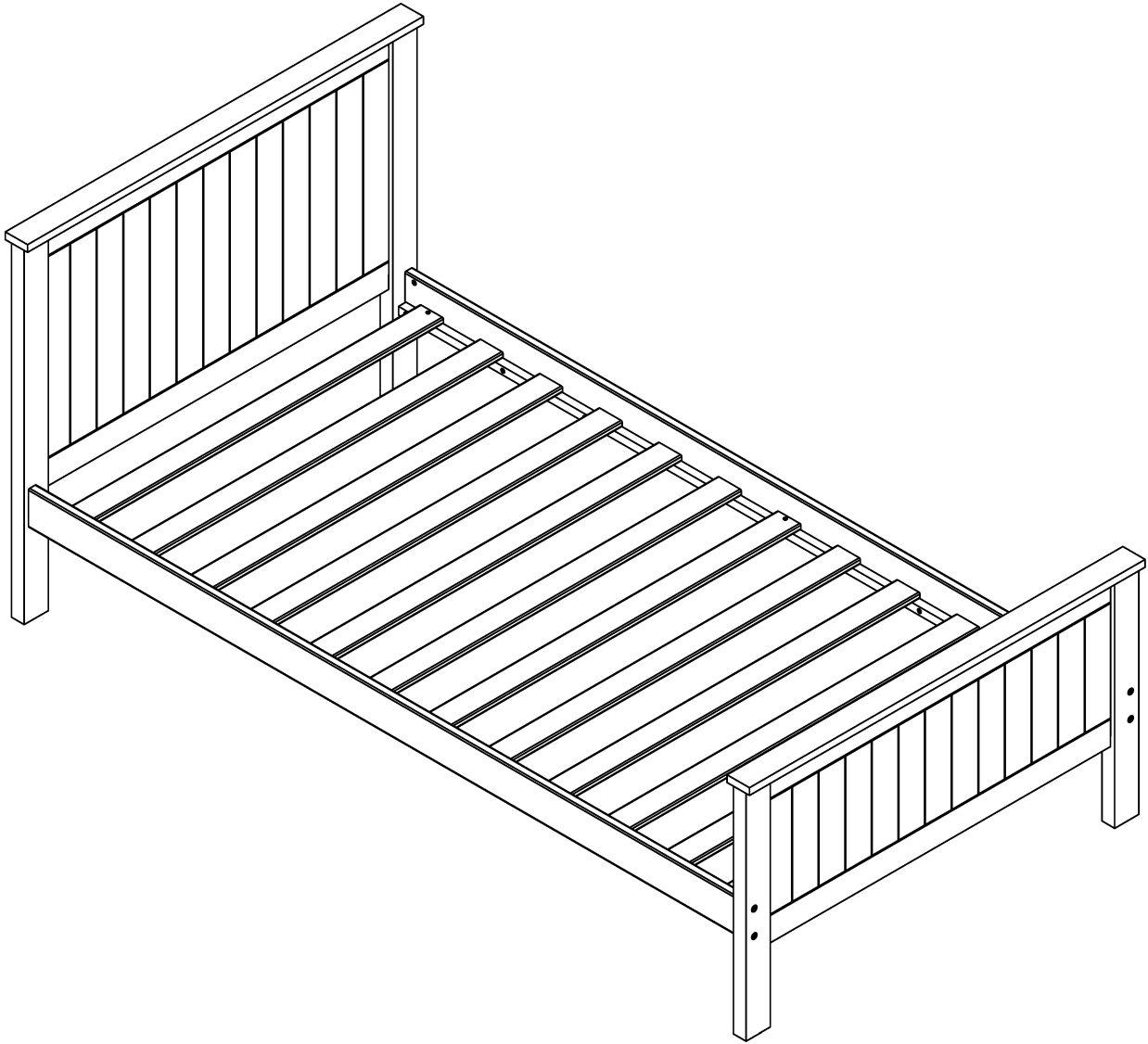
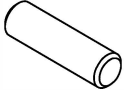
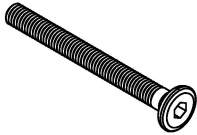


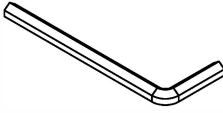



ASSEMBLY INSTRUCTION

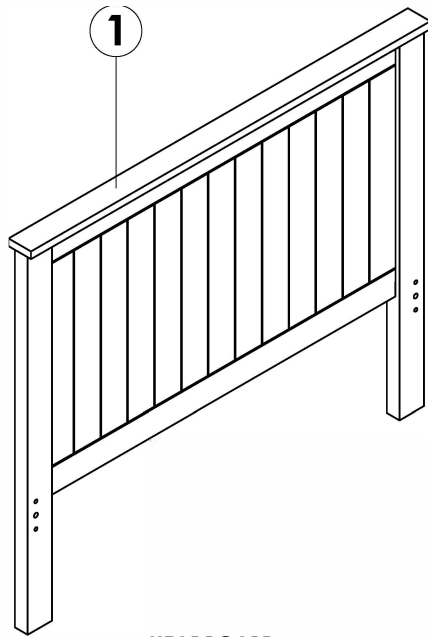
(990 x 1905)MM



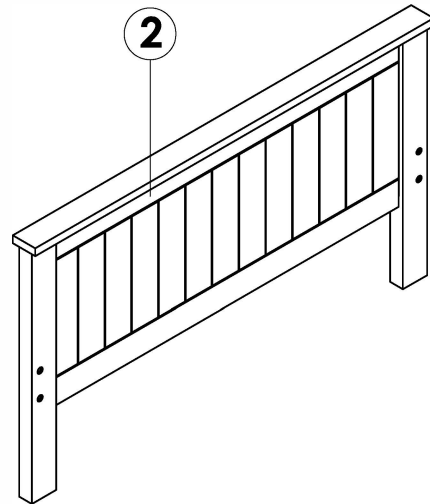
HARDWARE LIST

<p>A 4 PCS</p>  <p>PLASTIC DOWEL (M10 x 35MM)</p>	<p>B 8 PCS</p>  <p>JCBC BOLT (M6 x 60MM)</p>	<p>C 8 PCS</p>  <p>JRN NUT (M6 x 13MM)</p>
<p>D 6 PCS</p>  <p>CSK C/B SCREW (M4 x 32MM)</p>	<p>E 1 PC</p>  <p>ALLEN KEY (M4 x 60MM)</p>	 <p>Do not recommend the use of power drills/drivers for inserting bolts/screws as this could damage the unit.</p> <p>Tools Required : Crosshead Screw Driver</p>

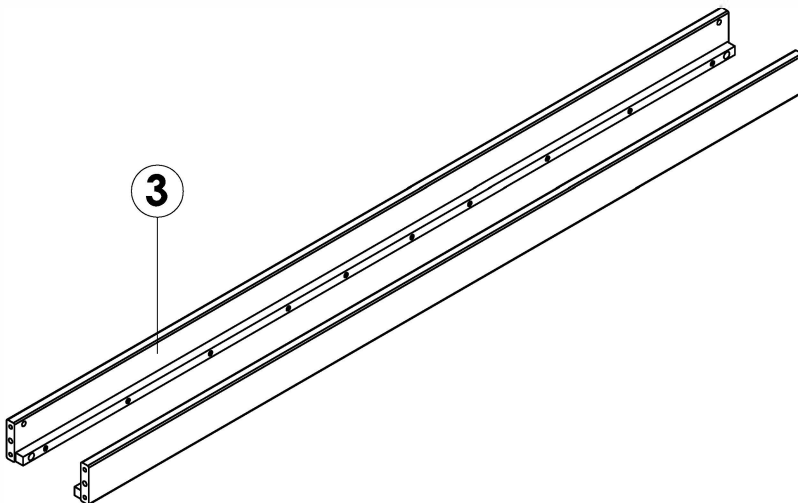
PART LIST



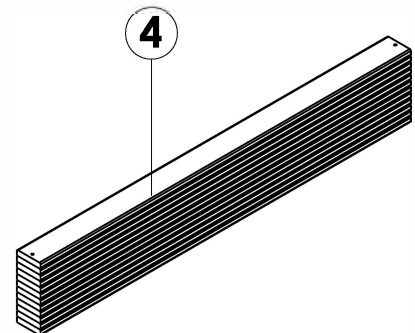
HEADBOARD
1 PC / SET
(CARTON 1 OF 2)



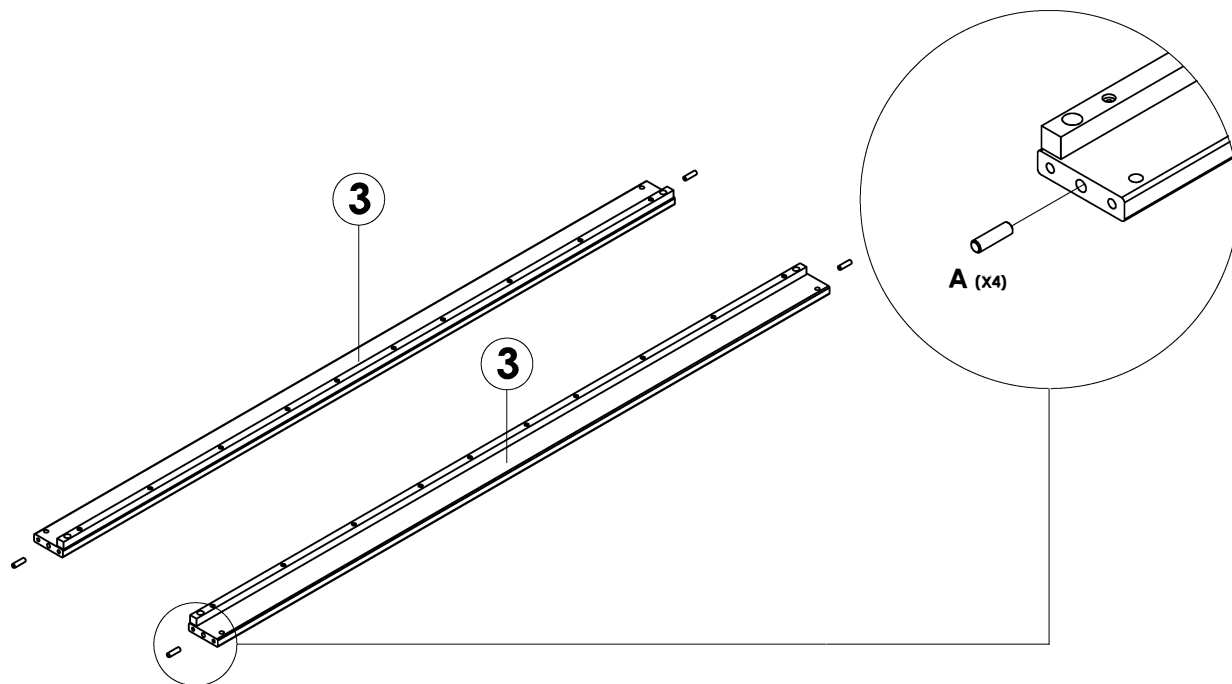
FOOTBOARD
1 PC / SET
(CARTON 1 OF 2)



SIDE RAIL
2 PCS / SET
(CARTON 2 OF 2)

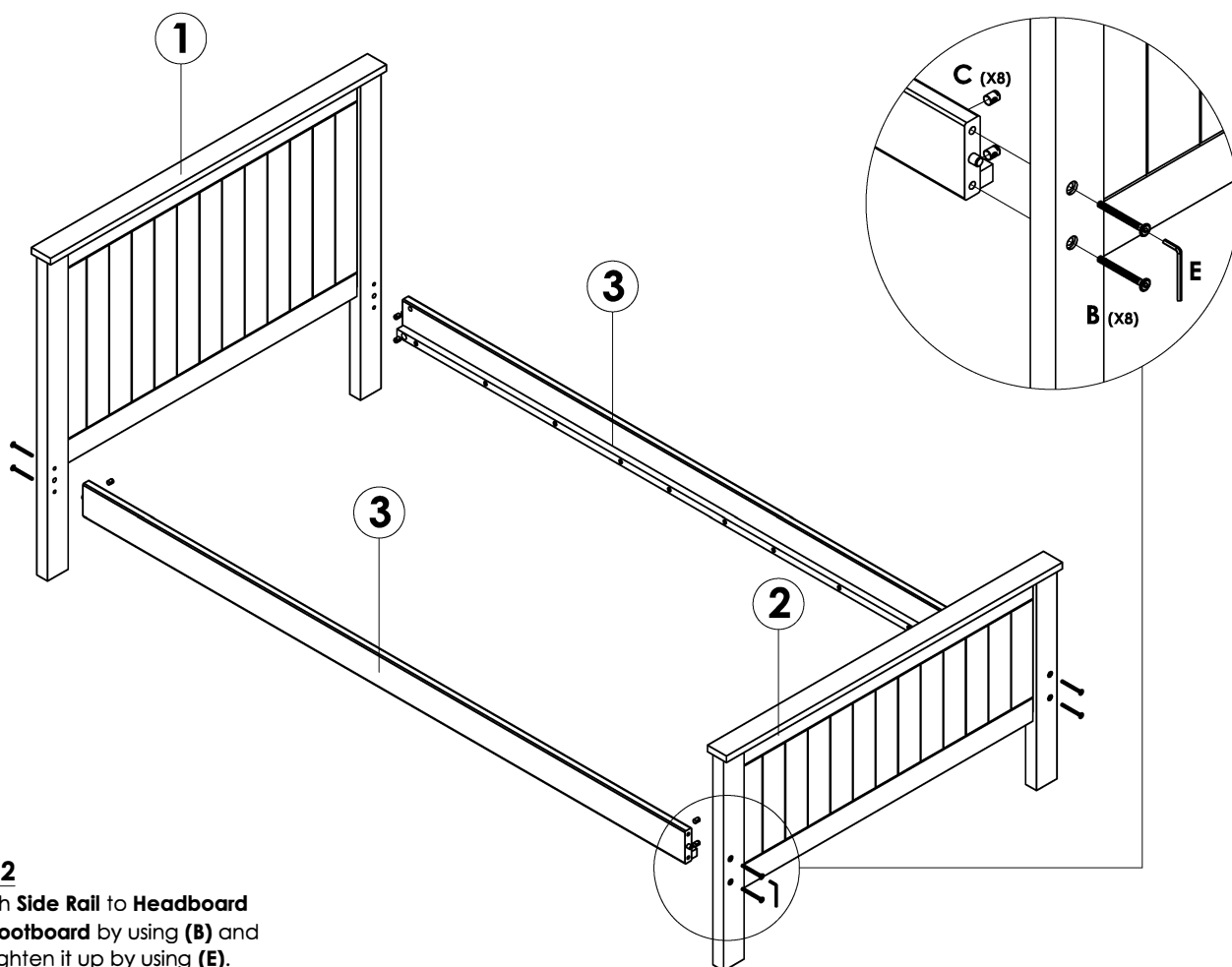


WOODEN SLAT
12 PCS / SET
(CARTON 1 OF 2)



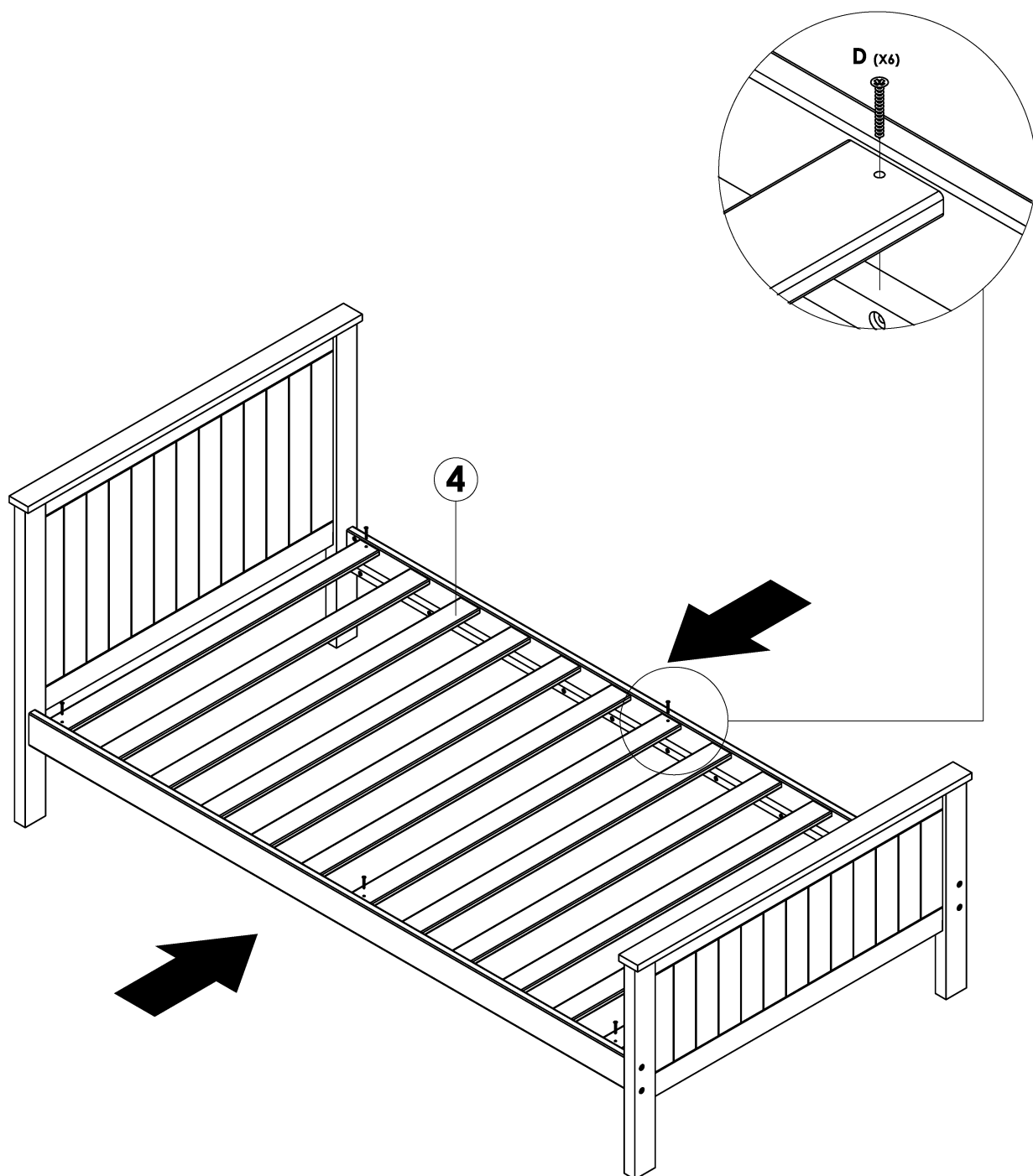
STEP 1

Insert **(A)** into Ø10MM holes on both **Side Rail**.



STEP 2

Attach **Side Rail** to **Headboard** and **Footboard** by using **(B)** and **(C)**, tighten it up by using **(E)**.



STEP 3

Attach and secure **Wooden Slat** onto both **Side Rail** by using **(D)**, tighten it up by using a Crosshead Screw Driver.

Align both **Side Rail before tightening the screws.*