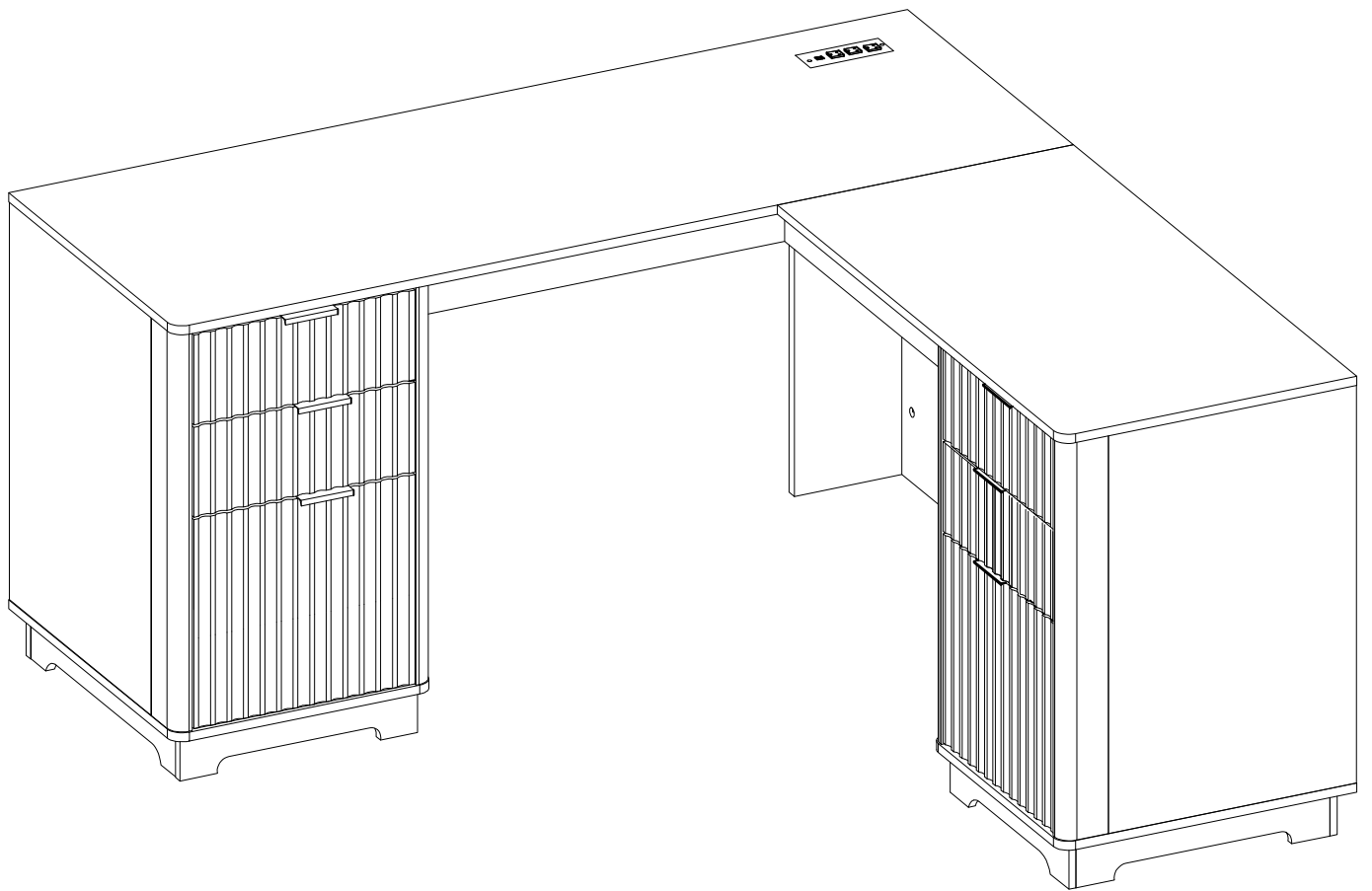
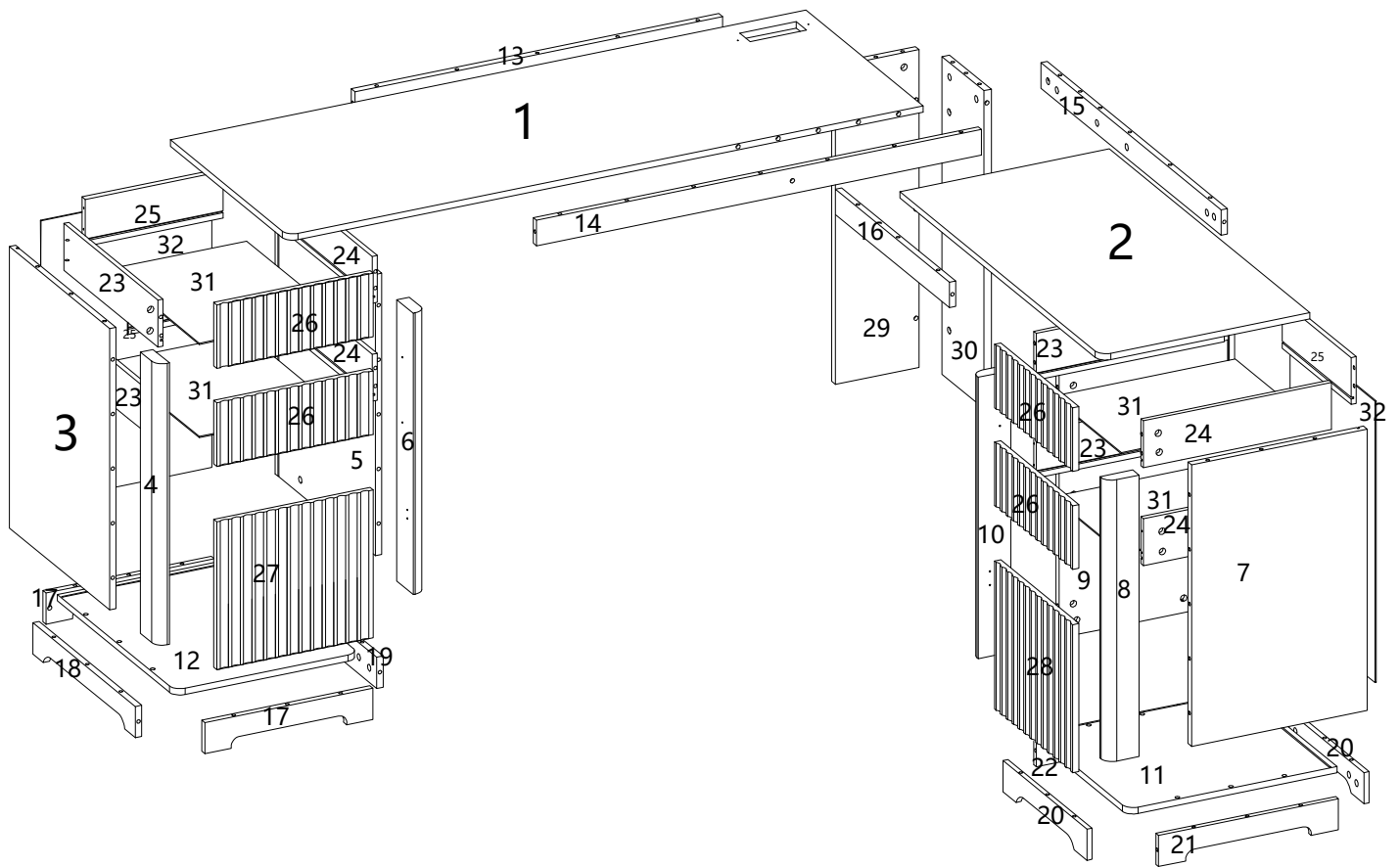


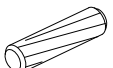


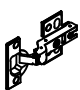
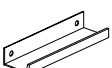
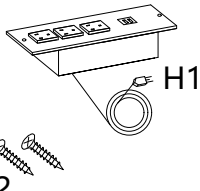
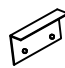
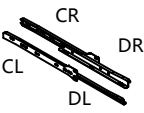
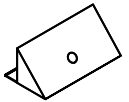




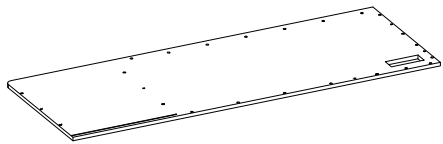
Installation & Assembly





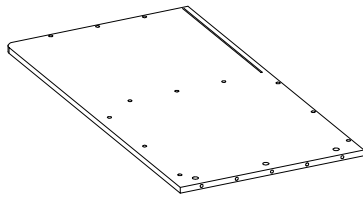
<p>A A2</p>  <p>A1</p> <p>82PCS</p>	<p>B B2</p>  <p>B1</p> <p>16PCS</p>	<p>C</p>  <p>∅8*30mm 39PCS</p>	<p>D</p>  <p>M3.5*12mm 84PCS</p>	<p>E</p>  <p>M3.5*30mm 16PCS</p>	<p>F</p>  <p>4PCS</p>	<p>G</p>  <p>6PCS</p>	<p>H</p>  <p>H1</p> <p>H2</p> <p>1PC</p>
<p>I</p>  <p>2PCS</p>	<p>J</p>  <p>CR DR CL DL</p> <p>L=450mm</p> <p>4PCS</p>	<p>K</p>  <p>12PCS</p>	<p>L</p>  <p>12PCS</p>	<p>M</p>  <p>82PCS</p>			

1



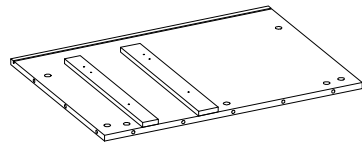
1521*561*15mm 1PC

2



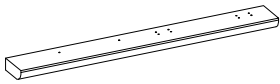
960*501*15mm 1PC

3



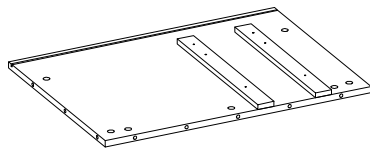
660*480*30mm 1PC

4



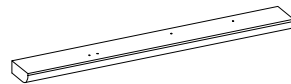
660*78.5*30mm 1PC

5



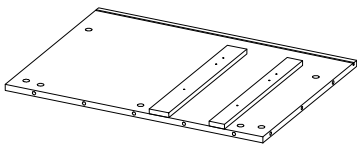
660*480*30mm 1PC

6



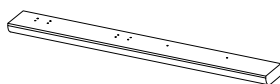
660*78.5*30mm 1PC

7



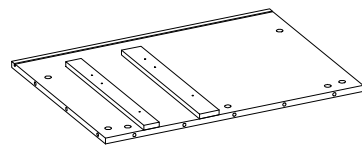
660*420*30mm 1PC

8



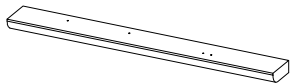
660*78.5*30mm 1PC

9



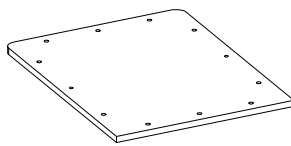
660*420*30mm 1PC

10

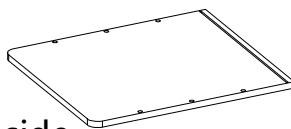


660*78.5*30mm 1PC

11



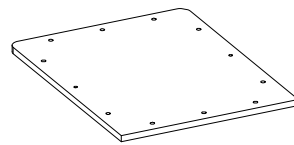
the other side



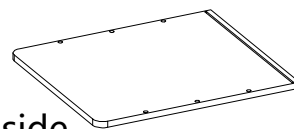
one side

500*440*15mm 1PC

12



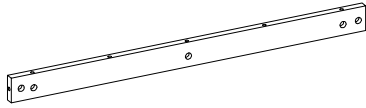
the other side



one side

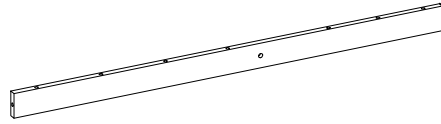
560*440*15mm 1PC

13



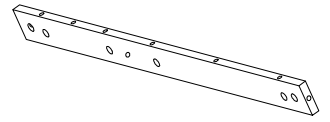
880*60*15mm 1PC

14



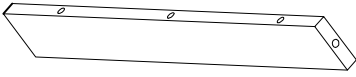
1065*60*15mm 1PC

15



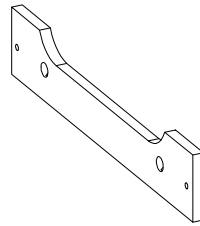
865*60*15mm 1PC

16



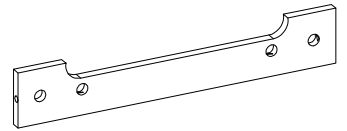
545*60*15mm 1PC

17



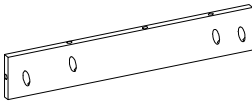
402*73*15mm 2PCS

18



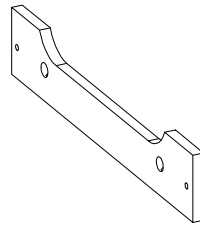
490*73*15mm 1PC

19



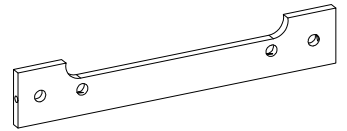
490*73*15mm 1PC

20



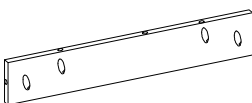
402*73*15mm 2PCS

21



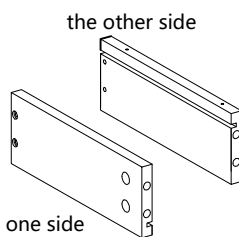
430*73*15mm 1PC

22



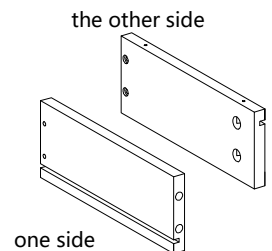
430*73*15mm 1PC

23



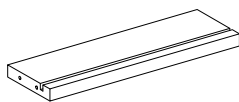
450*110*12mm 4PCS

24



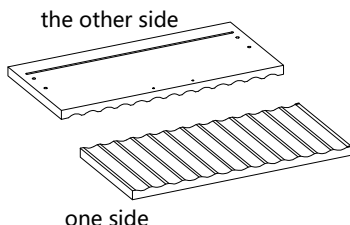
450*110*12mm 4PCS

25



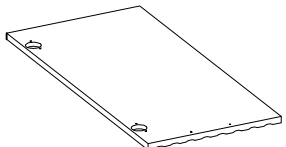
330*110*12mm 4PCS

26



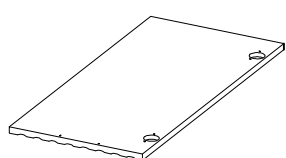
149*374*15mm 4PCS

27



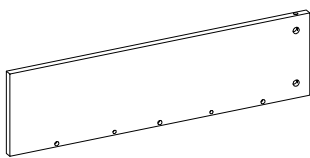
347*374*15mm 1PC

28



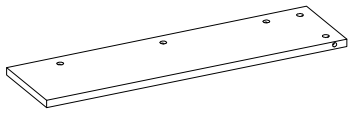
347*374*15mm 1PC

29



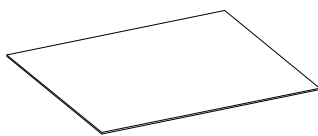
745*200*15mm 1PC

30



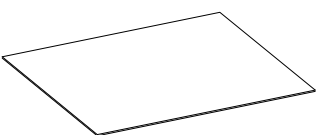
745*200*15mm 1PC

31



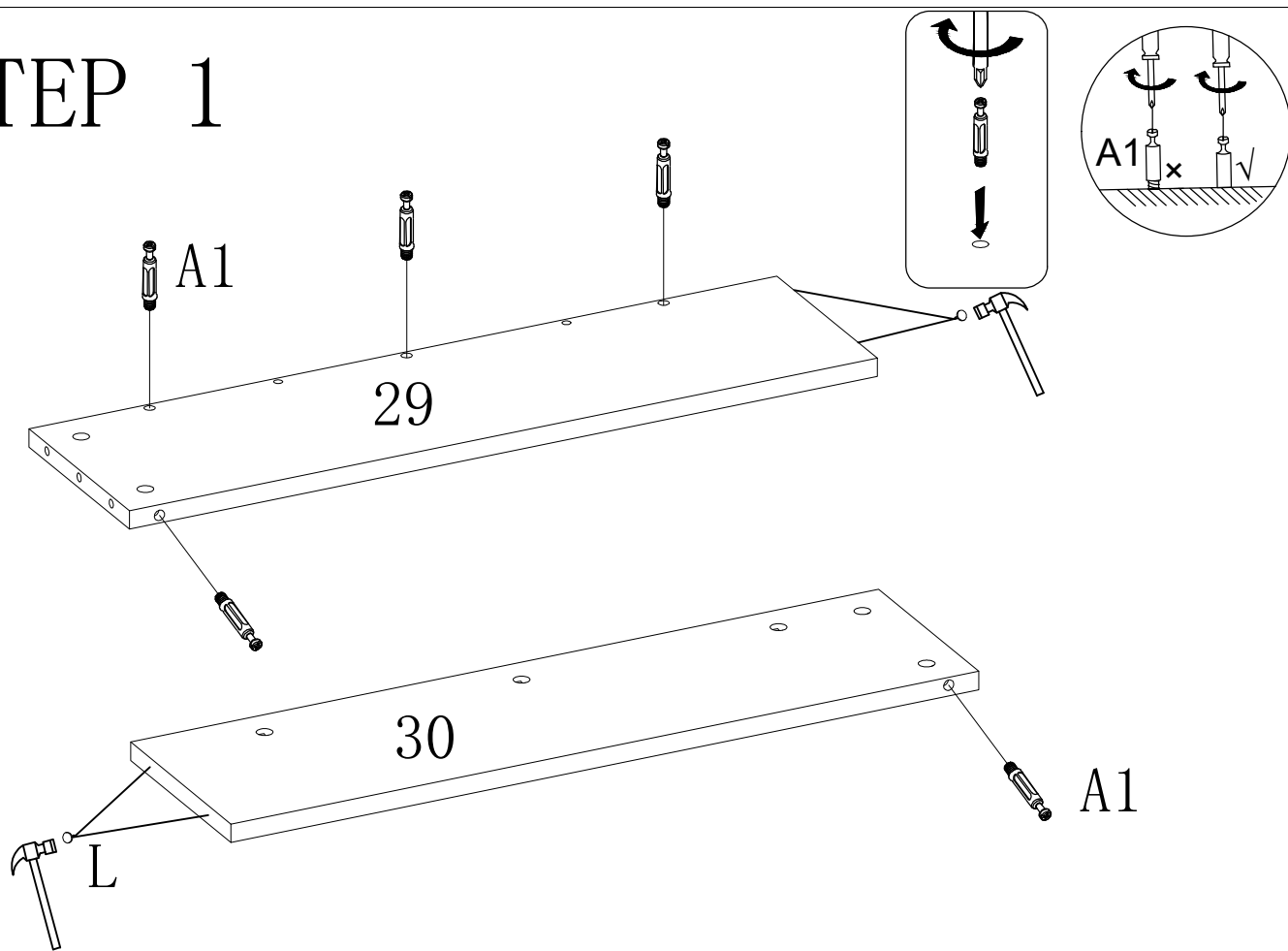
447*340*3mm 4PCS

32



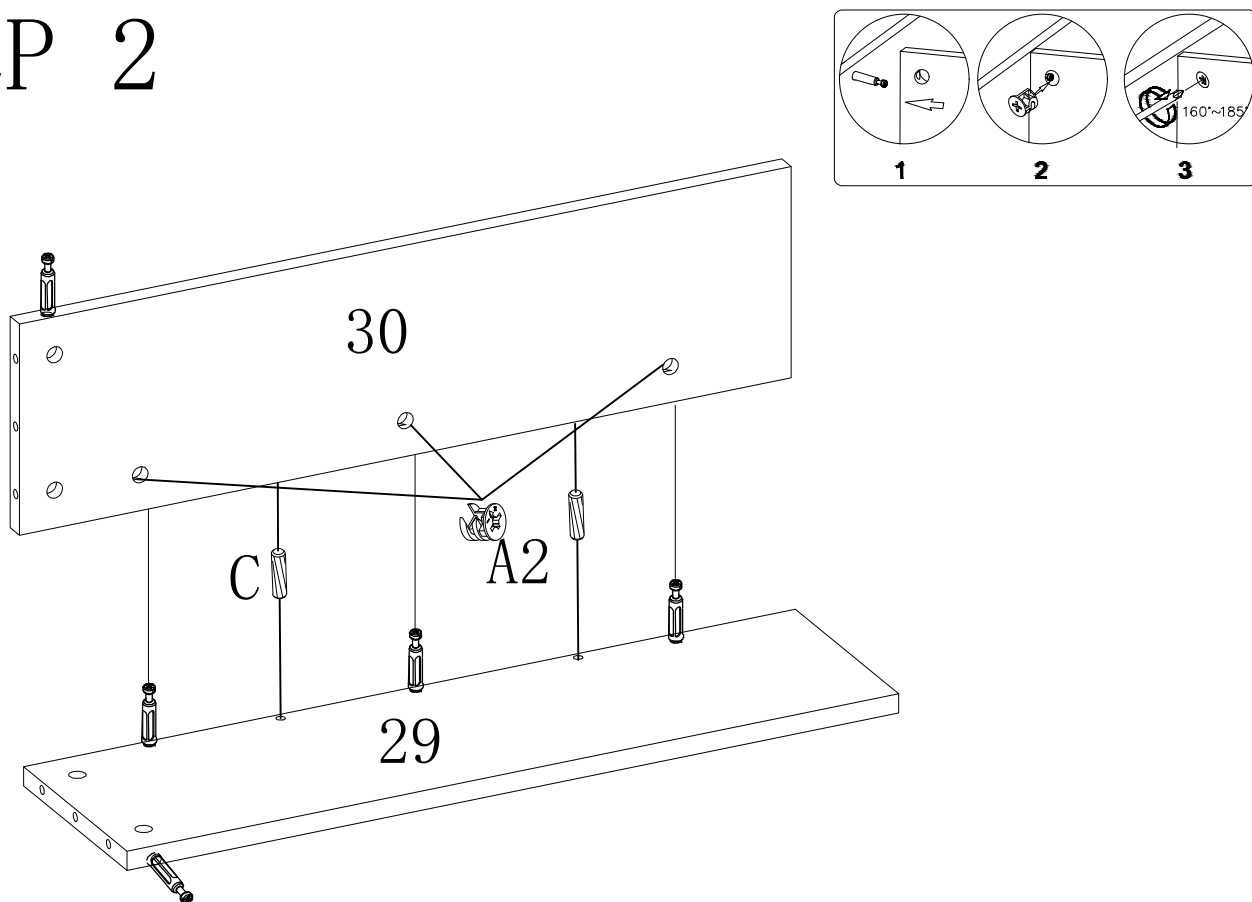
670*417*3mm 2PCS

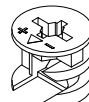
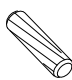
STEP 1



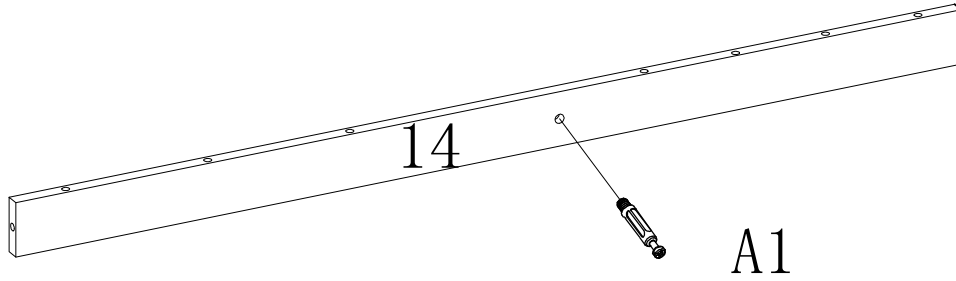
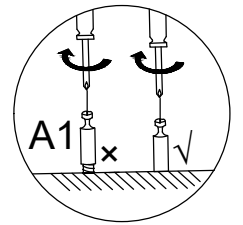
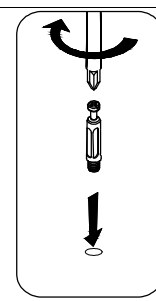
	L × 4PCS		A1 × 5PCS
---	----------	---	-----------

STEP 2



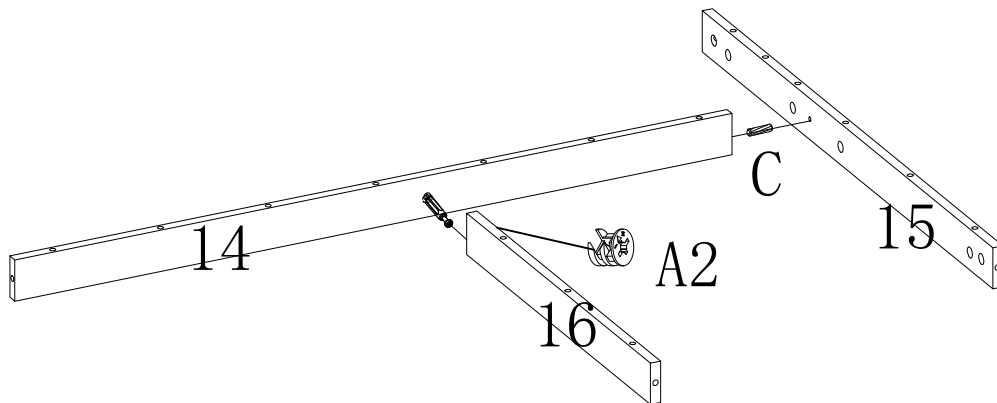
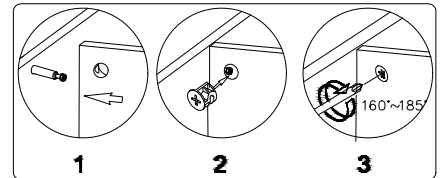
	A2 × 3PCS		C × 2PCS
---	-----------	---	----------

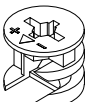
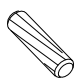
STEP 3



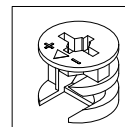
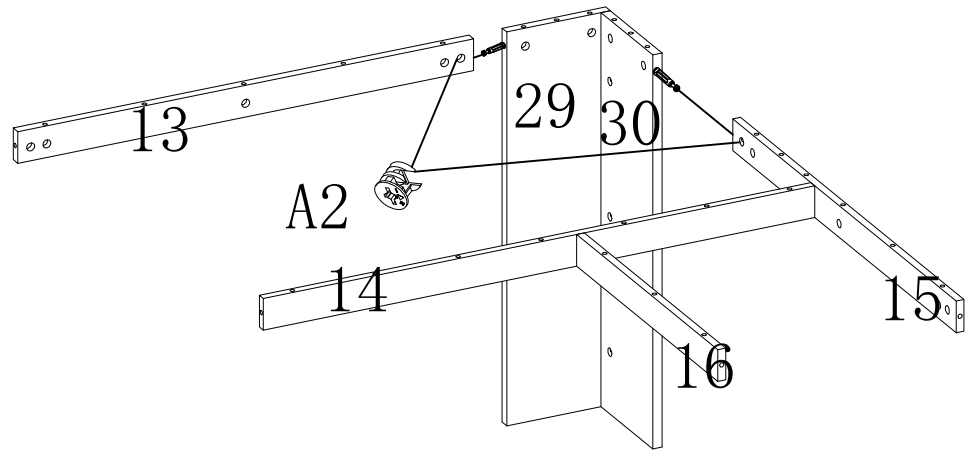
	A1 × 1PC
---	----------

STEP 4



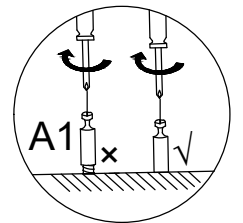
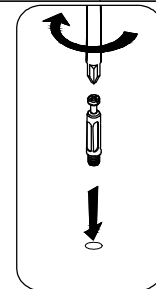
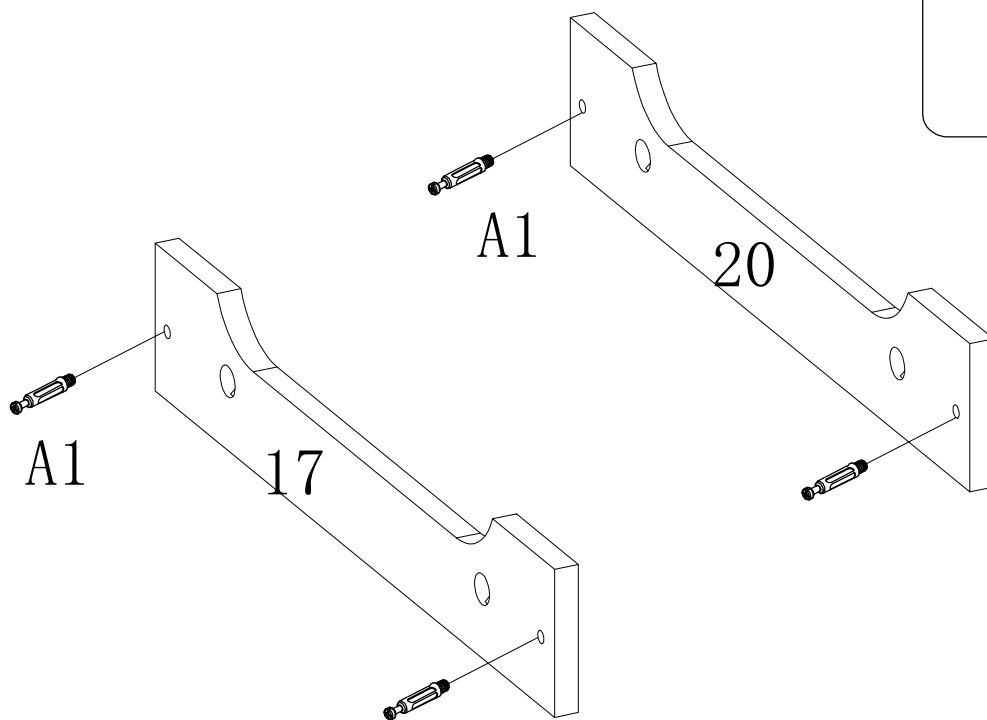
	A2 × 1PC		C × 1PC
---	----------	---	---------

STEP 5



A2 × 2PCS

STEP 6

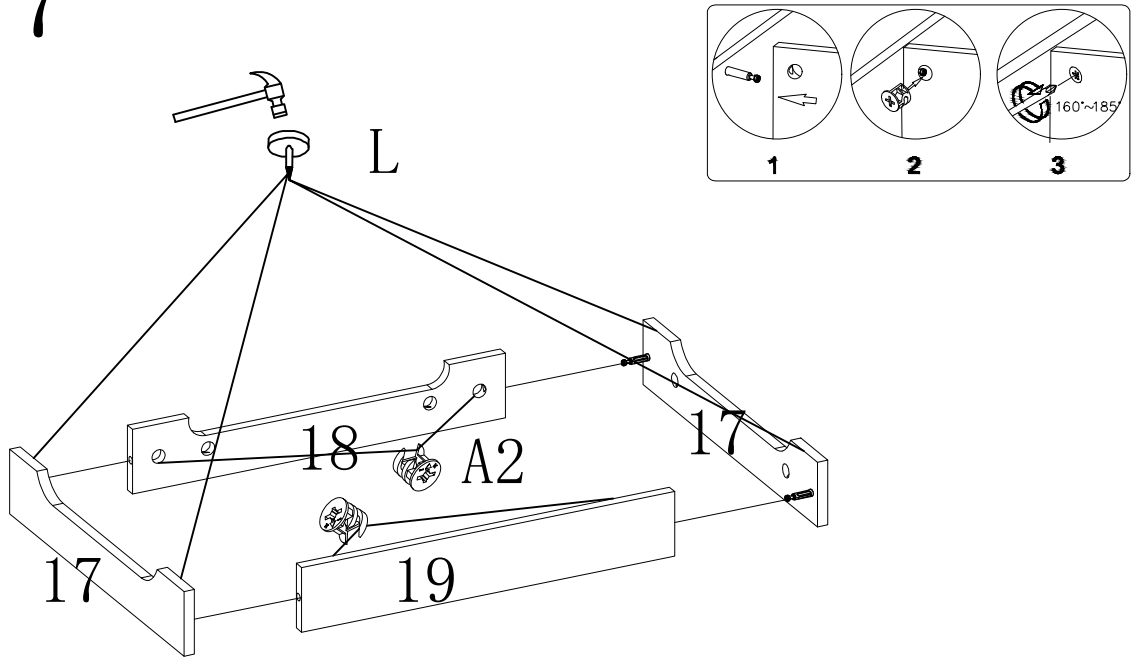




X 2



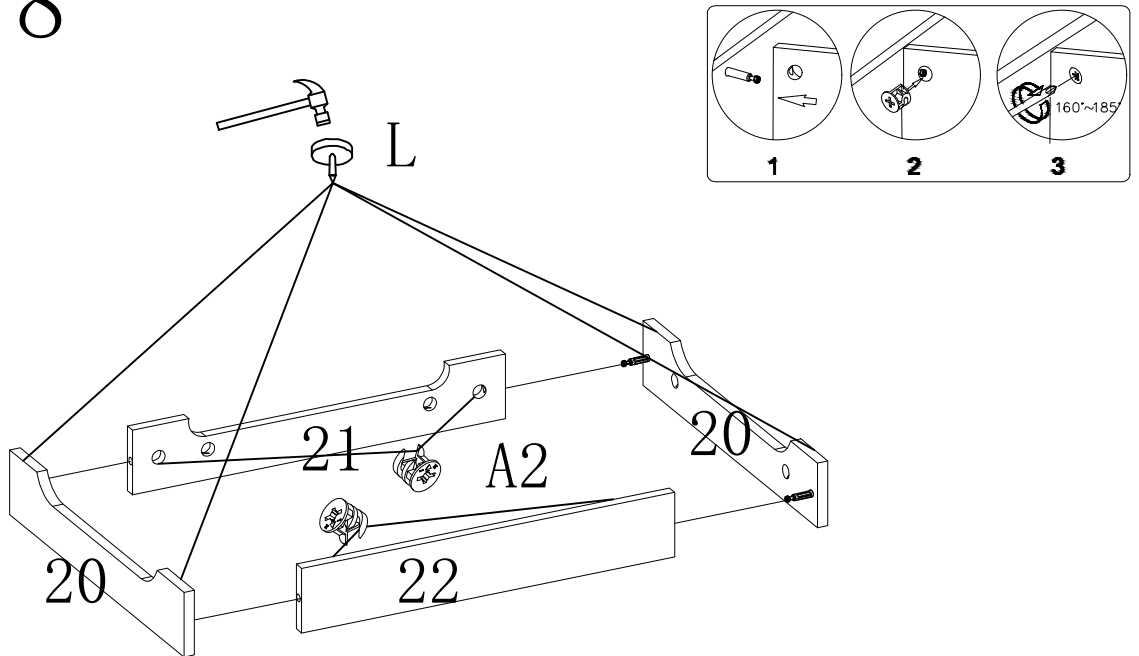
A1 × 8PCS


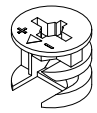
STEP 7



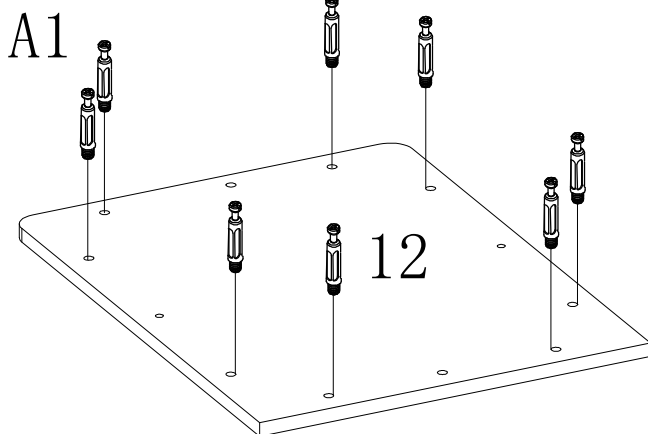
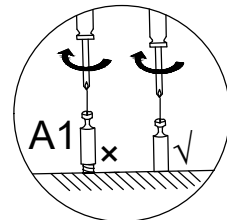
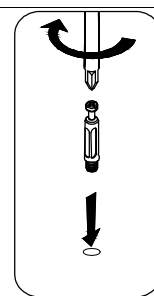
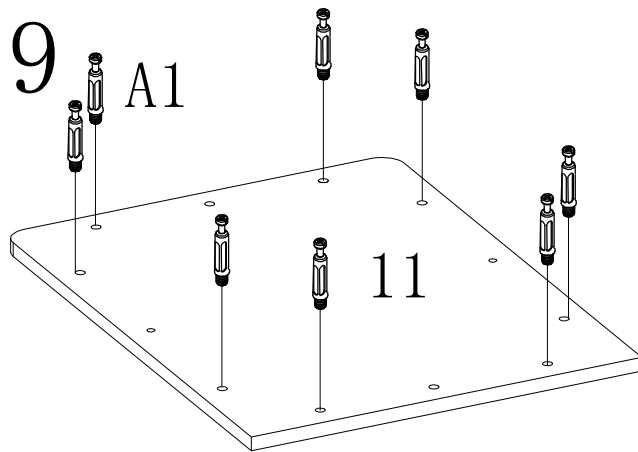
	L × 4PCS		A2 × 4PCS
---	----------	--	-----------


STEP 8



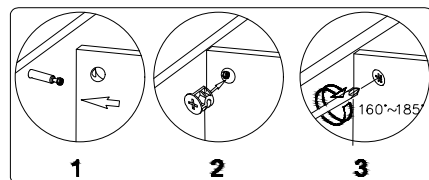
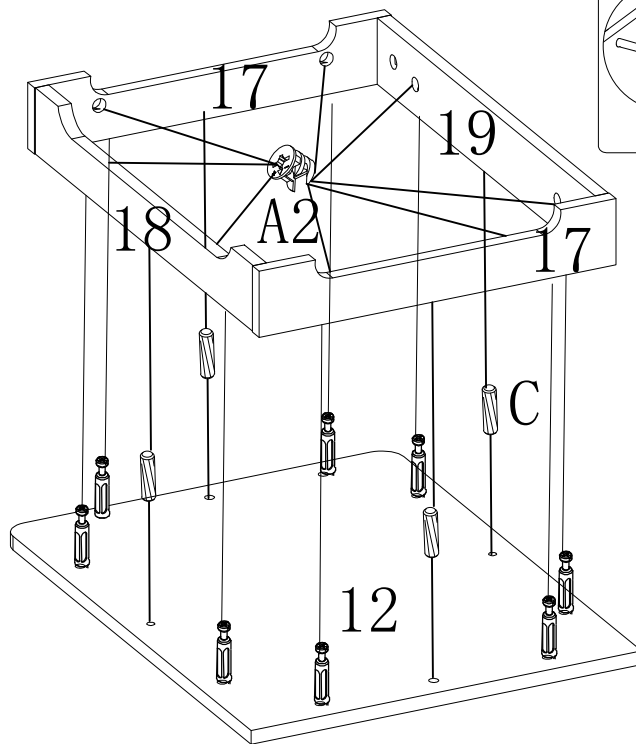
	L × 4PCS		A2 × 4PCS
---	----------	---	-----------


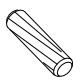
STEP 9



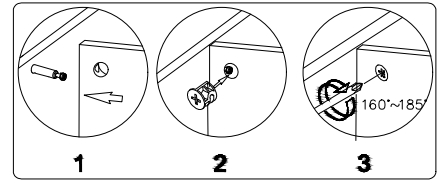
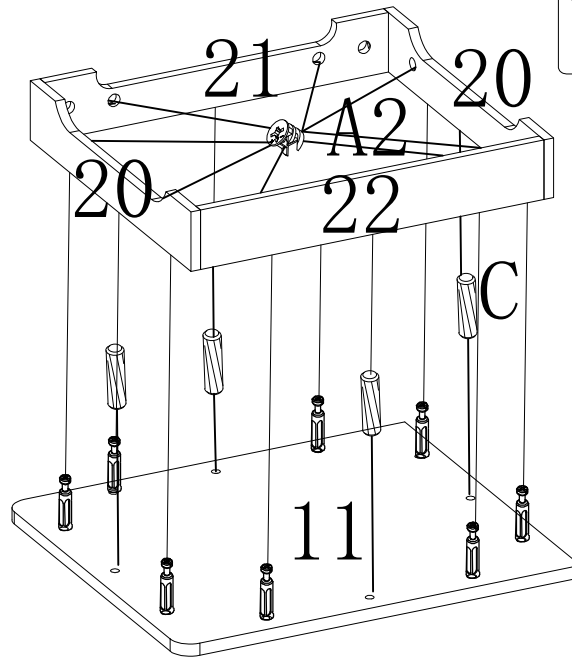
	A1 × 16PCS
---	------------

STEP 10



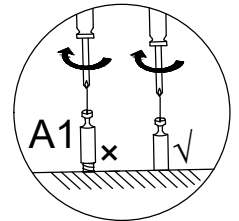
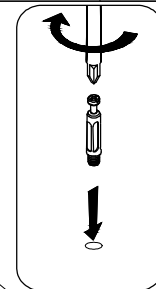
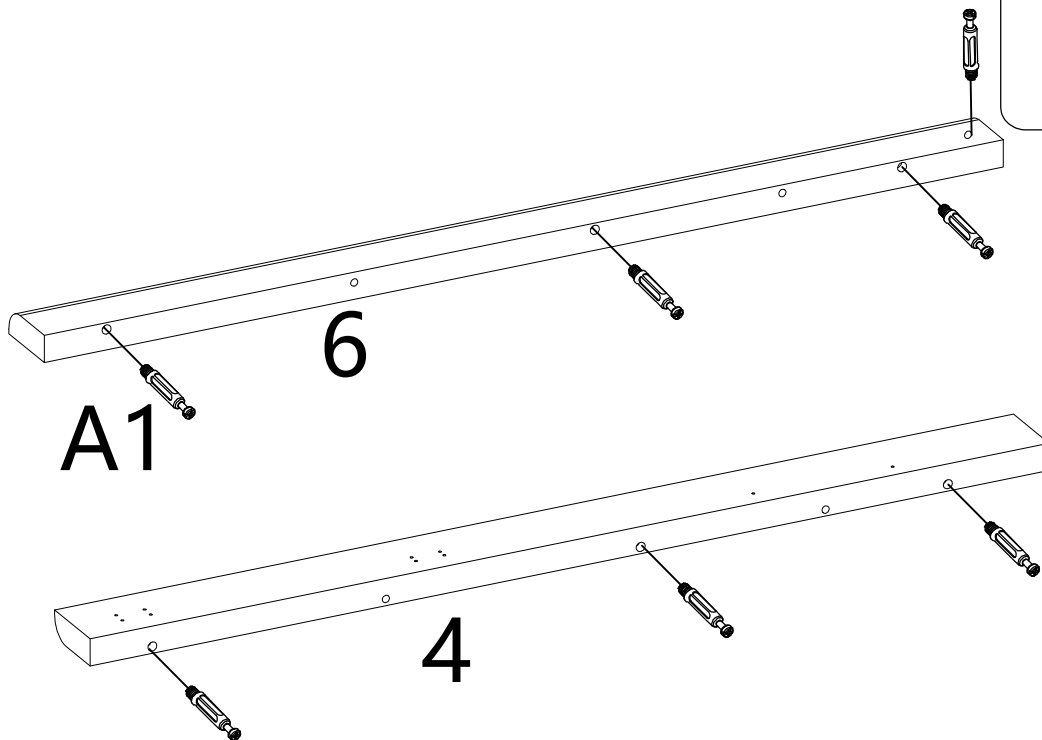
	A2 × 8PCS		C × 4PCS
---	-----------	---	----------

STEP 11



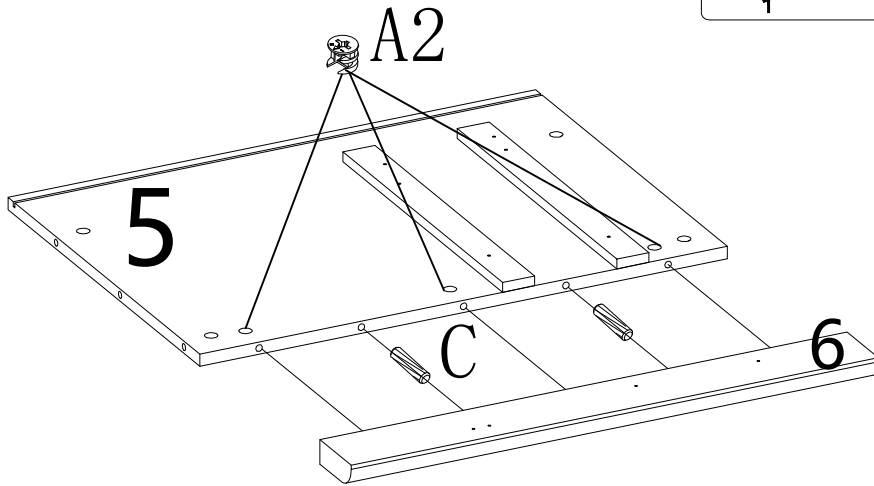
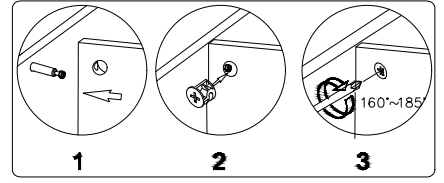
	A2 × 8PCS		C × 4PCS
--	-----------	--	----------

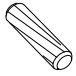
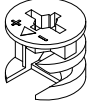
STEP 12



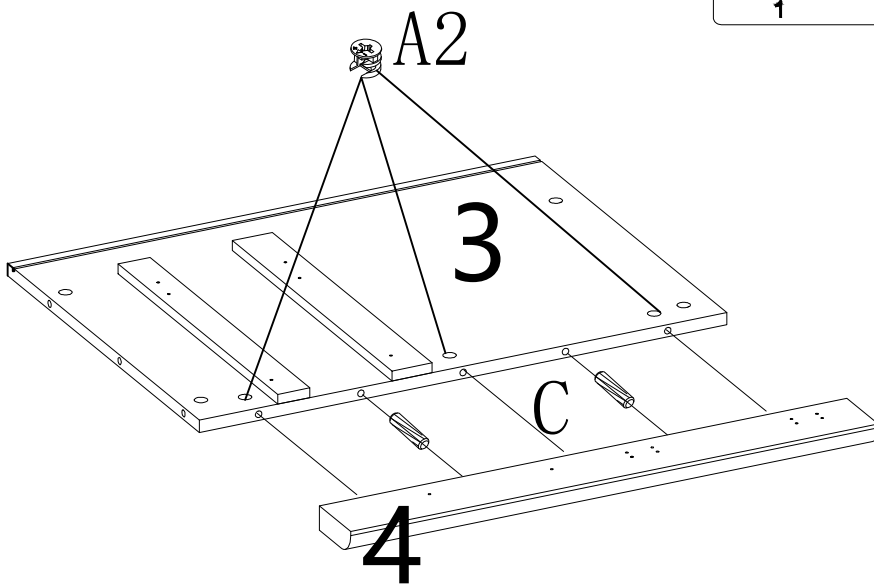
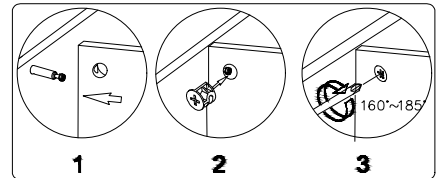
	A1 × 7PCS
--	-----------

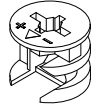
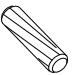
STEP 13



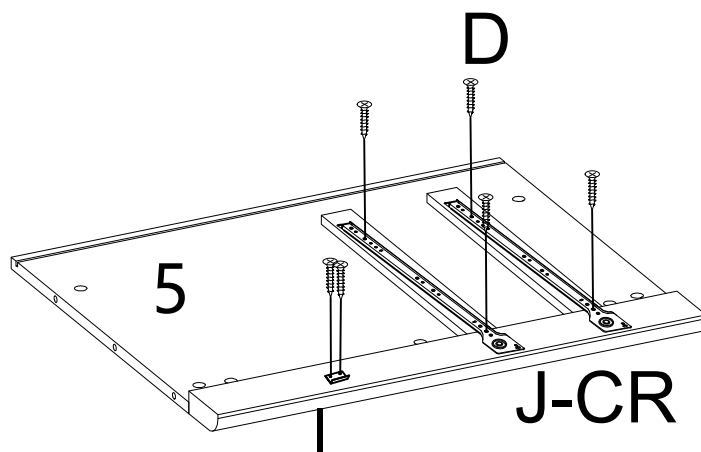
	C × 2PCS		A2 × 3PCS
---	----------	---	-----------

STEP 14



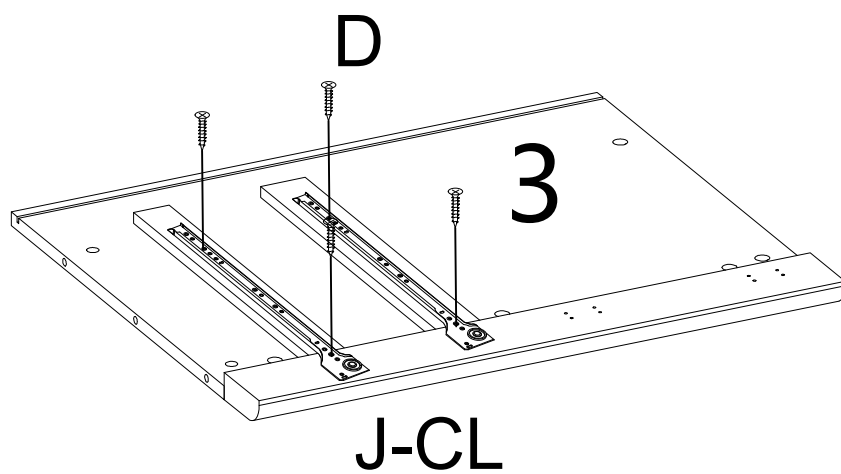
	A2 × 3PCS		C × 2PCS
---	-----------	---	----------

STEP 15



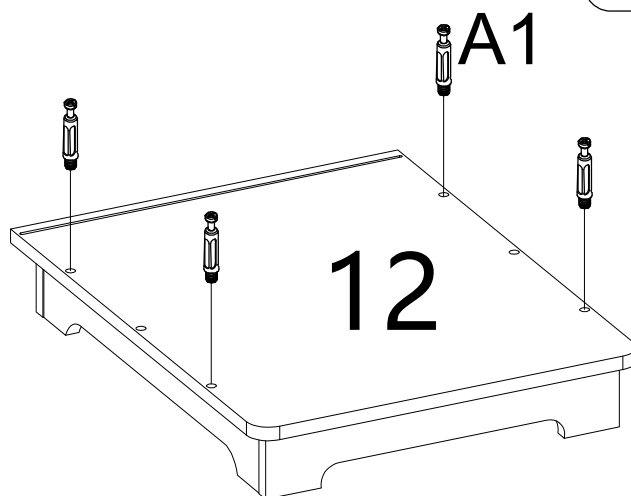
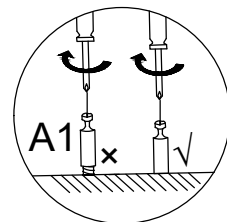
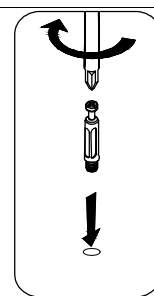
	I × 1PC		D × 6PCS		J-CR × 2PCS
--	---------	--	----------	--	-------------


STEP 16



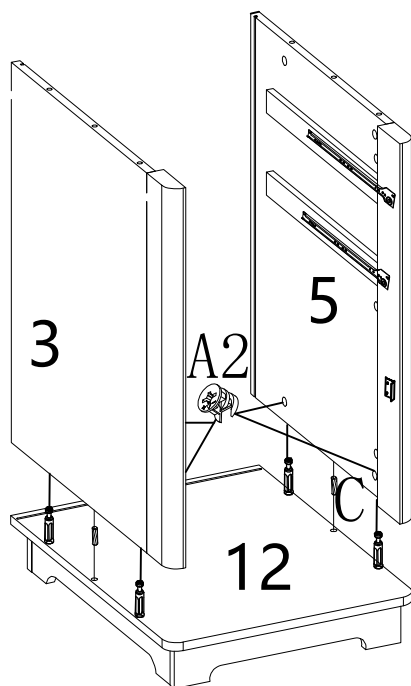
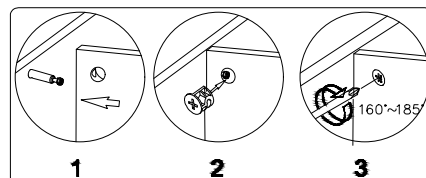
	D × 4PCS		J-CL × 2PCS
--	----------	--	-------------

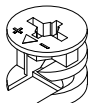
STEP 17



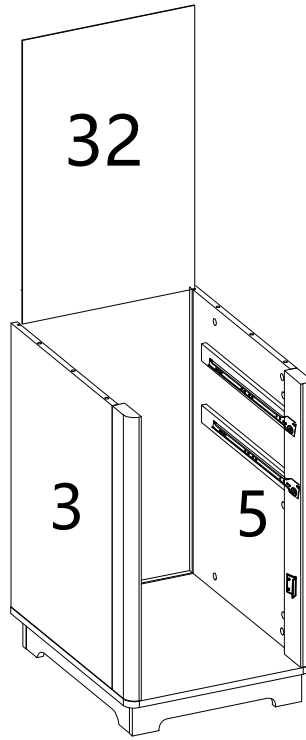
	A1 × 4PCS
---	-----------

STEP 18

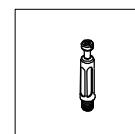
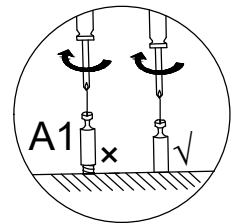
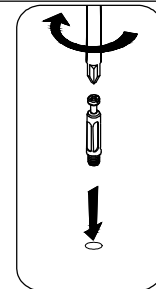
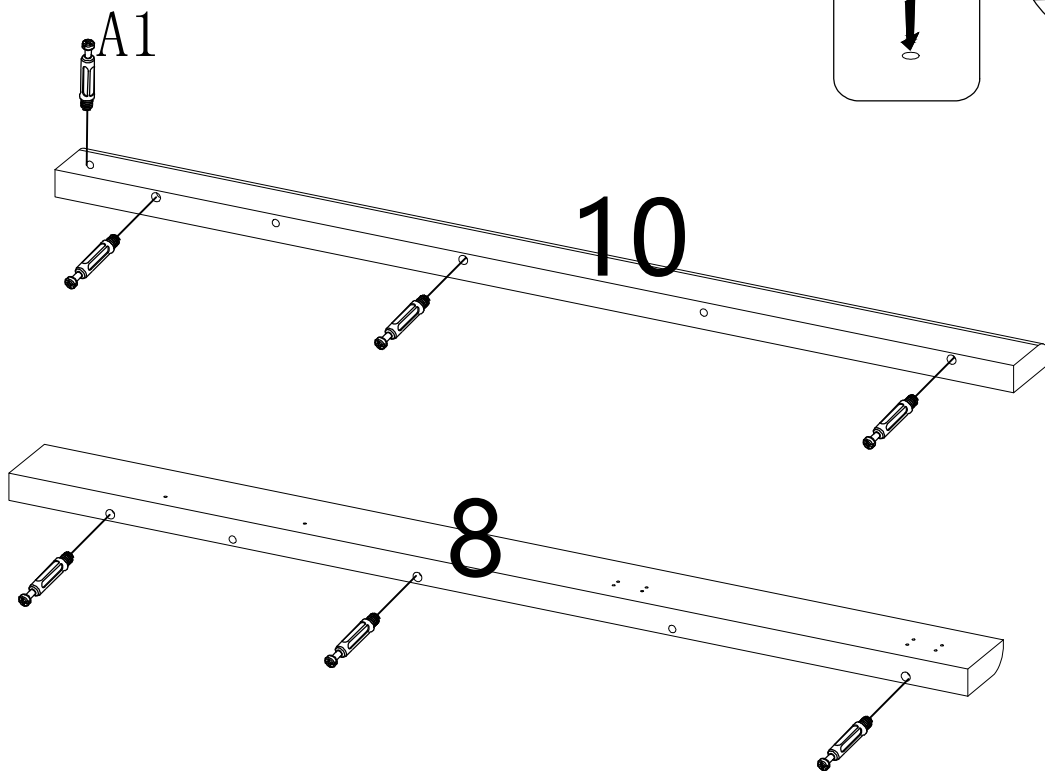


	A2 × 4PCS		C × 2PCS
---	-----------	---	----------

STEP 19

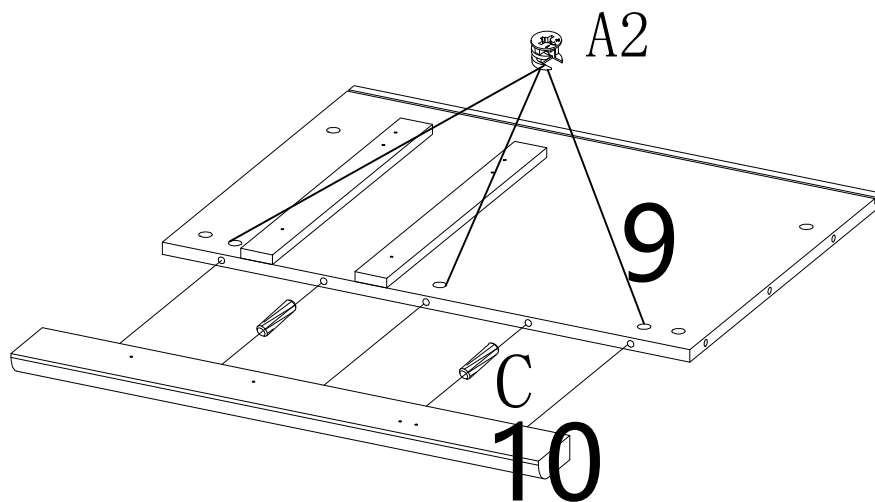




STEP 20



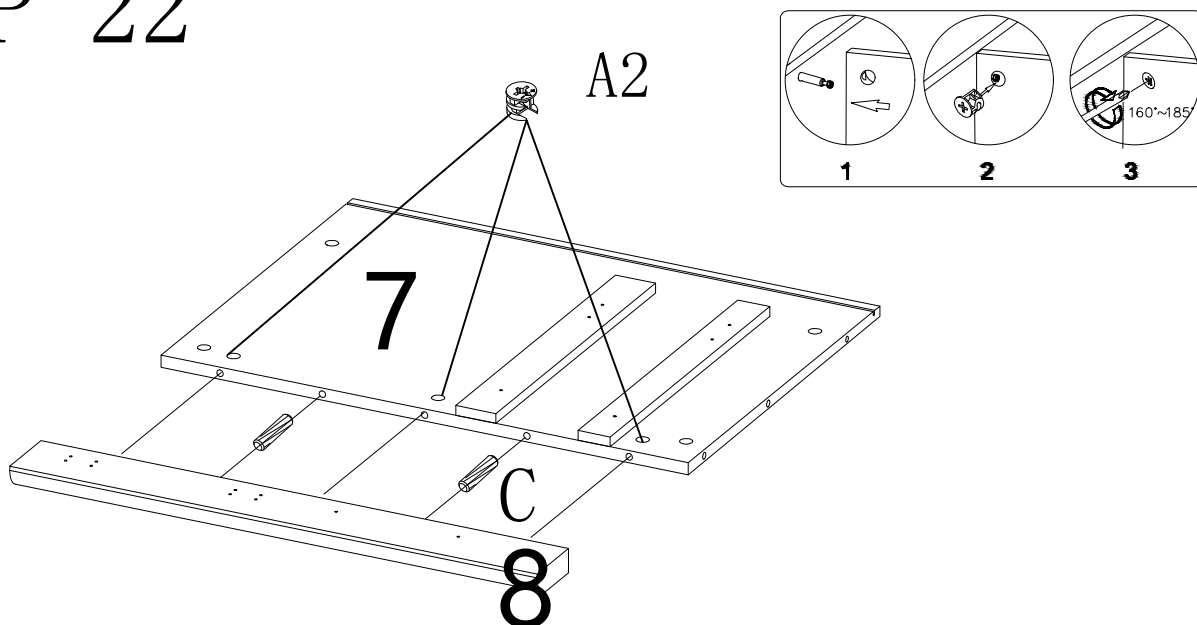
A1 × 7PCS



STEP 21



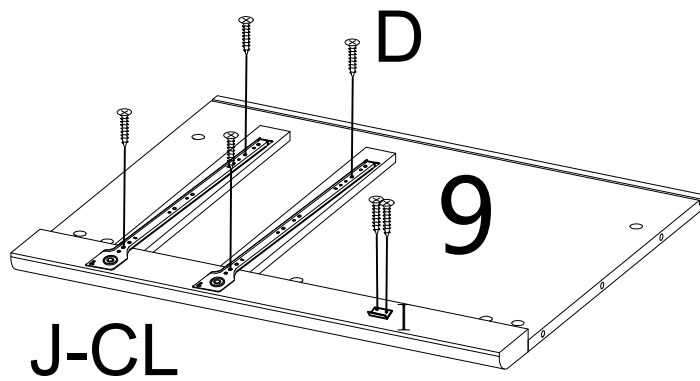
	C × 2PCS		A2 × 3PCS
---	----------	---	-----------

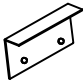


STEP 22



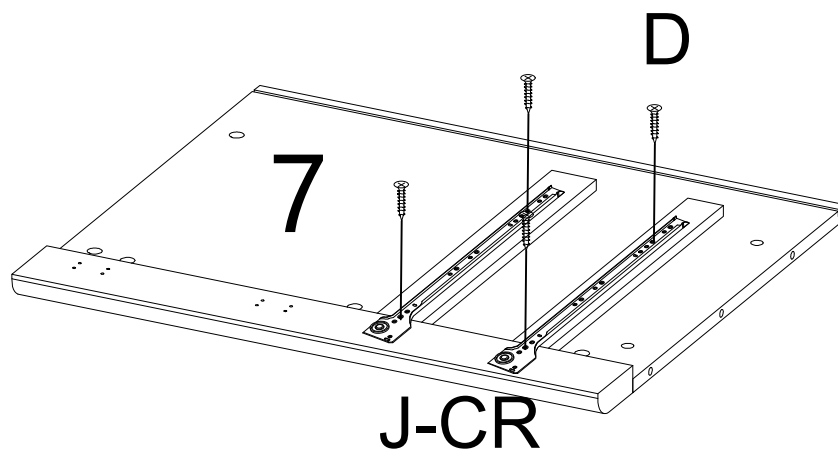
	A2 × 3PCS		C × 2PCS
---	-----------	---	----------



STEP 23



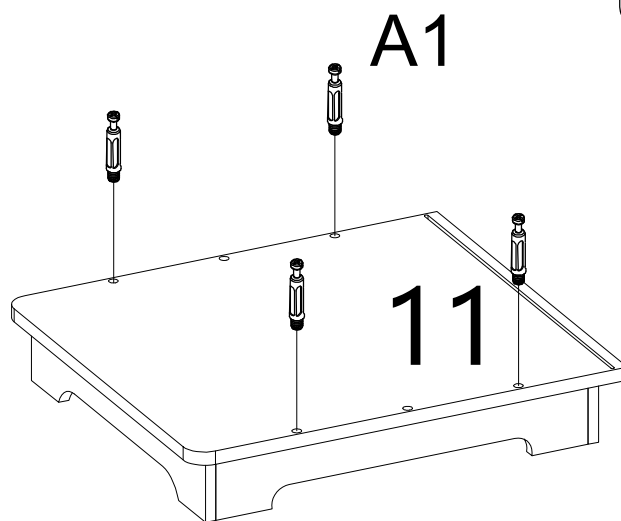
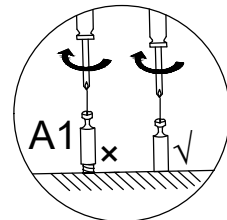
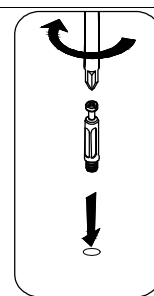
	I × 1PC		D × 6PCS		J-CL × 2PCS
---	---------	---	----------	---	-------------


STEP 24



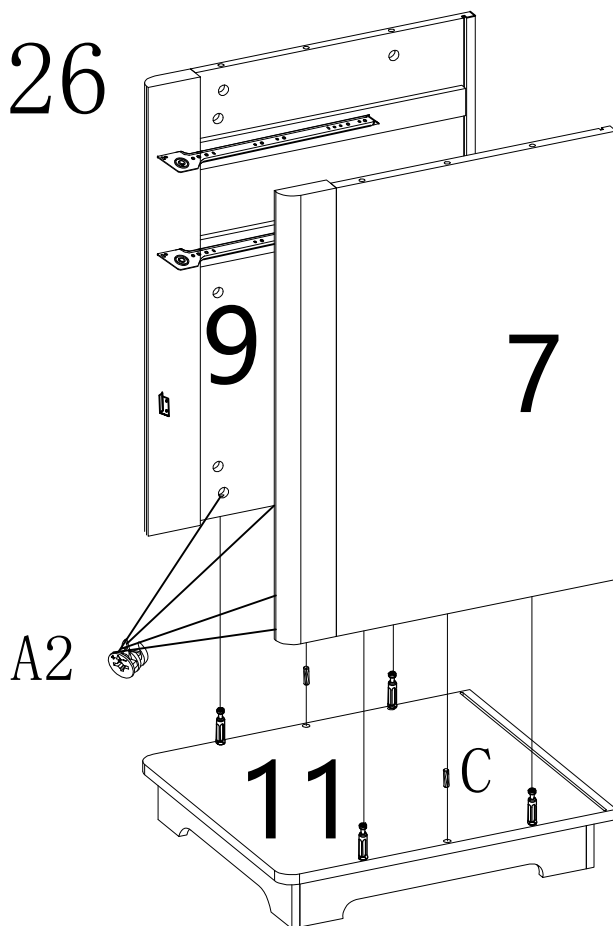
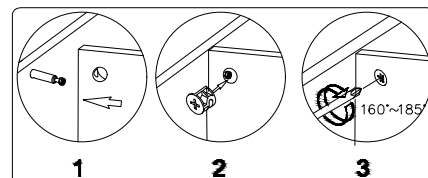
	D × 4PCS		J-CR × 2PCS
---	----------	---	-------------


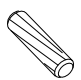
STEP 25



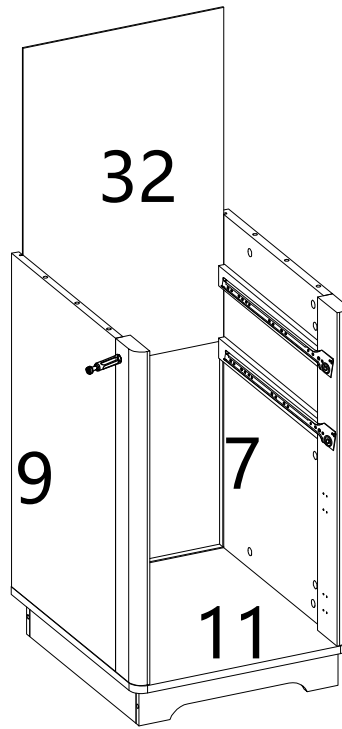
	A1 × 4PCS
---	-----------

STEP 26



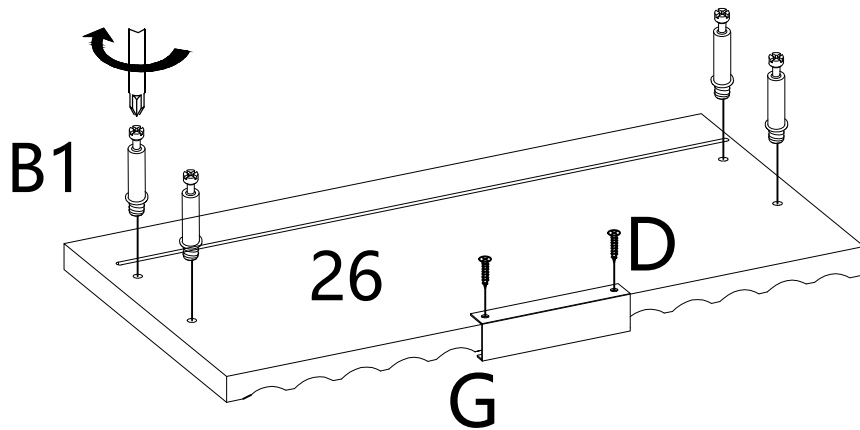
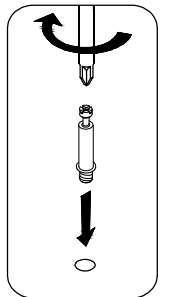
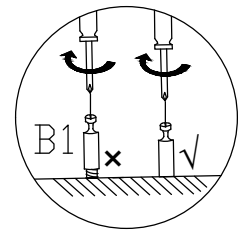
	A2 × 4PCS		C × 2PCS
---	-----------	---	----------


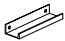

STEP 27



STEP 28

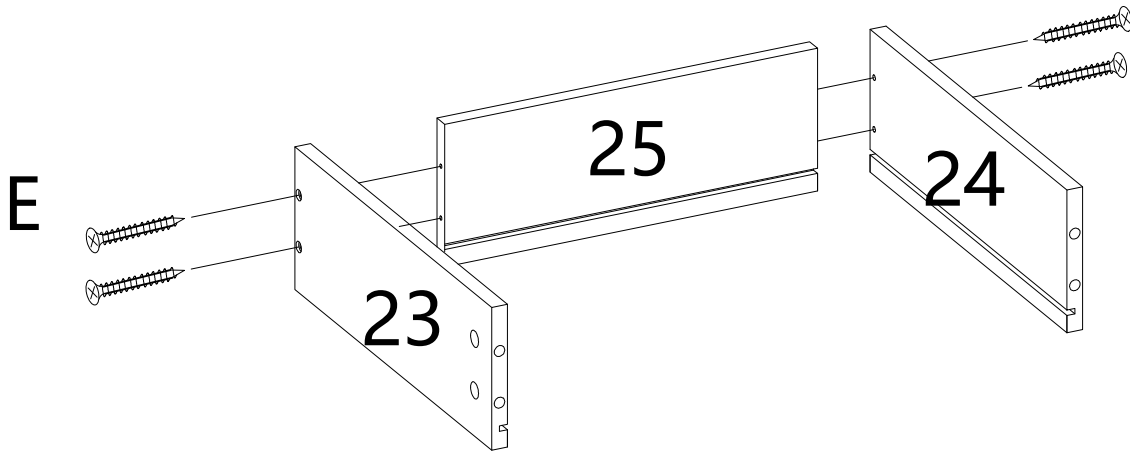
X4




	D × 8PCS		G × 4PCS		B1 × 16PCS
---	----------	---	----------	---	------------

STEP 29

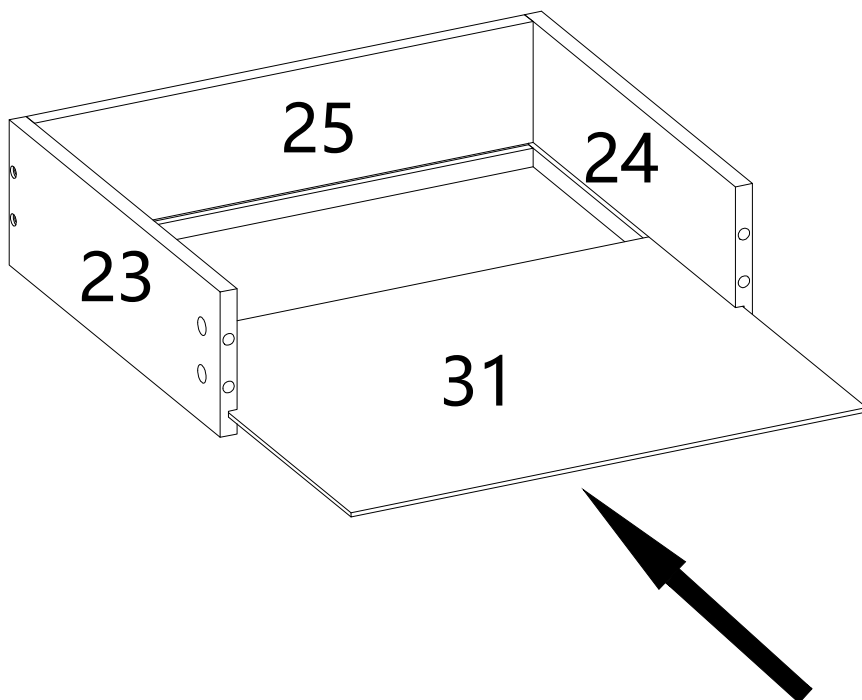
X4



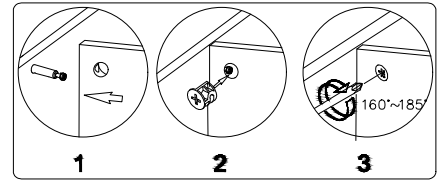
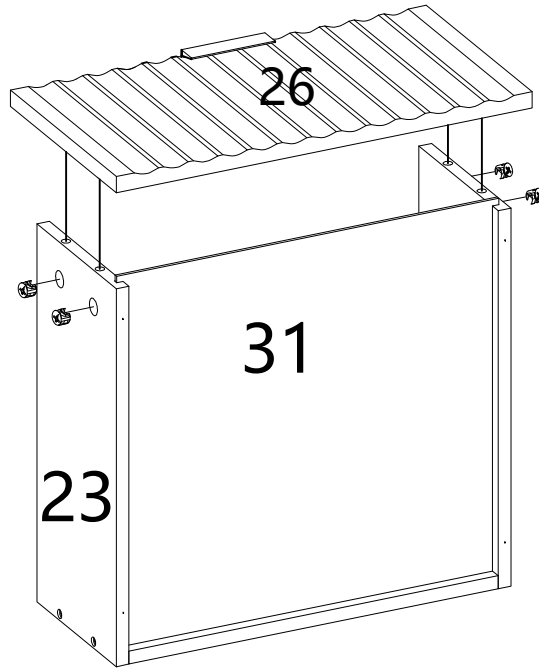
	E × 16PCS
---	-----------

STEP 30

X4

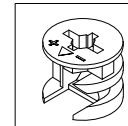


STEP 31



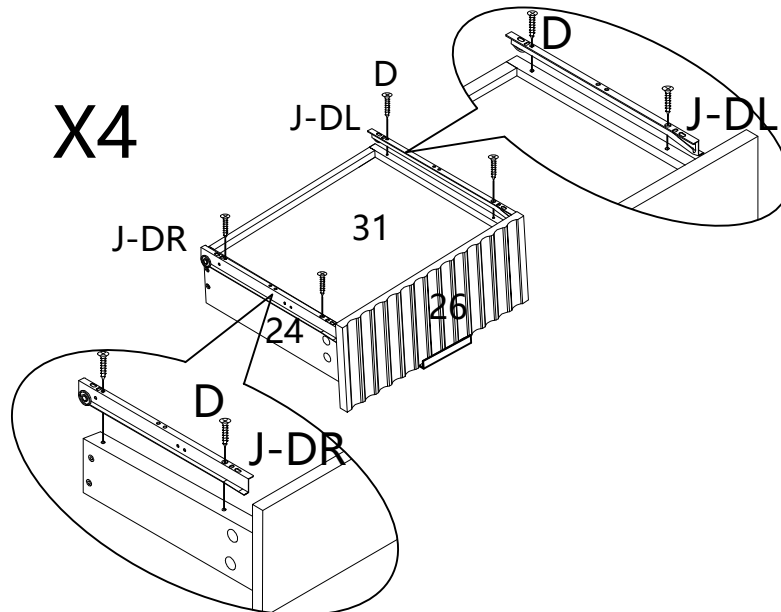
B2

X4






B2 × 16PCS

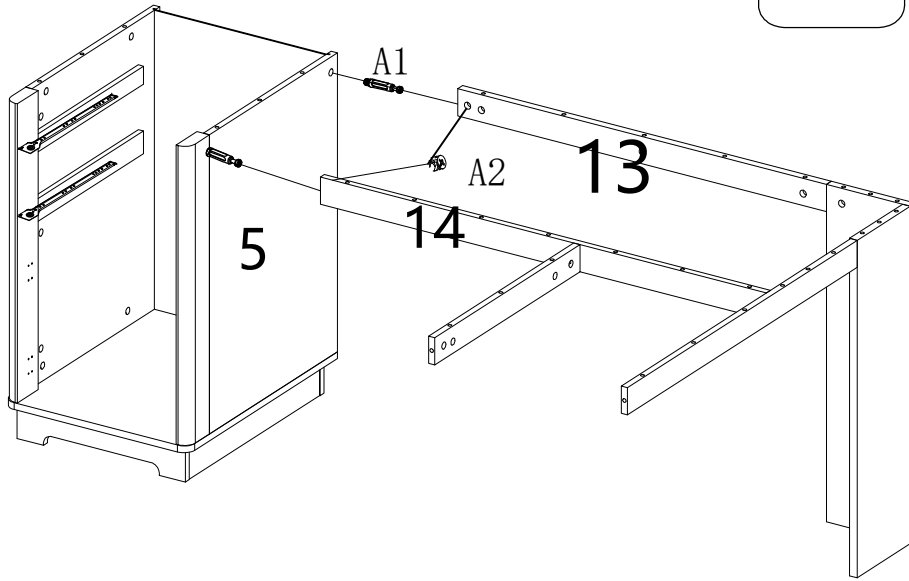
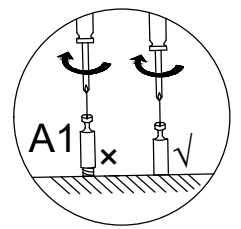
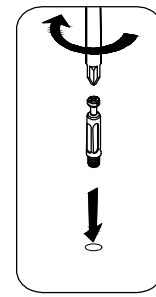
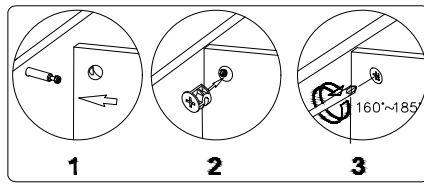
STEP 32


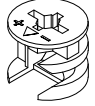


X4

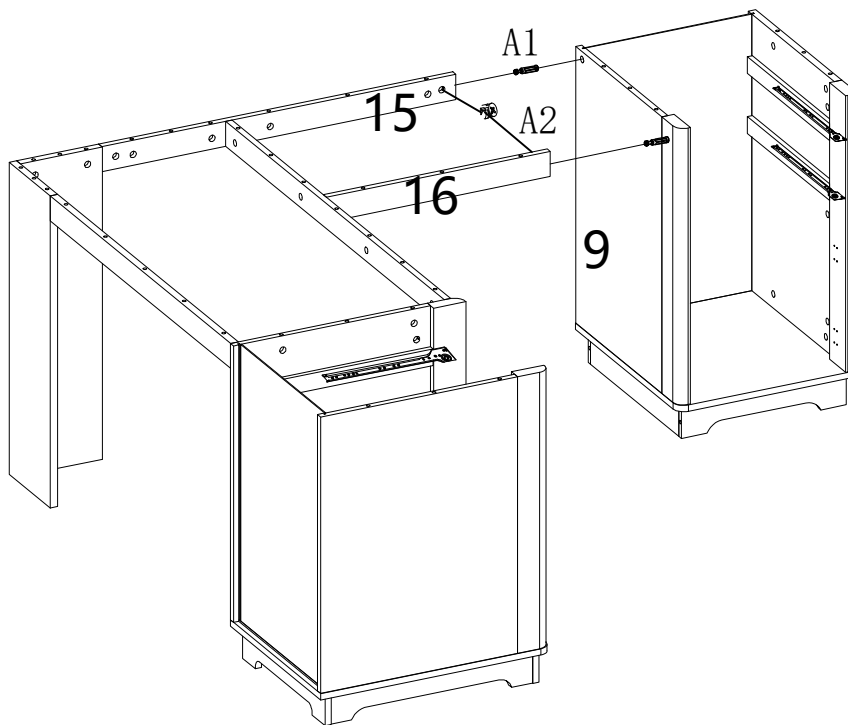
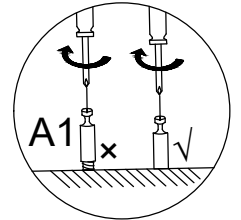
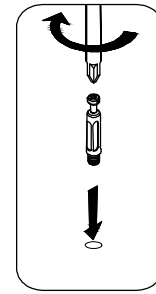
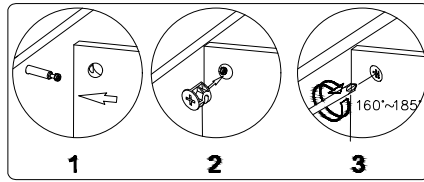
	<p>D × 16PCS</p>		<p>J-DL × 4PCS</p>		<p>J-DR × 4PCS</p>
---	------------------	---	--------------------	---	--------------------


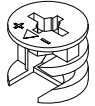
STEP 33



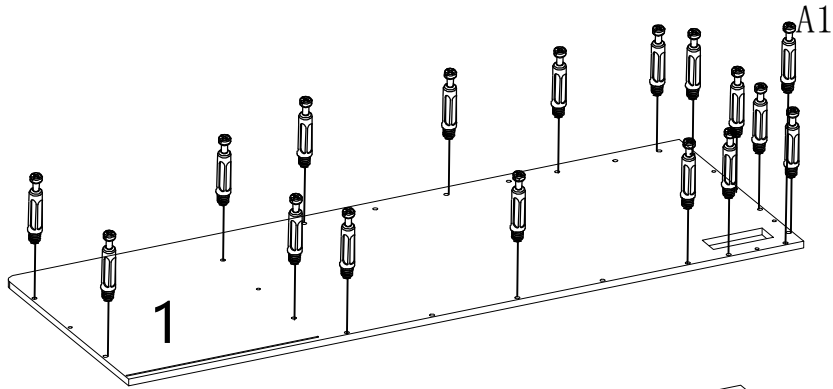
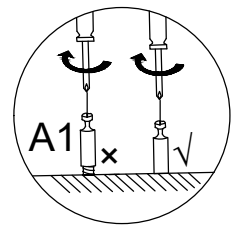
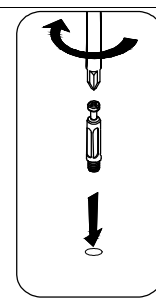
	A1 × 1PC		A2 × 2PCS
---	----------	---	-----------

STEP 34

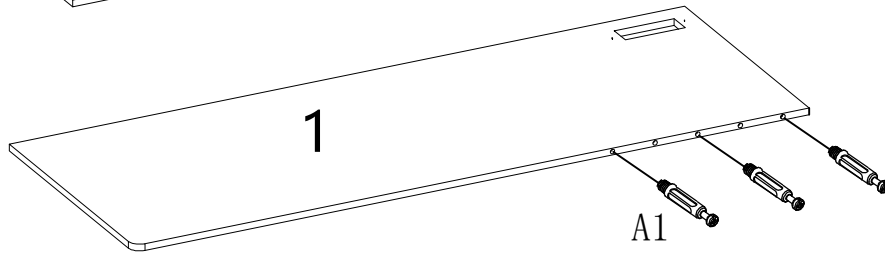


	A1 × 1PC		A2 × 2PCS
---	----------	---	-----------


STEP 35



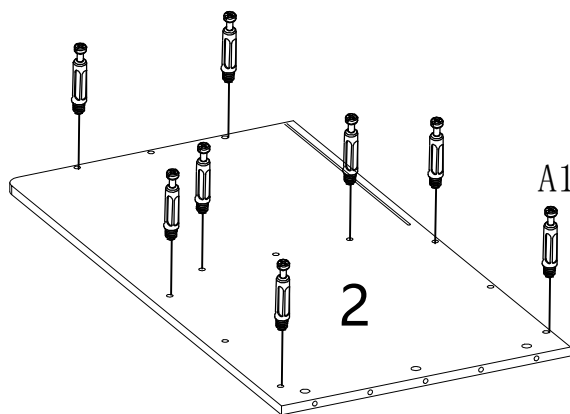
one side




the other side

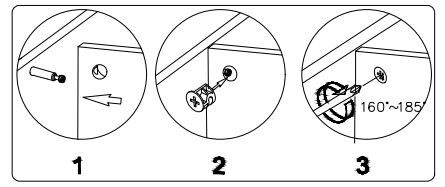
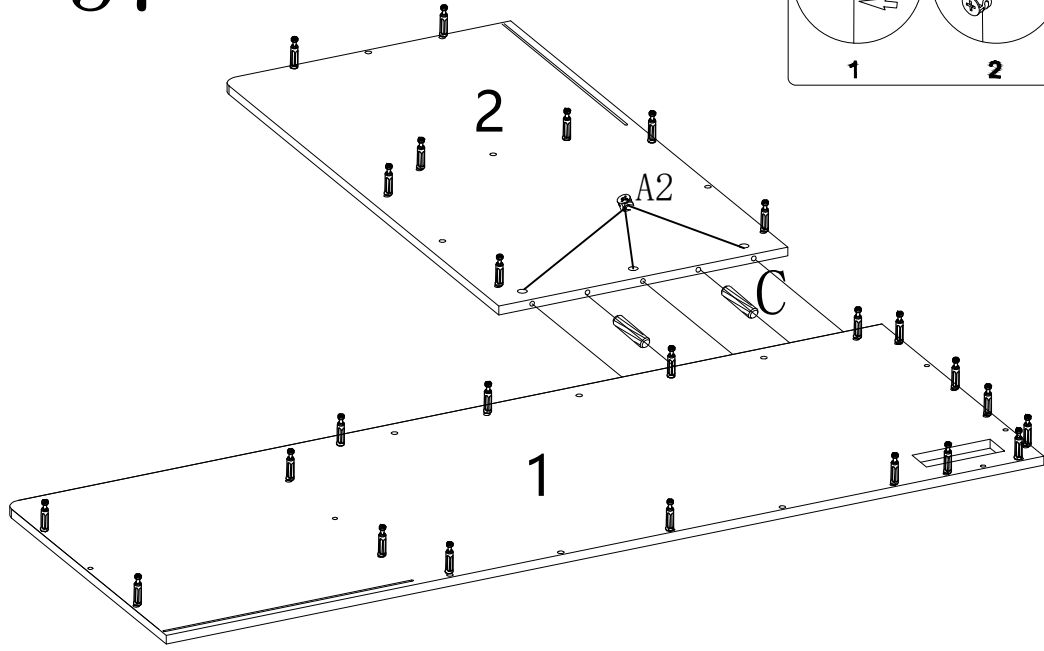
	A1 × 20PCS
---	------------

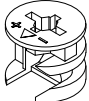
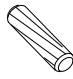
STEP 36



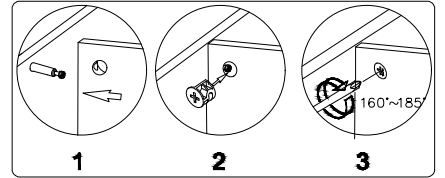
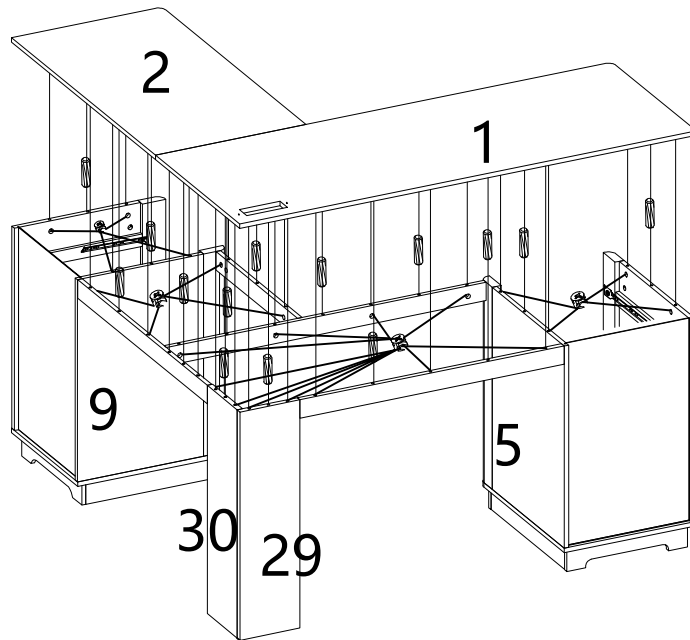
	A1 × 8PCS
---	-----------


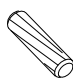
STEP 37



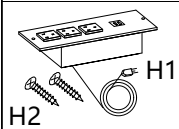
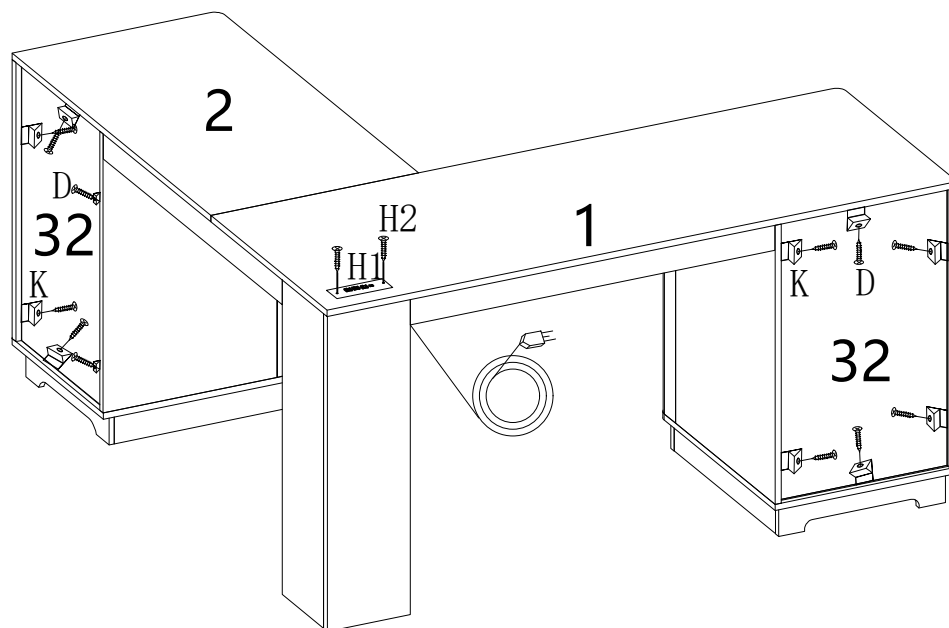
	A2 × 3PCS		C × 2PCS
---	-----------	---	----------

STEP 38



	A2 × 25PCS		C × 14PCS
---	------------	---	-----------

STEP 39



H × 1PC

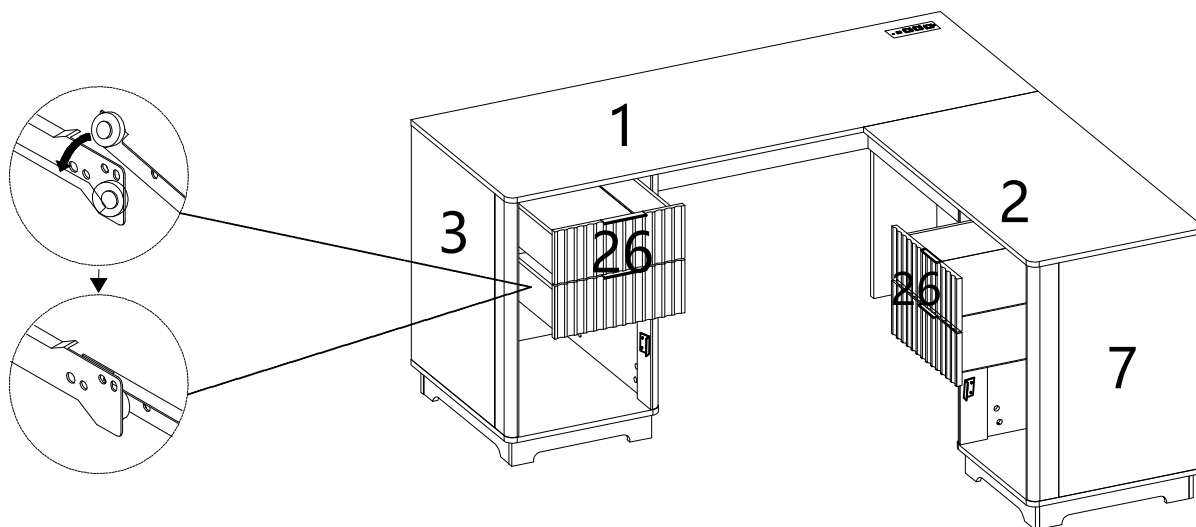


K × 12PCS

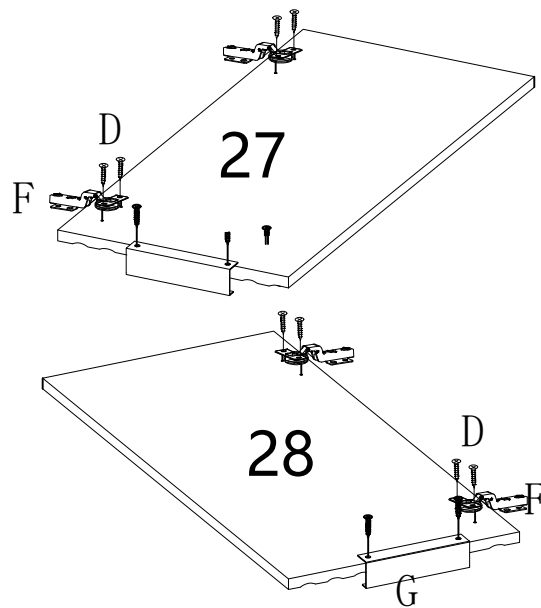


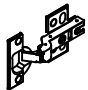

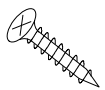
D × 12PCS

STEP 40

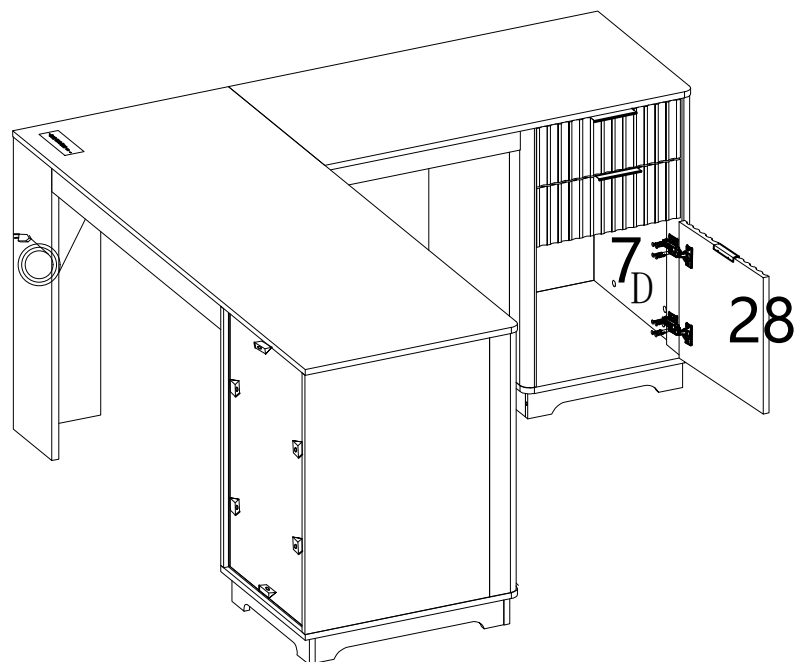
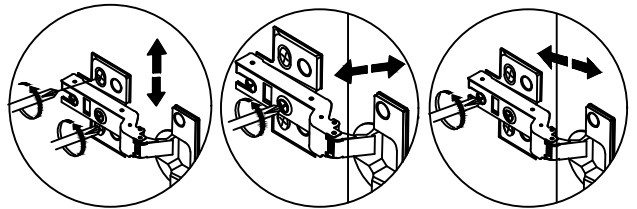


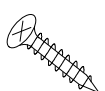
STEP 41



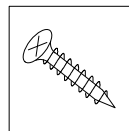
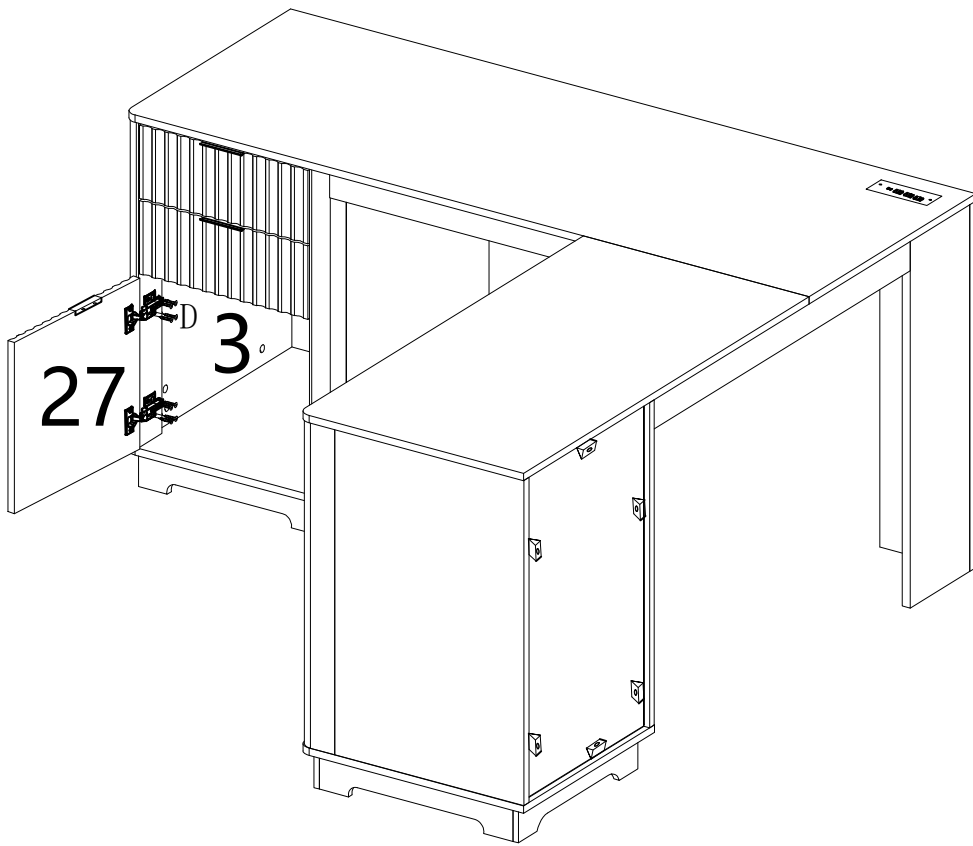
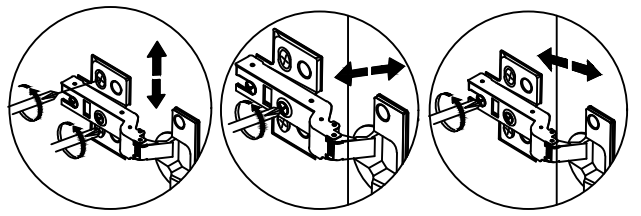
	F × 4PCS		G × 2PCS		D × 12PCS
---	----------	---	----------	---	-----------

STEP 42



	D × 8PCS
---	----------

STEP 43



D × 8PCS