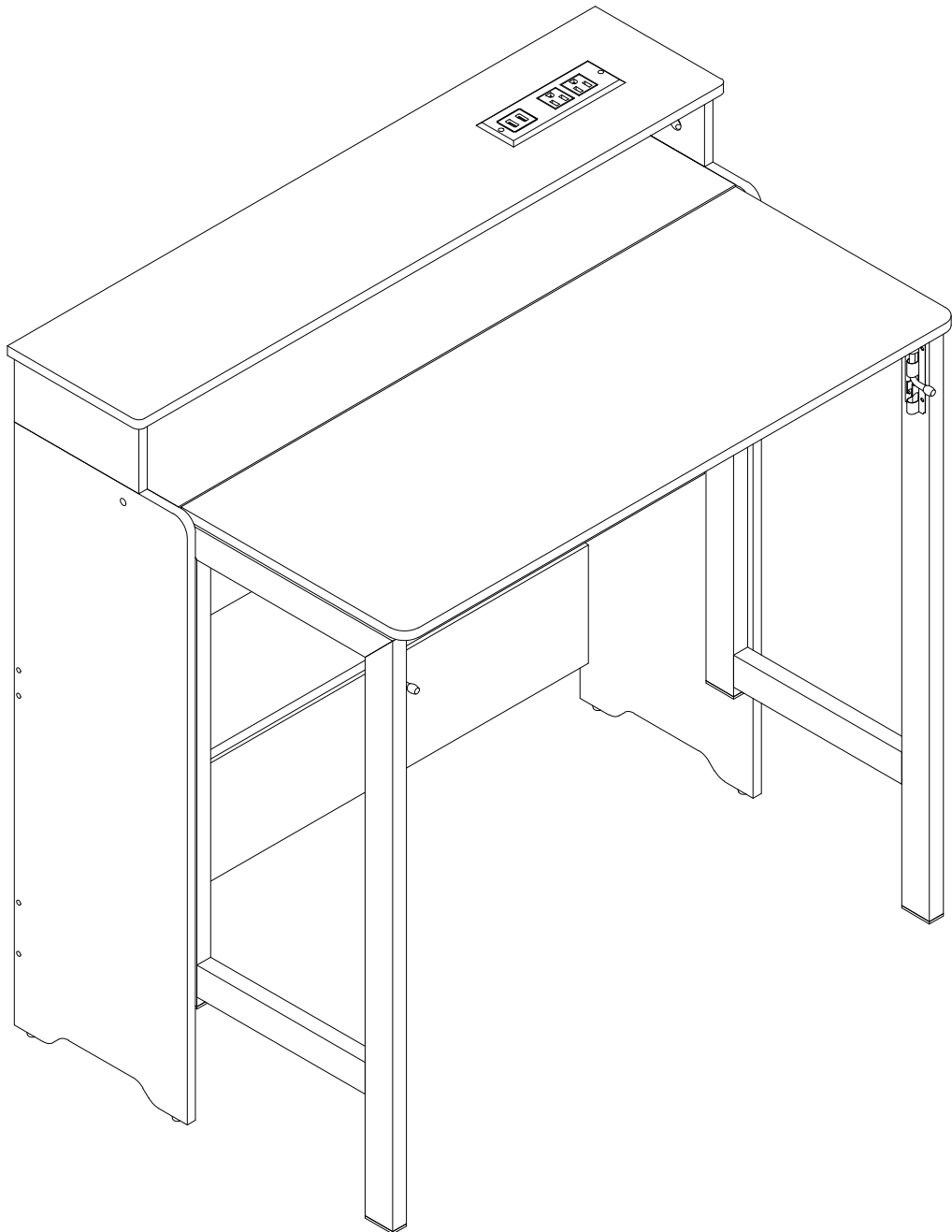
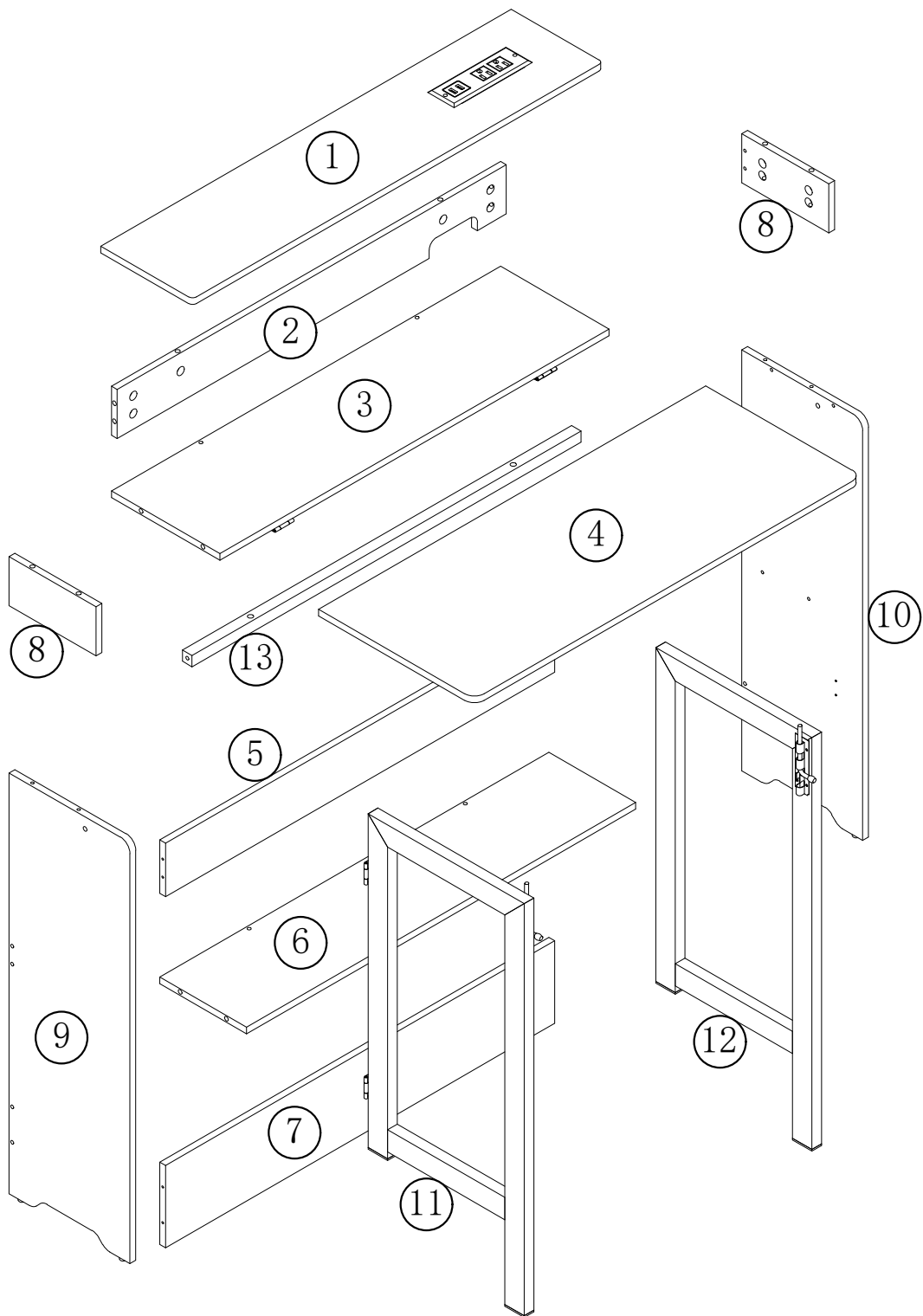


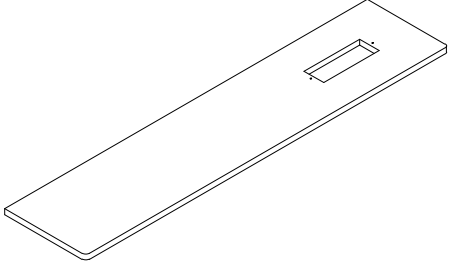
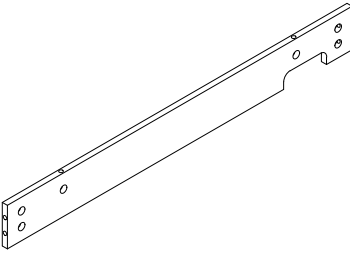
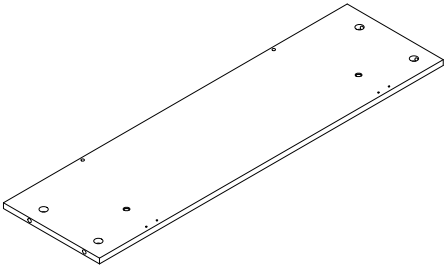
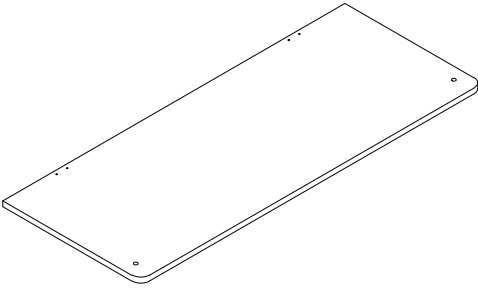
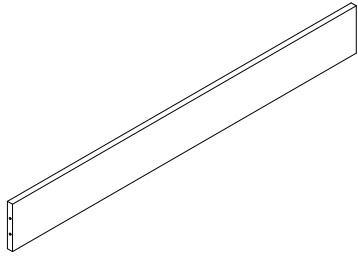
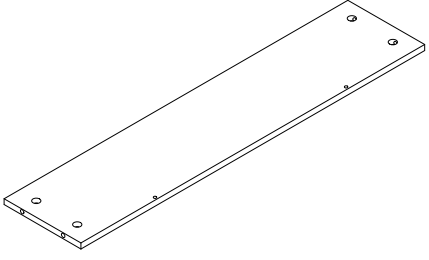
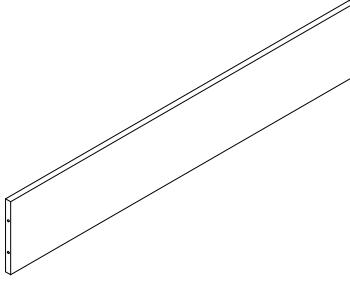
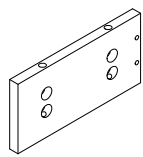
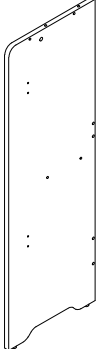
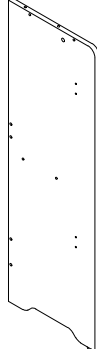
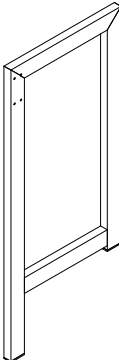
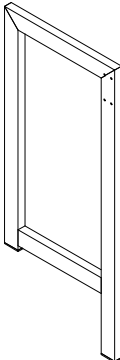
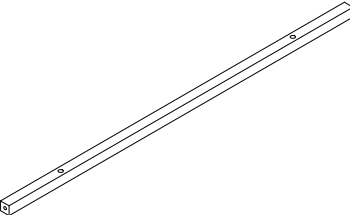
ASSEMBLY INSTRUCTION



ASSEMBLY INSTRUCTION

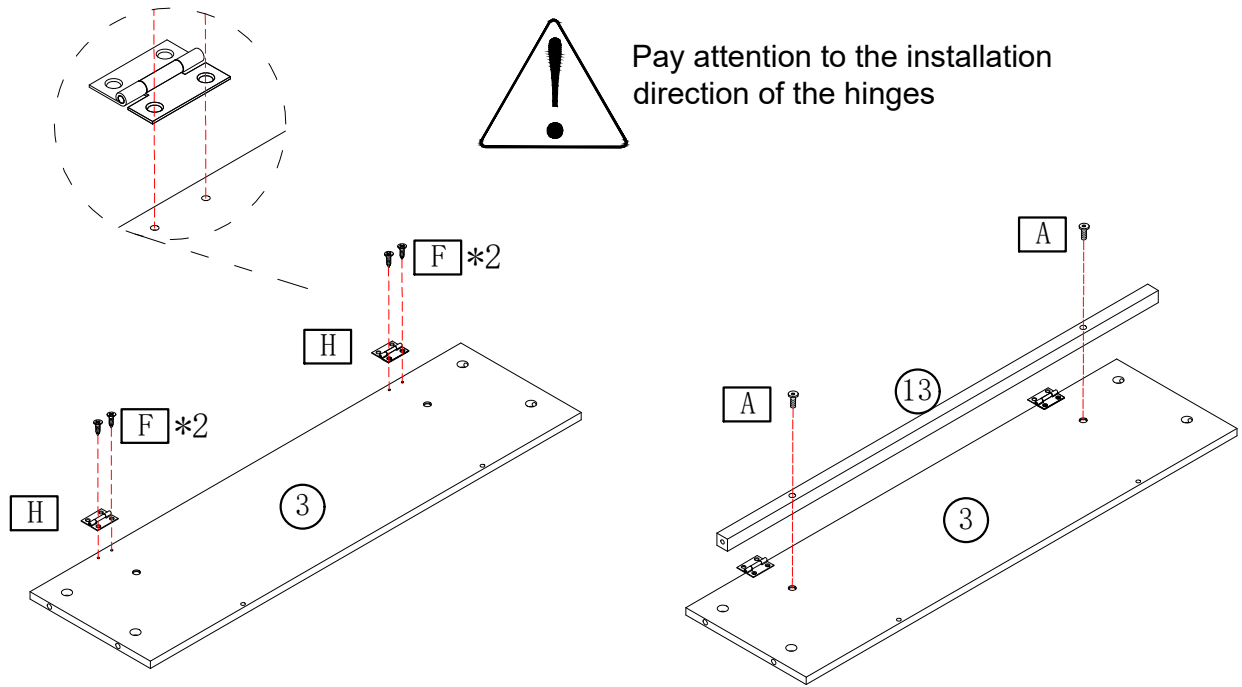


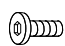


ASSEMBLY INSTRUCTION

<p>①</p>  <p>X1</p>	<p>②</p>  <p>X1</p>	<p>③</p>  <p>X1</p>
<p>④</p>  <p>X1</p>	<p>⑤</p>  <p>X1</p>	<p>⑥</p>  <p>X1</p>
<p>⑦</p>  <p>X1</p>	<p>⑧</p>  <p>X2</p>	<p>⑨</p>  <p>X1</p>
<p>⑩</p>  <p>X1</p>	<p>⑪</p>  <p>X1</p>	<p>⑫</p>  <p>X1</p>
<p>⑬</p>  <p>X1</p>		

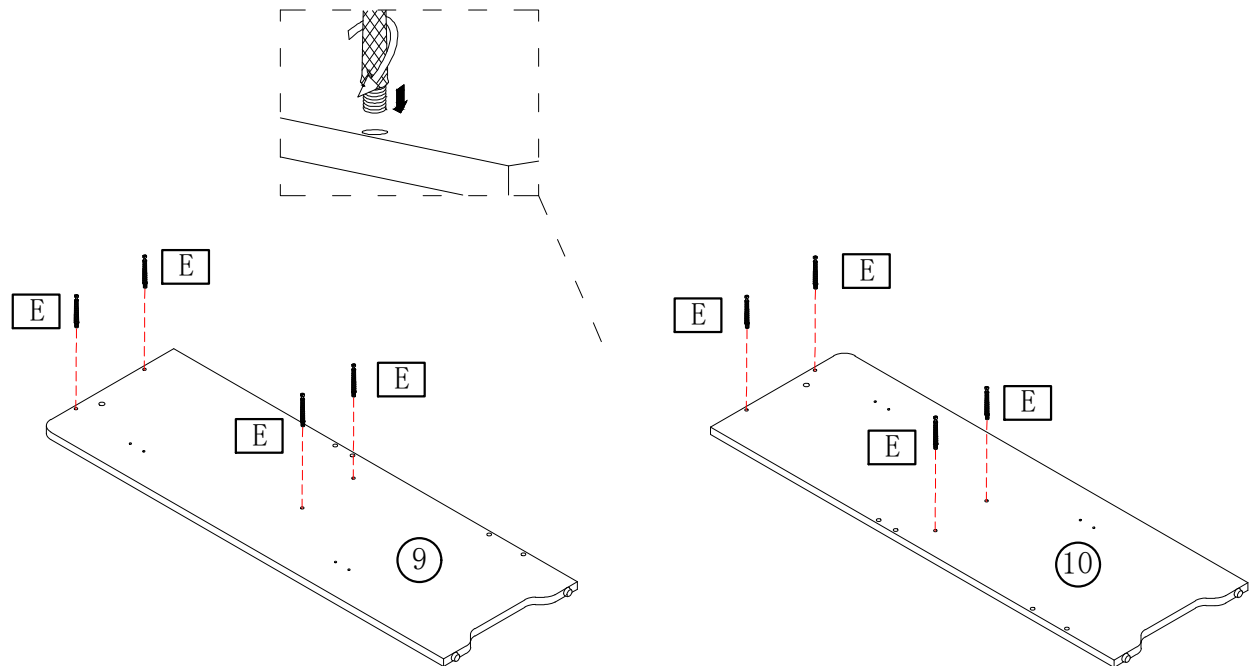
ASSEMBLY INSTRUCTION


STEP 1



<p>A M6*28</p>  <p>*2</p>	<p>F M3.5*12</p>  <p>*4</p>	<p>H</p>  <p>*2</p>
---	---	---

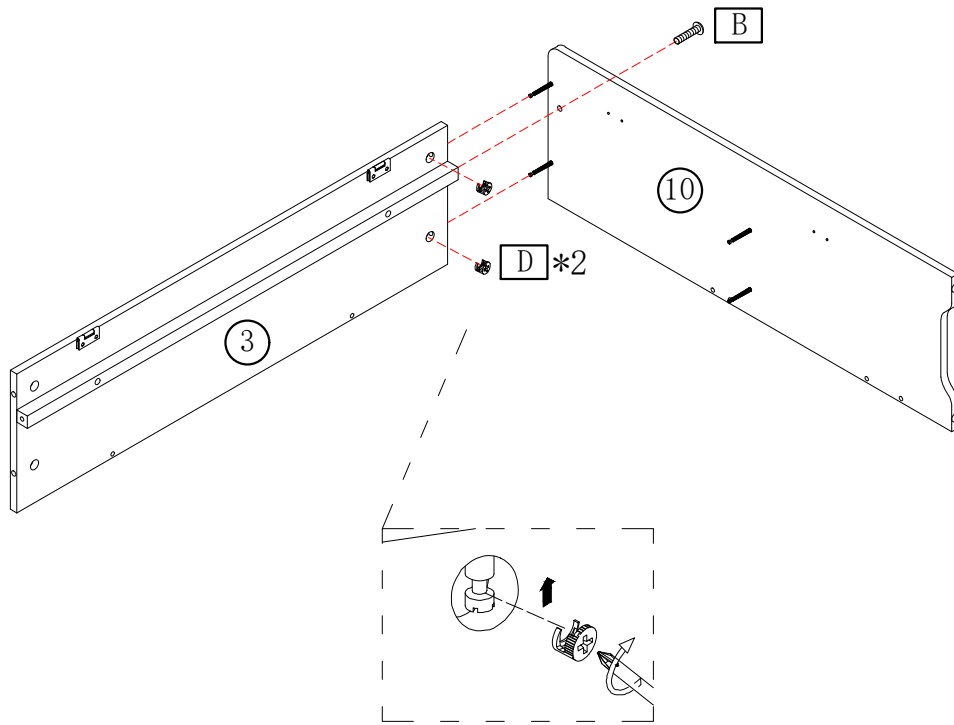
STEP 2

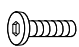



<p>E KM6*40</p>  <p>*8</p>
--

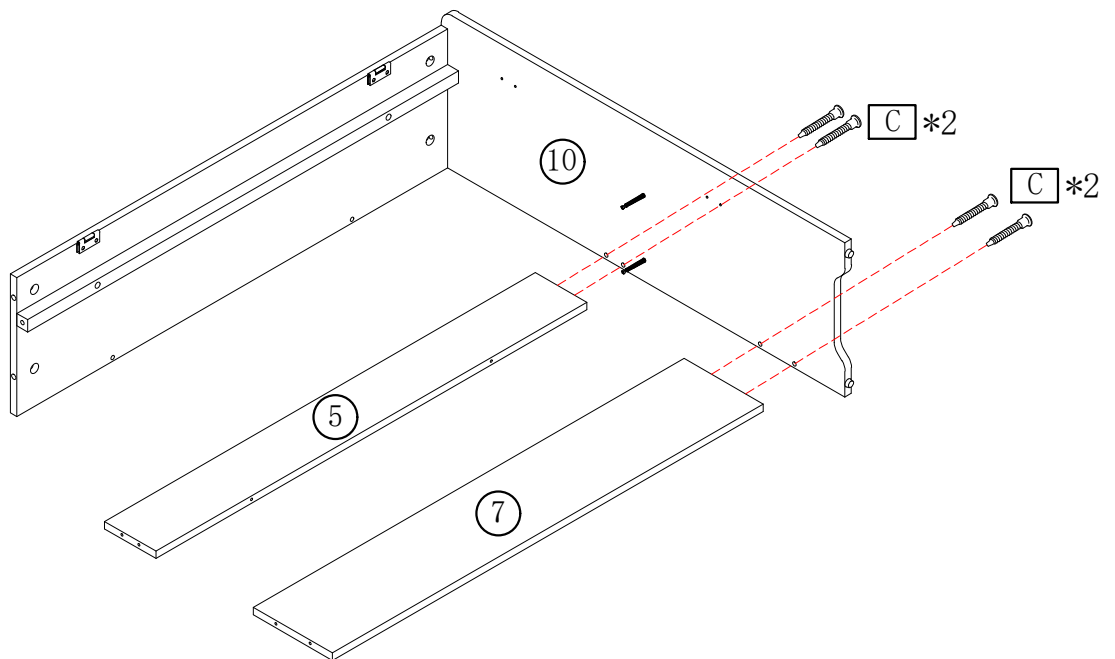
ASSEMBLY INSTRUCTION


STEP 3



B	M6*35	D	M15*9
			
	*1		*2

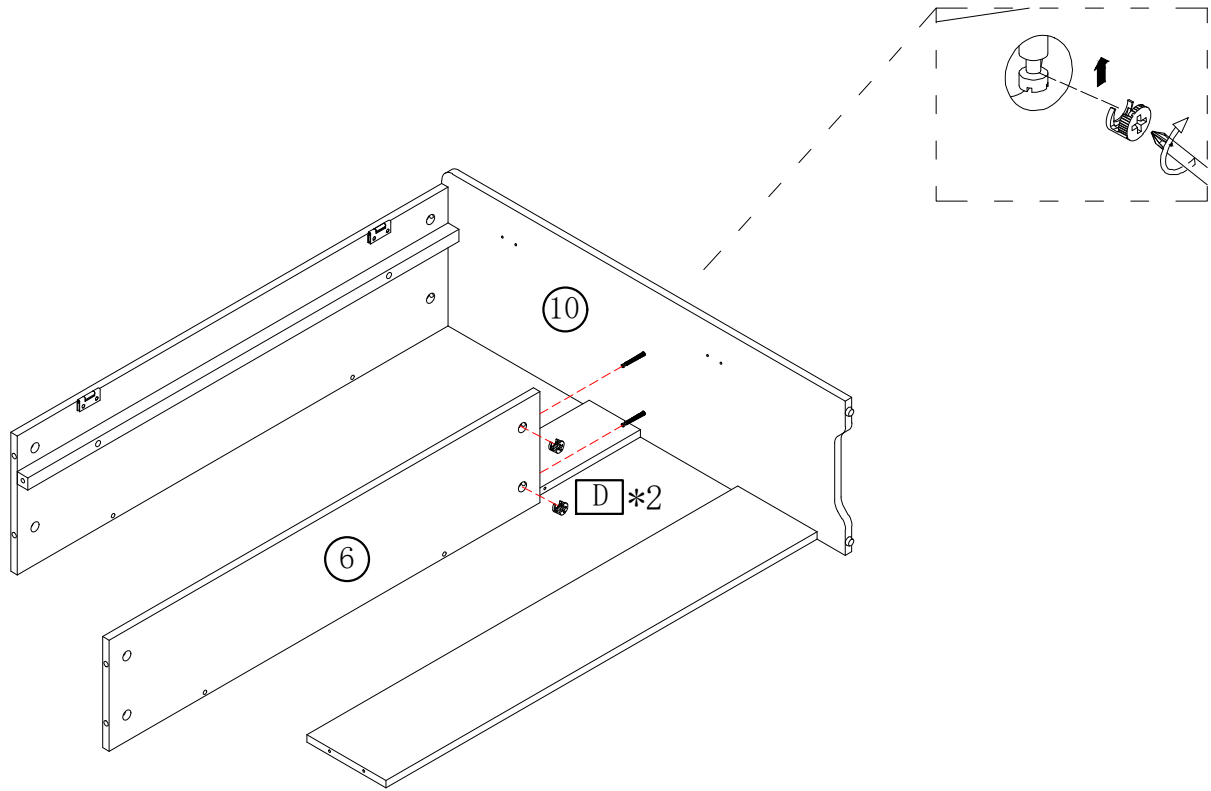
STEP 4



C	M5*40
	
	*4

ASSEMBLY INSTRUCTION

STEP 5

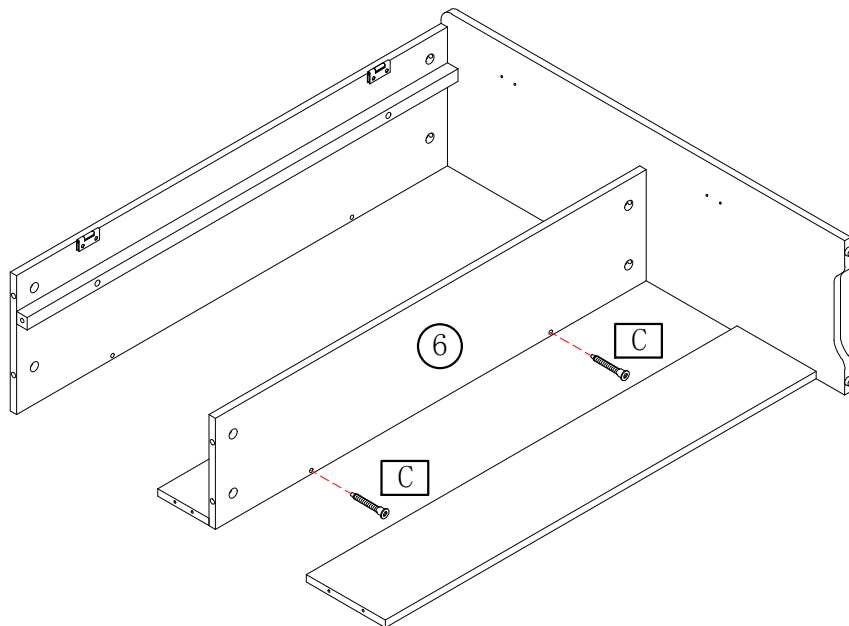


D M15*9

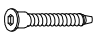


*2

STEP 6



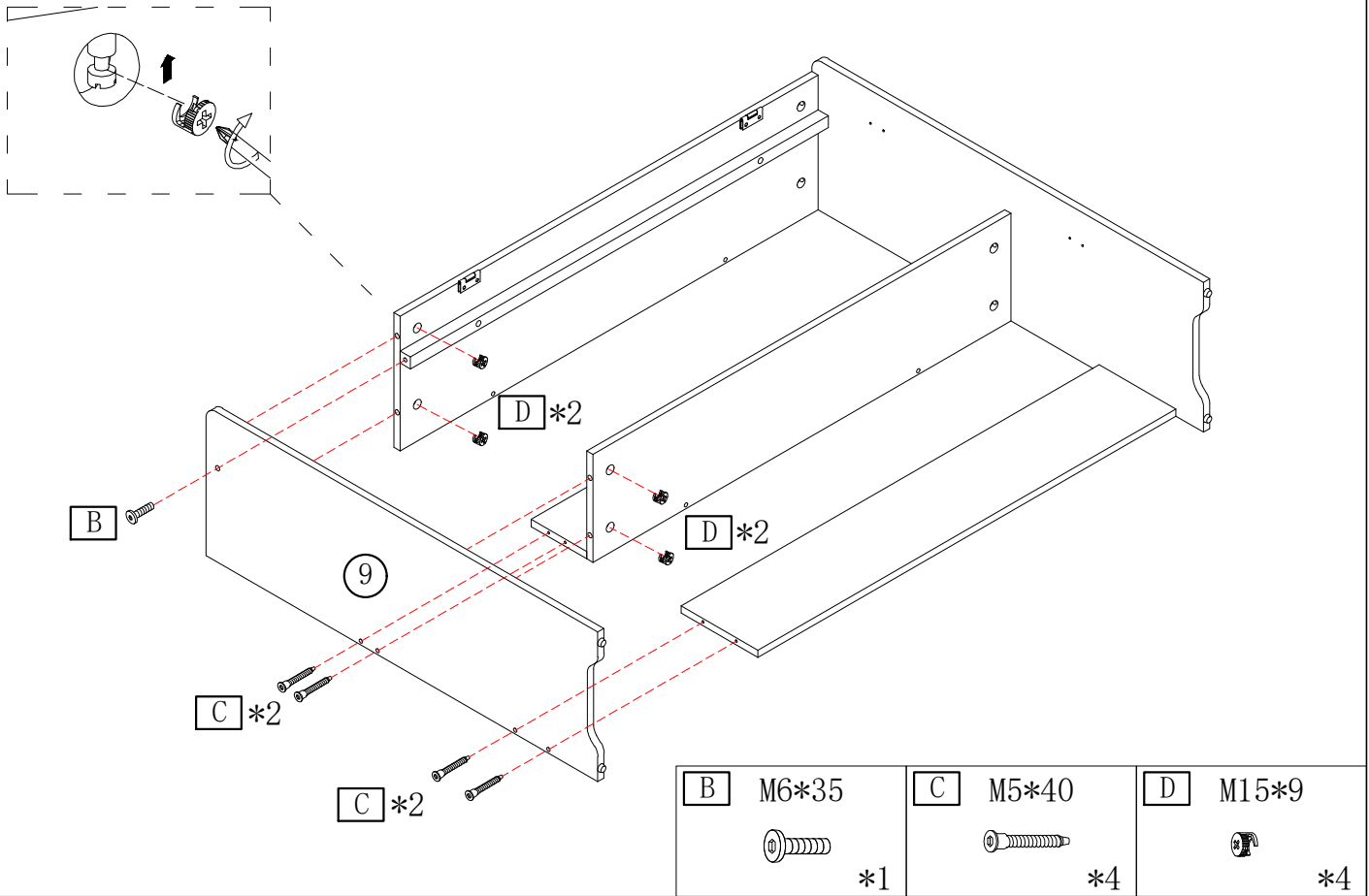
C M5*40



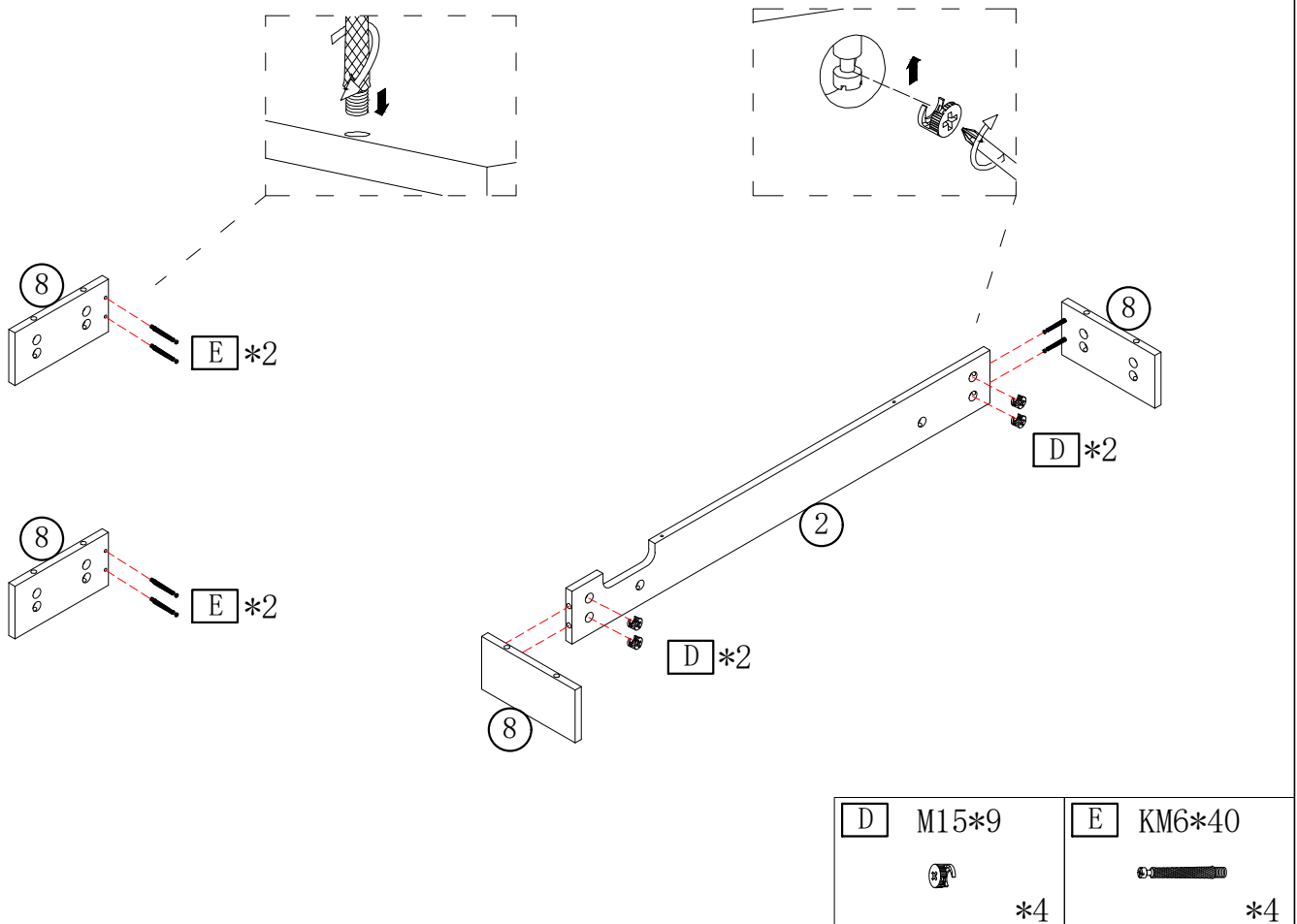
*2

ASSEMBLY INSTRUCTION

STEP 7

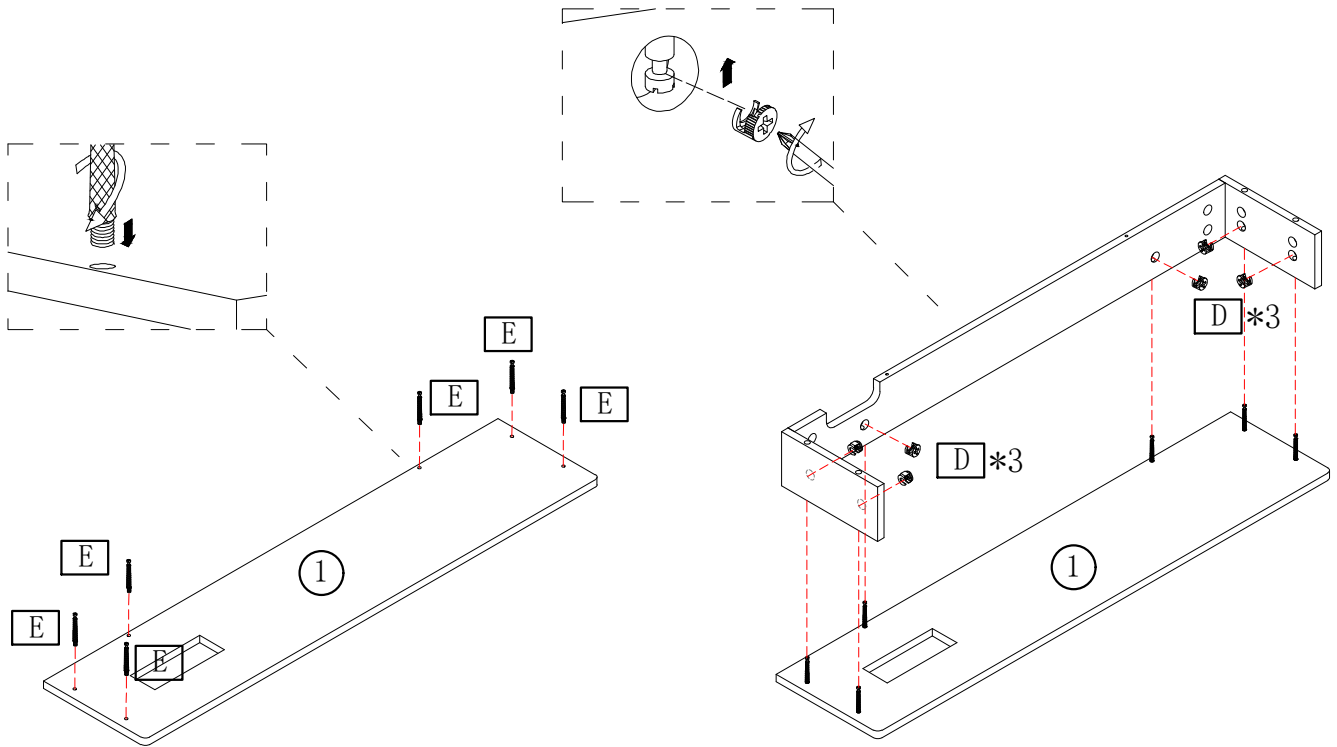




STEP 8



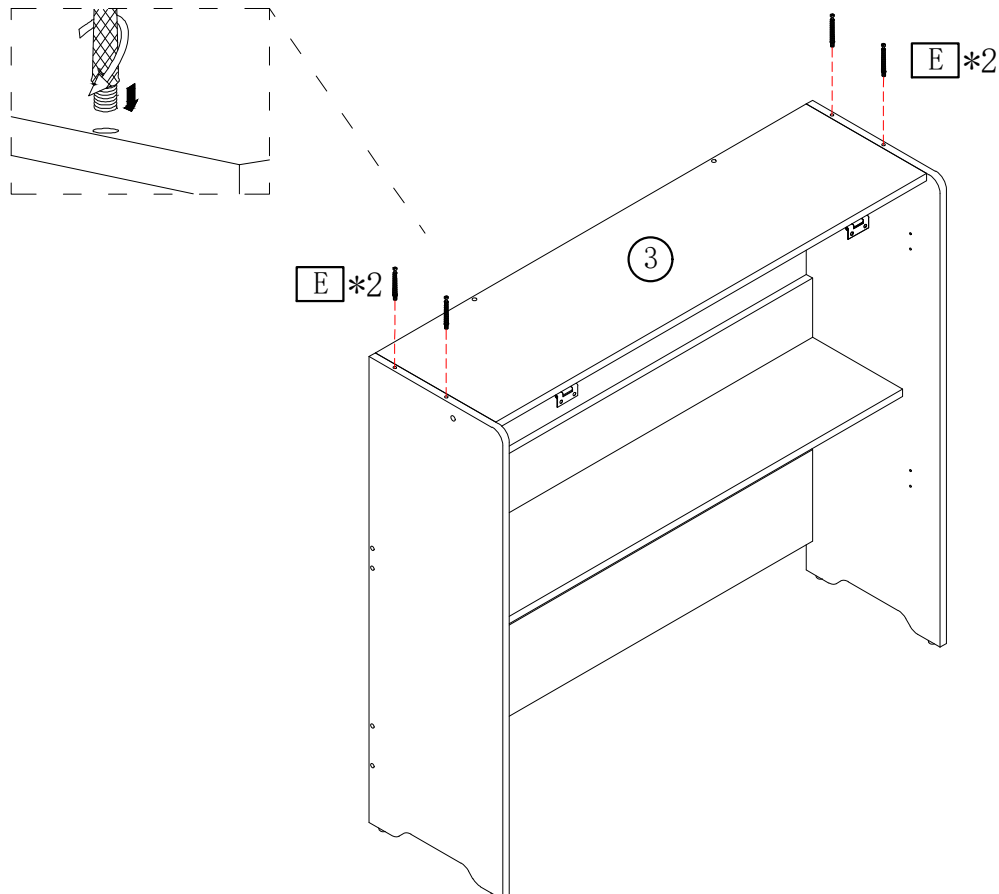
ASSEMBLY INSTRUCTION


STEP 9



D M15*9	E KM6*40
 *6	 *6

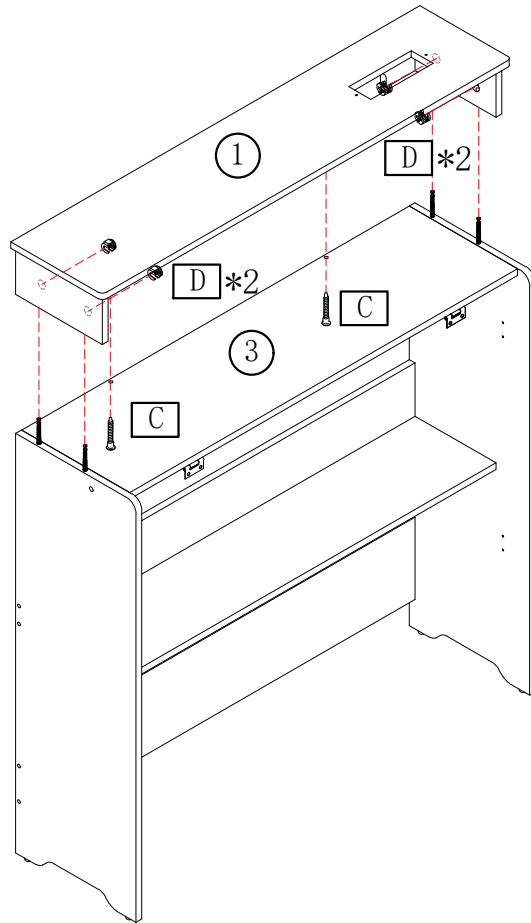
STEP 10

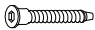



E KM6*40
 *4

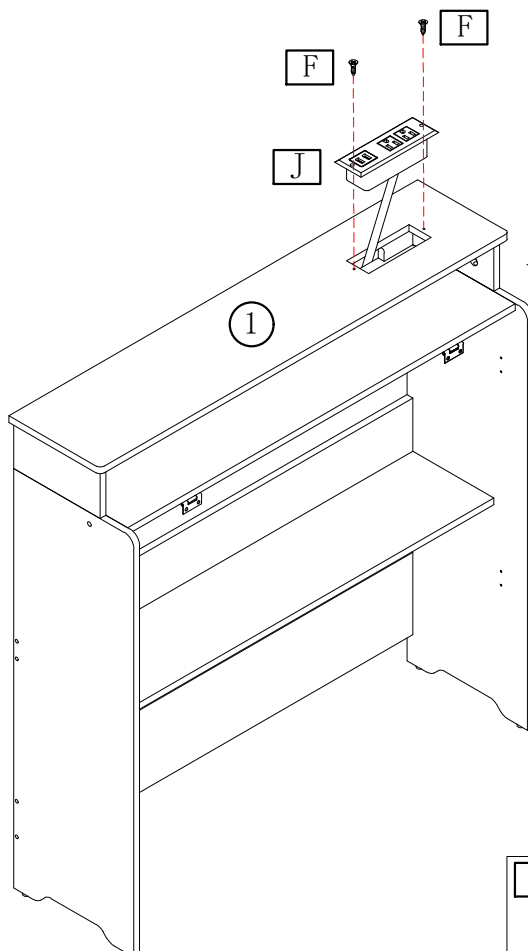
ASSEMBLY INSTRUCTION

STEP 11






C	M5*40	D	M15*9
			
*2		*4	

STEP 12

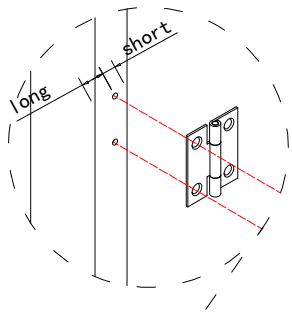


Cover the holes with K as needed

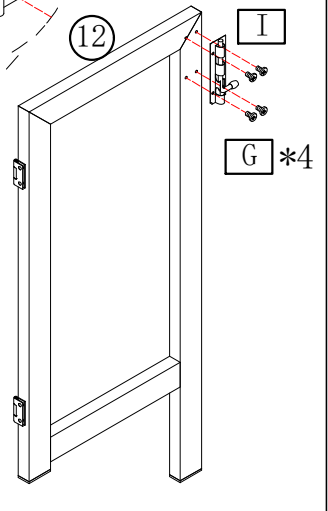
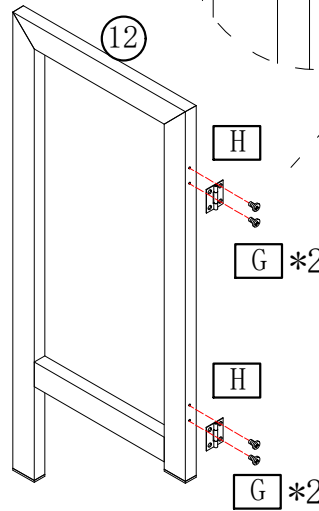
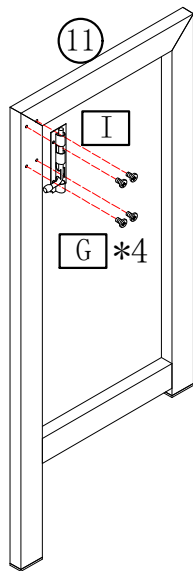
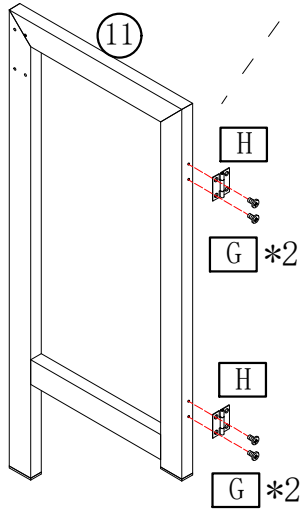
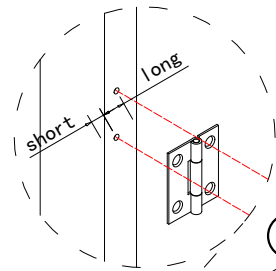
F	M3.5*12	J	K
			
*2		*1	*22


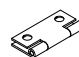
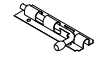
ASSEMBLY INSTRUCTION

STEP 13

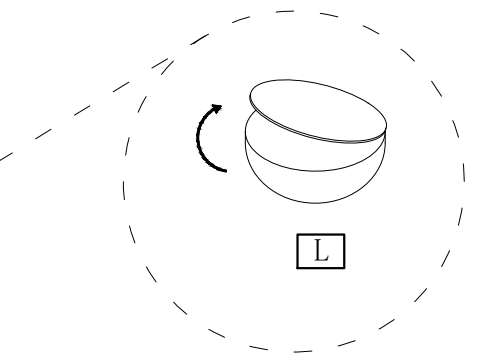
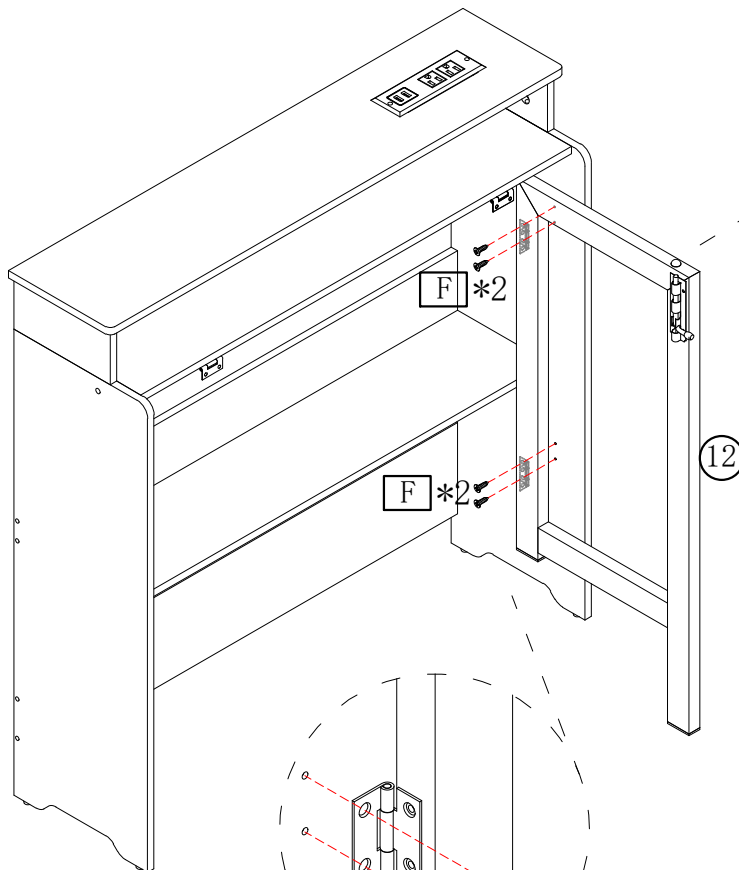




Pay attention to the installation direction of the hinges



G M4*8  *16	H  *4	I  *2
--	--	--

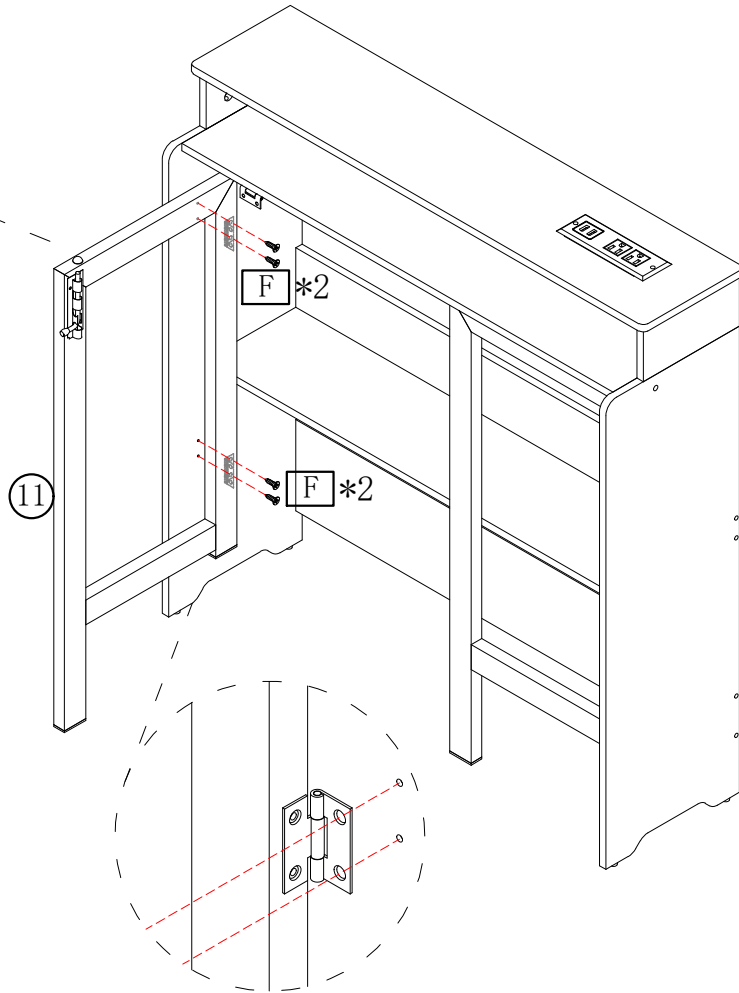
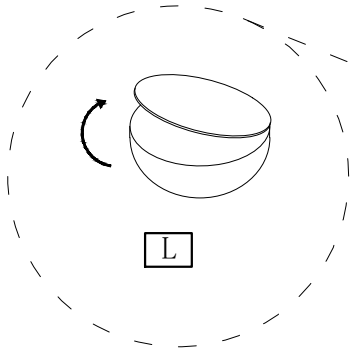
STEP 14





F M3.5*12  *4	L  *2
--	--

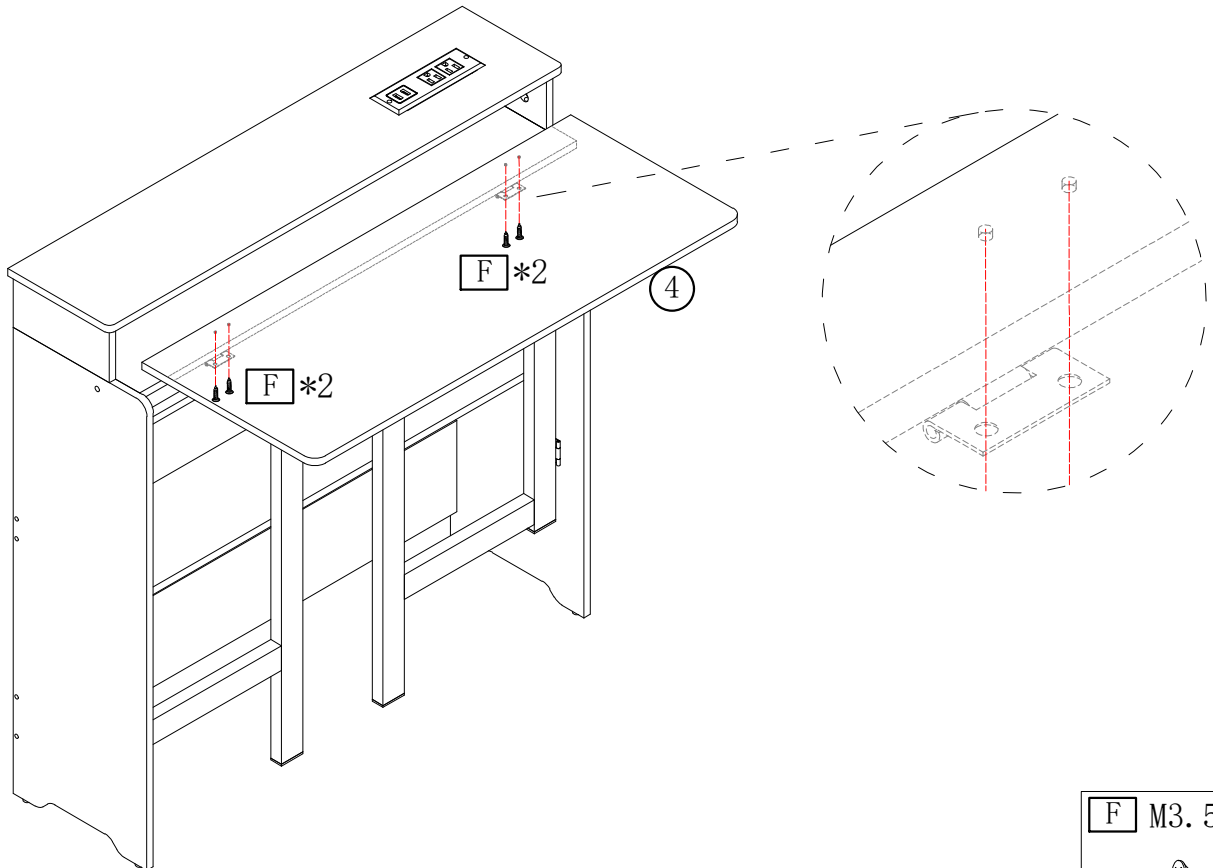
ASSEMBLY INSTRUCTION


STEP 15



F M3.5*12  *4	L  *2
---	---

STEP 16



F M3.5*12  *4
