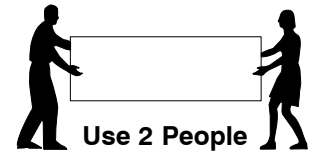
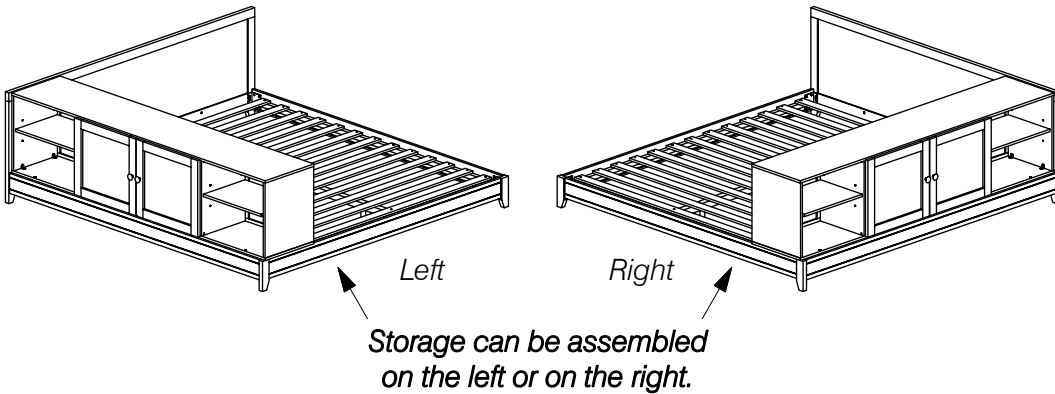


# Queen Bed

## Assembly Instructions

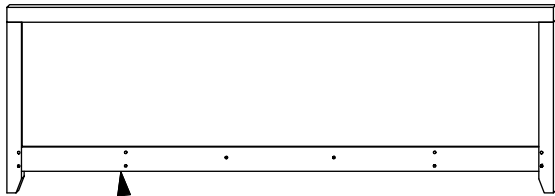
### 1 Assembled View



**Note:** Do not assemble using power tools. This can cause the bolts to be overtightened

### 2 Parts List

#### Parts in Box A:

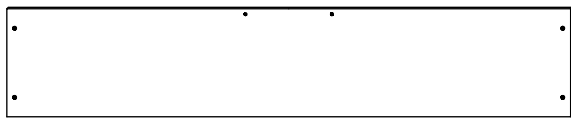


**A** Headboard x 1

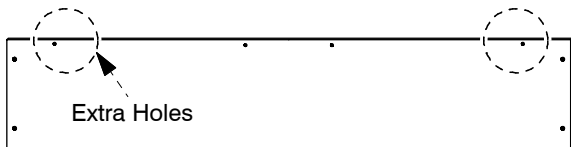


**B** Footboard x 1

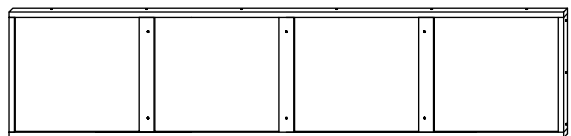
#### Parts in Box B:



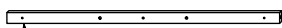
**C** Storage Top Panel x 1



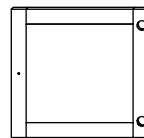
**D** Storage Bottom Panel x 1



**E** Storage Rear Frame x 1



**F** Storage Support Rail x 2



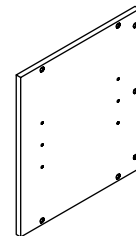
**G** Storage Door Panel x 2



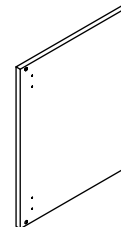
**H** Storage Shelf x 2



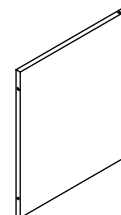
**J** Support Bar x 2



**K** Storage Side Panel x 2



**L** Storage Divider x 2



**M** Storage Divider (Center) x 1

# Queen Bed

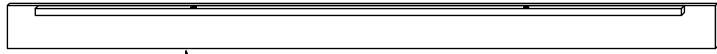
## Assembly Instructions

### 2 Part List

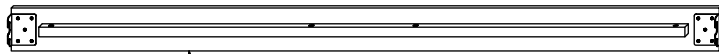
Parts in Box C:



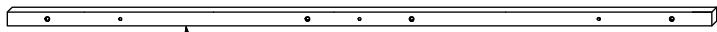
**N** Side Rail (Left Hand) x 1



**O** Side Rail (Center) x 1



**P** Side Rail (Right Hand) x 1

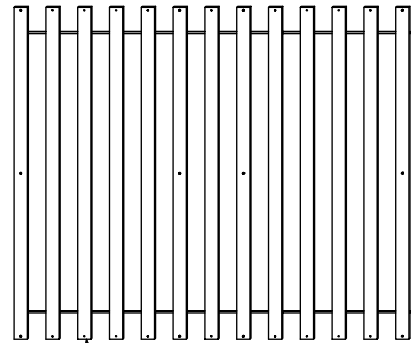


**Q** Long Support x 1



**R**

Support Leg x 3

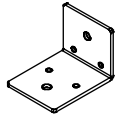


**S** Set of Bed Slats x 1

### 3 Hardware List



**1** M4 Allen Key x 1



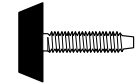
**2** Center Rail Bracket x 2



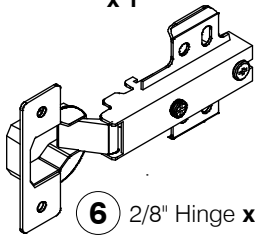
**3** 'L' Bracket x 8



**4** Shelf Support x 8



**5** Adjustable Foot x 3



**6** 2/8" Hinge x 4



**7** M4 x 30mm Bolt x 2



**8** Wooden Knob x 2



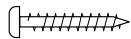
**9** Spring Washer x 12



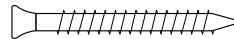
**10** Flat Washer x 12



**11** Wood Screw (M4 x 16mm) x 24



**12** Wood Screw (M4 x 32mm) x 36



**13** CSK Cap Wood Screw (M6 x 50mm) x 8



**14** M6 x 15mm JCB x 20



**15** M6 x 20mm JCB x 12



**16** M6 x 30mm JCB x 14



**17** M6 x 40mm JCB x 16

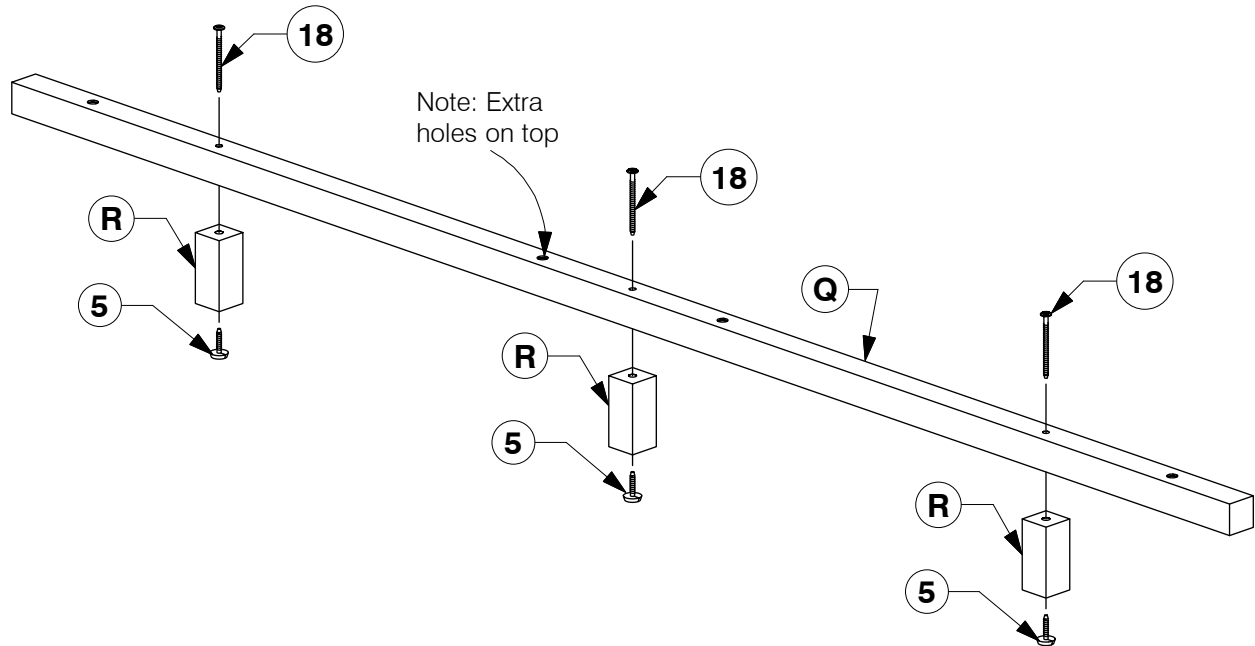


**18** M6 x 90mm JCB x 3

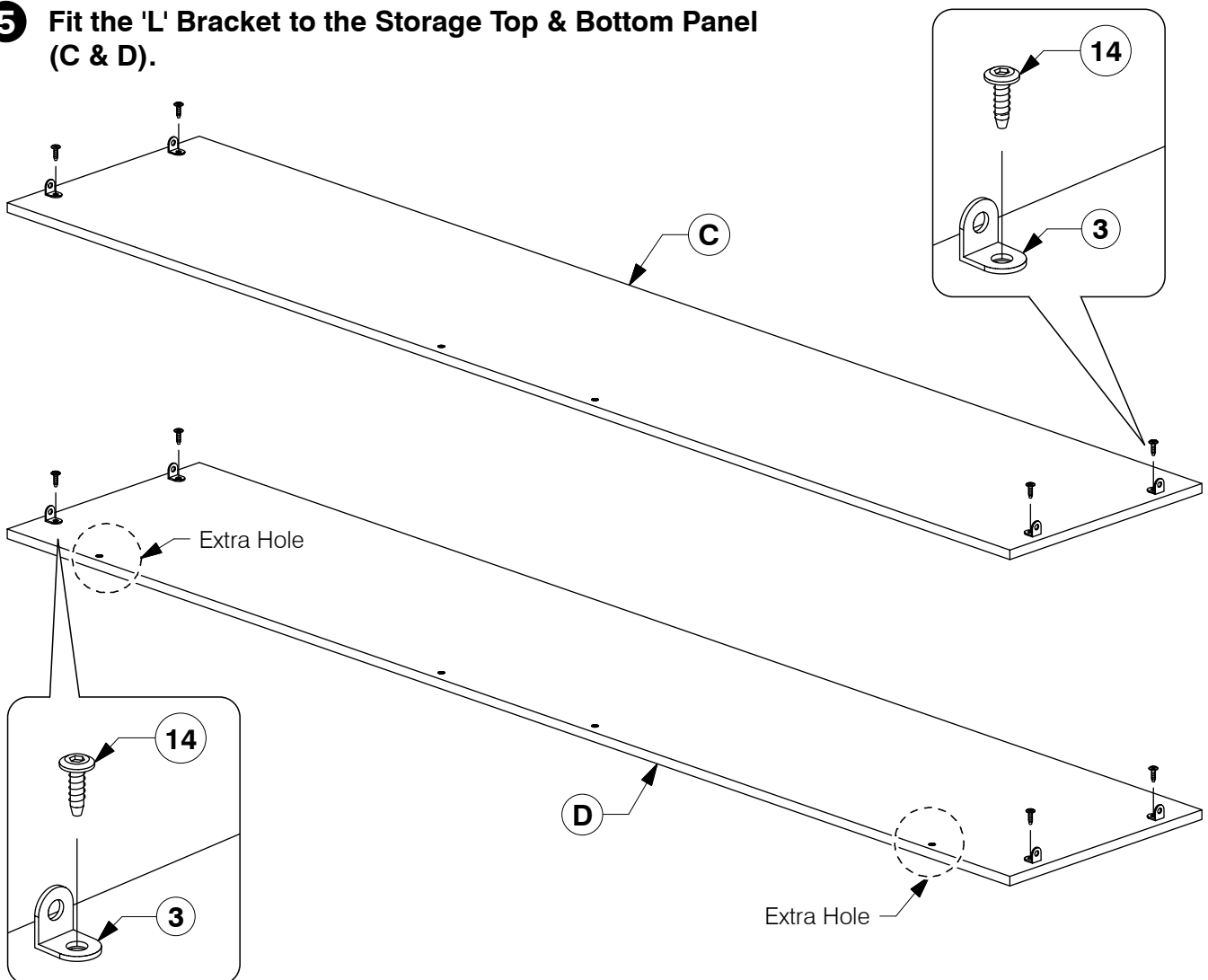
# Queen Bed

## Assembly Instructions

### 4 Assemble the Support Leg (R) to the Long Support (Q).



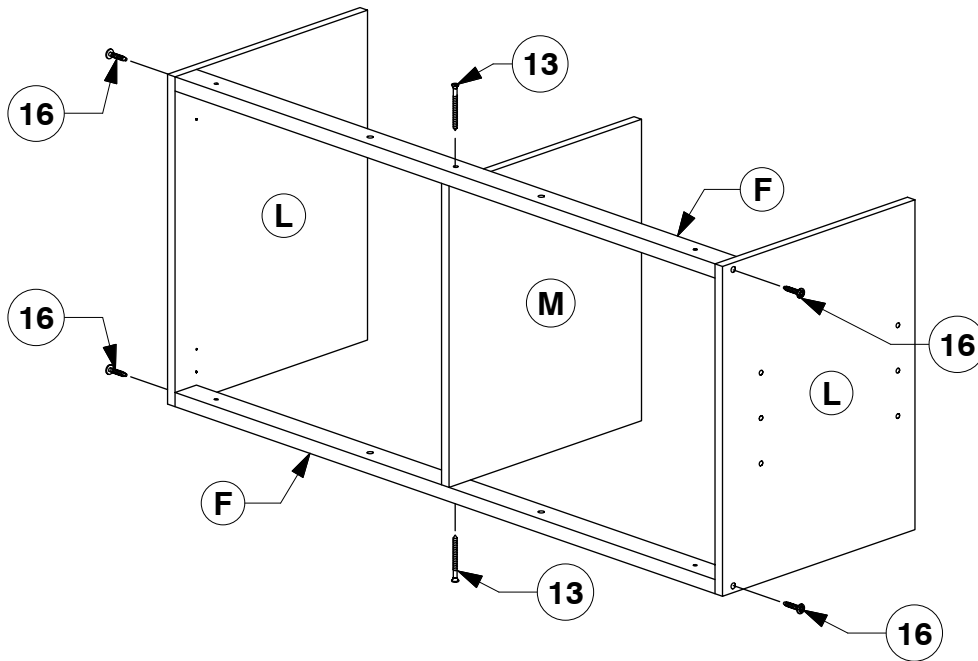
### 5 Fit the 'L' Bracket to the Storage Top & Bottom Panel (C & D).



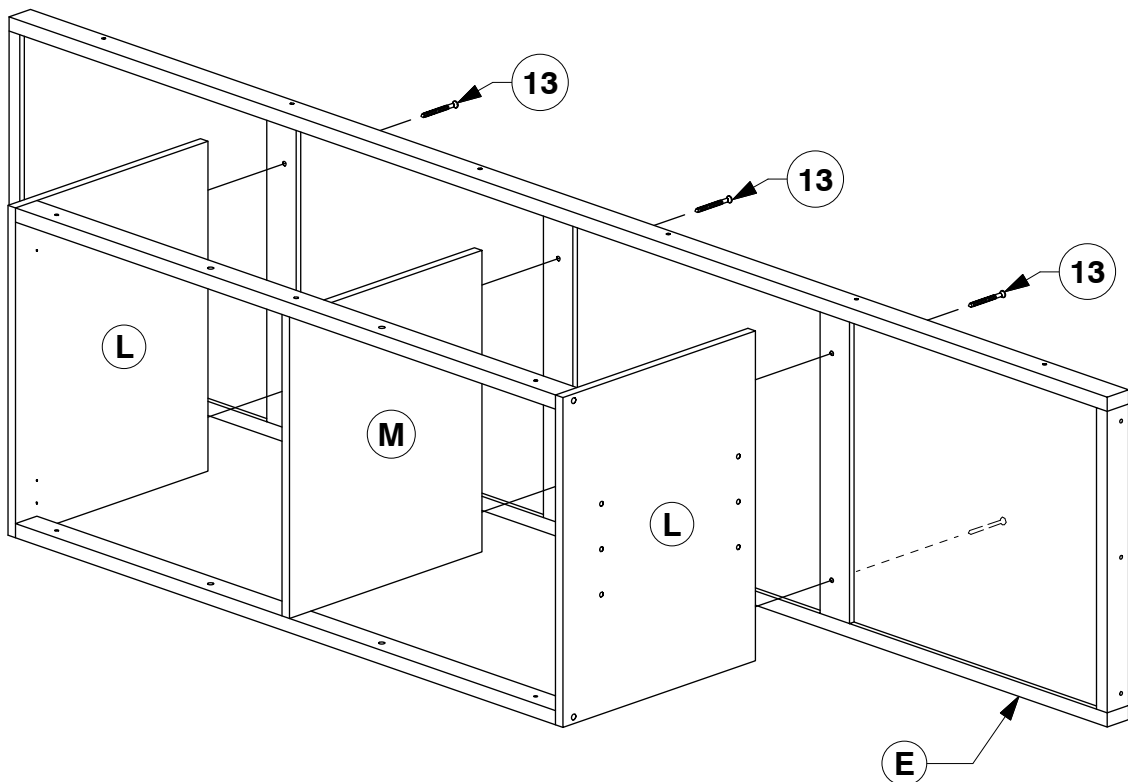
# Queen Bed

## Assembly Instructions

- 6** Assemble the Storage Support Rail (F) to the Storage Divider (L & M).



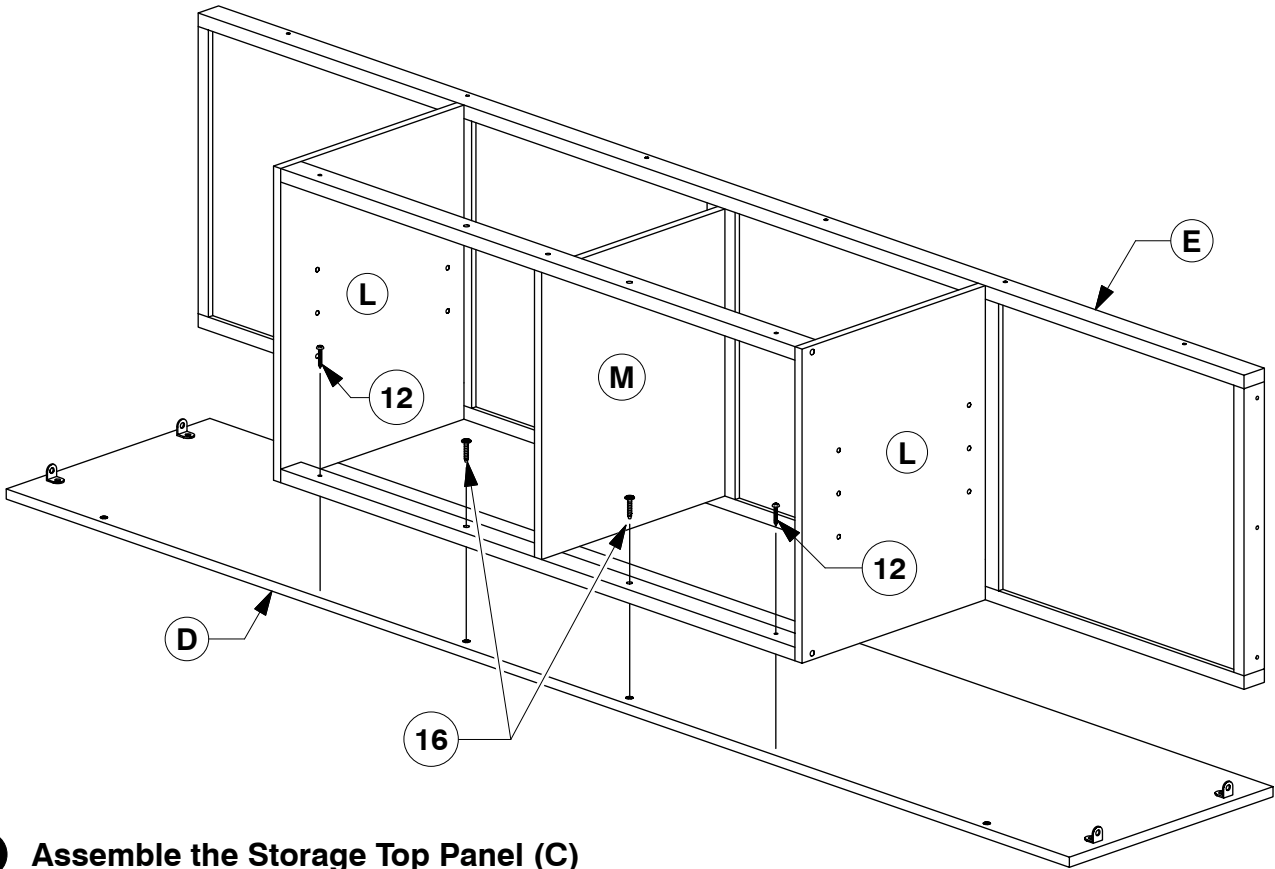
- 7** Fit the Storage Divider (L & M) to the Storage Rear Frame (E).



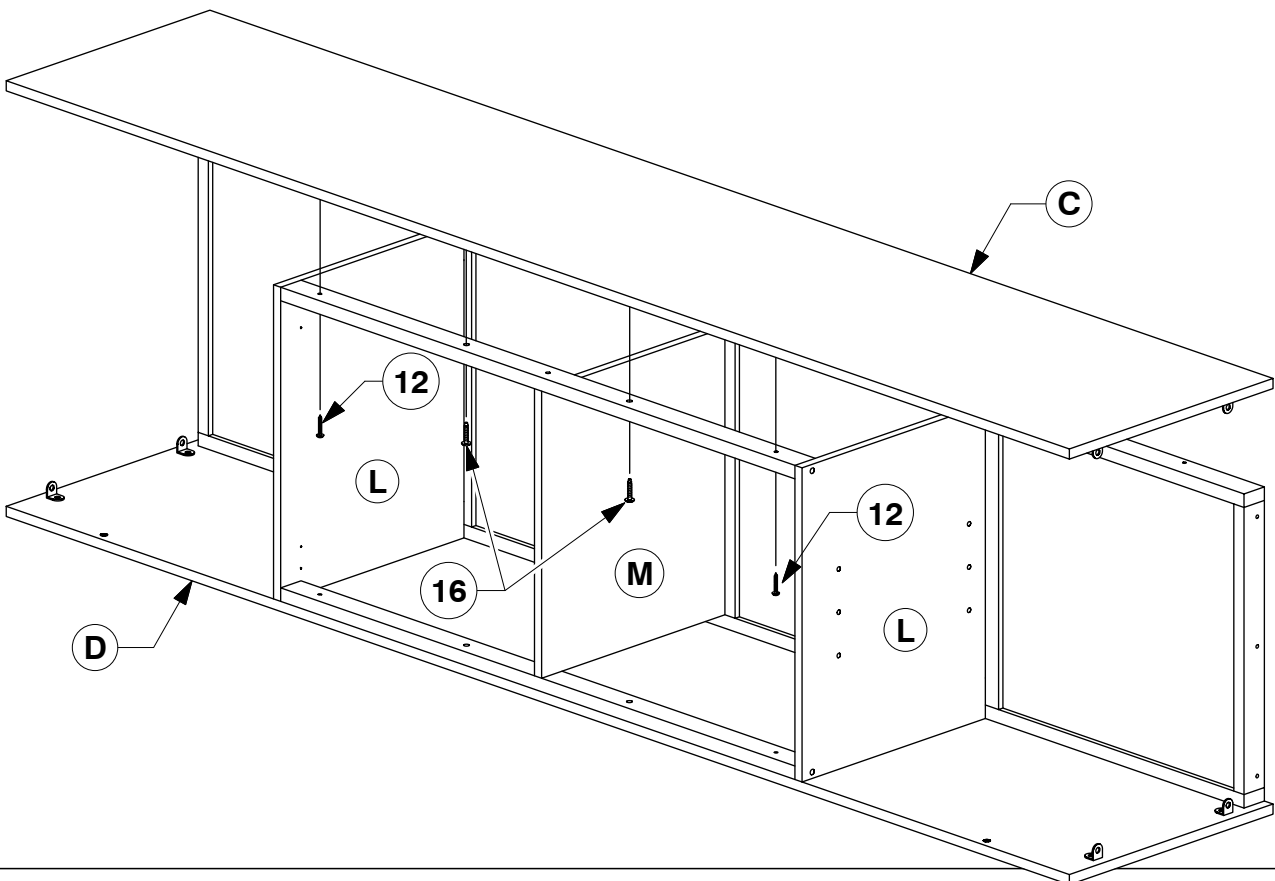
# Queen Bed

## Assembly Instructions

- 8 Assemble the Storage Bottom Panel (D) to the Storage Divider (L & M).**



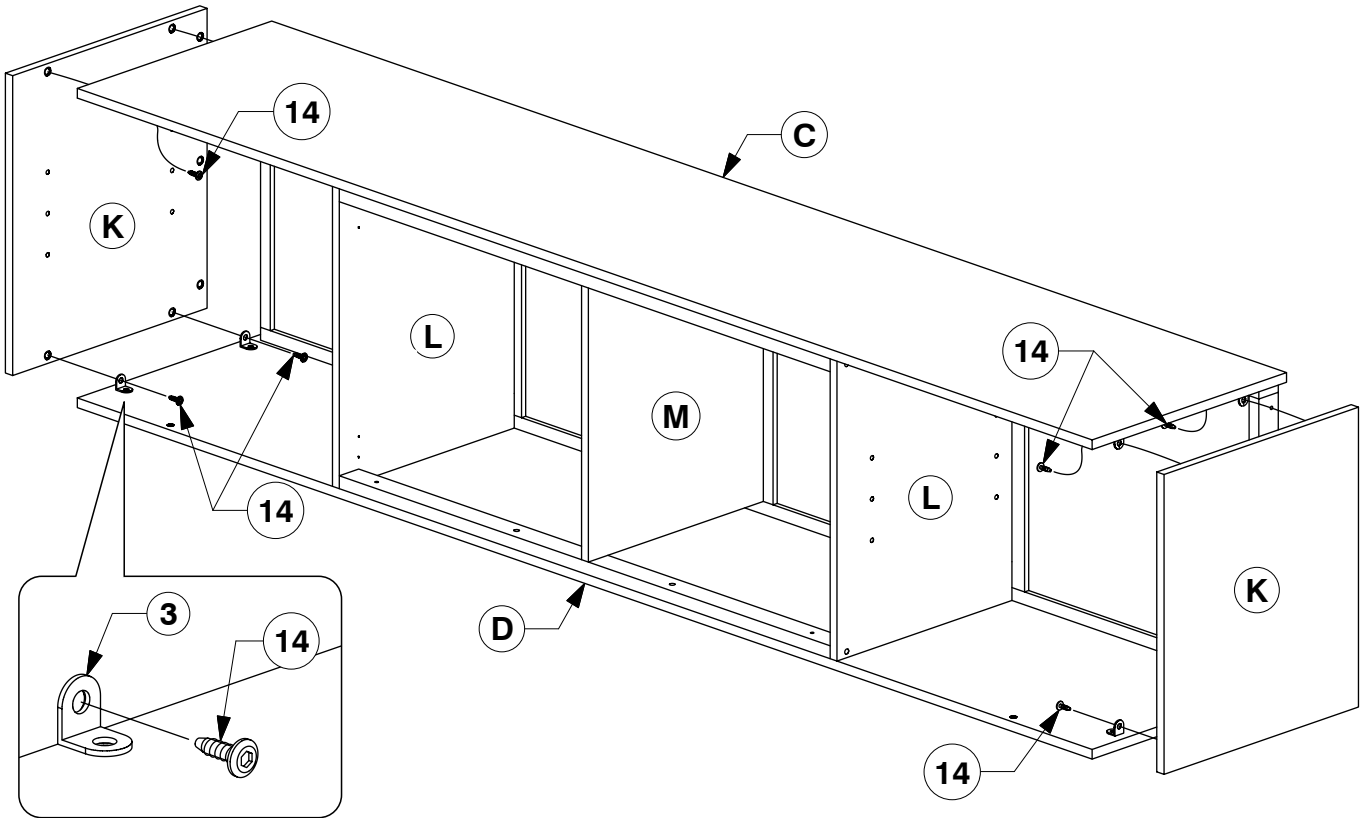
- 9 Assemble the Storage Top Panel (C) to the Storage Divider. (L & M)**



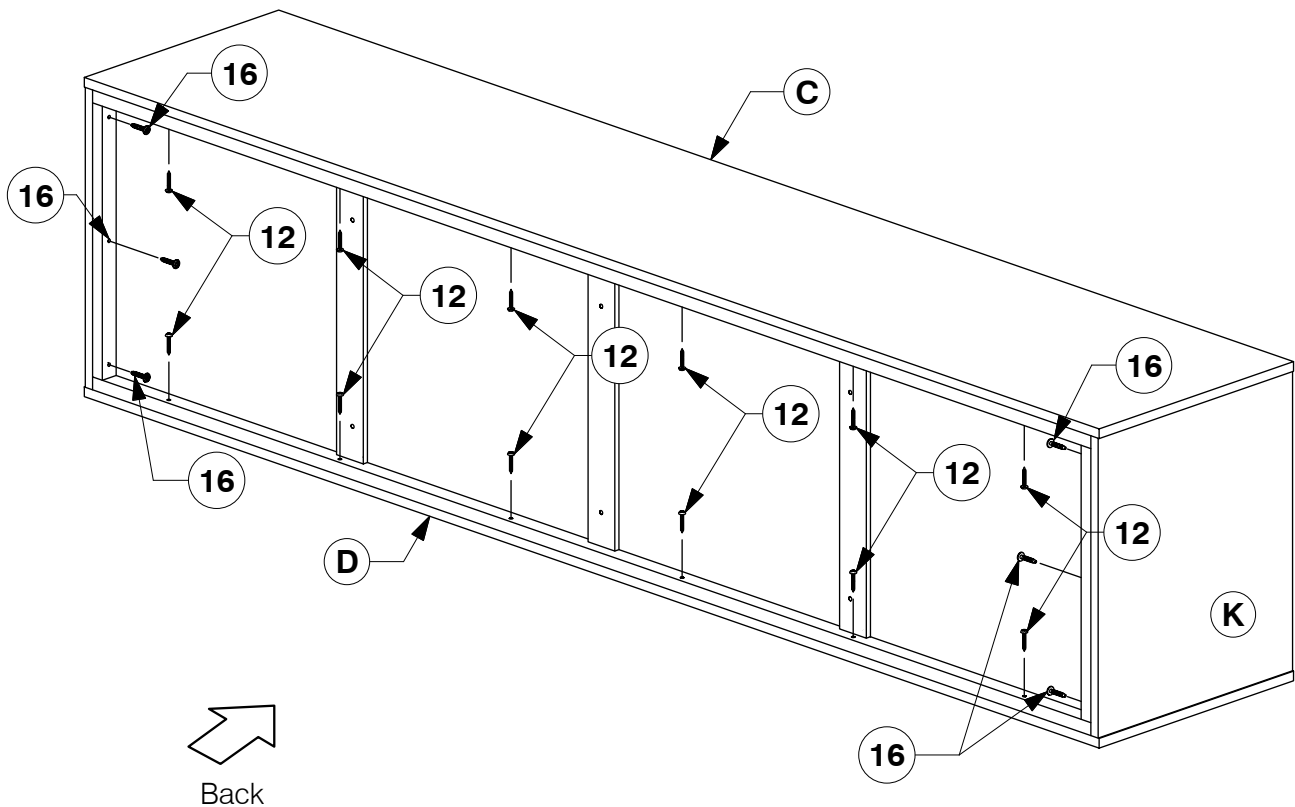
# Queen Bed

## Assembly Instructions

- 10** Attach the Storage Side Panel (K) to the Frame as shown below.



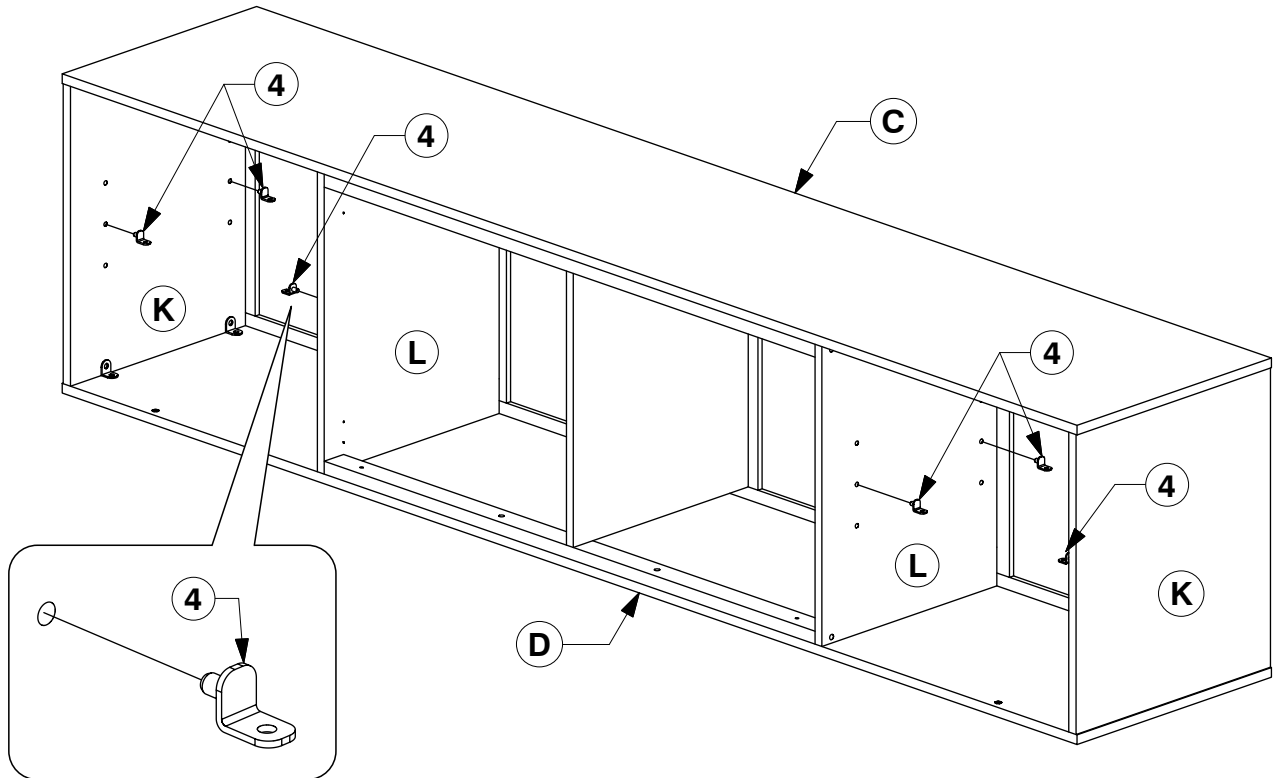
- 11** Fit the bolts & Wood Screw as shown below.



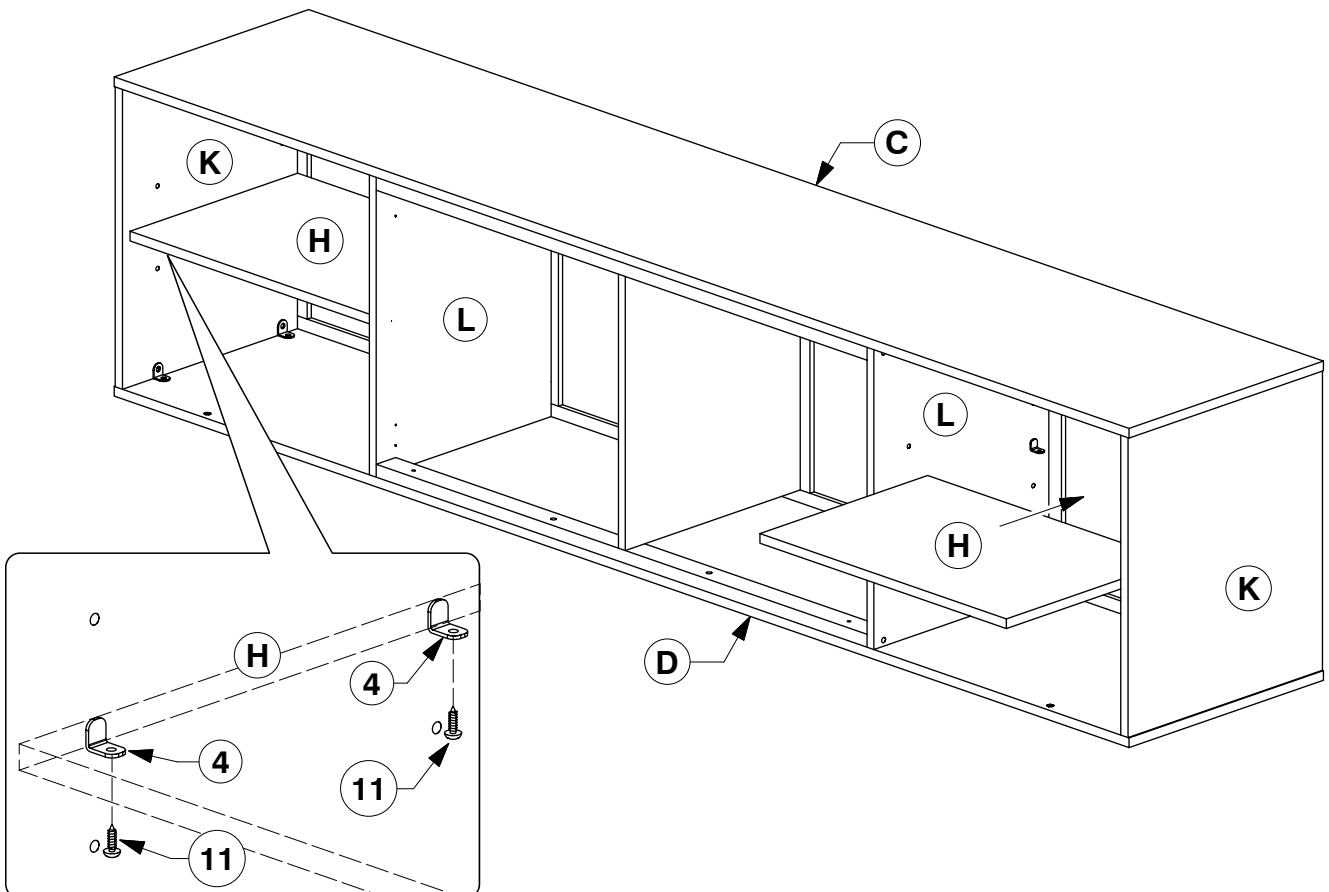
# Queen Bed

## Assembly Instructions

- 12** Fit the Shelf Support to the Storage Side Panel (K) and Storage Divider (L).



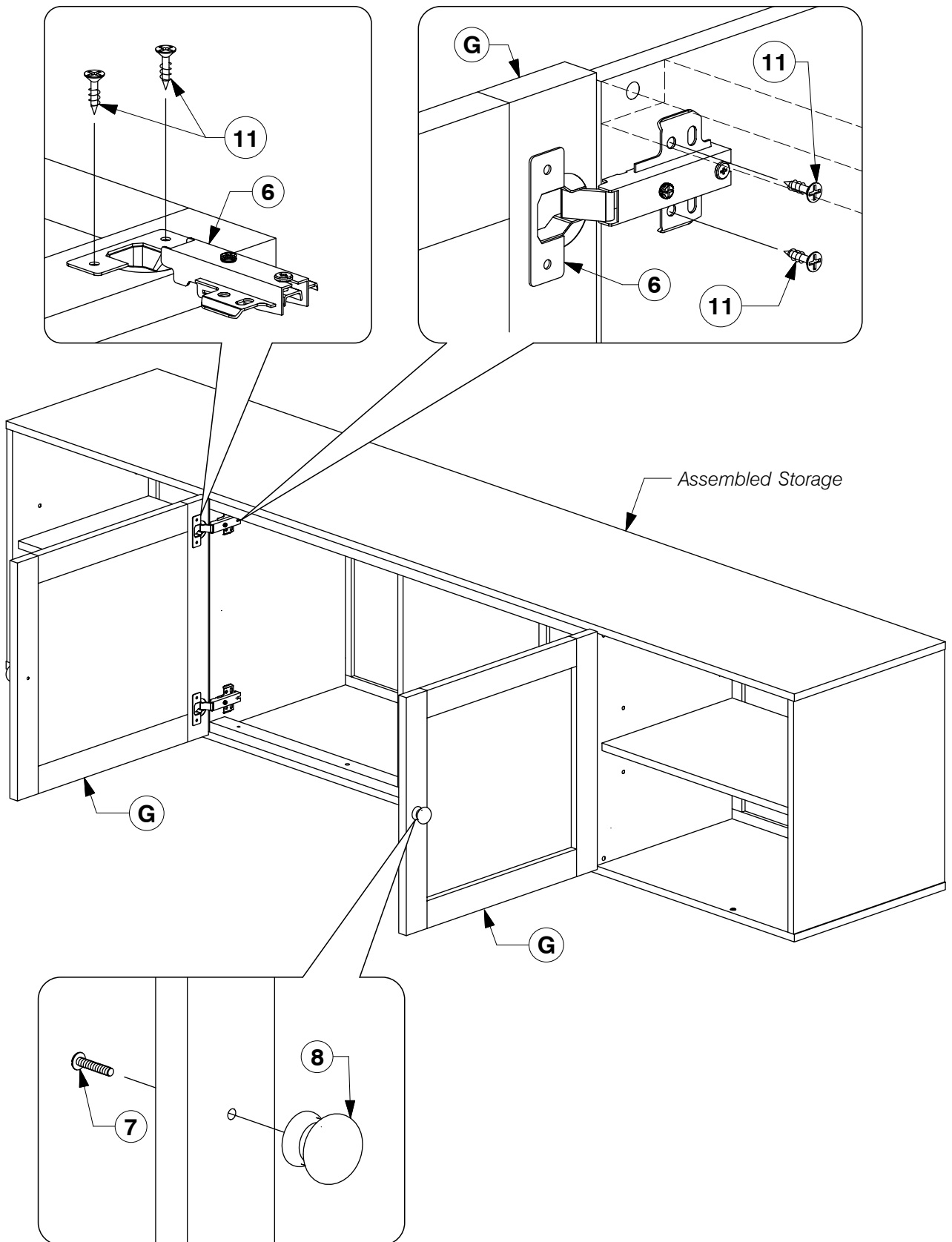
- 13** Fit the Storage Shelf (H) in place.



# Queen Bed

## Assembly Instructions

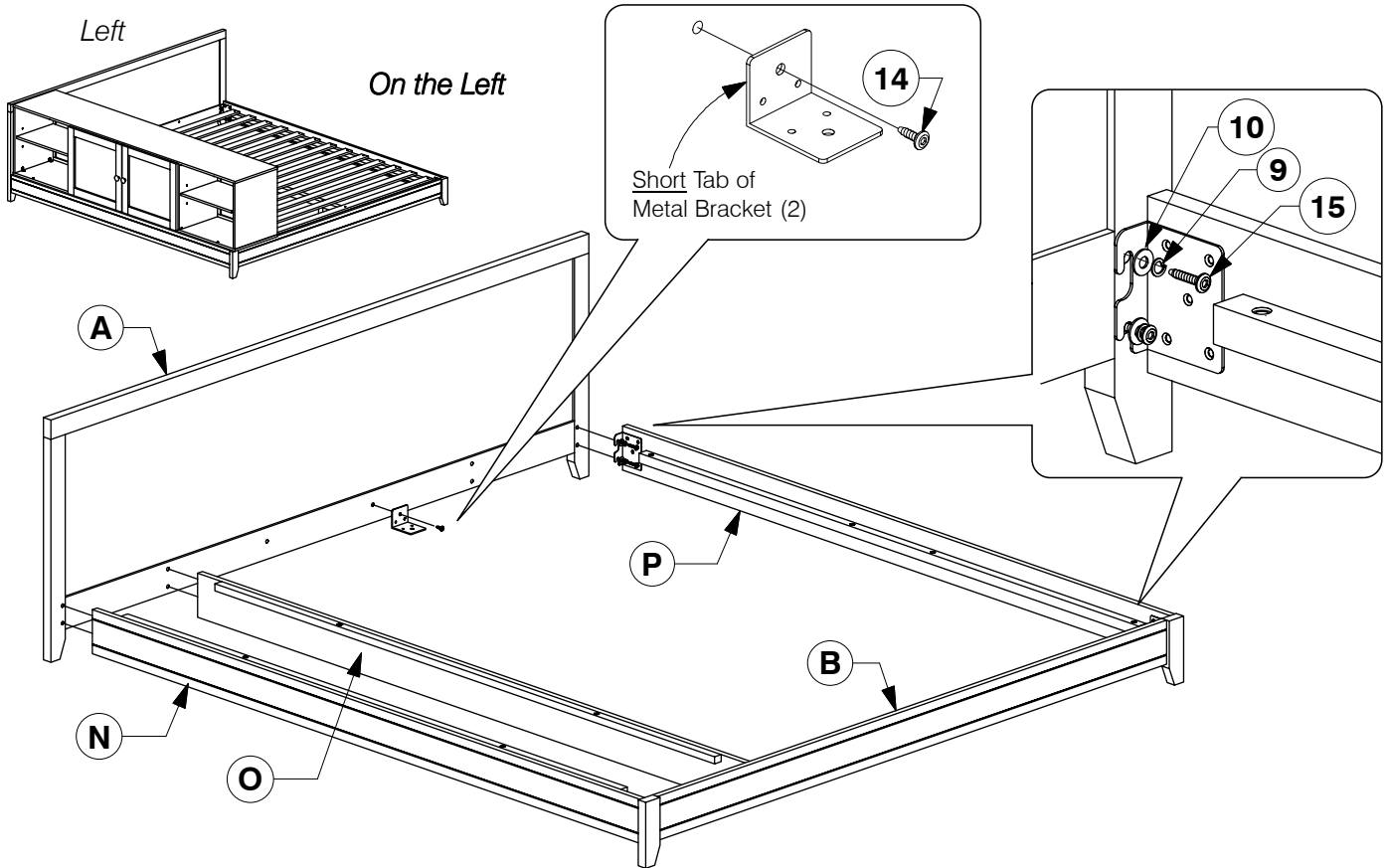
### 14 Fit the Storage Door Panel (G).



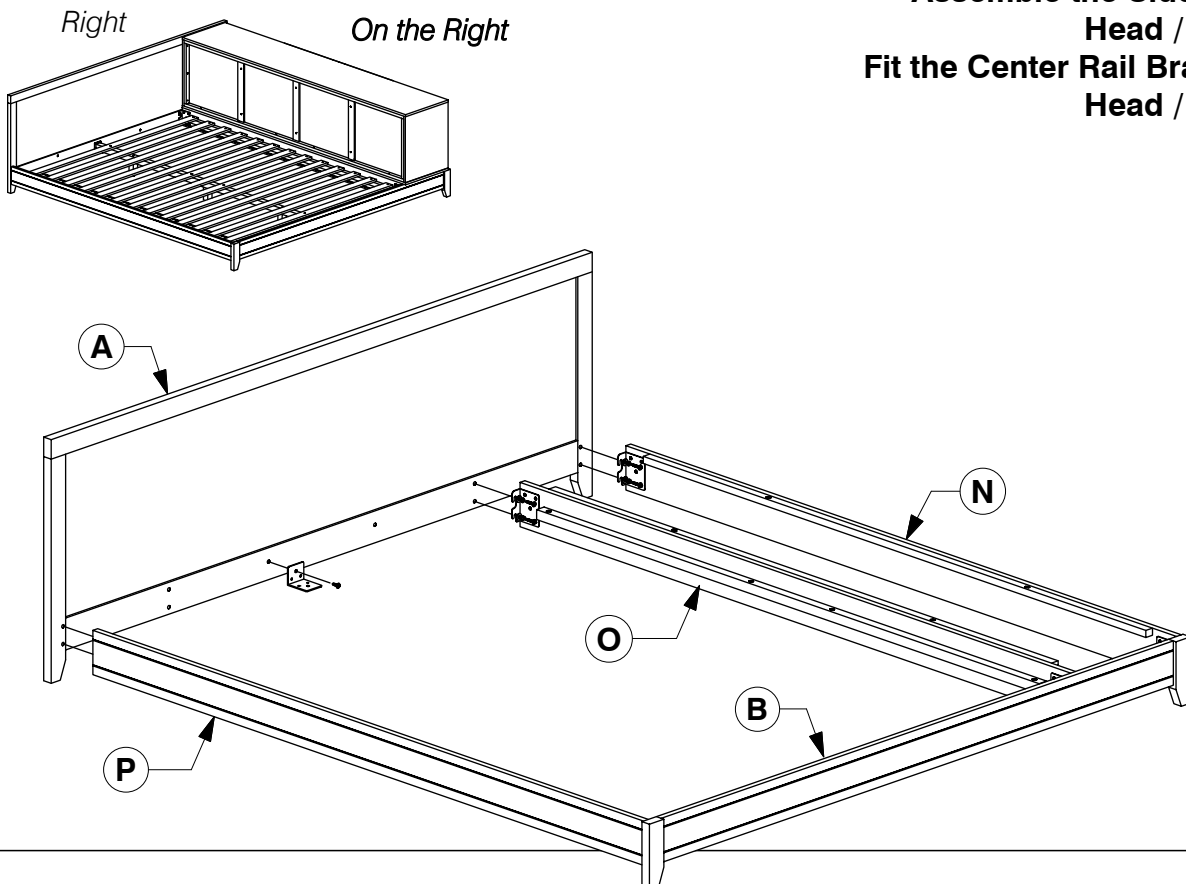
# Queen Bed

## Assembly Instructions

**15** Storage can be assembled on the left or on the right.



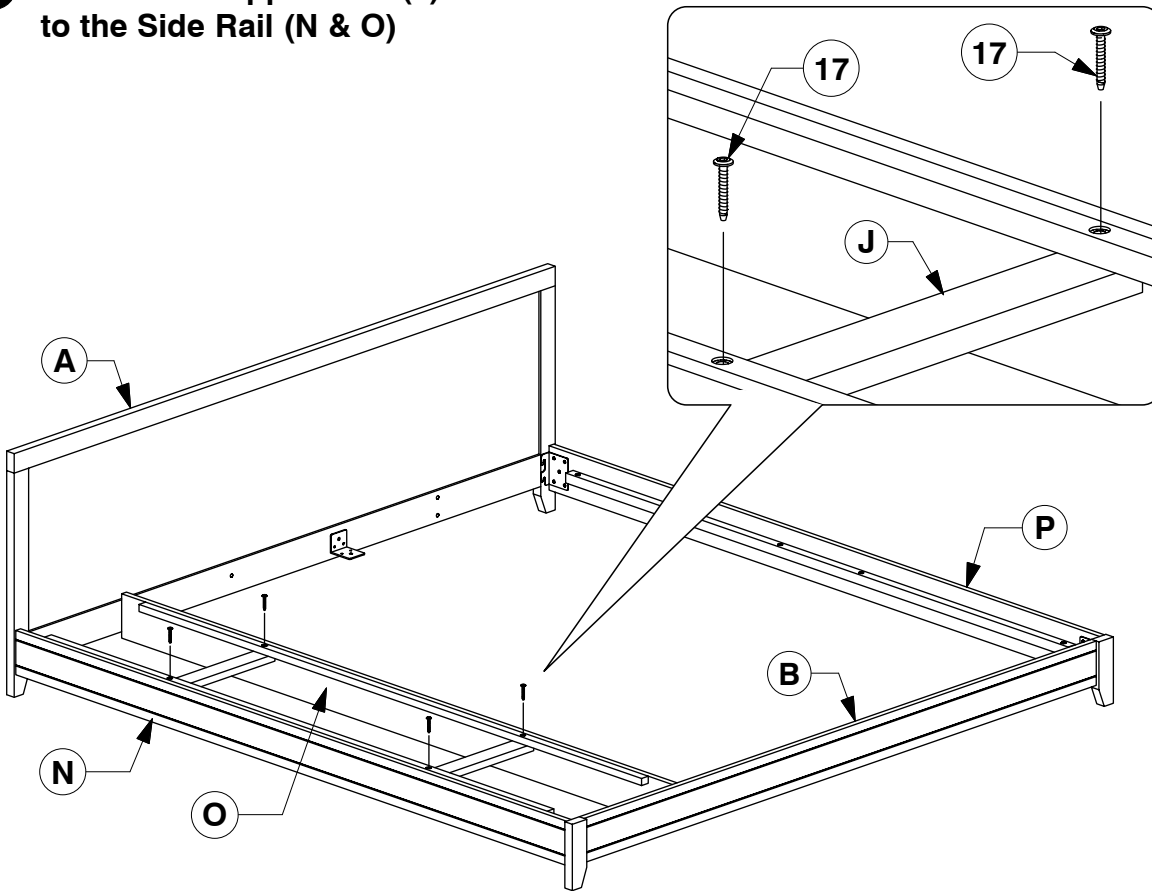
**Assemble the Side Rail to the Head / Footboard.  
Fit the Center Rail Bracket to the Head / Footboard.**



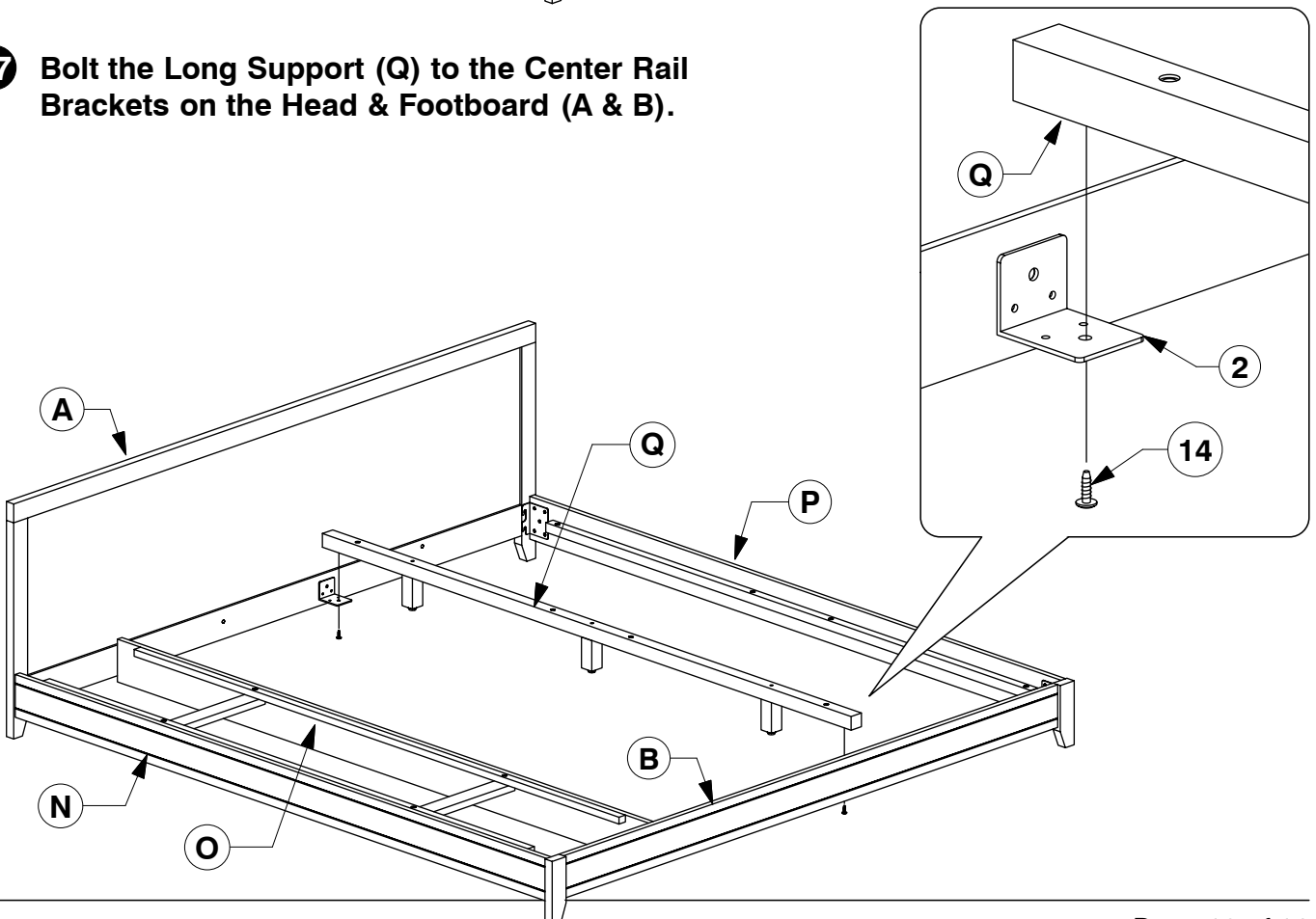
# Queen Bed

## Assembly Instructions

- 16** Attach the Support Bar (J) to the Side Rail (N & O)



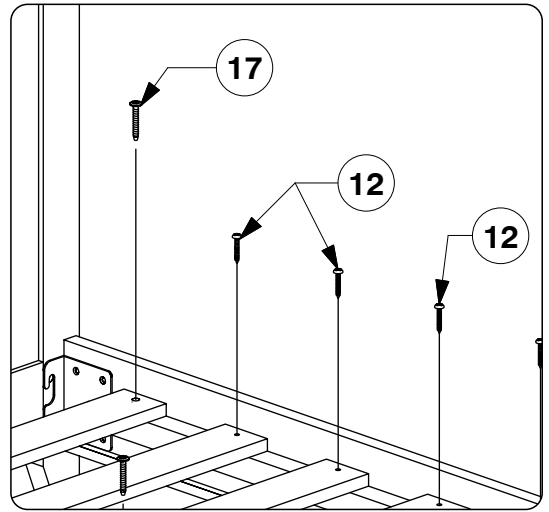
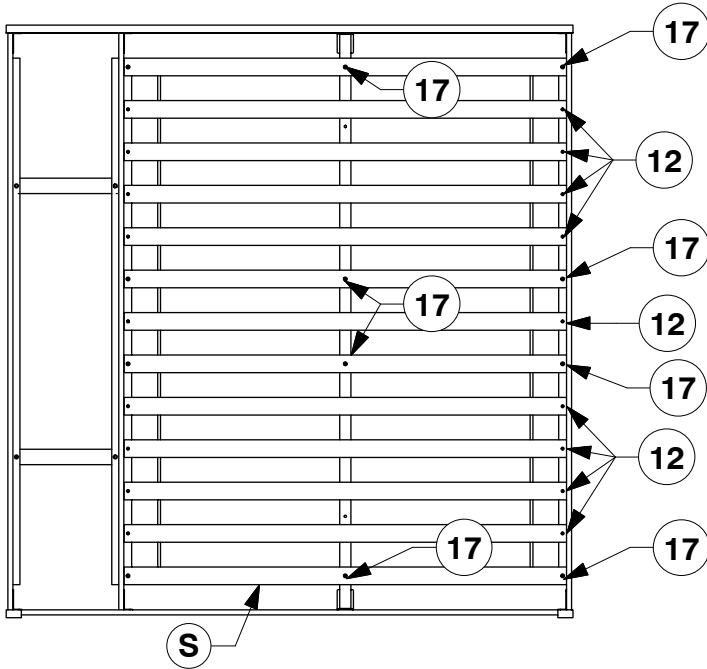
- 17** Bolt the Long Support (Q) to the Center Rail Brackets on the Head & Footboard (A & B).



# Queen Bed

## Assembly Instructions

### 18 Bolt & screw the Bed Slats (S) to the Side Rail.



### 19 Fit the Assembled Storage to the Side Rail.

