

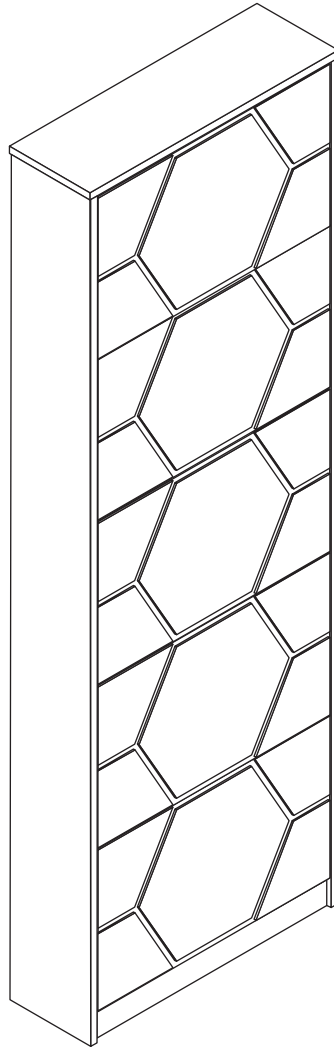
# INSTALLATION MANUAL

## SHOE(STORAGE) CABINET

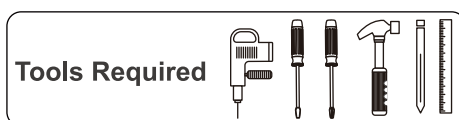
### INTRODUCTION

Before using the product ,please read this manual carefully and then assemble it.

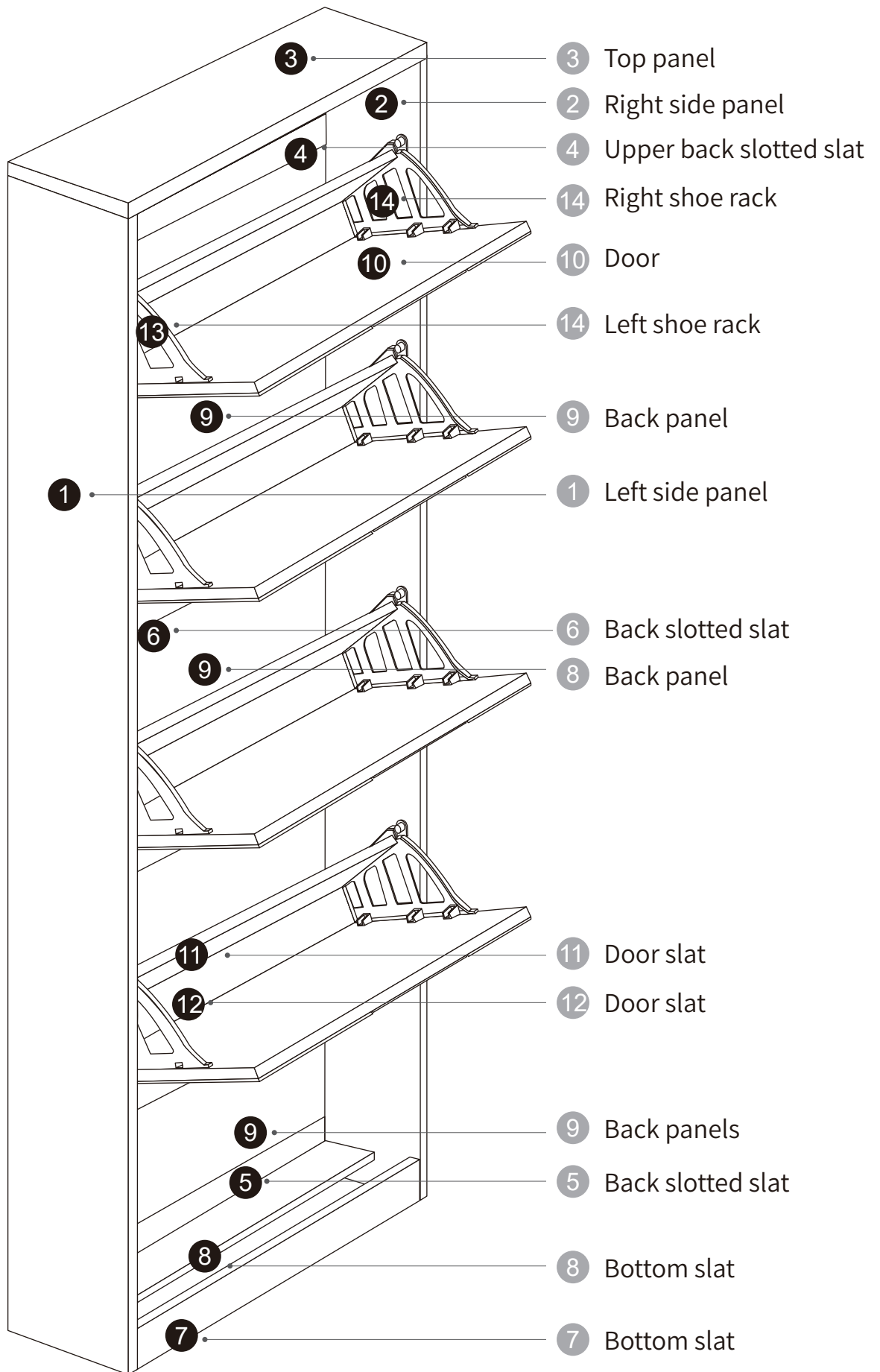
To avoid any injury or damage to the product,please follow below safety rules.



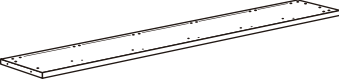
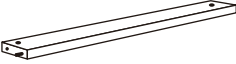
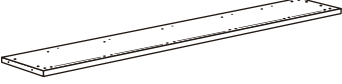
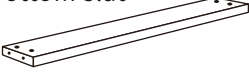
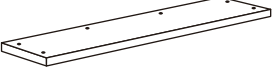
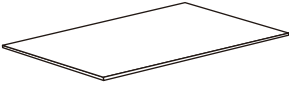

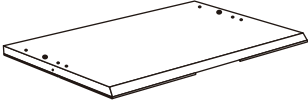

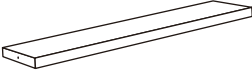

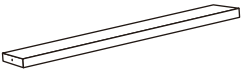
- Product should be installed in a dry,flat place indoor.
- Assembly & movement: minimum 2 adults - heavy and fragile product.
- Make sure all screws in the part list included in the hardware package before assembly.
- In the event of a missing items,contact the seller within 48 hours of receiving the product.



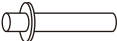
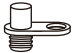






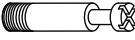


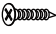


UPDATED ON 11/01/2023



## PARTS LIST

NO.	ILLUSTRATION	QTY	SIZE	NO.	ILLUSTRATION	QTY	SIZE
1	Left Side panel 	1	1785x194x15mm	7	Bottom slat 	1	570x66x15mm
2	Right Side panel 	1	1785x194x15mm	8	Bottom slat 	1	570x97x15mm
3	Top panel 	1	600x194x15mm	9	Back panel 	4	576x340x5mm
4	Upper back slotted slat 	1	570x94x15mm	10	Door 	5	566x340x15mm
5	Back slotted slat 	1	570x94x15mm	11	Door slat 	5	554x128x12mm
6	Back slotted slat 	3	570x94x15mm	12	Door slat 	5	554x80x12mm

NO.	ILLUSTRATION	QTY	SIZE
13	 Left shoe rack	5	
14	 Right shoe rack	5	
15		10	
16		10	
17		20	3.5x10mm
18		10	3.5x14mm
19		30	3.5x16mm

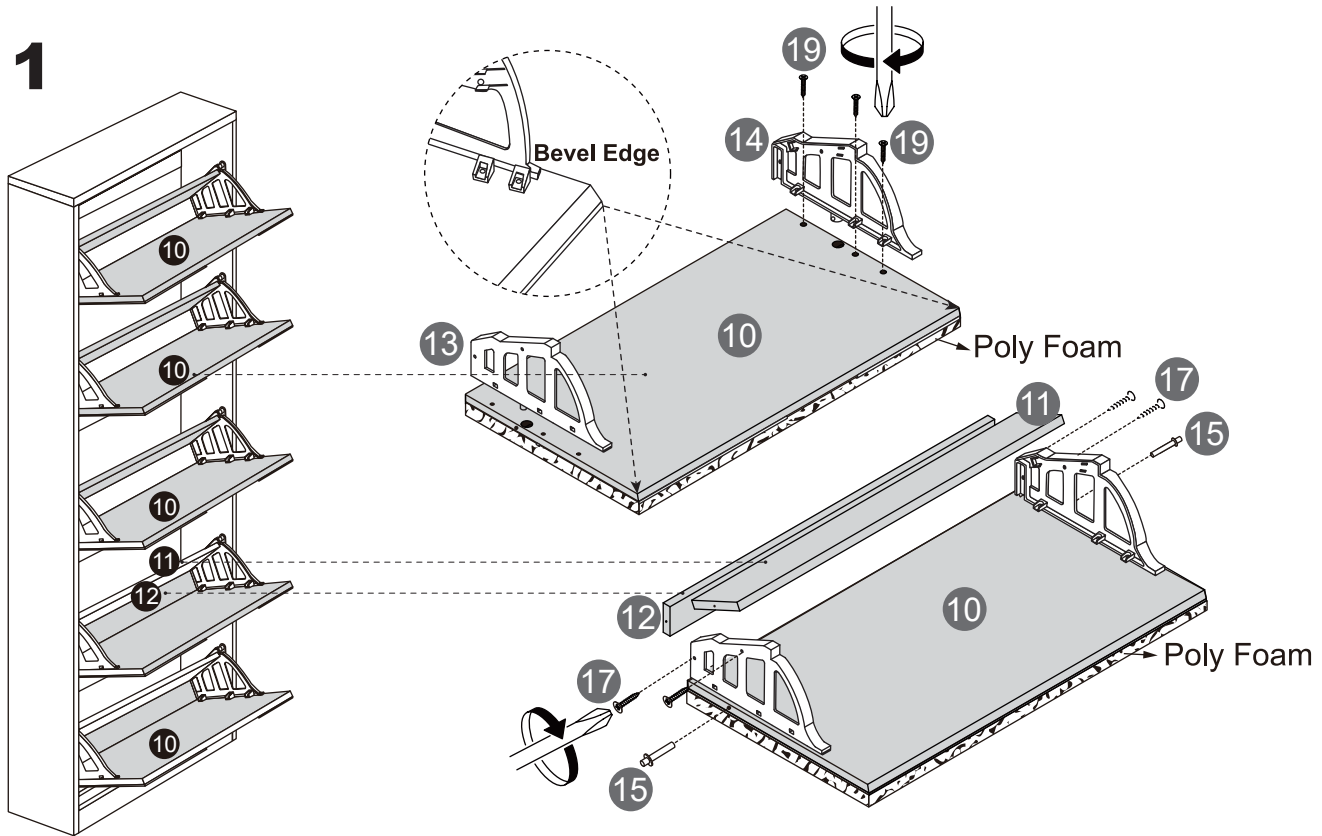
NO.	ILLUSTRATION	QTY	SIZE
20		32	
21		32	
22	 anti-falling	2	
23	 anti-falling	4	
24	 anti-falling	2	
25	 anti-falling	2	
26	 anti-falling	2	

# INSTALLATION

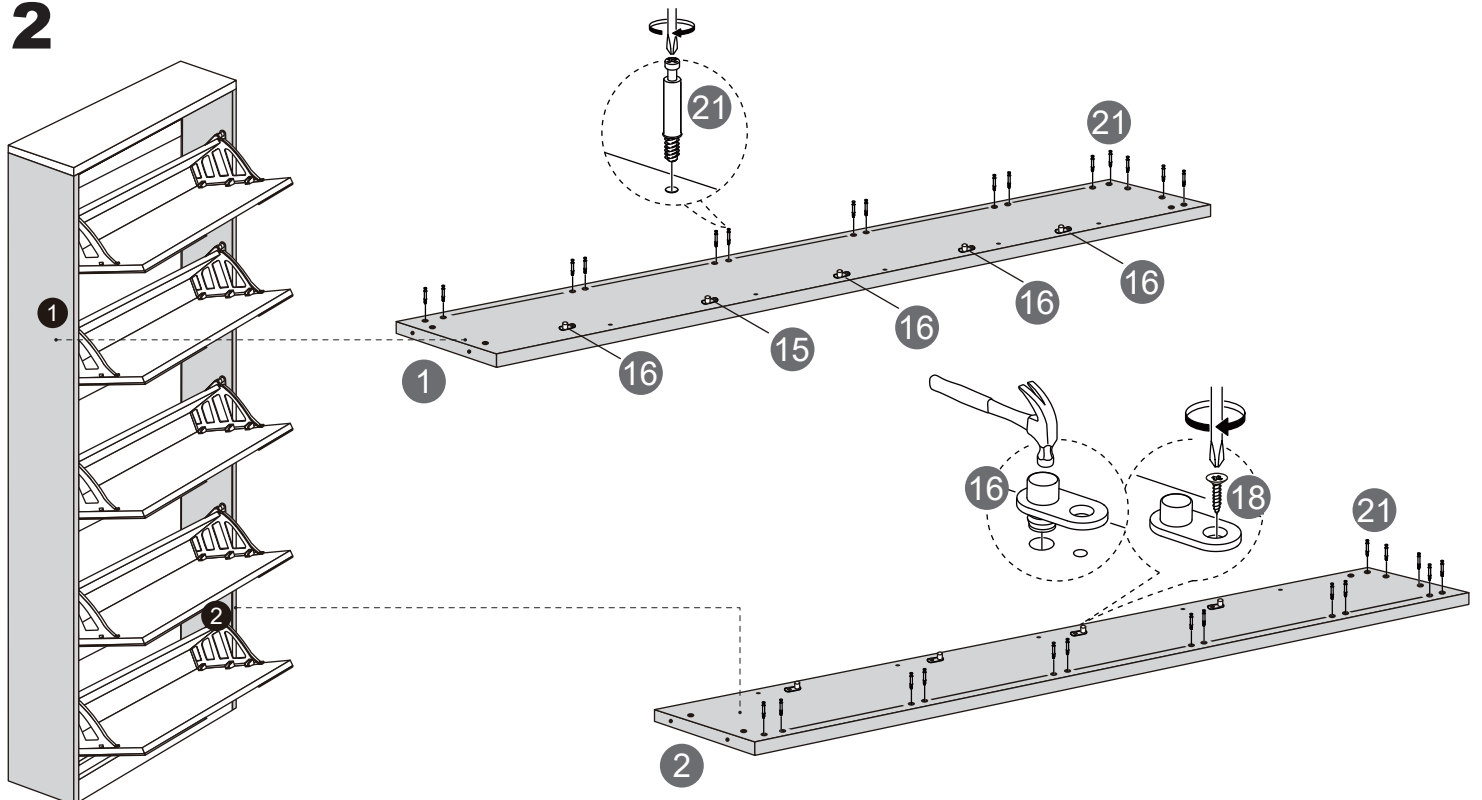
Please read the instructions carefully before assembling the cabinet.

Two adults are required for assembly of this product on a clean, flat surface instead of a rough surface.

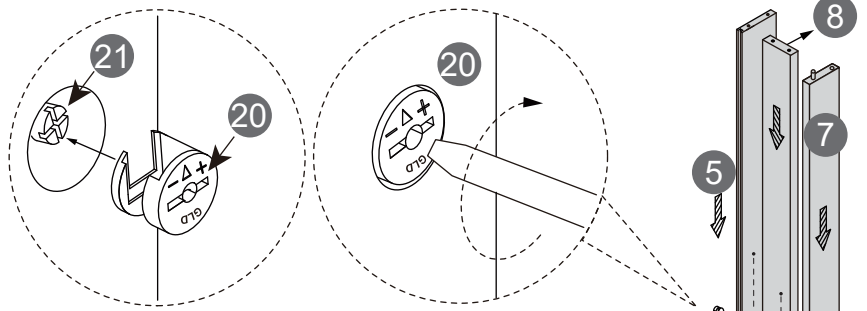
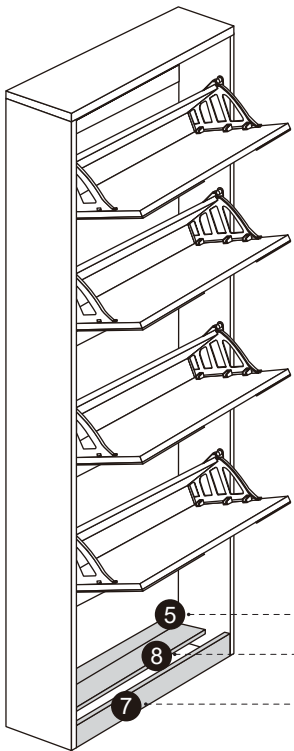
## 1



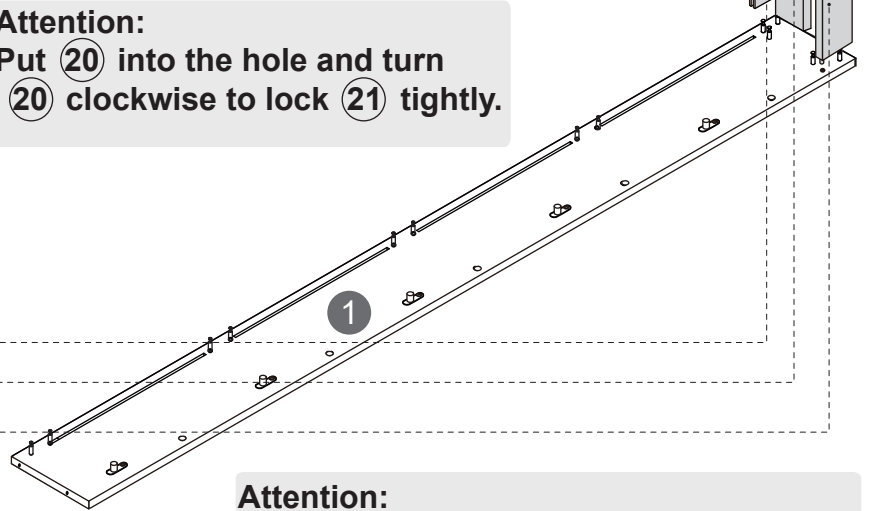
## 2



# 3

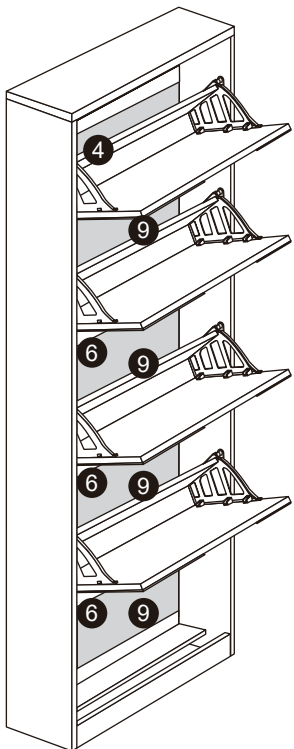


**Attention:**  
Put 20 into the hole and turn 20 clockwise to lock 21 tightly.

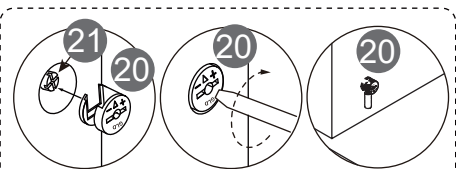


**Attention:**  
Make sure back panels fall into the slots.

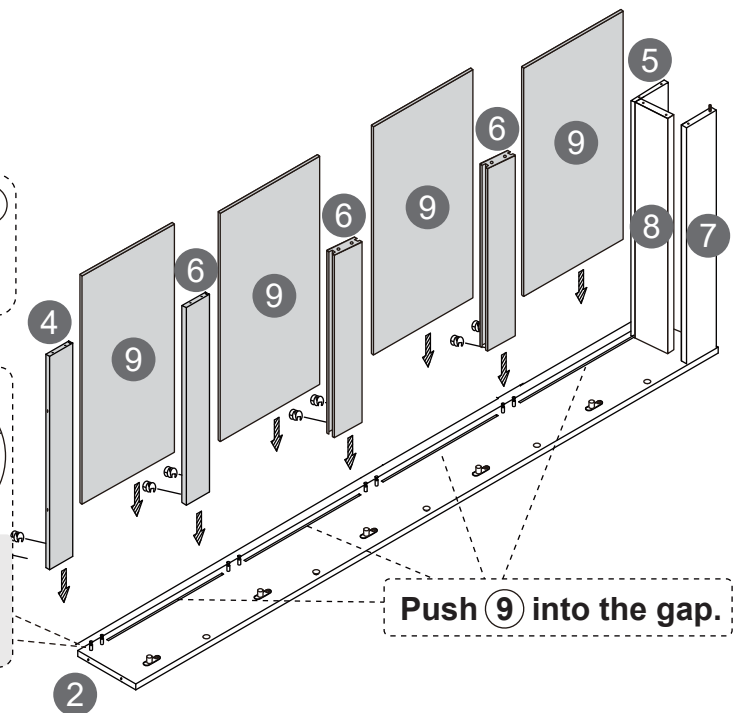
# 4



Fix the 4 boards 4 6 6 6 in order then insert the No. 9 board.

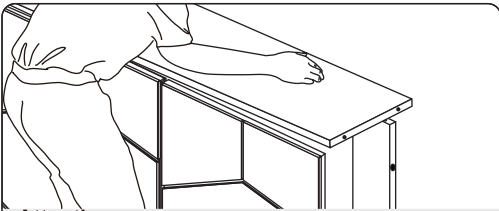
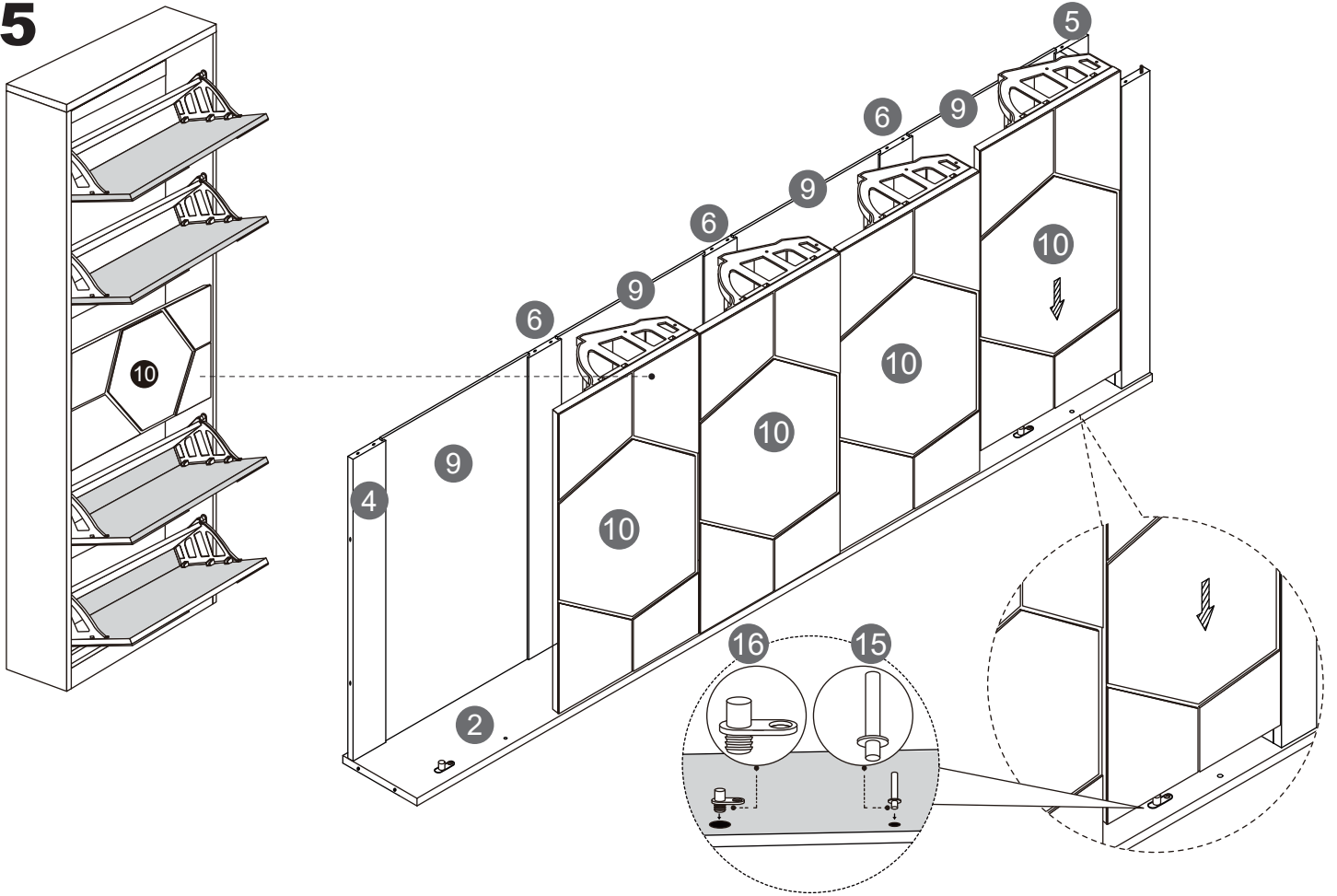


**Attention:**  
Put 20 into the hole and turn 20 clockwise to lock 21 tightly.

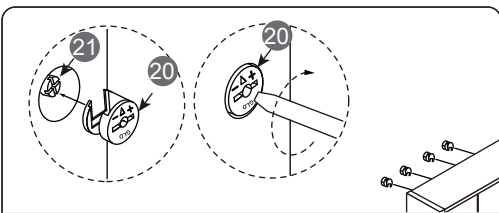


Push 9 into the gap.

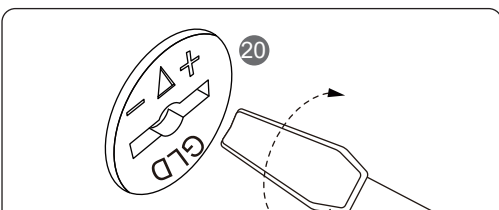
5



**Attention:**  
Make sure side panel fall into slots,if the side panel is not fully fit,please tap the side panel tightly to adjust.

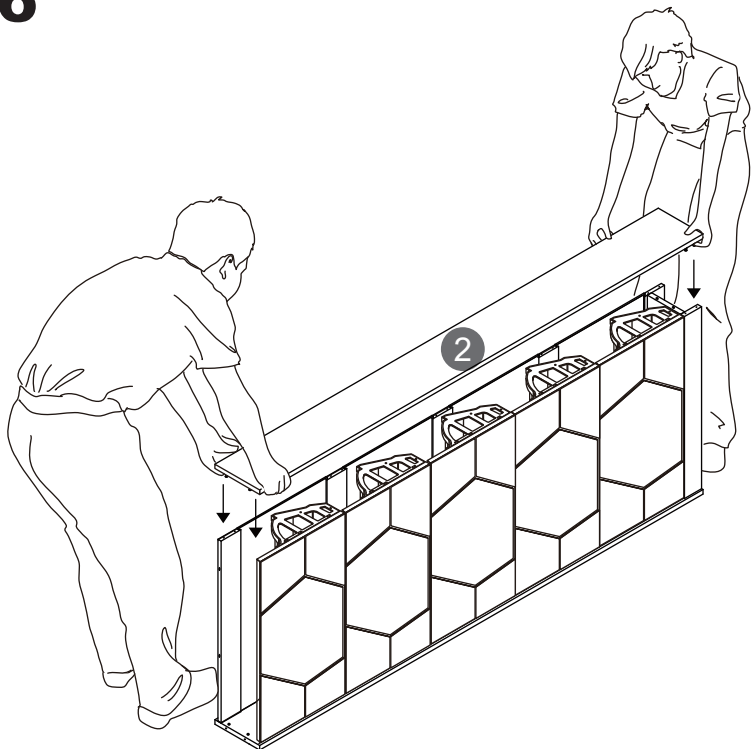


**Attention:**  
Make sure all screws locked tightly.

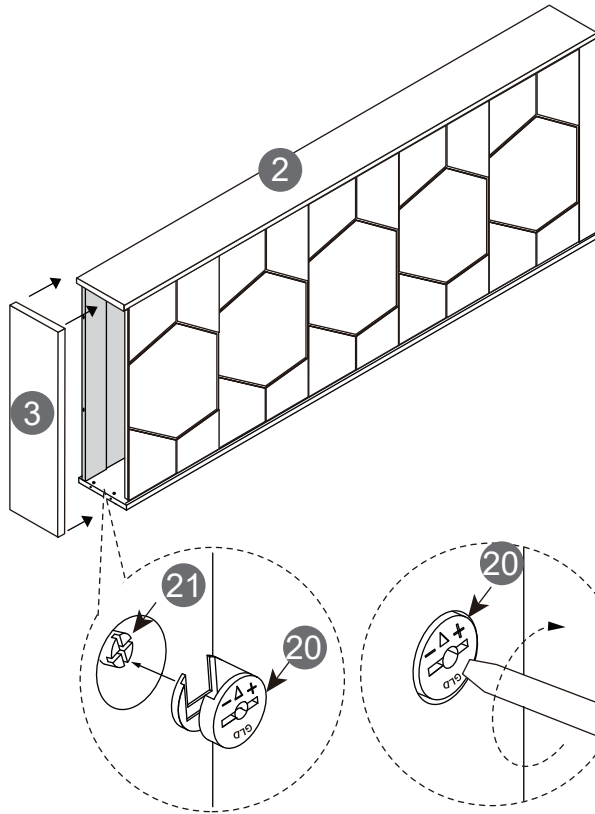


**Attention:**  
Put 20 into the hole and turn 20 clockwise to lock 21 tightly.

6



7



**Attention:**  
Put 20 into the hole and turn 20 clockwise to lock 21 tightly.

8

