

GE18SNHPDG/GE24DNHPDG/GE27DNHPDG

GE® Tankless Electric Water Heater

DIMENSIONS AND INSTALLATION INFORMATION (IN INCHES)

LOCAL INSTALLATION REGULATIONS:

This water heater must be installed in accordance with these instructions, local codes, utility codes, utility company requirements or, in the absence of local codes, the latest edition of the National Electrical Code. It is available from some local libraries or can be purchased from the National Fire Preventions Association, Batterymarch park, Quincy, MA 02169 as booklet ANSI/NFPA 70.

INSTALLATION INFORMATION: For complete information, see installation instruction packed with your water heater.

POWER REQUIREMENTS: Check the markings on the rating plate of the water heater to be certain the power supply corresponds to the water heater requirements.

LOCATION: Locate the water heater in a clean dry area as near as practical to the area of the greatest heated water demand. Long uninsulated hot water lines can waste energy and water.

REQUIRED CLEARANCES: The controls and plumbing connections at front of unit must have clear access for operation and service. There must be sufficient clearance between any object at the top, rear and sides of the water heater in the event service is needed.

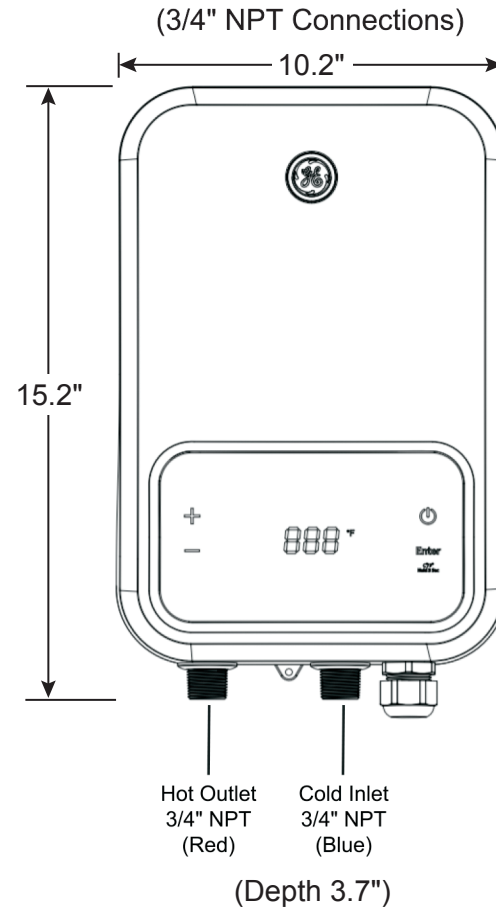


Illustration intended for dimensional reference only. Refer to photograph for actual product appearance



For answers to your GE Profile™ or GE Appliances product questions, visit our website at geappliances.com or call GE Answer Center® Service, 800.626.2000.



Conforms to UL STD. 499
Certified to CSA STD.
C22.2 NO.64



Conforms to
NSF/ANSI 372



GE18SNHPDG/GE24DNHPDG/GE27DNHPDG

GE® Tankless Electric Water Heater

FEATURES AND BENEFITS

Unlimited Hot Water on Demand – Tankless electric water heater provides instant, continuous water flow

Point of Use – Installs at the point of use, for hot water where you need it

Performance –

-Up to 3.8 Gallons Per Minute (GPM*) Enough to run 1 faucet and 2 showers simultaneously in warm climates (GE18)

-Up to 5.3 Gallons Per Minute (GPM*) Enough to run 2 showers and 4 faucets simultaneously in warm climates (GE24)

-Up to 5.4 Gallons Per Minute (GPM*) Enough to run 3 showers and 1 faucet simultaneously in warm climates (GE27)

*Results are based on 72°F inlet water temperature and 105°F outlet water temperature

Intuitive Design – Adjust temperature and settings with easy-use touch screen

Energy Efficient – Conserves energy and water by only using energy when hot water is in use, saving you money

Space Saver – Compact design takes up significantly less space than a tank style water heater

Scale Reduction Technology – Extends the life of the unit by shielding heating element from water and scale buildup

Self Modulating Technology – Utilizes inlet and outlet temperature sensors to optimize energy usage and keep water temperature consistent

Warranty - 5-year Limited Replacement Warranty**

Model GE18SNHPDG - Diamond Grey

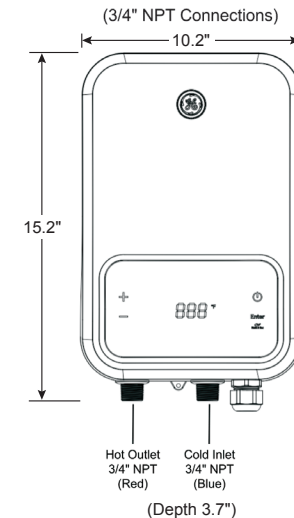
Model GE24DNHPDG - Diamond Grey

Model GE27DNHPDG - Diamond Grey

**See written warranty for full details



FRONT



BACK

