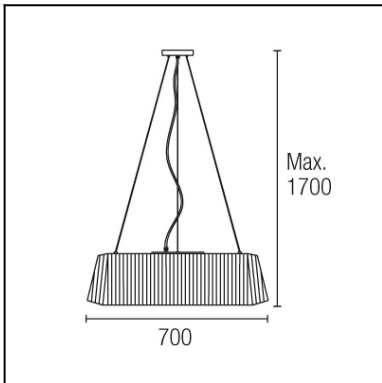
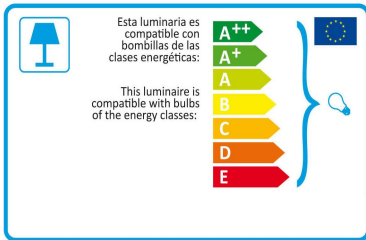




The photograph may not match the reference exactly. Please read the product description to identify the finish.



[Download photometric file .ldt /.ies](#)



[Click on image to download energy label](#)

TECHNICAL CHARACTERISTICS

Type:	Ceiling fixture
IP Protection degrees:	IP23
Light source 1:	3 x E27 max.40W Maximum lamp length: 200.00 mm Maximum lamp diameter: 50.00 mm
Voltage / Frequency:	220-240V/50-60Hz
Units per box:	2
Net Weight (Kg):	4.3



MATERIALS / FINISHES

Structure material:	Steel	Diffuser material:	Fabric shade Acrylic
Structure finish:	White	Diffuser finish:	Beige Satin

OPTIONAL ACCESSORIES



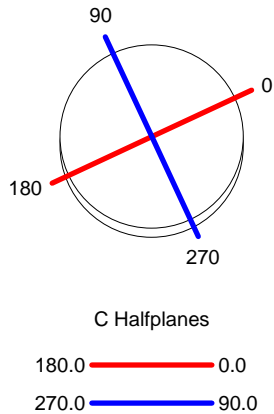
Suspension Kit, Satin nickel

IP20

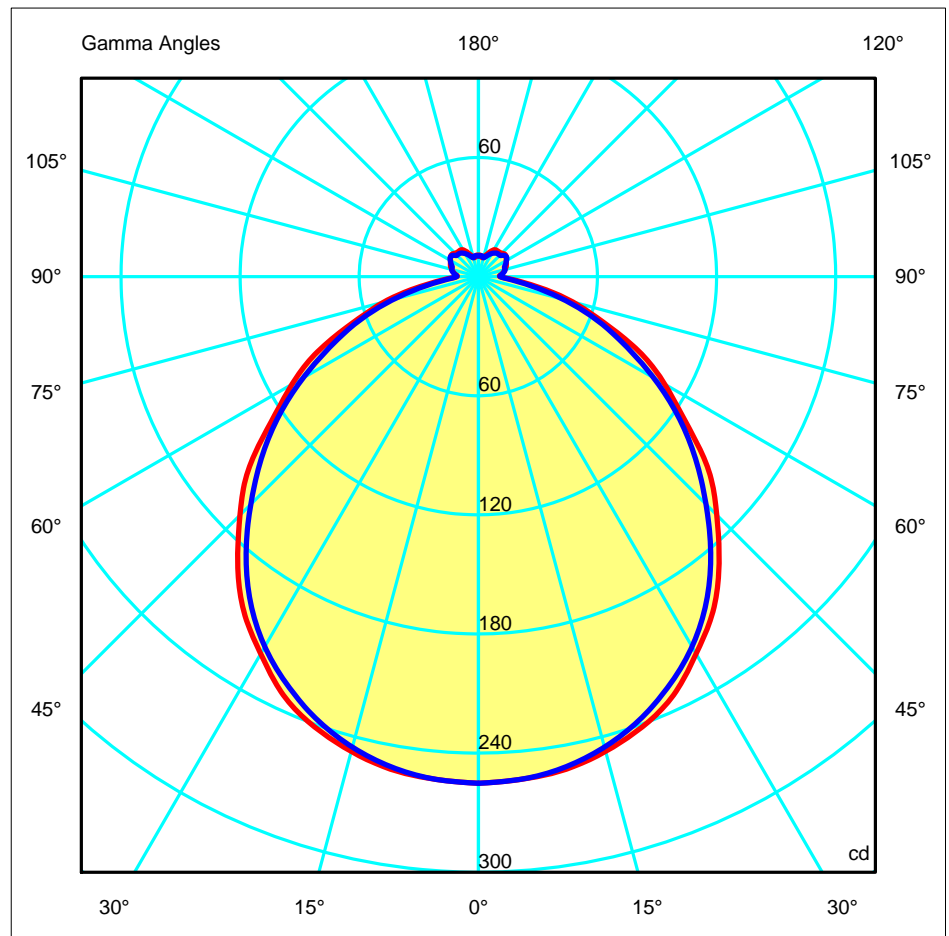
Luminaire		Measur.		Lamp	
Name	Luminaria 3x40W inc. tela+opal	Name	Luminaria 3x40W inc. tela+opal	Code	STANDARD S 40W E27
Line	Eulumdat			Number	3
				Position	
Efficiency	68.10%	Coordinate system	CG	Total Flux	1170.00 lm
Maximum value	255.11 cd	Position	C=0.00 G=0.00	Double Symmetrical	
Round Luminaire	Diam.	700 mm	Height	190 mm	
Round Luminous Area	Diam.	700 mm	Height	190 mm	
Horizontal Luminous Area	0.384845 m2		Emitting area on Plane 180°	0.133000 m2	
Emitting area on Plane 0°	0.133000 m2		Emitting area on Plane 270°	0.133000 m2	
Emitting area on Plane 90°	0.133000 m2		Glare area at 76°	0.222152 m2	
Symmetry Type	Double Symmetrical	Maximum Gamma Angle	180		
Measurement Distance	0.00	Measurement Flux	1170.00 lm		
Operator	Asselum T2	Source voltage			
Temperature	25.00 °C	Source current			
Humidity	60.00 %	Photocell			
Notes					

Luminaire Lamps					
Line	Code	Name	Flux [lm]	Pow. [W]	Q.ty
Eulumdat	STANDARD S 40W E27	STANDARD S 40W E27 - 40.00 W	390.00	40.00	3
C.I.E.	48 79 95 89 68	D DIN 5040			
F UTE	0.60 E + 0.08 T	B NBN	B31	BZ 4 / 3 / BZ 5	

Diam=700mm



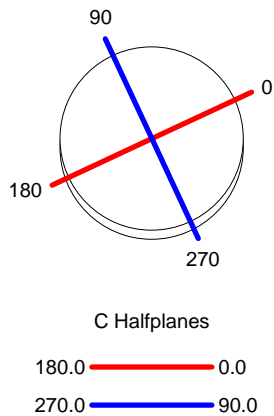
ULOR 7.68 %
DLOR 60.42 %
RN 11.28 %



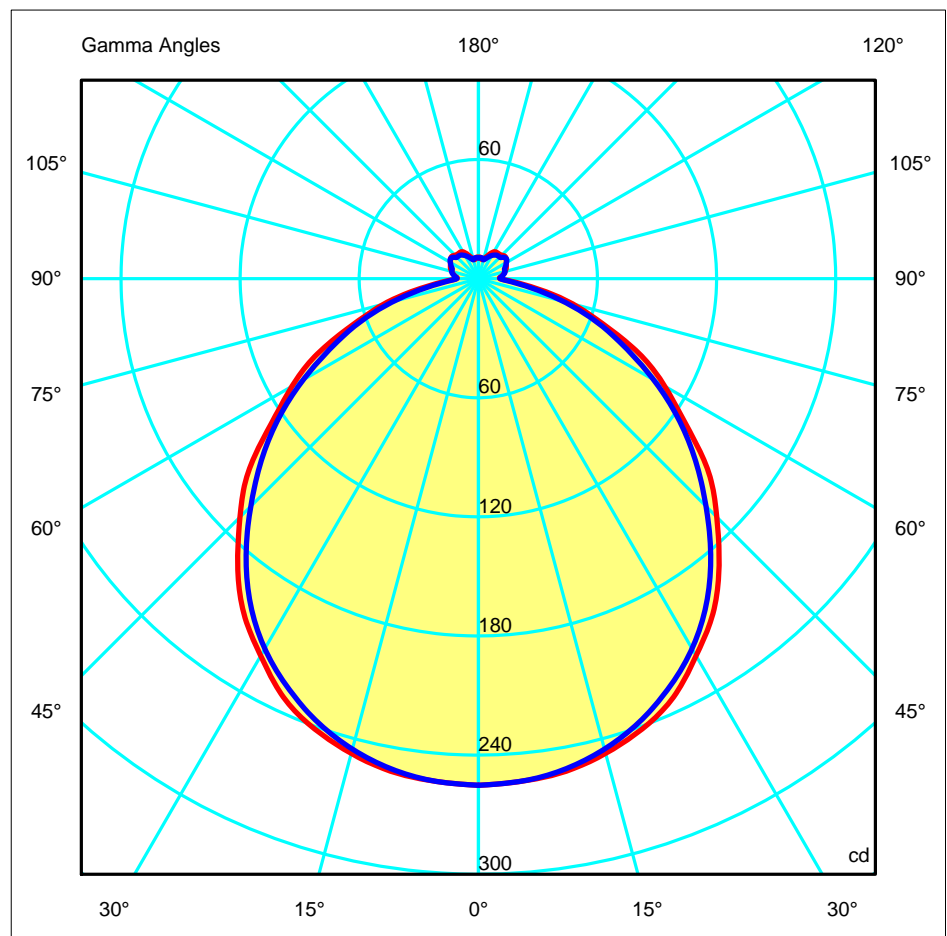
Luminaire		Measur.		Lamp	
Name	Luminaria 3x40W inc. tela+opal	Name	Luminaria 3x40W inc. tela+opal	Code	STANDARD S 40W E27
Line	Eulumdat			Number	3
				Position	
Efficiency	68.10%	Coordinate system	CG	Total Flux	1170.00 lm
Maximum value	255.11 cd	Position	C=0.00 G=0.00	Double Symmetrical	
Round Luminaire	Diam.	700 mm	Height	190 mm	
Round Luminous Area	Diam.	700 mm	Height	190 mm	
Horizontal Luminous Area	0.384845 m2	Emitting area on Plane 180°	0.133000 m2		
Emitting area on Plane 0°	0.133000 m2	Emitting area on Plane 270°	0.133000 m2		
Emitting area on Plane 90°	0.133000 m2	Glare area at 76°	0.222152 m2		
Symmetry Type	Double Symmetrical	Maximum Gamma Angle	180		
Measurement Distance	0.00	Measurement Flux	1170.00 lm		
Operator	Asselum T2	Source voltage			
Temperature	25.00 °C	Source current			
Humidity	60.00 %	Photocell			
Notes					

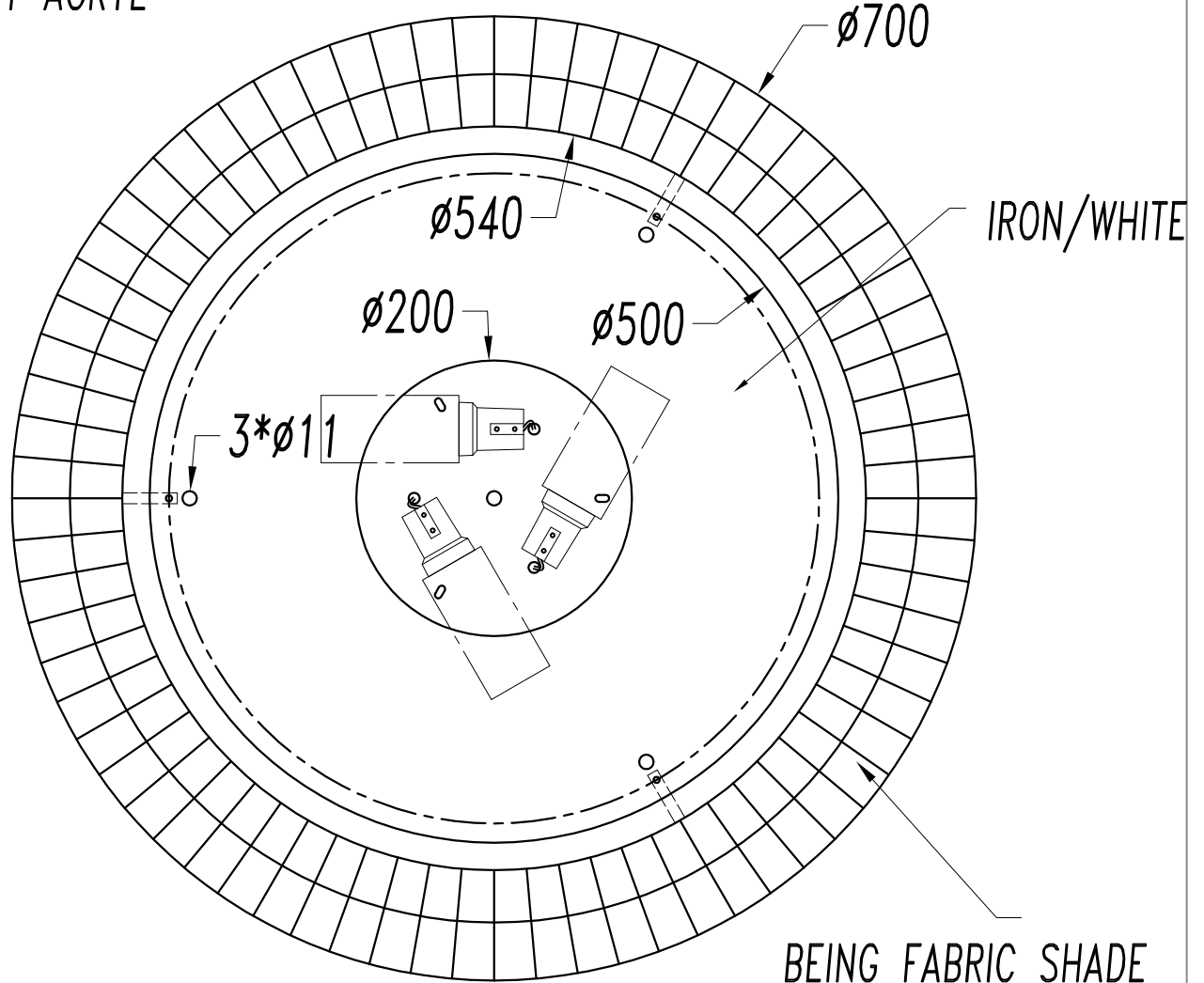
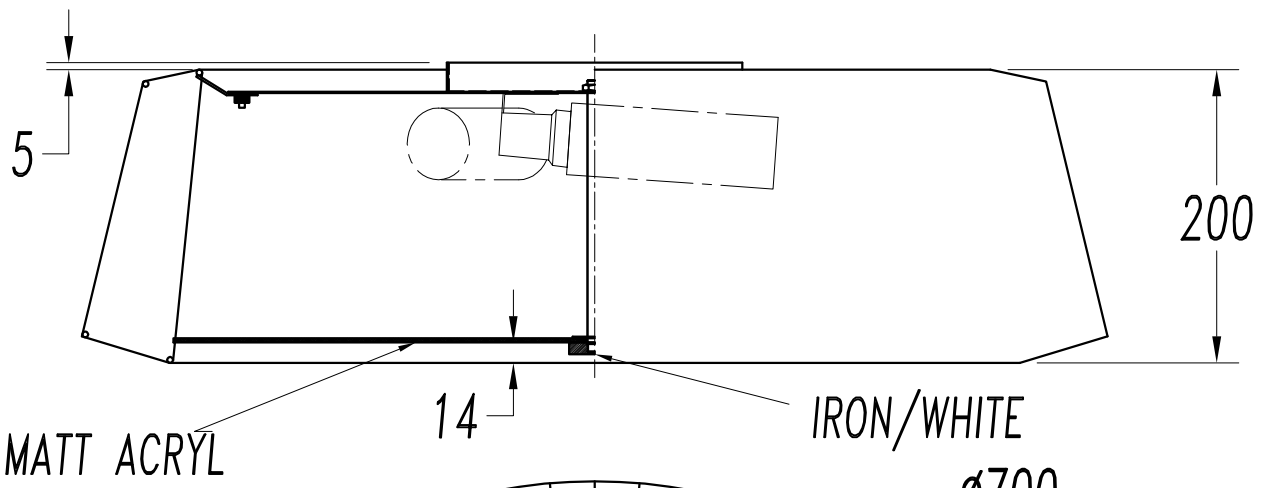
Luminaire Lamps					
Line	Code	Name	Flux [lm]	Pow. [W]	Q.ty
Eulumdat	STANDARD S 40W E27	STANDARD S 40W E27 - 40.00 W	390.00	40.00	3
C.I.E.	48 79 95 89 68	D DIN 5040			
F UTE	0.60 E + 0.08 T	B NBN	B31	BZ 4 / 3 / BZ 5	

Diam=700mm

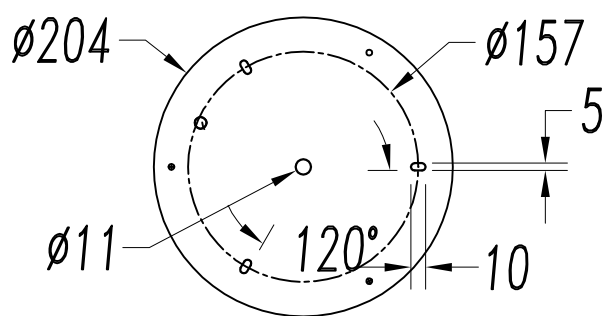


ULOR 7.68 %
DLOR 60.42 %
RN 11.28 %

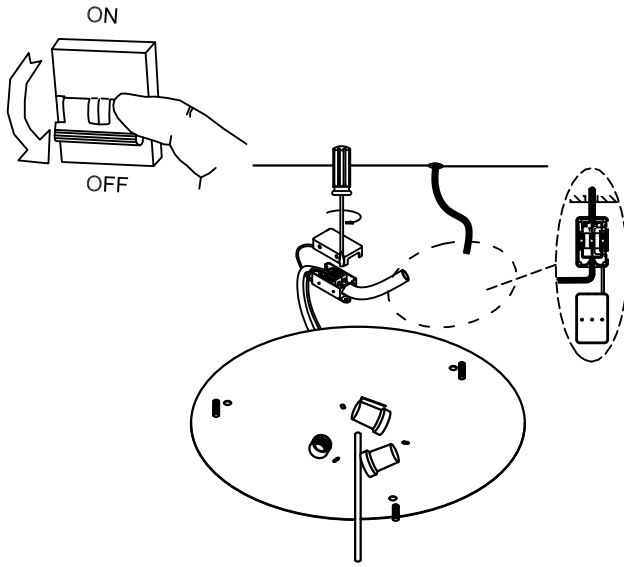




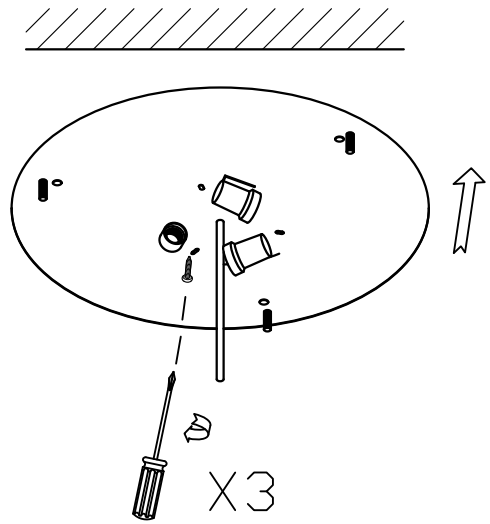
BEING FABRIC SHADE
BROWN FABRIC SHADE



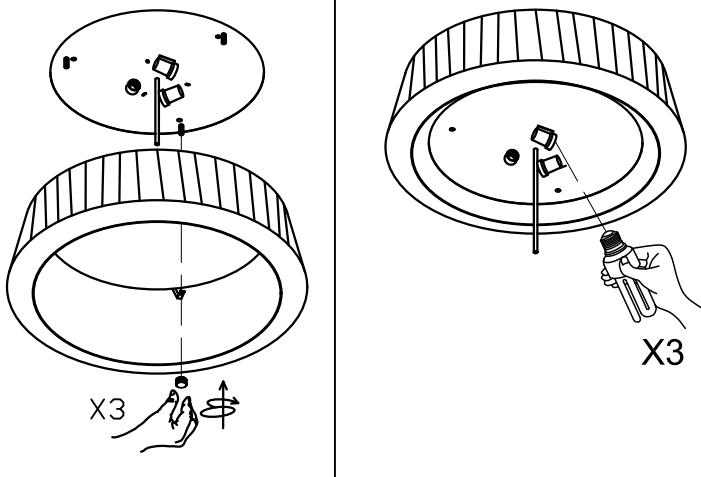
1



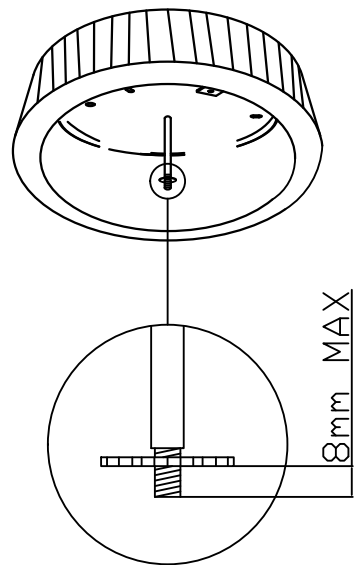
2



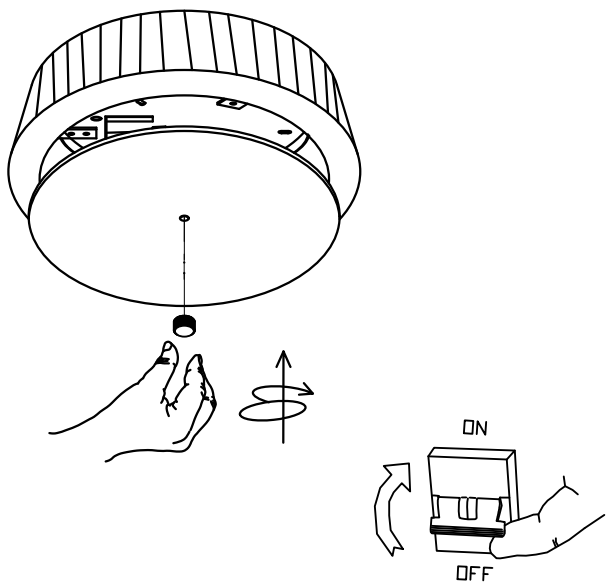
3



4



5



6

