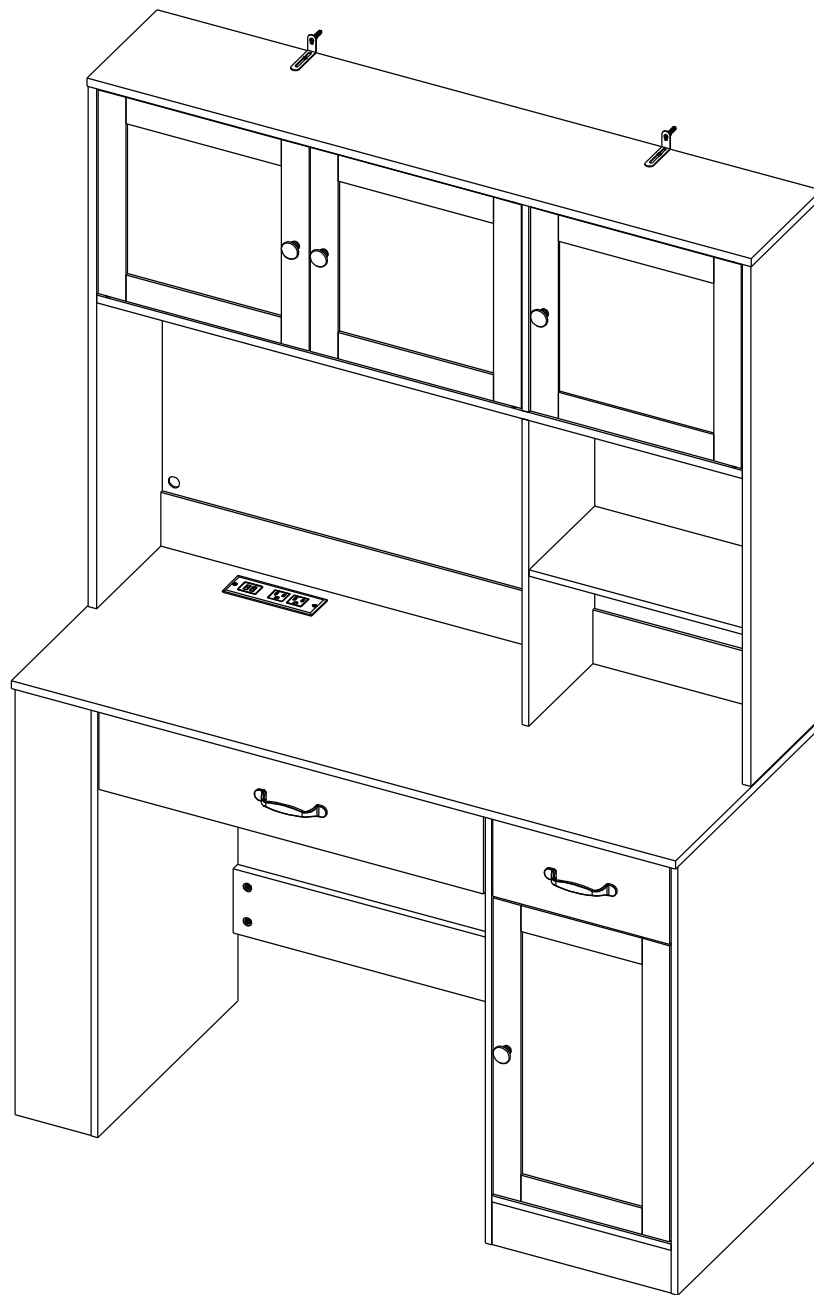


# User's Manual

---

## Computer Table



KLV-PB-090 / KLV-PB-091 V1.0

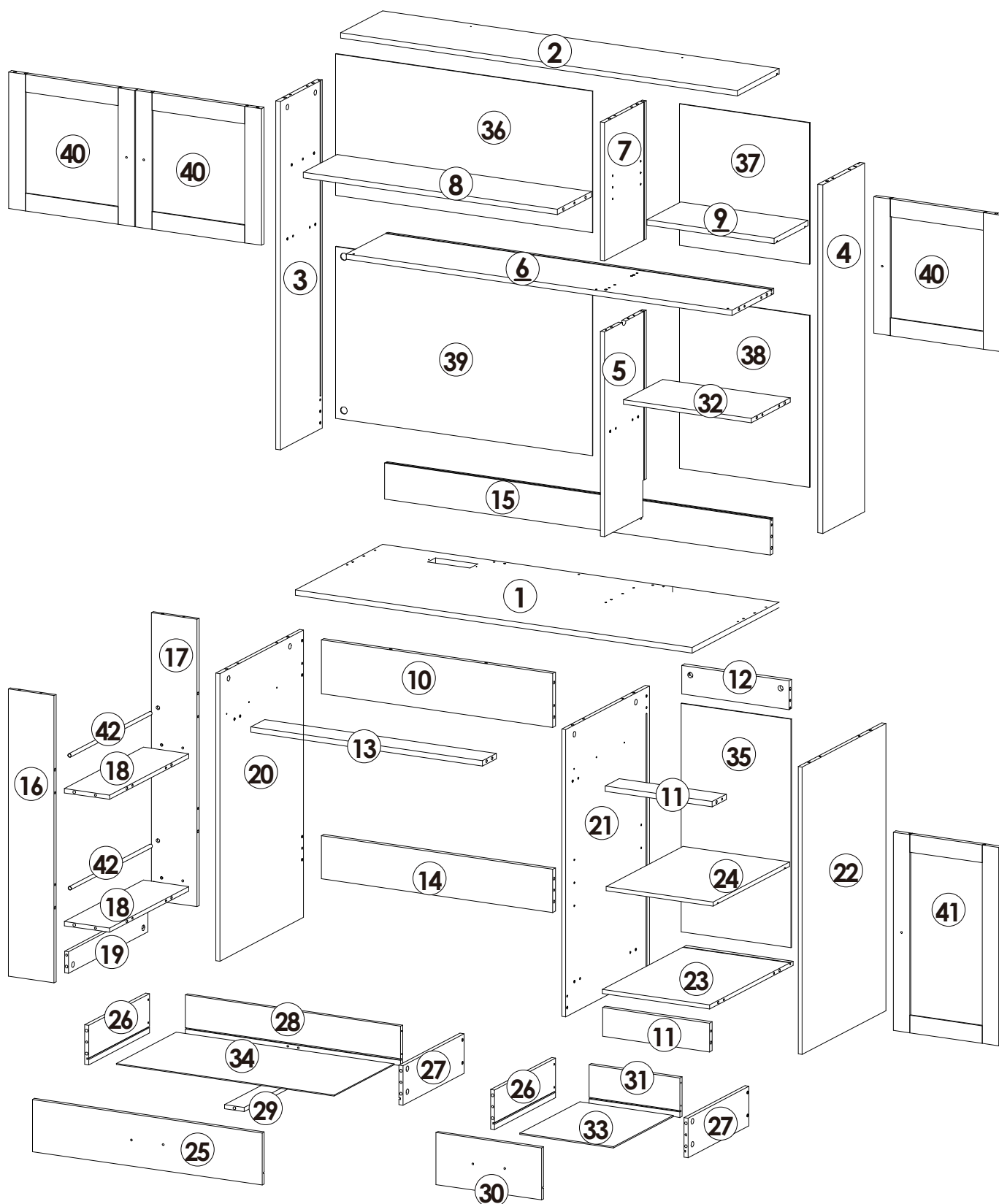
## **EN | ES**

Contact us first if you have any problem, we would do better than Amazon official service. Replacement for missing, damaged parts, we will ship its ASAP!

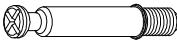
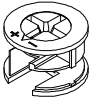



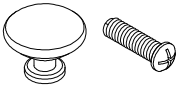
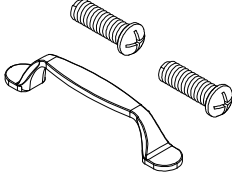
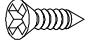


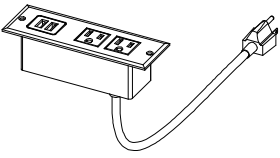
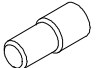

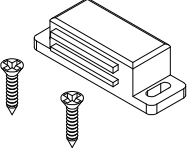
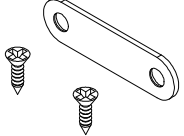
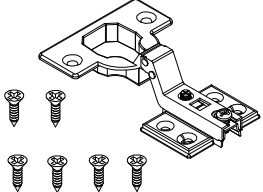
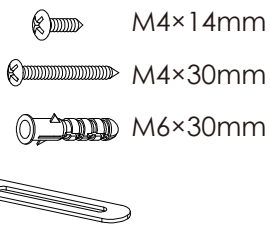
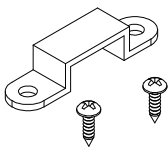
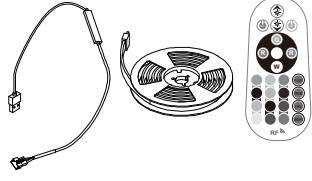
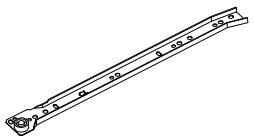
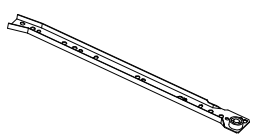
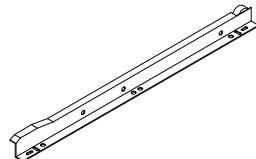
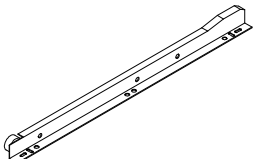
## **EN | ES**

Si tiene algún problema con su producto o pedido, póngase en contacto con nosotros antes de consultar con el servicio de atención al cliente de Amazon, le resolveremos su problema con mayor brevedad. ¡Reemplazamos piezas perdidas o dañadas enviándolas rápidamente

# Parts List(EN) / Teile Liste(DE)

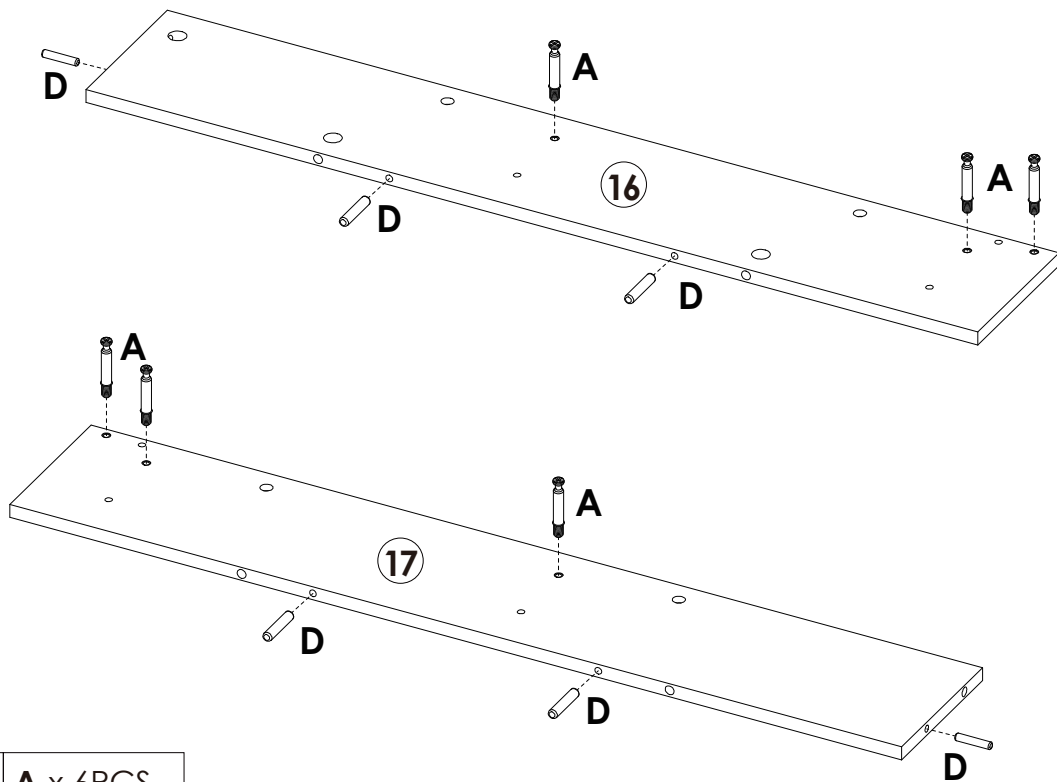


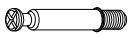
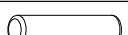
## Parts List(EN) / Teile Liste(DE)

<b>A</b>  M6×32mm 79+2PCS	<b>B</b>  Ø15×9.5mm 79+2PCS	<b>C</b>  Ø20mm 6+1PCS	<b>D</b>  Ø6×30mm 70+2PCS
<b>E</b>  M5×40mm 12+1PCS	<b>F</b>  M4×19mm 4SETS	<b>G</b>  M4×16mm 2SETS	<b>H</b>  M3.5×12mm 26+2PCS
<b>I</b>  M3.5×35mm 10+1PCS	<b>J</b>  M3×16mm 38+2SETS	<b>K</b>  1PC	<b>L</b>  8+1PCS
<b>M</b>  6+1PCS	<b>N</b>  M3×16mm 3SETS	<b>O</b>  M3×12mm 3SETS	<b>P</b>  2SETS
<b>Q</b>  M4×14mm M4×30mm M6×30mm 2SETS	<b>R</b>  4+2SETS	<b>S</b>  1SET	
<b>CL</b>  L350mm 2PCS	<b>CR</b>  L350mm 2PCS	<b>DL</b>  L350mm 2PCS	<b>DR</b>  L350mm 2PCS

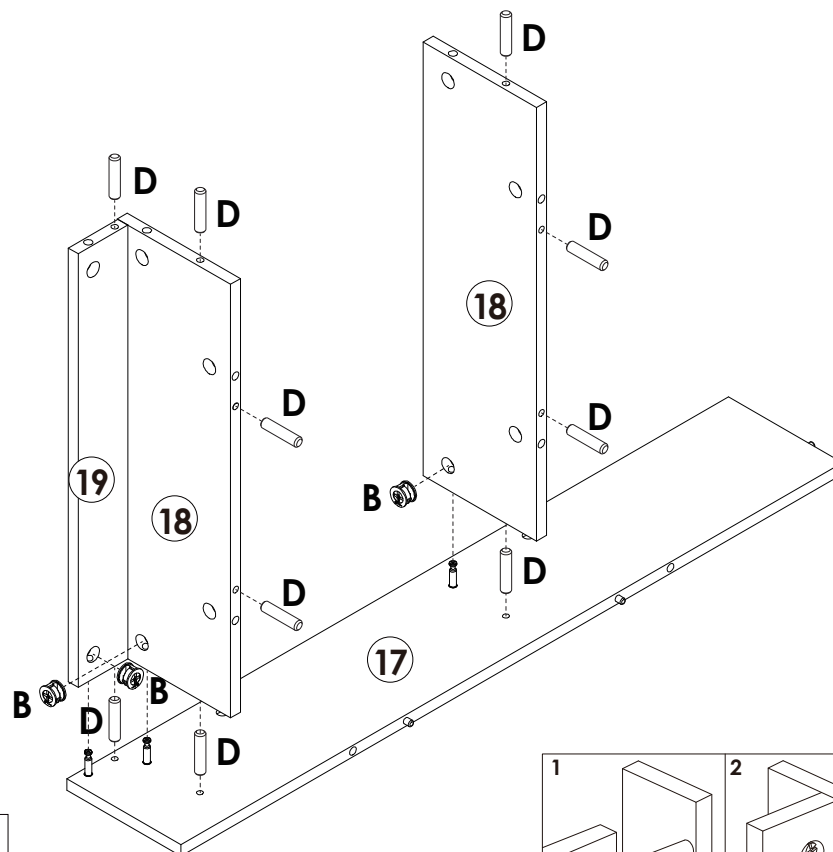
# Assembly Steps(EN) / Montageschritte(DE)



## STEP 1

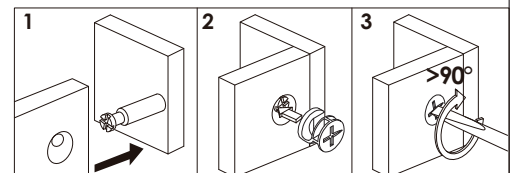


	A x 6PCS
	D x 6PCS

## STEP 2

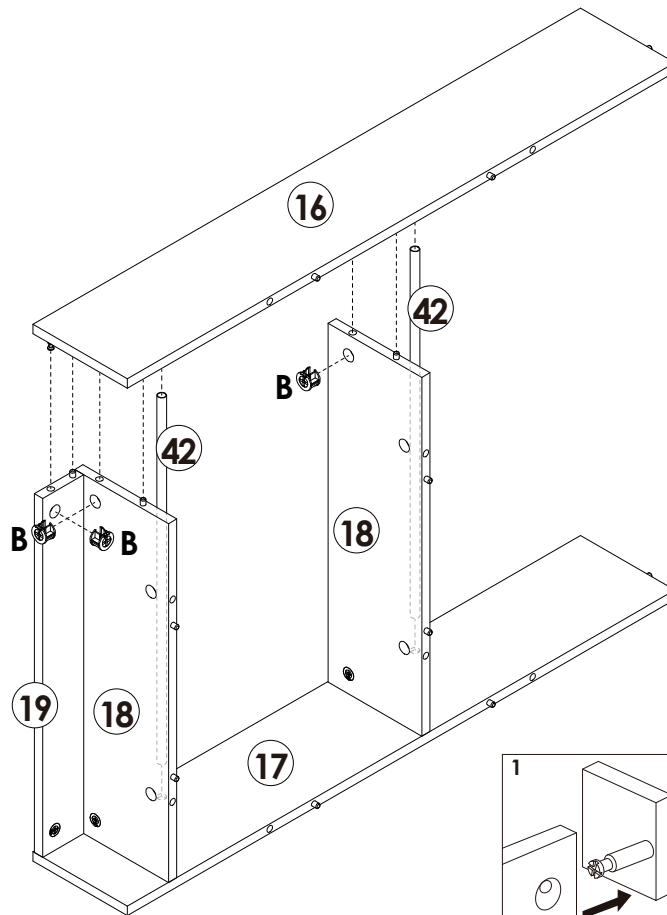


	B x 3PCS
	D x 10PCS

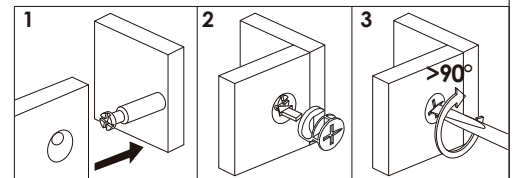


# Assembly Steps(EN) / Montageschritte(DE)

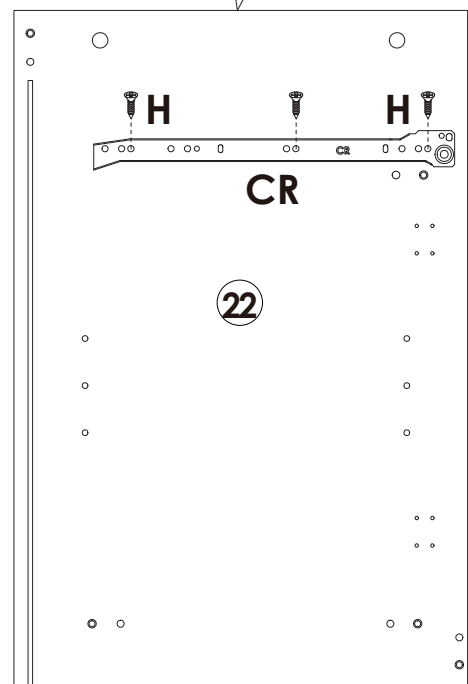
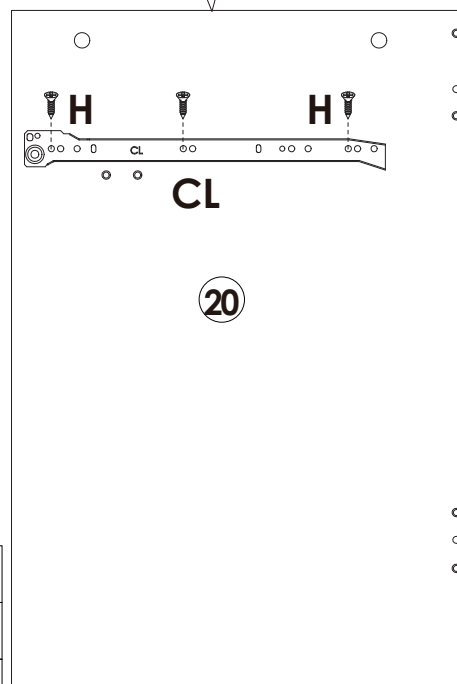
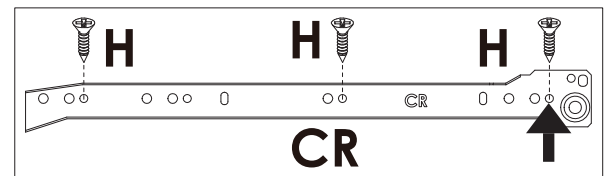
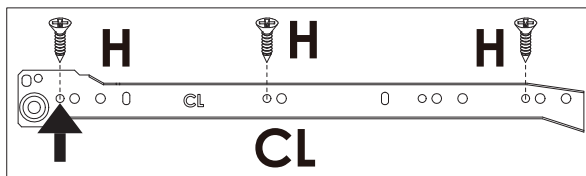
## STEP 3






B x 3PCS



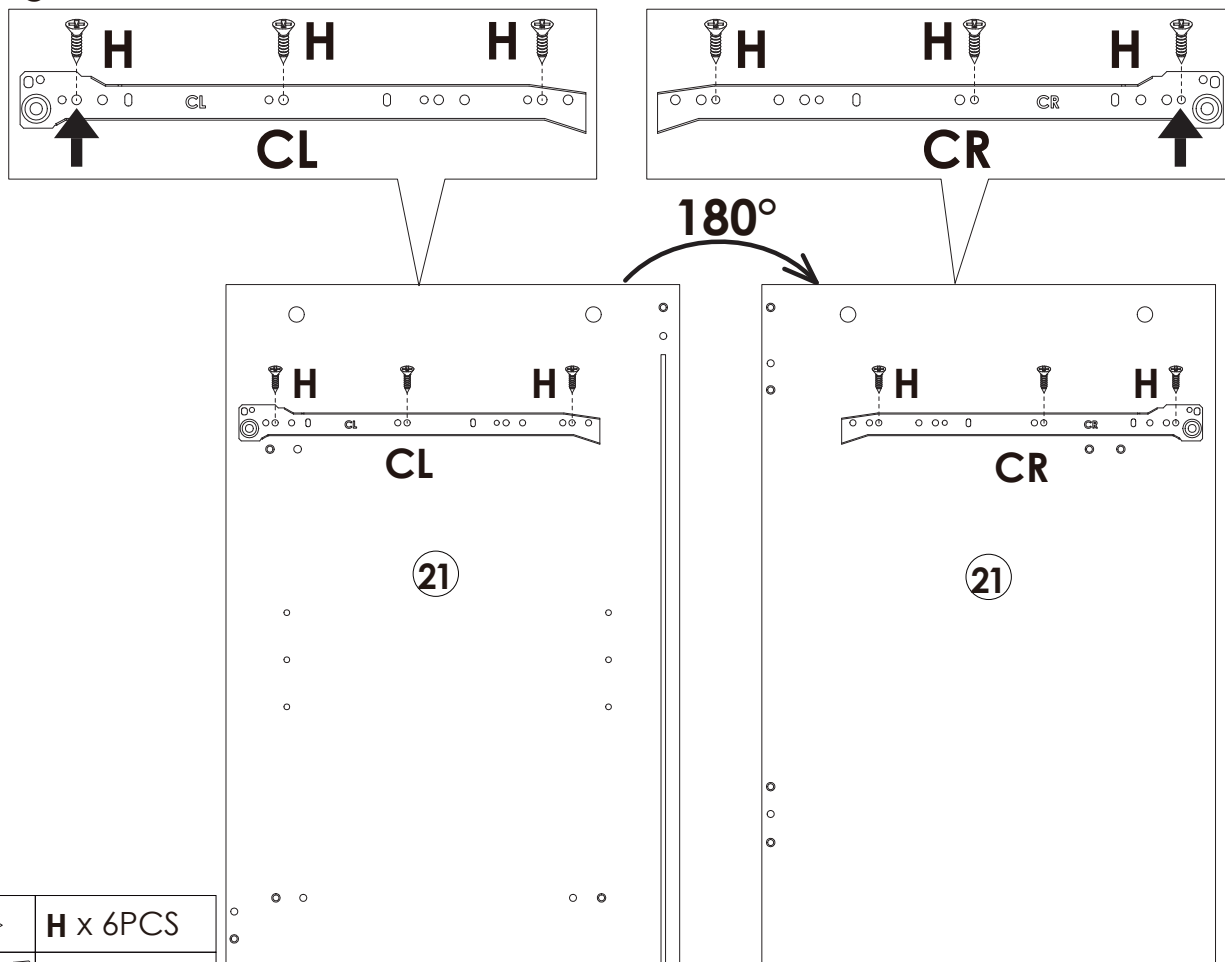
## STEP 4



	H x 6PCS
	CL x 1PC
	CR x 1PC

# Assembly Steps(EN) / Montageschritte(DE)

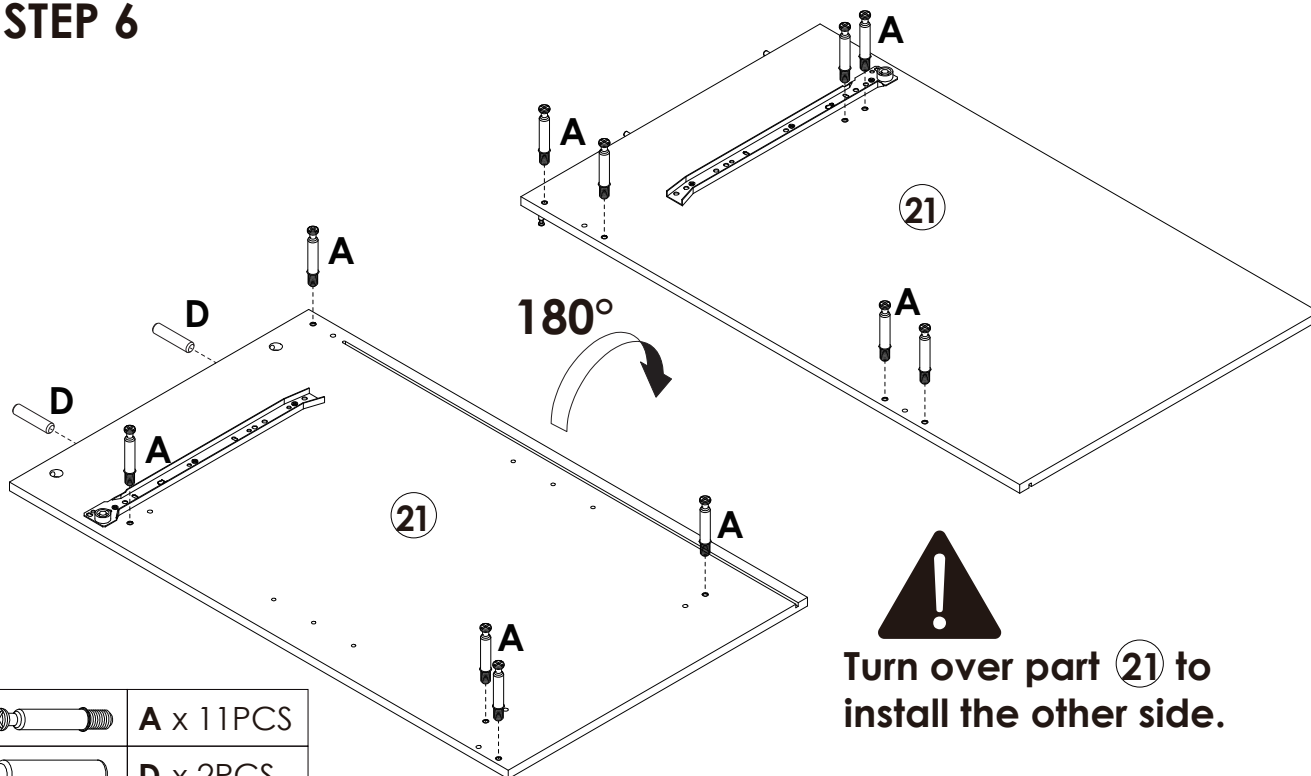
## STEP 5



	H x 6PCS
	CL x 1PC
	CR x 1PC

**!** Turn over part 21 to install the other side.

## STEP 6

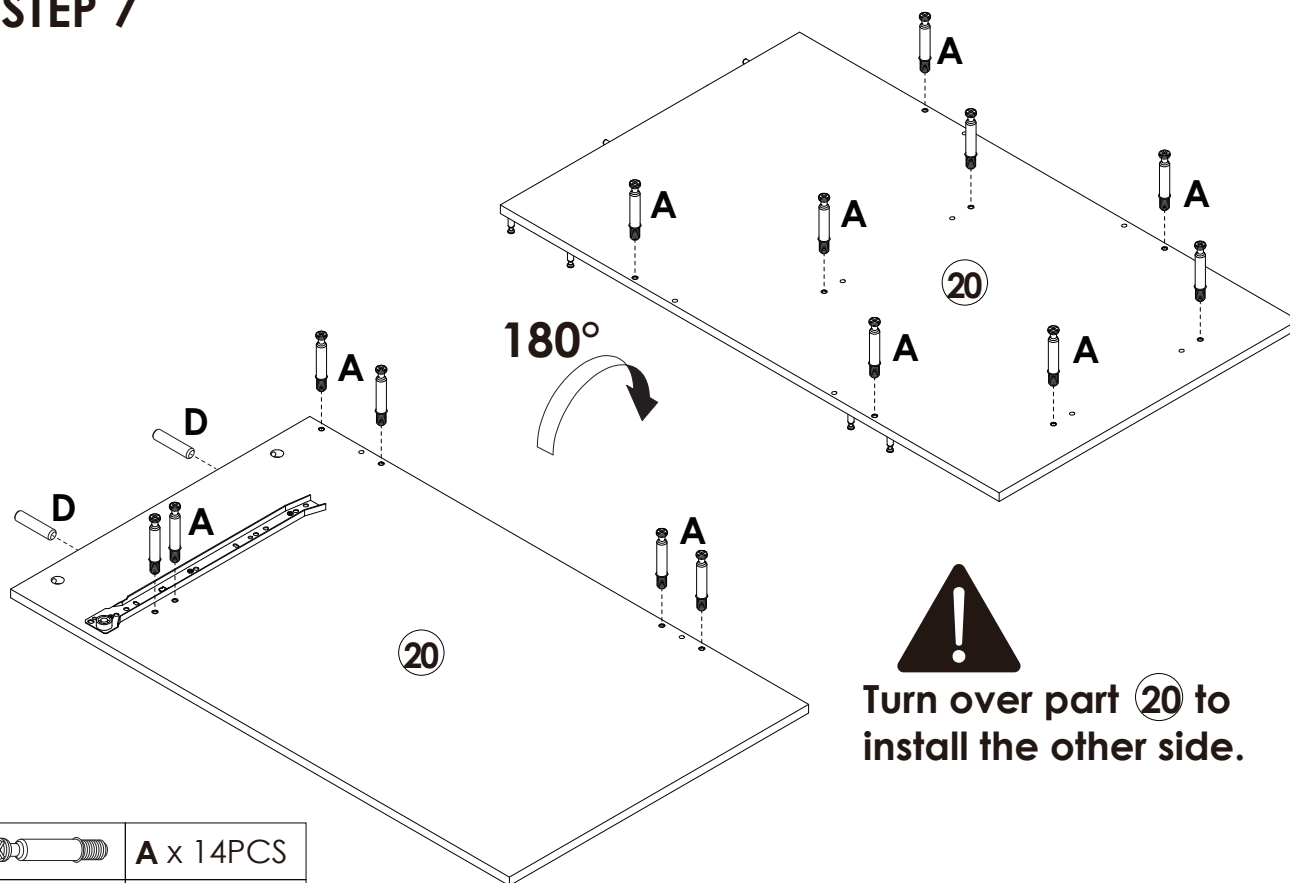


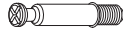

	A x 11PCS
	D x 2PCS

**!** Turn over part 21 to install the other side.

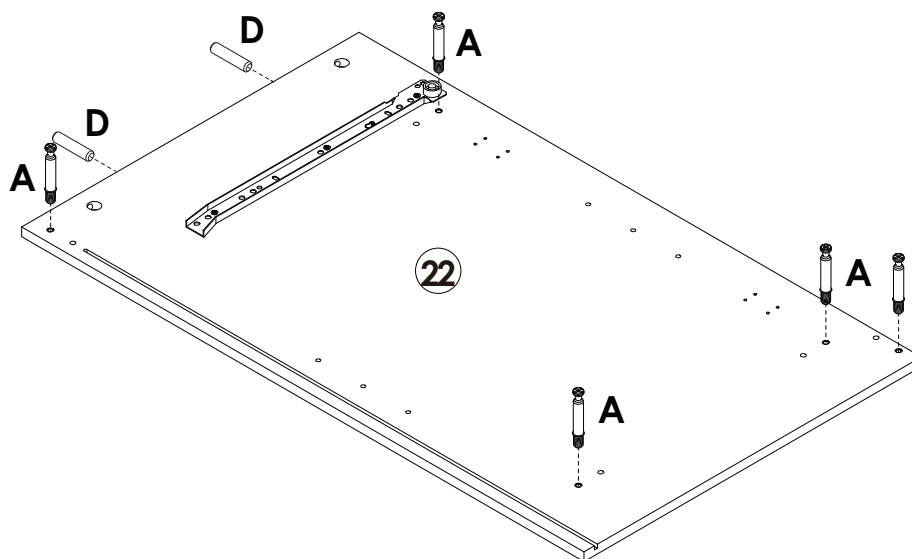
# Assembly Steps(EN) / Montageschritte(DE)

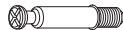
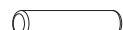
## STEP 7



	A x 14PCS
	D x 2PCS

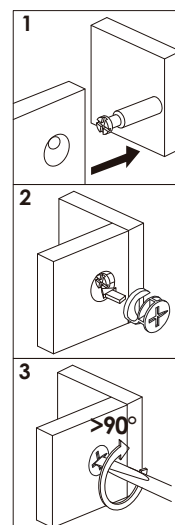
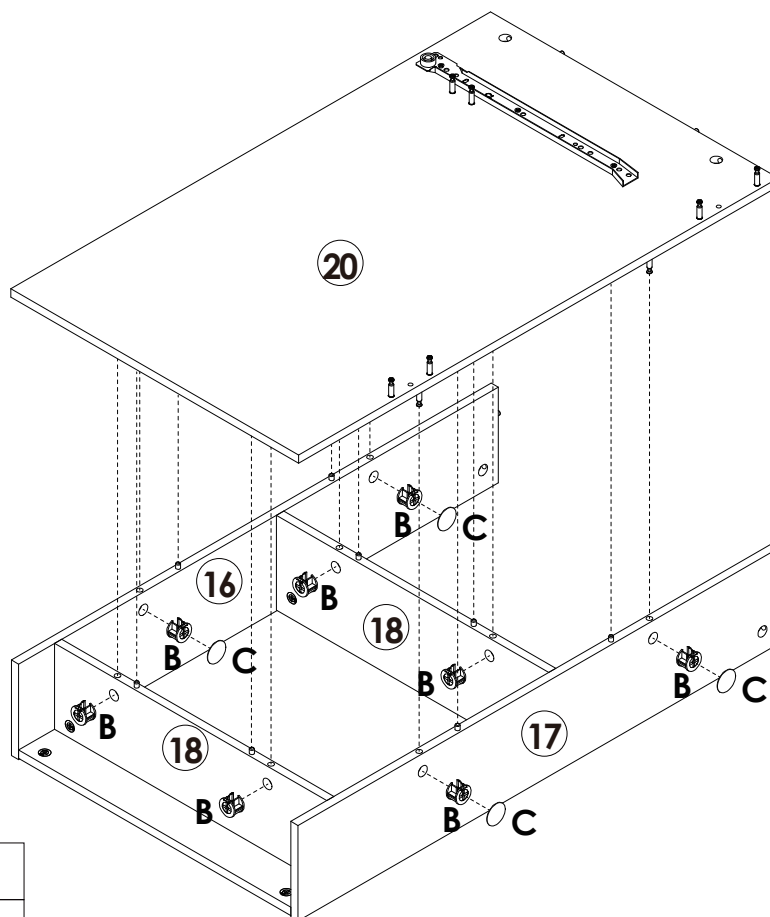
## STEP 8





	A x 5PCS
	D x 2PCS

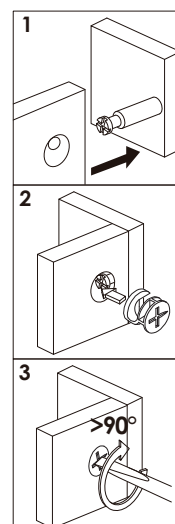
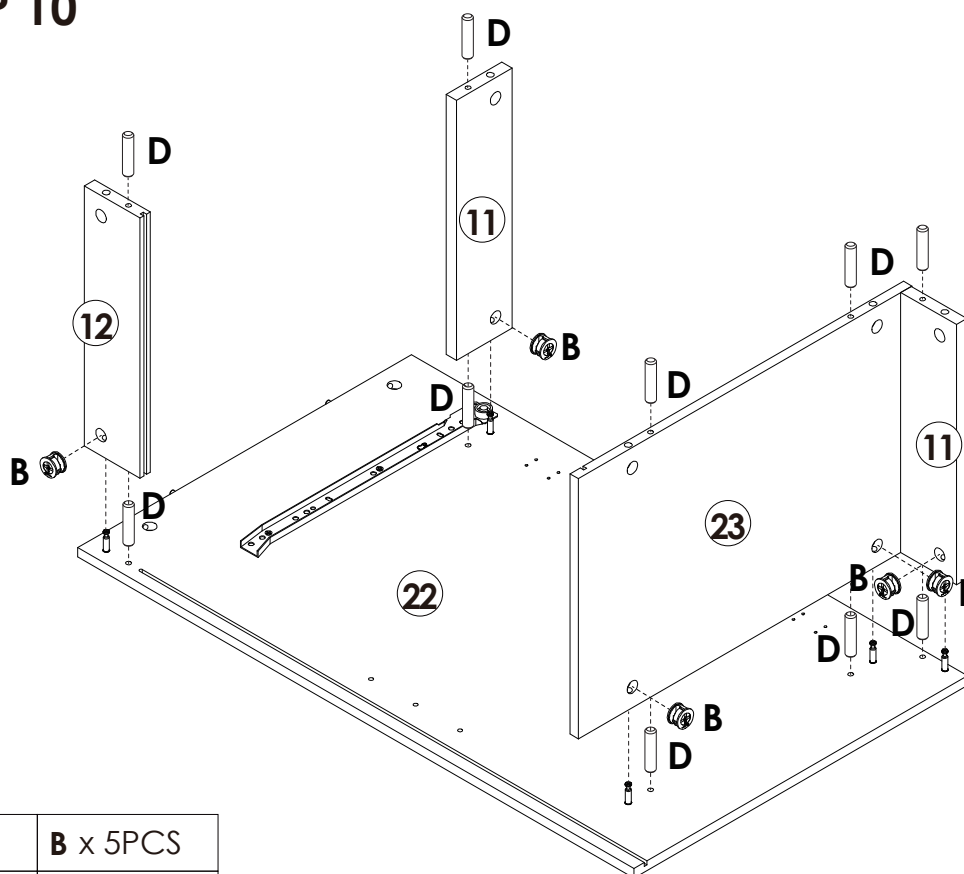
# Assembly Steps(EN) / Montageschritte(DE)


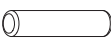
## STEP 9



	<b>B</b> x 8PCS
	<b>C</b> x 4PCS

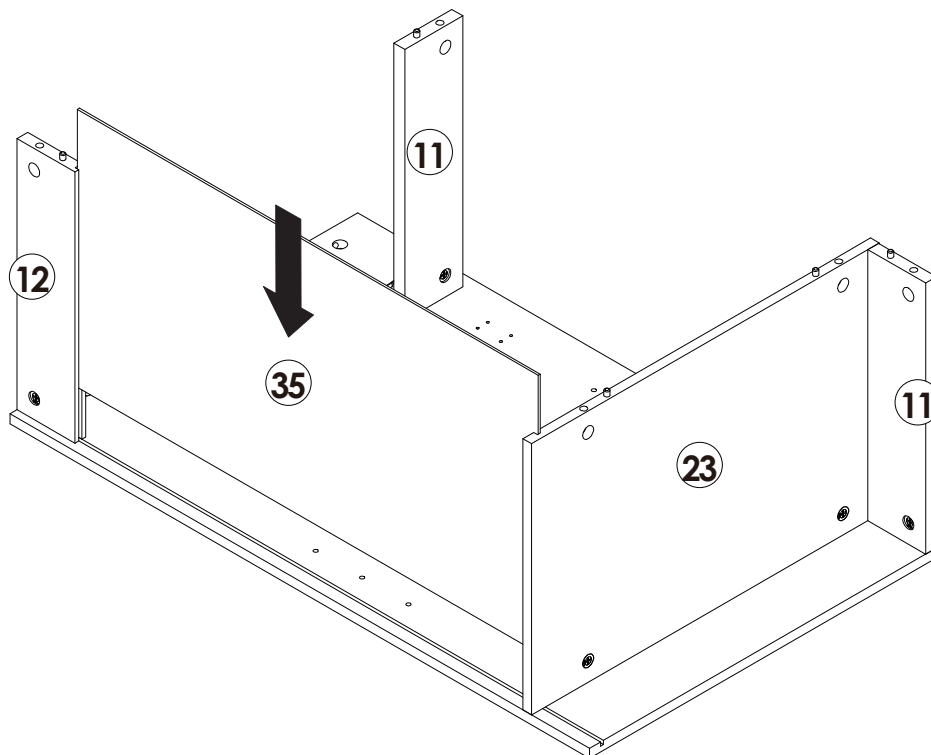
## STEP 10



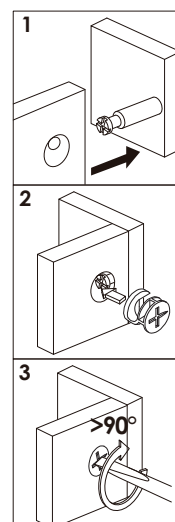
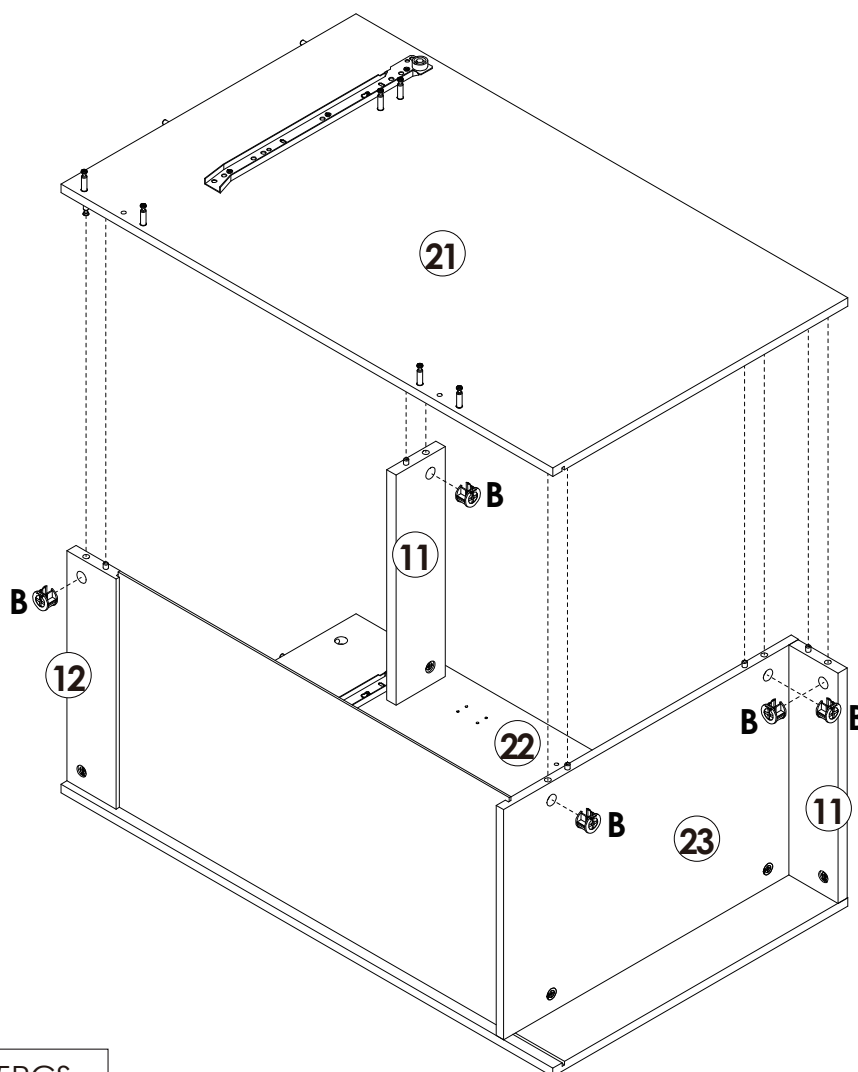
	<b>B</b> x 5PCS
	<b>D</b> x 10PCS

# Assembly Steps(EN) / Montageschritte(DE)

## STEP 11



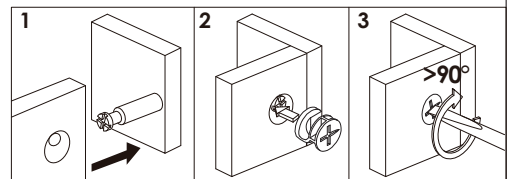
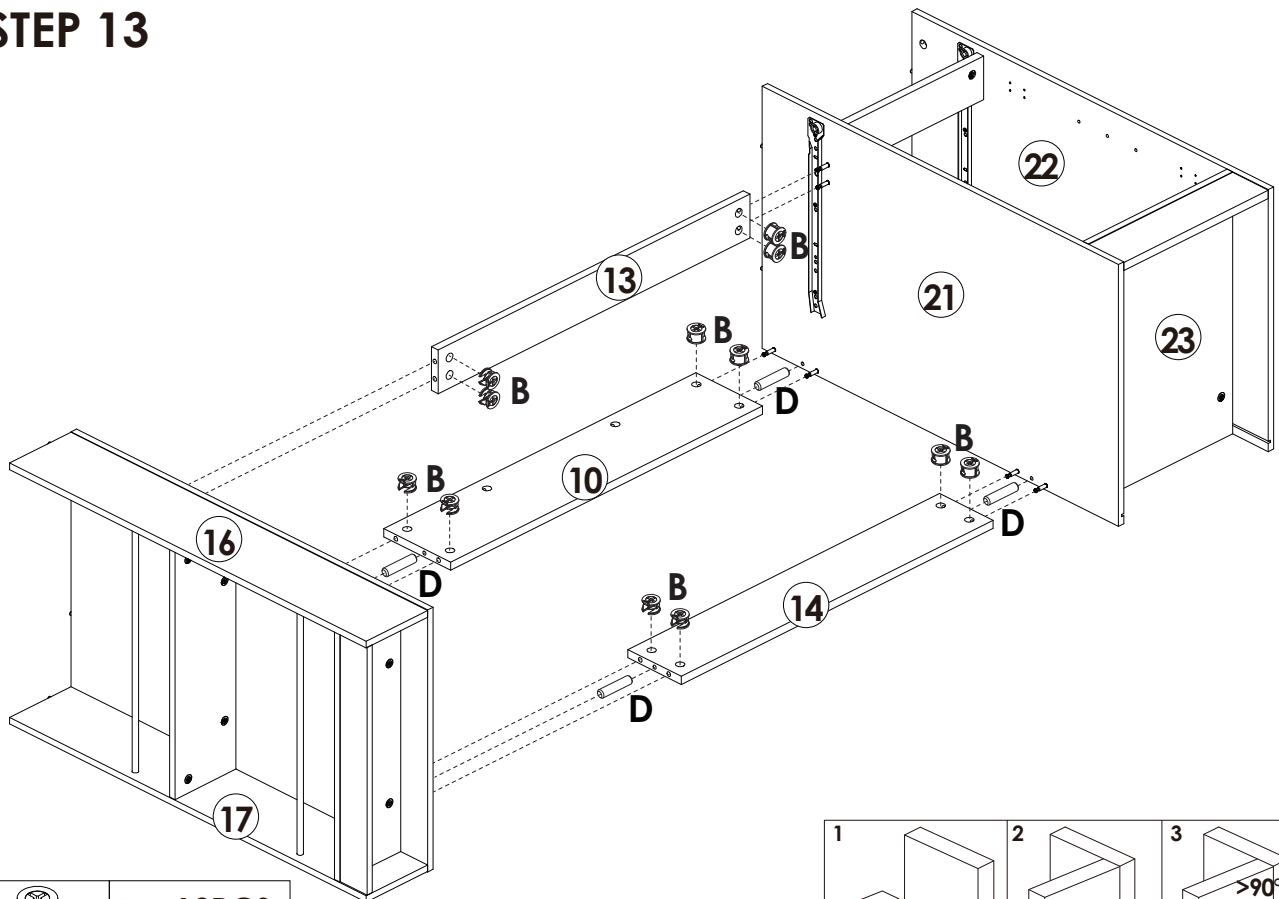
## STEP 12


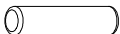


**B** x 5PCS

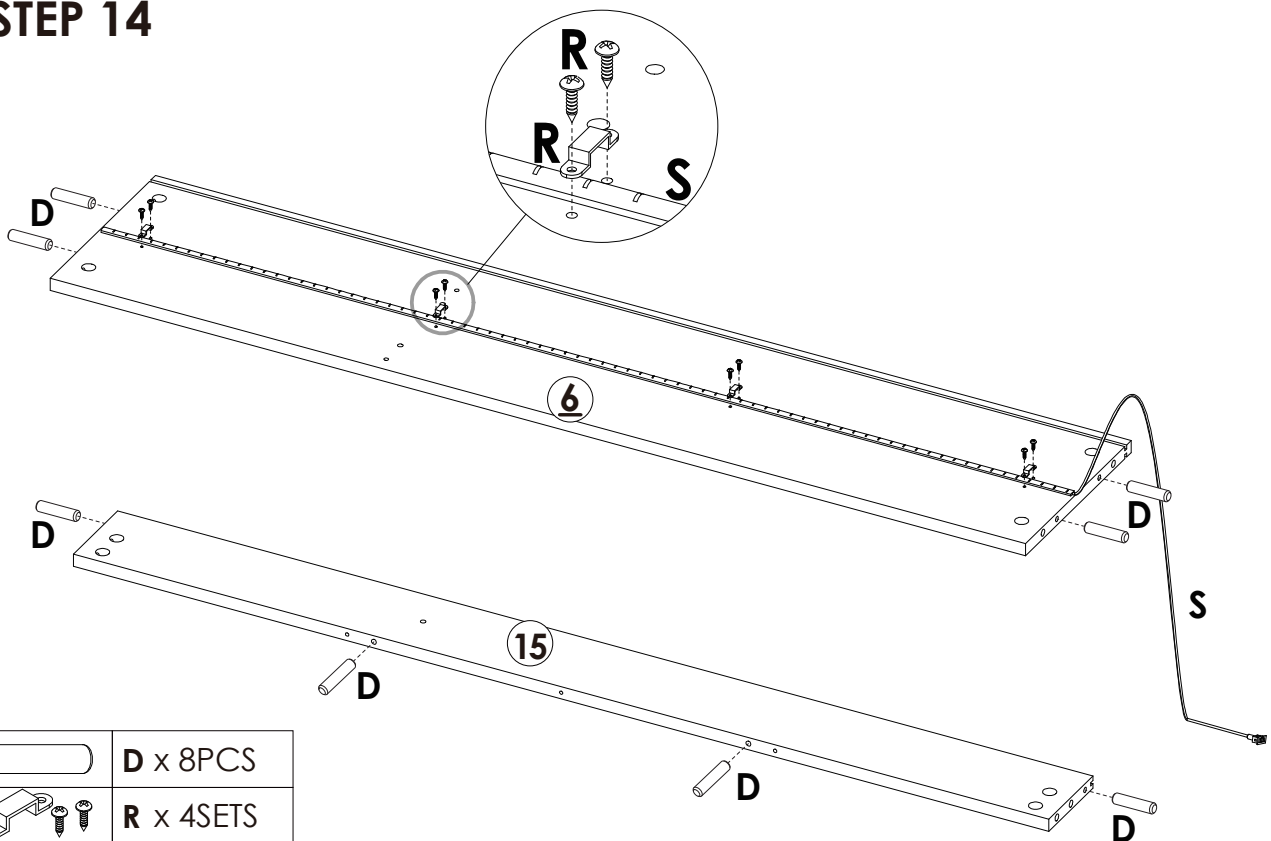
# Assembly Steps(EN) / Montageschritte(DE)




## STEP 13



	<b>B x 12PCS</b>
	<b>D x 4PCS</b>

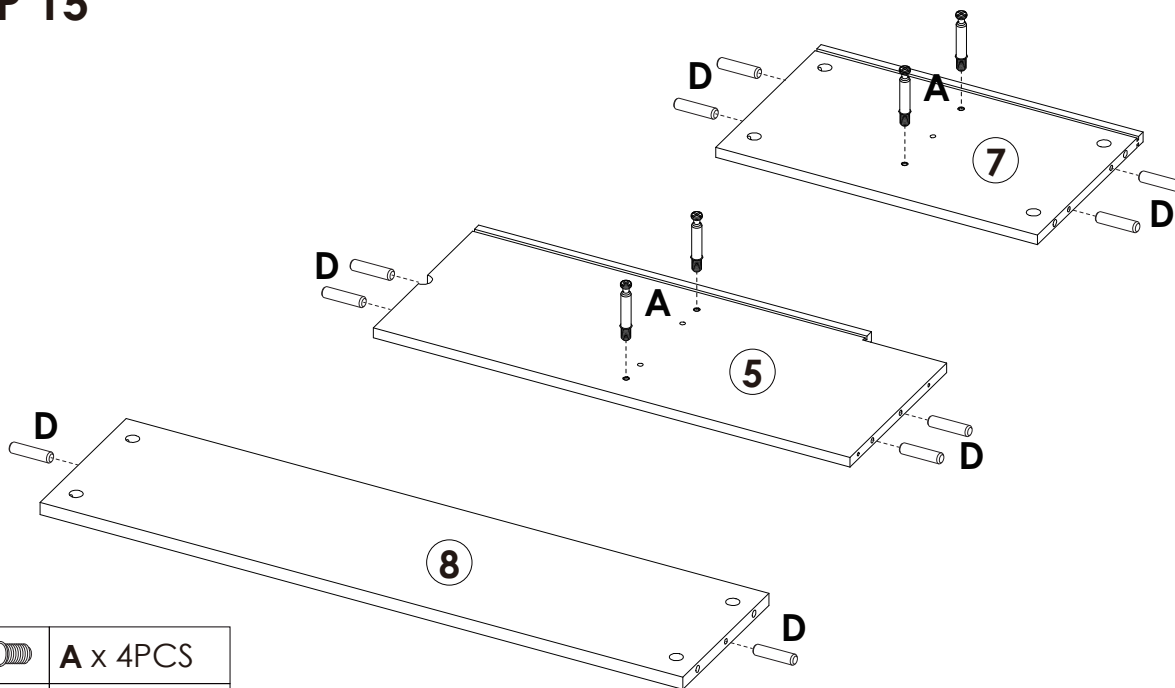
## STEP 14

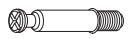



	<b>D x 8PCS</b>
	<b>R x 4SETS</b>
	<b>S x 1PC</b>

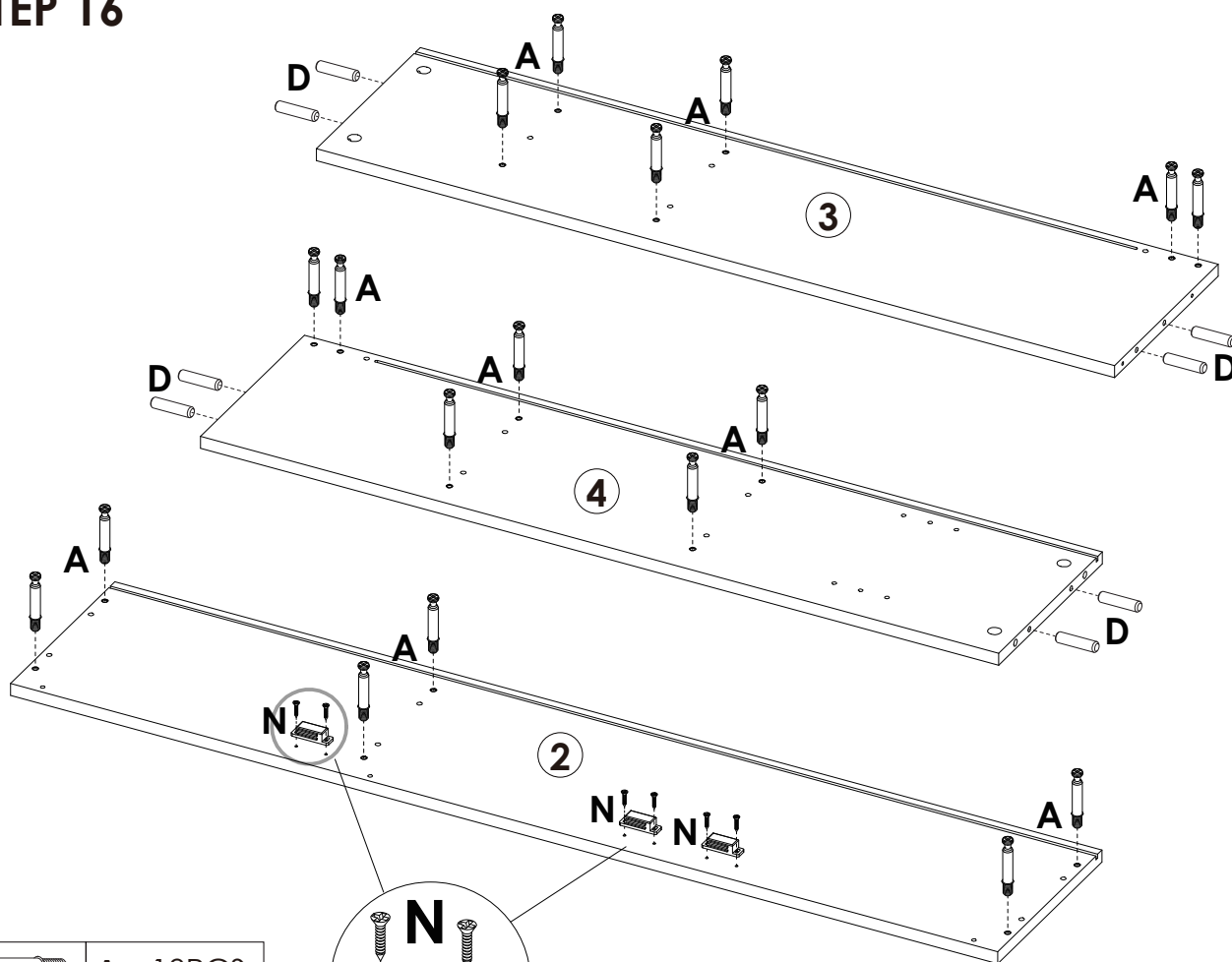
# Assembly Steps(EN) / Montageschritte(DE)


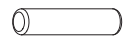

## STEP 15



	A x 4PCS
	D x 10PCS

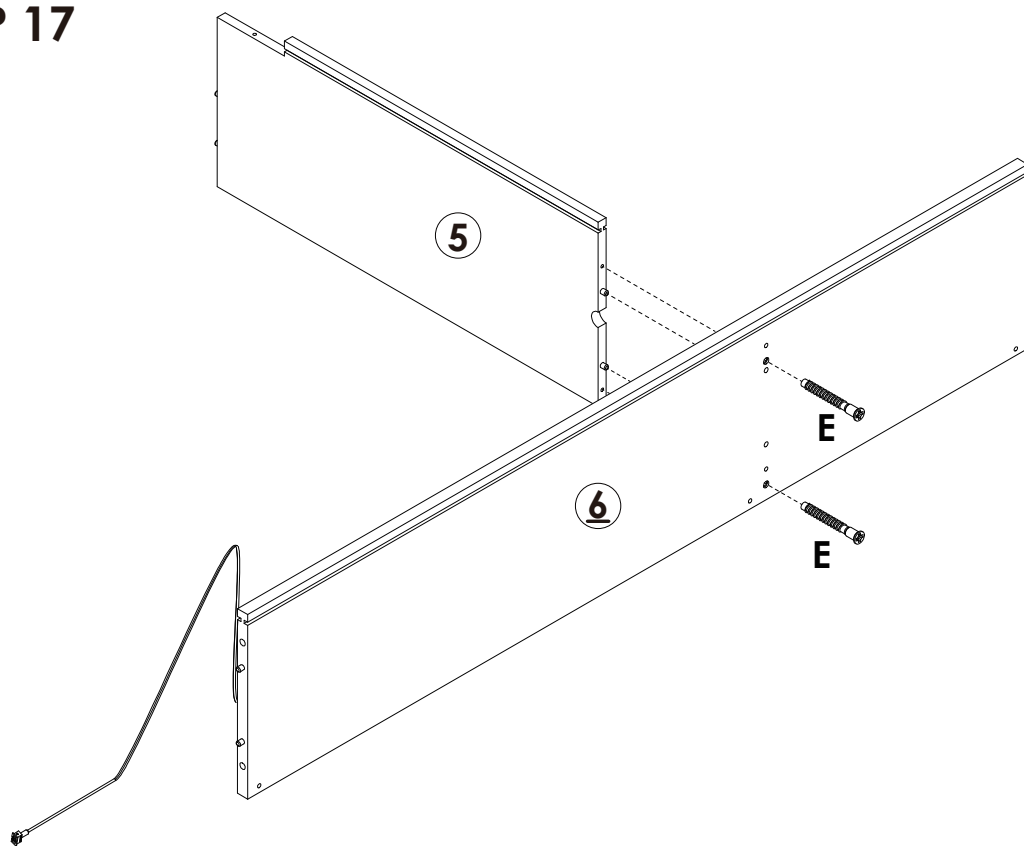
## STEP 16



	A x 18PCS
	D x 8PCS
	N x 3SETS

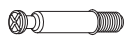
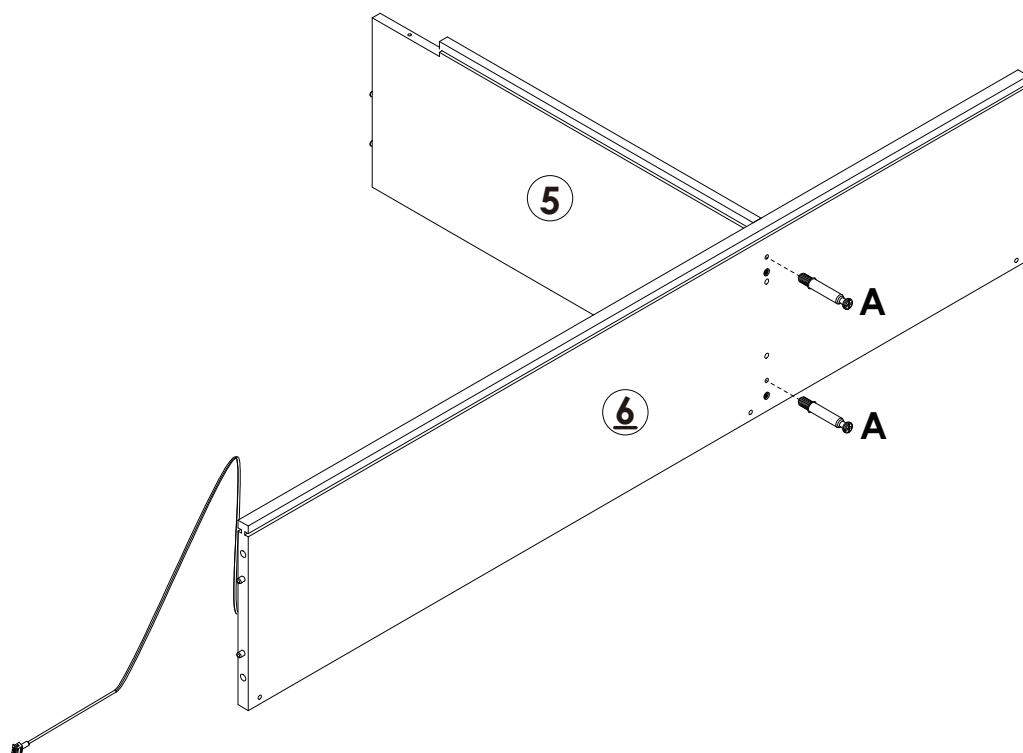
# Assembly Steps(EN) / Montageschritte(DE)

## STEP 17



E x 2PCS

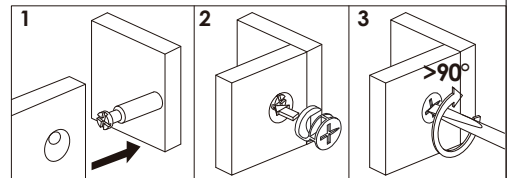
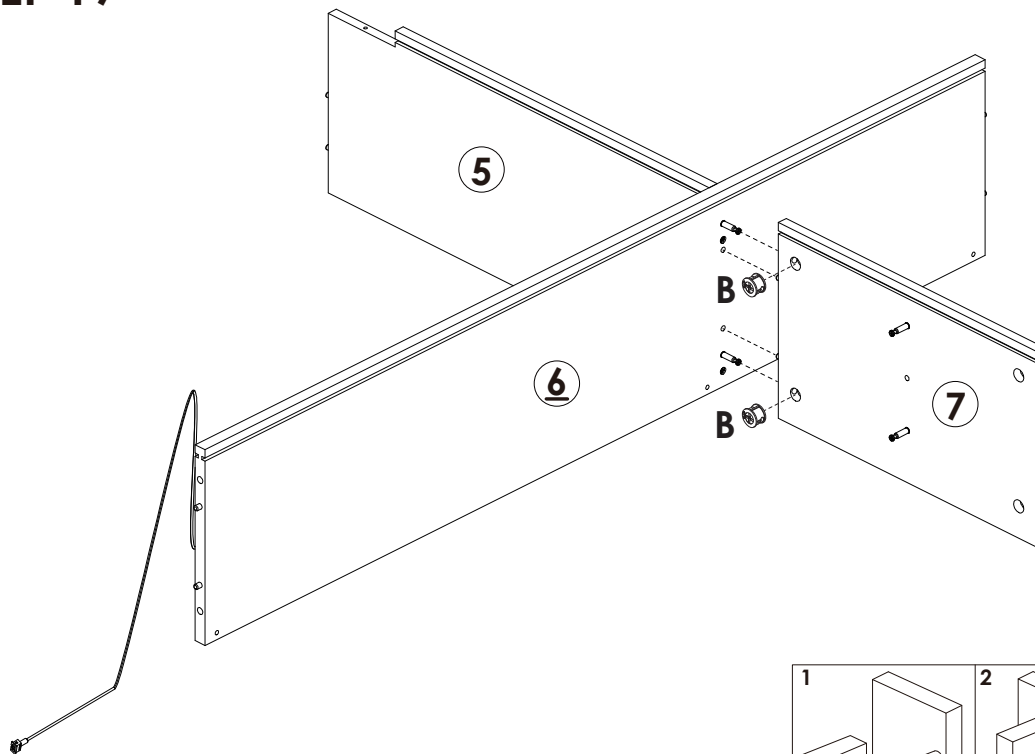
## STEP 18



A x 2PCS

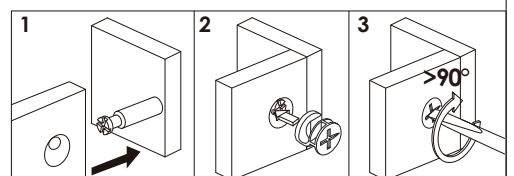
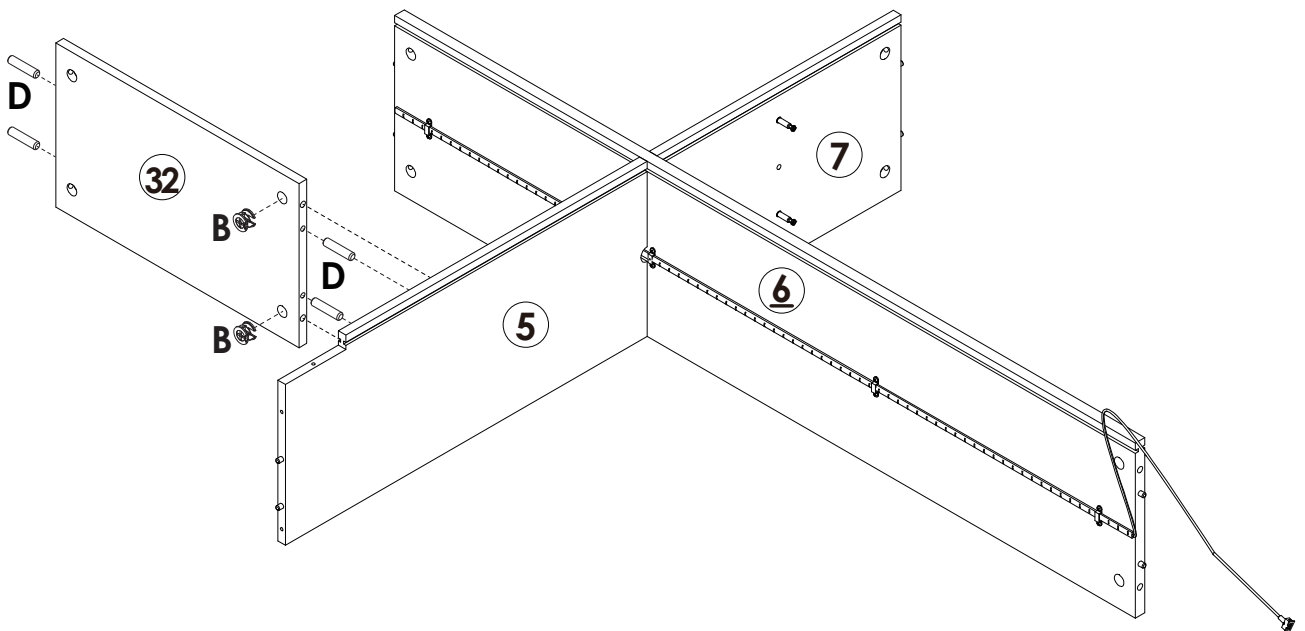
# Assembly Steps(EN) / Montageschritte(DE)

## STEP 19

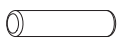


**B** x 2PCS

## STEP 20



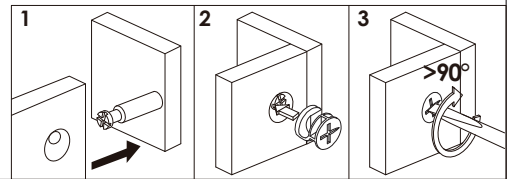
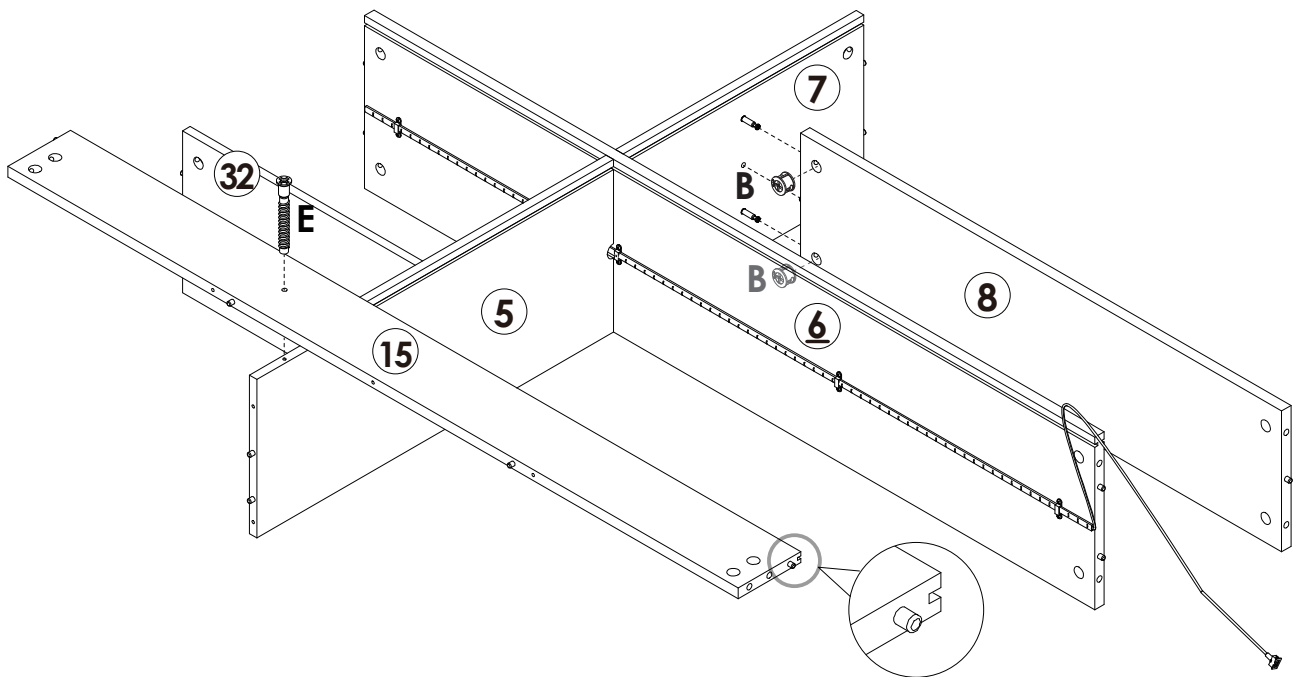
**B** x 2PCS





**D** x 4PCS

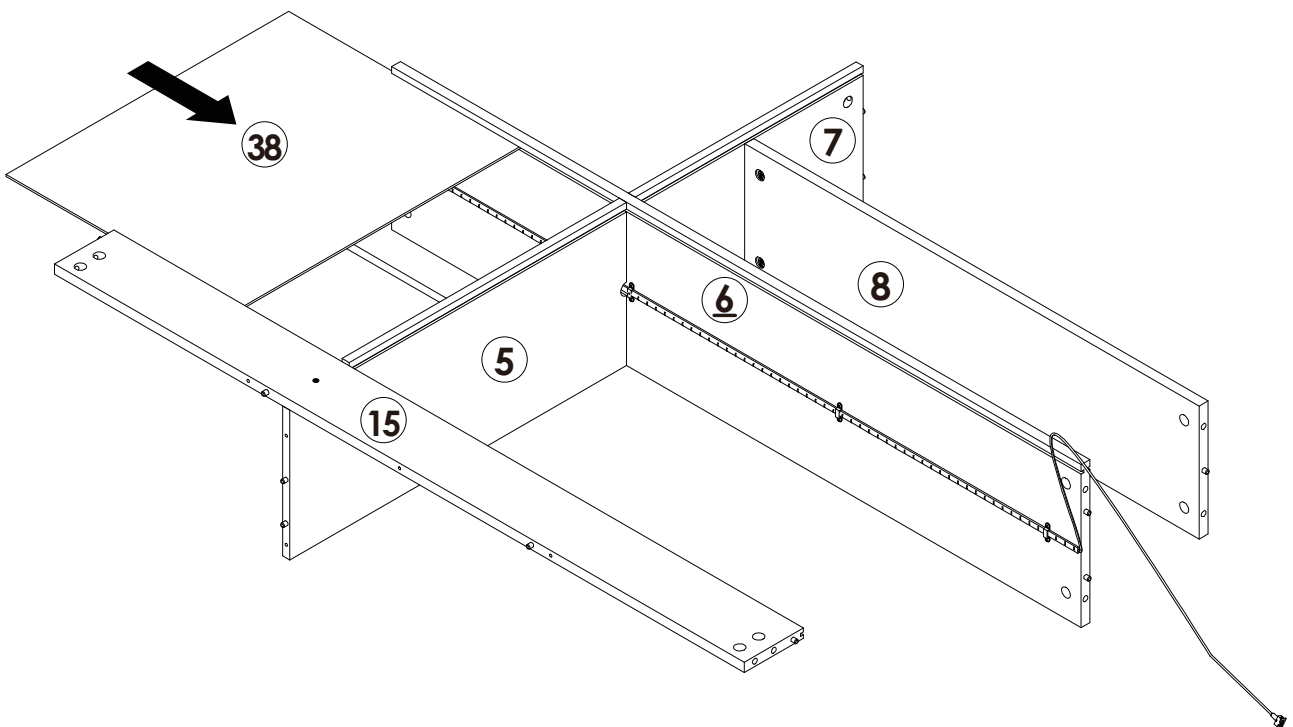
# Assembly Steps(EN) / Montageschritte(DE)

## STEP 21



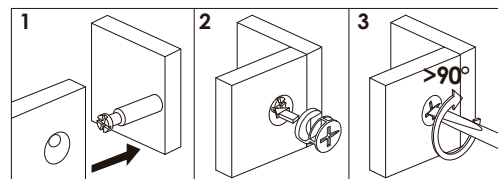
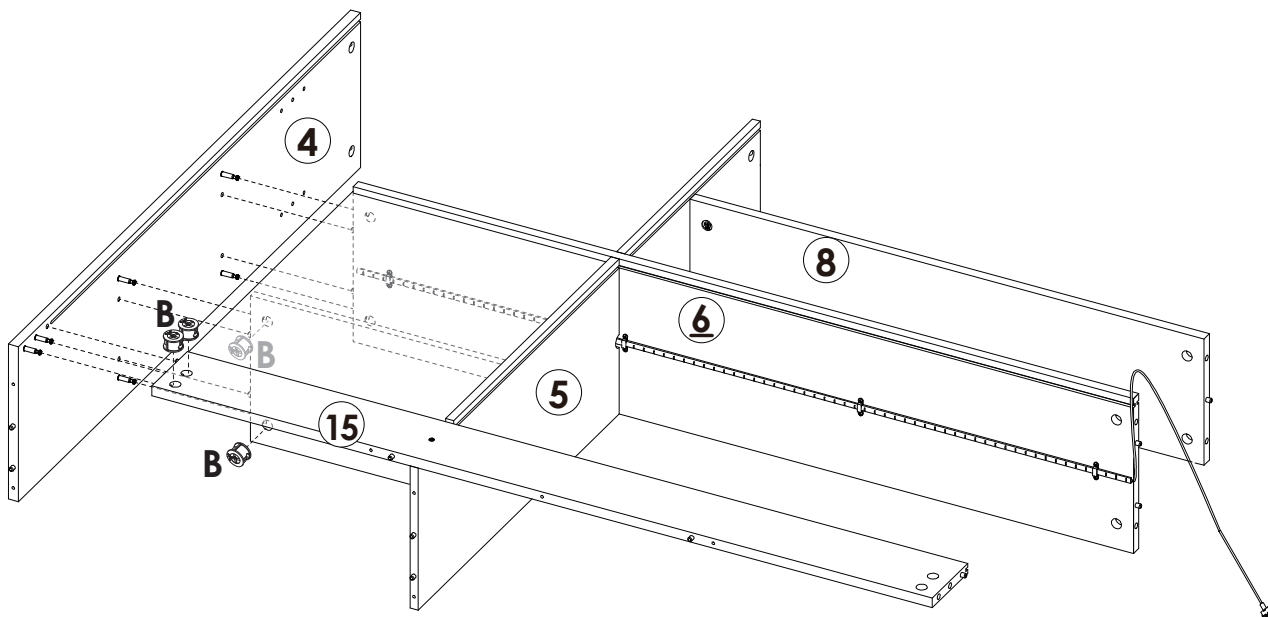
	<b>B x 2PCS</b>
	<b>E x 1PC</b>

## STEP 22



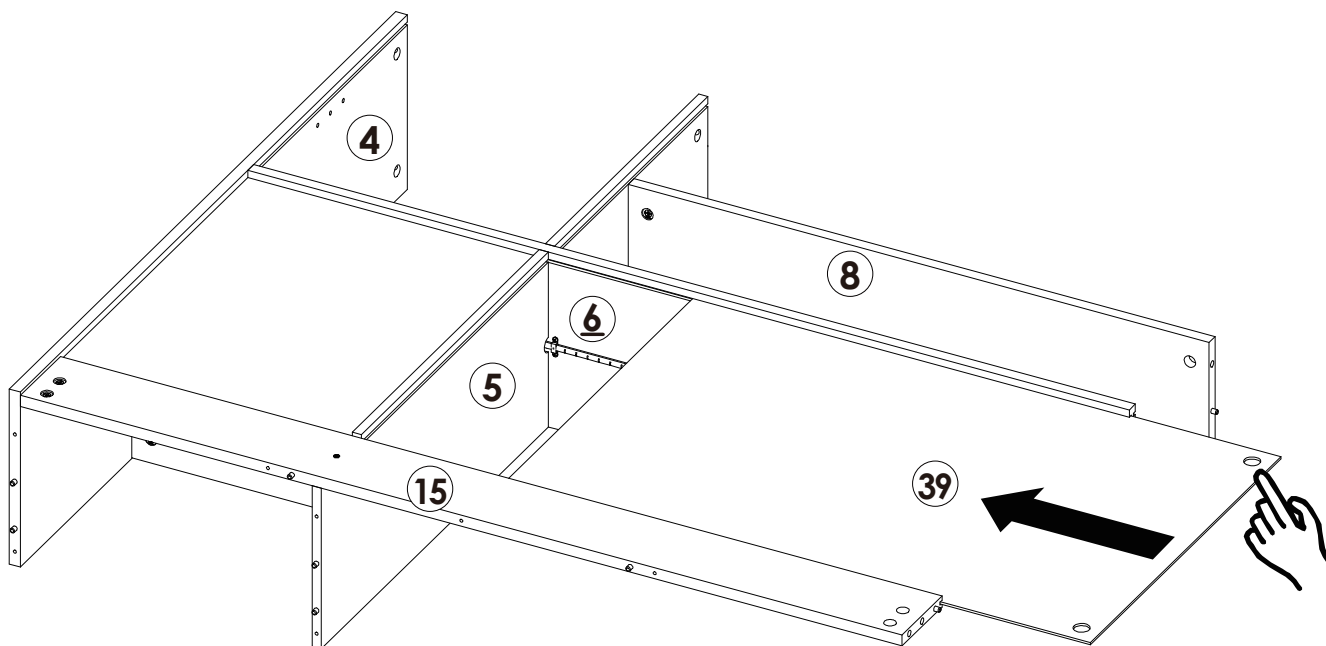
# Assembly Steps(EN) / Montageschritte(DE)

## STEP 23



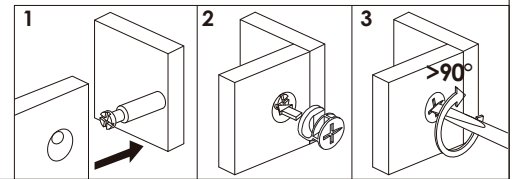
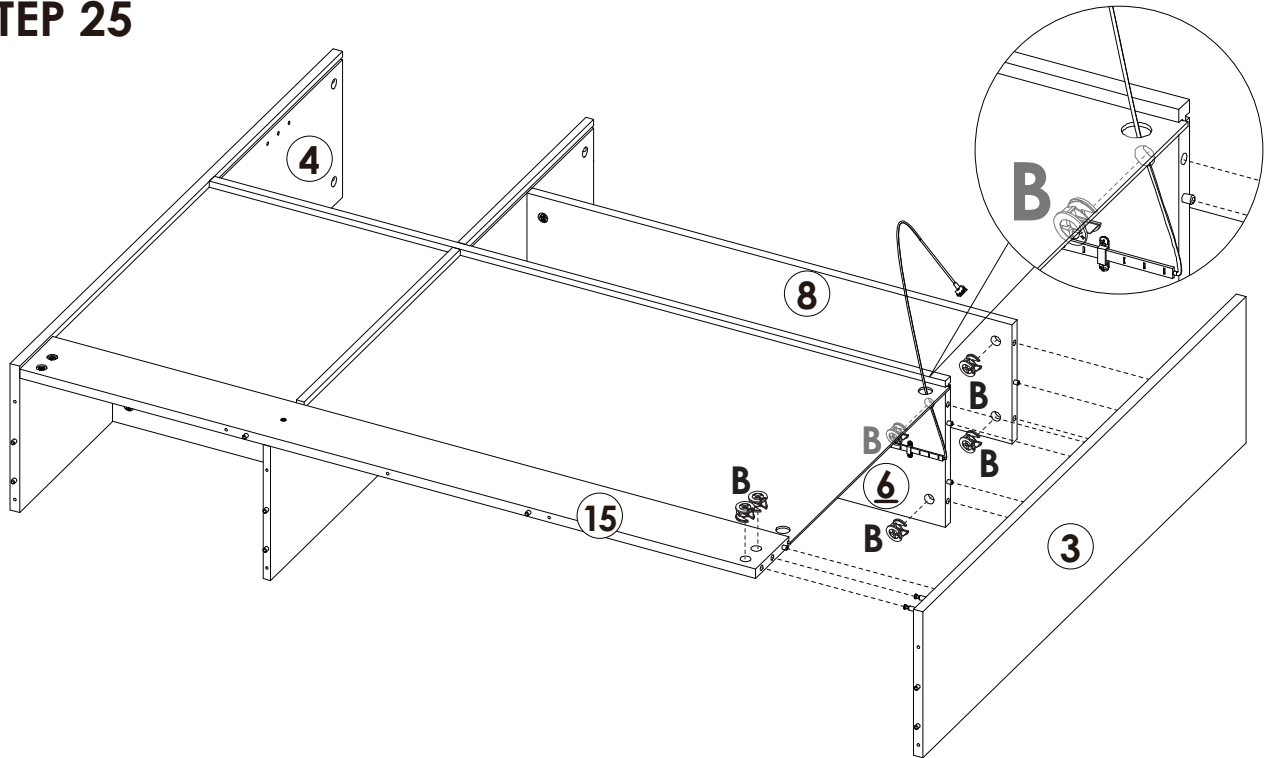
B x 4PCS

## STEP 24



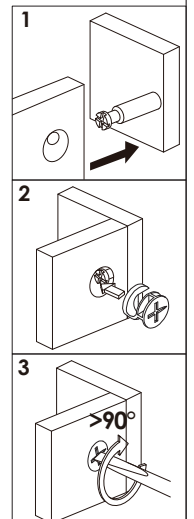
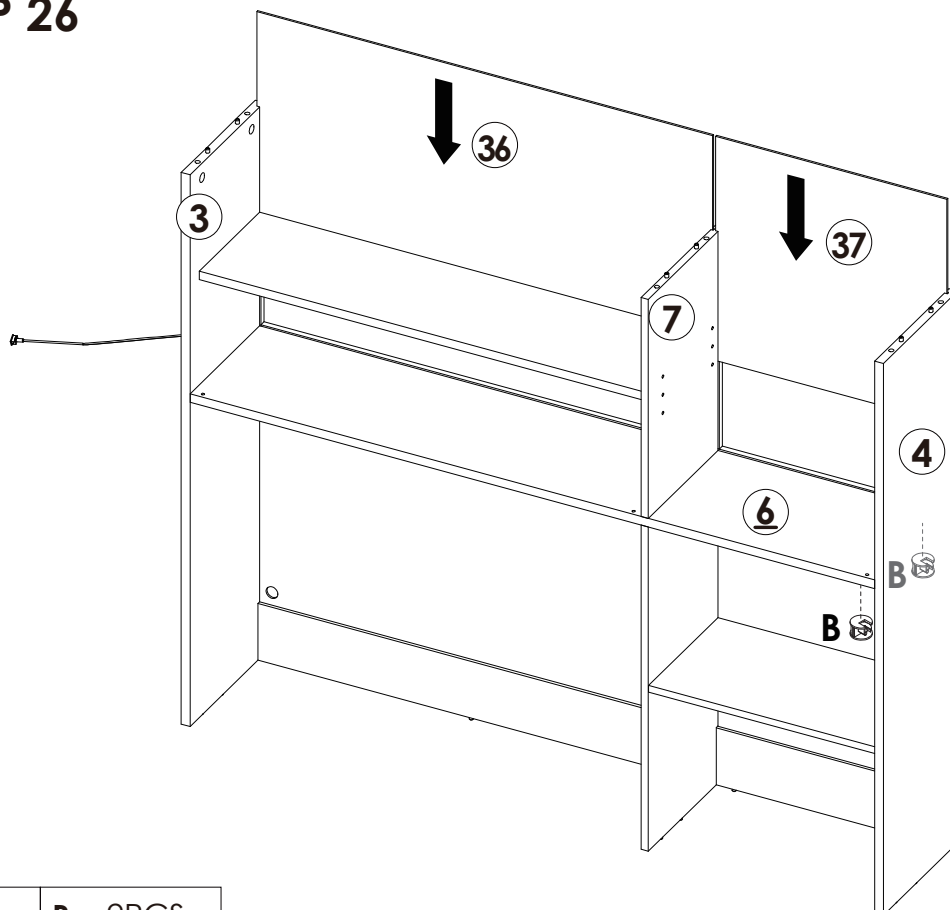
# Assembly Steps(EN) / Montageschritte(DE)

## STEP 25



**B** x 6PCS

## STEP 26

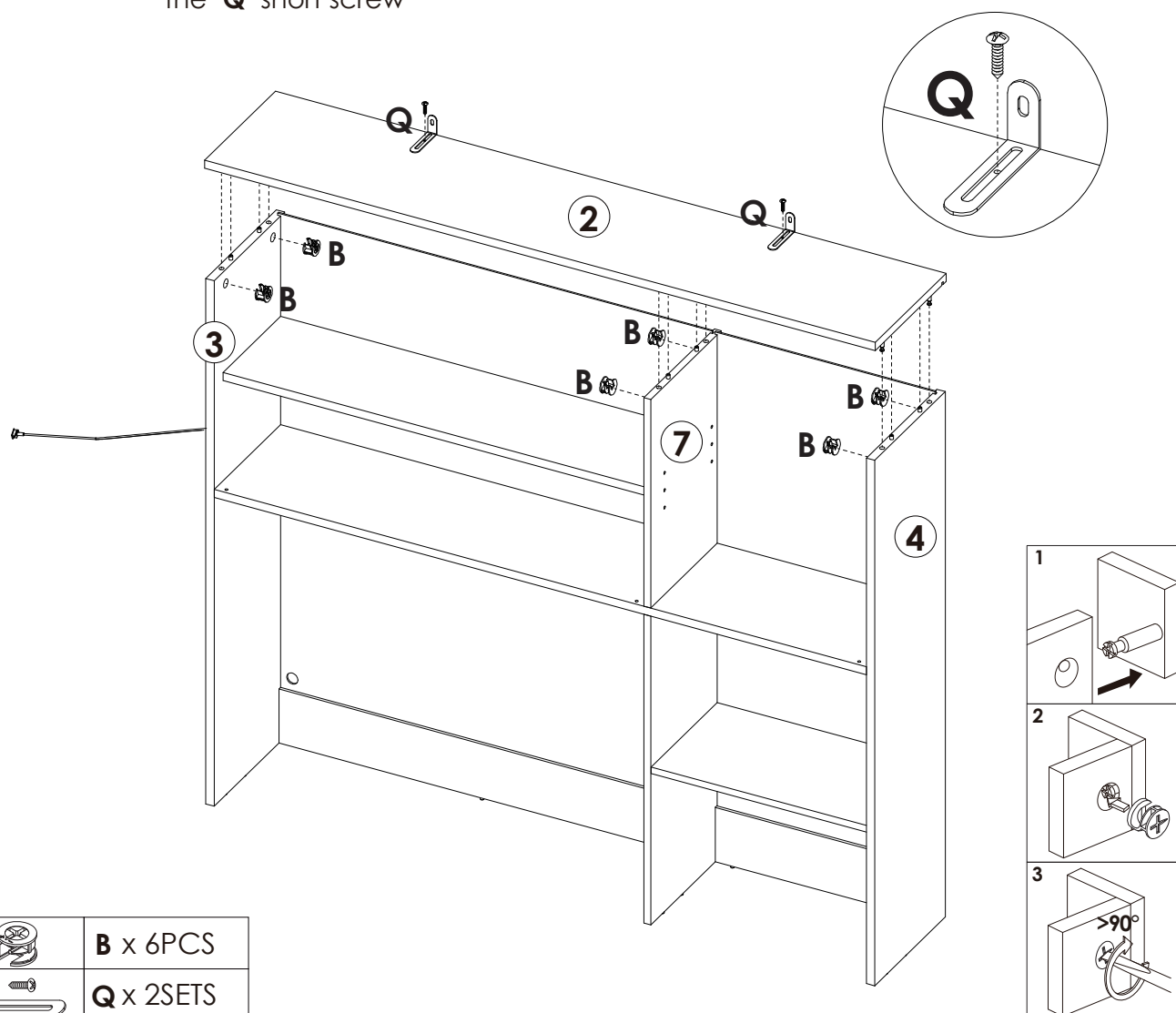




**B** x 2PCS

## Assembly Steps(EN) / Montageschritte(DE)

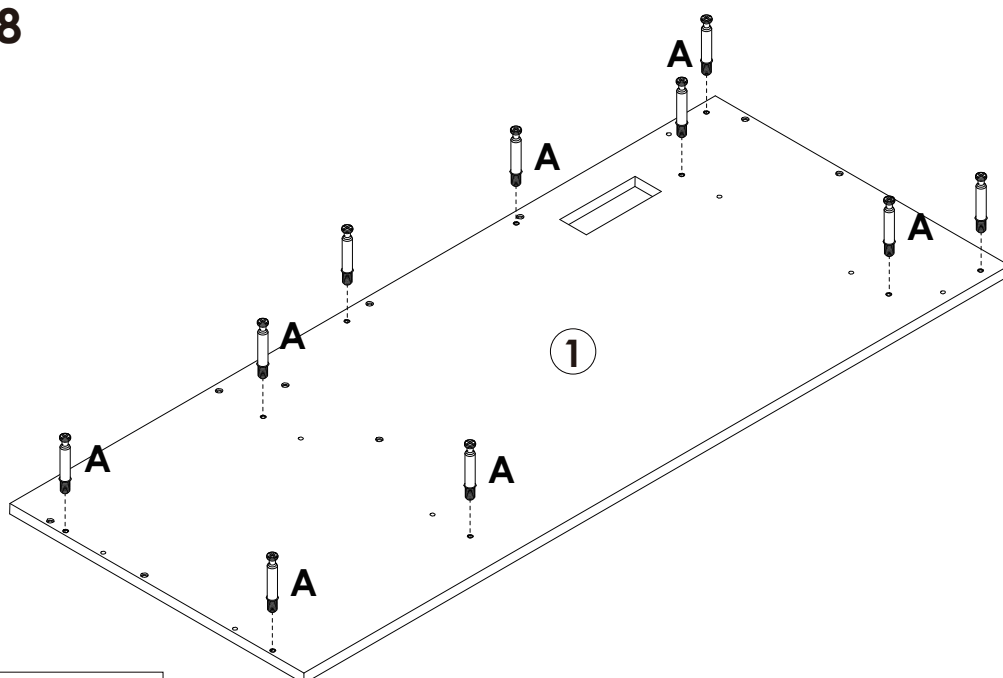
### STEP 27

Lock the long side of the "Q" L-shaped metal plate to the ② board with the "Q" short screw



	<b>B x 6PCS</b>
	<b>Q x 2SETS</b>

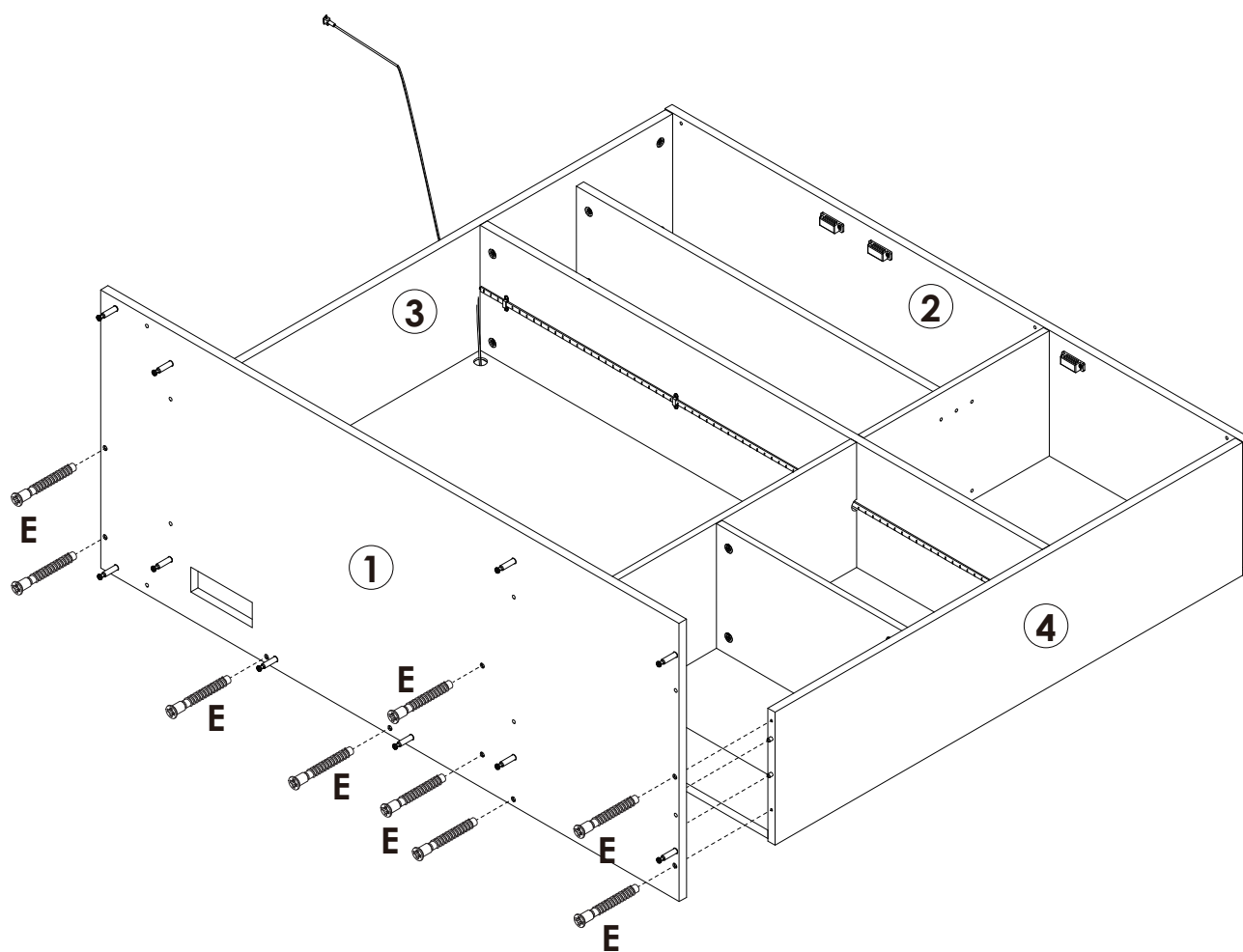
### STEP 28



	<b>A x 10PCS</b>
---	------------------

# Assembly Steps(EN) / Montageschritte(DE)

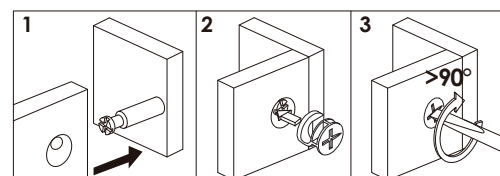
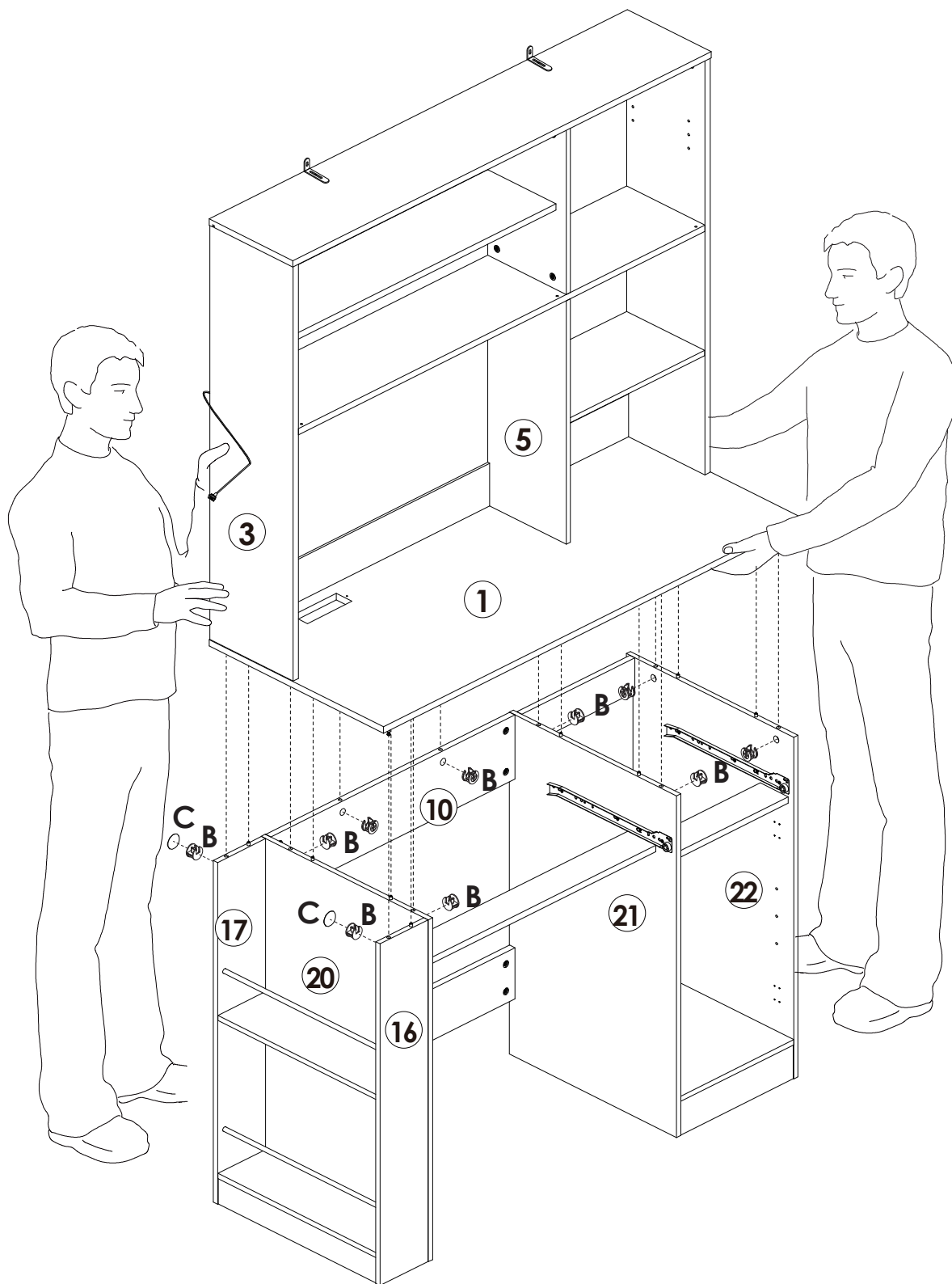
## STEP 29





 **E x 9PCS**

# Assembly Steps(EN) / Montageschritte(DE)

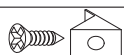
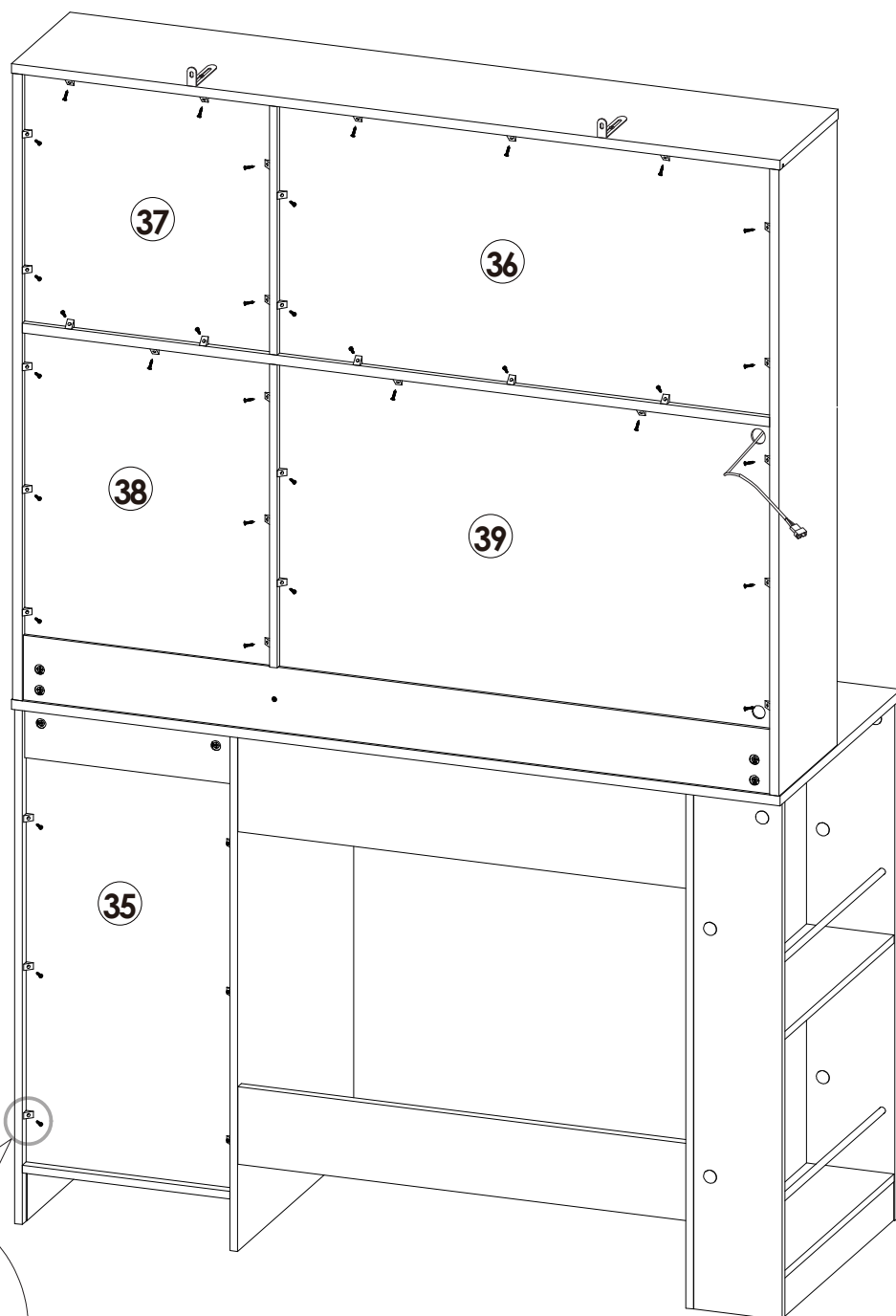
## STEP 30



	<b>B x 10PCS</b>
	<b>C x 2PCS</b>

# Assembly Steps(EN) / Montageschritte(DE)

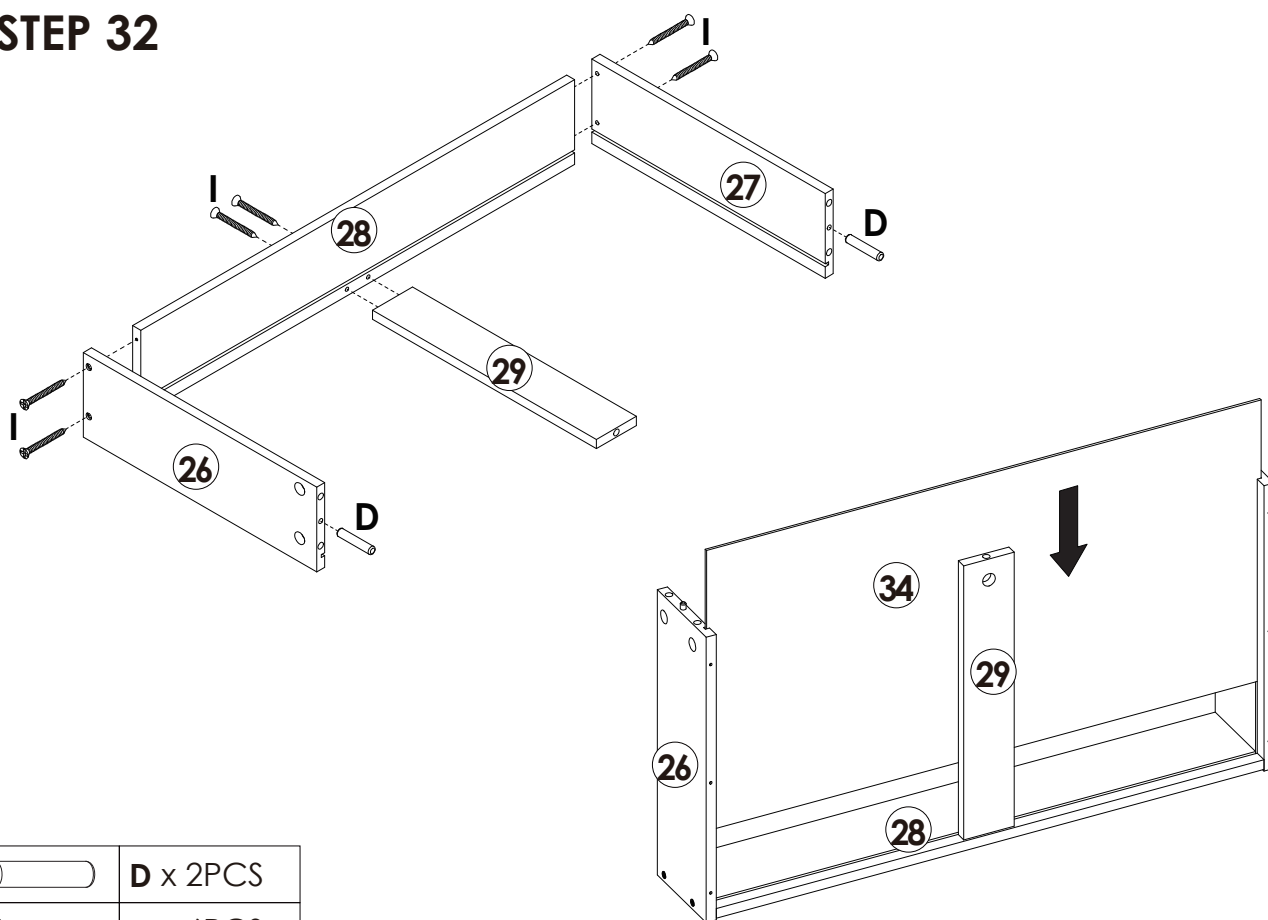
## STEP 31





J x 38SETS

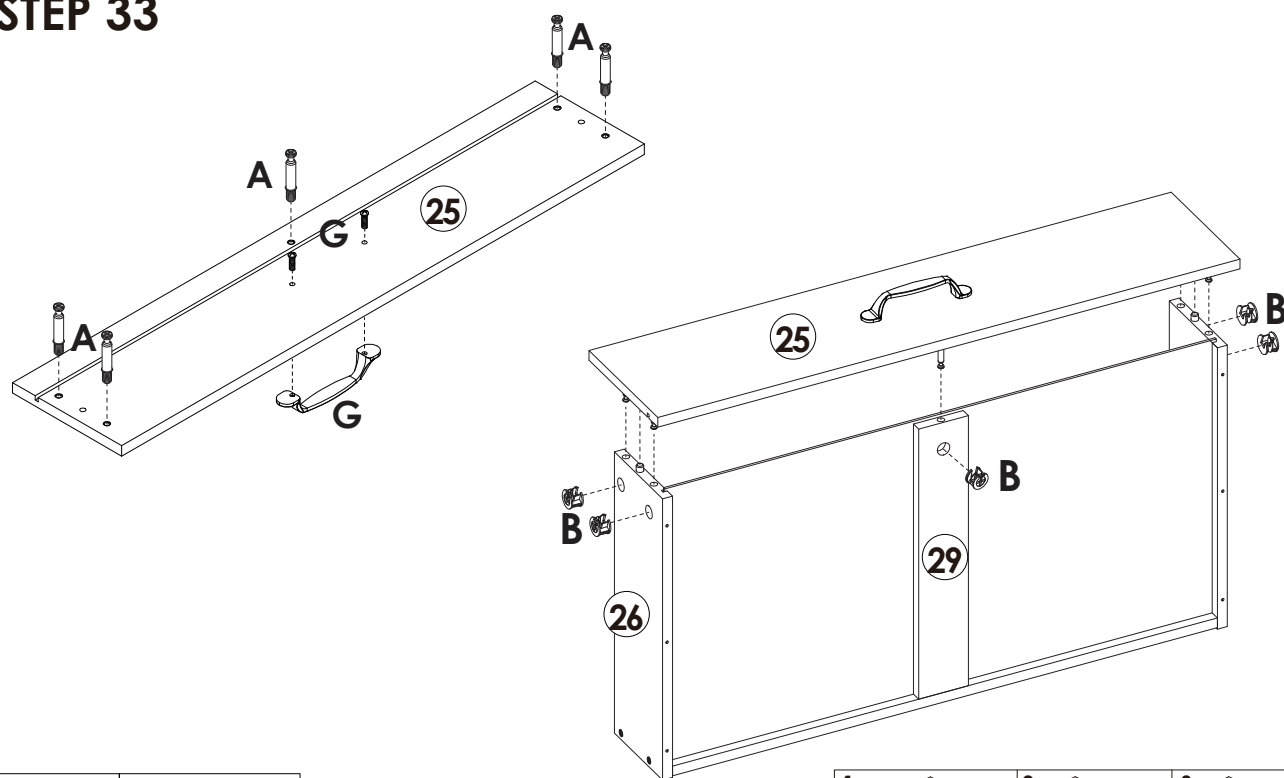
# Assembly Steps(EN) / Montageschritte(DE)

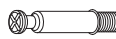


## STEP 32

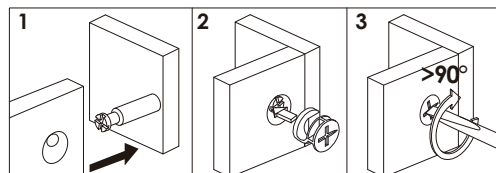


	<b>D</b> x 2PCS
	<b>I</b> x 6PCS

## STEP 33

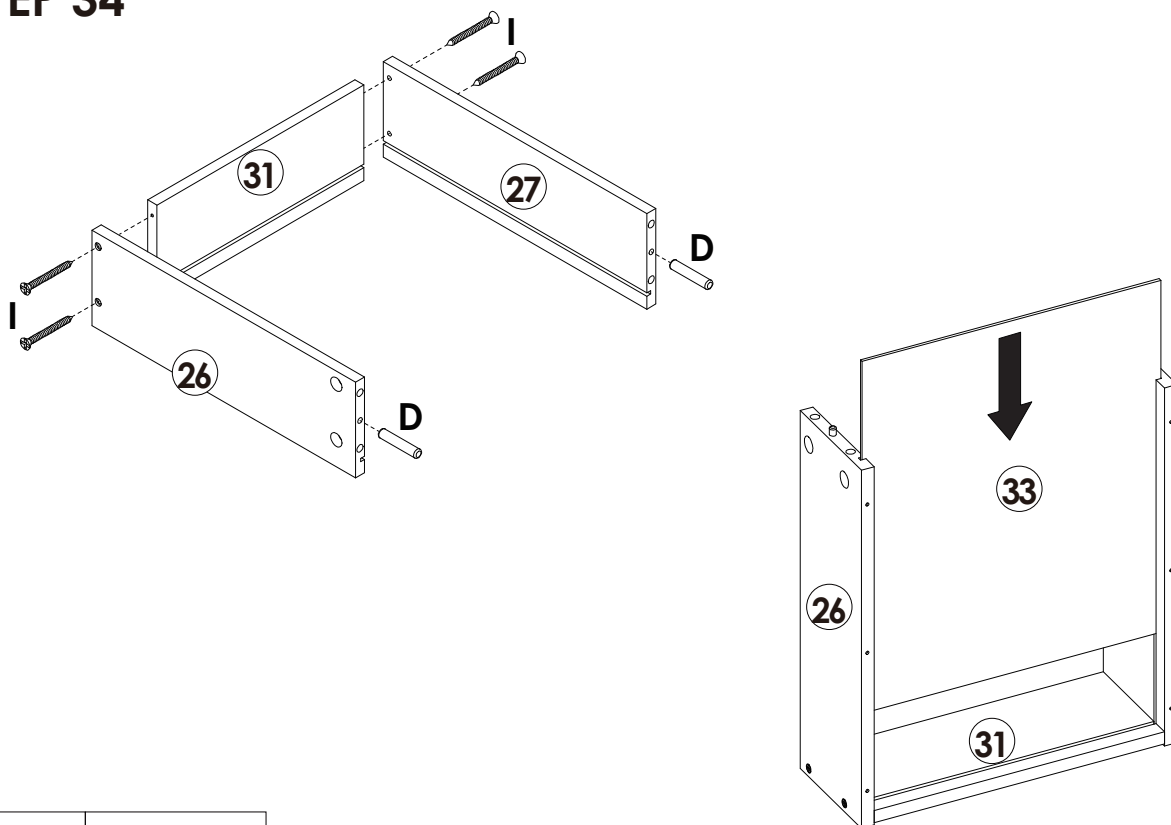




	<b>A</b> x 5PCS
	<b>B</b> x 5PCS
	<b>G</b> x 1SET



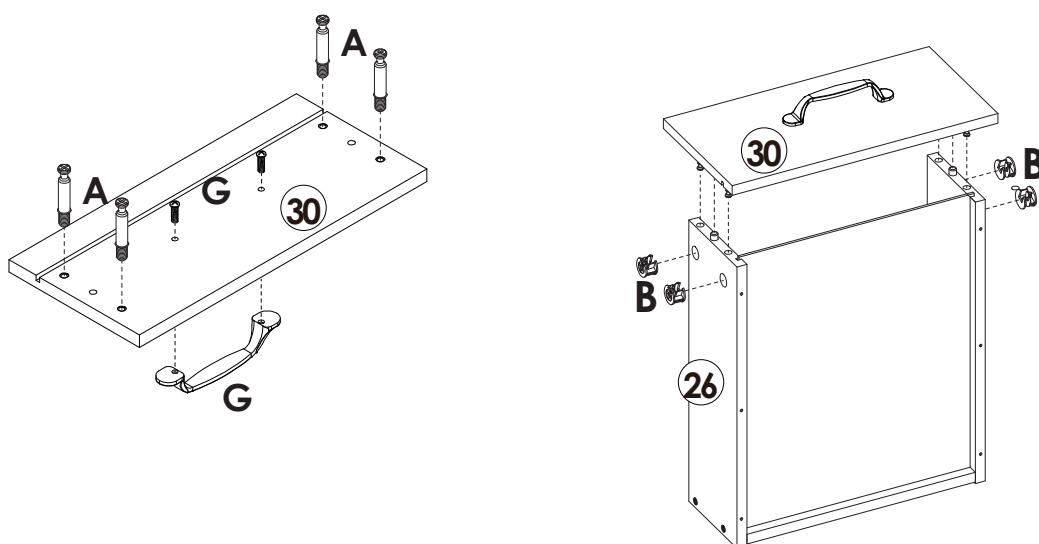
# Assembly Steps(EN) / Montageschritte(DE)

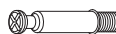


## STEP 34

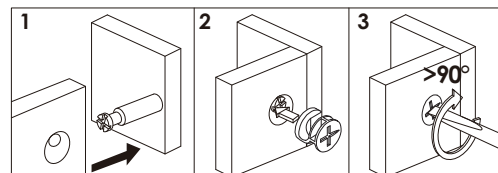


	<b>D</b> x 2PCS
	<b>I</b> x 4PCS

## STEP 35

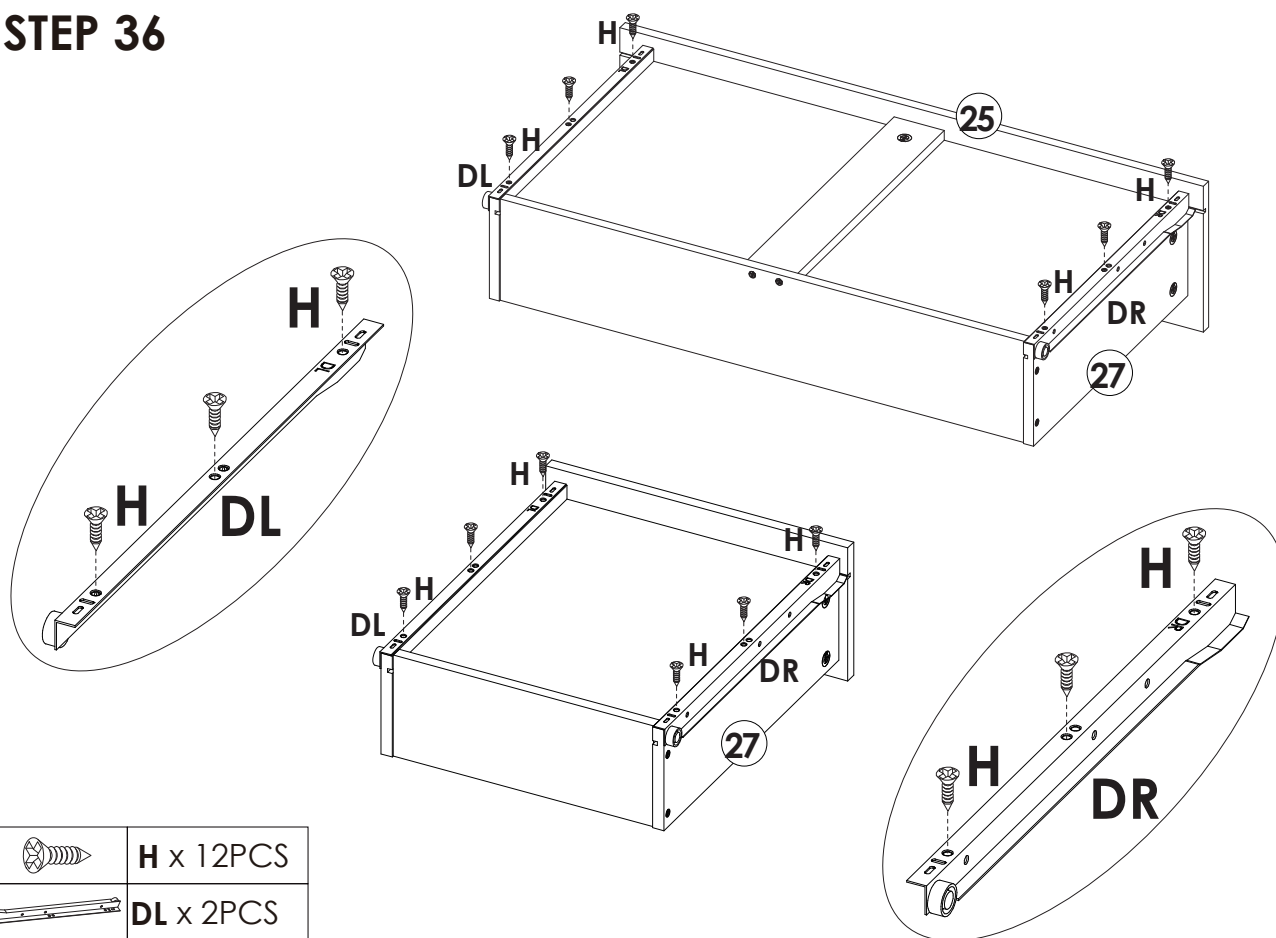





	<b>A</b> x 4PCS
	<b>B</b> x 4PCS
	<b>G</b> x 1SET



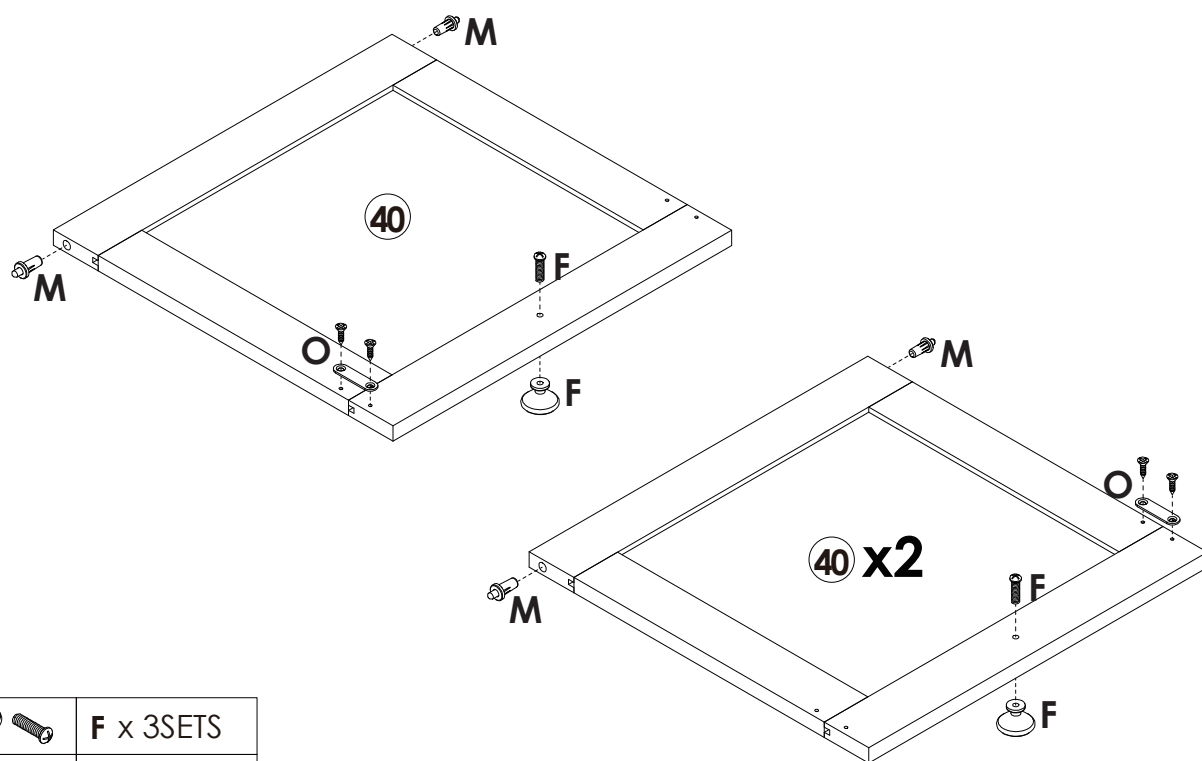
# Assembly Steps(EN) / Montageschritte(DE)


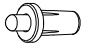

## STEP 36



	H x 12PCS
	DL x 2PCS
	DR x 2PCS

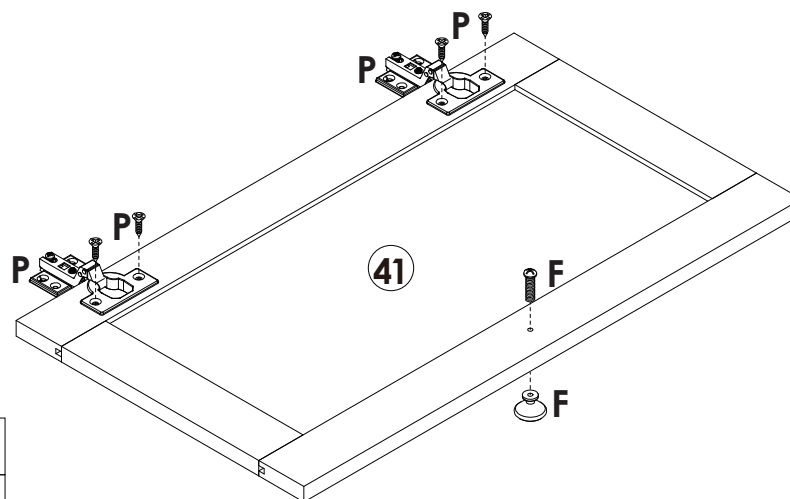
## STEP 37





	F x 3SETS
	M x 6PCS
	O x 3SETS

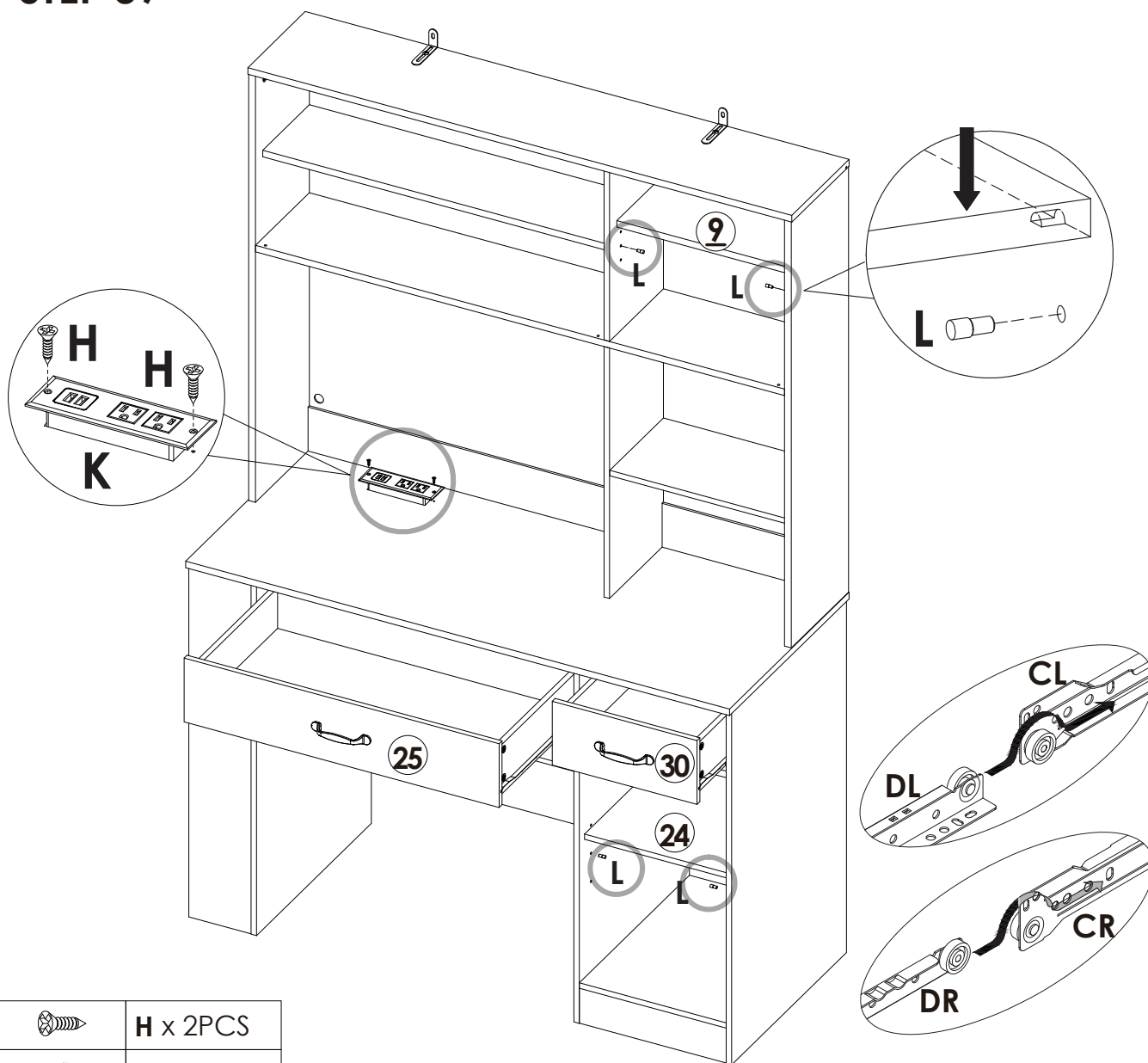
# Assembly Steps(EN) / Montageschritte(DE)


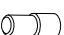

## STEP 38



	F x 1SET
	P x 2SETS

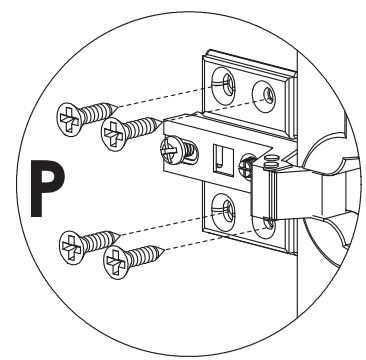
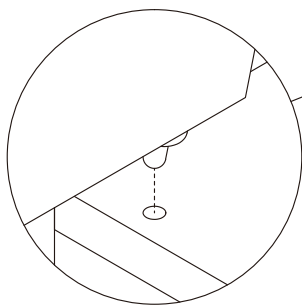
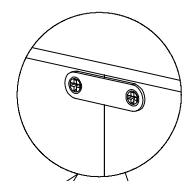
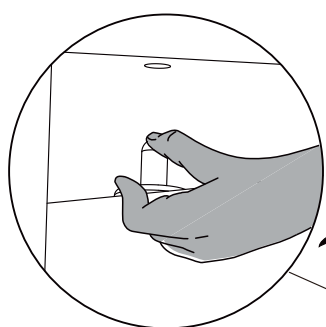
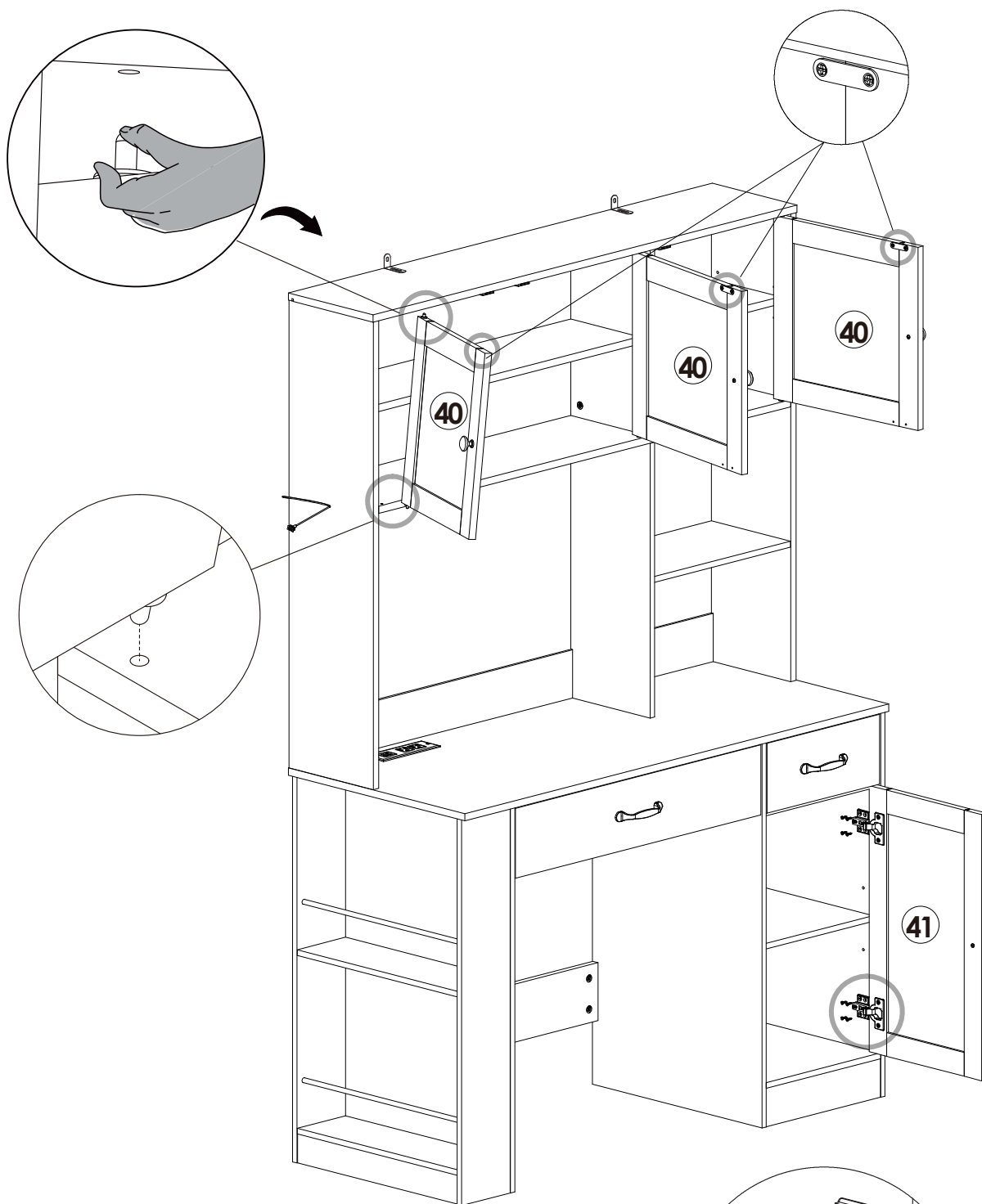
## STEP 39



	H x 2PCS
	L x 8PCS
	K x 1PC

# Assembly Steps(EN) / Montageschritte(DE)

## STEP 40

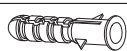
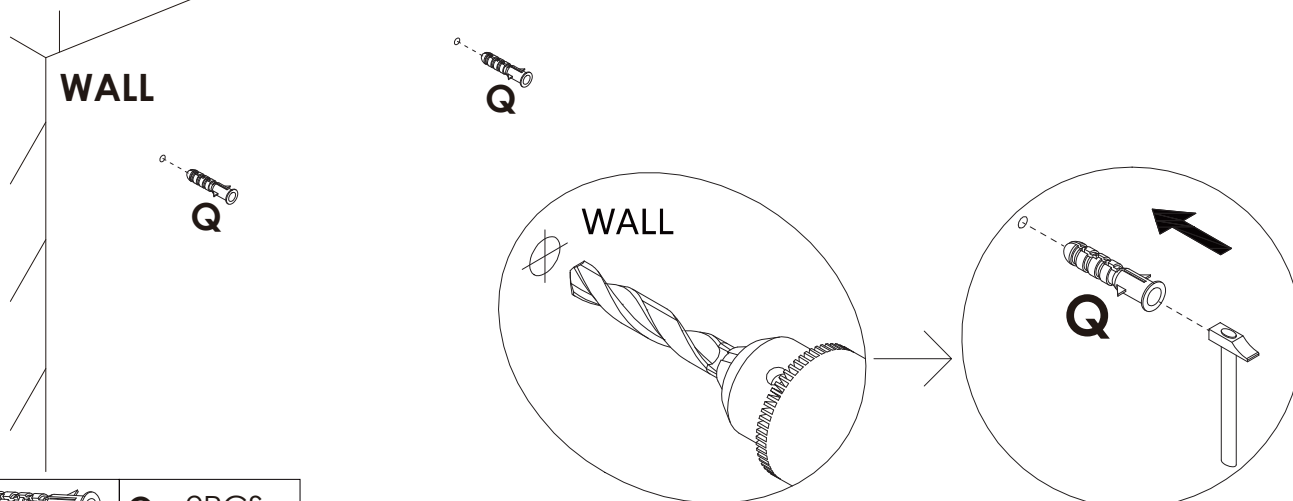


 **P** x 2SETS

## Assembly Steps(EN) / Montageschritte(DE)

### STEP 41

Drill 2 holes on the wall at the required position for anti-falling device installation.



Q x 2PCS

### STEP 42

Move the cabinet to the required position, use the "Q" long screw to fix the cabinet to the wall.

WALL

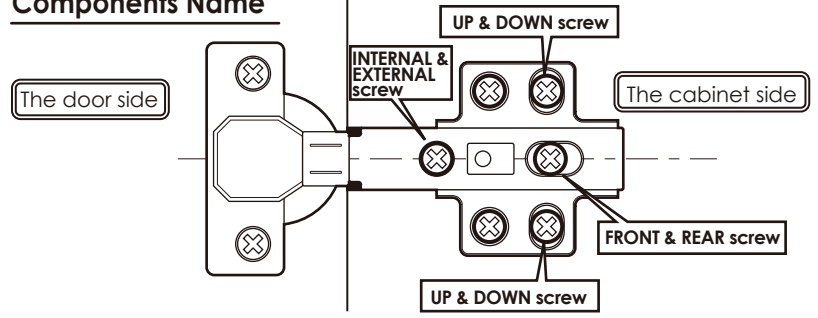


Q x 2PCS

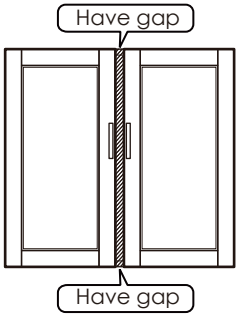
# The ways to adjust the door

- Before adjusting the hinge, please check whether the cabinet is skewed.
- If the skew can not be repaired, please remove the anti-tipping device first, then adjust the cabinet to vertical position.
- Please adjust the hinge with the door open.
- Please operate it with more than 2 people, one person holds the door and the other one adjusts the screw.

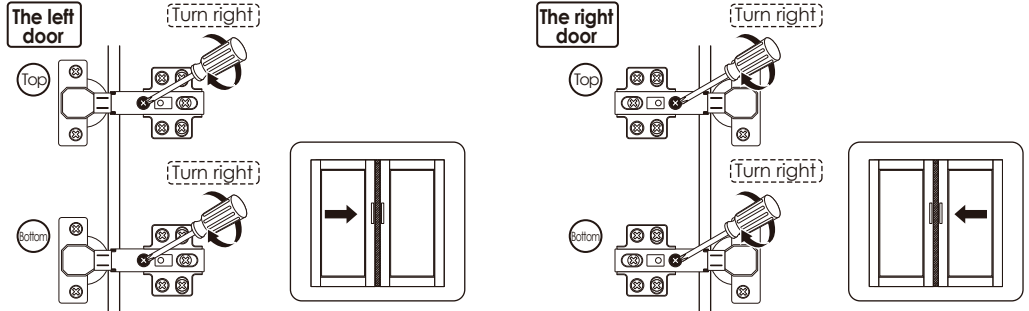
## Components Name



### Obvious gaps between doors or Doors don't look closed



- 1 Turn "internal & external screw" to the right can make the door approach inside. Please adjust the doors little by little.



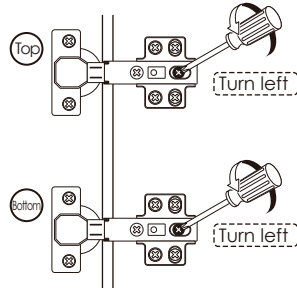
※ If the 2 doors are overlap, please turn the "internal & external screw" to the left.

### When door is crooked



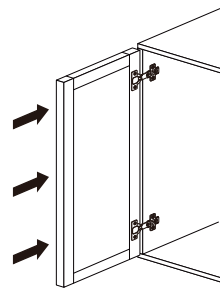
Please take the following steps to adjust first.

- 1 Rotate the "front and rear screws" to the left

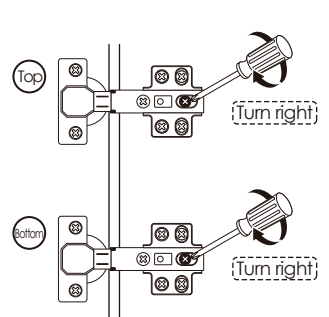


※ After adjusting the "front and rear screw", the door still does not change, please turn the "internal & external screw" to the right slightly.

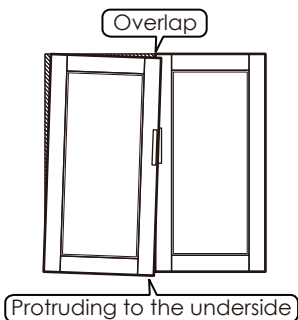
- 2 Push the door to the cabinet



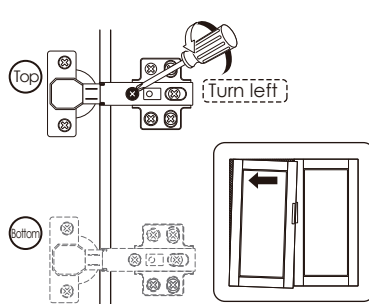
- 3 Rotate the "front and rear screws" to the right



### When door is leaning



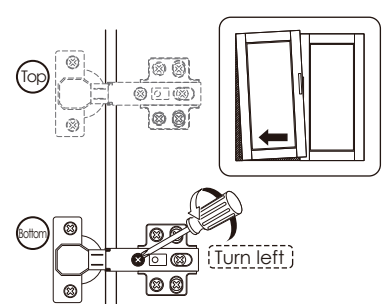
- 1 Turn "internal & external screw" to the left can make the top of the door tilted outward.



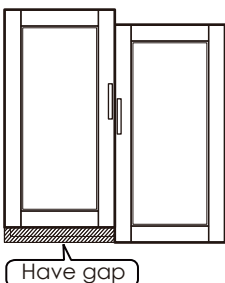
Protruding to the upside



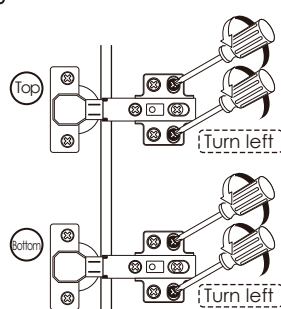
- 1 Turn "internal & external screw" to the left can make the bottom of the door tilted outward.



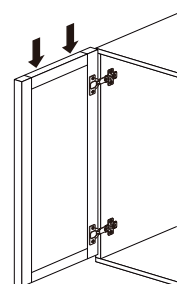
### When the door is higher on top



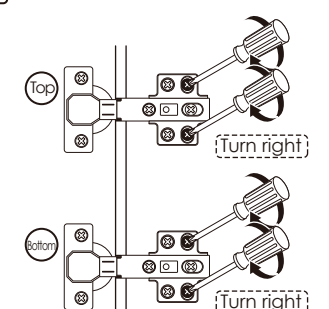
- 1 Turn "up & down screw" to the left



- 2 Lower the door's height so that 2 doors are of the same height.



- 3 Turn "up & down screw" to the right



※ If the door is lower on bottom, please lift up the left door slightly on step 2

## **! WARNING**

**INGESTION HAZARD:** This product contains a button cell or coin battery. **DEATH** or serious injury can occur if ingested.

A swallowed button cell or coin battery can cause **Internal Chemical Burns** in as little as **2 hours**.

**KEEP** new and used batteries **OUT OF REACH of CHILDREN**

**Seek immediate medical attention** if a battery is suspected to be swallowed or inserted inside any part of the body.



- Remove and immediately recycle or dispose of used batteries according to local regulations and keep away from children. Do NOT dispose of batteries in household trash or incinerate.
- Even used batteries may cause severe injury or death.
- Call a local poison control center for treatment information.
- This product contains a CR2025,DC3V coin battery. A coin battery can cause serious internal chemical burns if swallowed.
- Non-rechargeable batteries are not to be recharged.
- Do not force discharge, recharge, disassemble, heat above 132°F (60°C) or incinerate. Doing so may result in injury due to venting, leakage or explosion resulting in chemical burns.
- Ensure the batteries are installed correctly according to polarity (+ and -).
- Do not mix old and new batteries, different brands or types of batteries, such as alkaline, carbon-zinc, or rechargeable batteries.
- Remove and immediately recycle or dispose of batteries from equipment not used for an extended period of time according to local regulations.
- Always completely secure the battery compartment. If the battery compartment does not close securely, stop using the product, remove the batteries, and keep them away from children.

Guangdong Hanron Lighting Co.,Ltd  
Model number: RF-17

**This device complies with Part 15 of the FCC Rules. Operation is subject to the following two conditions:**

(1) This device may not cause harmful interference, and (2) this device must accept any interference received, including interference that may cause undesired operation.

**Caution:** changes or modifications not expressly approved by the party responsible for compliance could void the user's authority to operate the equipment.

**NOTE:** This equipment has been tested and found to comply with the limits for a Class B digital device, pursuant to Part 15 of the FCC Rules. These limits are designed to provide reasonable protection against harmful interference in a residential installation. This equipment generates, uses and can radiate radio frequency energy and, if not installed and used in accordance with the instructions, may cause harmful interference to radio communications. However, there is no guarantee that interference will not occur in a particular installation. If this equipment does cause harmful interference to radio or television reception, which can be determined by turning the equipment off and on, the user is encouraged to try to correct the interference by one or more of the following measures:

- Reorient or relocate the receiving antenna.
- Increase the separation between the equipment and receiver.
- Connect the equipment into an outlet on a circuit different from that to which the receiver is connected.
- Consult the dealer or an experienced radio/TV technician for help.



## WARNING



Children have died from furniture tipover. To reduce the risk of furniture tipover:

- **ALWAYS** install Anti-tip device provided.
- **NEVER** put a TV on this product.
- **NEVER** allow children to stand, climb or hang on any drawers, doors, or shelves.
- **NEVER** open more than one drawer at a time.
- Place heaviest items in the lowest drawers.



***This is a permanent label.  
Do not remove!***