

Model #DV-1V0347

Overall Dimension: 15 3/4" L x 11 13/16" W x 4 15/16" H

Features:

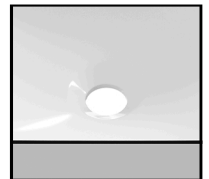
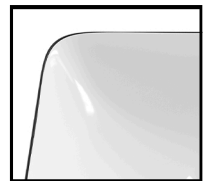
●Featuring a sleek rectangular shape and a sleek white exterior with contrasting black edges, this container sink is the perfect addition to your bathroom decor.

●Crafted from high-quality ceramic materials, this sink is durable against scratches, stains, and maintains anti-fade capability.

●The semi-recessed installation method enhances load-bearing capacity, ensuring stability even under frequent use and minimizing the need for repairs and replacements.

●Thanks to its smooth surface, dirt and grime are easily wiped away, making cleaning a hassle-free task. Say goodbye to stubborn stains and hello to a pristine sink with minimal effort.

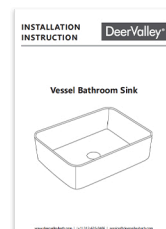
●Works with any vessel or wall-mount faucet, allowing you to choose the style that best suits your bathroom.



Package Included:



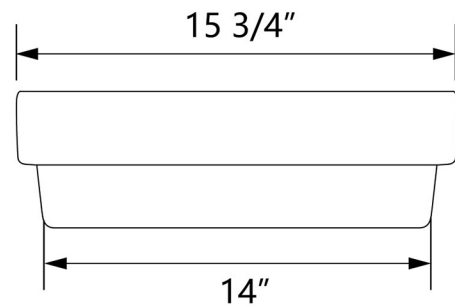
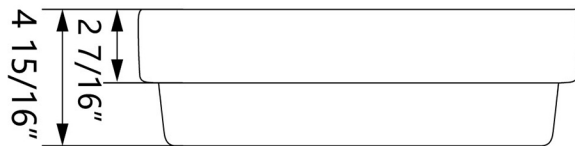
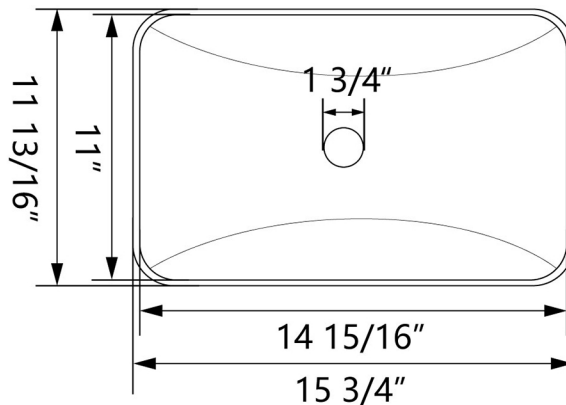
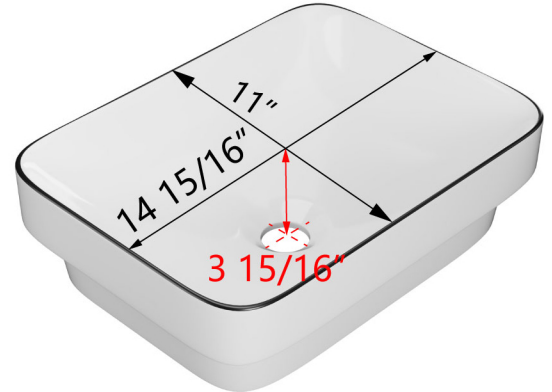
●Vessel Sink



●User Manual

Technical Specifications:

- + Product Size: 15 3/4" L x 11 13/16" W x 4 15/16" H
- + Sink Interior Size: 14 15/16" L x 11" W x 3 15/16" H
- + Weight: 14.66 lbs
- + Color: White Basin + Black Rim
- + Drain: 1 3/4" Diameter



#DV-1V0347

Sinks are individually handcrafted, so sizes may vary slightly.

1 Year Warranty

All DeerValley bathroom sinks come with our warranty within one year.

