

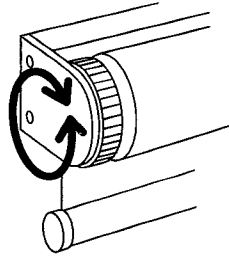
# INSTALLATION AND CARE INSTRUCTIONS

# Insulated Spring Roller Shade

## GETTING TO KNOW YOUR SHADE

### Operation

Your roller shade is constructed with bottom rail and attached pull cord for operating the shade. When operating/handling the shade, we recommend using the bottom rail or cord to avoid soiling the fabric.



To adjust the spring tension on the roller, simply rotate the dial on the left side of the shade. Rotate the dial towards the floor to tighten (makes shade roll faster) or rotate towards the ceiling to loosen (makes shade roll slower).

\* Because your shade comes packaged snugly inside a vinyl sleeve, the fabric may be creased. Creases can be removed by using a steam iron on high heat.

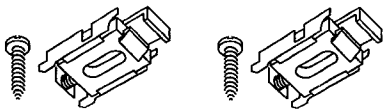
### CLEANING

Use a feather duster or lightly vacuum the shade fabric with the soft brush attachment.

### PACKAGE CONTENTS

- One spring roller shade on headrail.
- One mounting bracket kit.

Mounting bracket kit includes:



- (3) three screws (one extra screw) and  
(2) two brackets

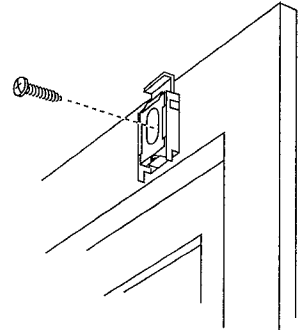
## INSTALLATION

### Bracket Location & Installation

Decide whether your shade will be mounted *outside* or *inside* the window frame.

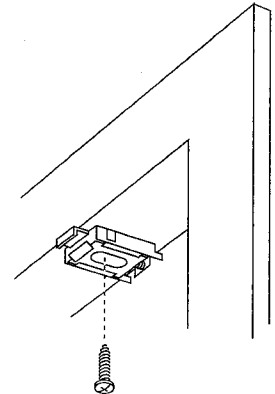
#### Outside Mount

Place shade bracket as shown, at least 3" inside where the end of the head rail will rest. Mark screw hole. Then screw bracket. Repeat steps to install the second bracket at the other side of the window frame.



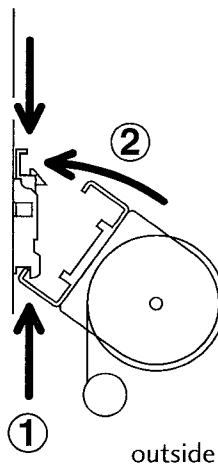
#### Inside Mount

Place shade bracket as shown at least 3" inside where the end of the head rail will rest. Mark screw hole. Then screw bracket. Repeat steps to install the second bracket at the other side of the window frame.

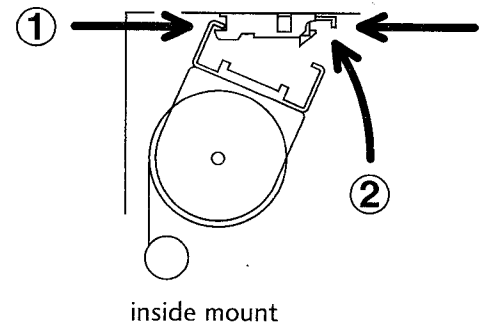


### Securing the head rail to the brackets:

- ① Hook one side of head rail on the metal teeth of the brackets.
- ② Press other side of headrail against the spring loaded plastic tooth on the other side of the bracket while pressing the plastic in (inside mount) or down (outside mount). When the head rail is snug against the bracket, release the plastic and the shade will be firmly in place.



outside mount



inside mount