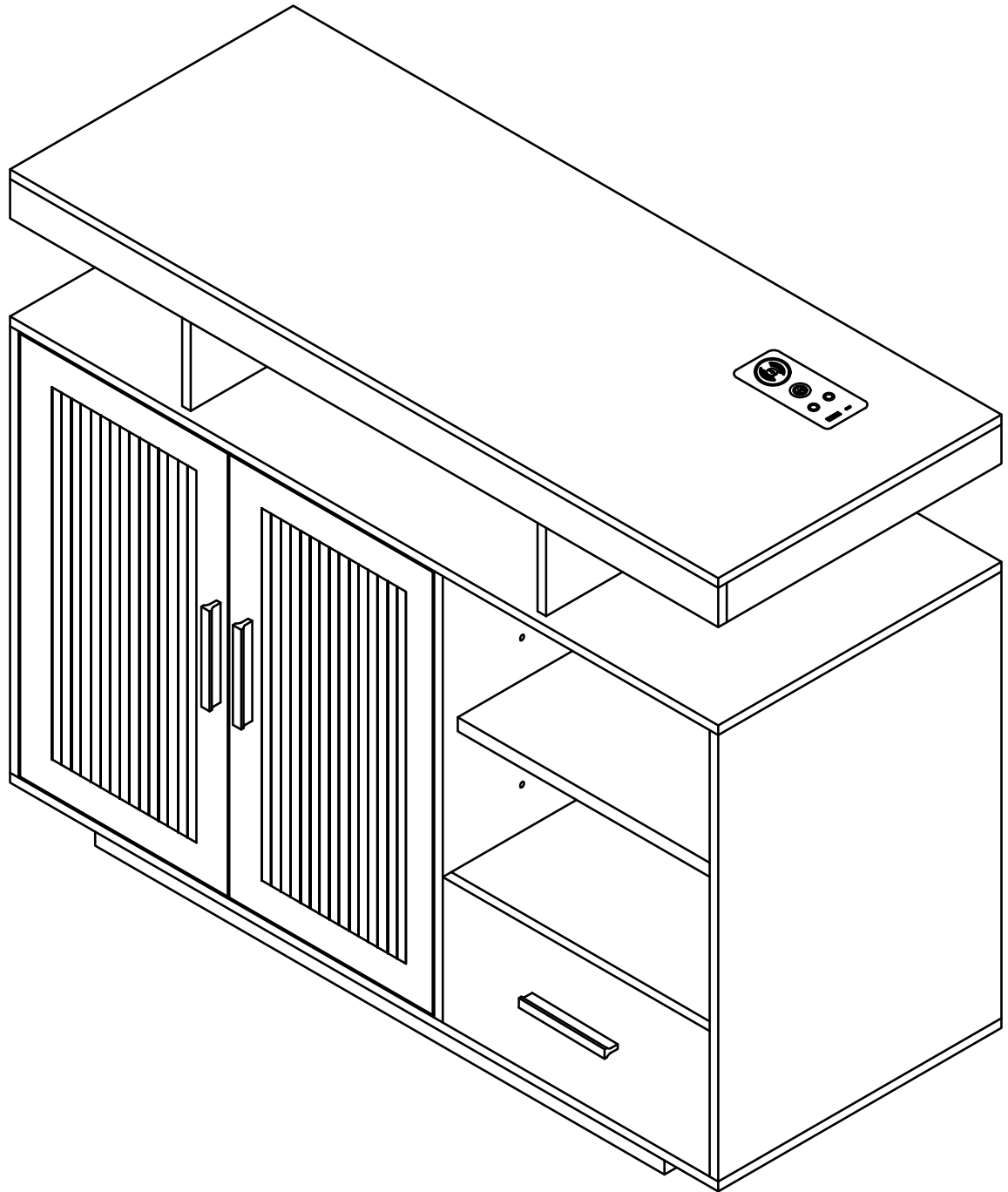
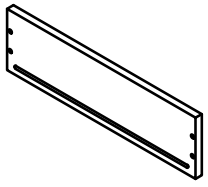
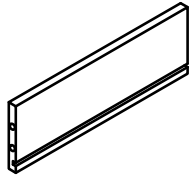


# Product Installation Instructions

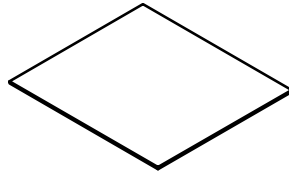




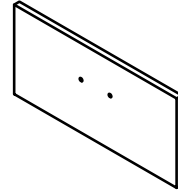
Ax1



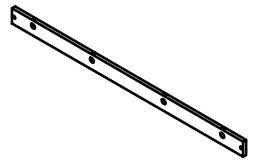
Bx2



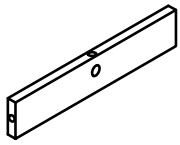
Cx1



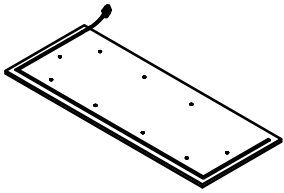
Dx1



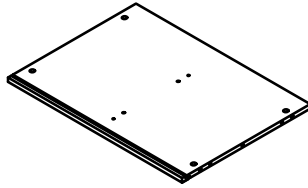
Ex2



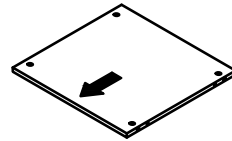
Fx2



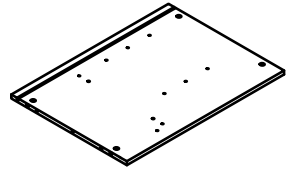
Gx1



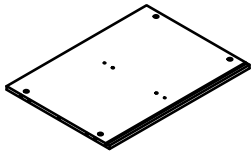
Hx1



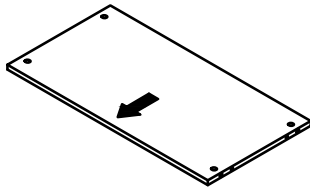
Ix1



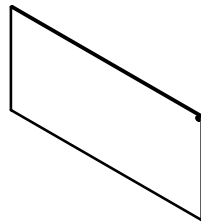
Jx1



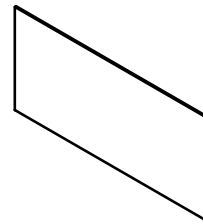
Kx1



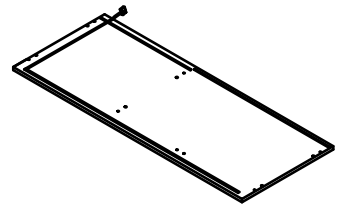
Lx1



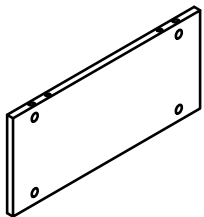
Mx1



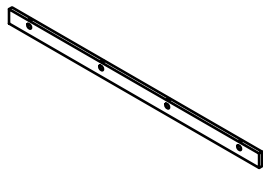
Nx1



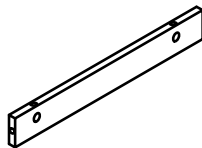
Ox1



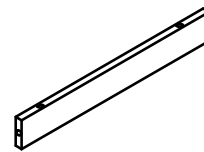
Px2



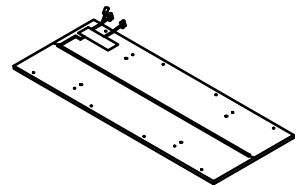
Qx1



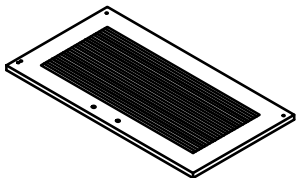
Rx1



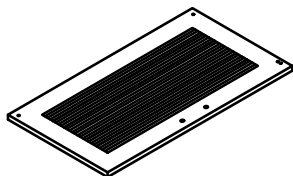
Sx1



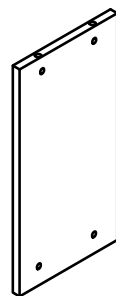
Tx1



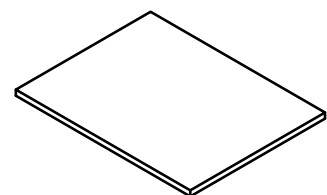
Ux1



Vx1



Wx1

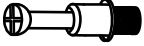

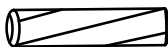
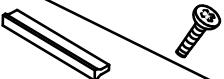

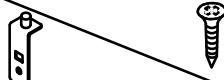

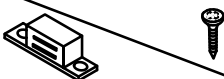


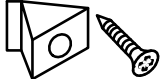





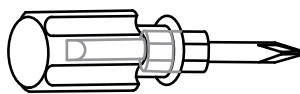
Xx1



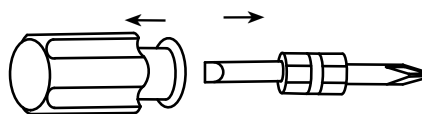
1

# Accessories list

①		Two in one screw (6x28mm)	66pcs +4pcs
②		Two in one nut (10x12mm)	66pcs +4pcs
③		Wood chipping (6x30mm)	31pcs +4pcs
④		Handle & screw (4x16mm)	3pcs / 6pcs +1pcs
⑤		Iron bar	2pcs
⑥		Cabinet door hinge & Screw (3x10mm)	4pcs / 8pcs +1pcs
⑦		AC/DC Adapter (12V 3.0A)	1pcs
⑧		Magnetic attraction & screw (3x10mm)	2pcs / 4pcs +1pcs
⑨		Back adhesive seal PVC (Width 20mm)	1pcs
⑩		Non-slip pads	6pcs +2pcs
⑪		Fixing clip & screw (3x16mm)	10pcs
⑫		Laminate bracket	4pcs
⑬		Clamp	2pcs
⑭		Countersunk head tapping screw(3x10mm) gasket	2pcs

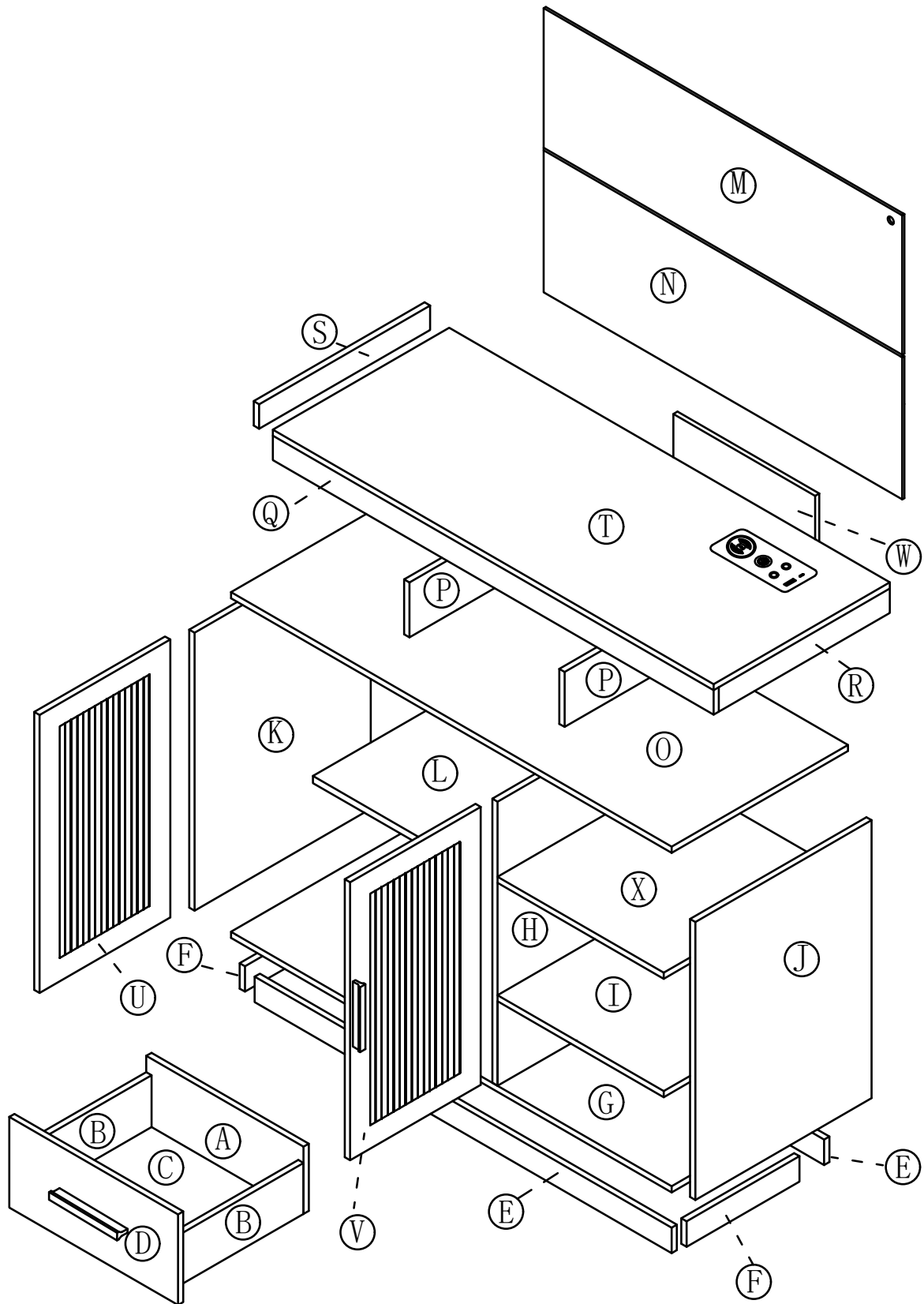


1pcs

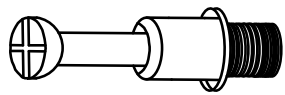


Double-head screwdriver, use as required

# Product structure decomposition

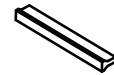


1



8pcs

4



1pcs

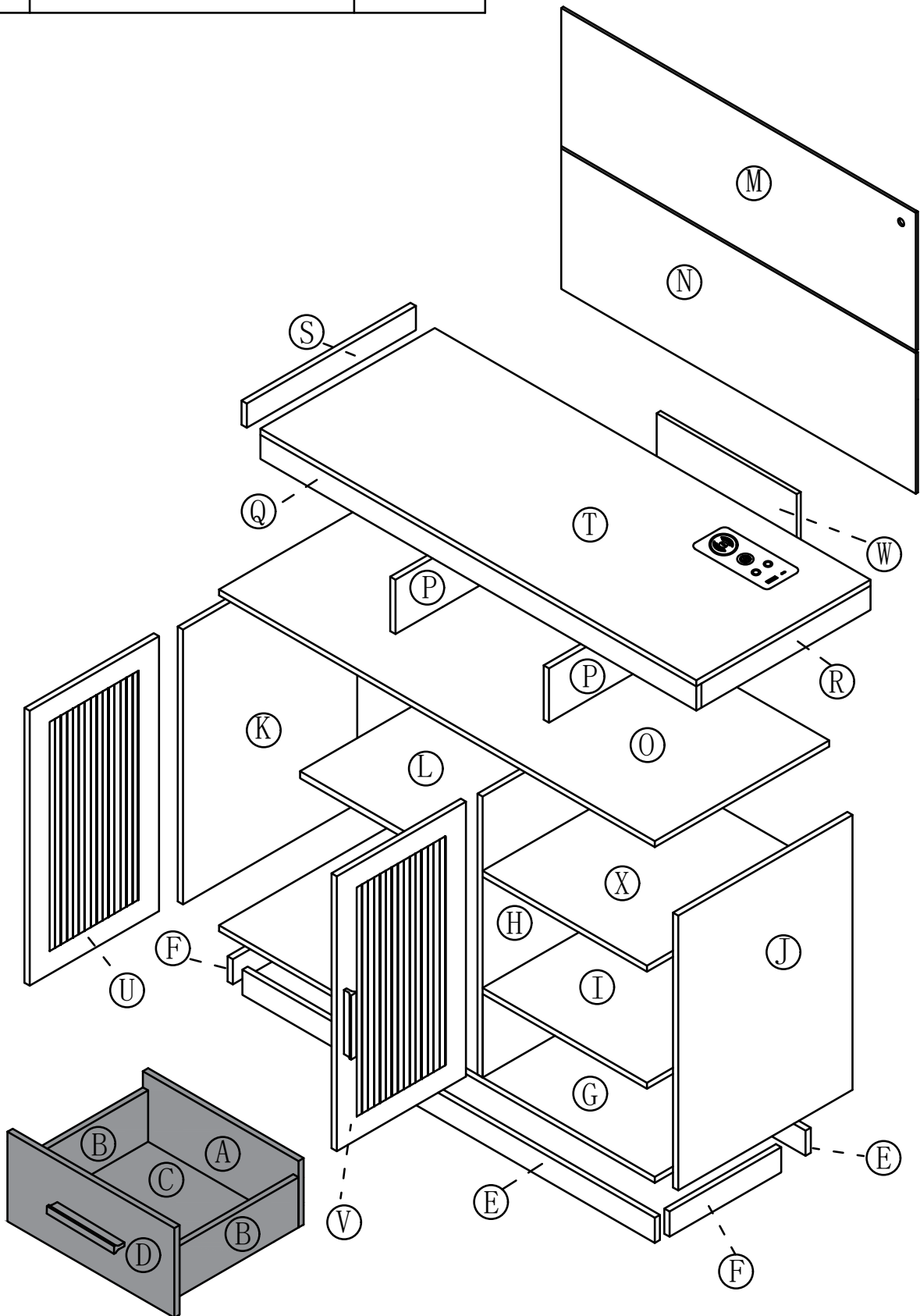


2pcs

2

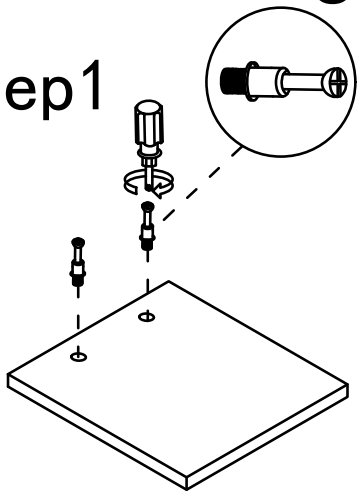


8pcs

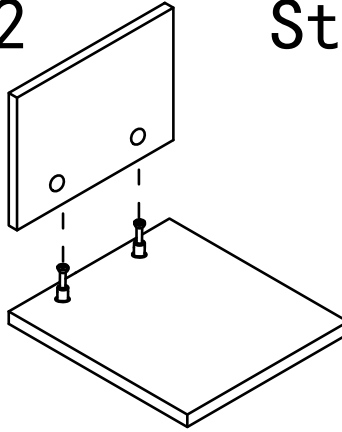


# Use parts ① and ②

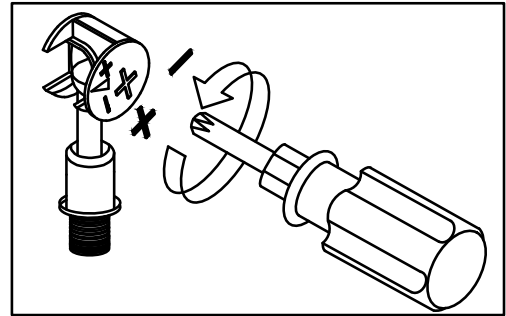
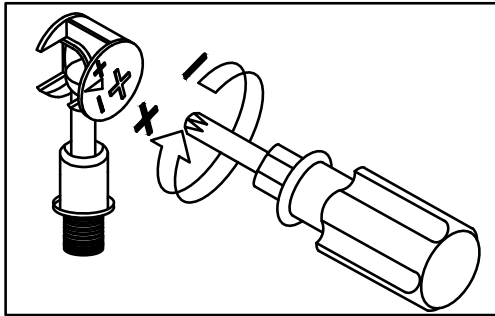
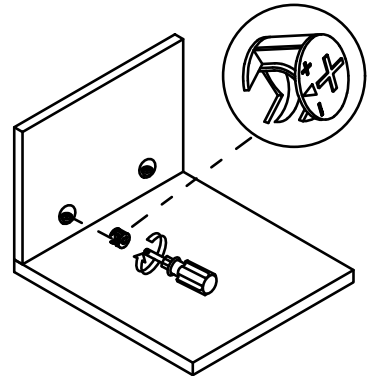
Step1



Step2



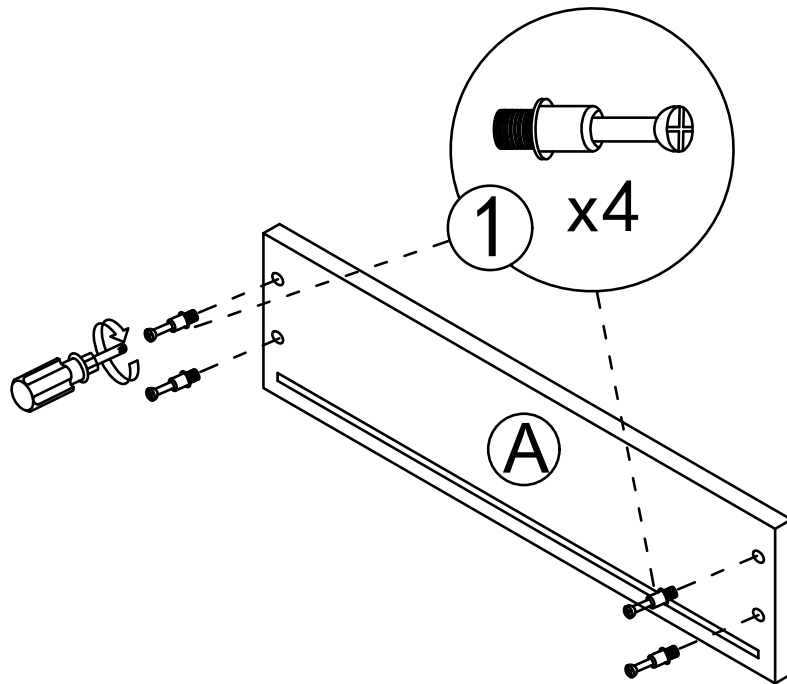
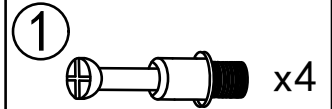
Step3



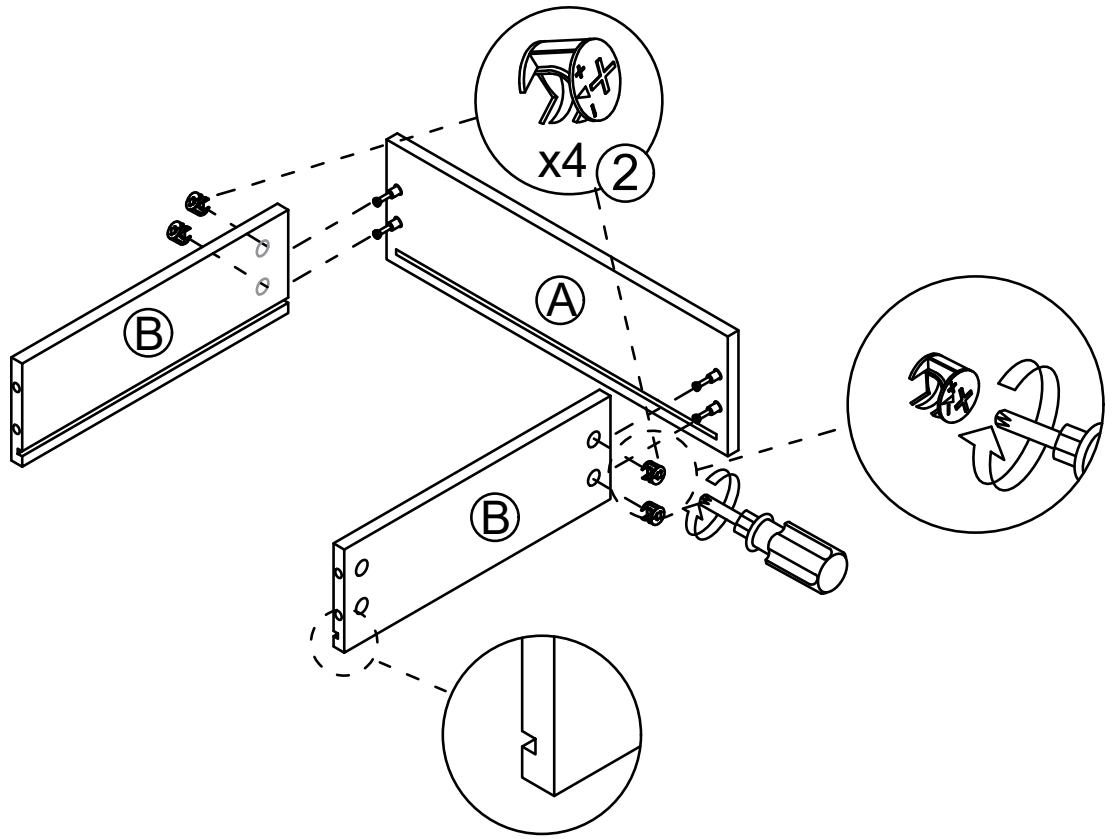
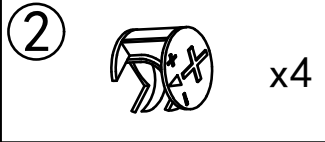
Use a screwdriver to lock in the direction of the "+" sign

Disassemble along the direction of "-" sign

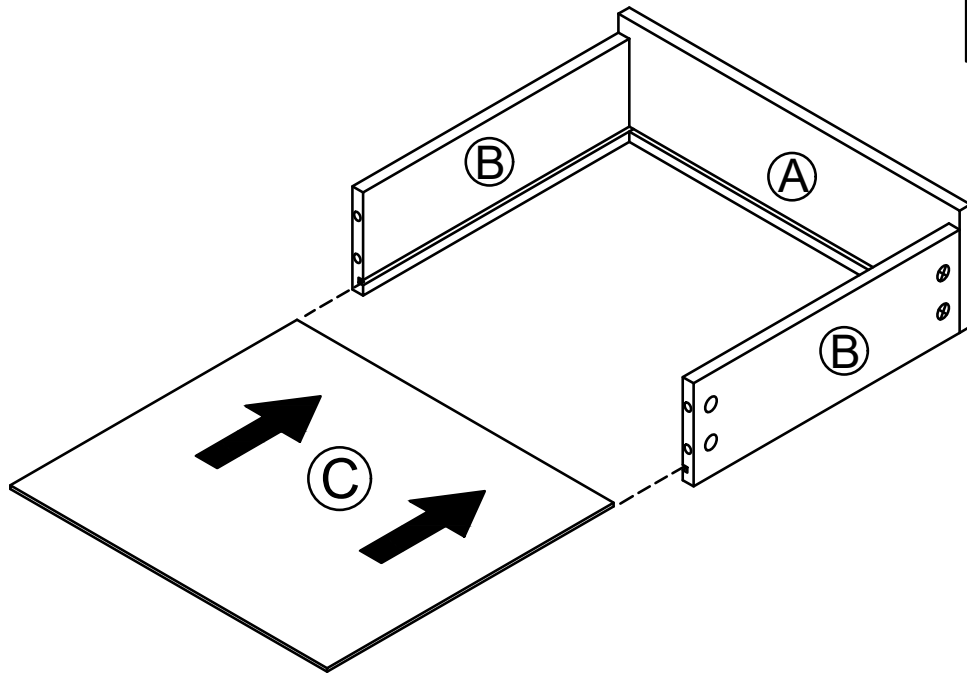
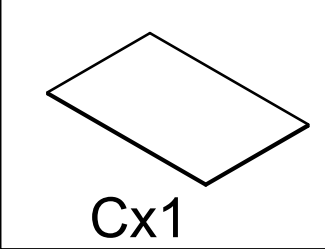
Step 1



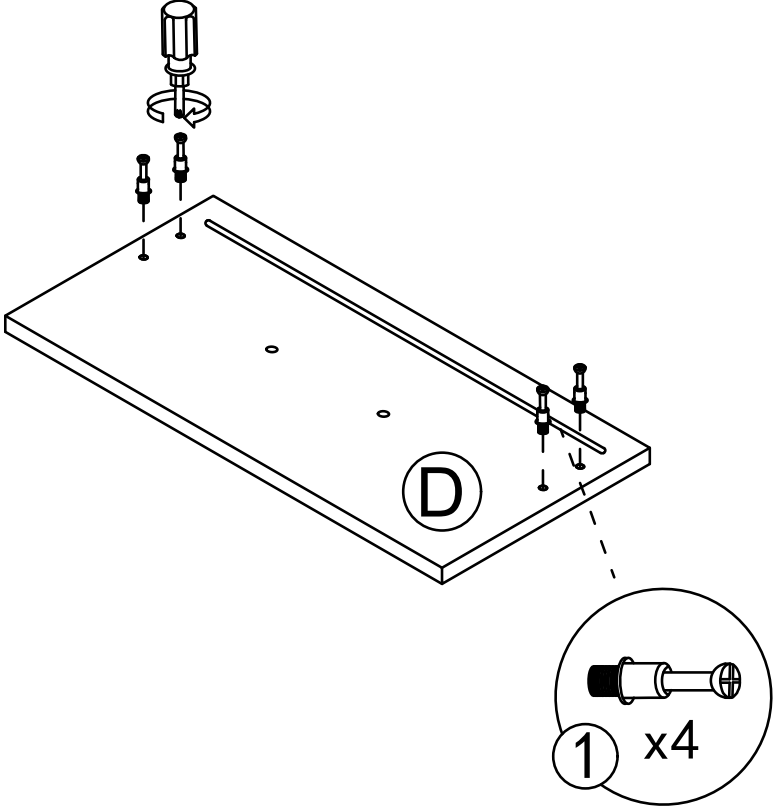
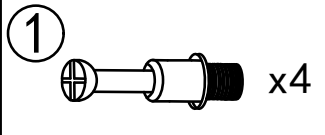
Step 2



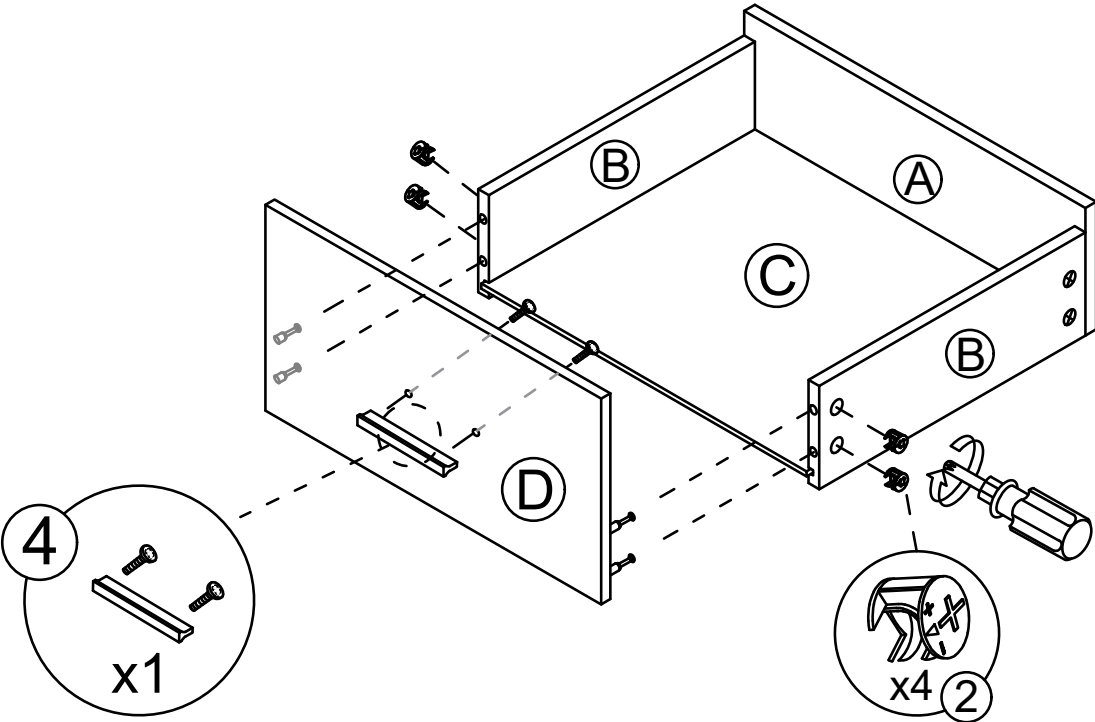
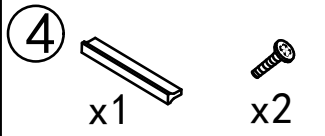
Step 3

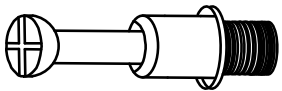
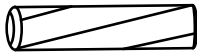

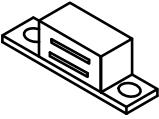

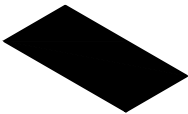


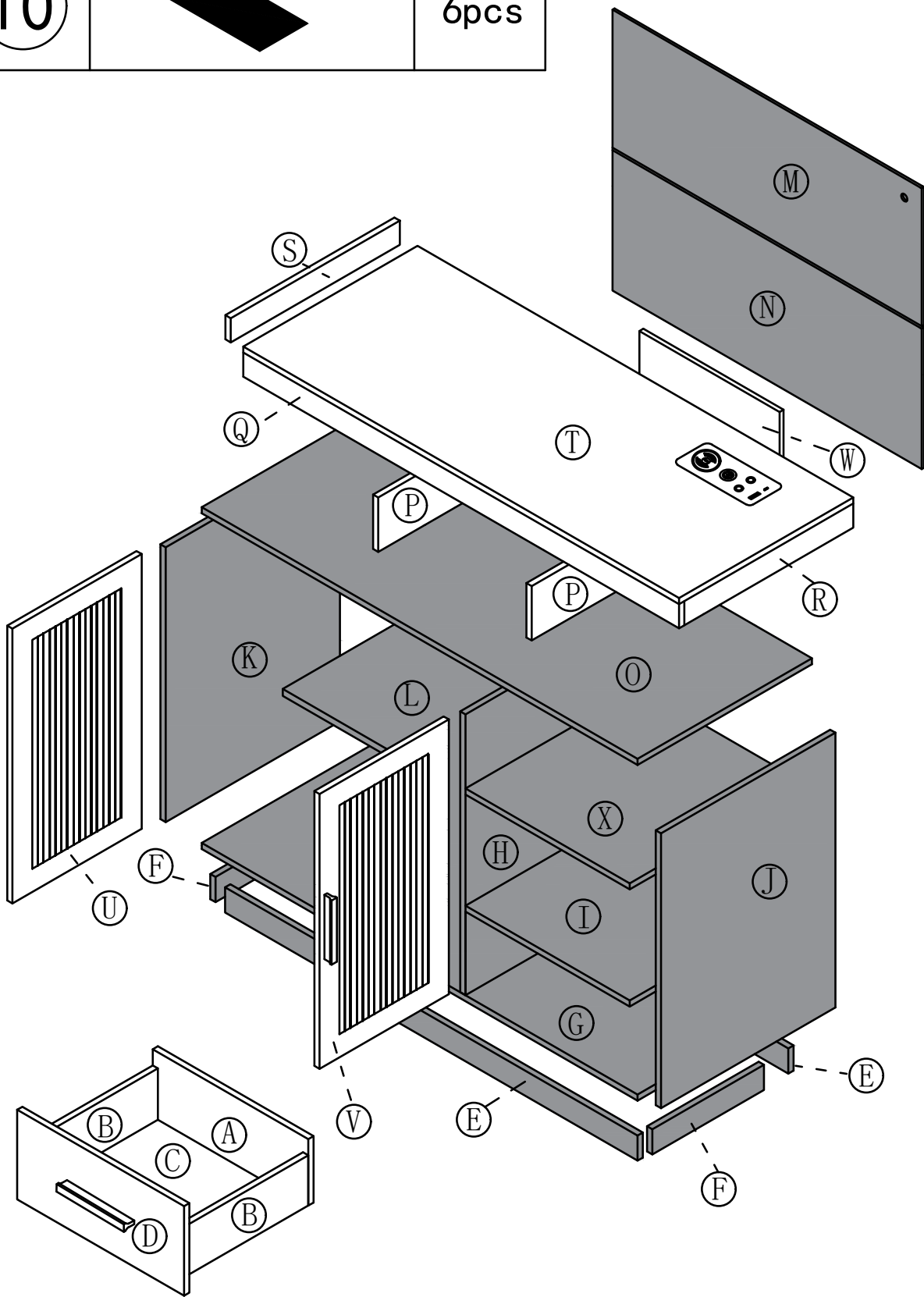
Step 4



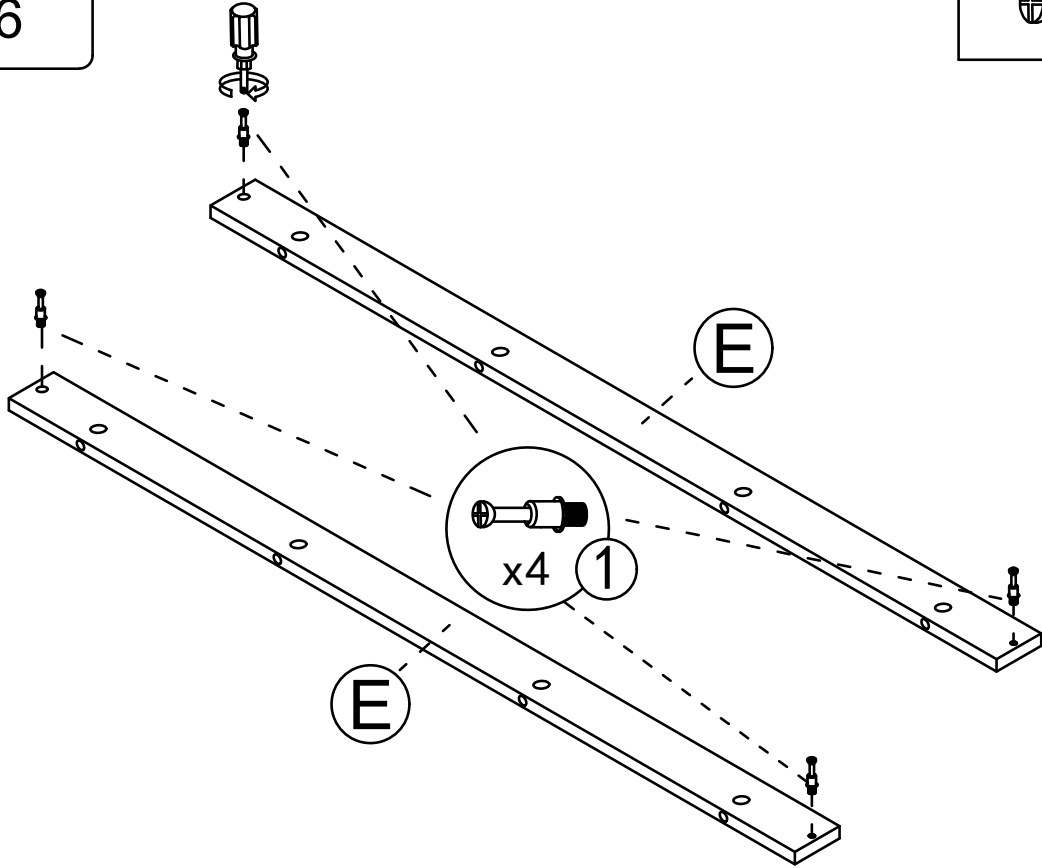
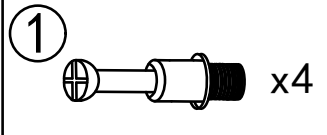
Step 5



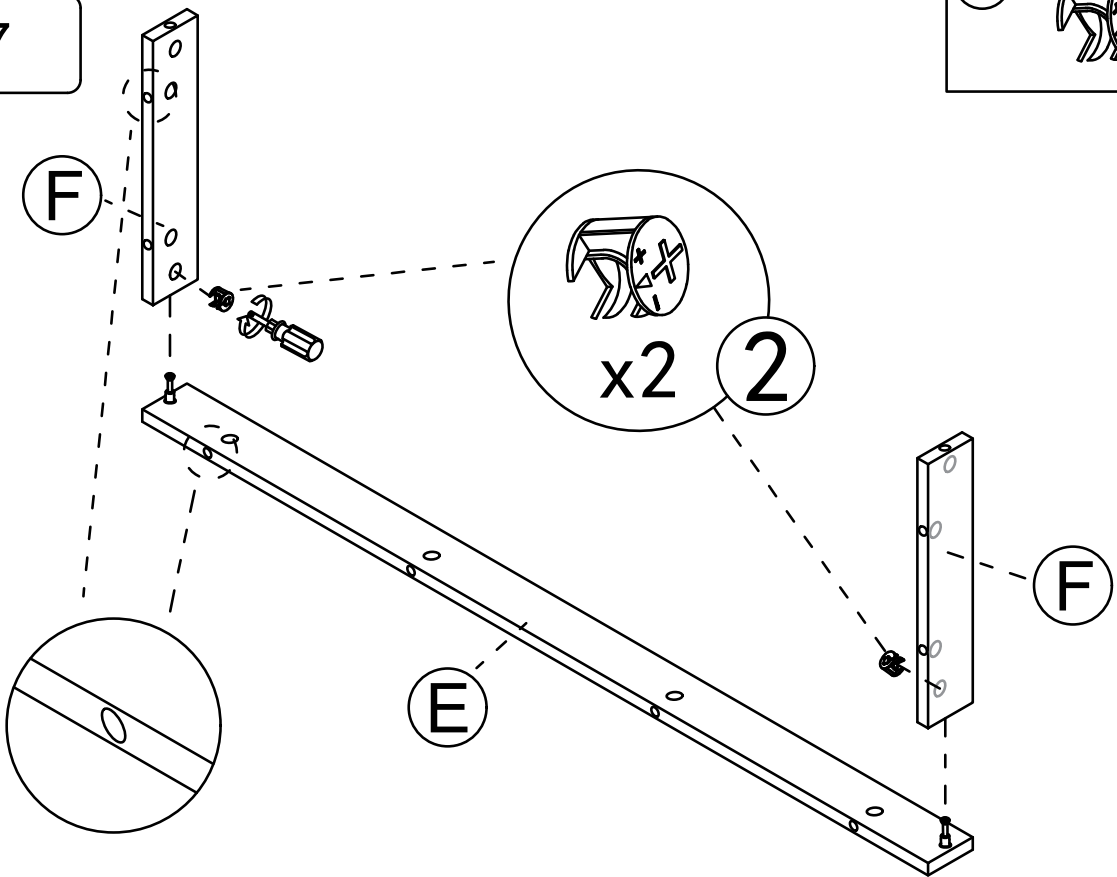
①		36pcs	③		23pcs
②		36pcs	⑧	 1pcs	 2pcs
⑩		6pcs			



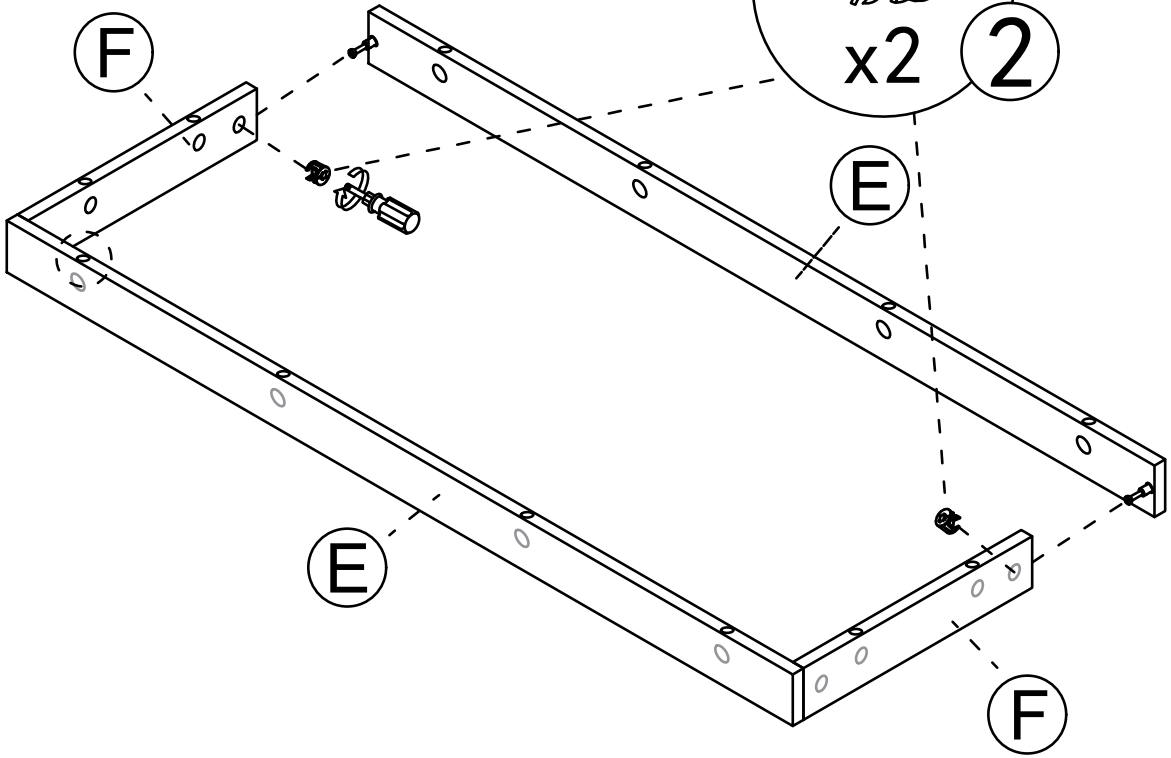
Step 6



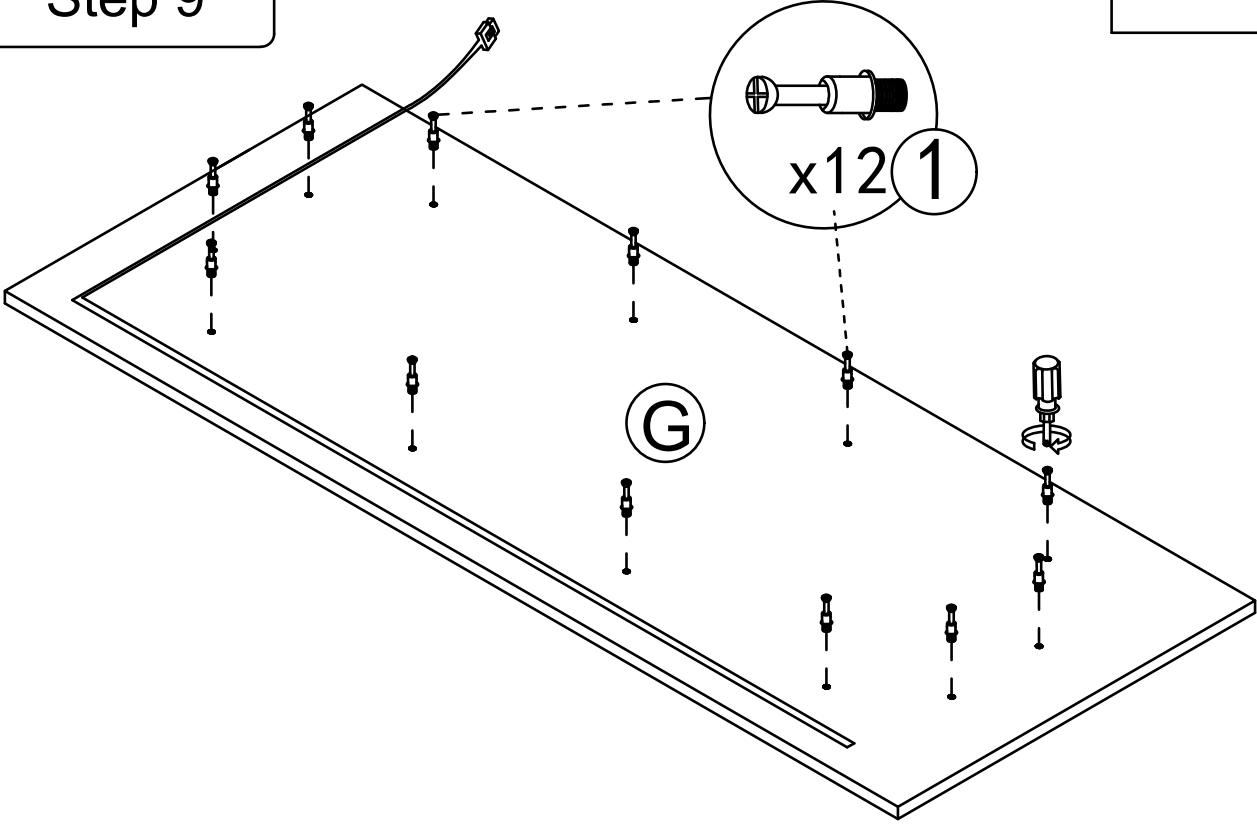
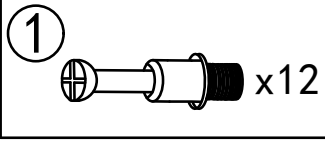
Step 7



Step 8



Step 9

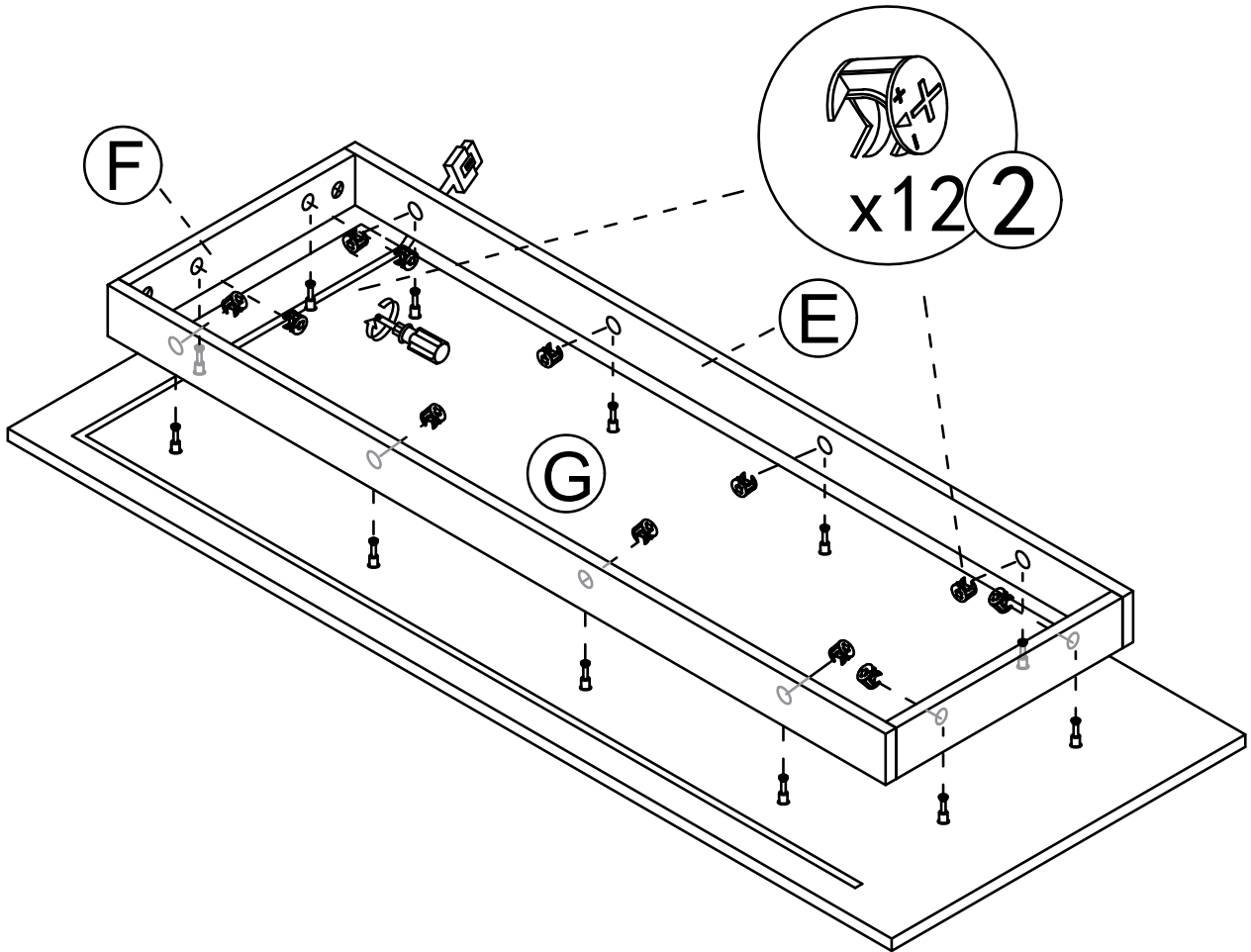


Step 10

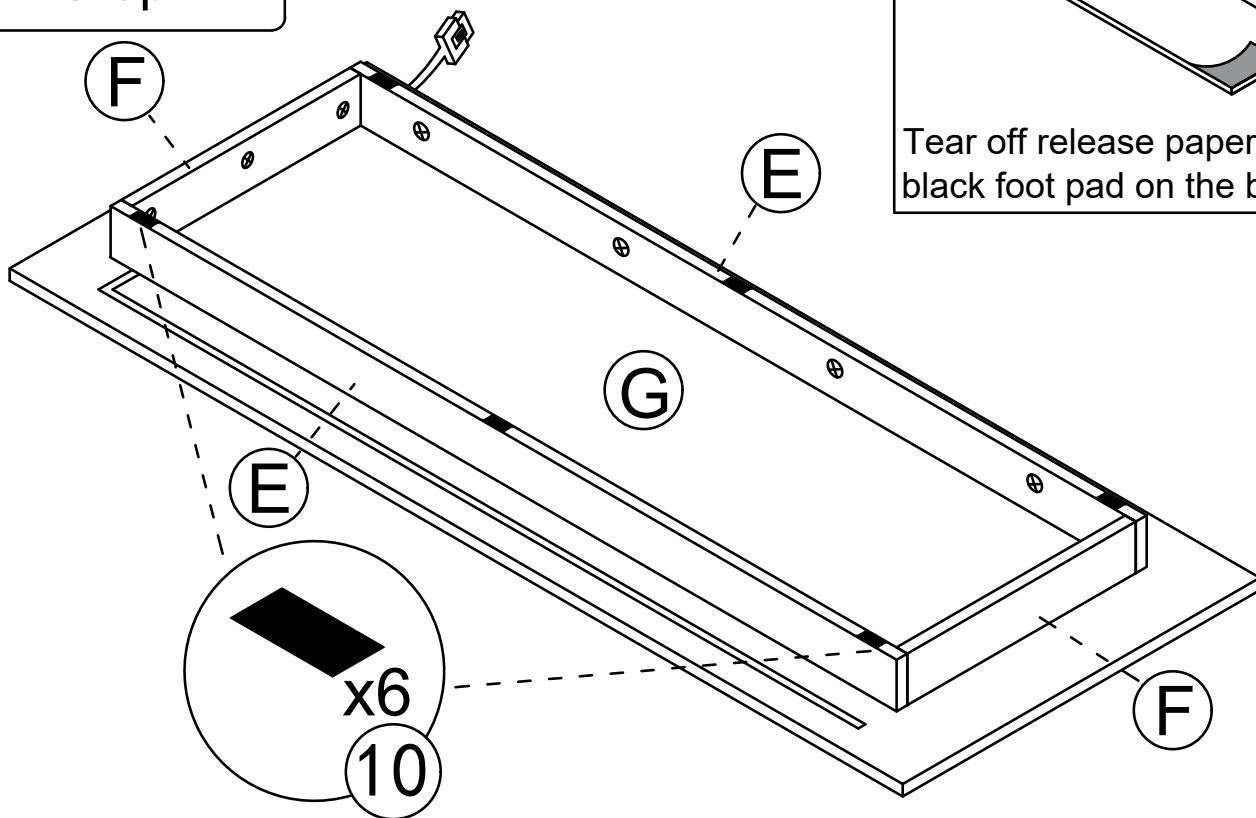
2



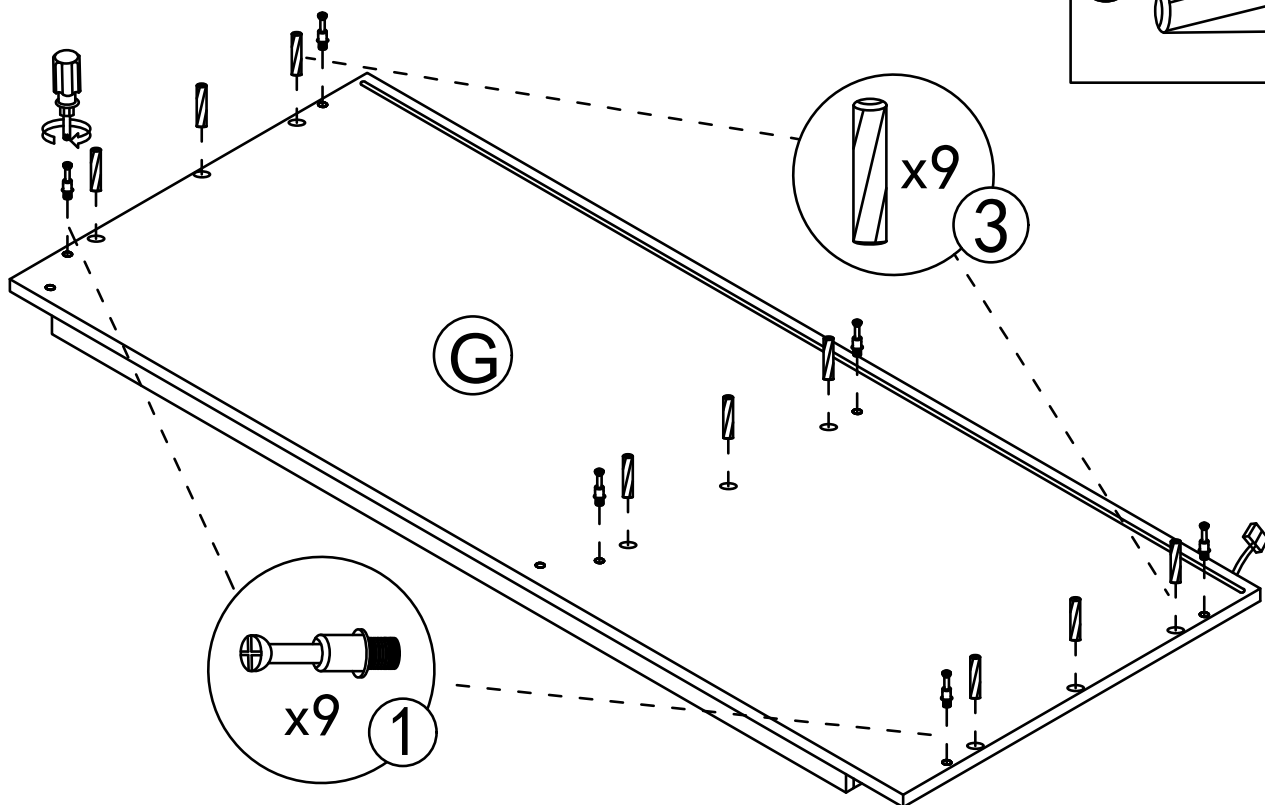
x12



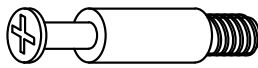
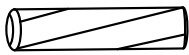
# Step 11

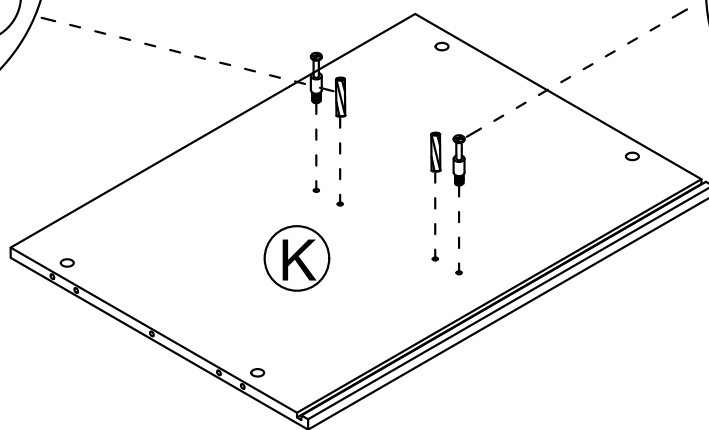
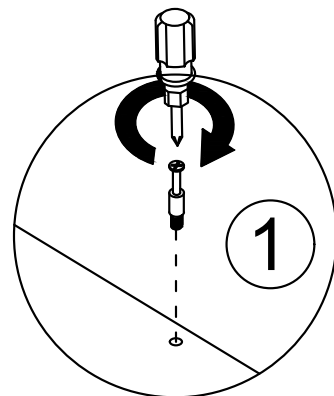
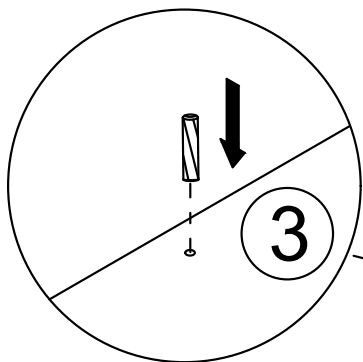


# Step 12



# Step 13

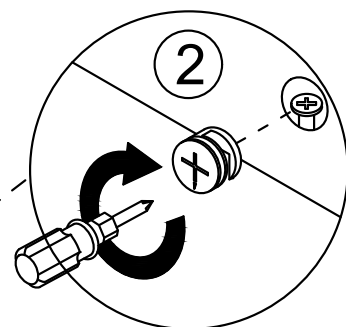
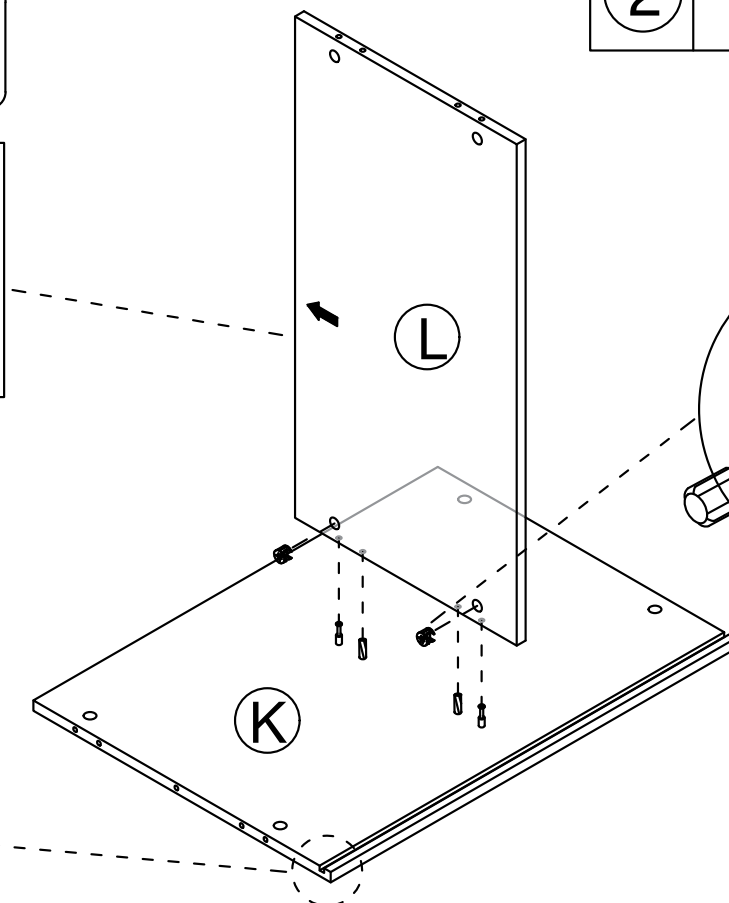
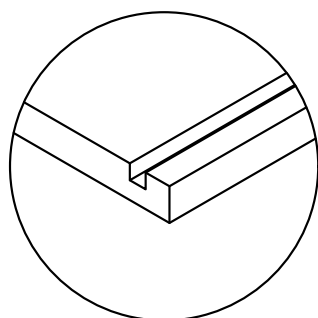
- ①  x 2
- ③  x 2



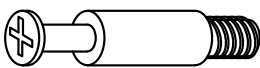
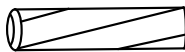
# Step 14

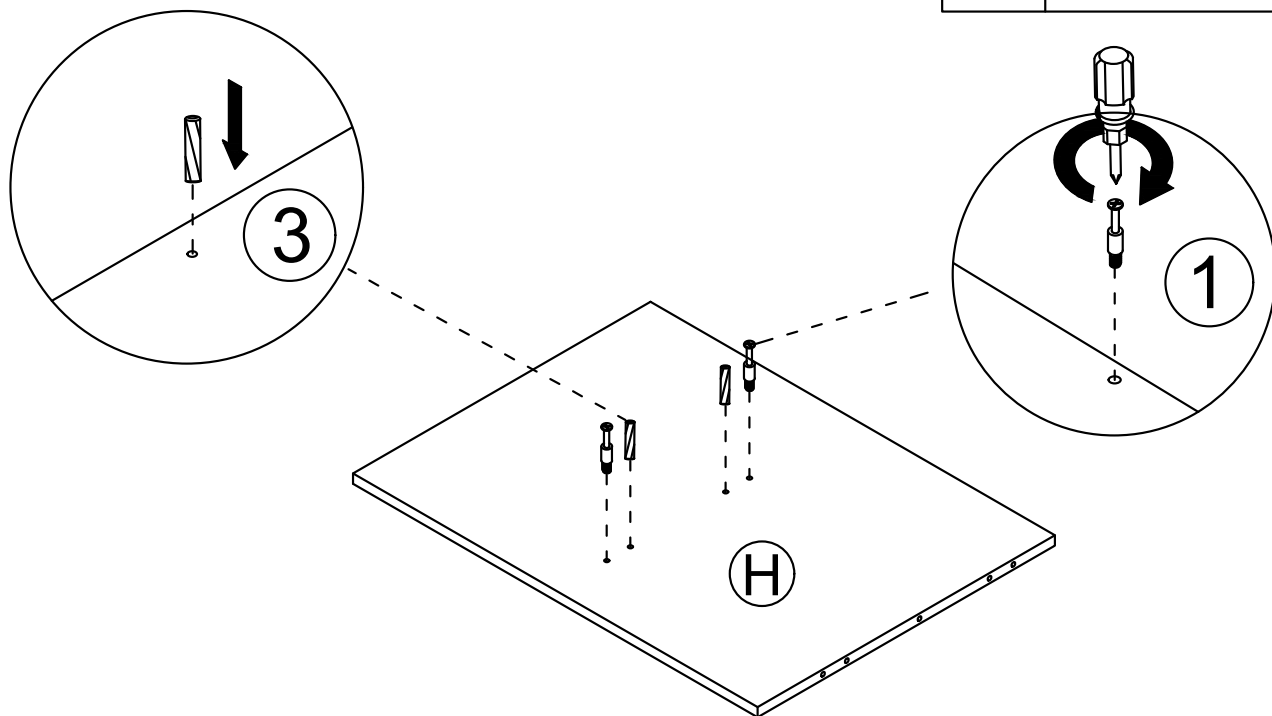
Please press the arrow direction to install, otherwise the installation will not be successful.

- ②  x 2



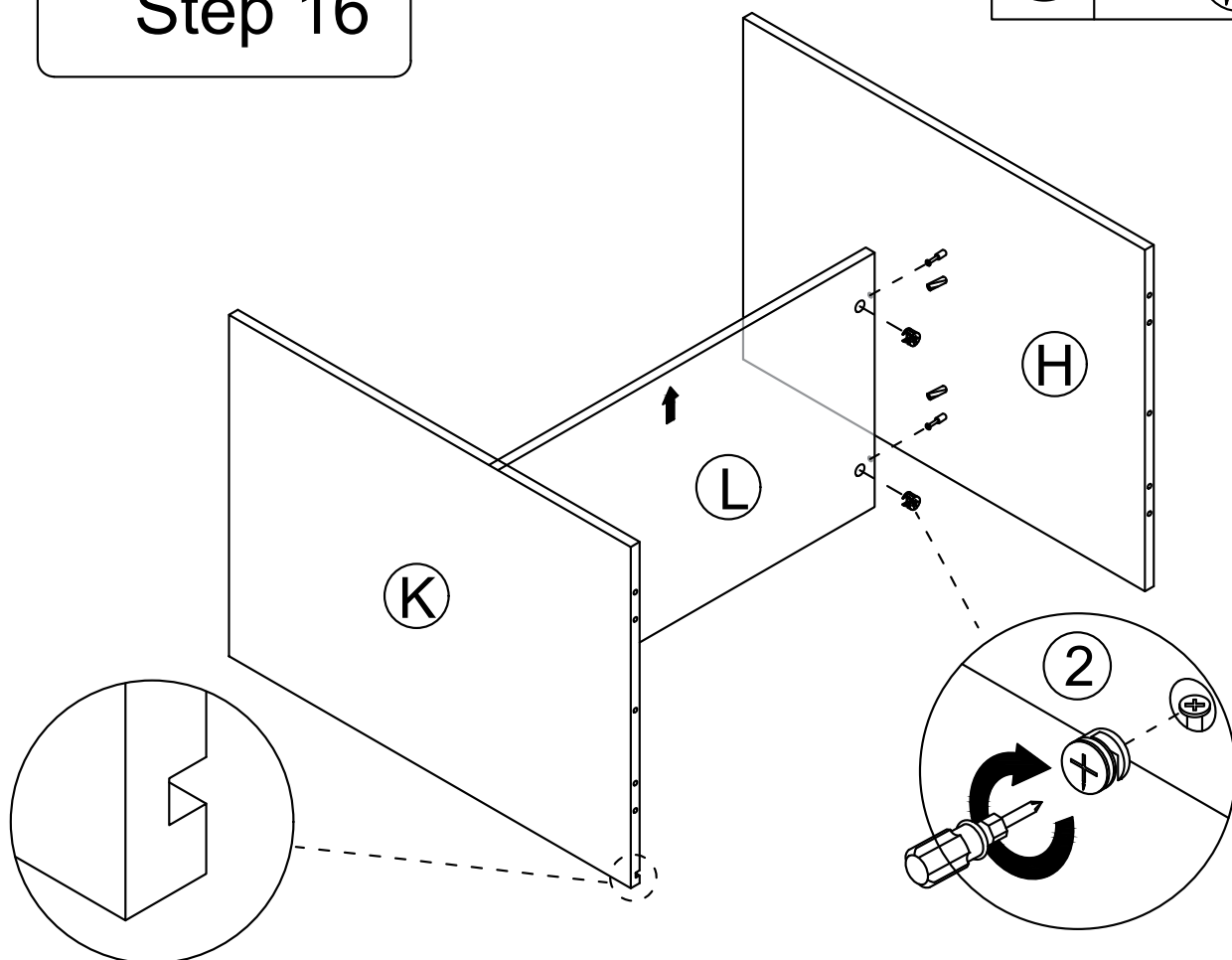
# Step 15

- |   |   |
|---|---|
| 1 |  x 2  |
| 3 |  x 2 |

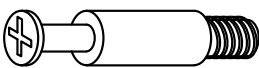



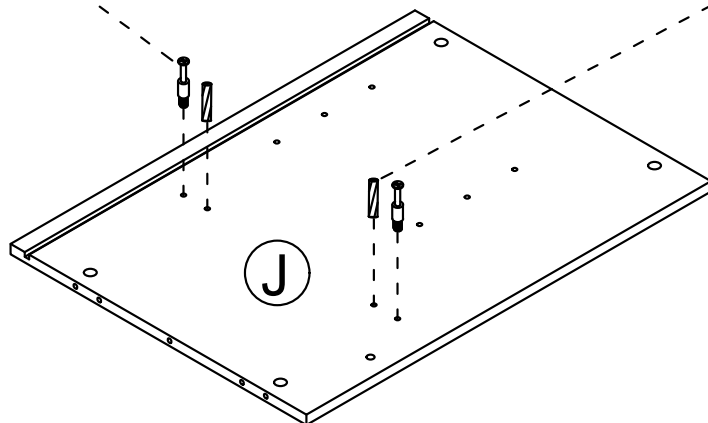
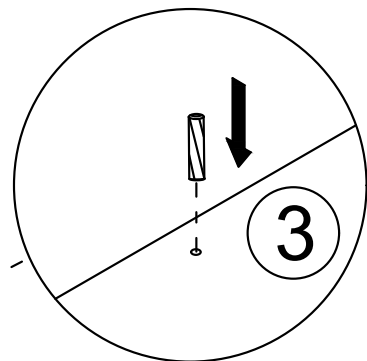
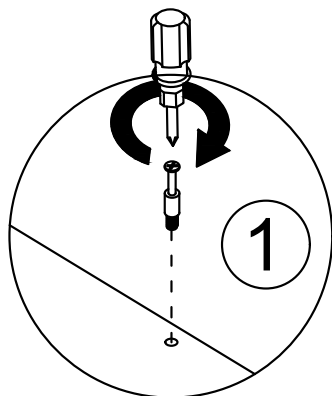
# Step 16

- |   |   |
|---|---|
| 2 |  x 2 |
|---|---|



# Step 17

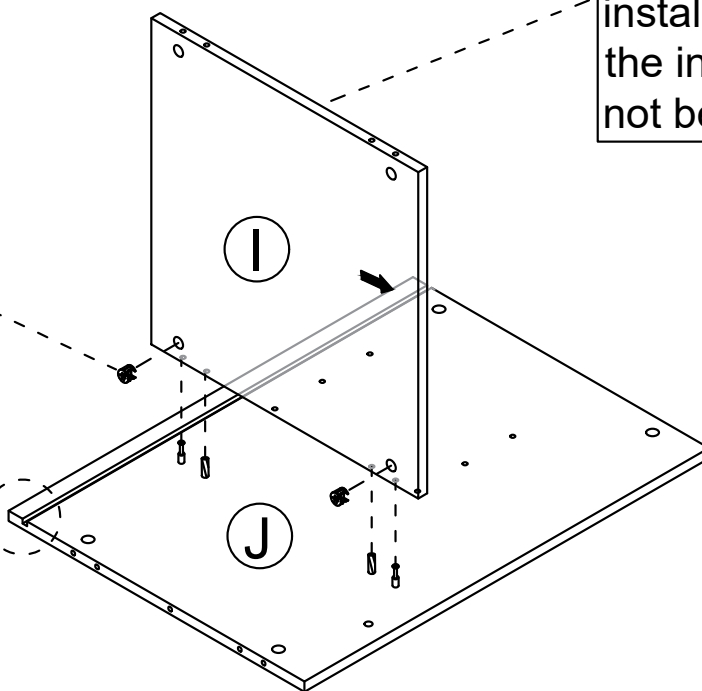
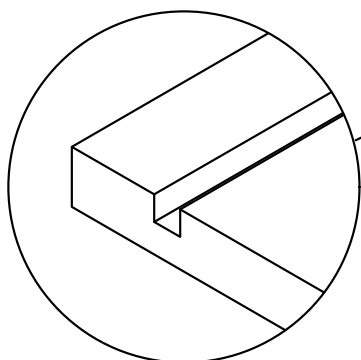
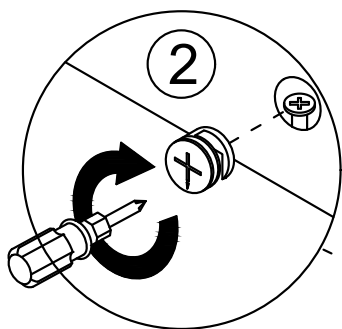
- |   |   |
|---|---|
| 1 |  x 2  |
| 3 |  x 2 |



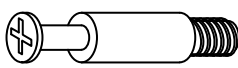
# Step 18

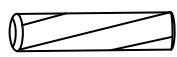
- |   |   |
|---|---|
| 2 |  x 2 |
|---|---|

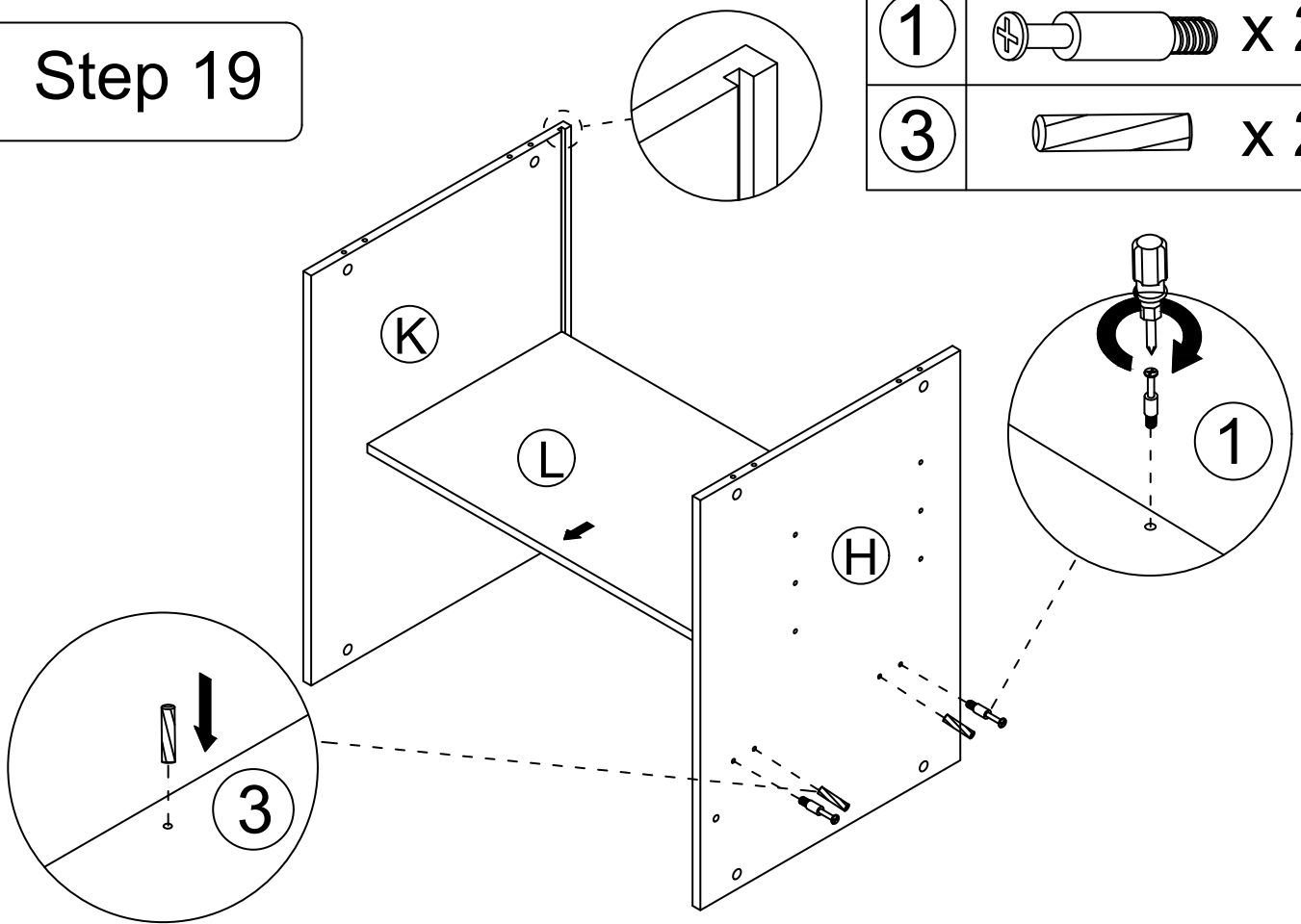
Please press the arrow direction to install, otherwise the installation will not be successful.



# Step 19

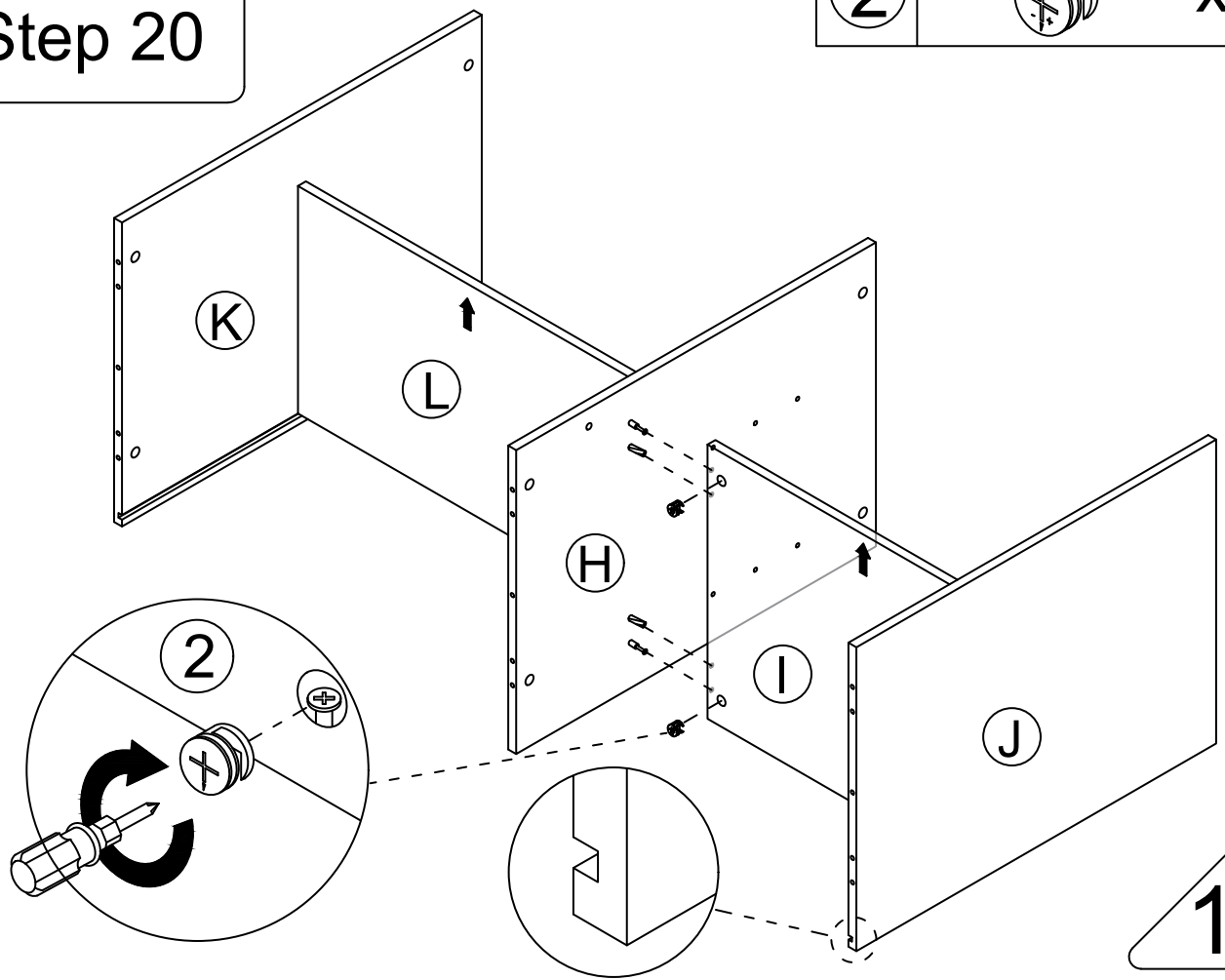
①  x 2

③  x 2



# Step 20

②  x 2

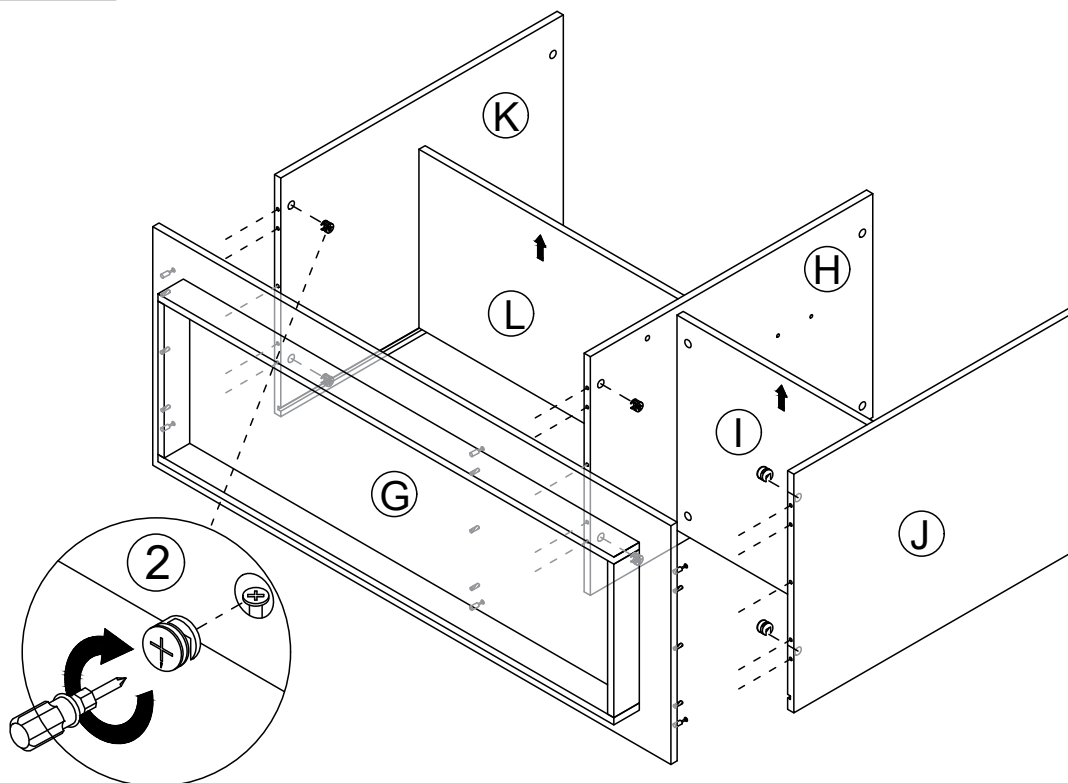


# Step 21

2



x 6

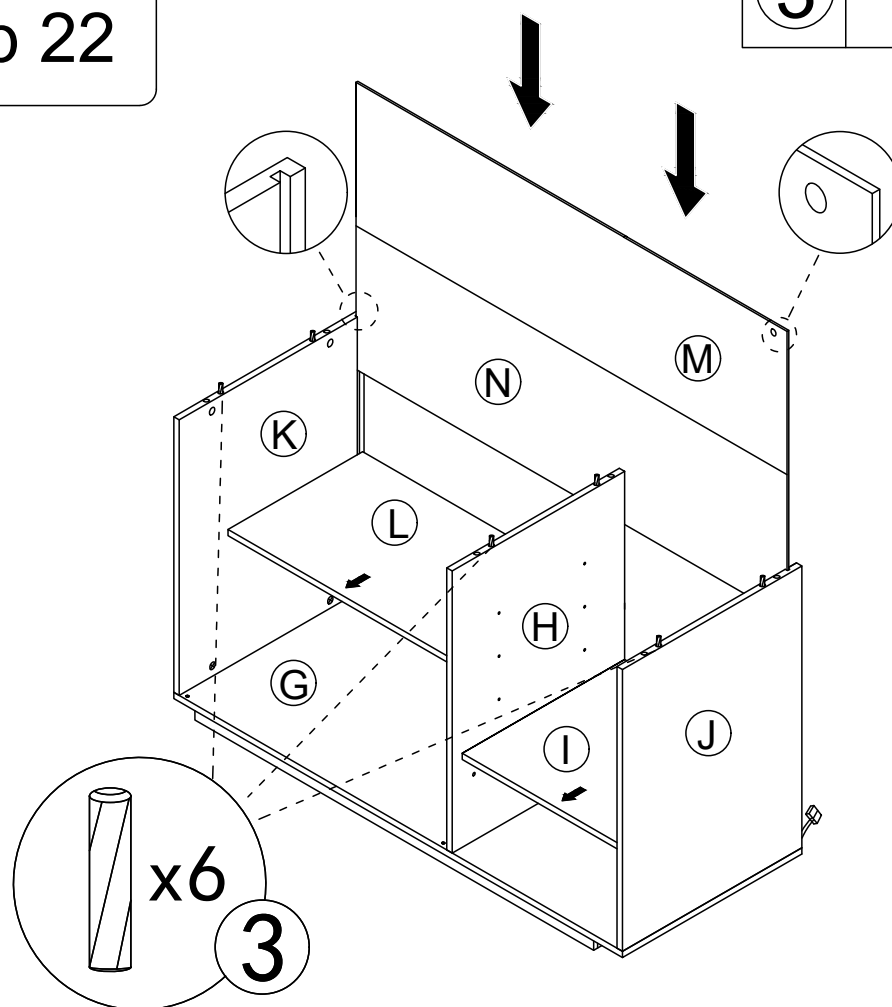


# Step 22

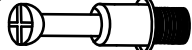


3

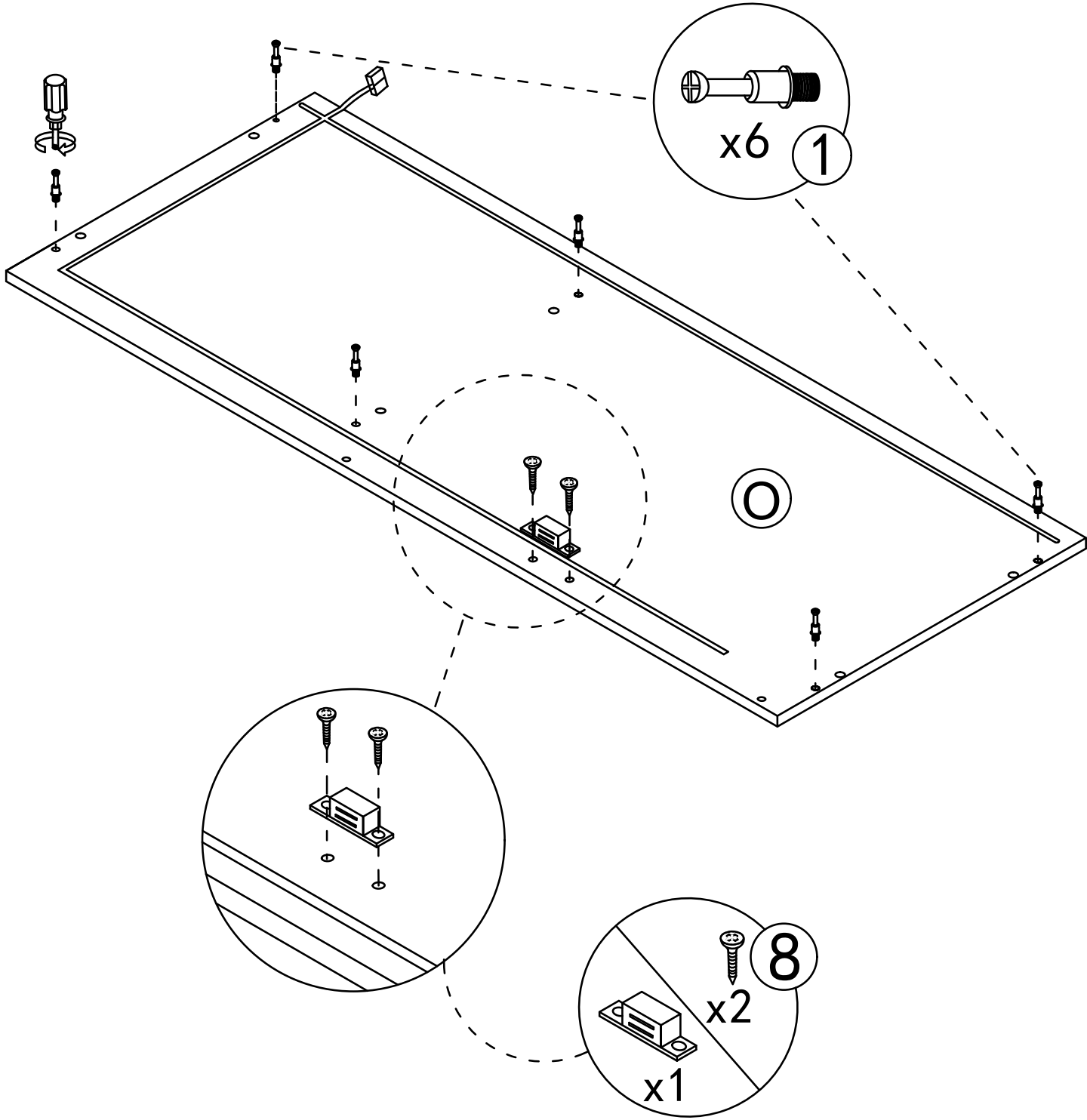


x 6



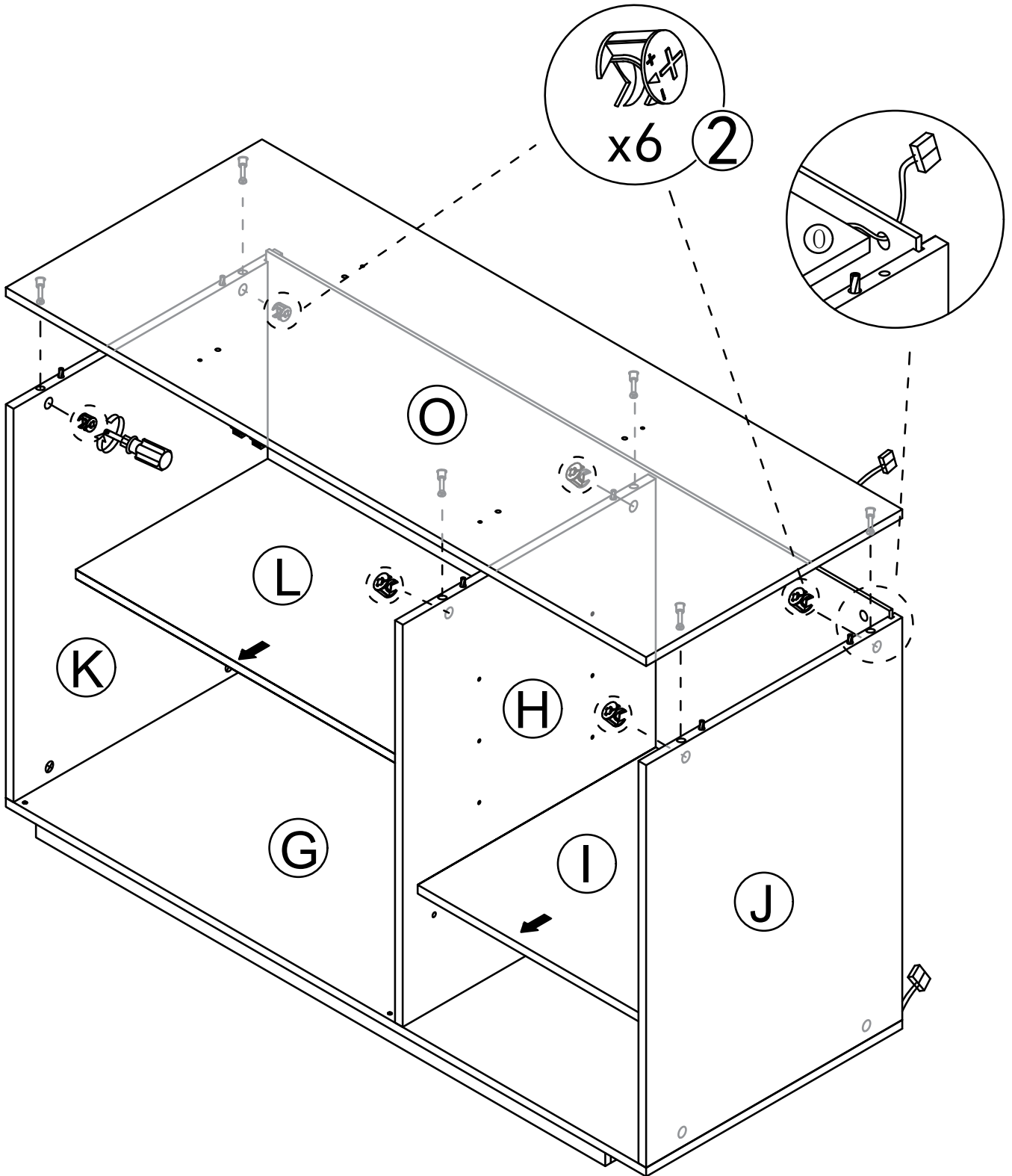
Step 23

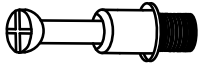
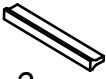



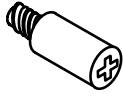
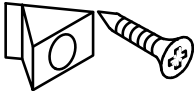
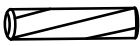


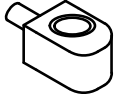



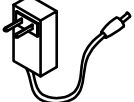
- ①  x6
- ⑧  x1  x2

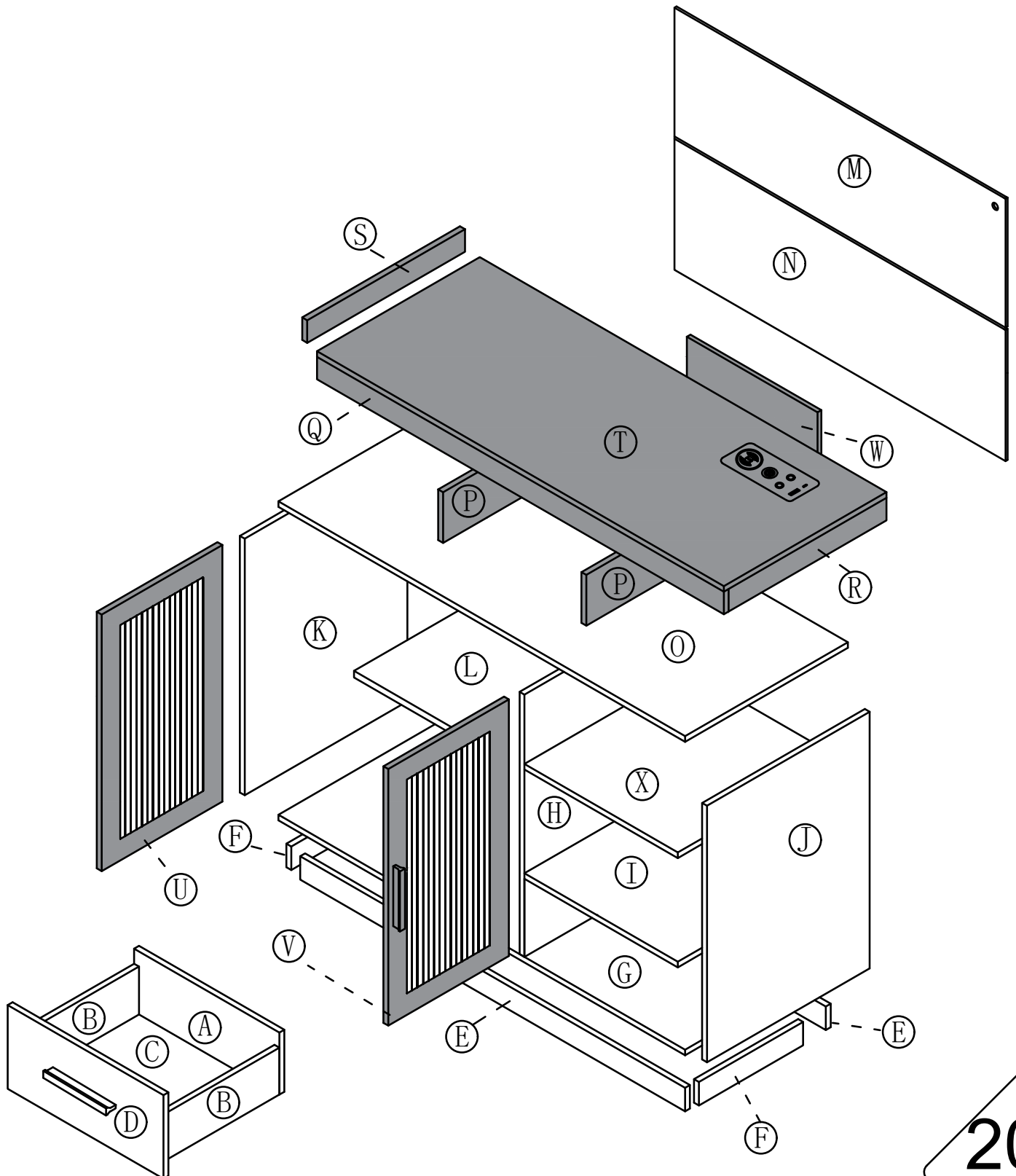


Step 24

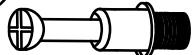
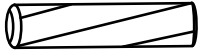
②  x6

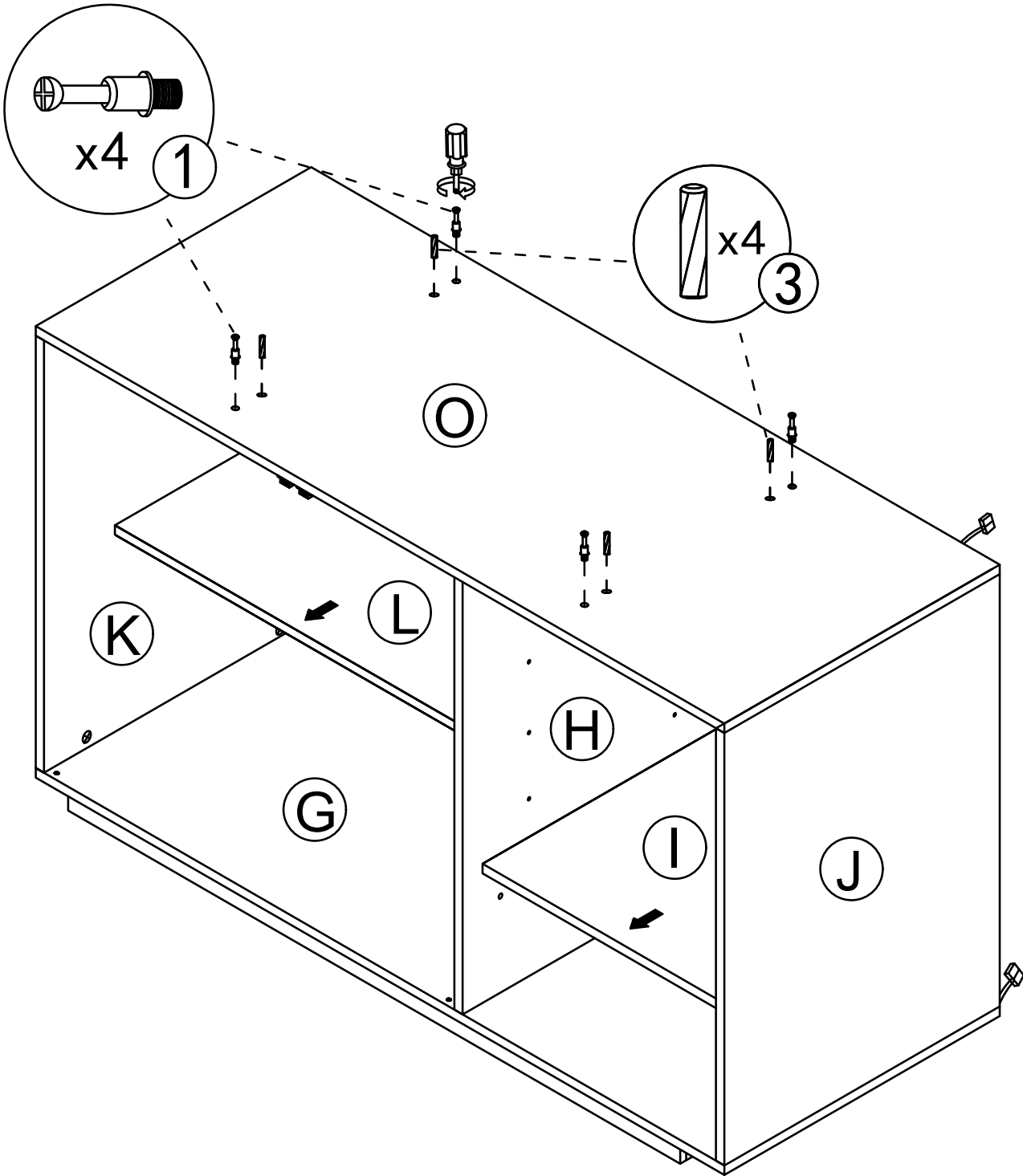


①		22pcs	④		2pcs		4pcs	⑨		1pcs
②		22pcs	⑤		2pcs	⑪		10pcs		
③		8pcs	⑥		8pcs		4pcs	⑫		4pcs
⑬		2pcs	⑭		2pcs		2pcs	⑦		1pcs

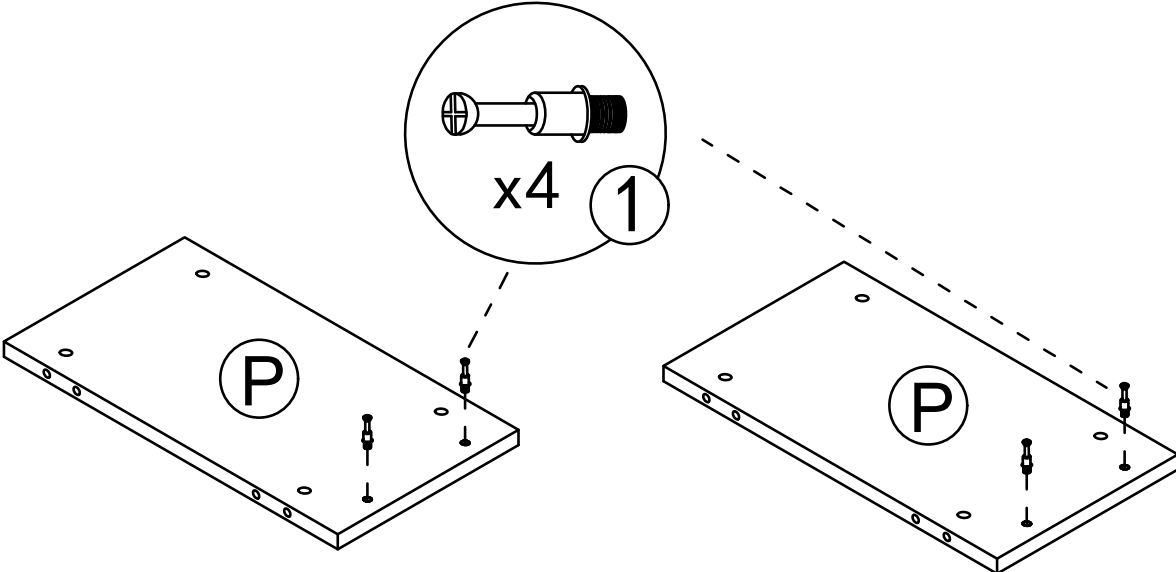
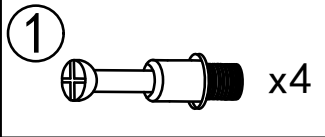


Step 25

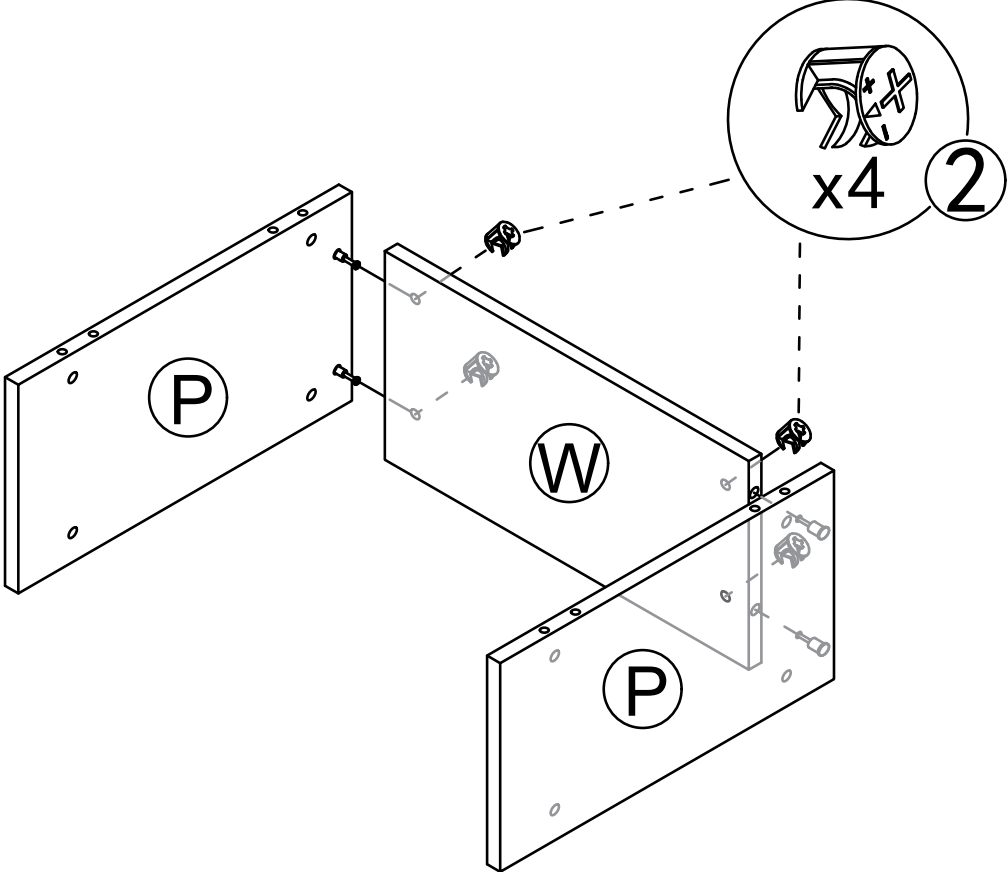
- ①  x4
- ③  x4





Step 26

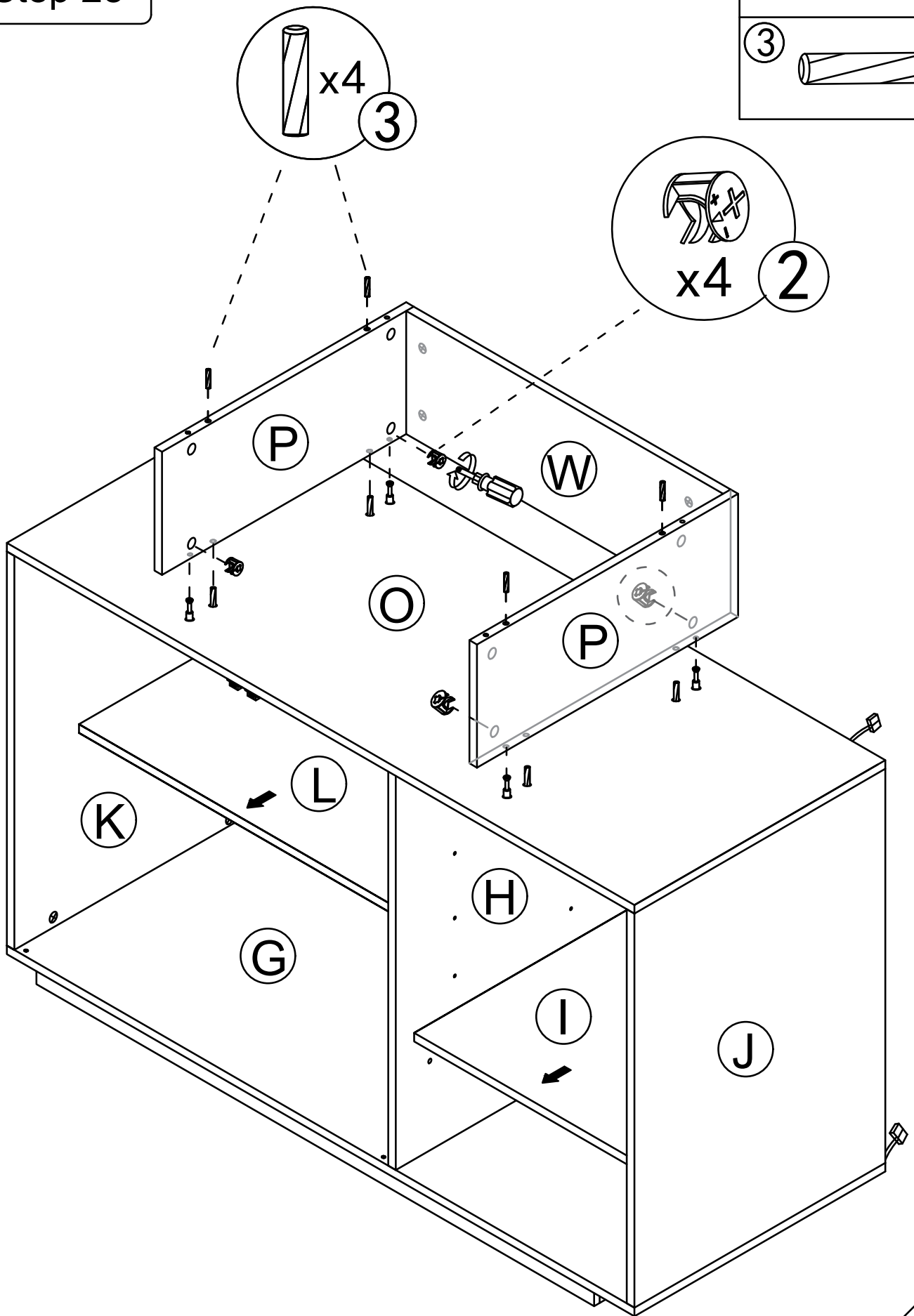


Step 27

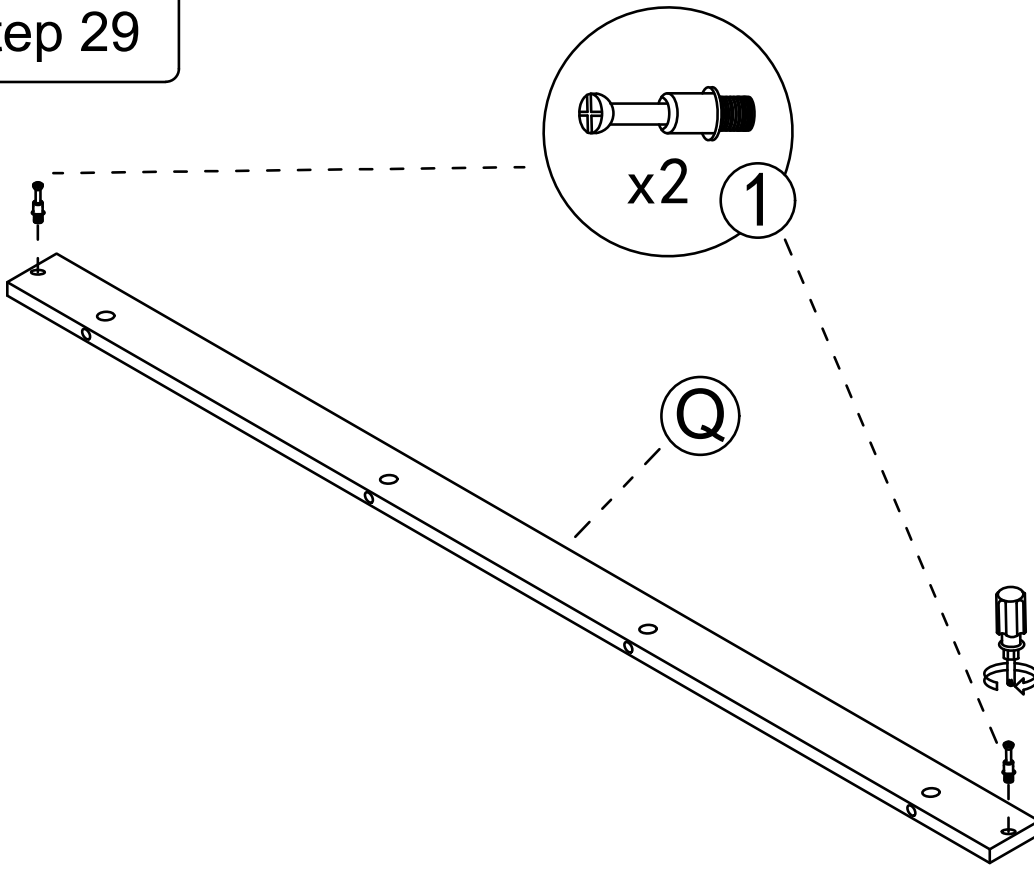
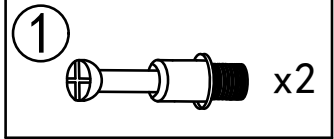


Step 28

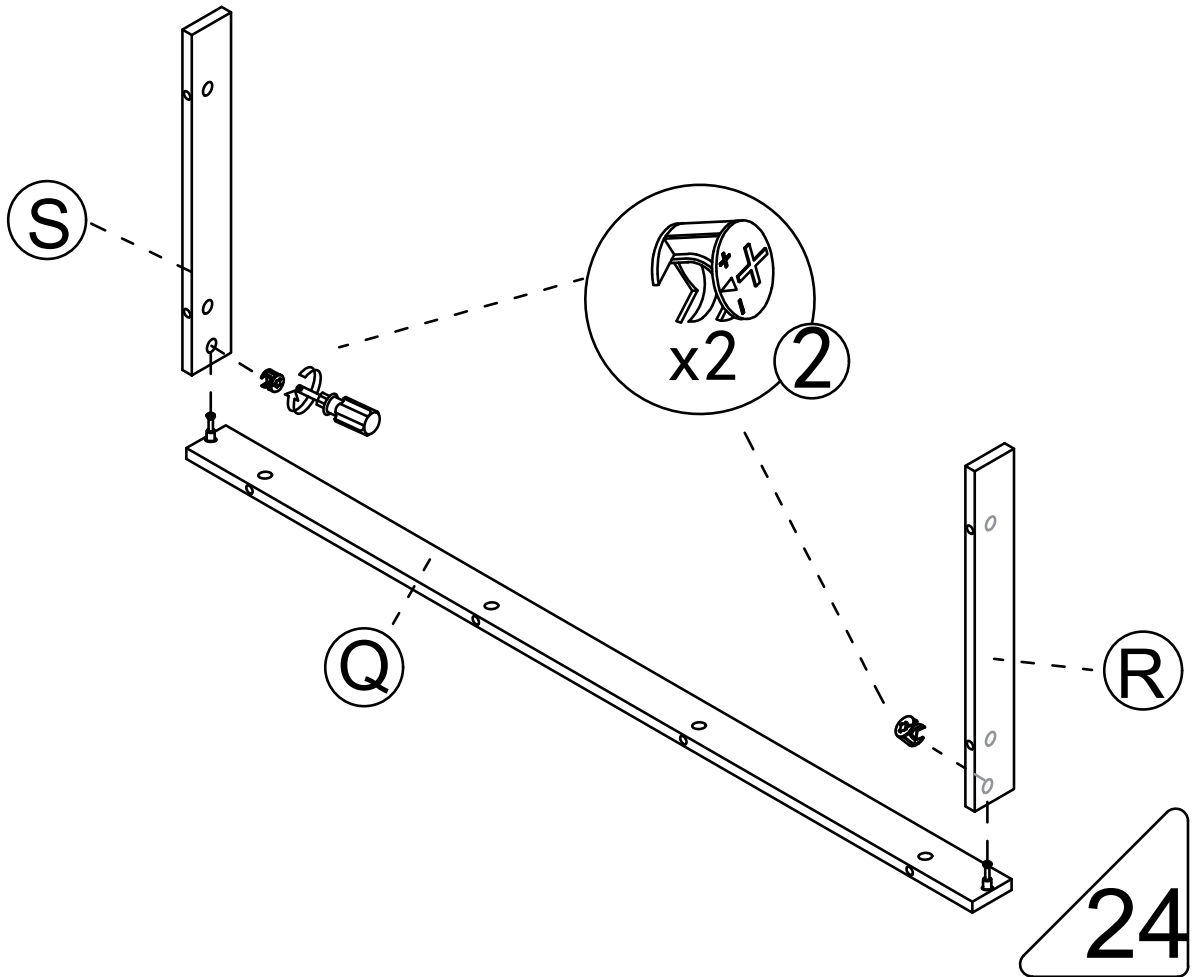
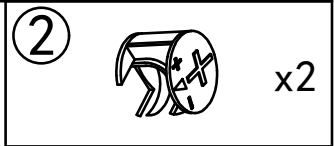
- ②  x4
- ③  x4



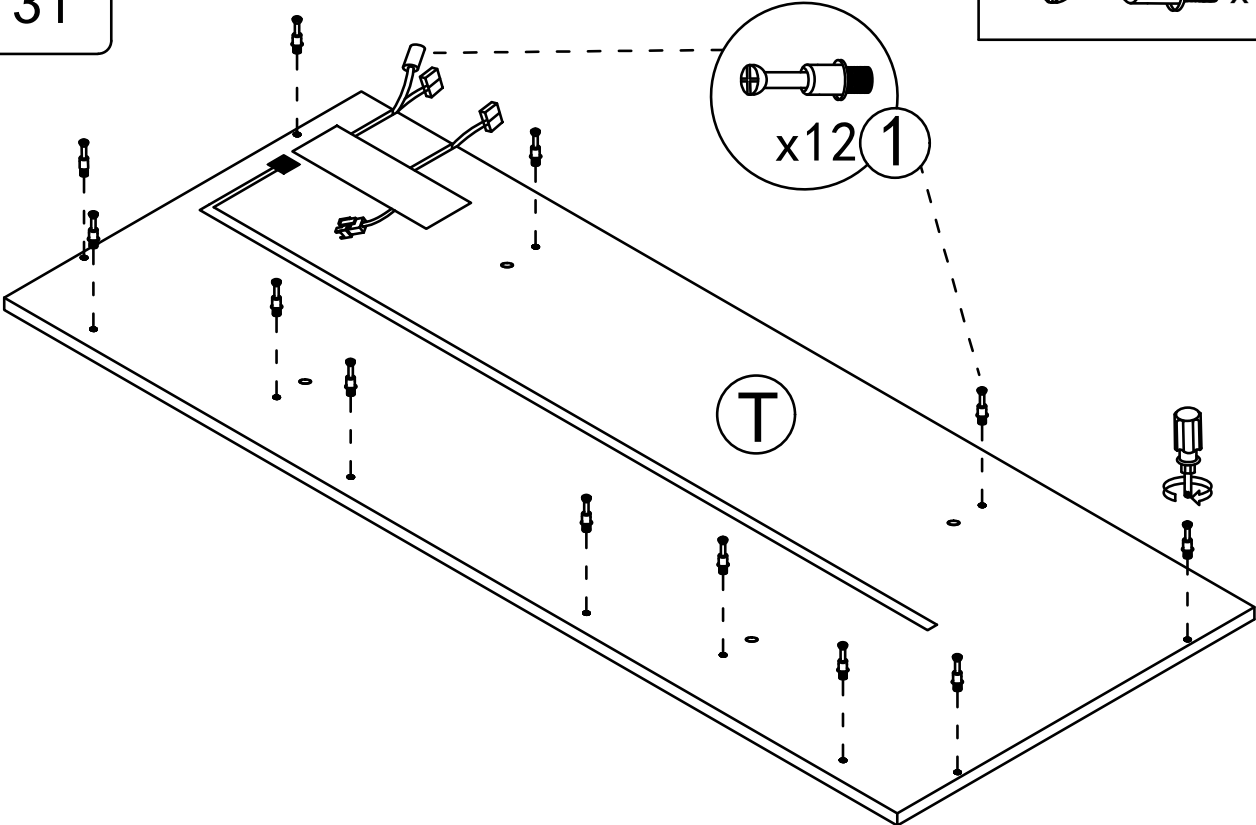
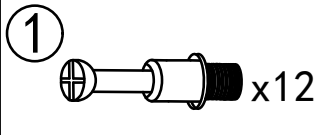
Step 29



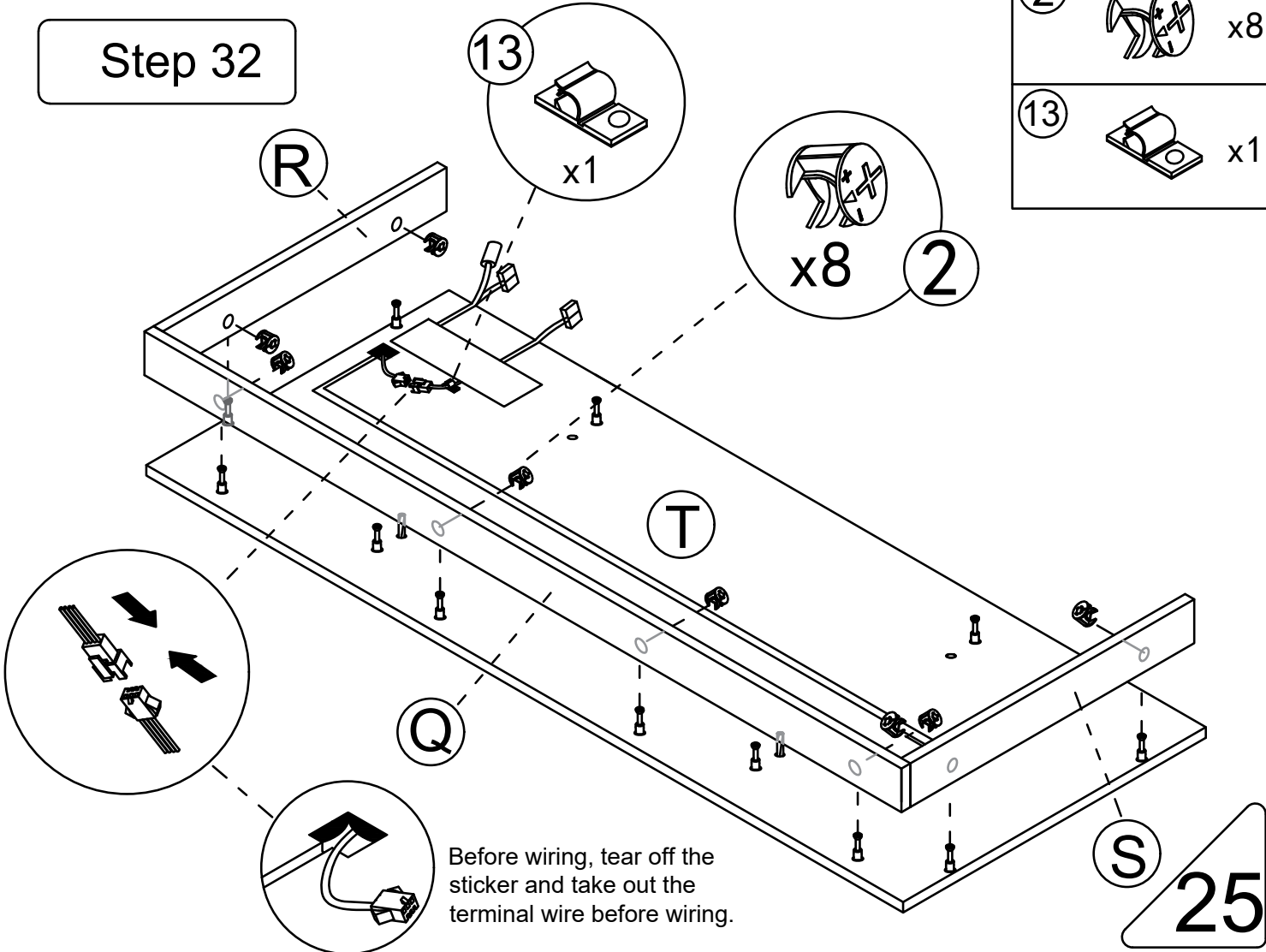
Step 30



# Step 31



# Step 32



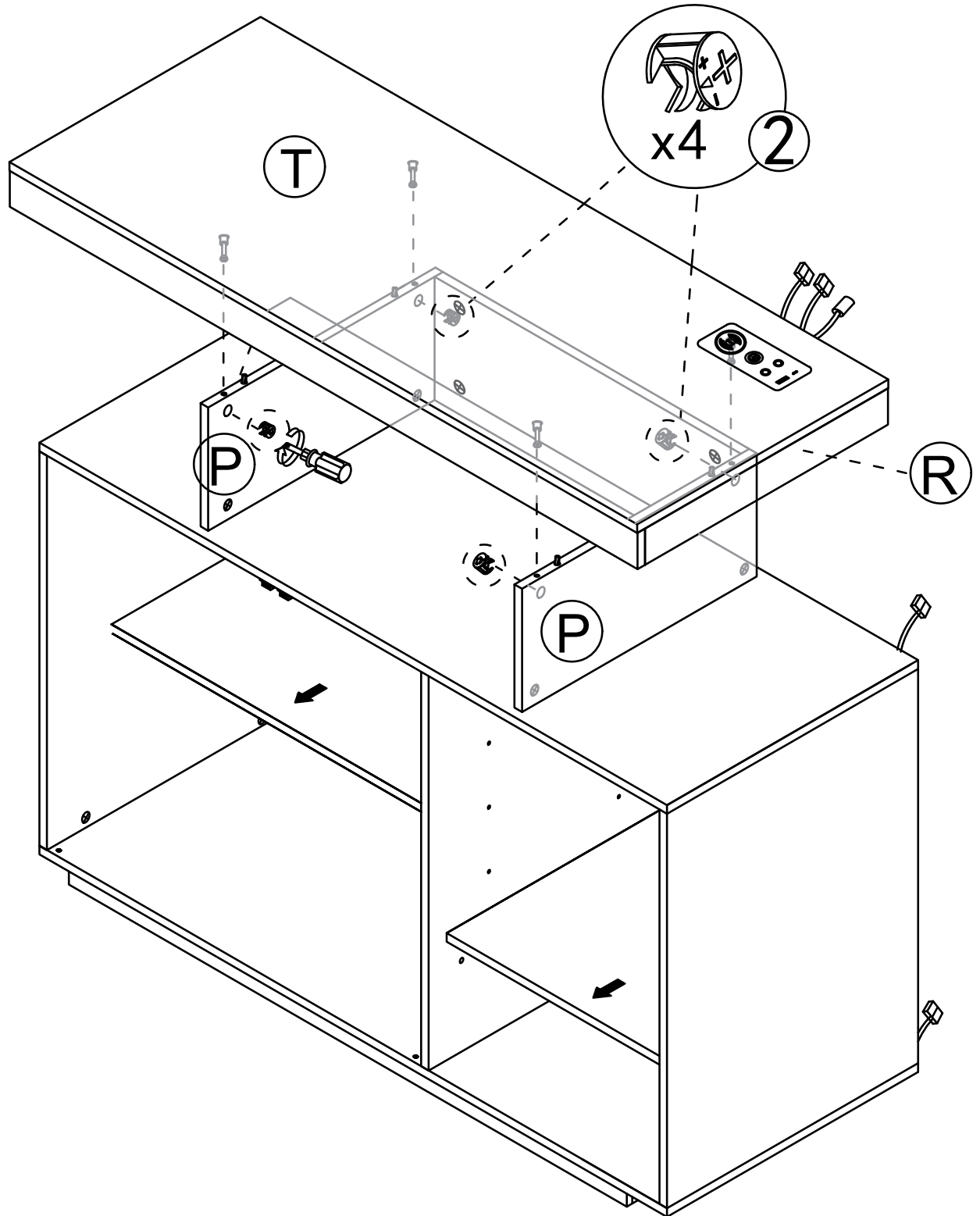
Before wiring, tear off the sticker and take out the terminal wire before wiring.

# Step 33

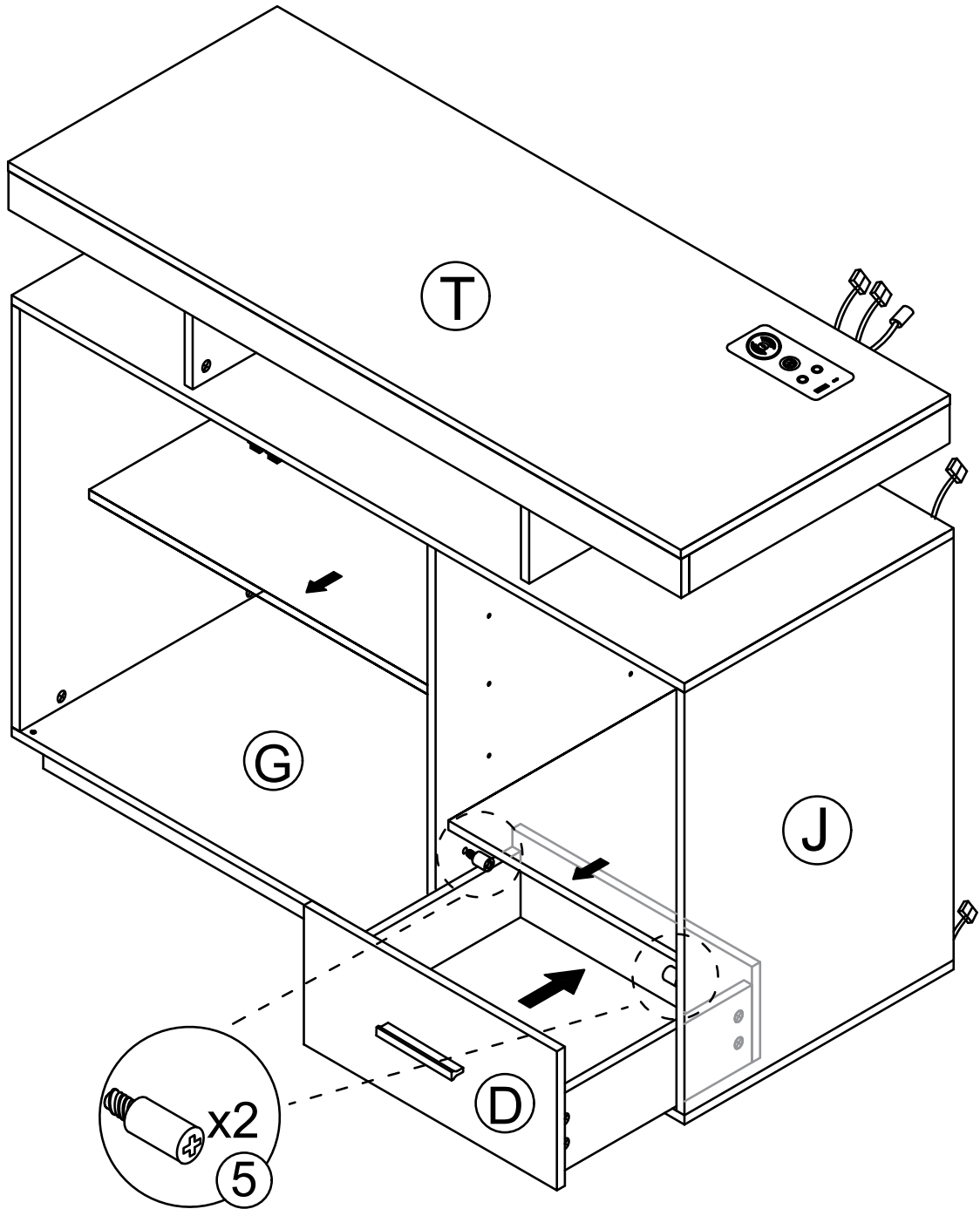
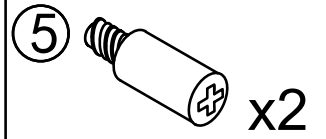
2



x4

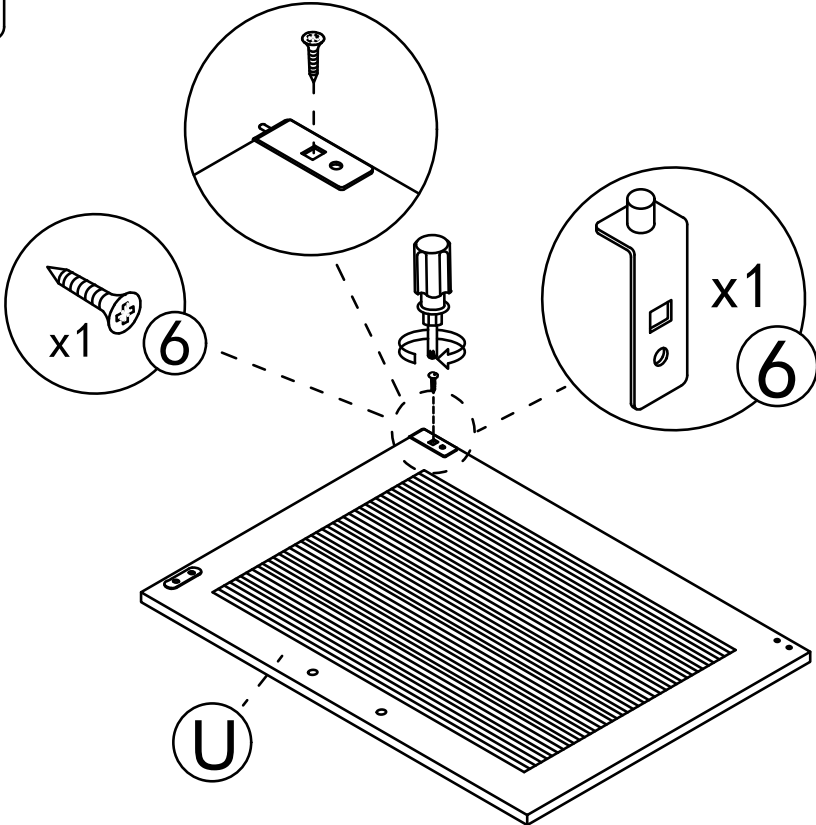


Step 34



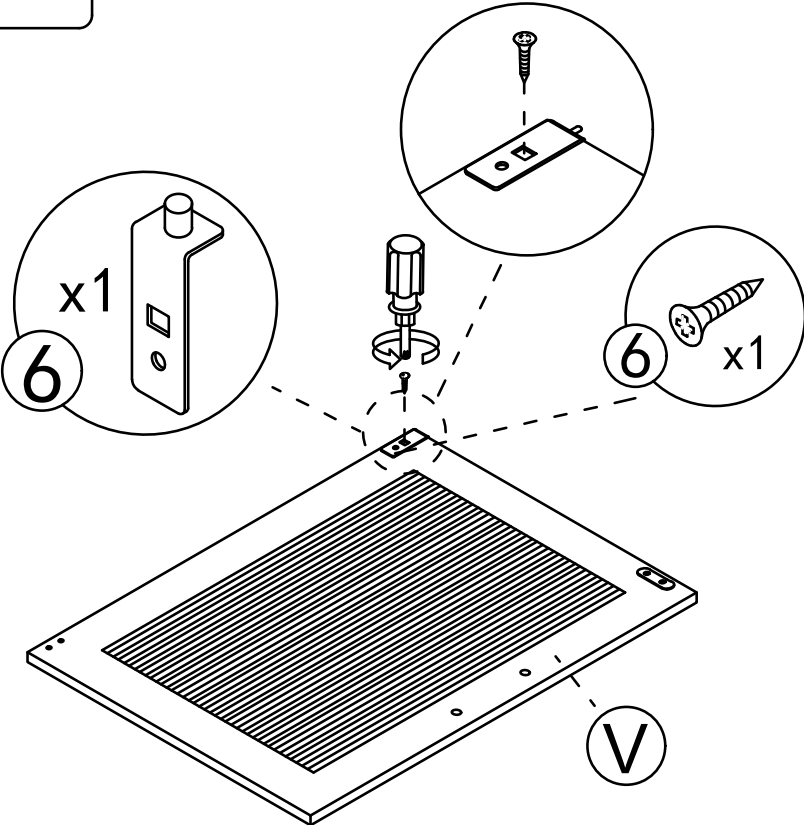
Step 35

- 6 x1
- 6 x1



Step 36

- 6 x1
- 6 x1

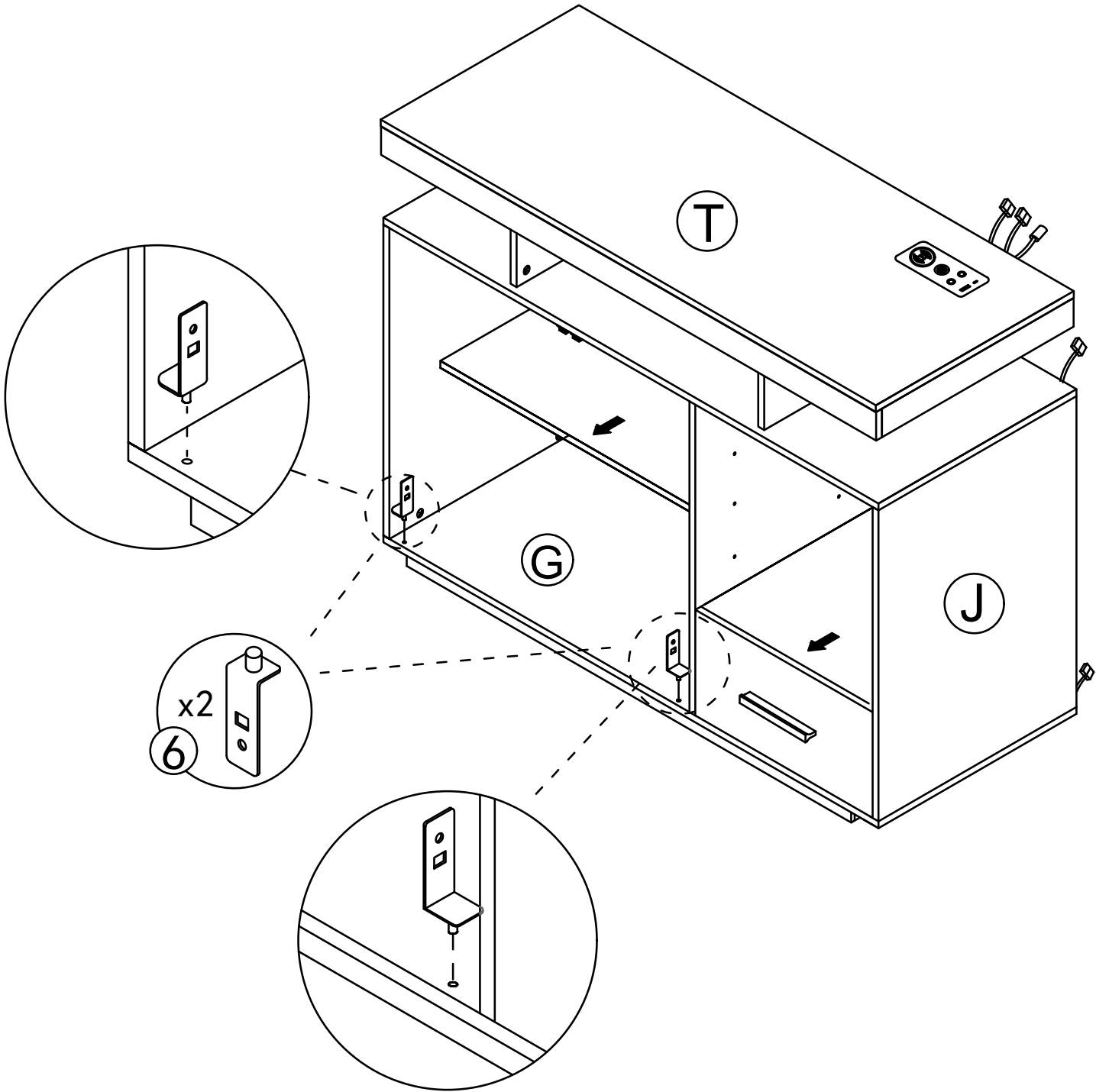


Step 37

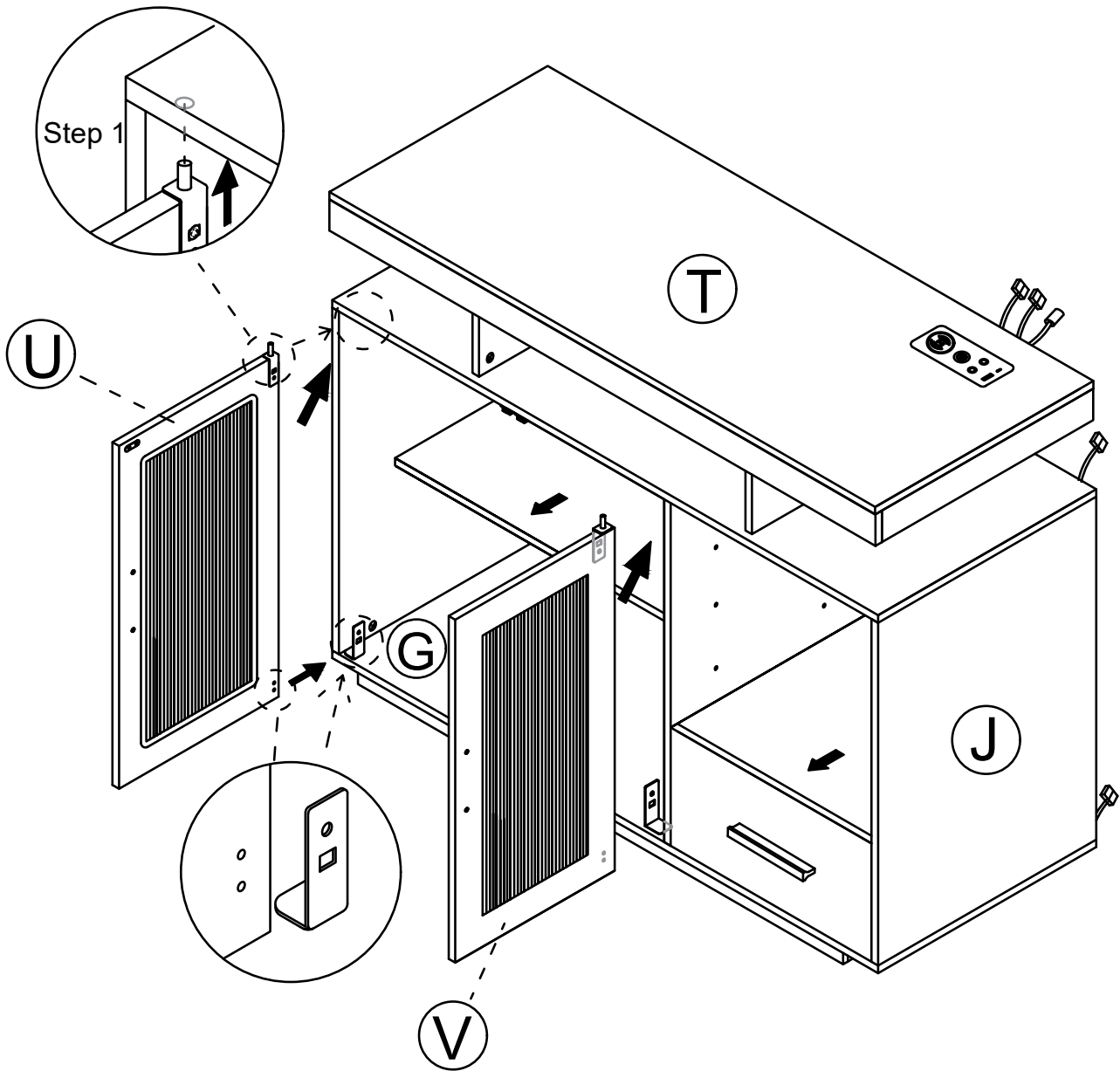
6



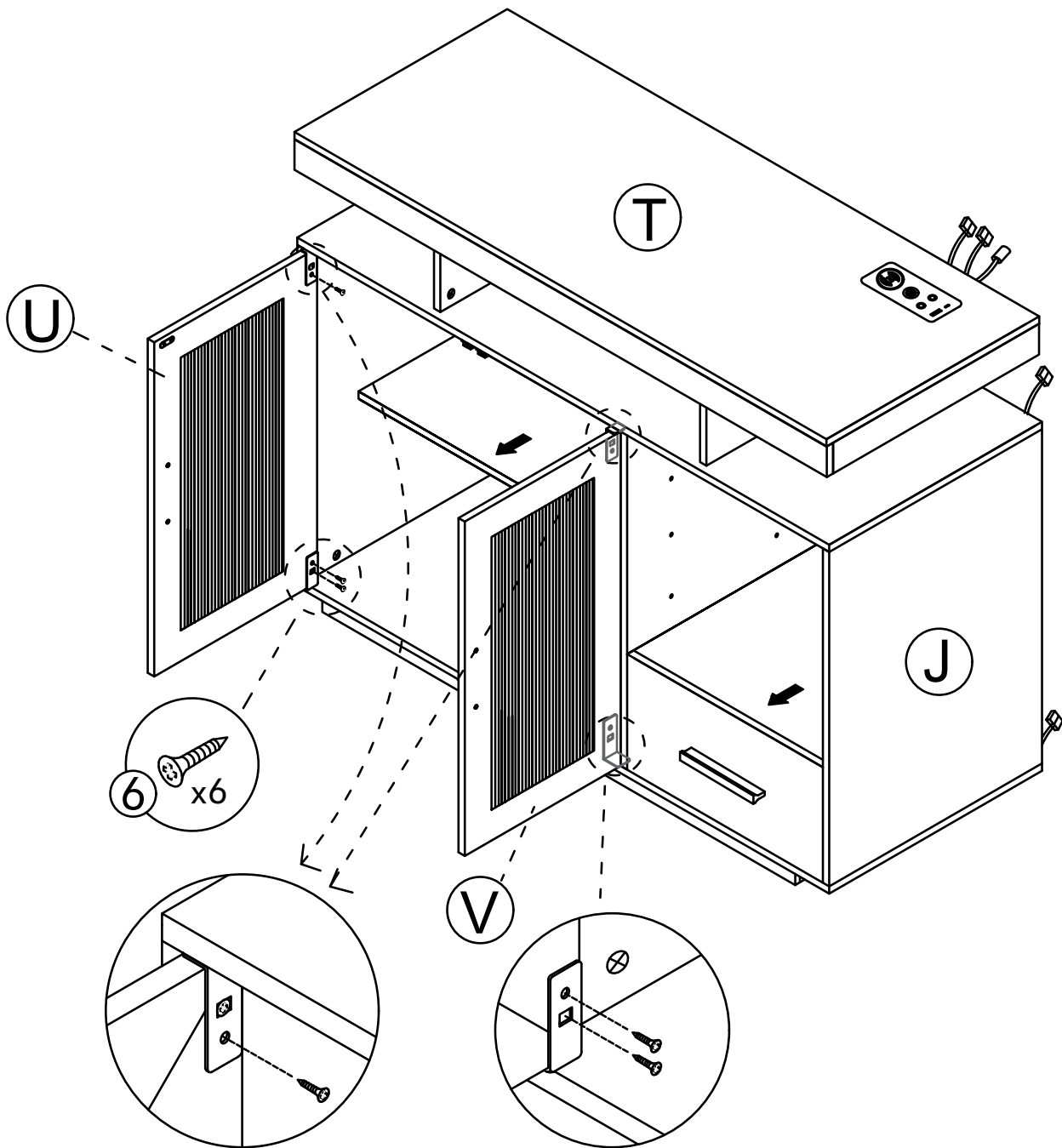
x2



Step 38




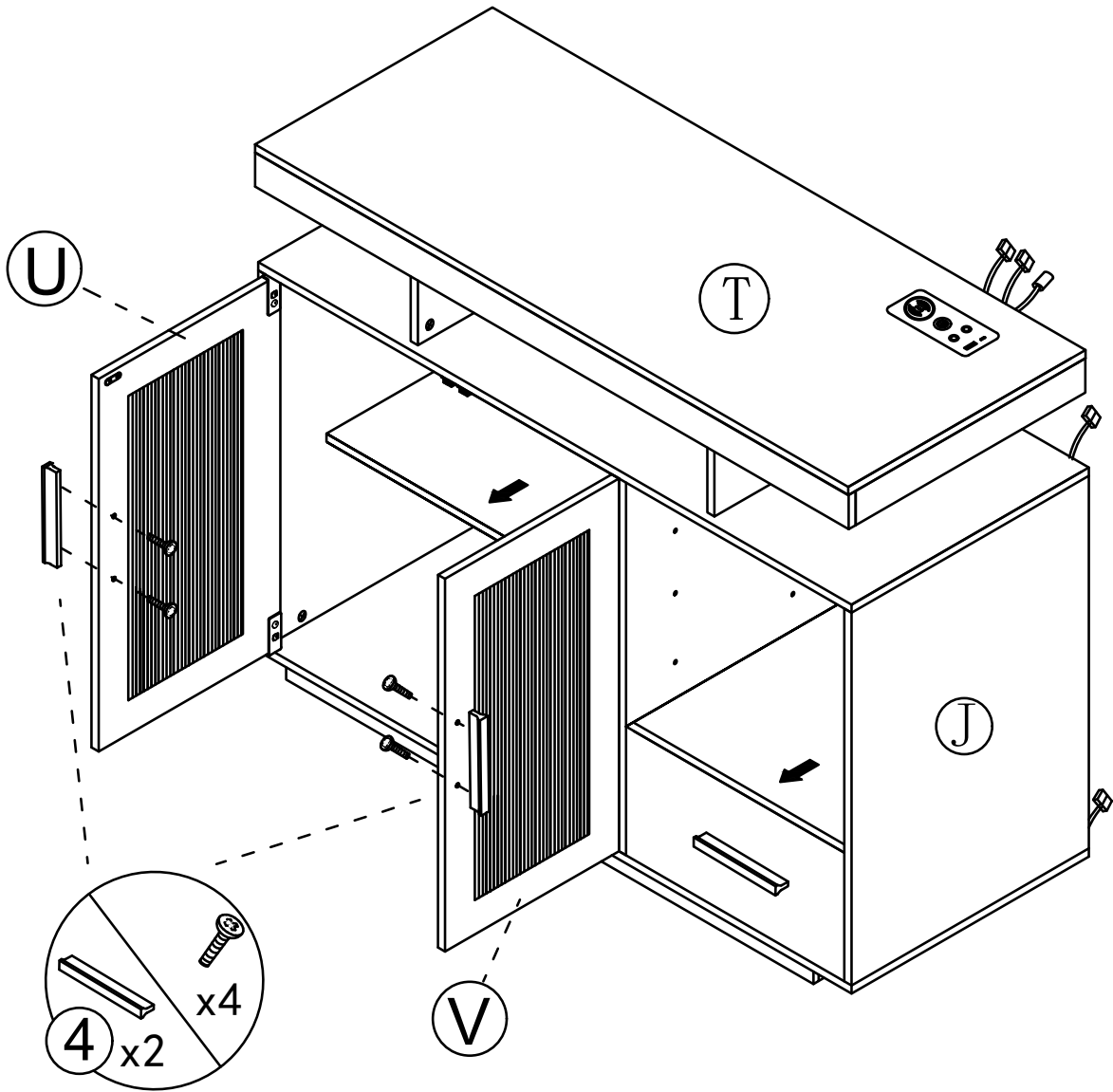
Step 39



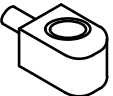
Screw in the screw through the square hole to adjust the cabinet door and then screw in the fixing screw.

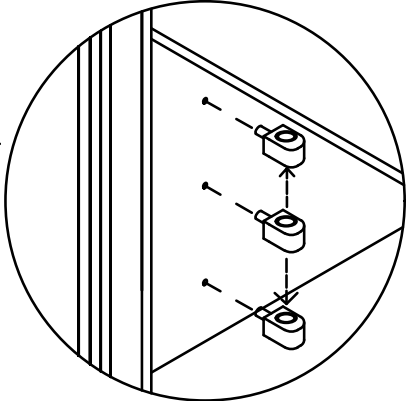
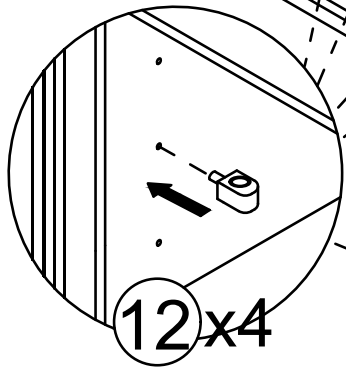
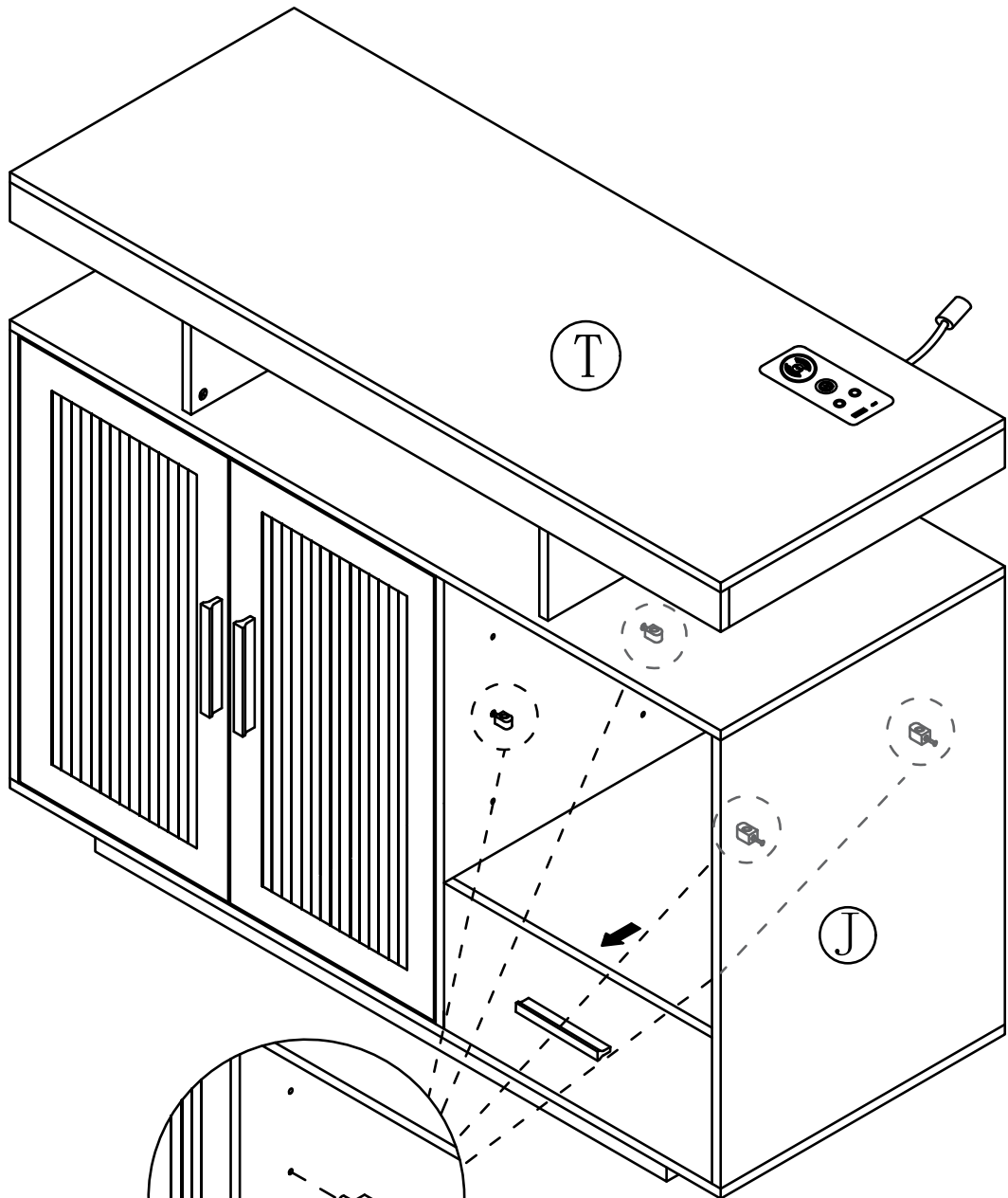
Step 40

④  x2       x4



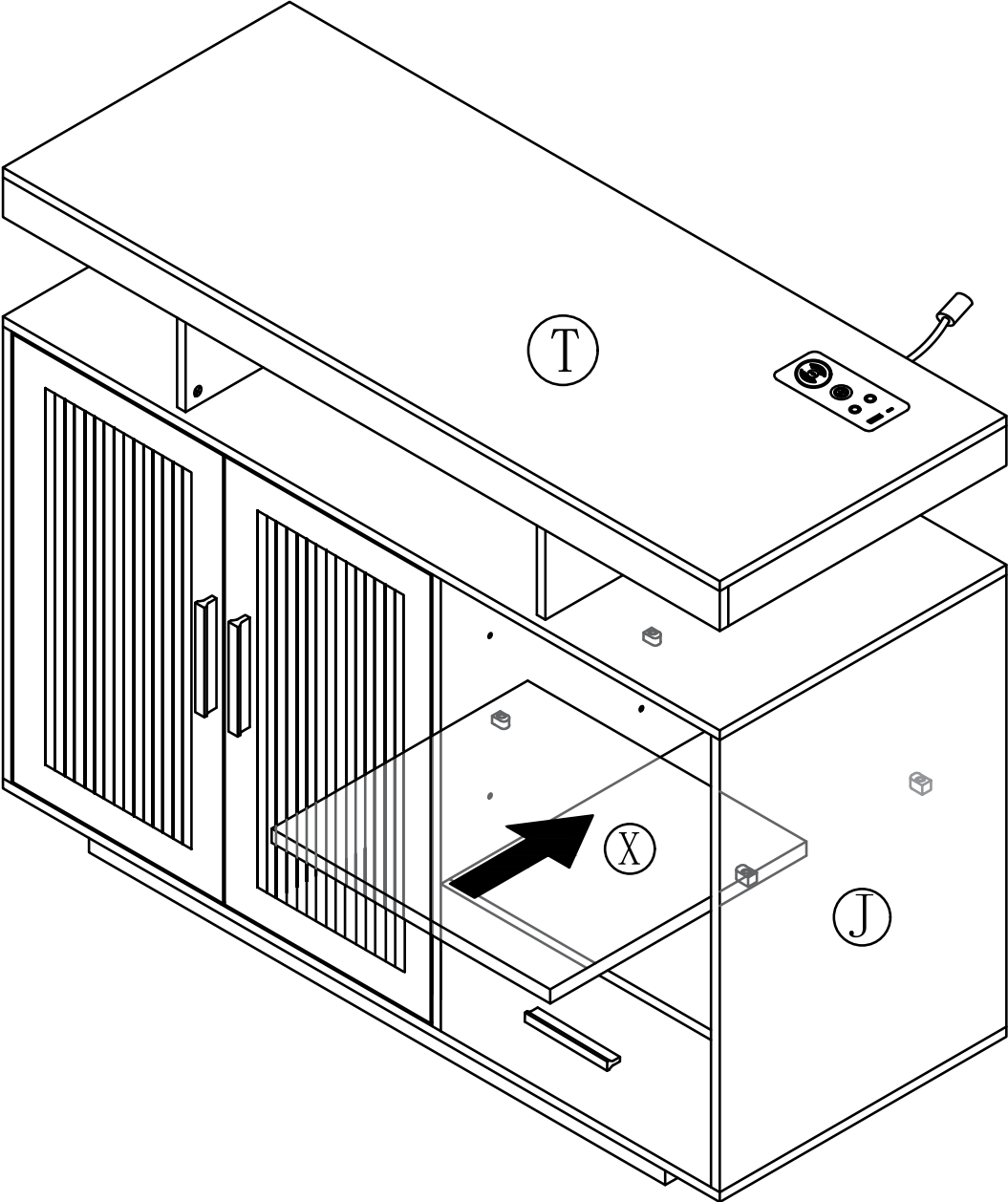
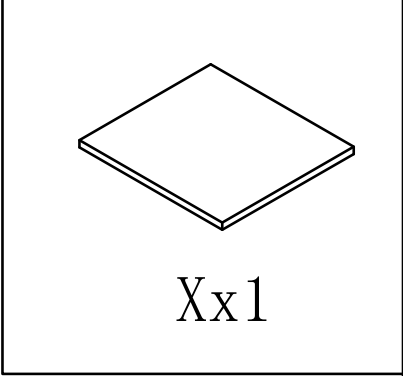
Step 41

12  x4



Control the height according to the actual situation

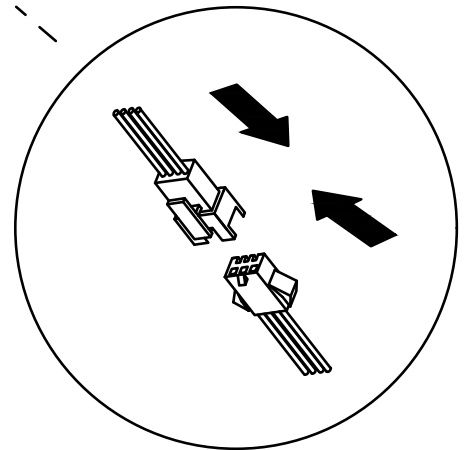
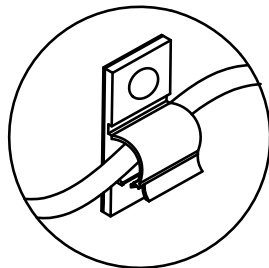
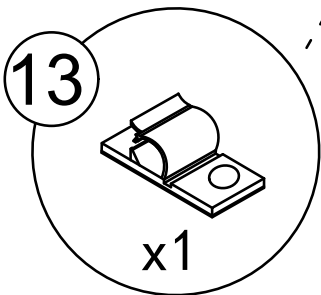
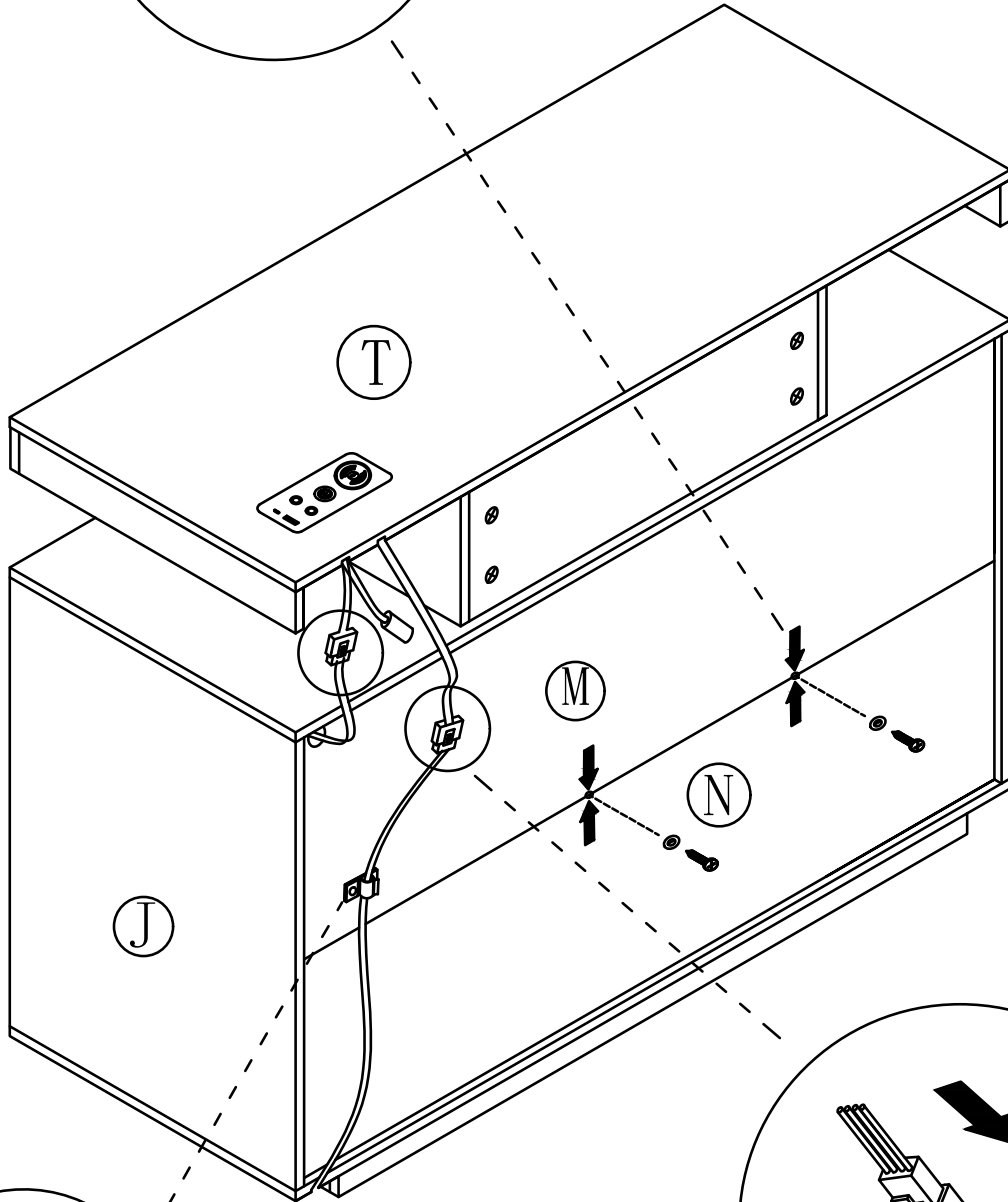
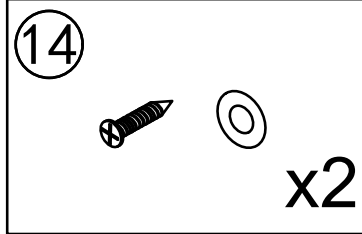
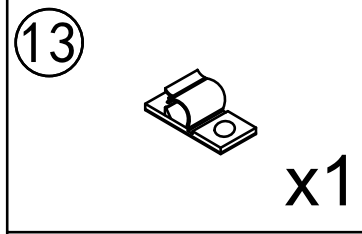
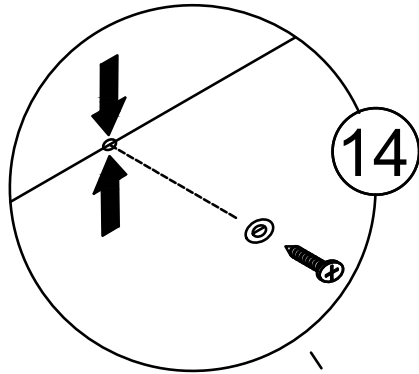
Step 42



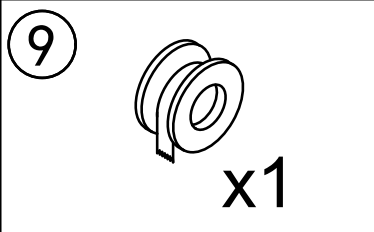
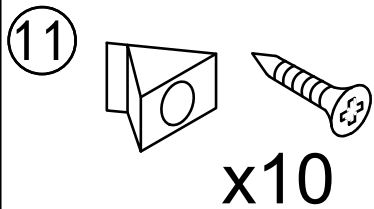
Control the height according to the actual situation

# Step 43

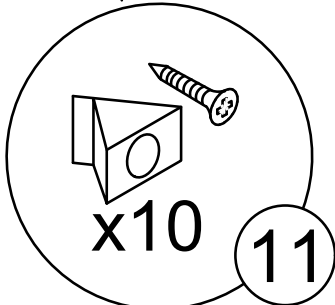
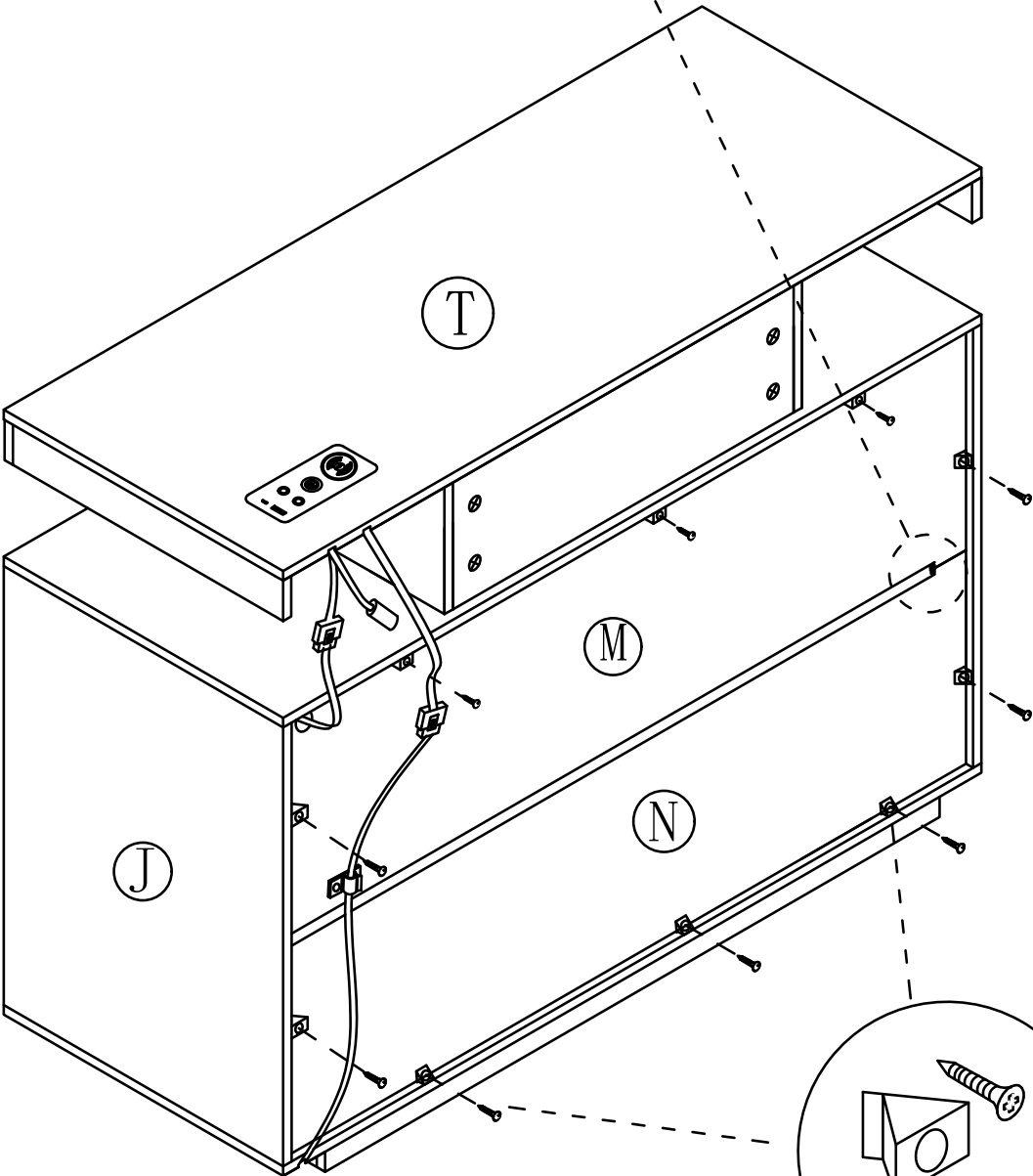
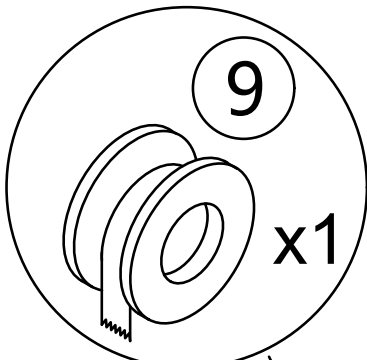
The screw should be hit on the middle plate, otherwise it will not play a fixed role.



# Step 44

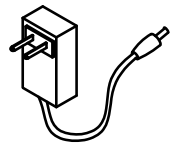


Install the sealant PVC and attach it to the gap in the back plate of the secondary cabinet



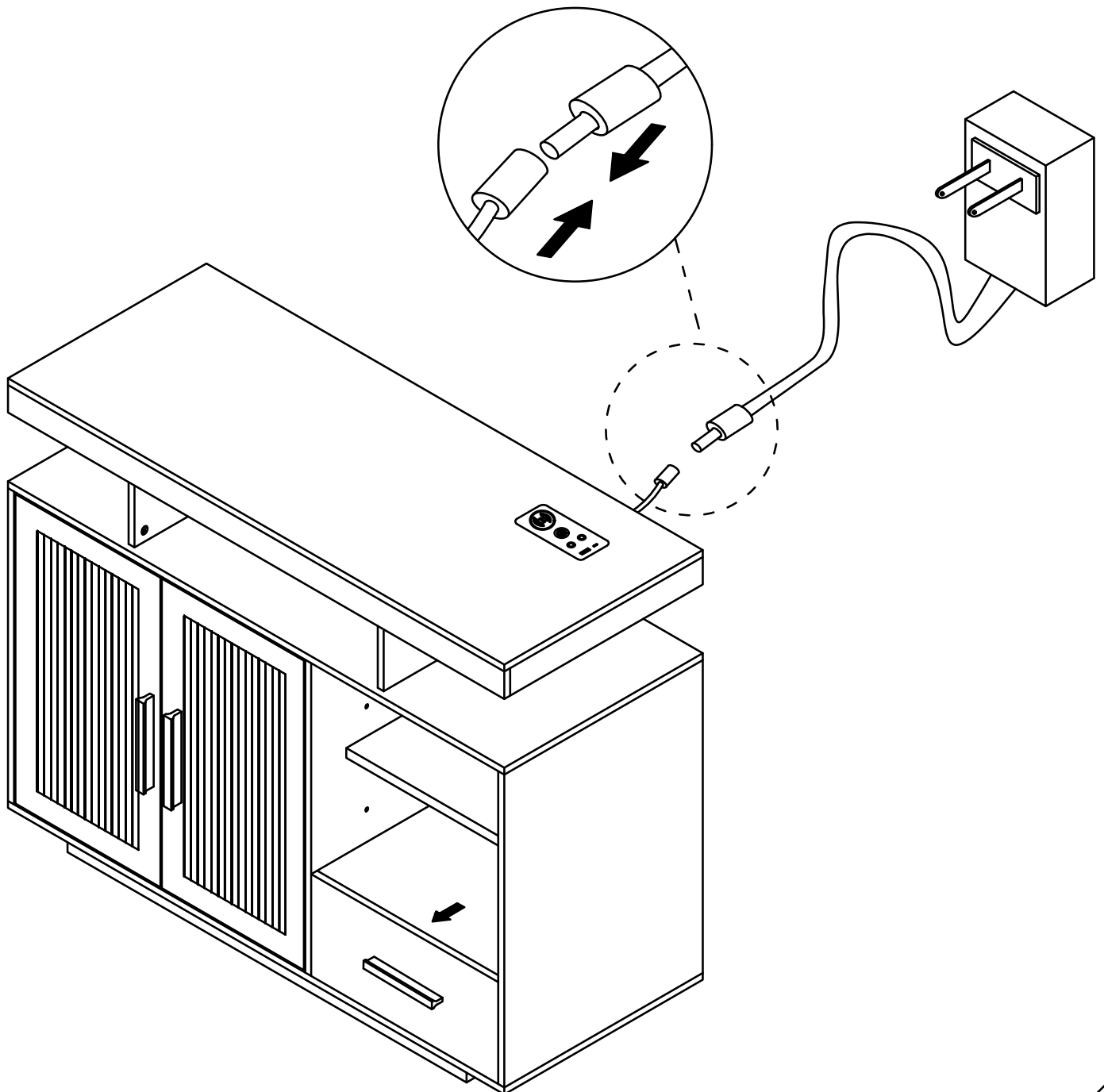
## Step 45

⑦



x1

The bedside table supports wireless charging ,  
It can be charged by placing a mobile phone  
that supports wireless charging





## User's Guide

Thank you for purchasing this product.

To use this product, please plug it into a 12V DC power supply.

Please use it if the product works normally after connecting to power.

## Introduction

The box is an intelligent controller which integrates the charging function and the lighting control function, coming with 1 USB port and 1 type-C port, 2 touch buttons, a 24-color lighting control button, and a wireless charger.

## Operation



This touch button is used to turn on/off lights and adjust brightness.

A. Long touch -> adjust the luminance.

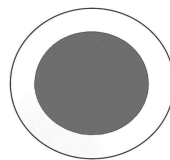


This touch button is used to turn on/off the induction function.

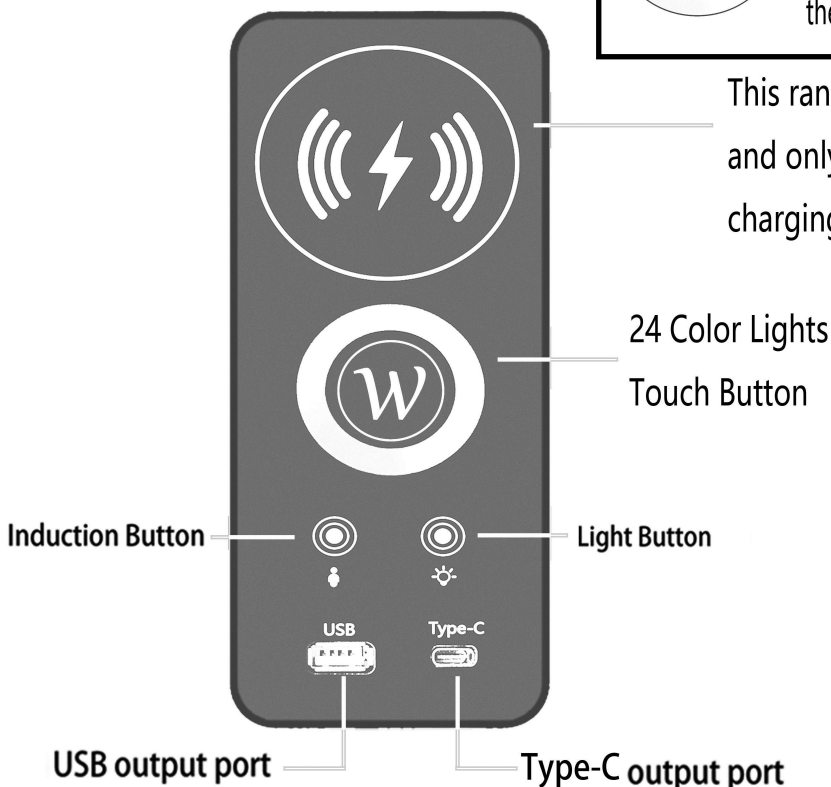
A. Short touch to turn on the induction function. It can auto-turn on the light when people are close to the controller within 1 meters. It can auto power off the light when the body is far away from the controller after 30 seconds.

B. Long touch to turn off the induction function.

C. Note: When you touch the light button to change the light modes, the induction function will automatically turn off. It is best to turn on this function after selecting the light color and adjusting the brightness you want.



This touch button is used to change 24 colors light. You can rotate the ring to choose colors, or click the ring to choose colors. Click in the middle of the ring, and reset to the white light.



This range is a wireless charging area, and only mobile phones with wireless charging function can be charged.



## ATTENTION PLEASE

1. If there is no touch response suddenly, Re-plug the power to reset the touch static electricity.
2. If bubbles appear on the panel, remove the protective film.
3. If you have any questions when installing, please feel free to contact us. Thank you.