

## Tufted Storage Ottoman Bench

**FOLLOW US:**



**NOTE:**

The instruction booklet contains **IMPORTANT** safety information Please read and keep for future reference.

## OUR BRAND

We have been dedicated to providing customers with quality products and exceptional service and have prospered into one of the nation's largest retailers of indoor and outdoor home décor. Every product is carefully selected to ensure they meet our standards as well as your standards. We believe quality should never be determined by price which is why we are committed to providing high end merchandise at the absolute lowest cost.

PLEASE LIKE, COMMENT AND FOLLOW.



Estimated Time for Assembly

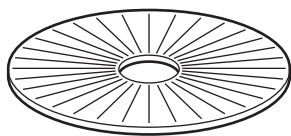
**05:00**



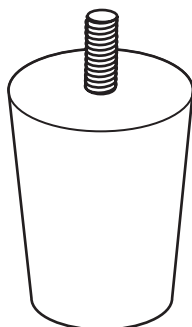
Weight Limitation

**300**

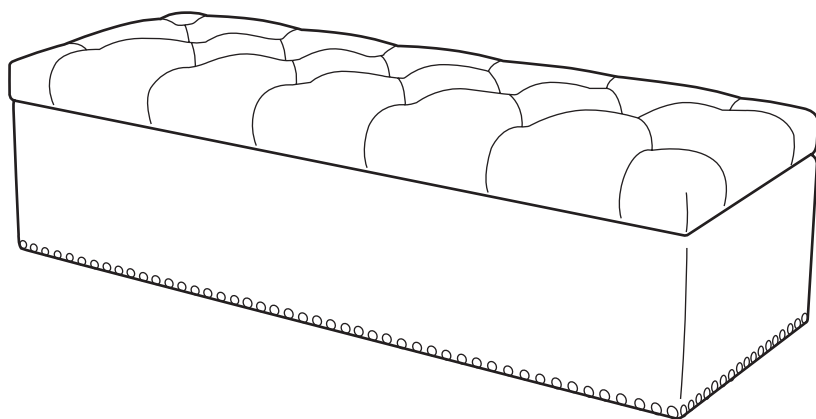
## PACKAGE CONTENT



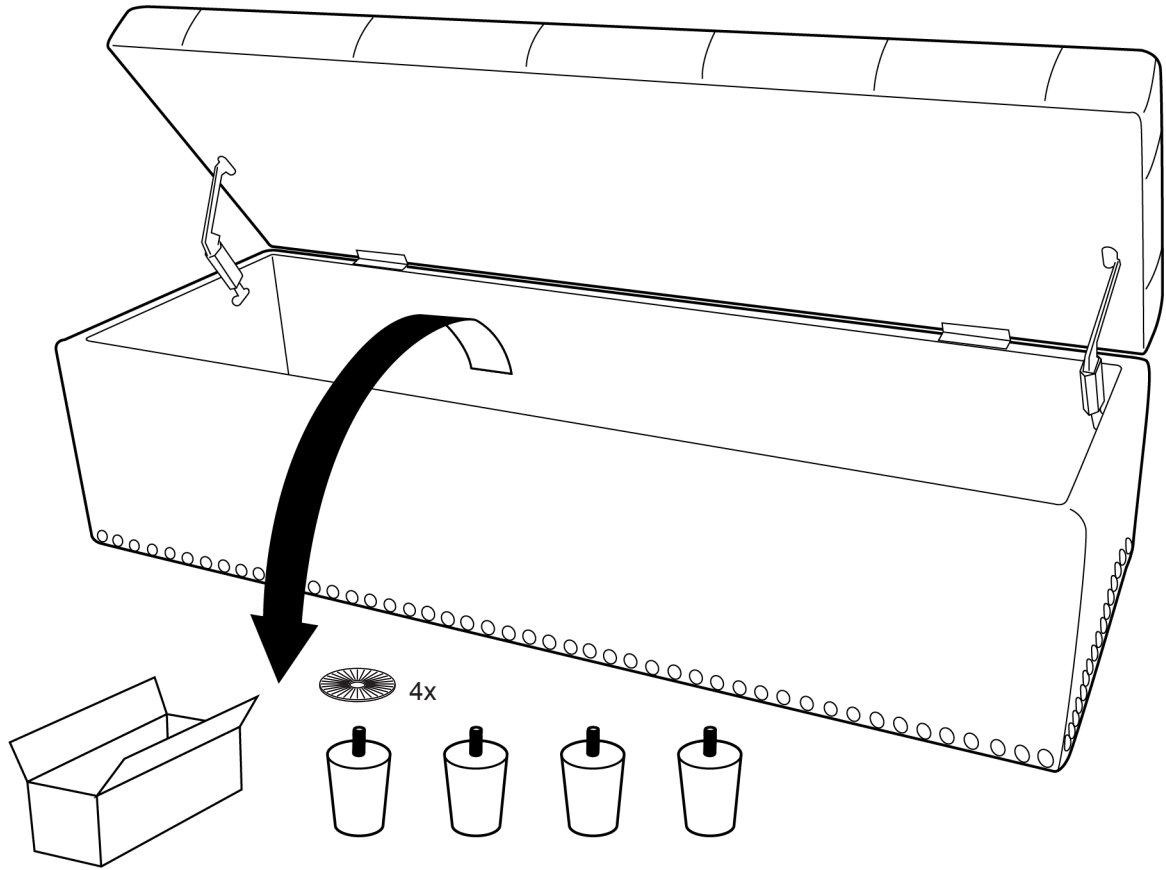
4x



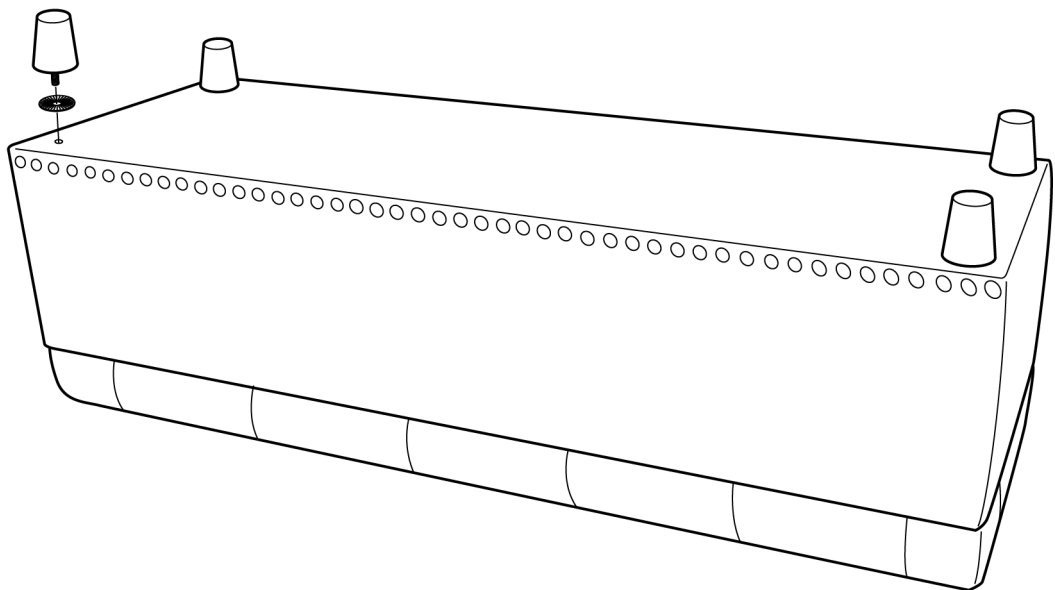
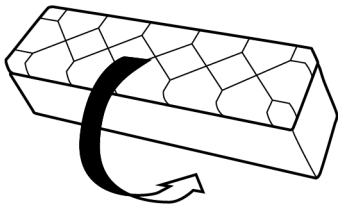
4x



**1**



**2**



**FINISH!**

## Warranty

Our products come with a 1 year warranty from the date of purchase.

In any event that the product arrives damaged or missing parts, we are more than happy to provide you with replacement part(s).

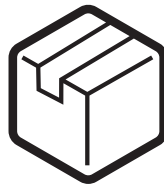
**Register your product on our website to enjoy extended warranty!!**

## Easy Return

We work hard to make sure order arrives safe and secure, but rest assured we will take care of it if it is not up to standard. If you need replacement parts, Contact us or email us, we will send you replacements with no hassle.



Contact Us



Replacement



You

You don't have to worry about re-packaging / schedule pick-up.

**We hope you enjoy your new furniture!  
Share your photos on Instagram and tag us.**