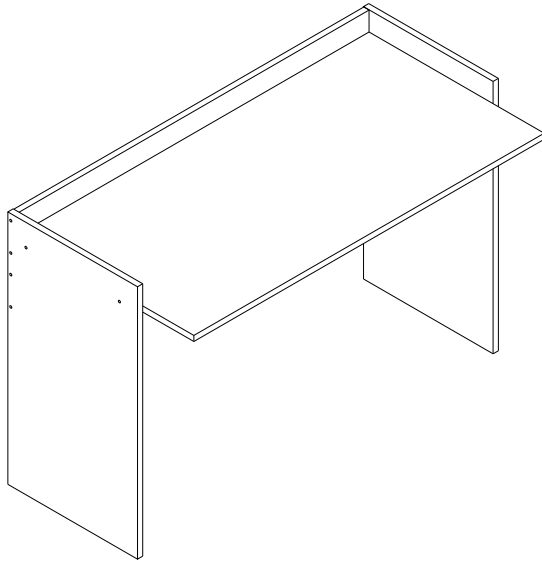


INSTALLATION AND USE MANUAL

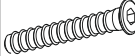



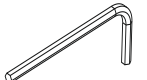
YOU CAN SUPPORT WITH THE FOLLOWING COMMUNICATION INFORMATION ON PROBLEMS WITH THE PRODUCT SET UP.



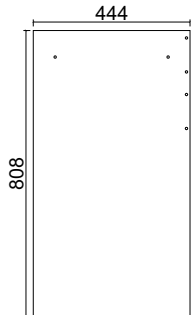
STUDY DESK 47inch



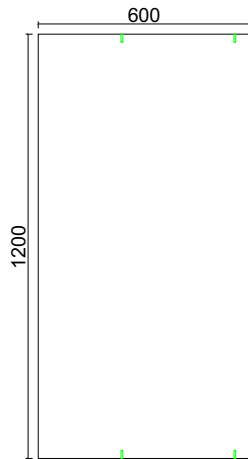
ACCESSORIES LIST

Cabin Screw Alyan Head 50 lik  12x	Kabin screw Stopper  12x
PLASTIC BRACKET 27*27*27 WHITE  2x	Chipboard 3.5x18  8x
SPIKED PAPUCA (WHITE) 4x	Alyan KEY 4lük  1x

PIECE PICTURES



SIDE PANEL
2AD

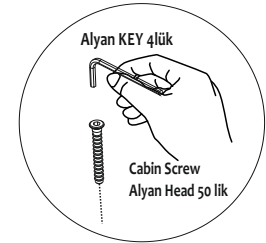
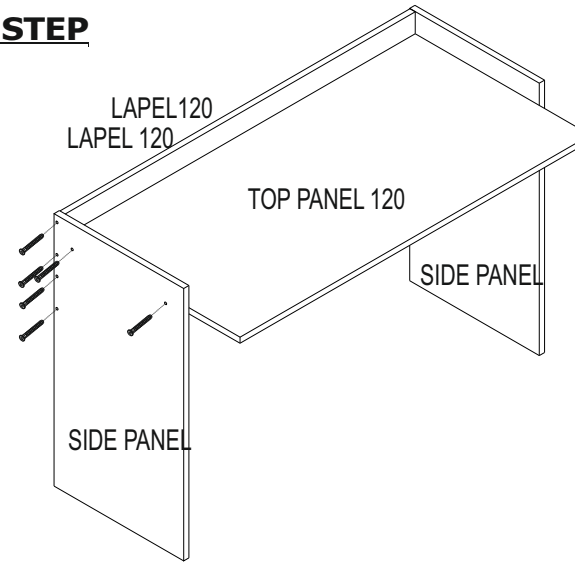


TOP PANEL 120
1AD



LAPEL 120
2AD

1.STEP



2.STEP

