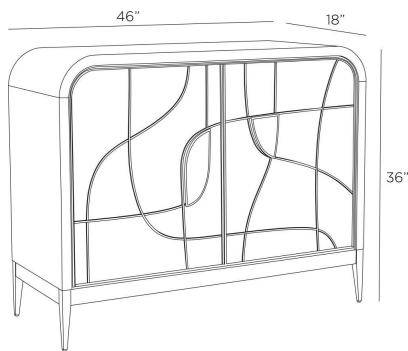


ARTERIOS

HARDIN CABINET



FNS15
H: 36 IN, W: 46 IN, D: 18 IN,
Oyster

This handsome buffet-style cabinet delivers both style and function. Set within the waterfall veneer frame of oyster oak, panels of beige seagrass cloth are bracketed by linework in a playful pattern of heritage brass. Inspired by modernist sculpture, the integrated custom heritage brass hardware pulls have a tactile groove for easy opening. Inside lies a single adjustable shelf.

APPEARANCE

Material	Seagrass Cloth, Oak Veneer, Brass
Material Type	Cast
Finish	Beige, Oyster, Heritage Brass
Top Coat/Sealant	Yes
Total Shelf Count	2

DIMENSIONS

Door	H: 26.5 IN, W: 21.5 IN, D: 1 IN
Foot Print	W: 46 IN, D: 18 IN
Shelf	H: 1.5 IN, W: 21 IN, D: 15.5 IN
Diagonal Dimension	40.5 IN
Clearance	5.5 IN

SHIPPING

Shipping Requirements	TruckShip
Product Weight	149.2 lbs
Gross Weight 1	194 lbs
Shipping Box 1	H: 41 IN, L: 49.25 IN, W: 22 IN

ADDITIONAL INFO

Features	Anti-Tip Kit Included
Swatch Number	BCSSW, OWSW
Leg Or Foot Application	Adjustable Nylon Glides

CONTRACT

Contract Suitable	Yes
-------------------	-----