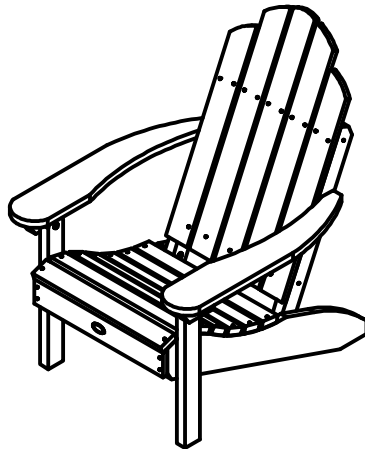


Classic Adirondack Chair

Assembly Guide



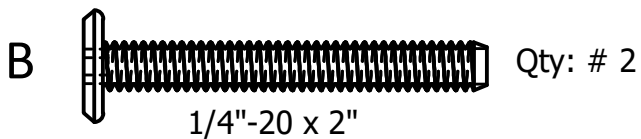
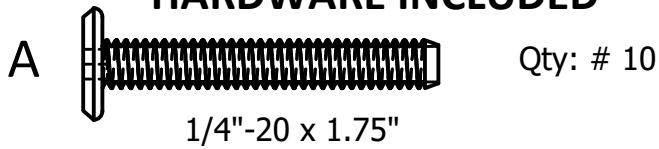
Scan for
Assembly
Video!



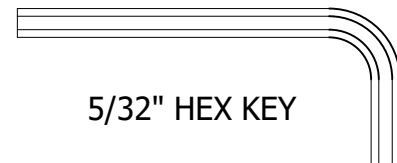
CLAS1
CLAS1
CLASSQ01

*Actual Style May Vary from
the One Pictured in this Guide

HARDWARE INCLUDED



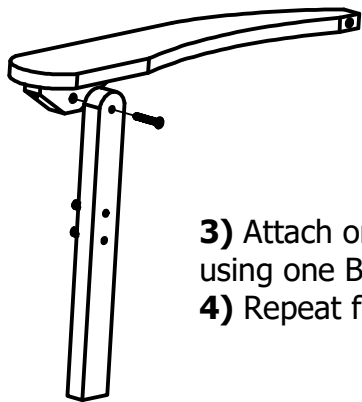
TOOLS INCLUDED



IMPORTANT!

DO NOT fully tighten bolts until all bolts are started.

- 1) With the Back and Seat on their sides, attach one side of the Back to the Seat using two A bolts.
- 2) Repeat on other side.



- 3) Attach one leg to the arm using one B bolt.
- 4) Repeat for other arm/leg.

- 5) With the chair still on its side, attach the Back to the Arm using one A bolt.
- 6) Attach the Seat to the Leg using two A bolts.
- 7) Flip chair onto its other side and repeat steps 5 & 6.

