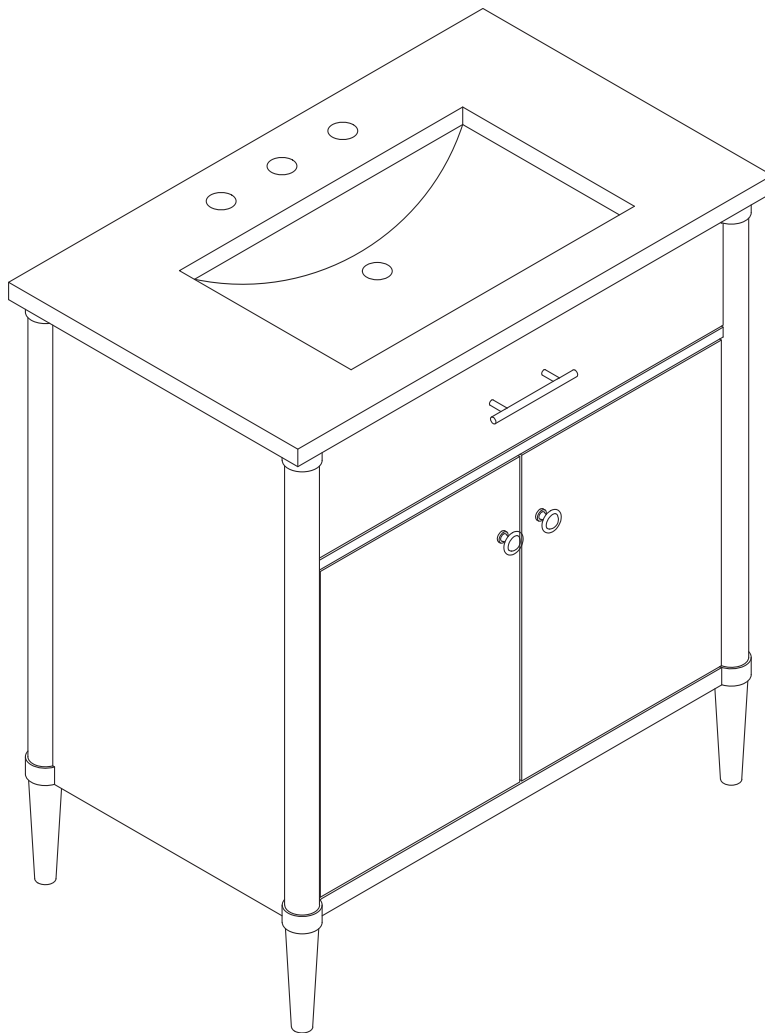


BATHROOM VANITY

Assembly Instructions - Please keep for future reference



Important - Please read these instructions fully before starting assembly



Safety and Care Advice

Important – Please read these instructions fully before starting assembly

- Check you have all the components and tools listed on the following pages.
- Remove all fittings from the plastic bags and separate them into their groups.
- Keep children and animals away from the work area, small parts could choke if swallowed.
- Make sure you have enough space to layout the parts before starting.

- During assembly do not stand or put weight on the product, this could cause damage.
- Assemble the item as close to its final position (in the same room) as possible.
- Assemble on a soft level surface to avoid damaging the unit or your floor.
- Parts of the assembly will be easier with 2 people.



power drill is set on a low torque setting.

- To reduce the likelihood of damaging your product please ensure that your

Care and maintenance

- Only clean using a damp cloth and mild detergent, do not use bleach or abrasive cleaners.

- From time to time check that there are no loose screws on this unit.

- This product should not be discarded with household waste. Take to your local authority waste disposal centre.

Handy Hints

- Assemble all parts and bolts loosely during assembly, only once the product is complete should you fully tighten the bolts

- Regularly check and ensure That all bolts and fittings are tightened properly.

WARNING In order to help prevent overturning – please follow these instructions


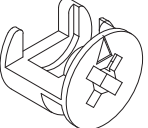
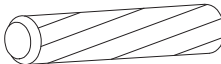

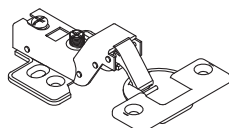

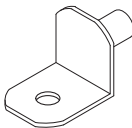


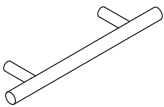
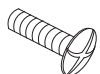
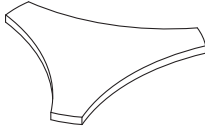

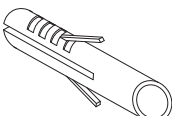
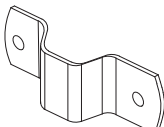

To help prevent product toppling over please follow the below steps:-

- Use the anti tip stap or wall fixing method provided (if applicable)
- Do not allow children to climb or hang on the furniture
- Do not open more than one drawer at a time
- Do not place heavy items in the top drawers
- Do not place heavy items on top of the furniture, unless the furniture has been designed for this purpose

Components - Fittings

Please check you have all the panels listed below

Note: The quantities below are the correct amount to complete the assembly. In some cases, more fittings may be supplied than required.

<p>A QTY: 19+1</p> 	<p>B QTY: 19+1</p> 	<p>C QTY: 14+1</p>  <p>Ø8*30mm</p>	<p>D QTY: 2</p>  <p>Ø8*20mm</p>
<p>CAM BOLT</p>	<p>CAM LOCK</p>	<p>WOOD DOWEL</p>	<p>FLAT HEAD SCREW</p>
<p>E QTY: 4</p> 	<p>F QTY: 24+1</p>  <p>Ø7*15mm</p>	<p>G QTY: 4</p> 	<p>H QTY: 8+1</p>  <p>Ø6*12mm</p>
<p>HINGES</p>	<p>FLAT HEAD SCREW</p>	<p>SHELF PIN</p>	<p>FLAT HEAD SCREW</p>
<p>I QTY: 2</p> 	<p>J QTY: 1</p> 	<p>K QTY: 4+1</p>  <p>Ø8*15mm</p>	<p>L QTY: 1</p> 
<p>KNOB</p>	<p>HANDLE</p>	<p>BOLT</p>	<p>CAM TOOL</p>
<p>Q QTY: 4</p>  <p>Ø8*38mm</p>	<p>N QTY: 4</p> 	<p>O QTY: 2</p> 	<p>P QTY: 2</p> 
<p>FLAT HEAD SCREW</p>	<p>ANCHOR</p>	<p>HOOK</p>	<p>METAL TIES</p>

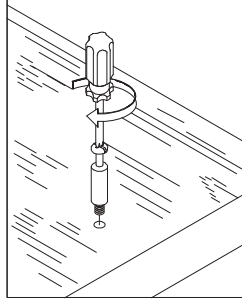
Using Camlocks

Step 1

Connect the male camlock as directed in the assembly instructions using a screwdriver.

1

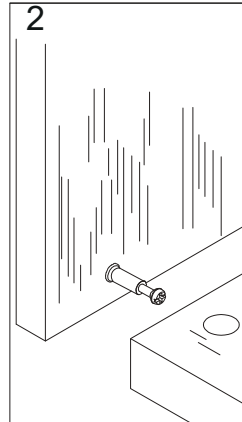
DO NOT OVER TIGHTEN.
NE PAS SERRER EXCESSIVEMENT.



Step 2

Push the male camlock into the entry hole.

2

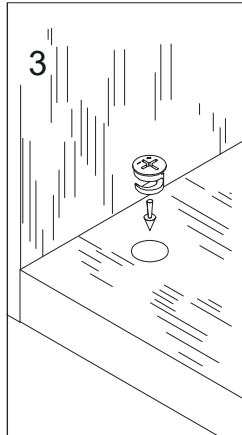


Step 3

Insert the female camlock as shown in the instruction.

Note: ensure that the arrow on the top of the camlock points towards the entry hole for the male camlock.

3



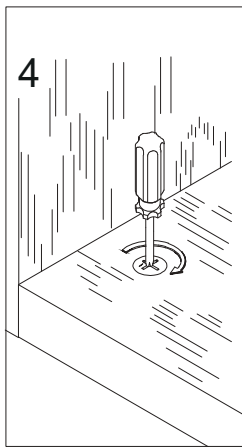
Step 4

Turn the female camlock clockwise with a screwdriver.

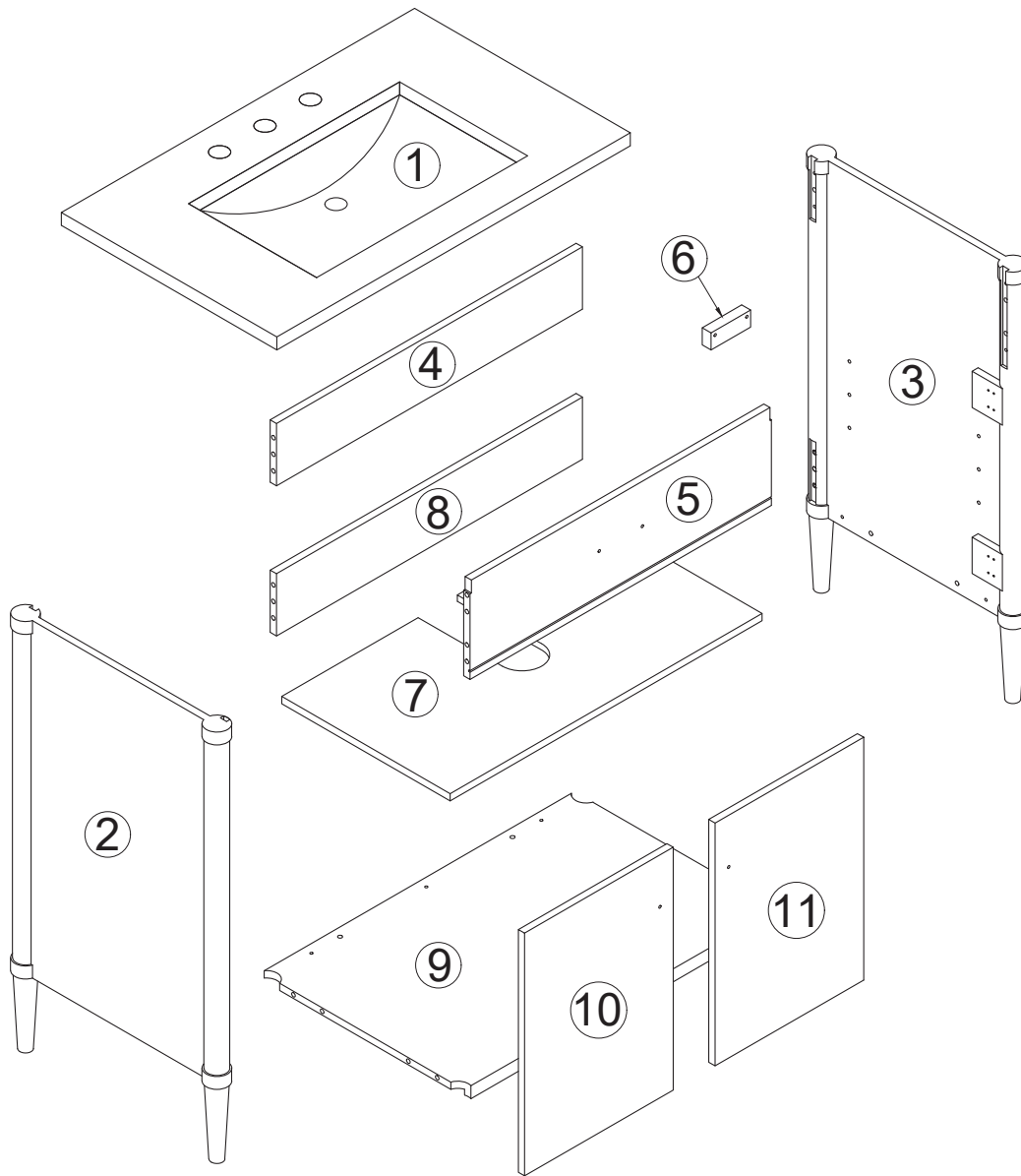
You should feel a click when the camlock is locked in place.

The joint is now secure.

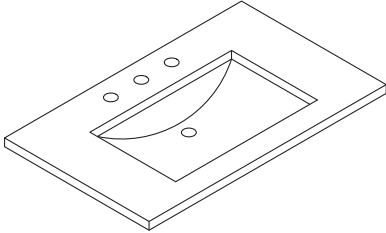
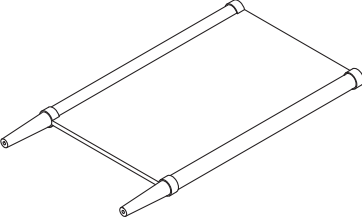
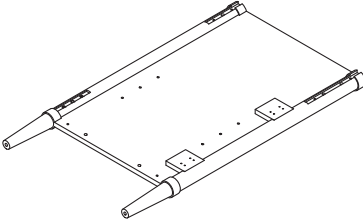
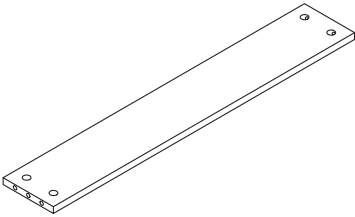
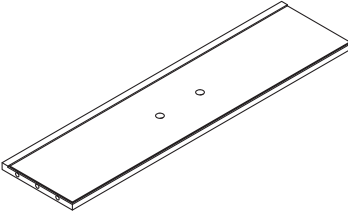
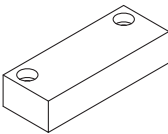
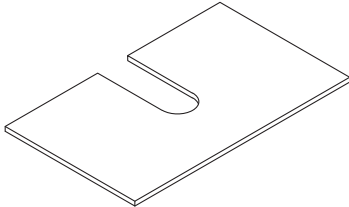
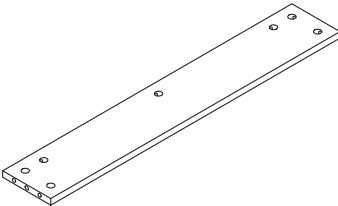
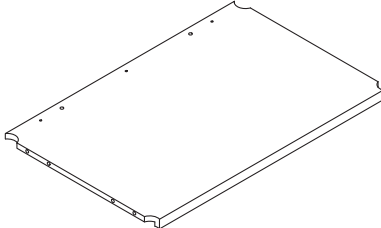
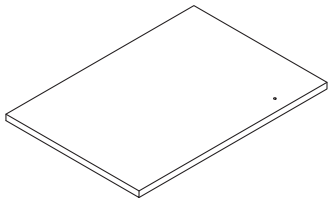
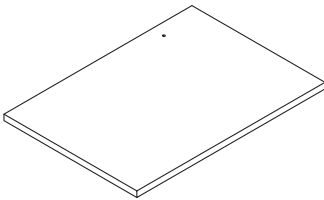
4



COMPONENTS - KEY DIAGRAM

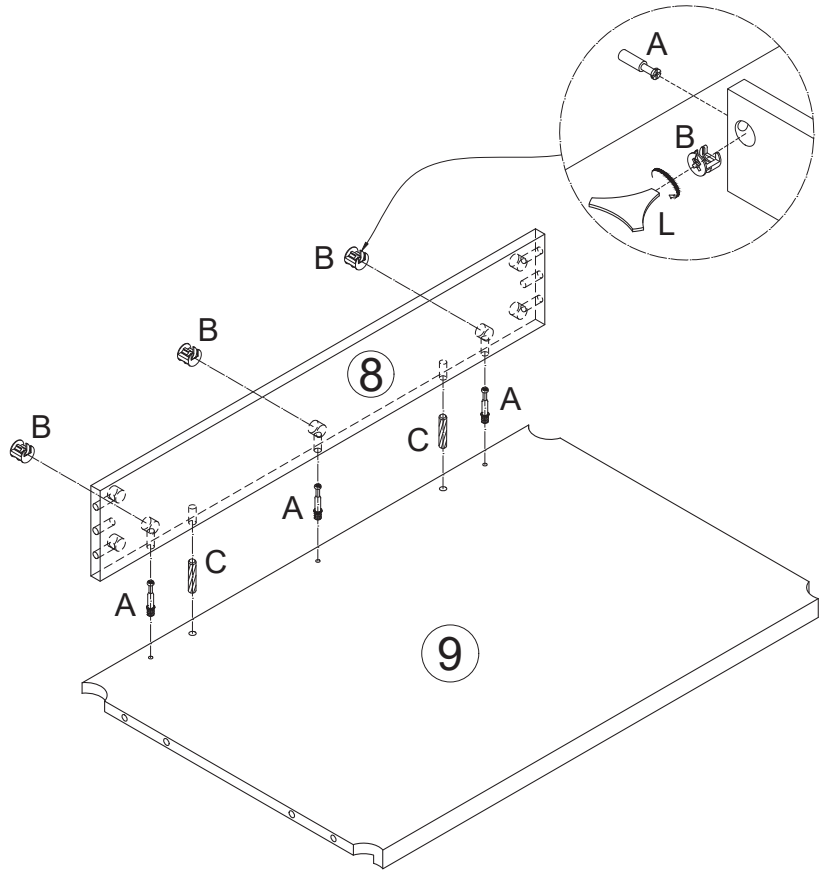
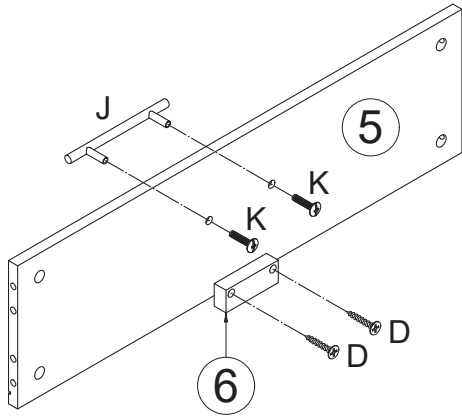


COMPONENTS - KEY DIAGRAM

<p>1</p> 	<p>2</p> 	<p>3</p> 
<p>SINK QTY: 1</p>	<p>LEFT FRAME QTY: 1</p>	<p>RIGHT FRAME QTY: 1</p>
<p>4</p> 	<p>5</p> 	<p>6</p> 
<p>TOP BACK PANEL QTY: 1</p>	<p>FRONT PANEL QTY: 1</p>	<p>DOOR STOP QTY: 1</p>
<p>7</p> 	<p>8</p> 	<p>9</p> 
<p>SHELF PANEL QTY: 2</p>	<p>BOTTOM BACK PANEL QTY: 1</p>	<p>BOTTOM PANEL QTY: 1</p>
<p>10</p> 	<p>11</p> 	
<p>LEFT DOOR QTY: 1</p>	<p>RIGHT DOOR QTY: 1</p>	

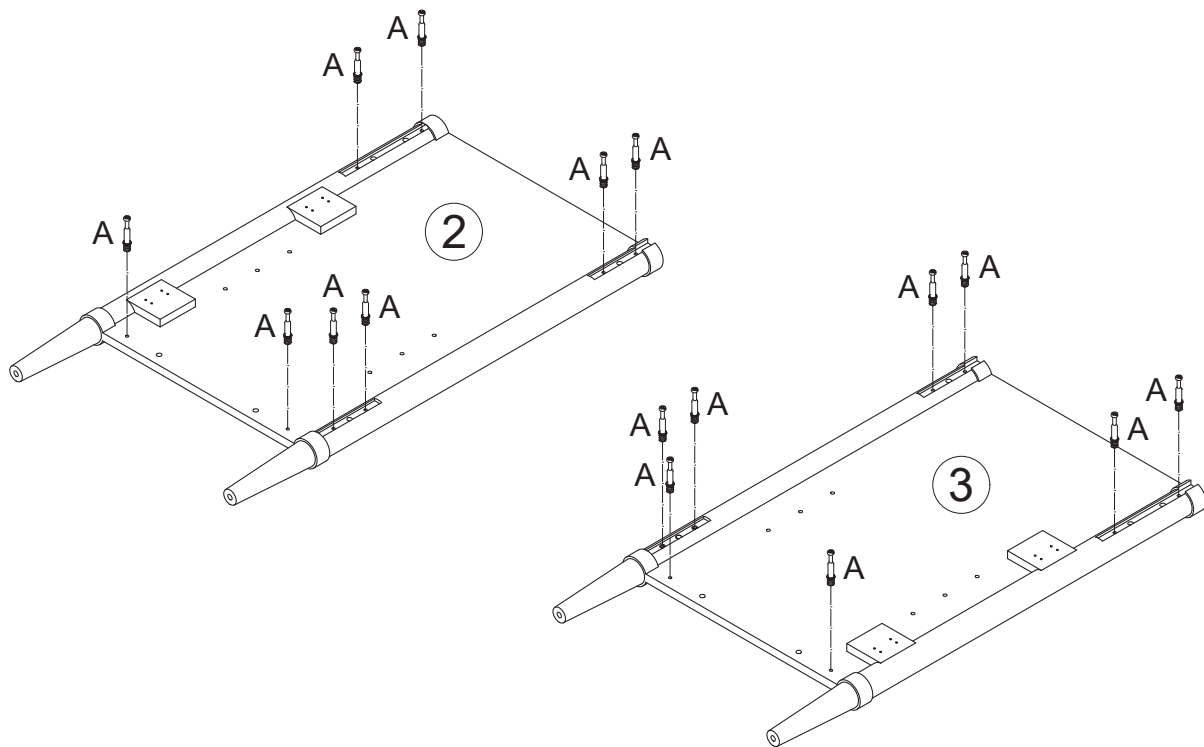
ASSEMBLY INSTRUCTIONS

STEP 1



A		3PCS
B		3PCS
C		2PCS
D		2PCS
J		1PC
K		2PCS

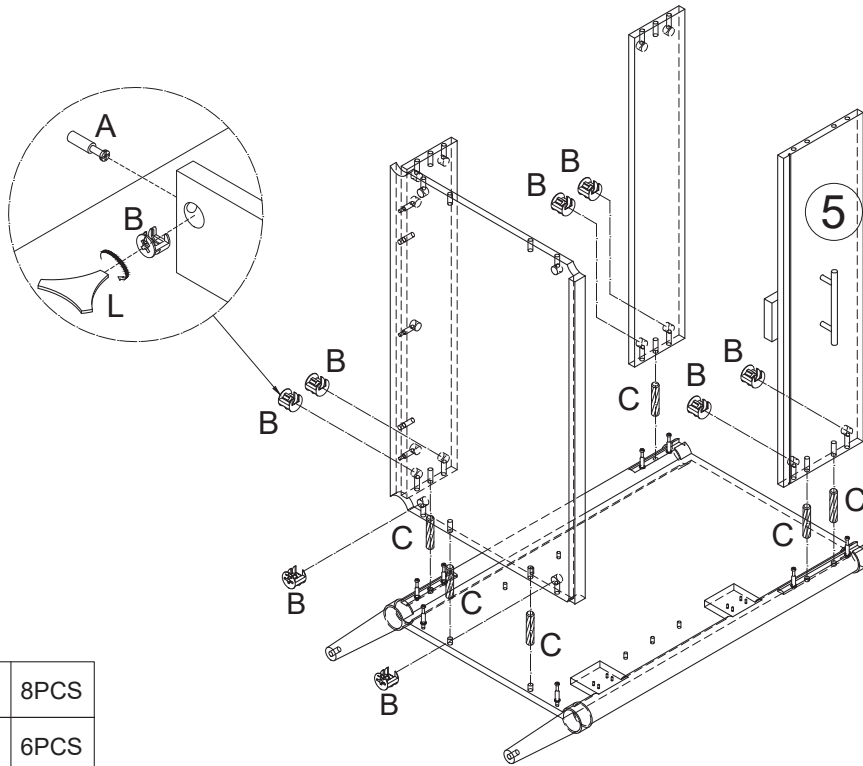
STEP 2


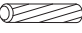



A		16PCS
---	--	-------

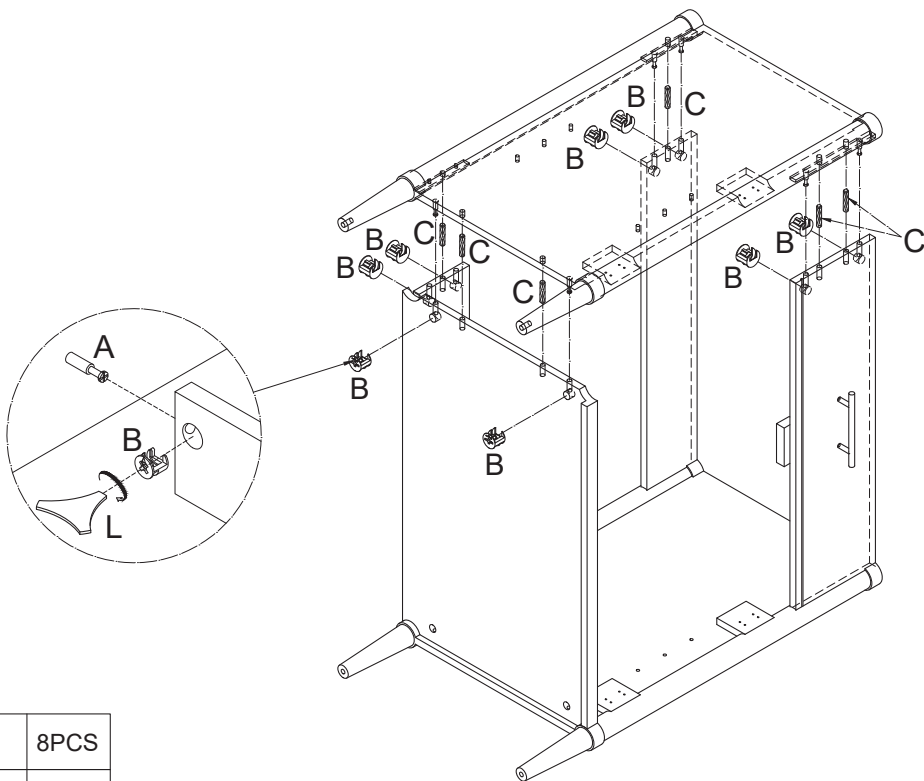
ASSEMBLY INSTRUCTIONS




STEP 3



B		8PCS
C		6PCS
L		1PC

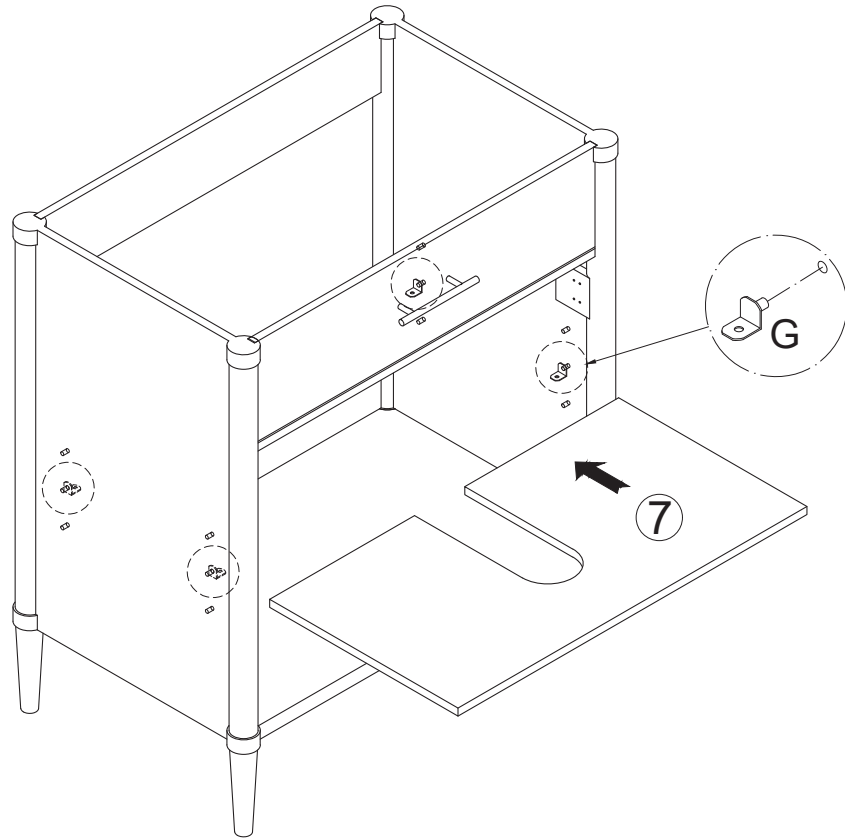
STEP 4



B		8PCS
C		6PCS
L		1PC

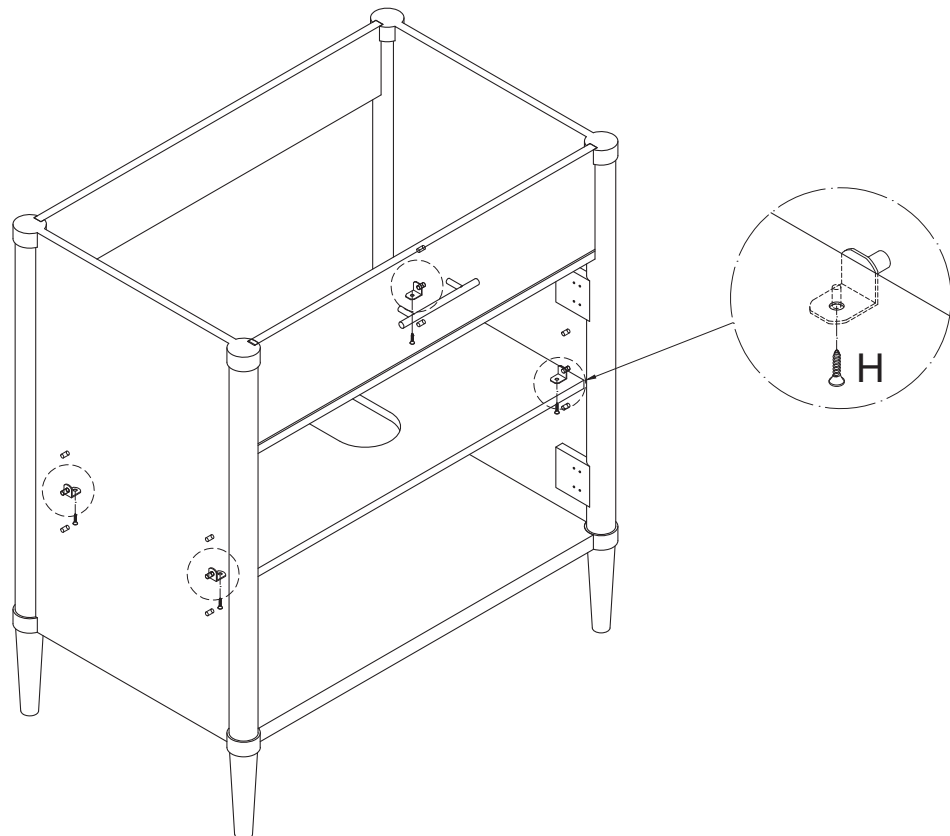
ASSEMBLY INSTRUCTIONS


STEP 5



G		4PCS
---	---	------

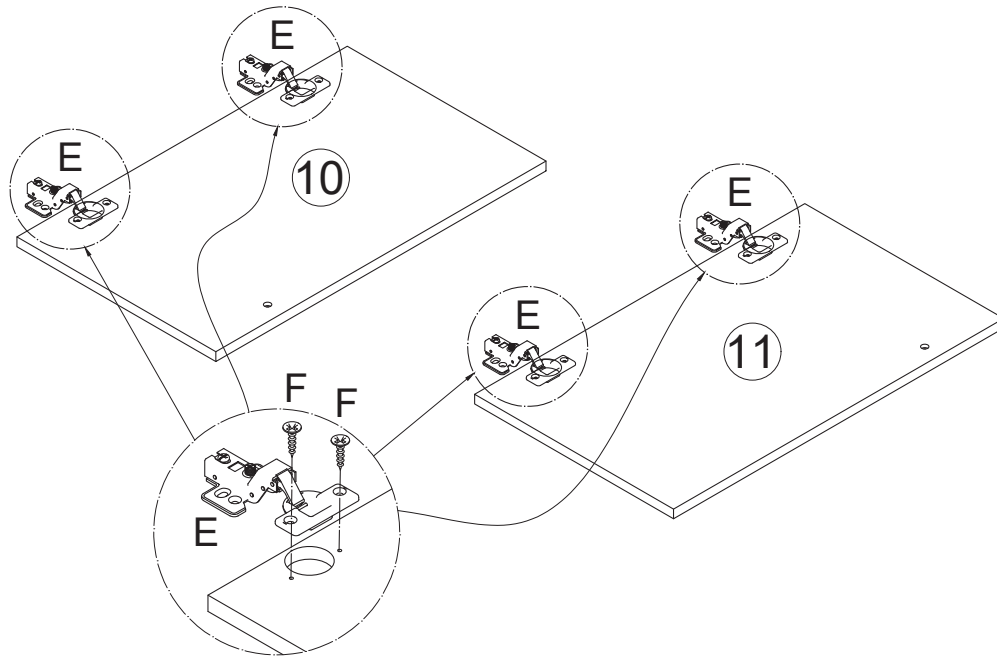
STEP 6





H		4PCS
---	---	------

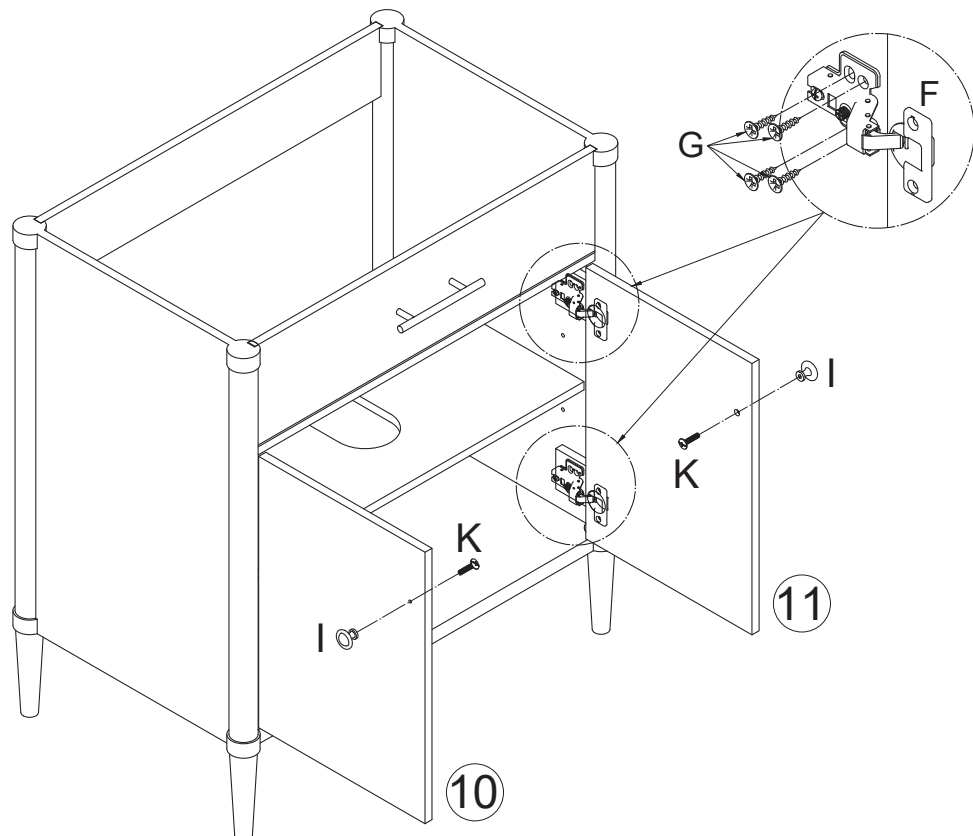
ASSEMBLY INSTRUCTIONS


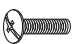

STEP 7



E		4PCS
F		8PCS

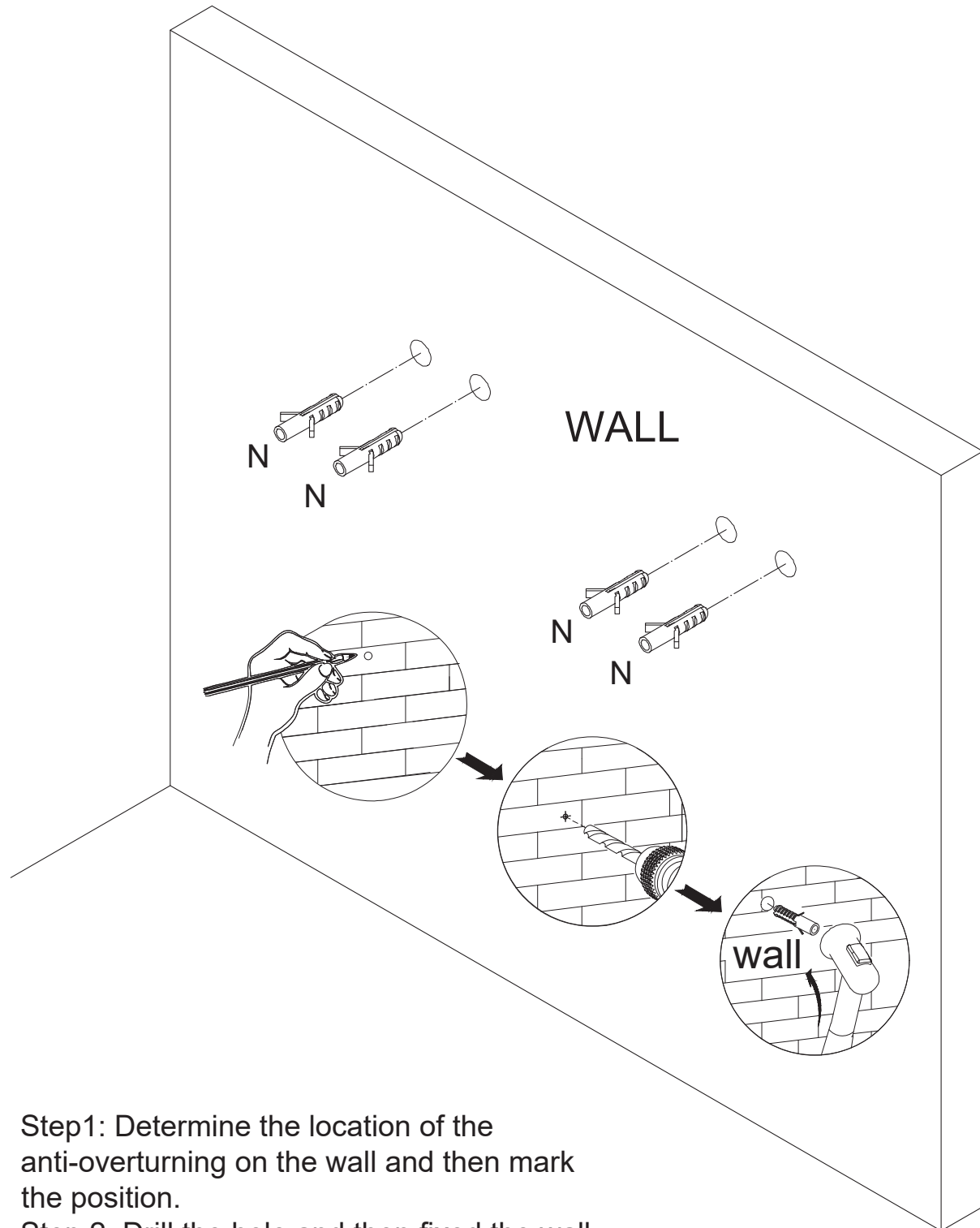
STEP 8



I		2PCS
K		2PCS
F		16PCS

ASSEMBLY INSTRUCTIONS

STEP 9



Step1: Determine the location of the anti-overturning on the wall and then mark the position.

Step 2: Drill the hole and then fixed the wall plug (N) on the wall.

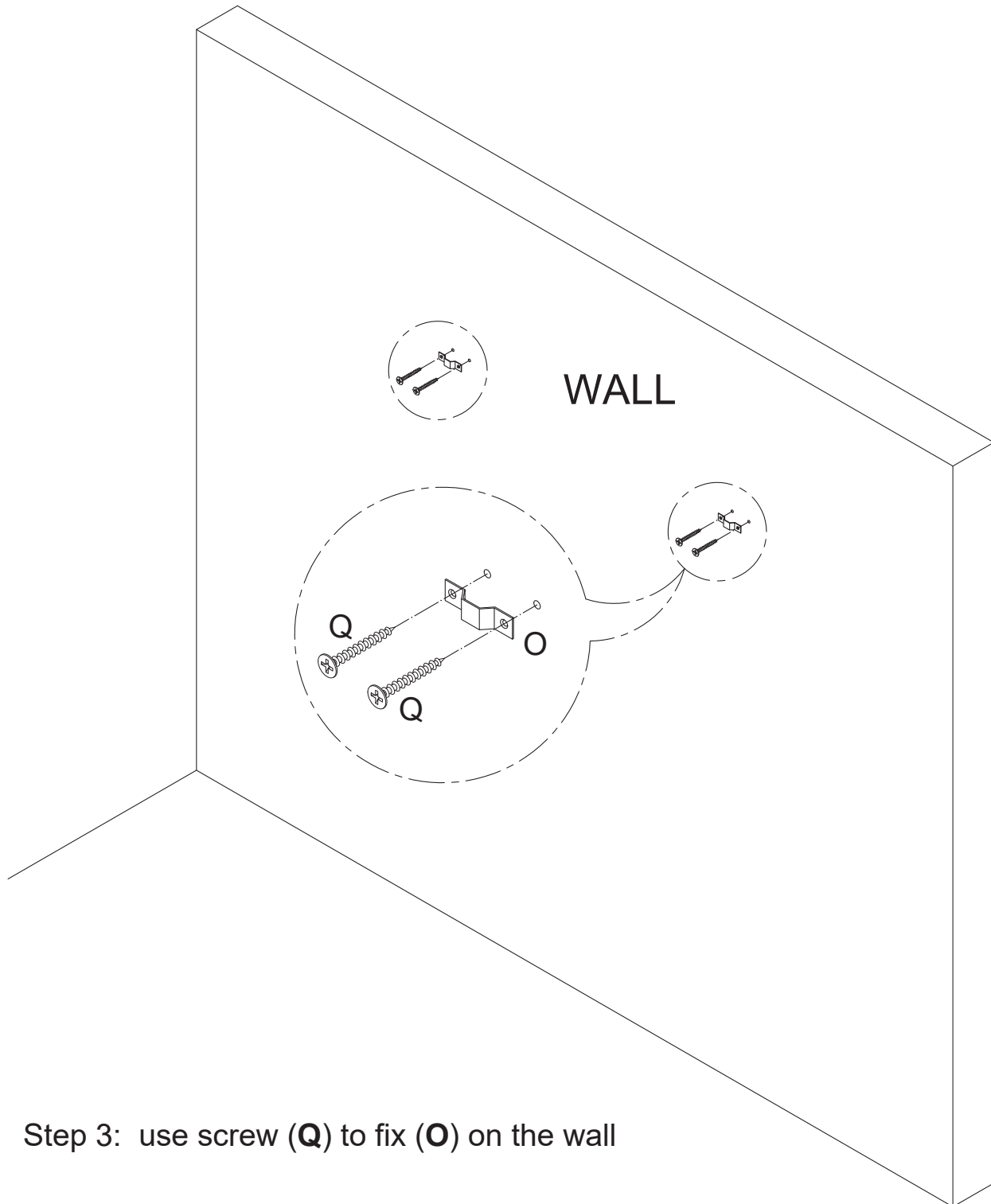
N




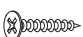
4PCS

ASSEMBLY INSTRUCTIONS

STEP 10

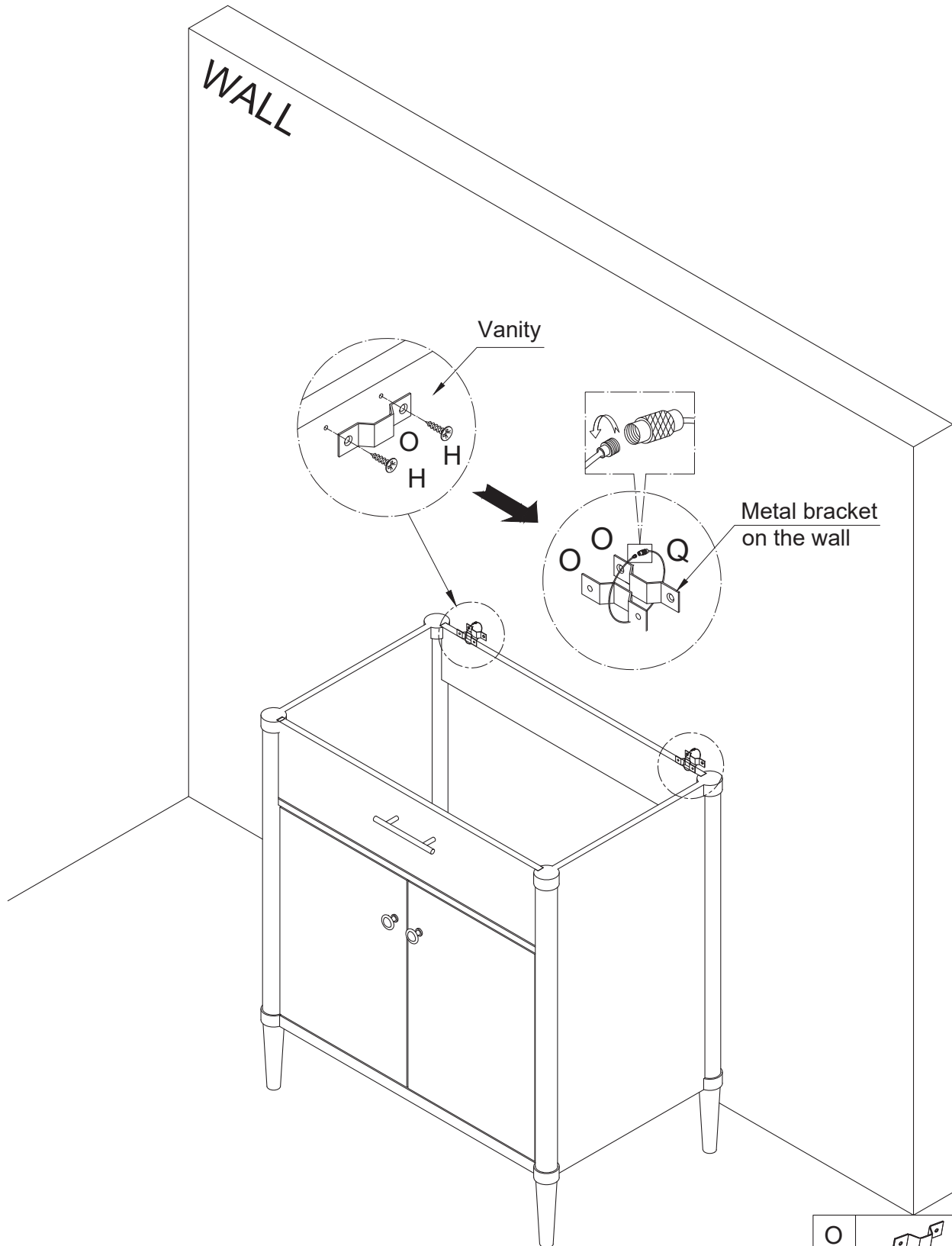





Step 3: use screw (Q) to fix (O) on the wall

O		2PCS
Q		4PCS

ASSEMBLY INSTRUCTIONS

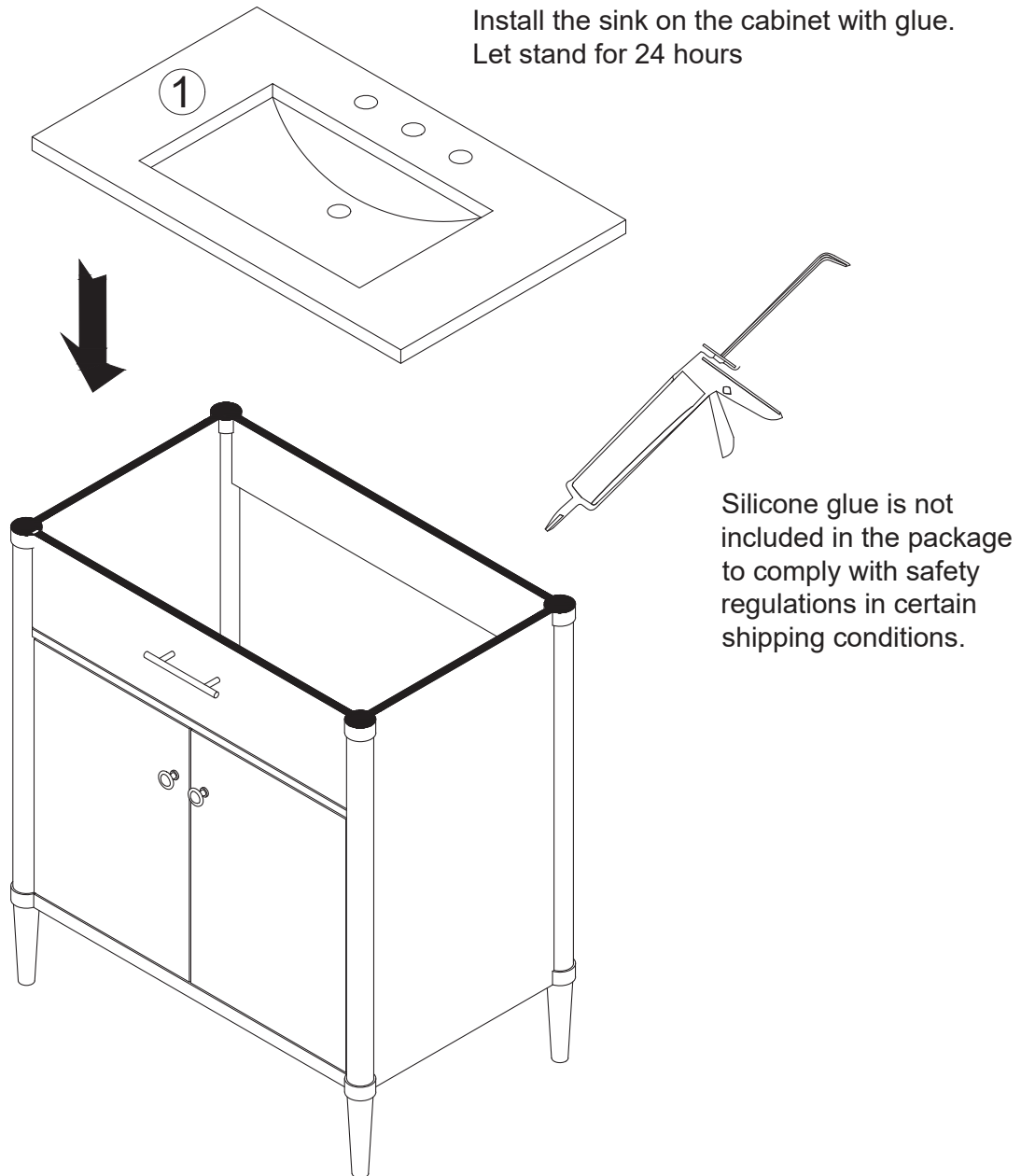
STEP 11



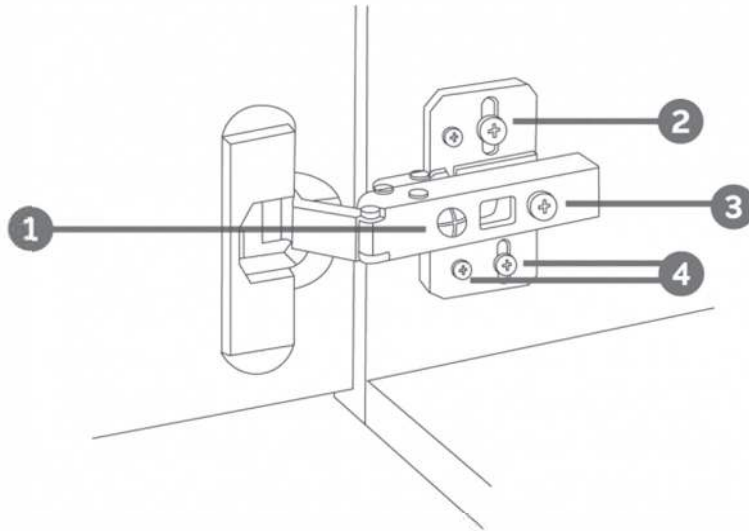
O		2PCS
H		4PCS
P		2PCS

ASSEMBLY INSTRUCTIONS

STEP 12

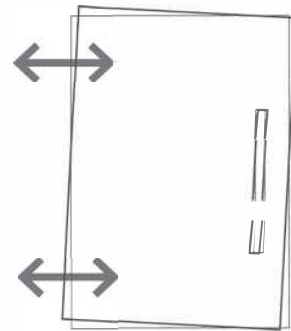


HINGE ADJUSTMENTS



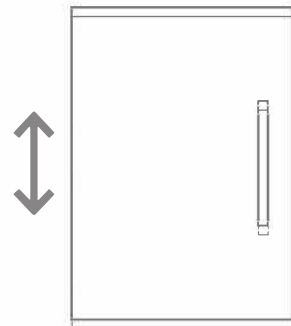
1 Sideways / Tilt adjustment

Turn the screw
clockwise to move the door further away from the side of the cabinet
anticlockwise to move the door closer to the side of the cabinet



2 4 Height adjustment

While supporting the weight of the door, turn the screws
clockwise to move the door up
anticlockwise to move the door down



3 Forward and back adjustment

If the gap between the back of the door and the cabinet is too small, and the door may not close fully. Turn the screw
clockwise to decrease the gap between the door and the cabinet
anticlockwise to increase the gap between the door and the cabinet

