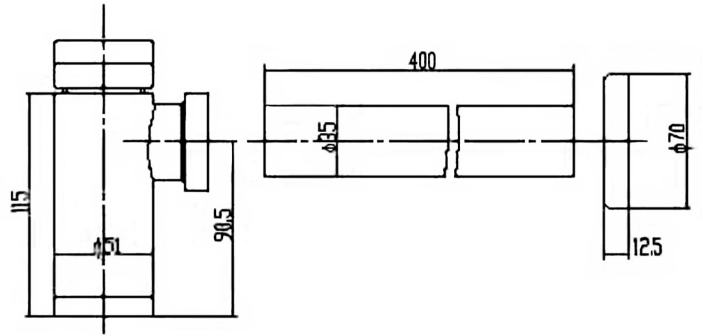


# CUSTOMER DATA SHEET - WASTES & EXTRAS

**DESCRIPTION:** Bottle Trap



### PRODUCT DIMENSIONS

Height (mm)	Width (mm)	Length (mm)	Depth (mm)	Nett Wgt Kg
115	70		51	0.71

### PACKAGING DIMENSIONS

Height (mm)	Width (mm)	Depth (mm)	Gross Wgt Kg
	135	55	0.82

### PACKAGING DATA

Box Colour	White Cardboard Box		
Box Qty	1	Label Colour	White Label
Label Size	100 X 50	Label Qty	2

### OUTER BOX DIMENSIONS (If Applicable)

Height (mm)	Width (mm)	Length (mm)	Depth (mm)	Gross Wgt Kg

### PRODUCT DETAILS

Country of Origin	China	CE Certification	N/A
Fitting Instruction	No	Colour/Finish	Chrome
Product Material	Brass	Product Diameter	70mm
Heating Element Wattage	N/A	Connection Size	11/4"