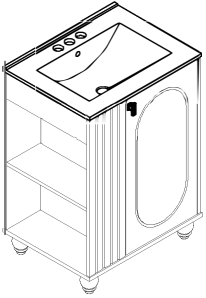


# ASSEMBLY INSTRUCTIONS

Thank you for purchasing this quality Product. Be sure to check all packing material carefully for small parts, which may have come loose inside carton during shipment. Identify and count all parts and compare with the parts list below.



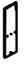












## ASSEMBLY INSTRUCTION:

1. Remove hardware from box and sort by size.
2. Please check to see that all hardware and parts are present prior start of assembly.
3. Please follow attached instruction in the same sequence as numbered assure fast and easy assembly.

## WARNING!

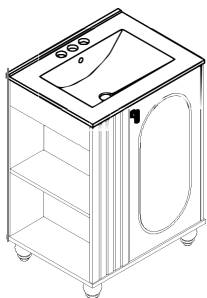
1. Don't attempt to repair or modify parts that are broken or defective. Please contact the store immediately.
2. This product is for home use only and not intended for commercial establishments.
3. Two persons are required for assembly.
4. Approximate assembly time 1/2 hours.
5. Component parts and fittings contained in the box. Please sort out all parts before you begin to assemble the item. This is to make sure you always use the correct part.
6. It is **STRONGLY RECOMMENDED** that you **ANCHOR** this product to a wall. Tipping furniture can cause serious injuries and death. To prevent your furniture from tipping forward it is strongly recommended that you securely attach this product to a wall or other solid surface, using the anchor straps provided appropriate fittings.

No.	Component	Q'ty
1	 Side Panel-Right	1
2	 Middle Panel #1	1
3	 Front Panel-Left	1
4	 Back Panel-Left	1
5	 Front Rail - Above	1
6	 Back Panel	2
7	 Left Panel - Up	1
8	 Middle Panel #2	1
9	 Bottom Panel	1
10	 Shelf	1
11	 Leg	4

No.	Component	Q'ty
12	 Door - Right	1
13	 Sink	1

# ASSEMBLY INSTRUCTIONS

Thank you for purchasing this quality Product. Be sure to check all packing material carefully for small parts, which may have come loose inside carton during shipment. Identify and count all parts and compare with the parts list below.

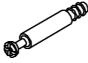








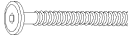





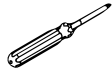
## ASSEMBLY INSTRUCTION:

1. Remove hardware from box and sort by size.
2. Please check to see that all hardware and parts are present prior start of assembly.
3. Please follow attached instruction in the same sequence as numbered assure fast and easy assembly.

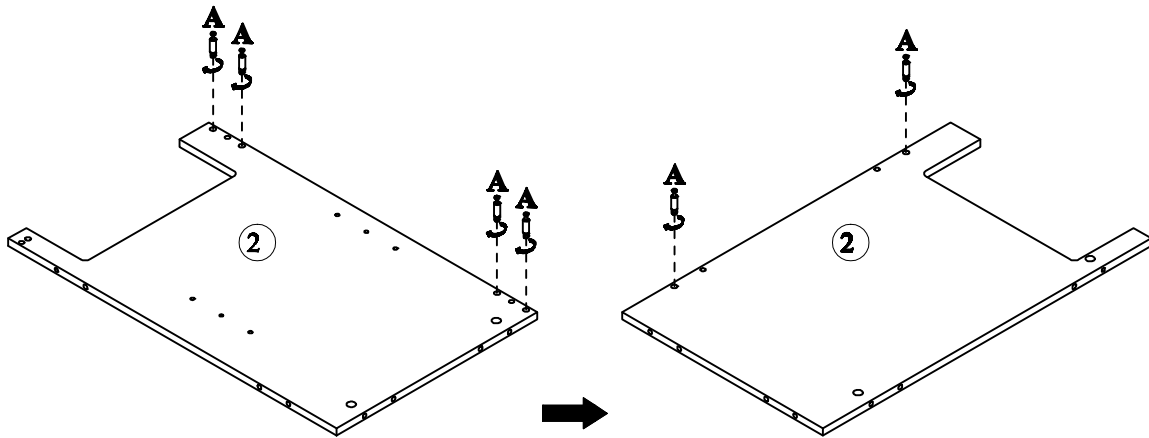
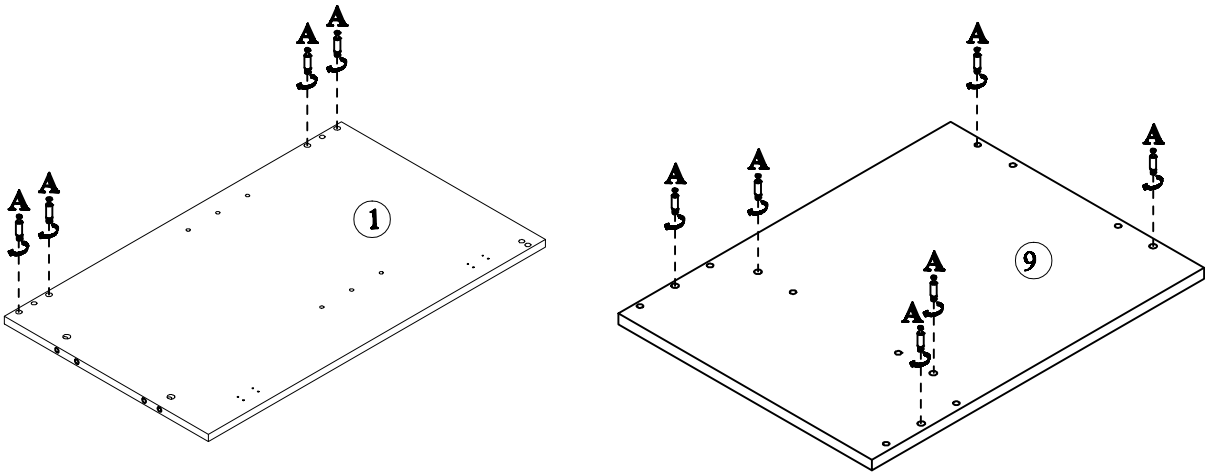
## WARNING!

1. Don't attempt to repair or modify parts that are broken or defective. Please contact the store immediately.
2. This product is for home use only and not intended for commercial establishments.
3. Two persons are required for assembly.
4. Approximate assembly time 1/2 hours.
5. Component parts and fittings contained in the box. Please sort out all parts before you begin to assemble the item. This is to make sure you always use the correct part.
6. It is **STRONGLY RECOMMENDED** that you **ANCHOR** this product to a wall. Tipping furniture can cause serious injuries and death. To prevent your furniture from tipping forward it is strongly recommended that you securely attach this product to a wall or other solid surface, using the anchor straps provided appropriate fittings.

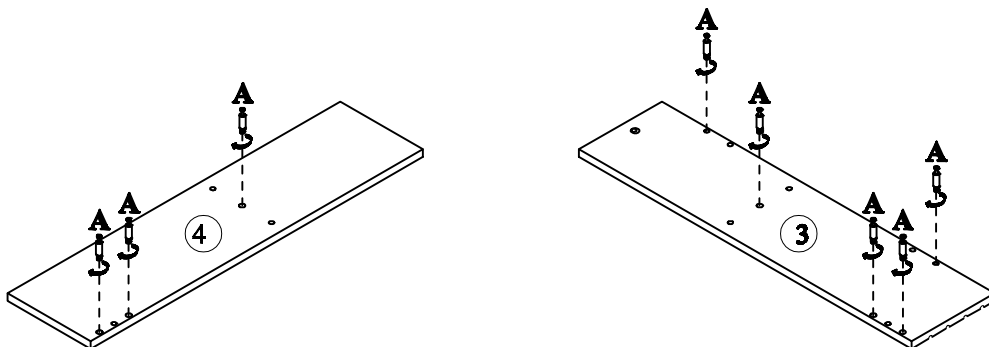
No.	Hardware	Q'ty
A	 Cam Lock Screws	24
B	 Cam Lock	24
C	 Handle	1
D	 Screws ø5/32"x20mm	1
E	 Hinges	2
F	 Screws ø7xø3.5x12mm	12
G	 Shelf Support	4
H	 Screws ø7xø3.5x12mm	4
I	 Wooden ø8x30mm	24
J	 Allen Bolts 1/4" x 28"	2

No.	Hardware	Q'ty
K	 Flat Washers 1/4" x 16 x 1"	2
L	 Allen key	1
M	 Anti fall hardware (sets)	1
 <b>Not included</b>		

**Step 1**

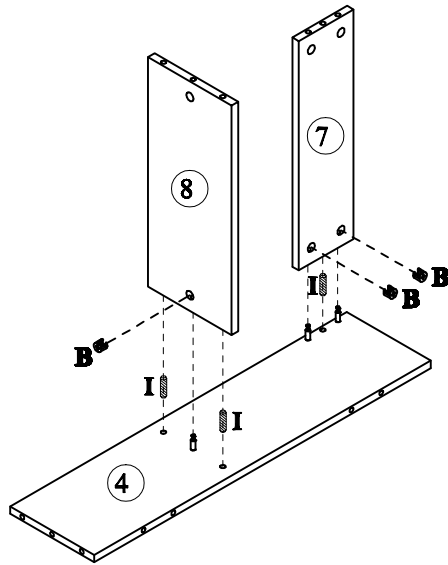


Turn over Panel No.2 and install screw (C)



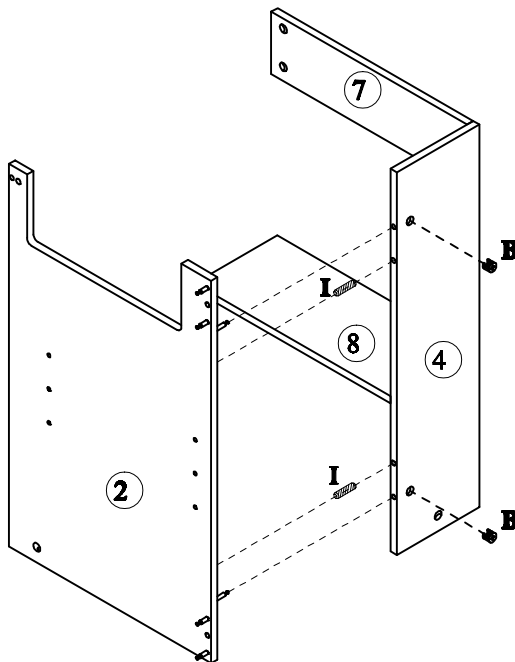
No	Hardware	Q'ty
A	Cam Lock Screws	24

## Step 2



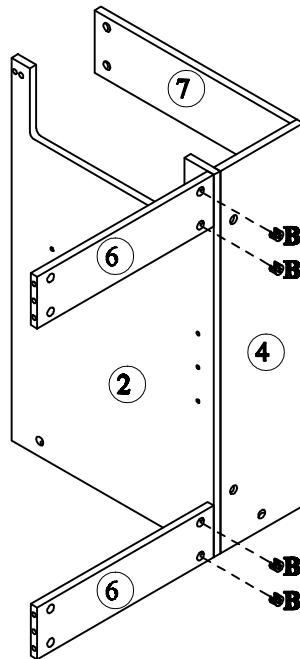
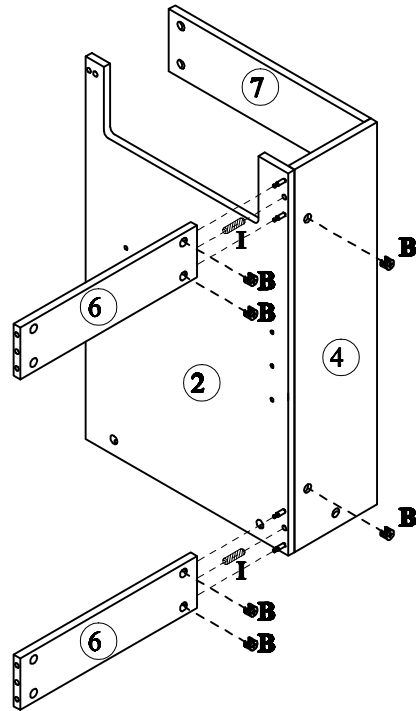
No	Hardware	Q'ty
B	Cam Lock	3
I	Wooden $\varnothing 8 \times 30 \text{mm}$	3

## Step 3



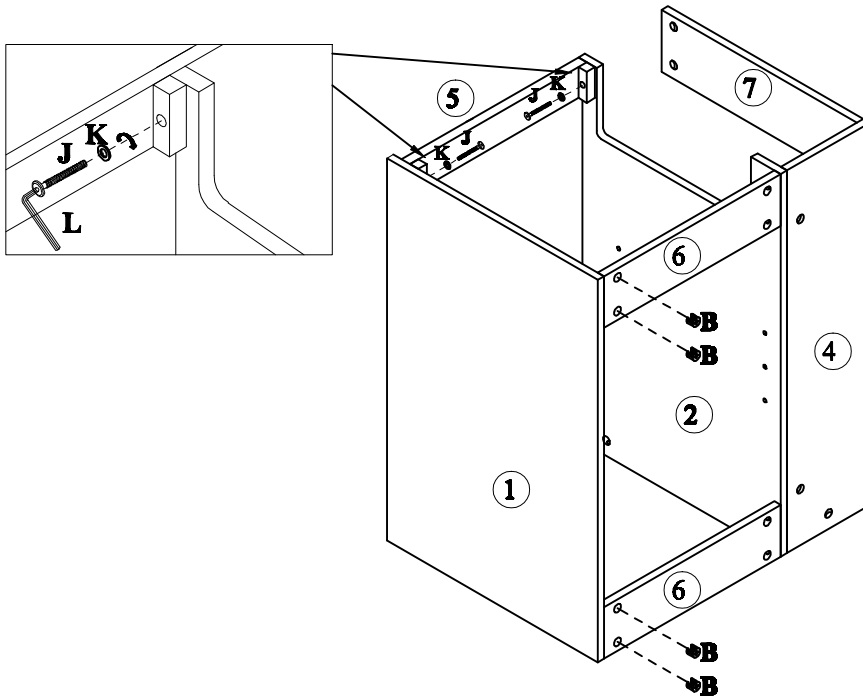
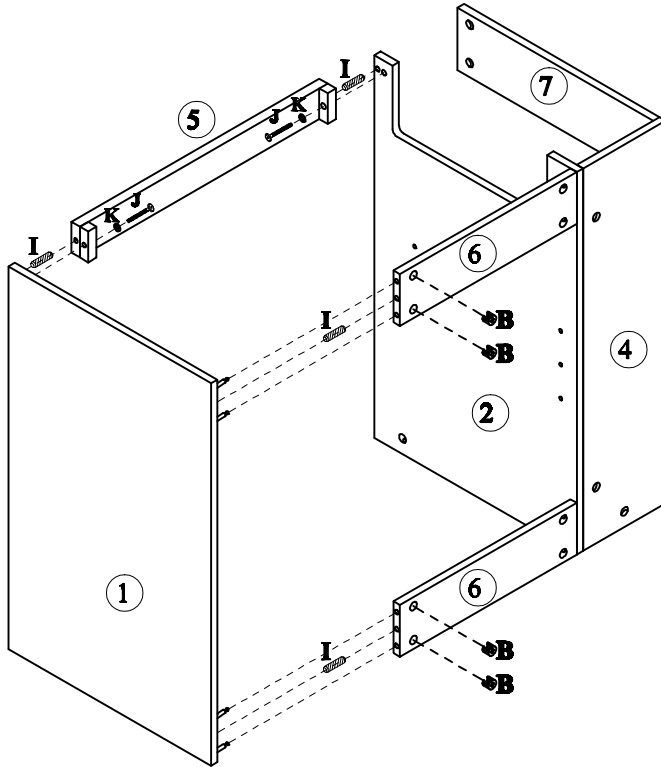
No	Hardware	Q'ty
B	Cam Lock	2
I	Wooden $\varnothing 8 \times 30 \text{mm}$	2

**Step 4**



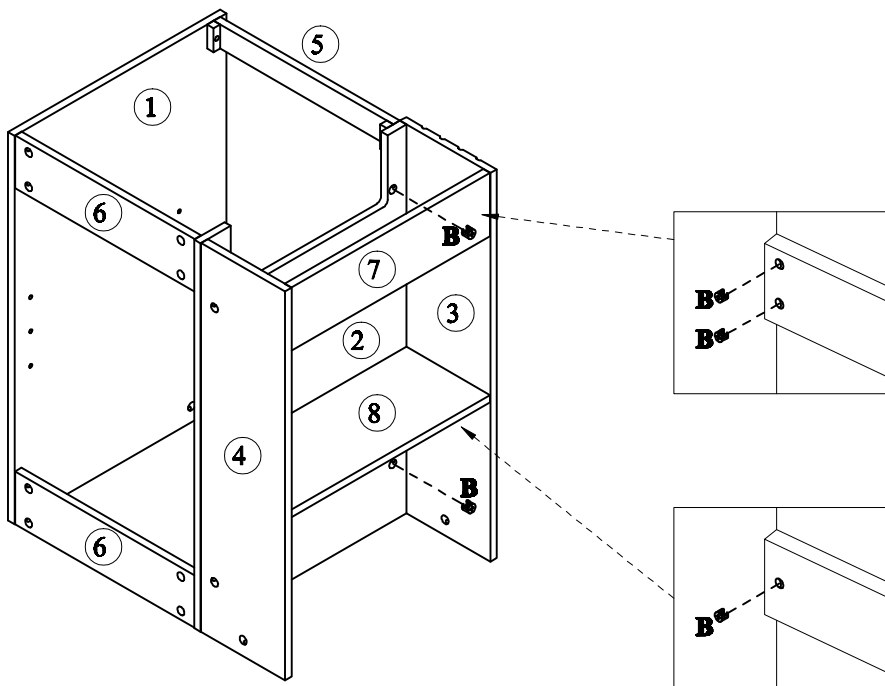
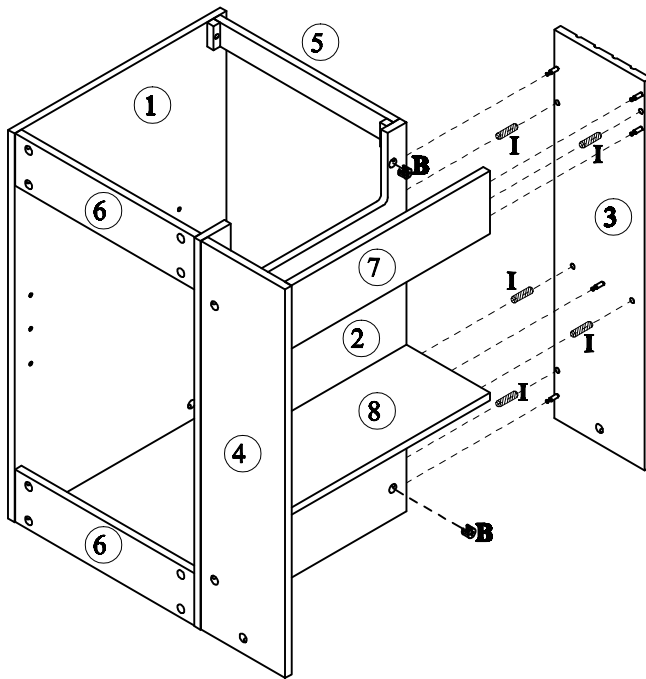
No	Hardware	Q'ty
B	Cam Lock	4
I	Wooden ø8x30mm	2

**Step 5**



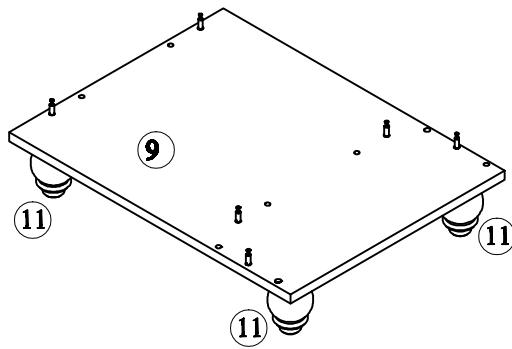
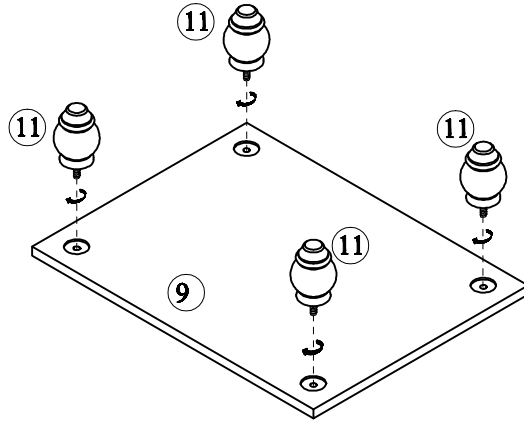
No	Hardware	Q'ty
L	Allen key	1
J	Allen Bolts 1/4" x 28	2
K	Flat Washers 1/4"x16x1	2
B	Cam Lock	4
I	Wooden ø8x30mm	4

**Step 6**

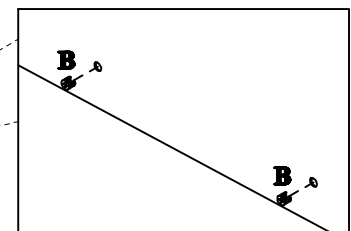
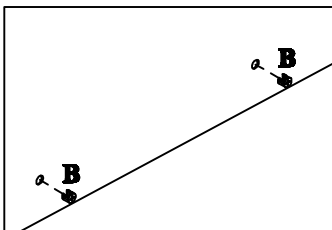
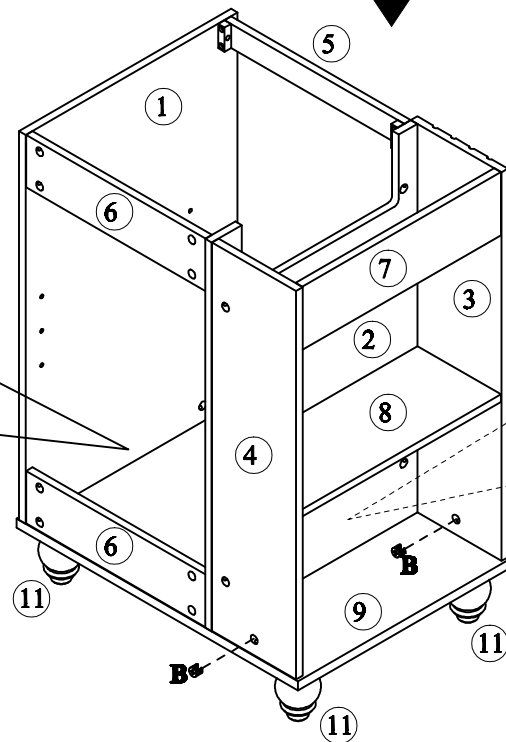
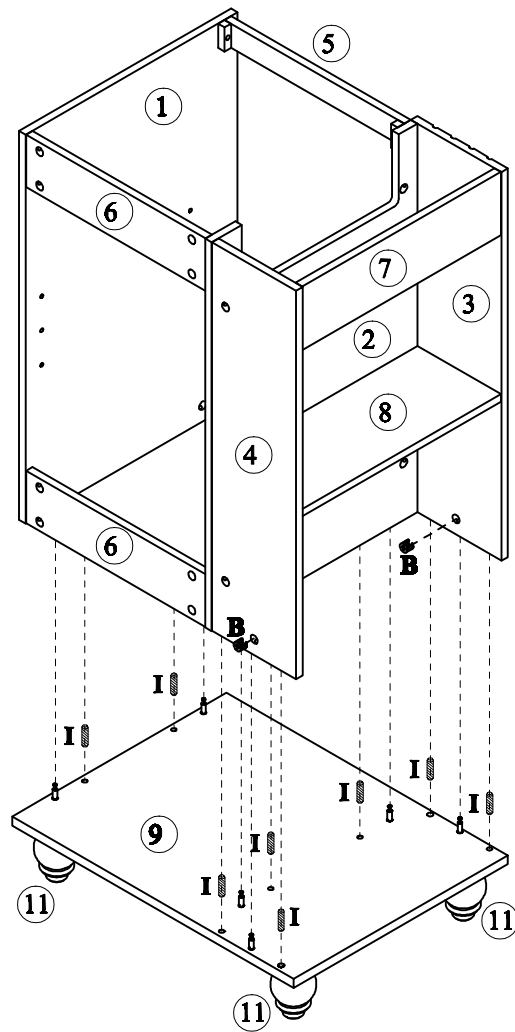


No	Hardware	Q'ty
B	Cam Lock	5
I	Wooden ø8x30mm	5

**Step 7**

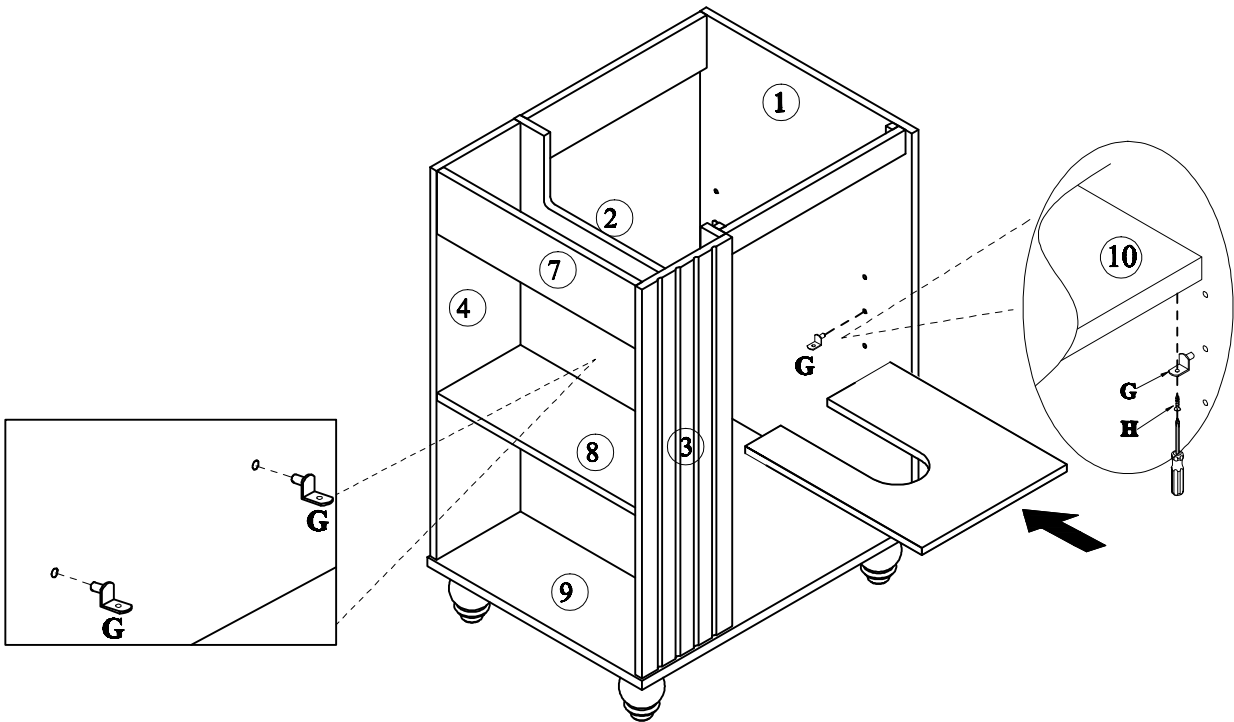


**Step 8**



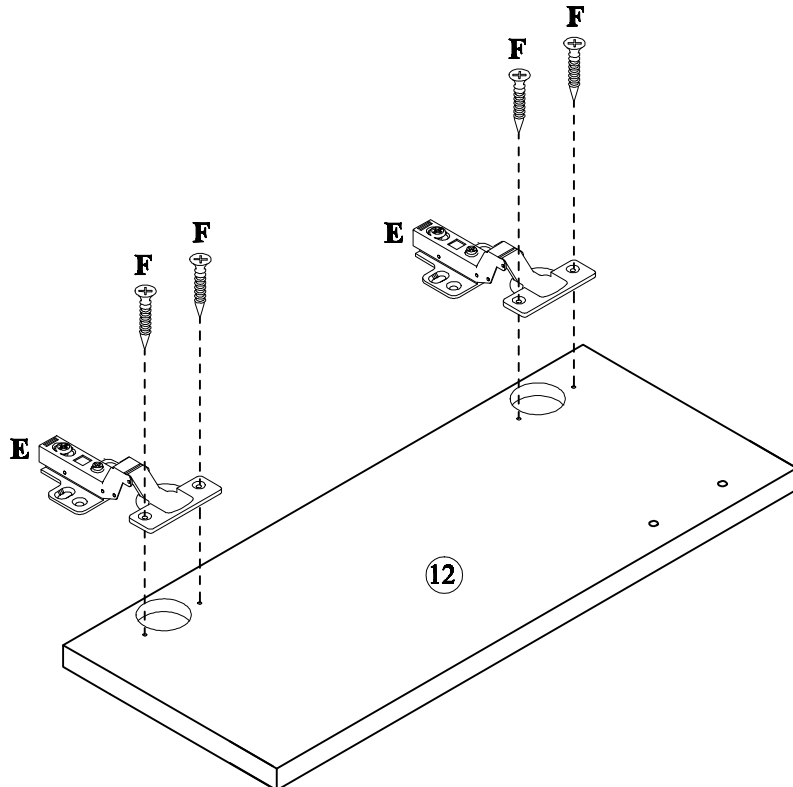
No	Hardware	Q'ty
B	Cam Lock	6
I	Wooden ø8x30mm	8

### Step 9



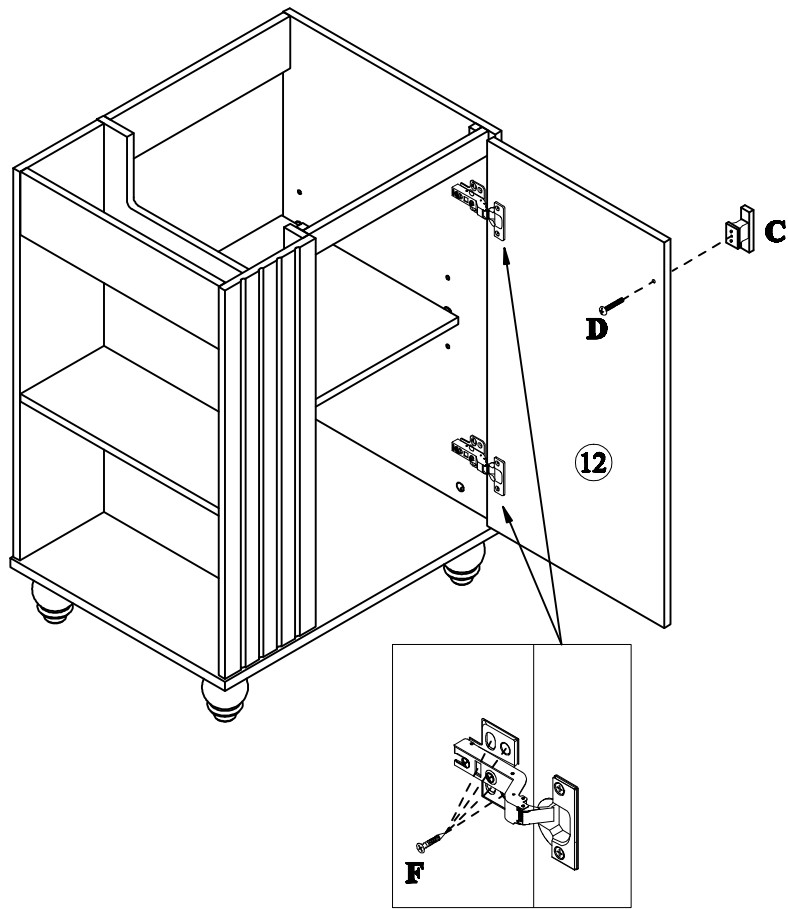
No	Hardware	Q'ty
G	Shelf Support	4
H	Screws $\varnothing 7 \times \varnothing 3.5 \times 12 \text{mm}$	4

### Step 10

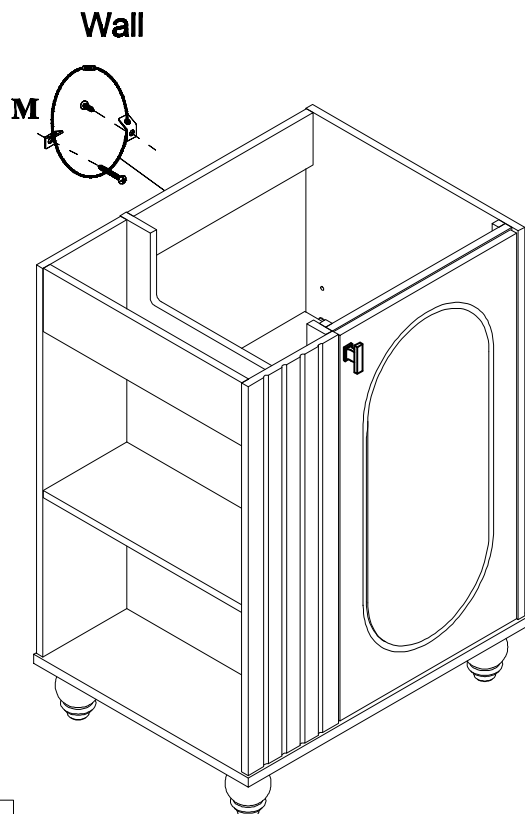


No	Hardware	Q'ty
E	Hinges	2
F	Screws $\varnothing 7 \times \varnothing 3.5 \times 12 \text{mm}$	4

### Step 11

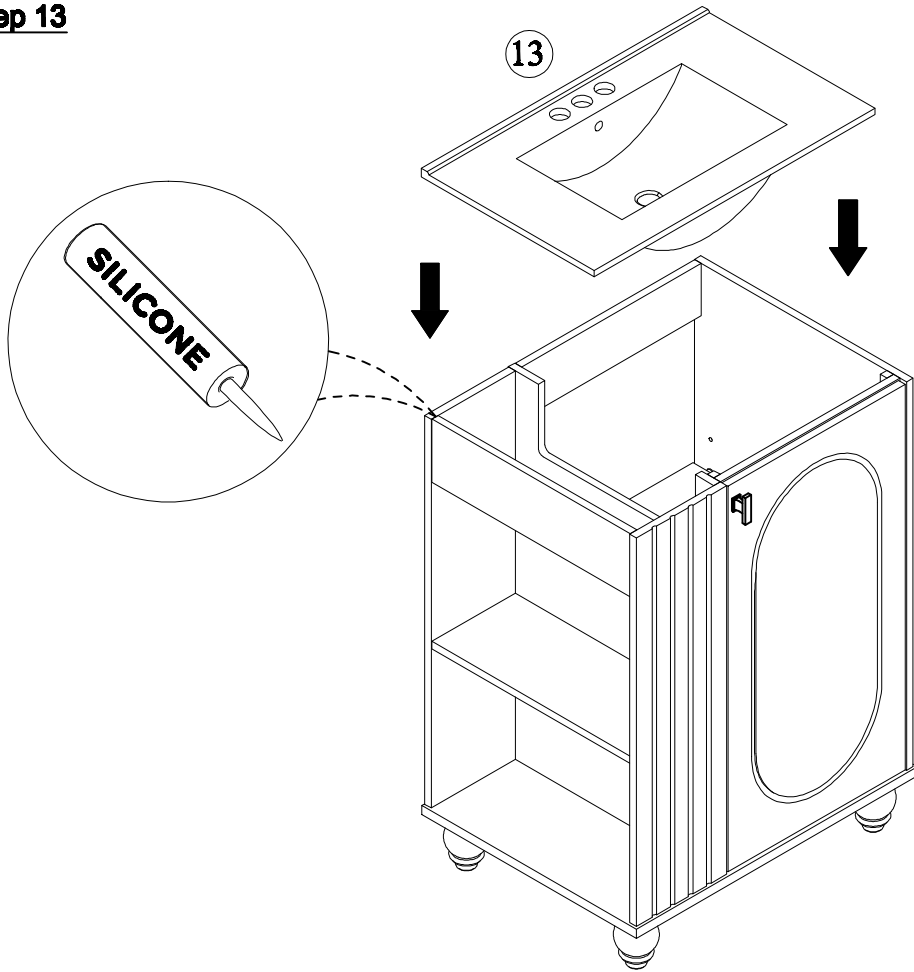


### Step 12



No	Hardware	Q'ty
F	Screws $\phi 7 \times \phi 3.5 \times 12 \text{mm}$	8
C	Handle	1
D	Screws $\phi 5/32" \times 20 \text{mm}$	1
M	Anti fall hardware	1

**Step 13**



**Step 14**

