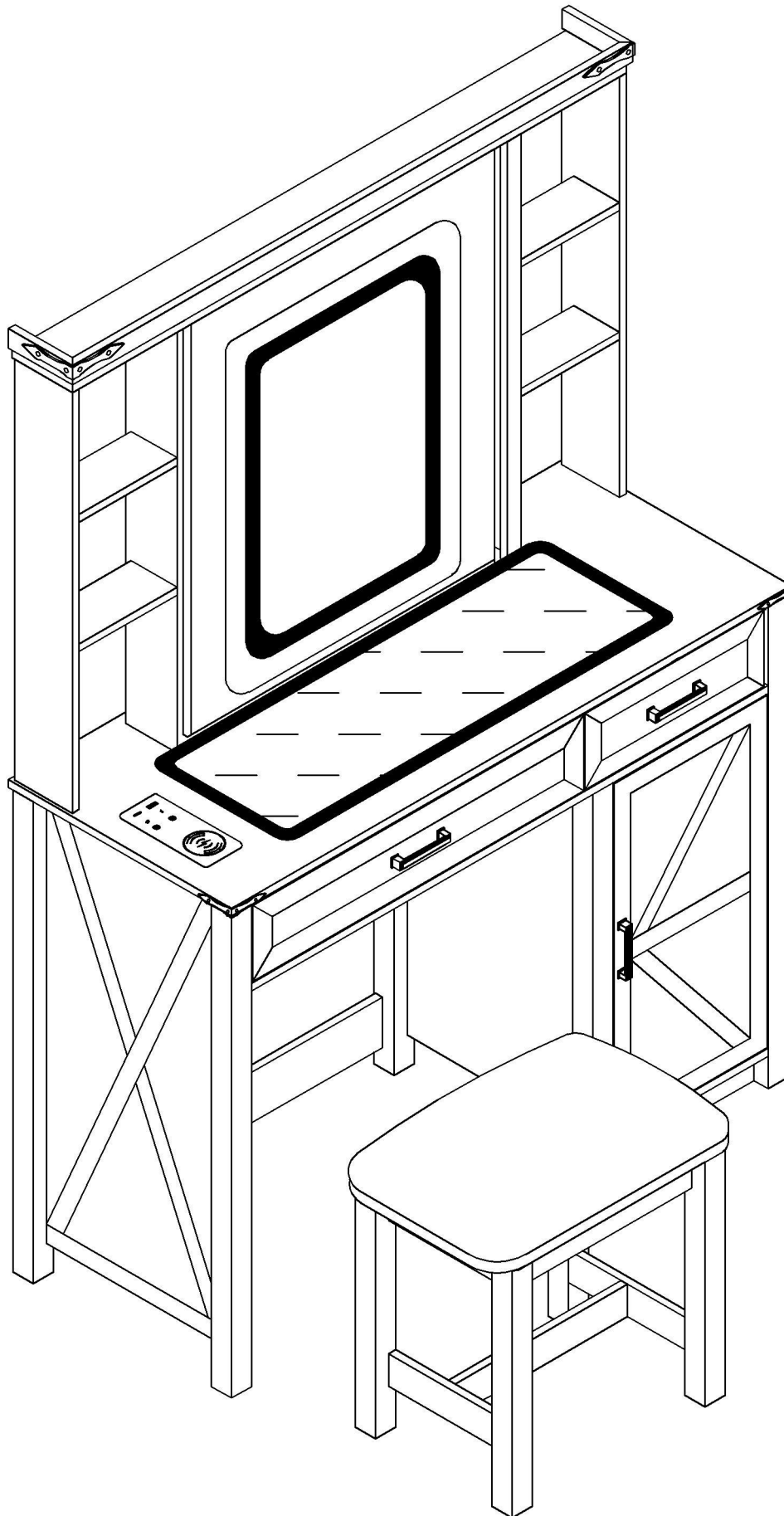
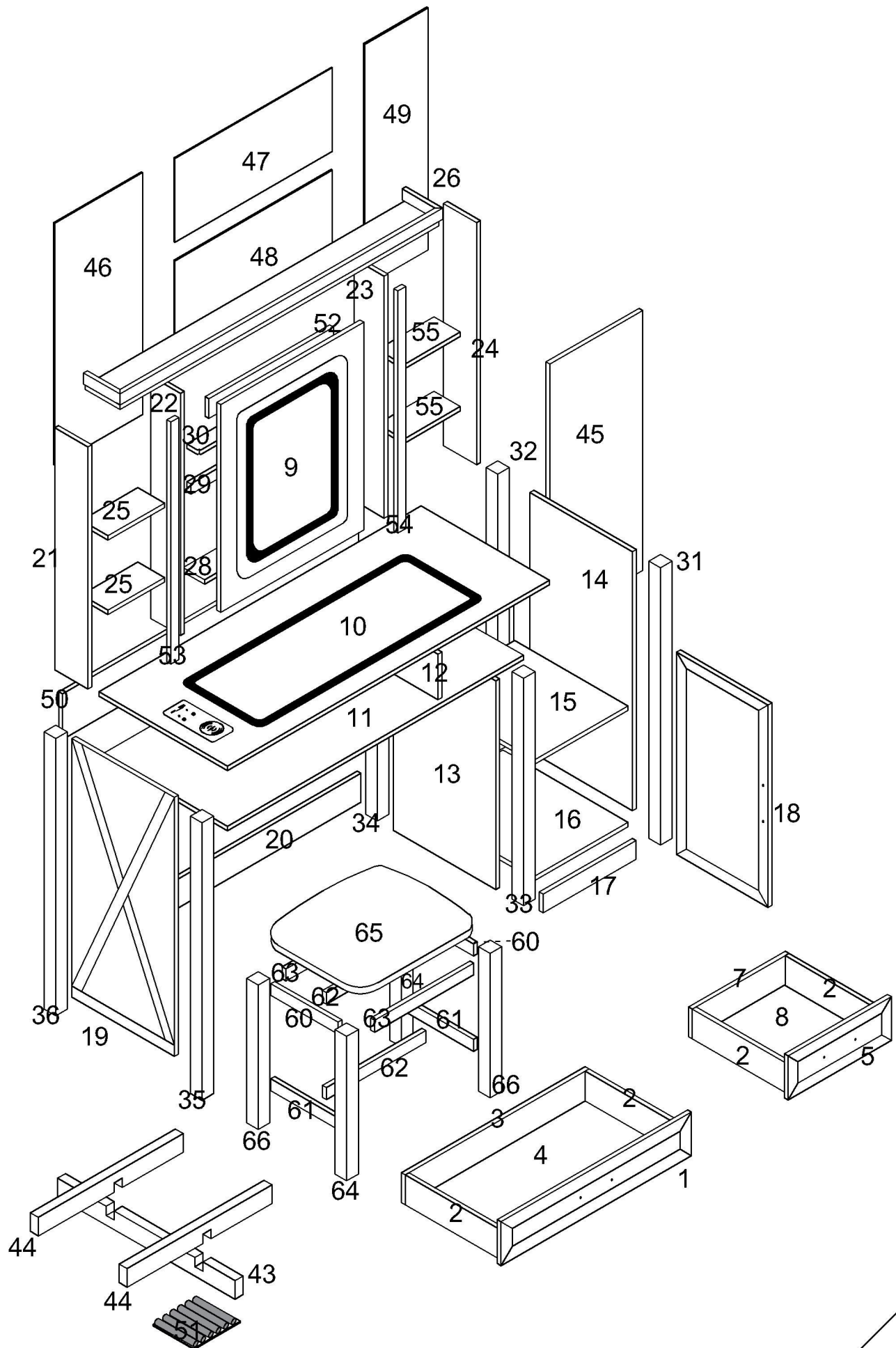


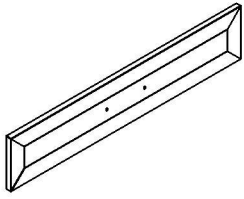
Vanity Table Manual 85041



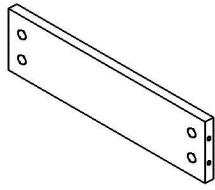
Vanity Table Manual 85041



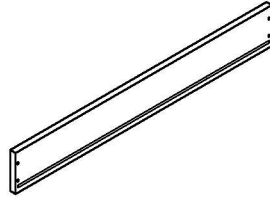
Hardware list



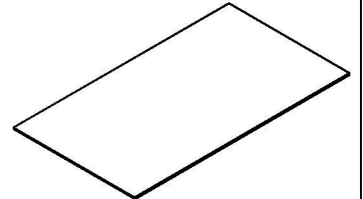
1x1



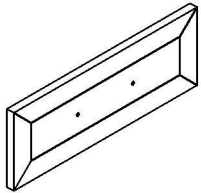
2x4



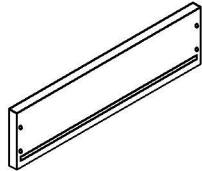
3x1



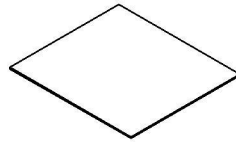
4x1



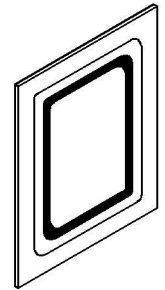
5x1



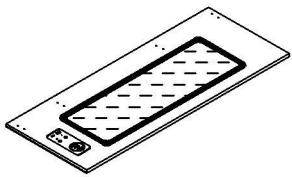
7x1



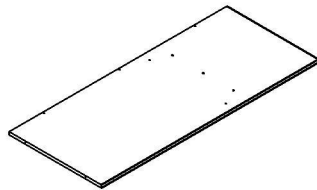
8x1



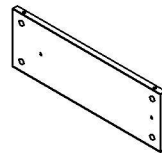
9x1



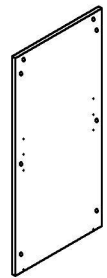
10x1



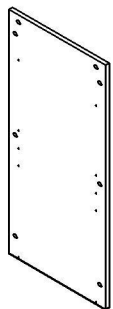
11x1



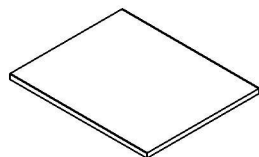
12x1



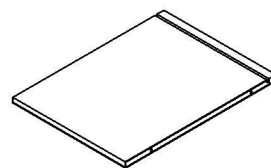
13x1



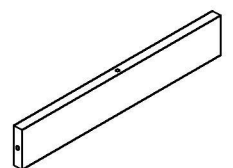
14x1



15x1

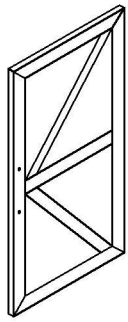


16x1

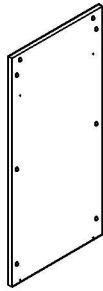


17x1

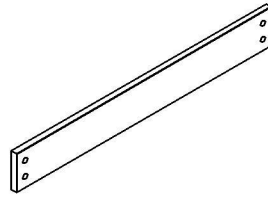
Hardware list



18x1



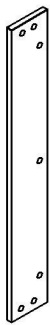
19x1



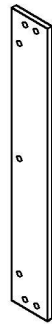
20x1



21x1



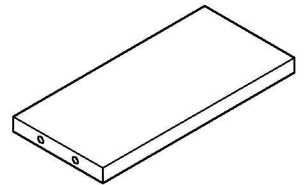
22x1



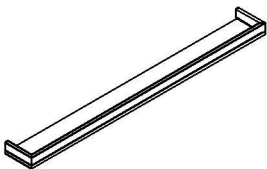
23x1



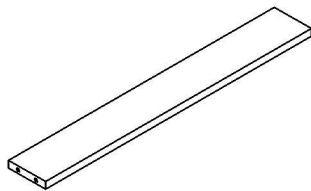
24x1



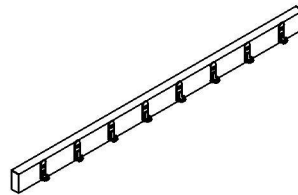
25x2



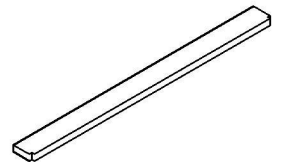
26x1



28x1



29x1



30x1



31x1



32x1



33x1



34x1

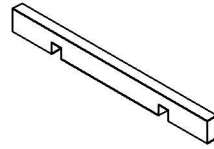
Hardware list



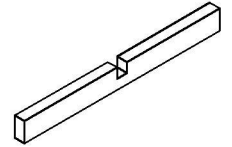
35x1



36x1



43x1



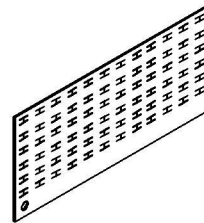
44x2



45x1

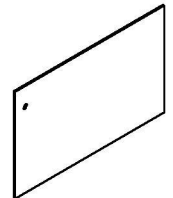


46x1

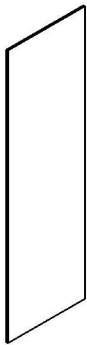


The plate has been affixed with ring cotton

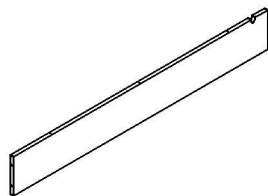
47x1



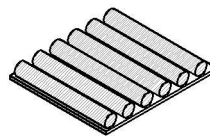
48x1



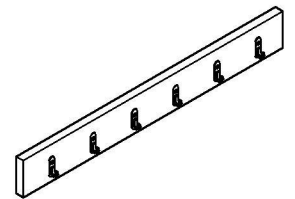
49x1



50x1



51x1



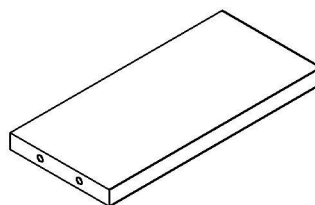
52x1



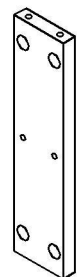
53x1



54x1

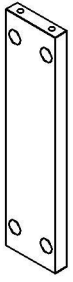


55x2

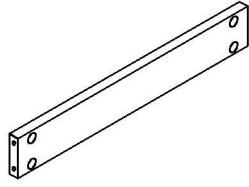


60x2

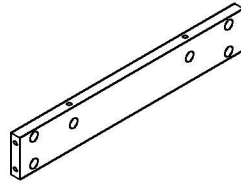
Hardware list



61x2



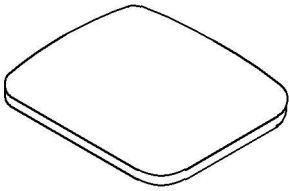
62x2



63x2



64x2

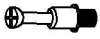

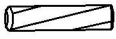













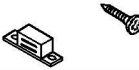



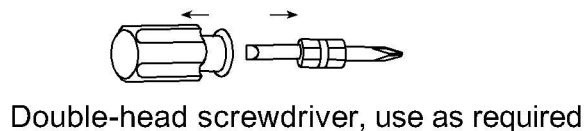
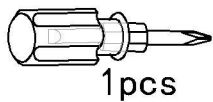
65x1



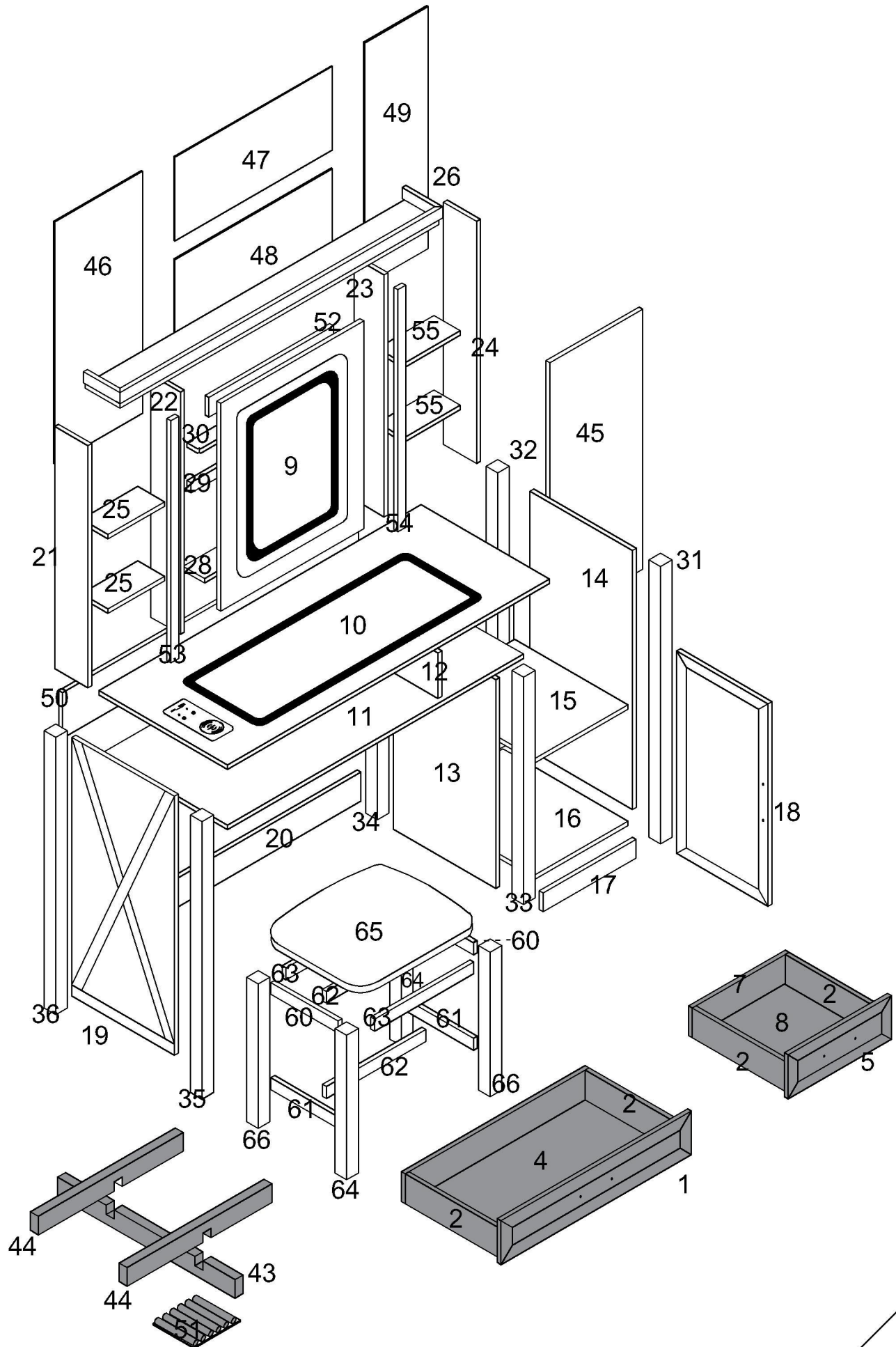
66x2

Accessories list

①		Two in one screw (6x28mm)	154pcs +6pcs
②		Two in one nut (10x12mm)	154pcs +6pcs
③		Wood chipping (6x30mm)	8pcs +4pcs
④		Handle & screw (4x8mm)	2pcs / 4pcs +1pcs
⑤		Cabinet door hinge & Screw (3.5x12mm)	4pcs / 16pcs +2pcs
⑥		Guide & Screw (3.5x12mm)	4pcs / 20pcs +4pcs
⑦		Laminate support nail	4pcs
⑧		Protective sticker	8pcs
⑨		Handle & screw (4x16mm)	1pcs / 2pcs +1pcs
⑩		Lock & Screwscrew(3.5x12)	1pcs / 4pcs
⑪		Clamp	2pcs
⑫		Screw (4x14mm)	1pcs
⑬		Back plate buckle & Screw (3x16mm)	19pcs
⑭		Countersunk head tapping screw (4x45mm)	1pcs
⑮		anti-tipping tape	1pcs
⑯		Countersunk head tapping screw(4x16mm) gasket	1pcs
⑰		Lipstick case	1pcs
⑱		Foot pads spare (36x36x2)	4pcs
⑲		lamp	1pcs
⑳		The power adapter	1pcs
㉑		screw(4x20)	1pcs
㉒		Magnetic attraction & screw (3x10mm)	1pcs / 2pcs
㉓		screw(3.5x16)	2pcs

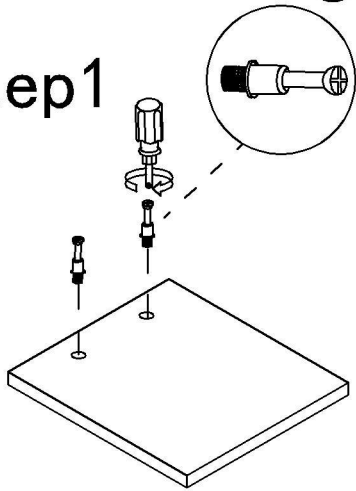


Vanity Table Manual 85041

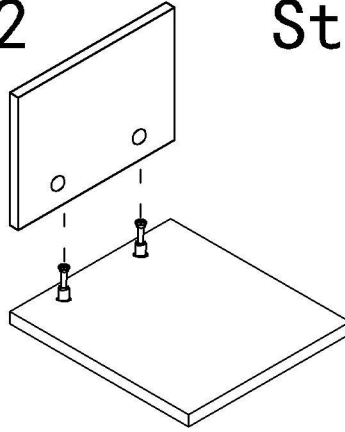


Use parts ① and ②

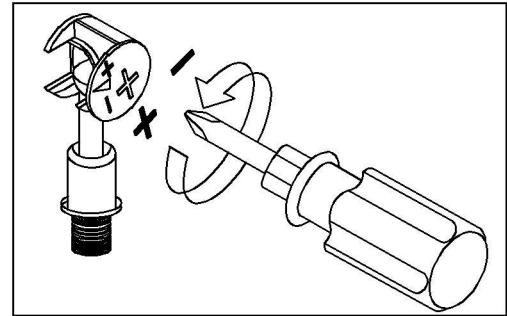
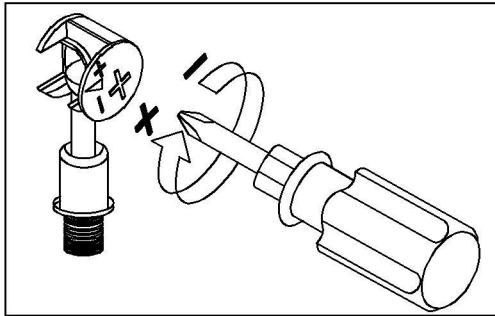
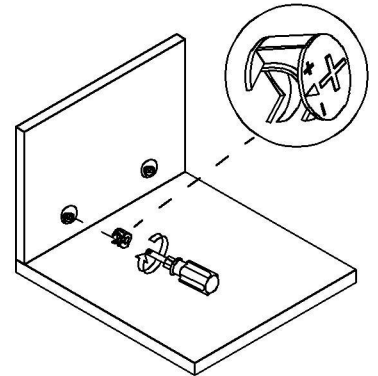
Step1



Step2



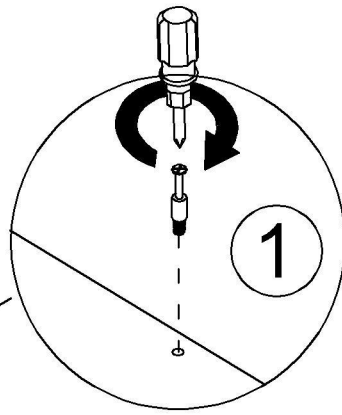
Step3

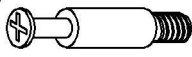
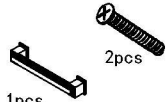


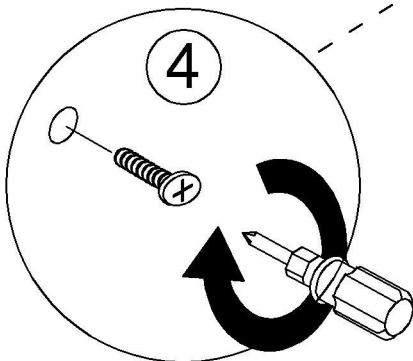
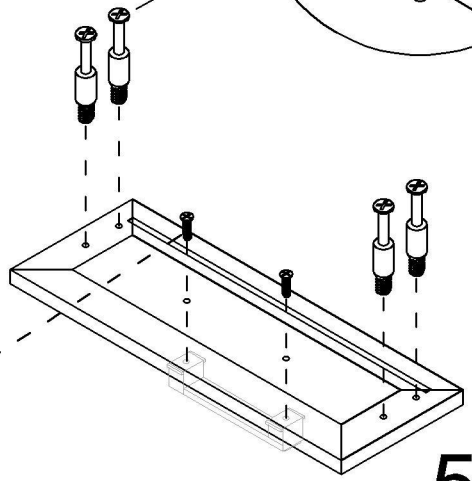
Use a screwdriver to lock in the direction of the "+" sign

Disassemble along the direction of "-" sign

Step 1



- ①  x 4
- ①  2pcs x 4
1pcs



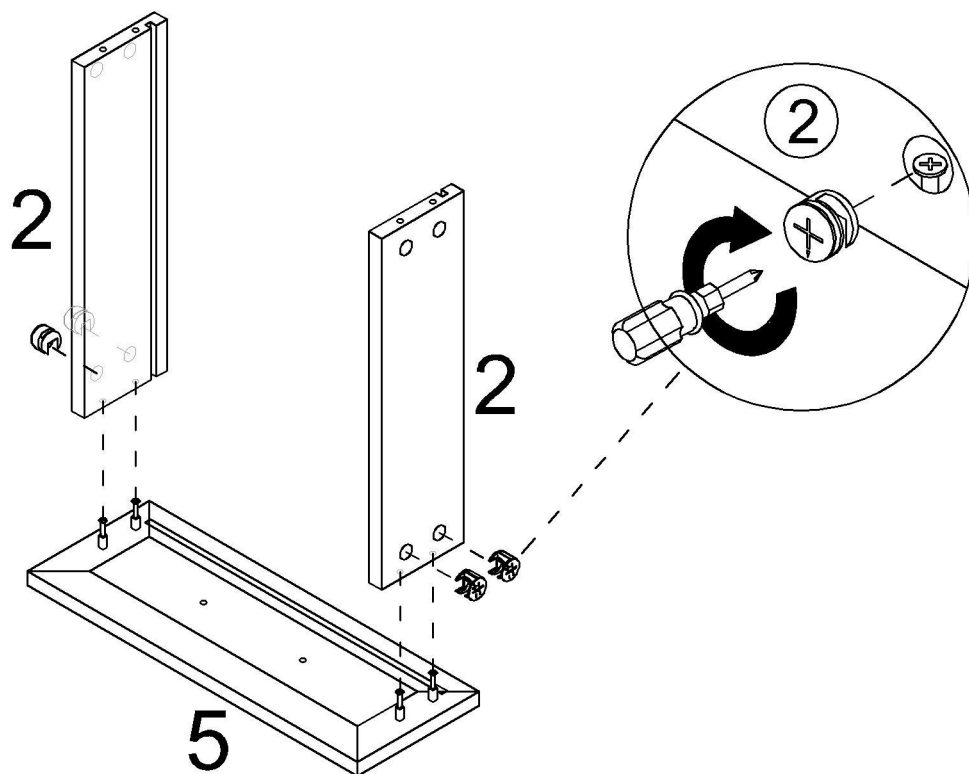
8

Step 2

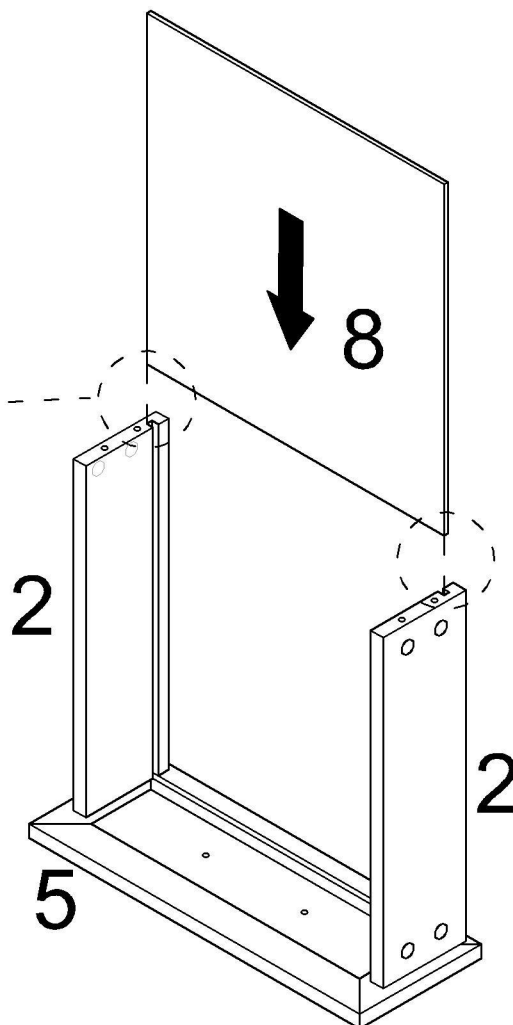
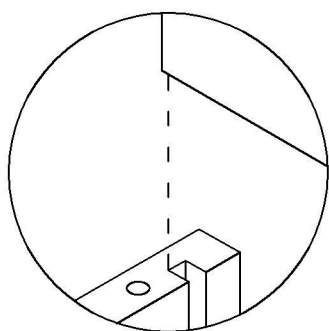
2



x 4

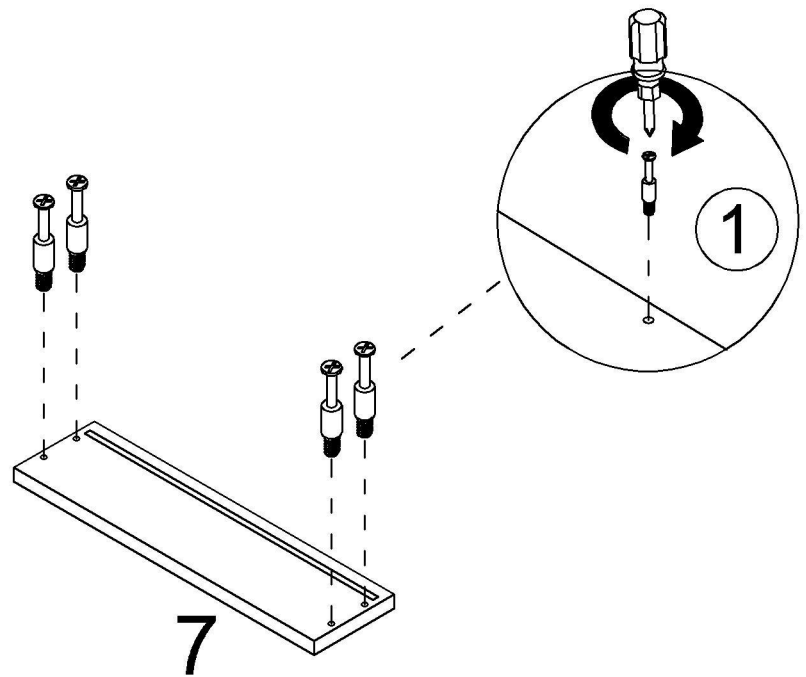
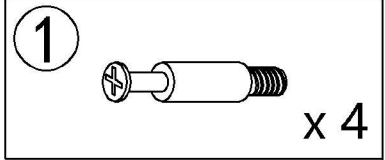


Step 3

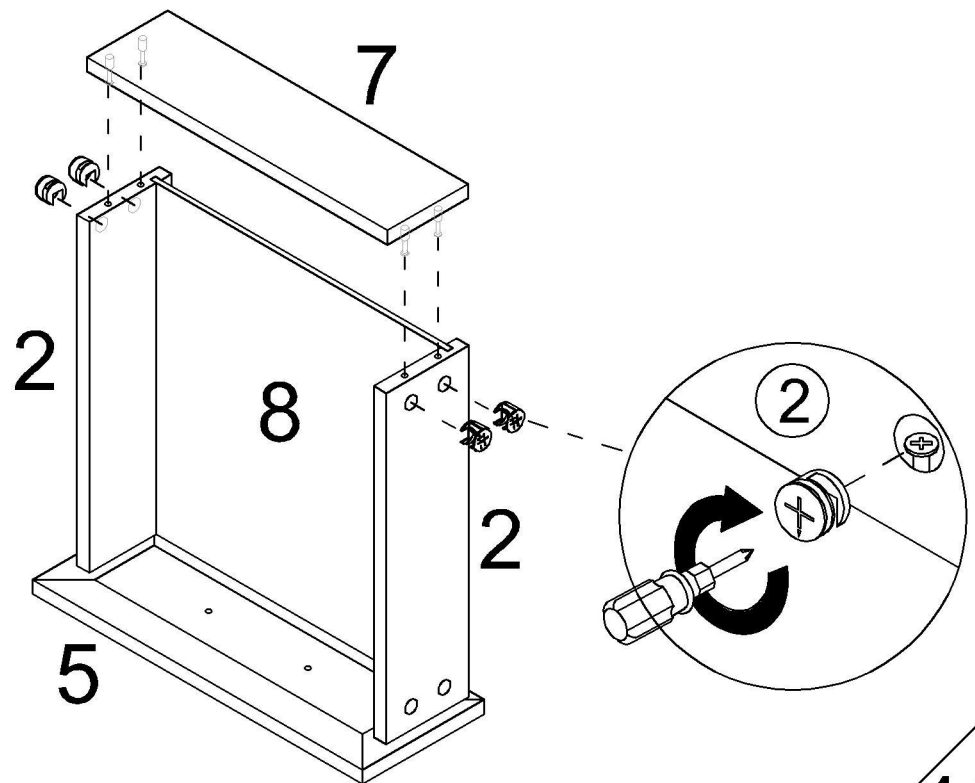
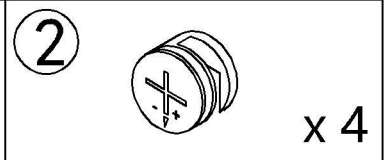


9

Step 4

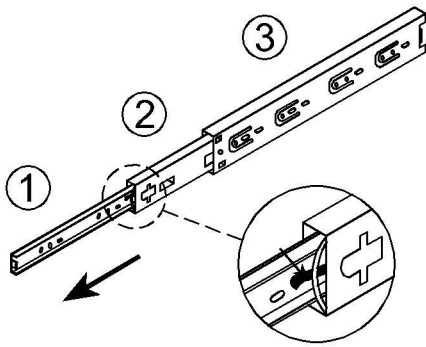


Step 5



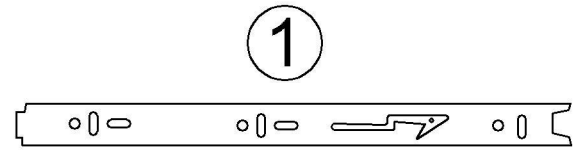
Step 6

Drawer rail breakdown diagram



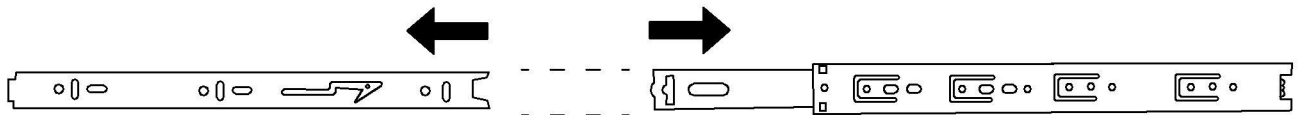
Step 1 : Pull the rails apart

Step 2 : Push the nylon buckle outward ①



②

③

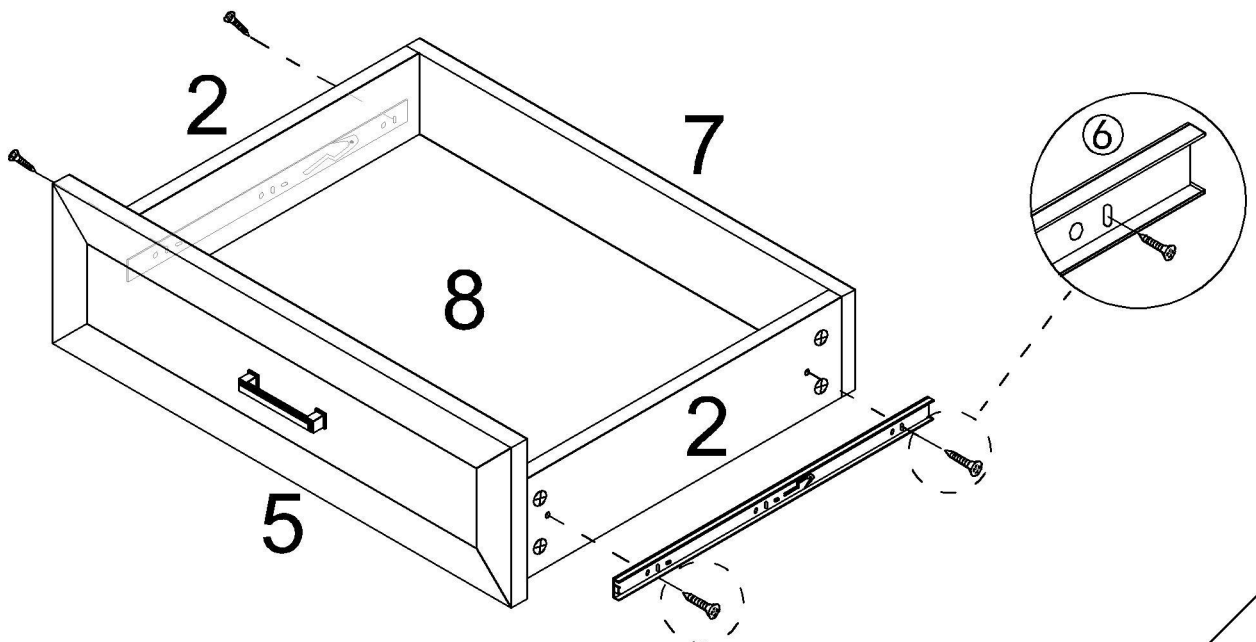
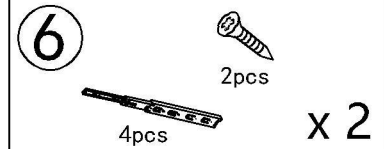
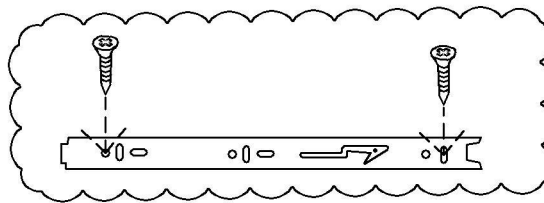


①

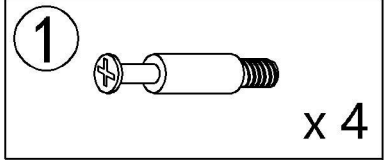
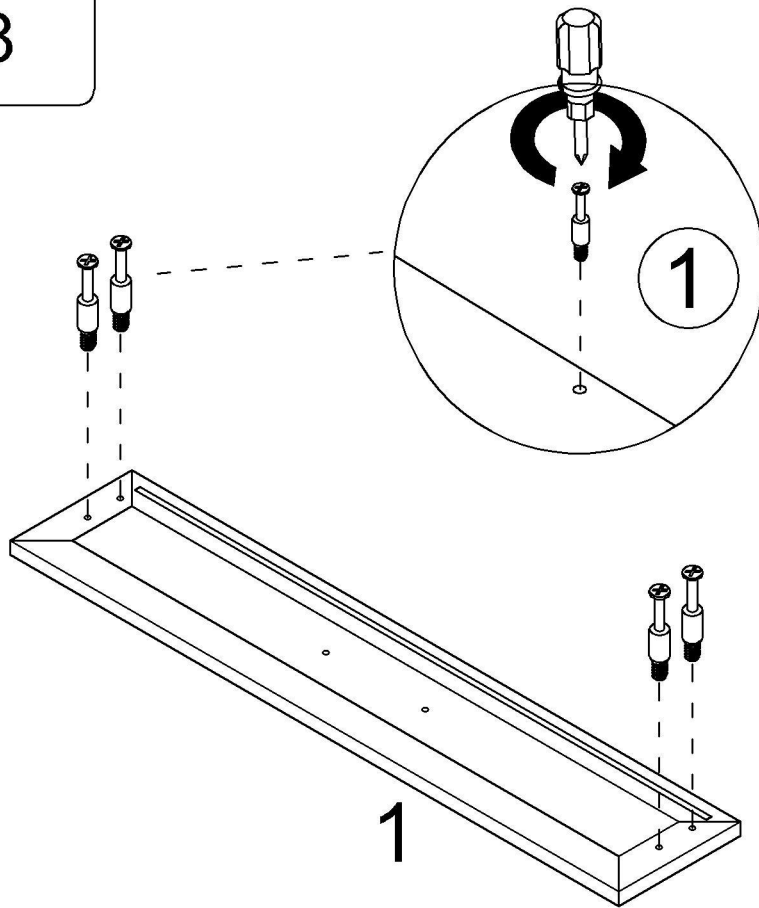
②

③

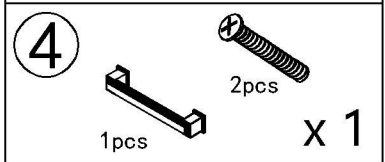
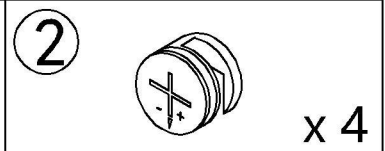
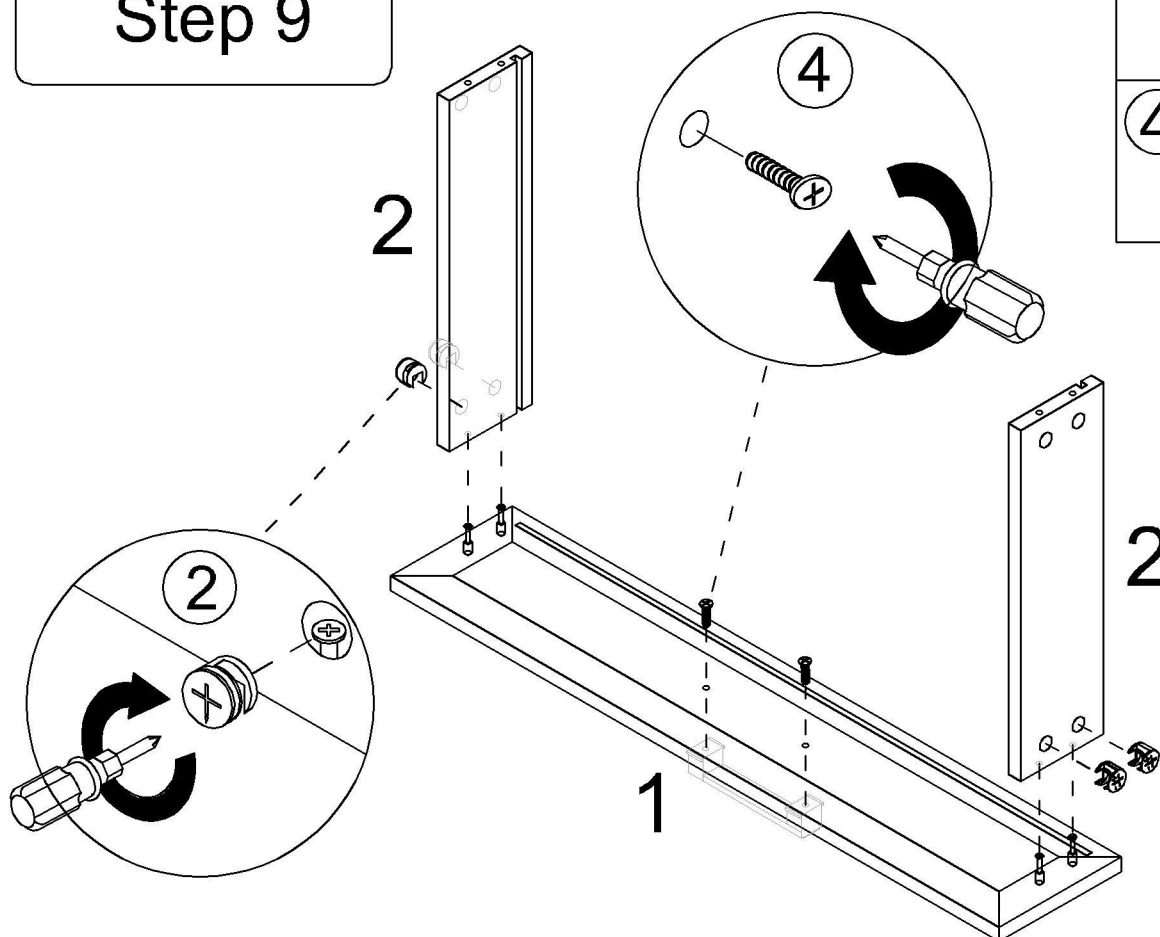
Step 7



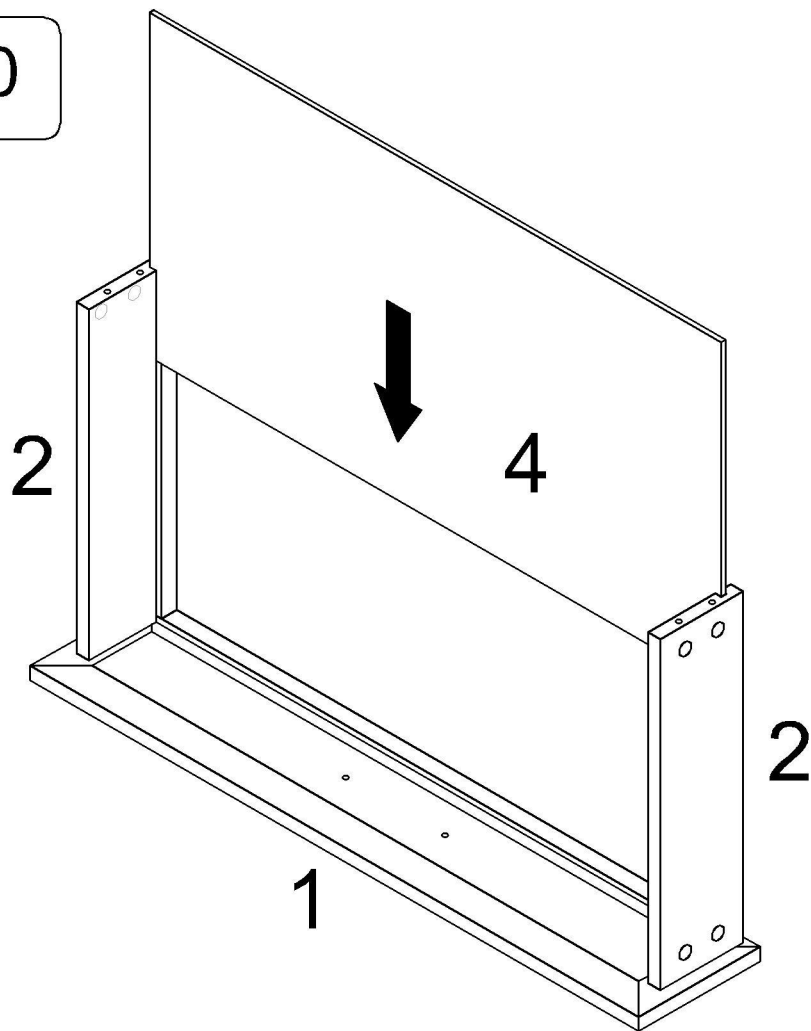
Step 8



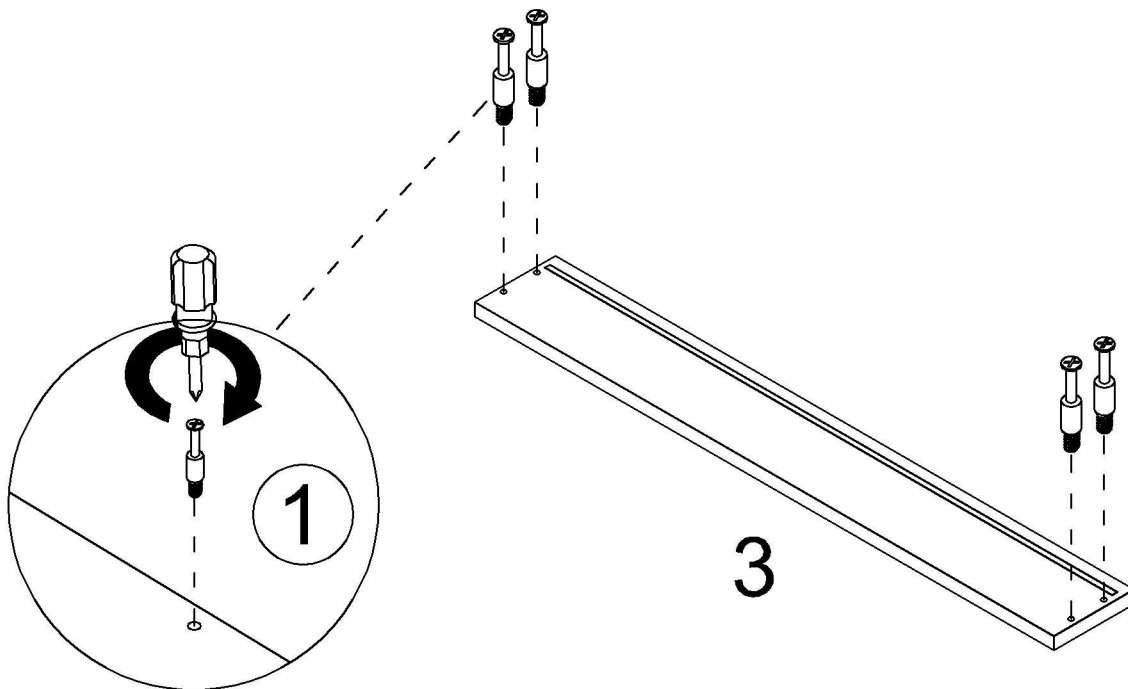
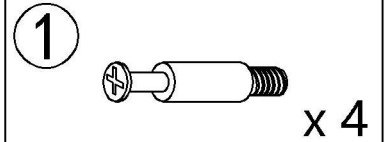
Step 9



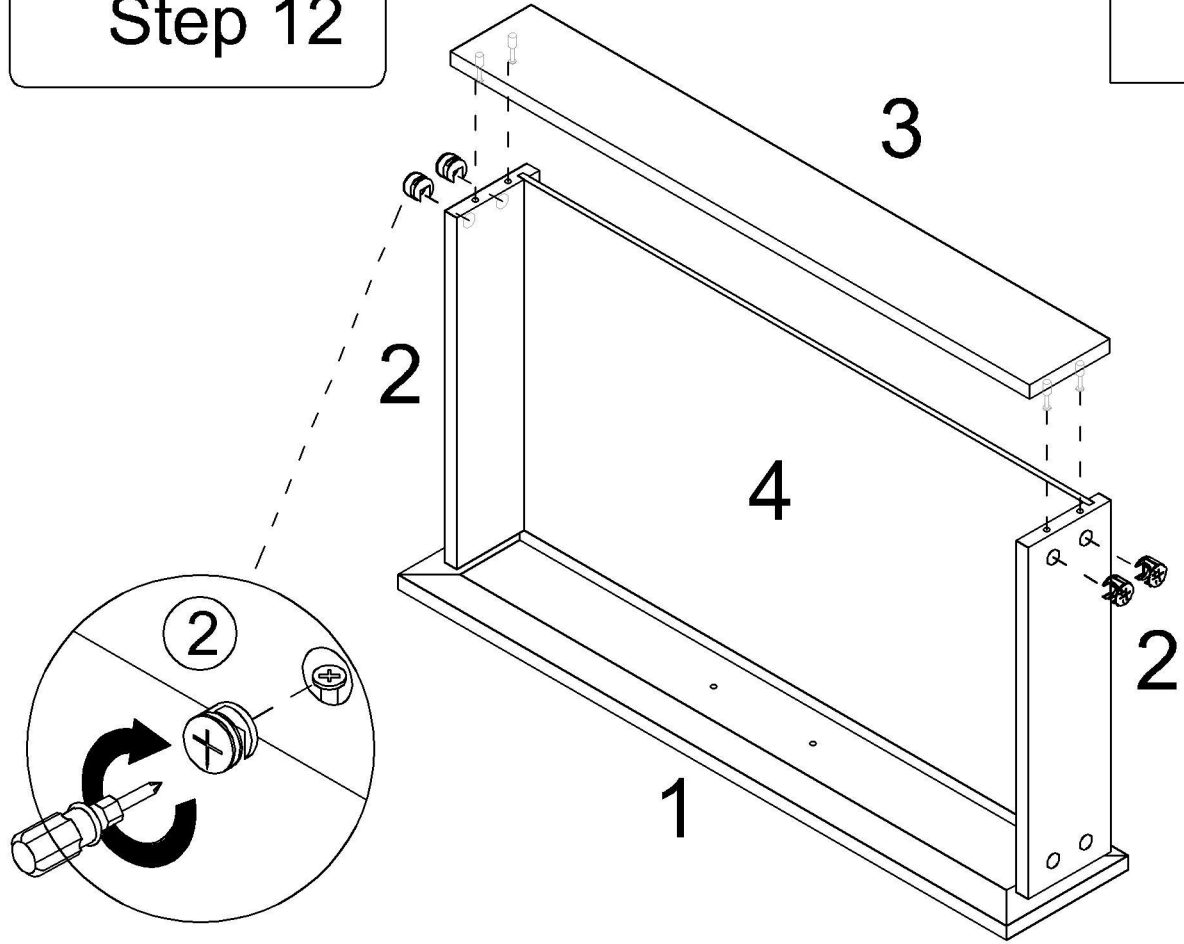
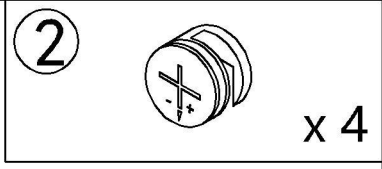
Step 10



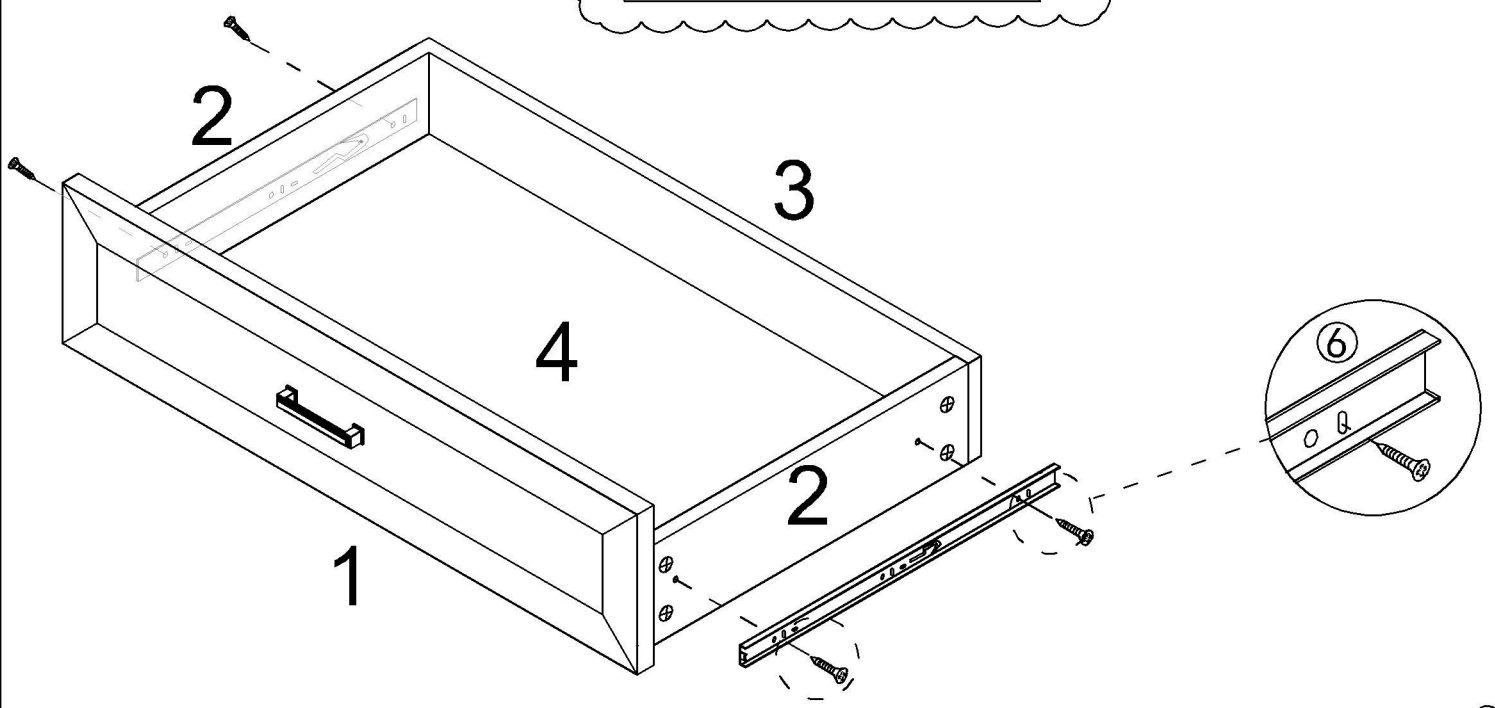
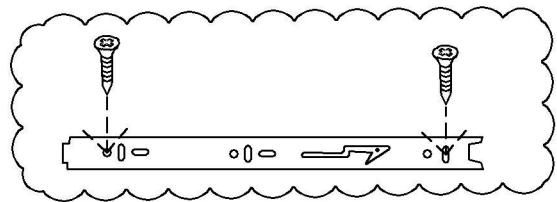
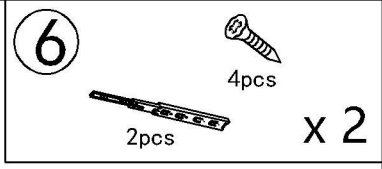
Step 11



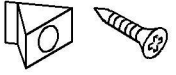
Step 12

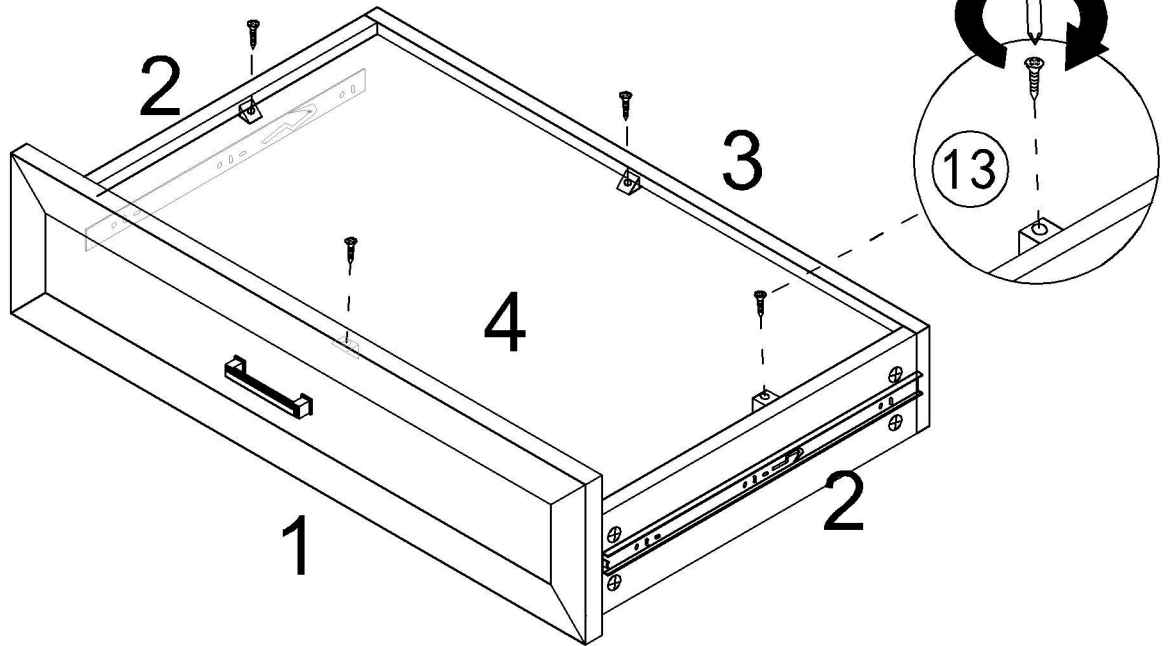


Step 13

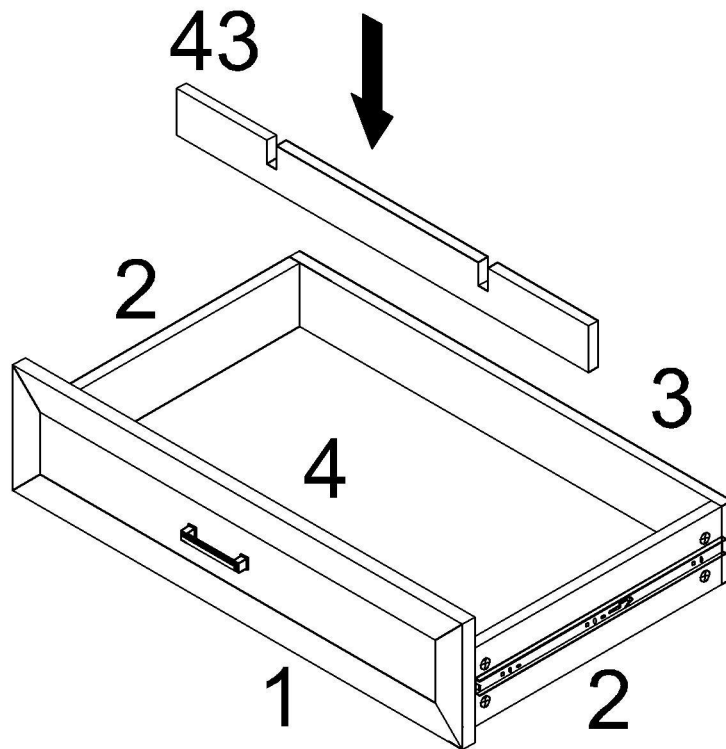


Step 14

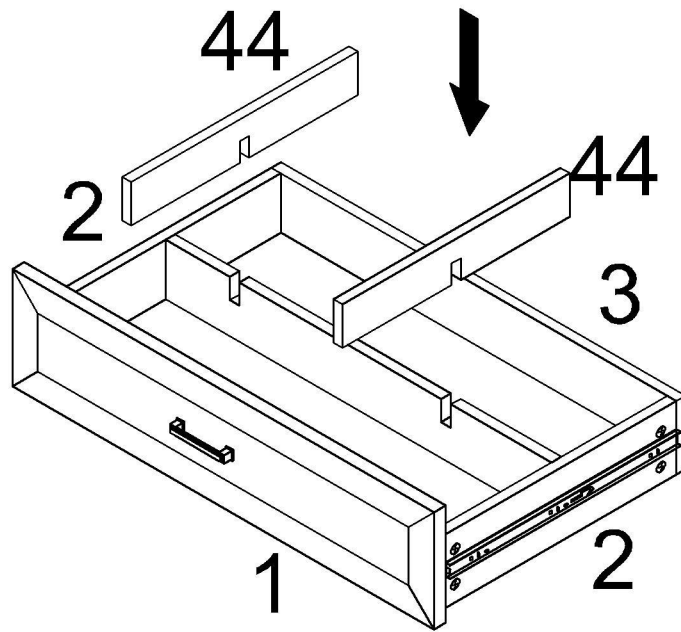
13  x 4



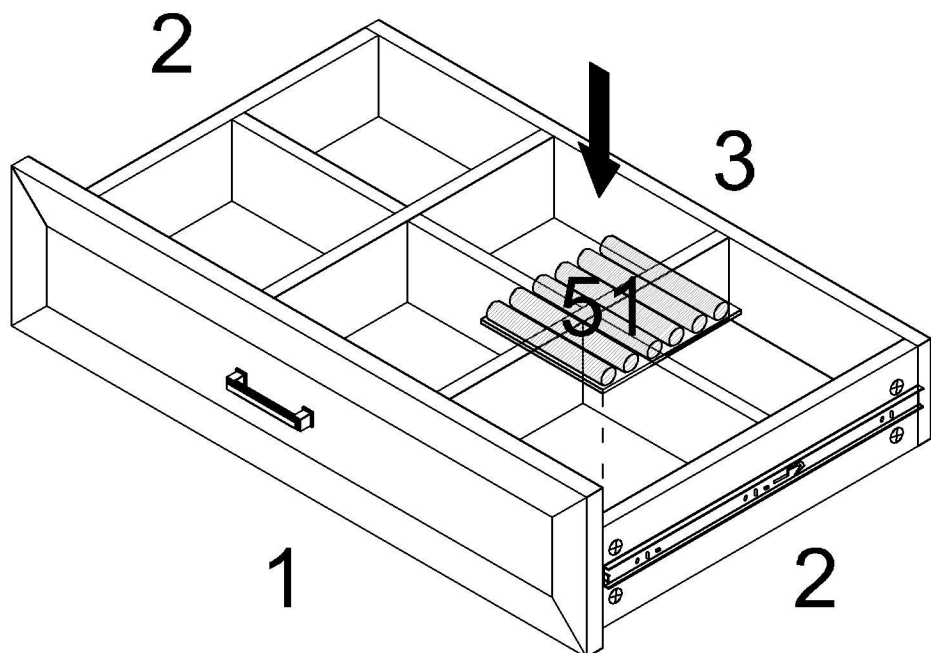
Step 15



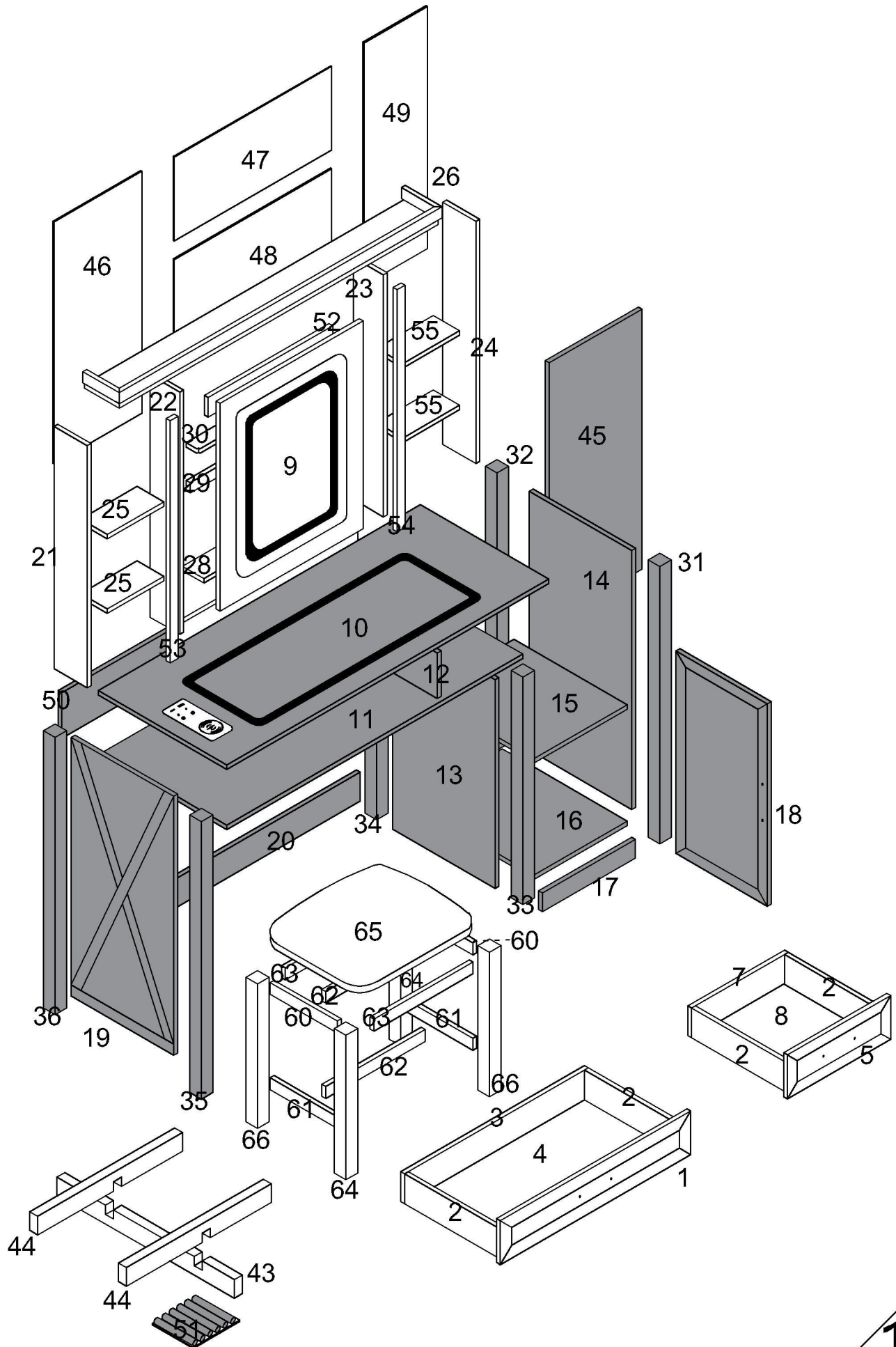
Step 16



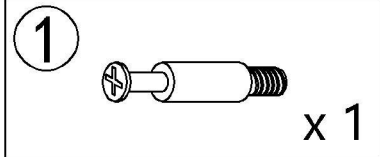
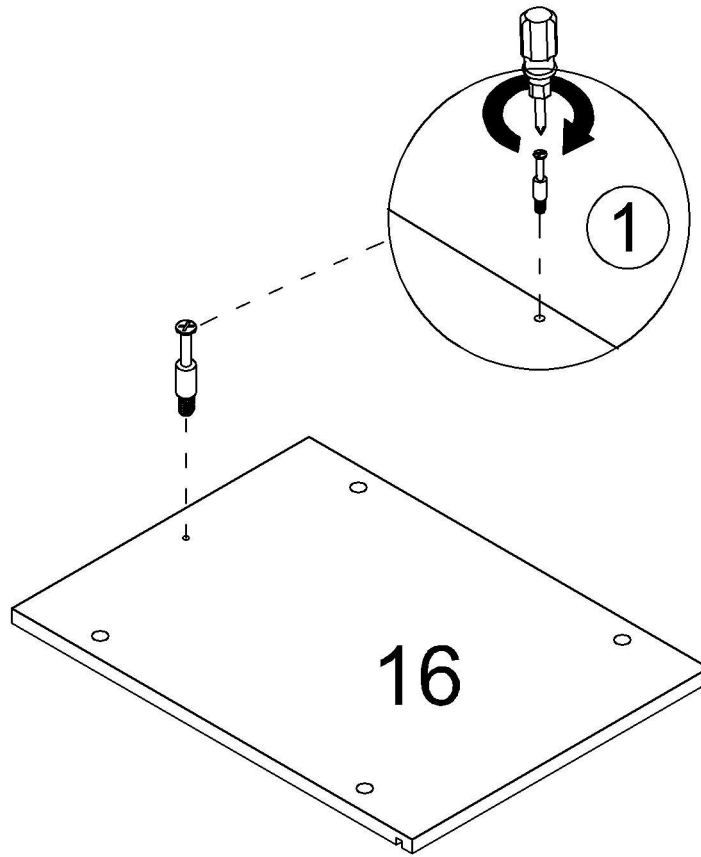
Step 17



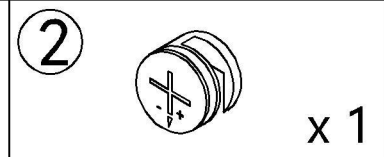
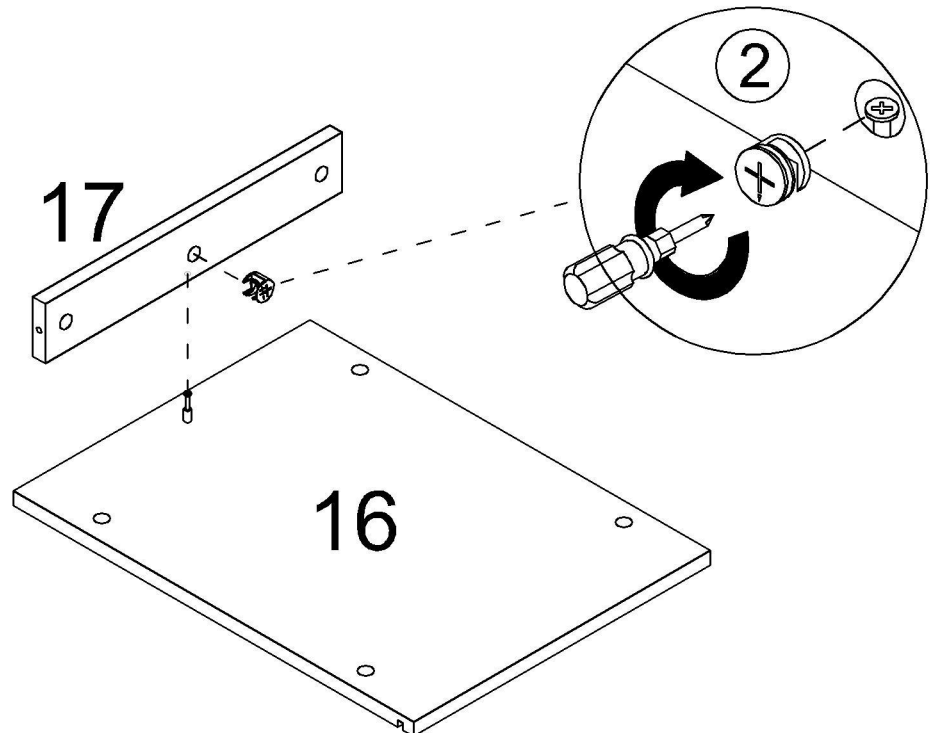
Vanity Table Manual 85041



Step 18



Step 19

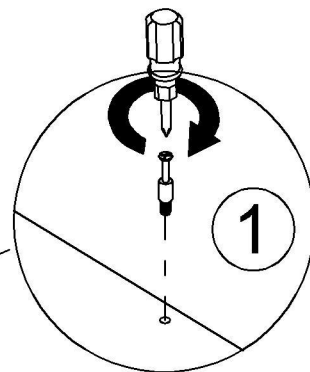
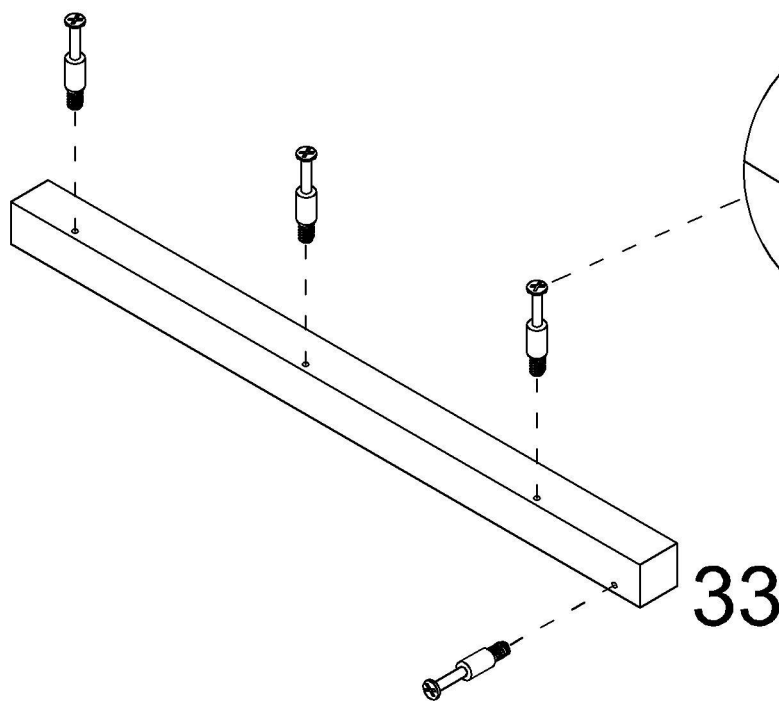


Step 20

1

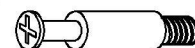


x 4

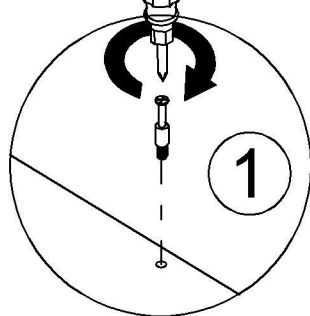
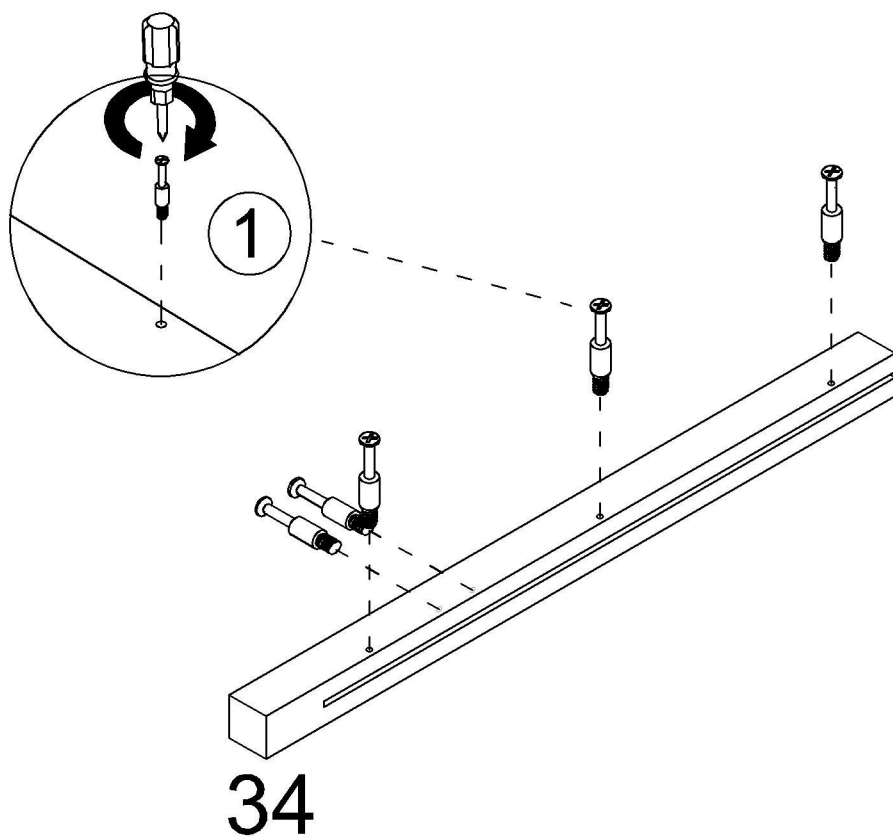


Step 21

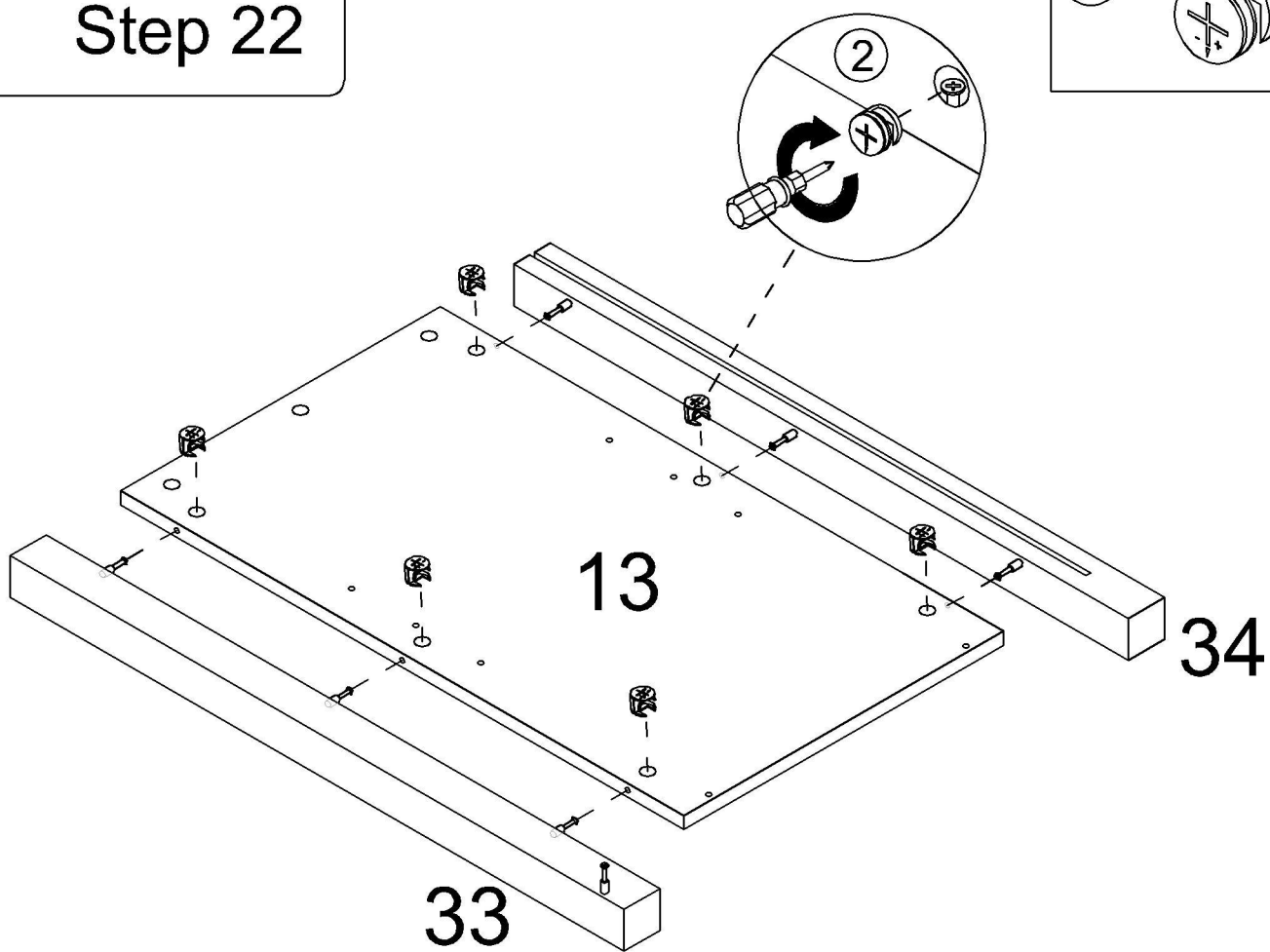
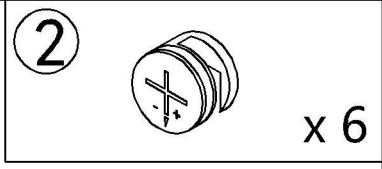
1



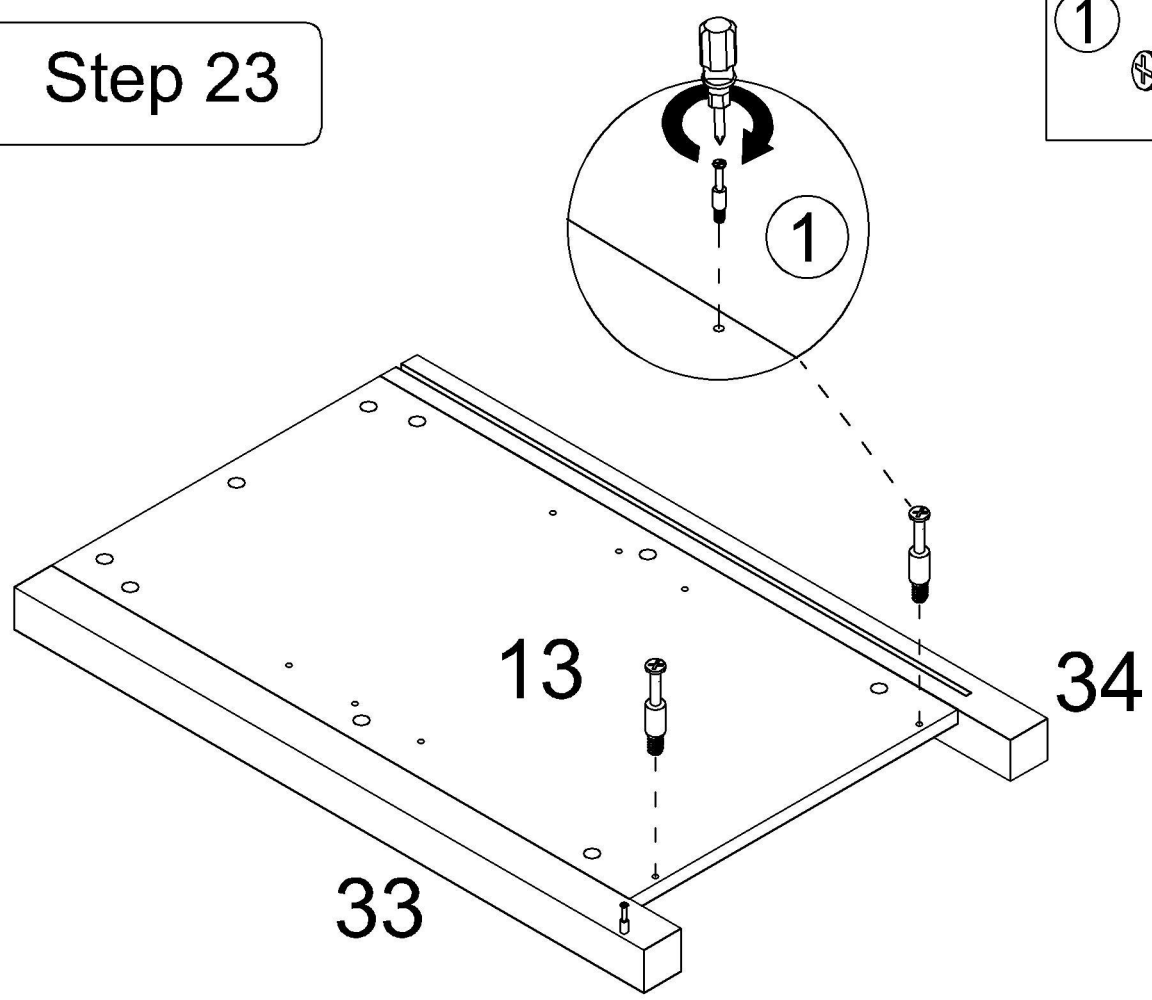
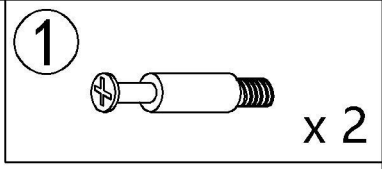
x 5



Step 22



Step 23

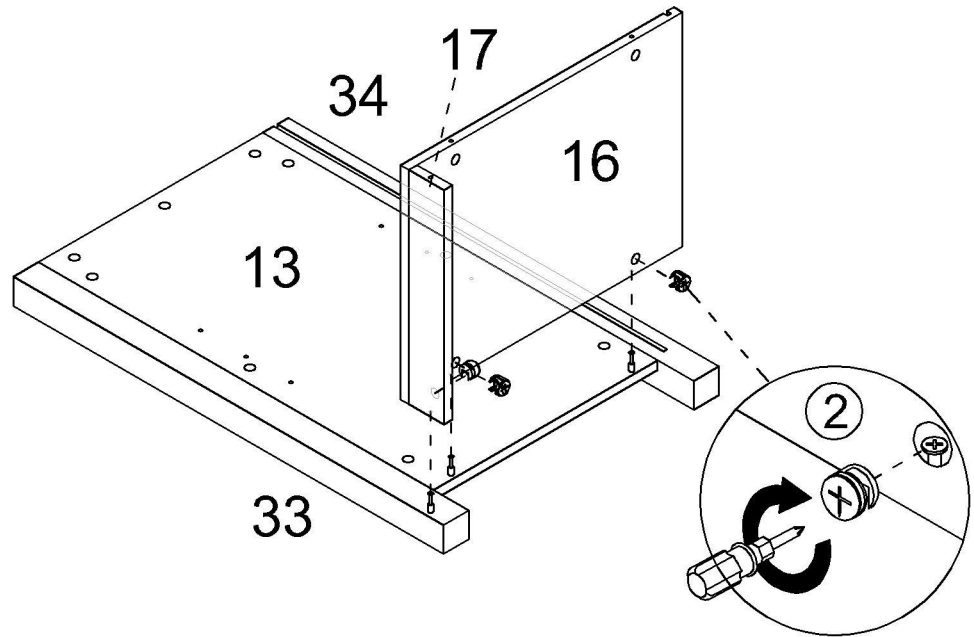


Step 24

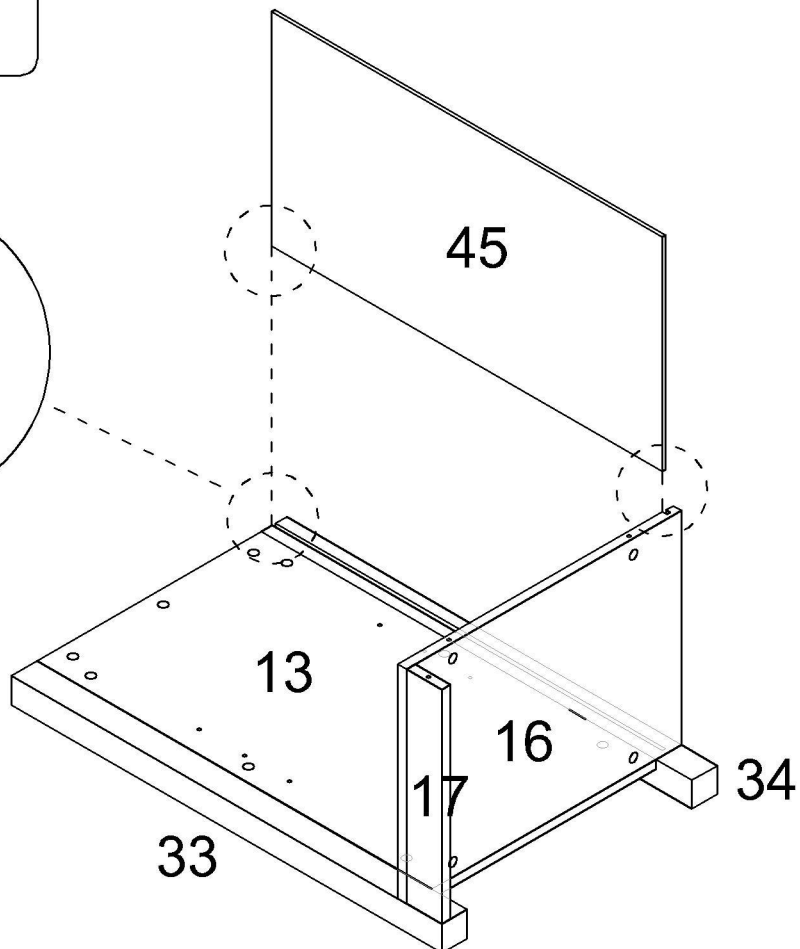
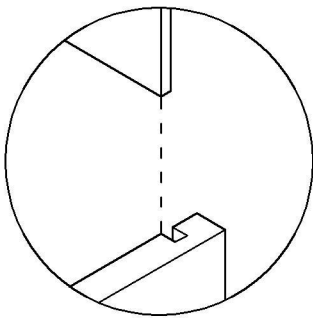
2



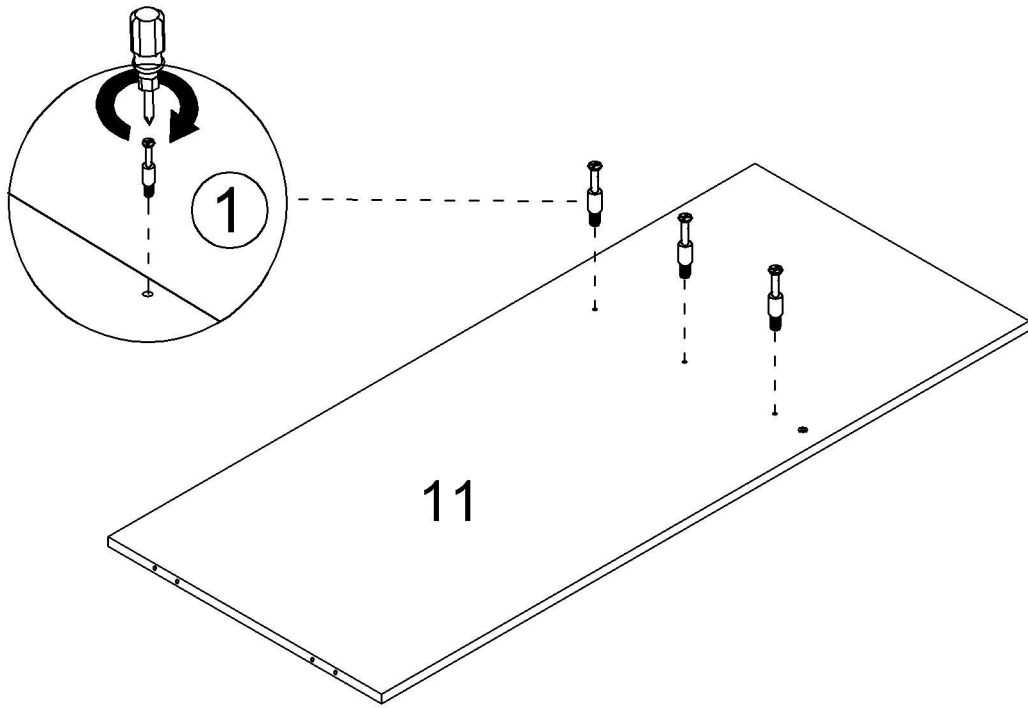
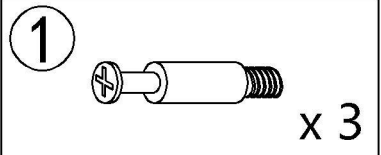
x 3



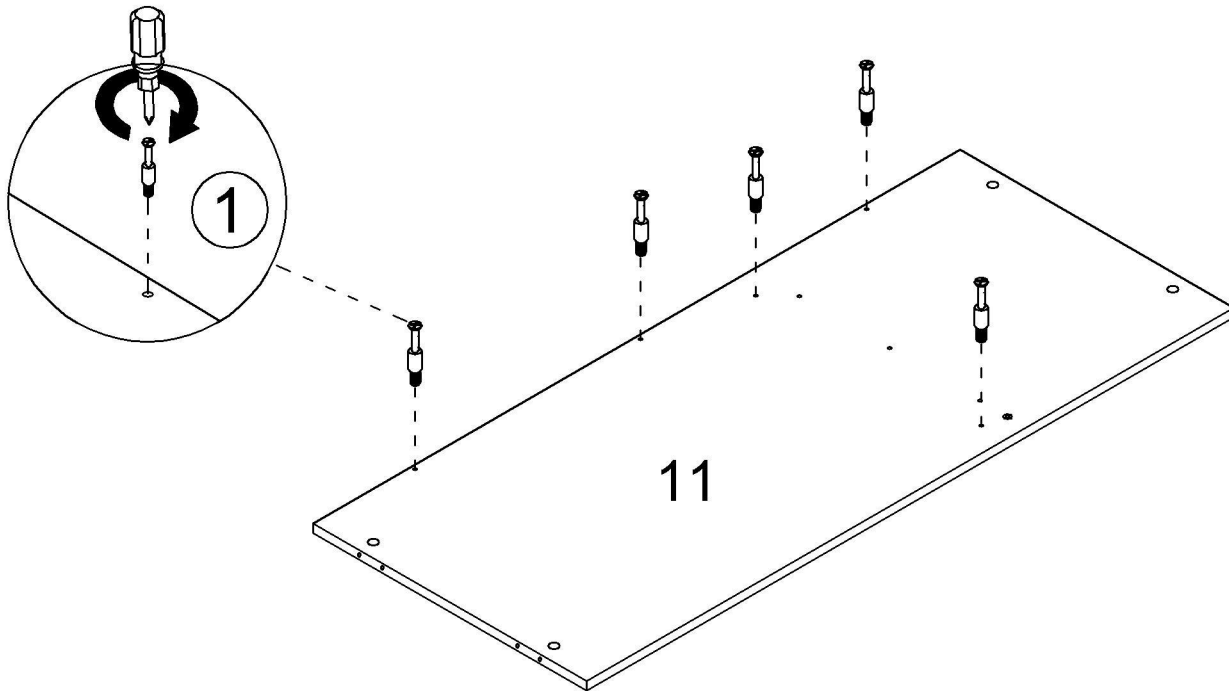
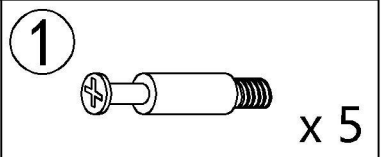
Step 25




Step 26

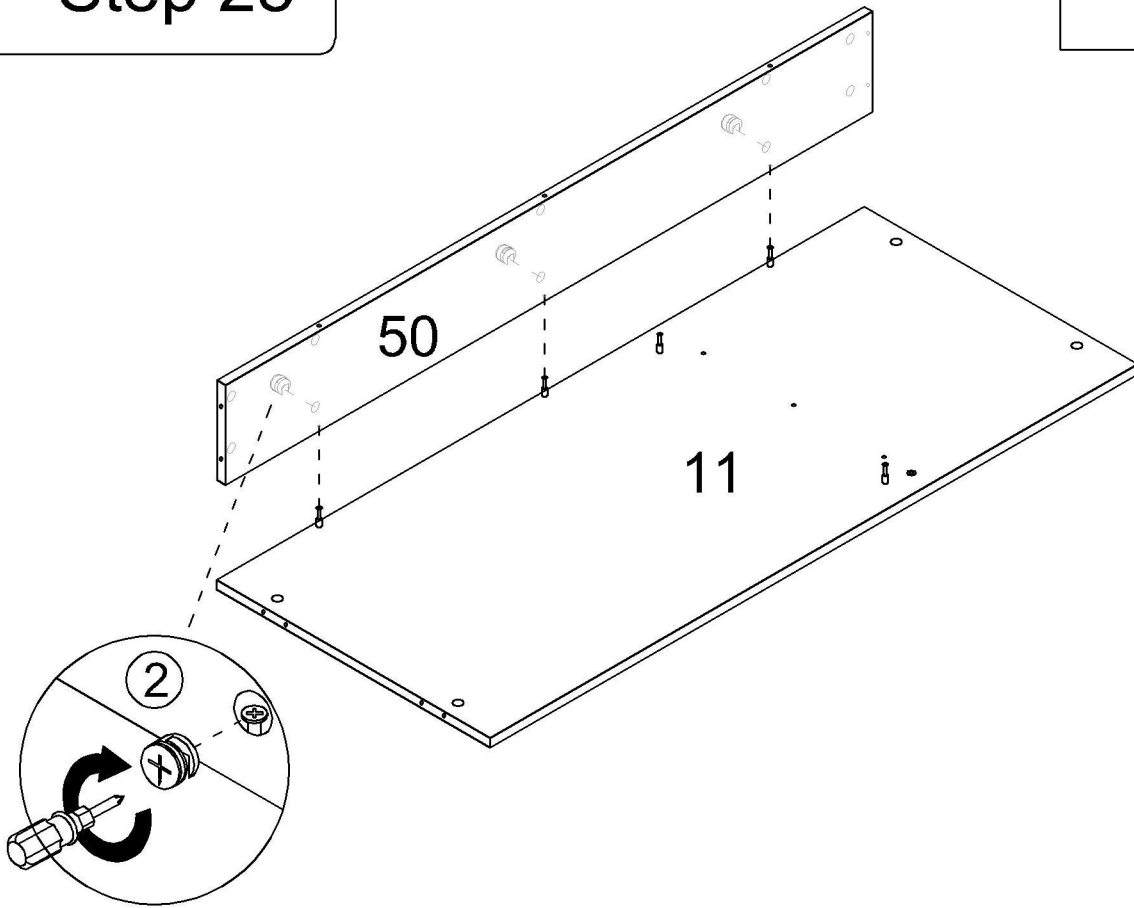


Step 27


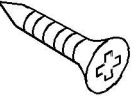
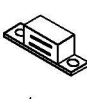



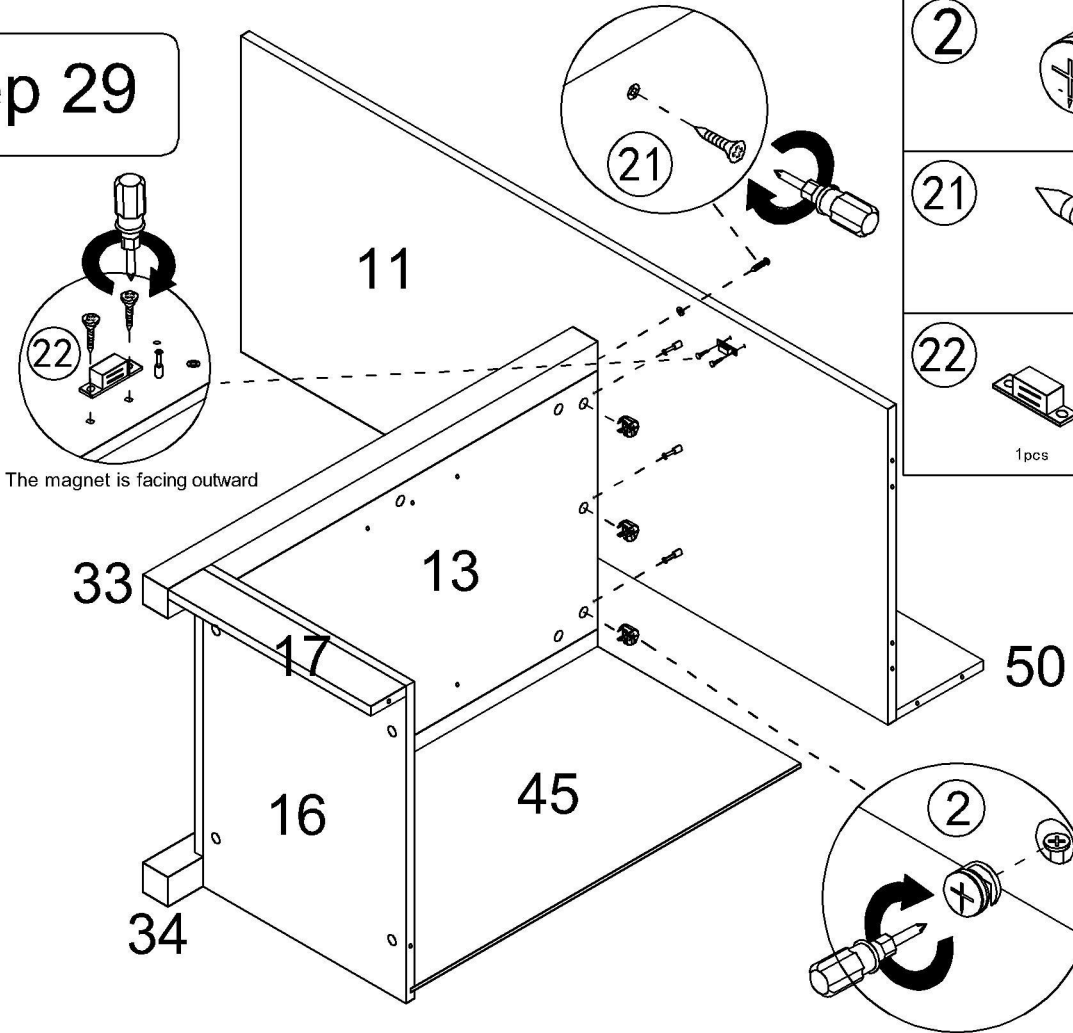
Step 28

- ②  x 3



Step 29

- ②  x 3
- ②①  x 1
- ②②  1pcs  2pcs x 1



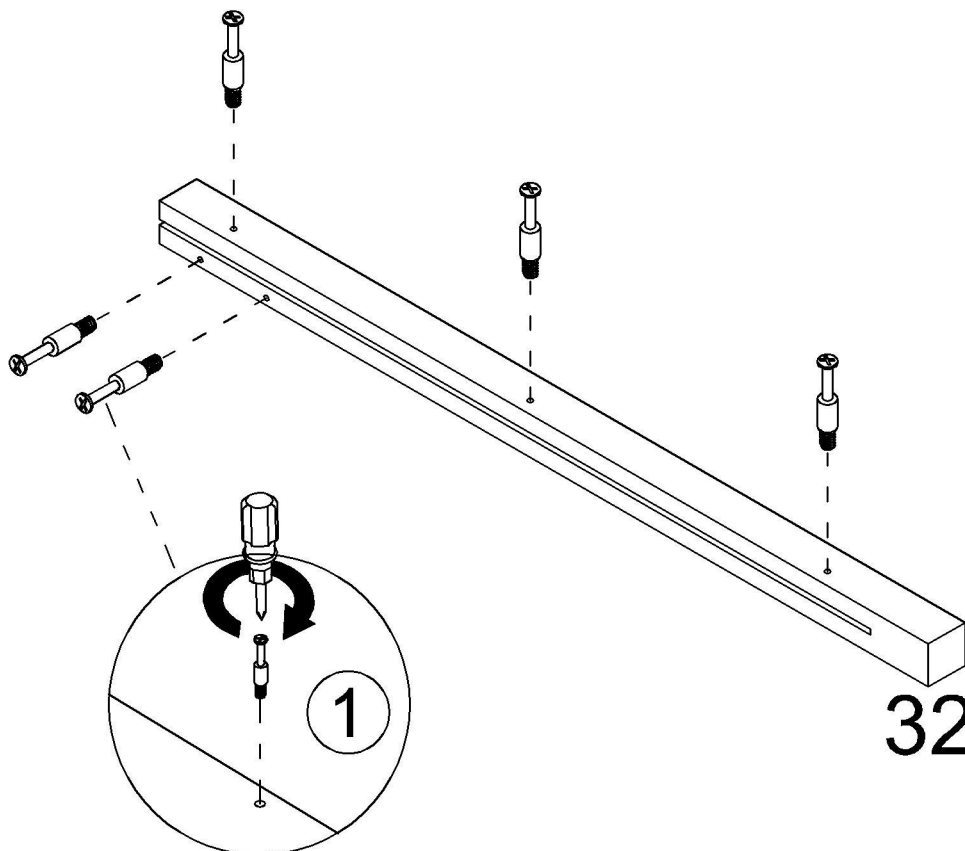
The magnet is facing outward

Step 30

1



x 5

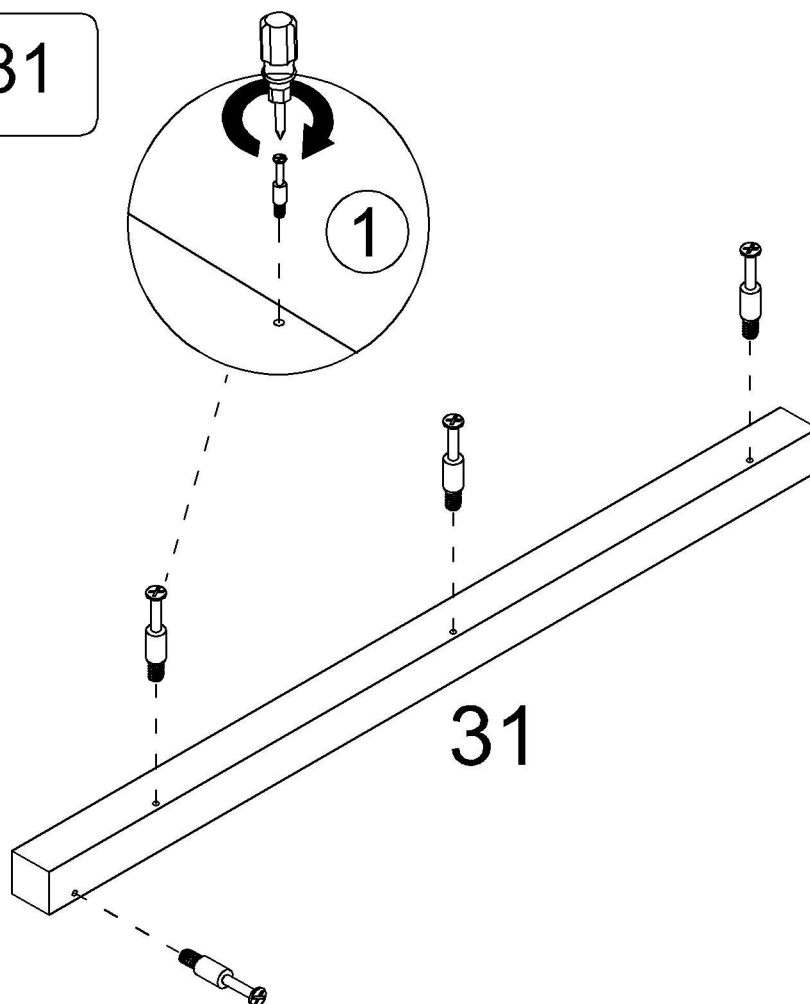


Step 31

1

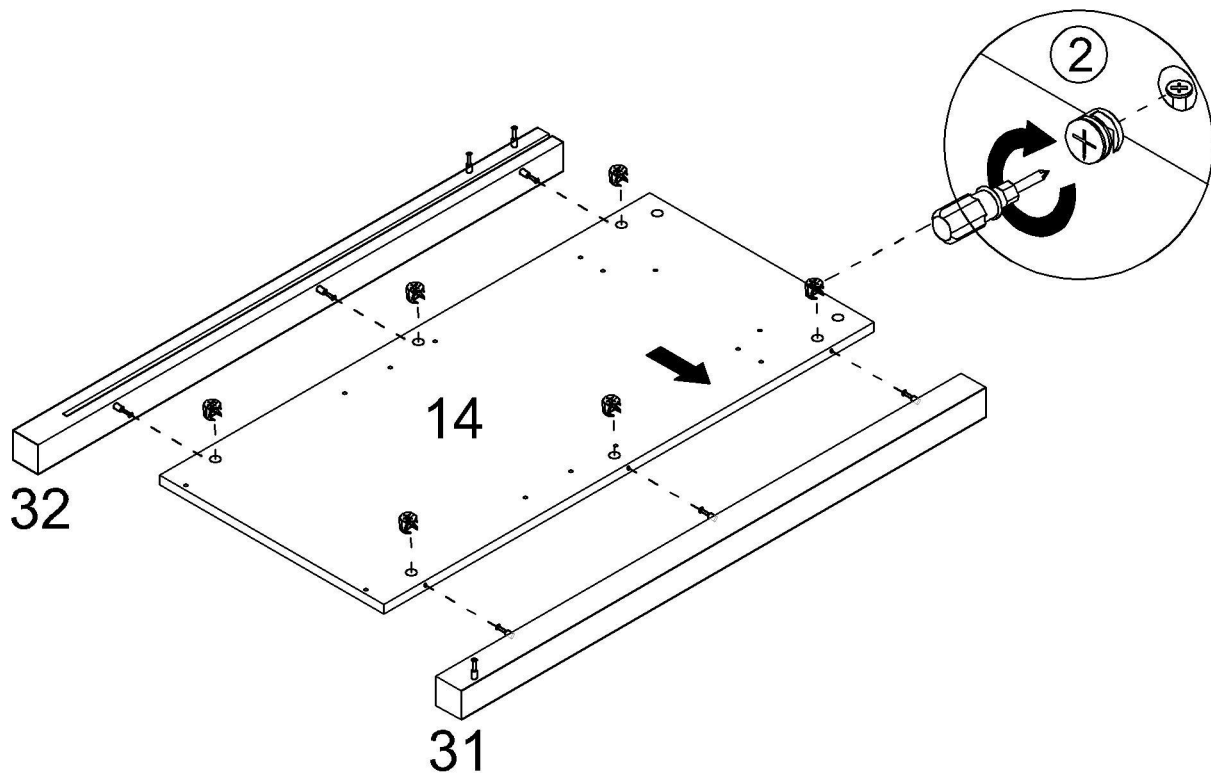


x 4

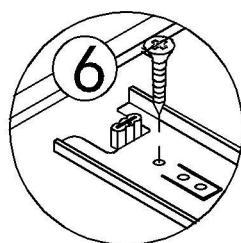
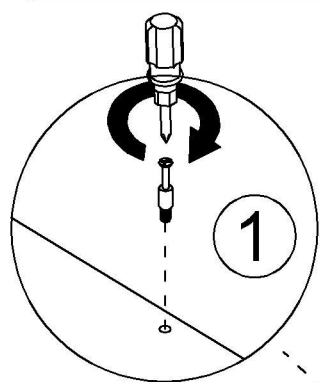


Step 32

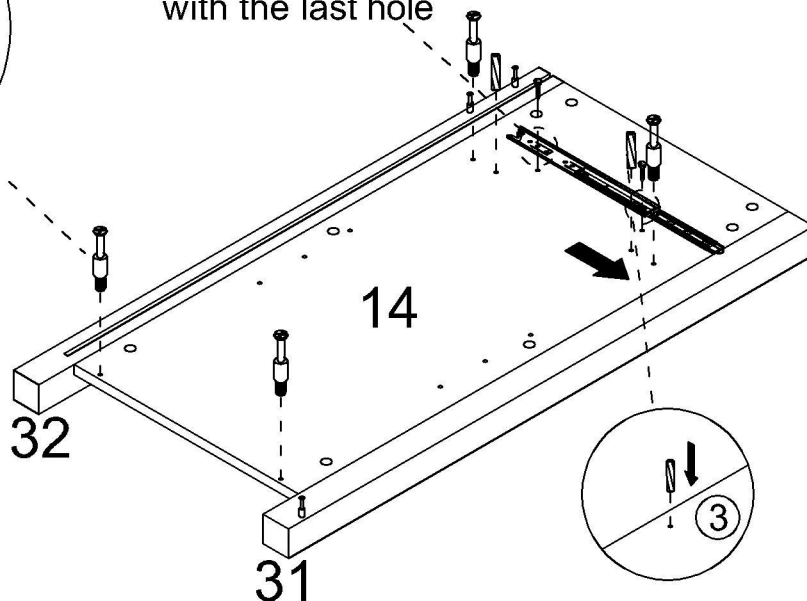
- ②  x 6

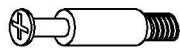

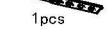



Step 33



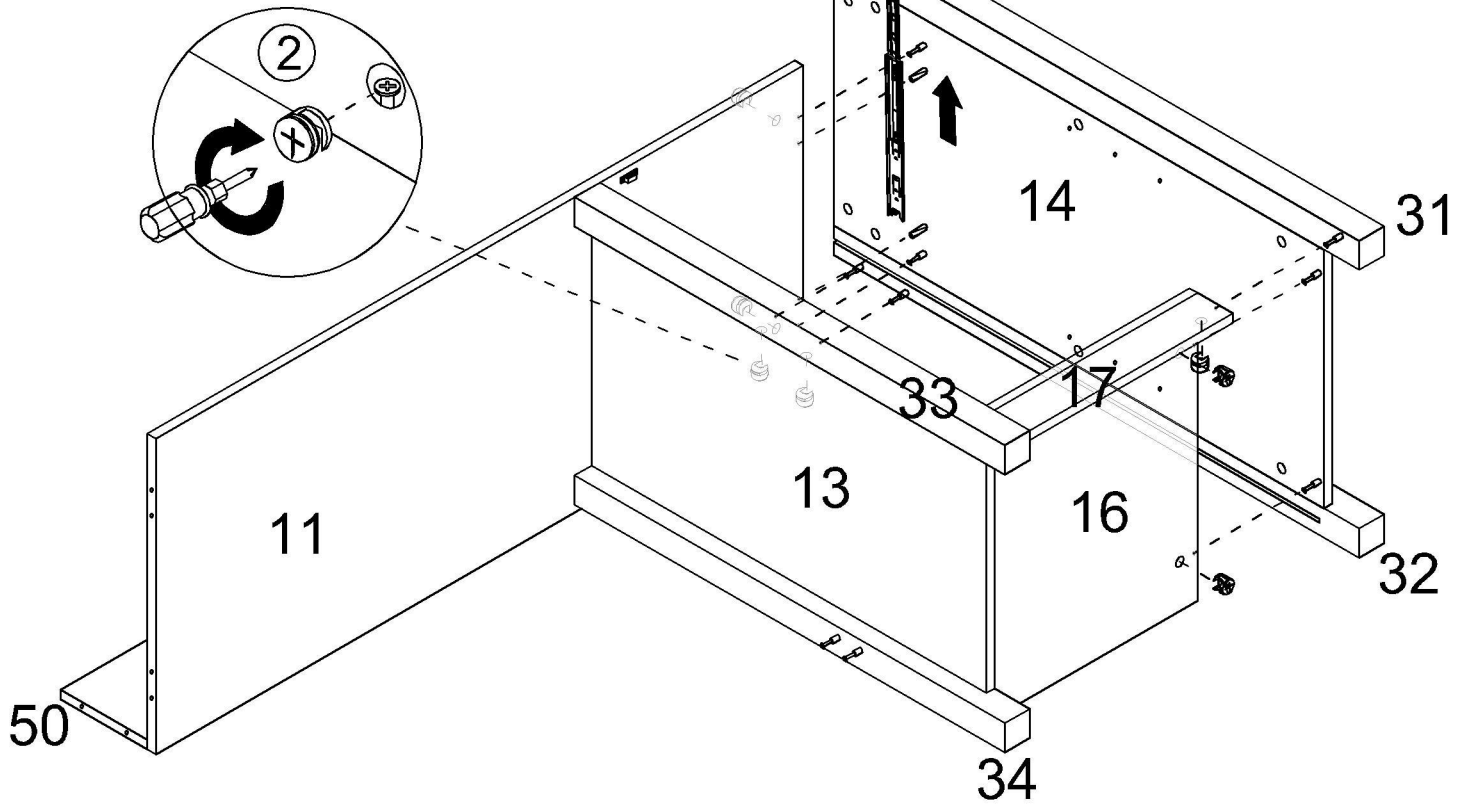
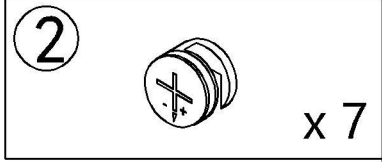
Rail installation starts with the last hole



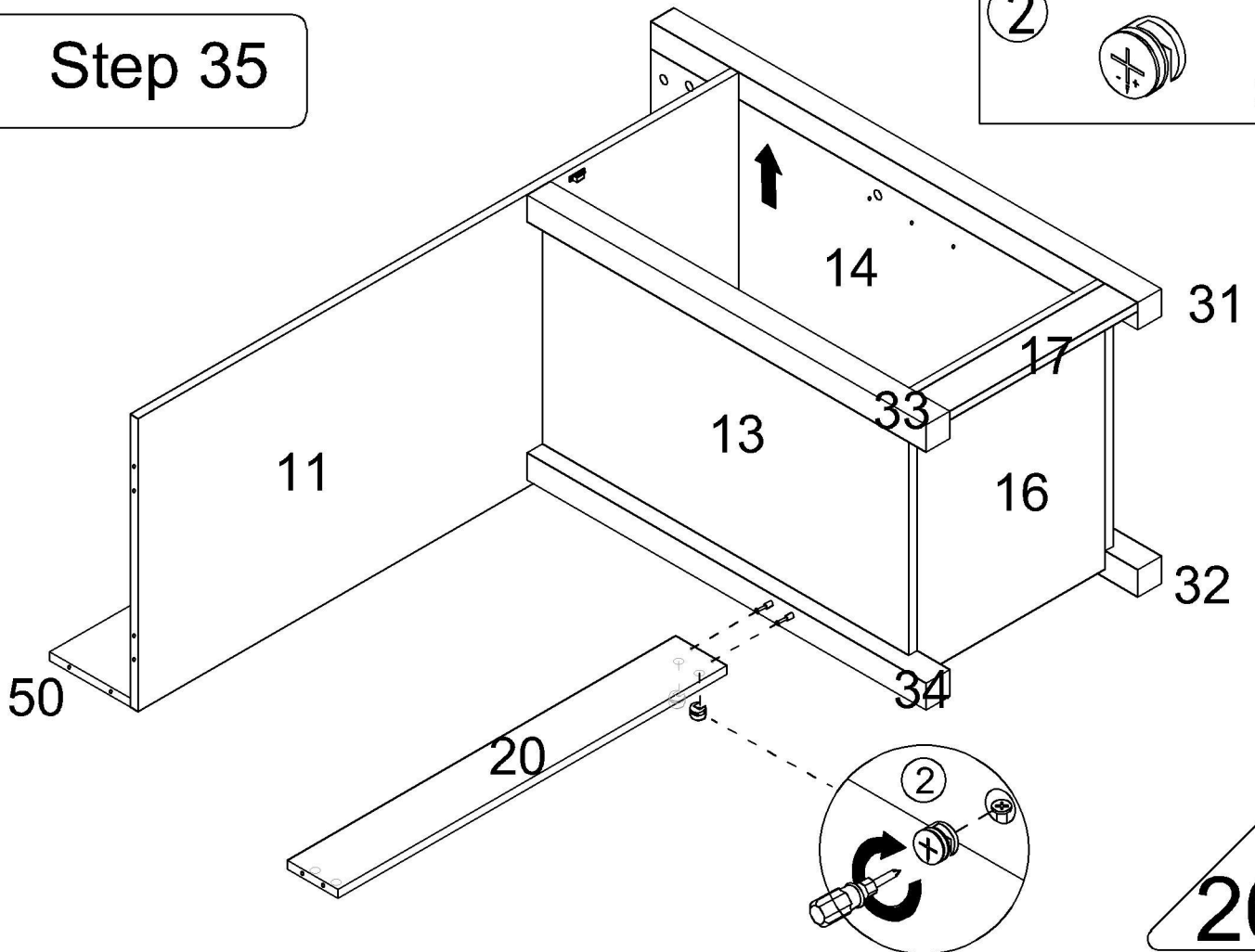
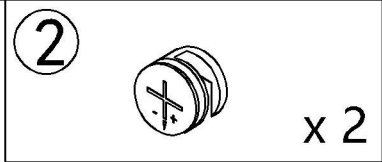
- ①  x 4
- ⑥  2pcs
 1pcs x 1
- ③  x 2

Install according to the direction of the arrow, when the guide rail is installed correctly, it cannot be flush with the plate, and the position is 12mm

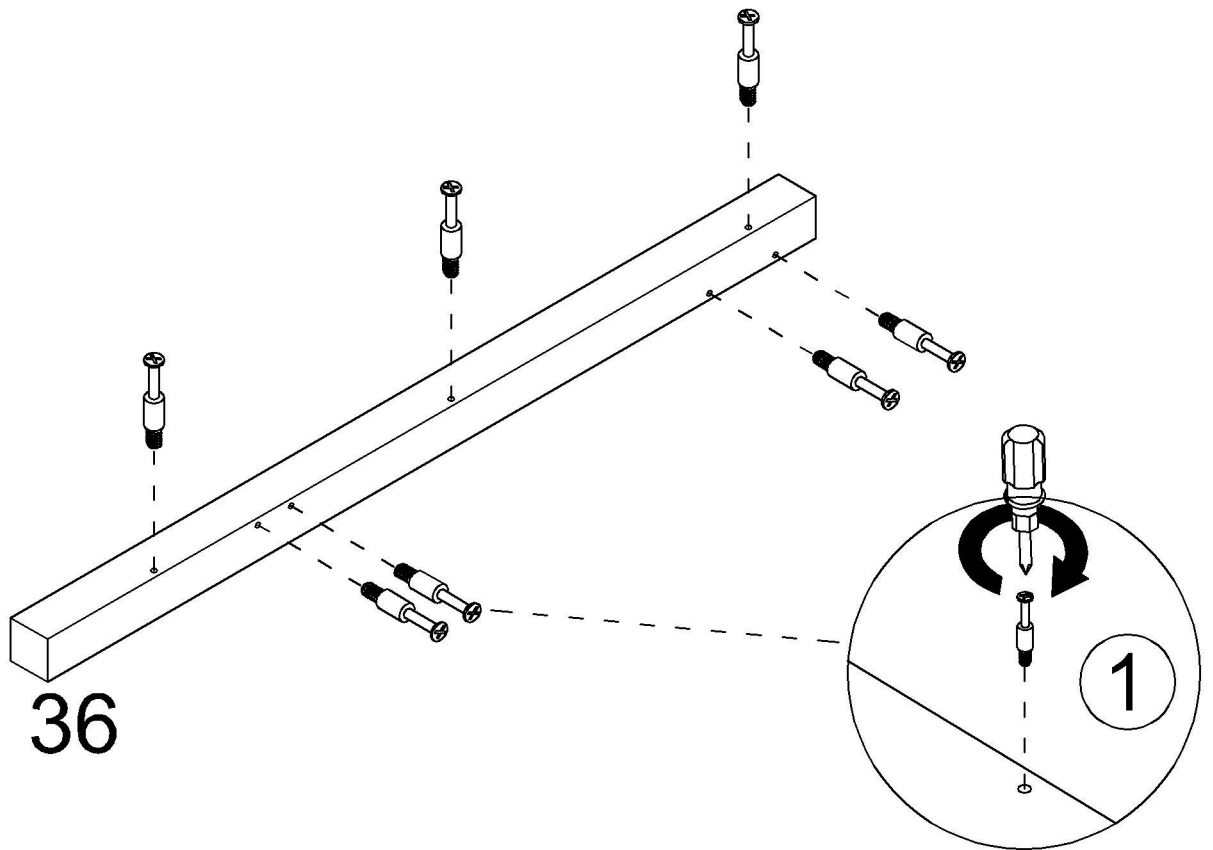
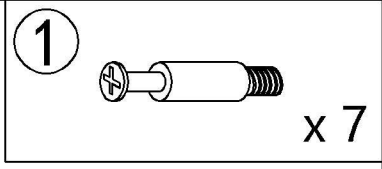
Step 34



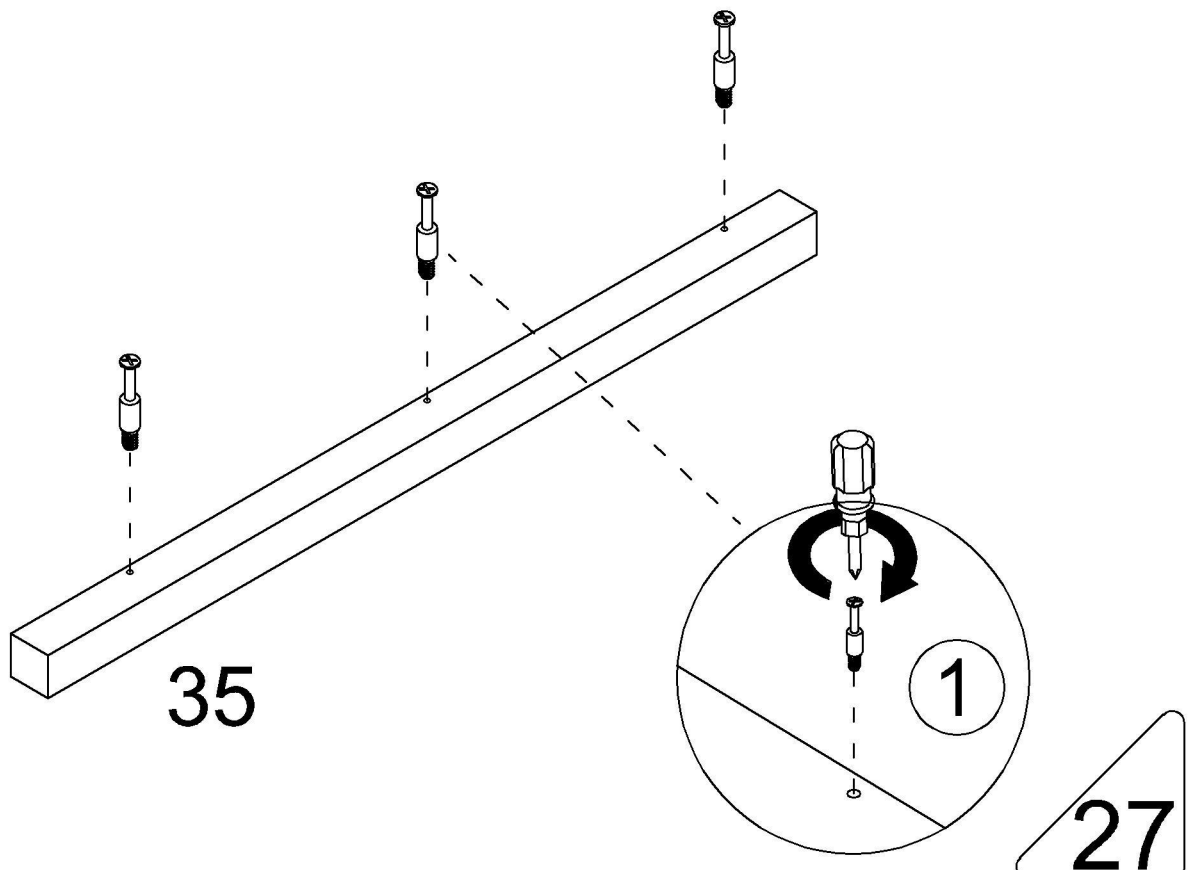
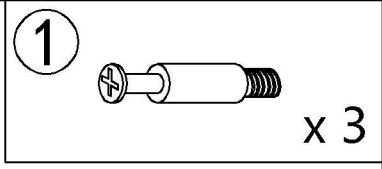
Step 35




Step 36

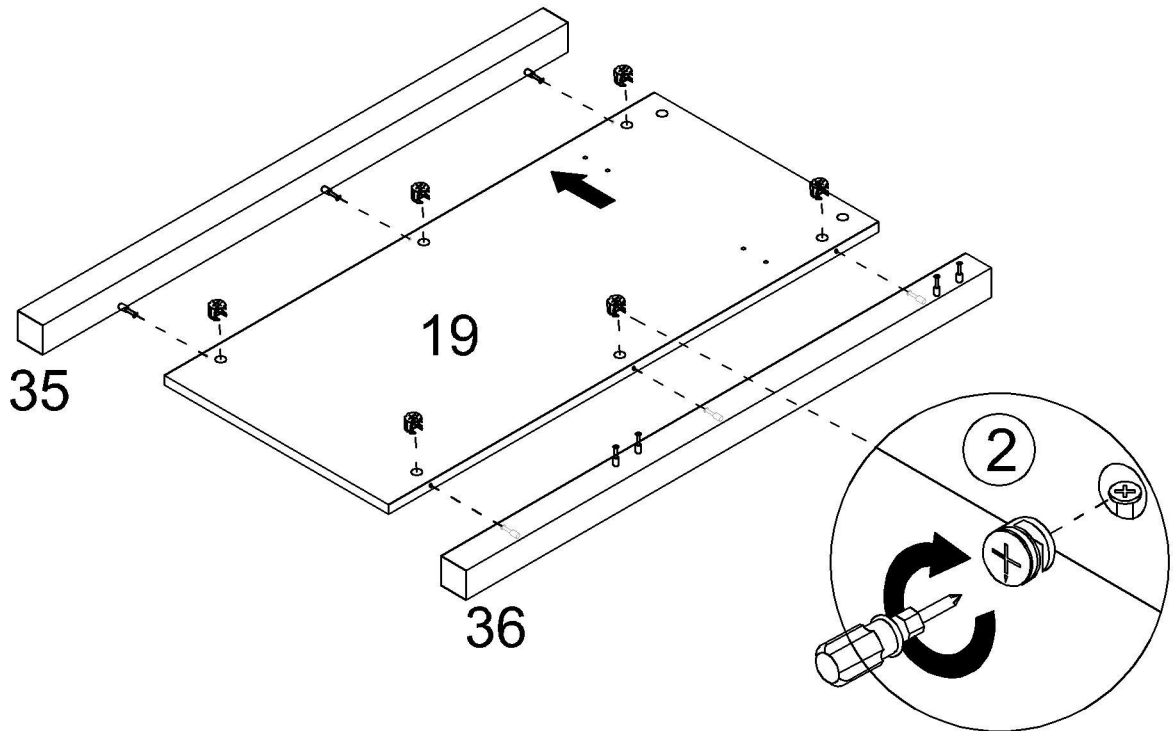


Step 37




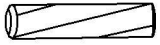


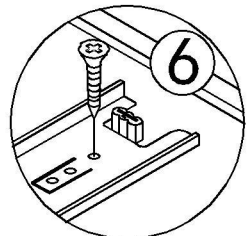
Step 38

- ②  x 6

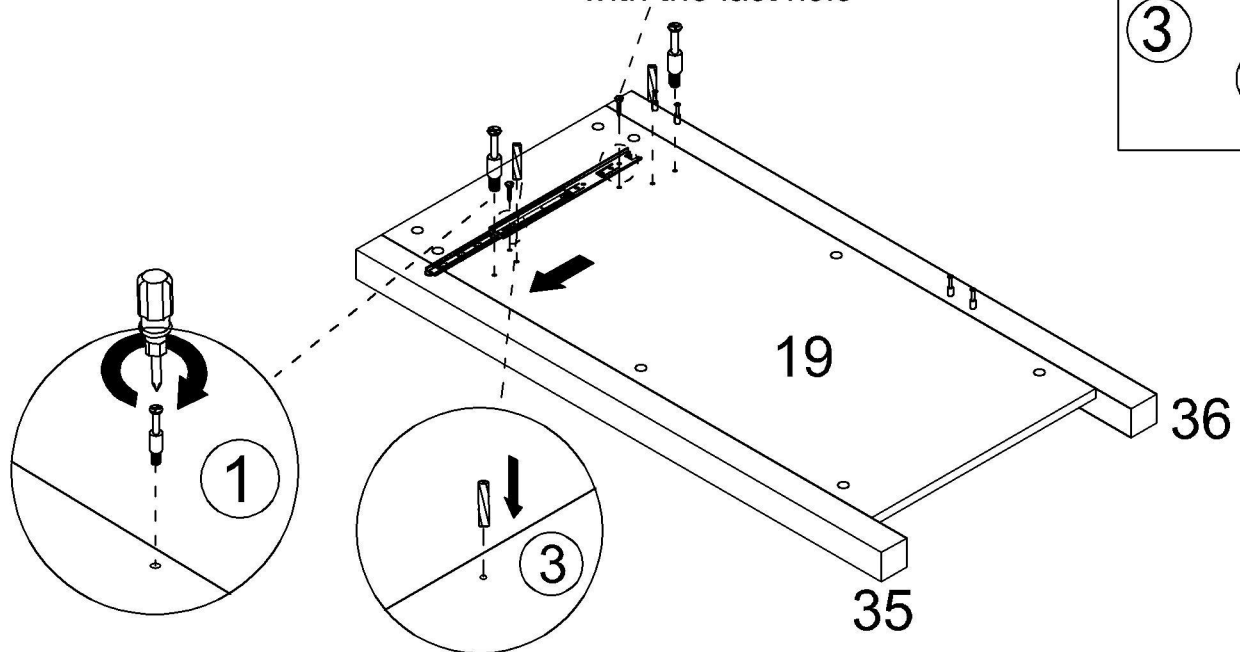


Step 39

- ①  x 2
- ⑥  2pcs
 1pcs x 1
- ③  x 2



Rail installation starts with the last hole



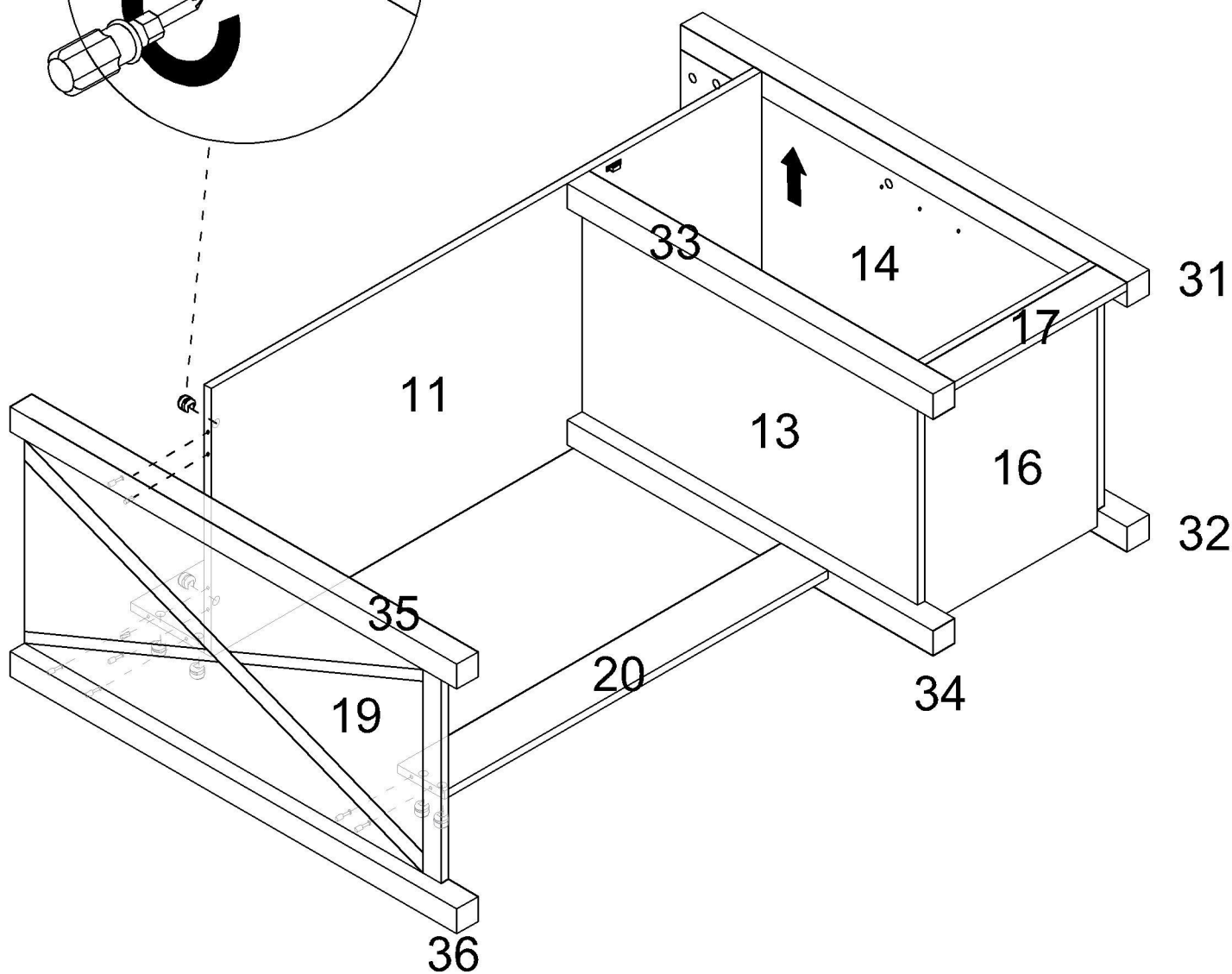
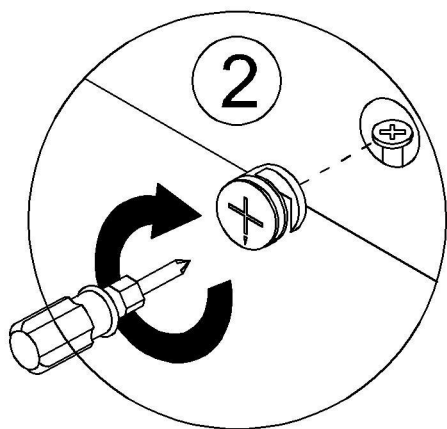
Install according to the direction of the arrow, when the guide rail is installed correctly, it cannot be flush with the plate, and the position is 12mm

Step 40

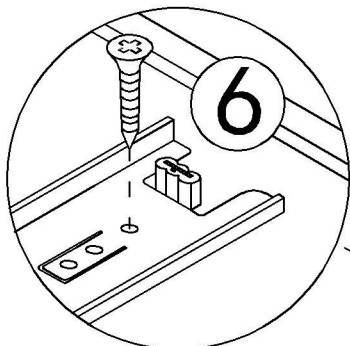
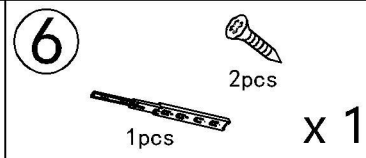
2



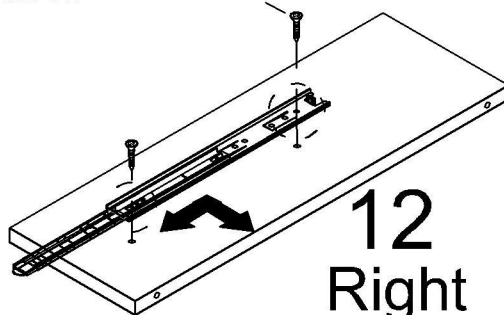
x 6



Step 41

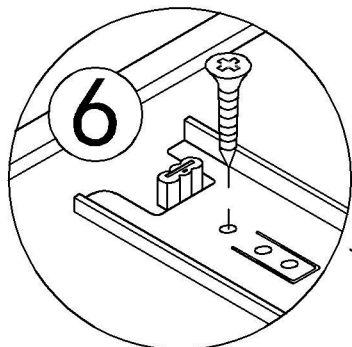
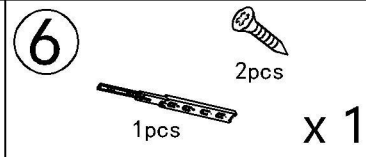


Rail installation starts with the last hole

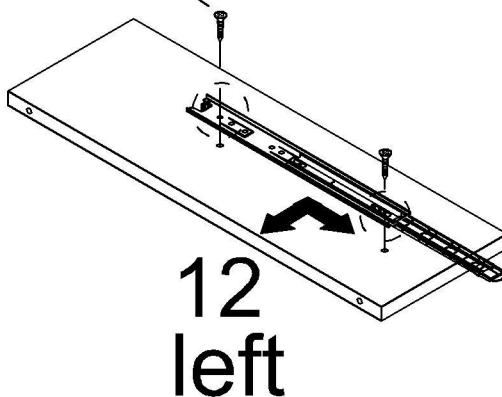


Install according to the direction of the arrow, and after the guide rail is installed correctly, it should be flush with the plate

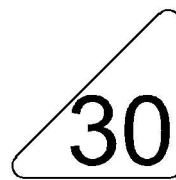
Step 42



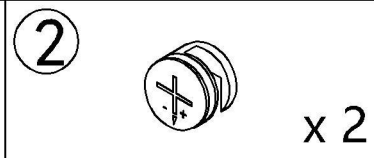
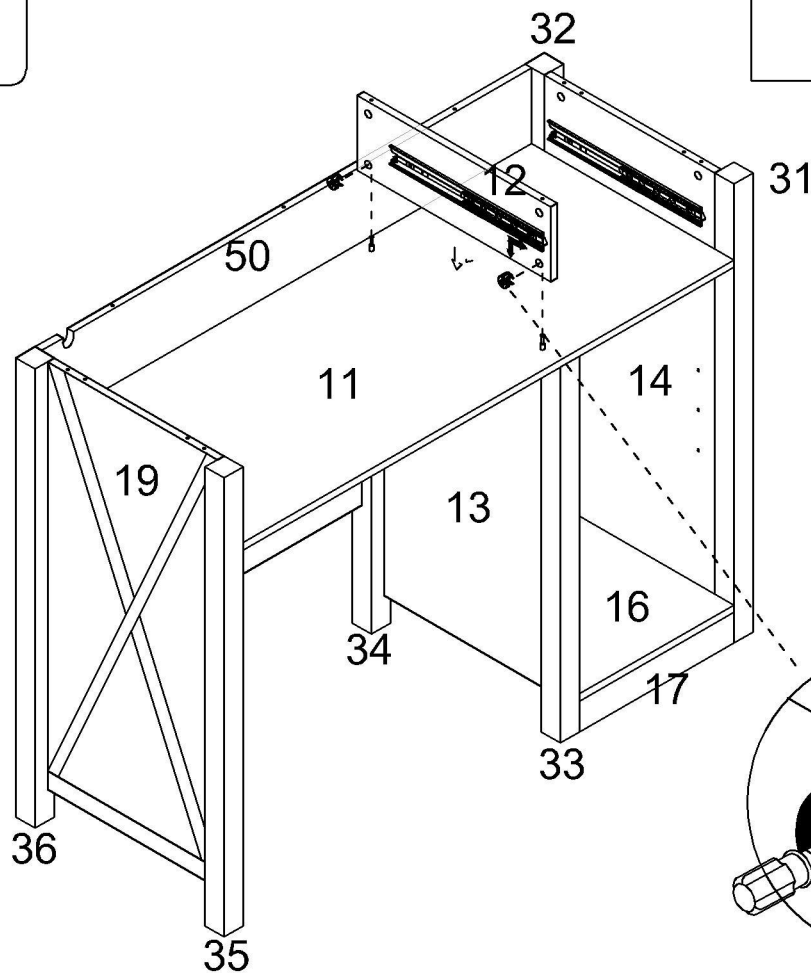
Rail installation starts with the last hole



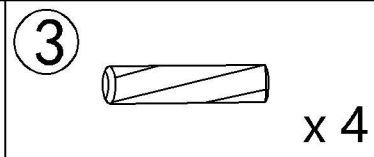
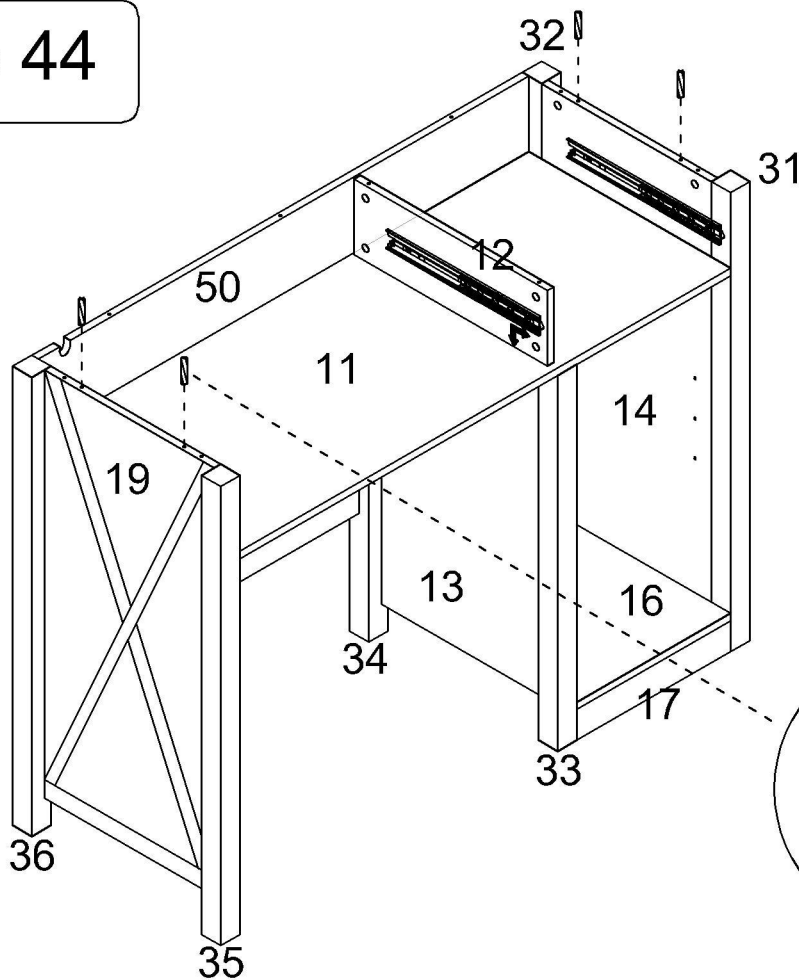
Install according to the direction of the arrow, and after the guide rail is installed correctly, it should be flush with the plate



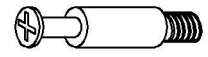
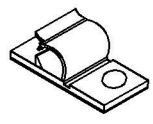
Step 43



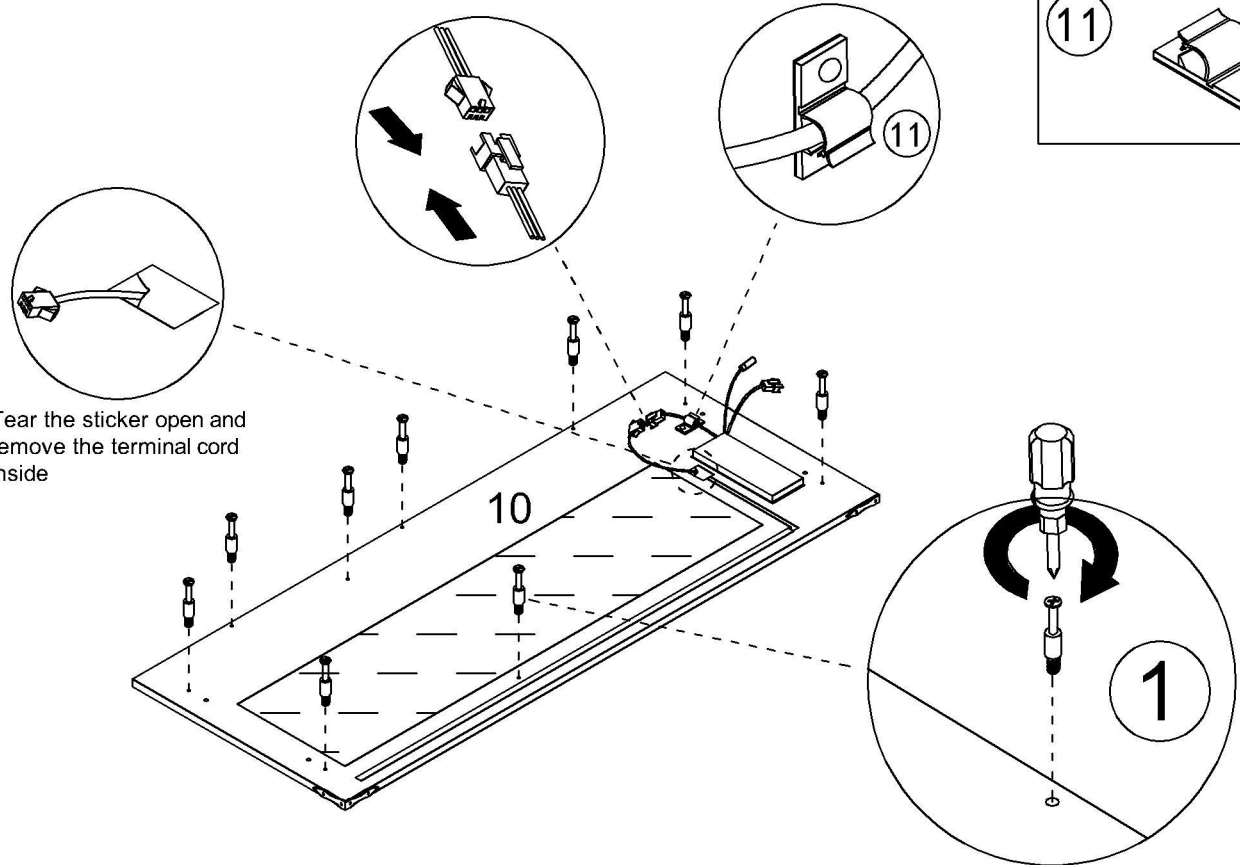
Step 44




Step 45

- 1  x 9
- 11  x 1

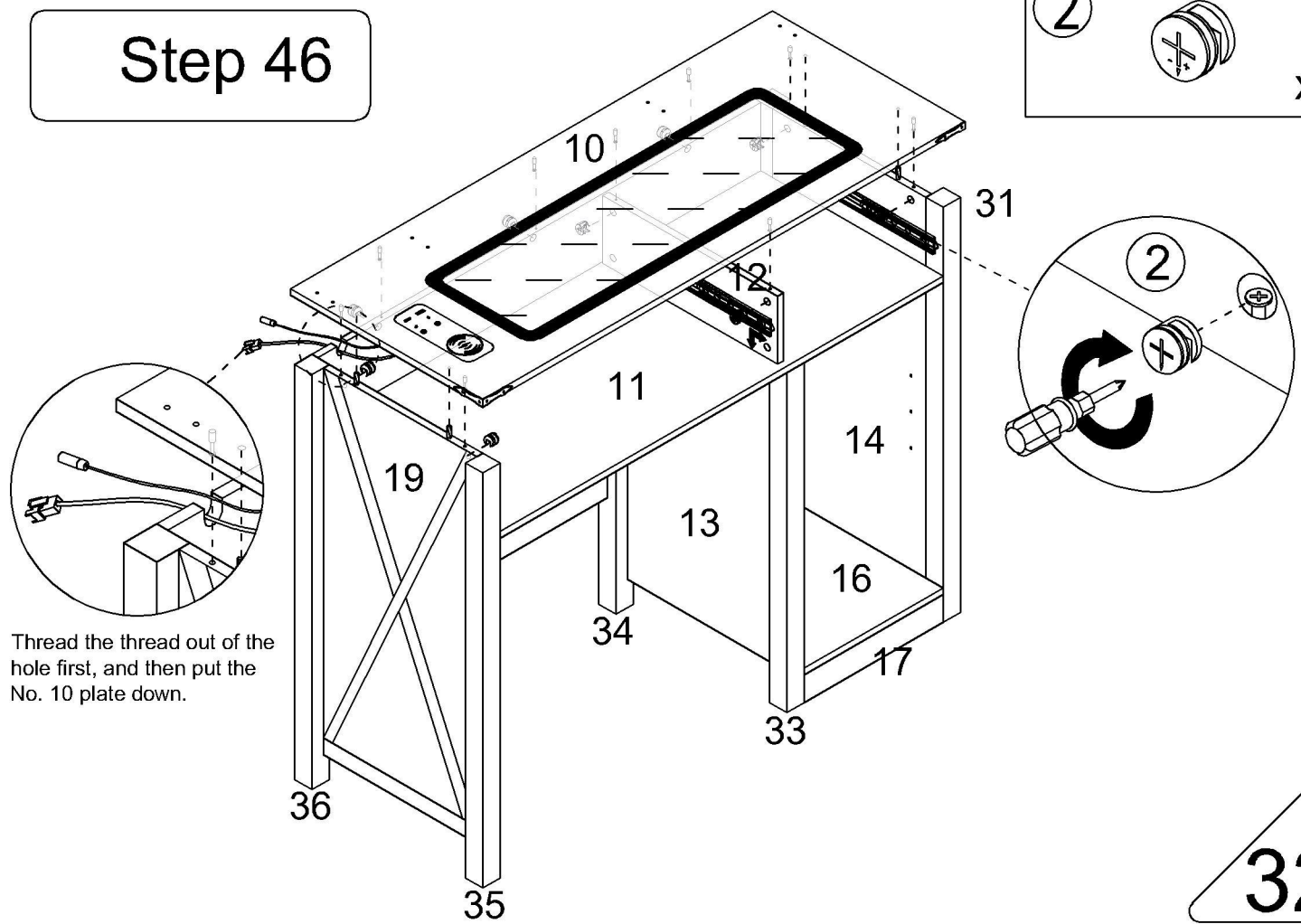
Tear the sticker open and remove the terminal cord inside



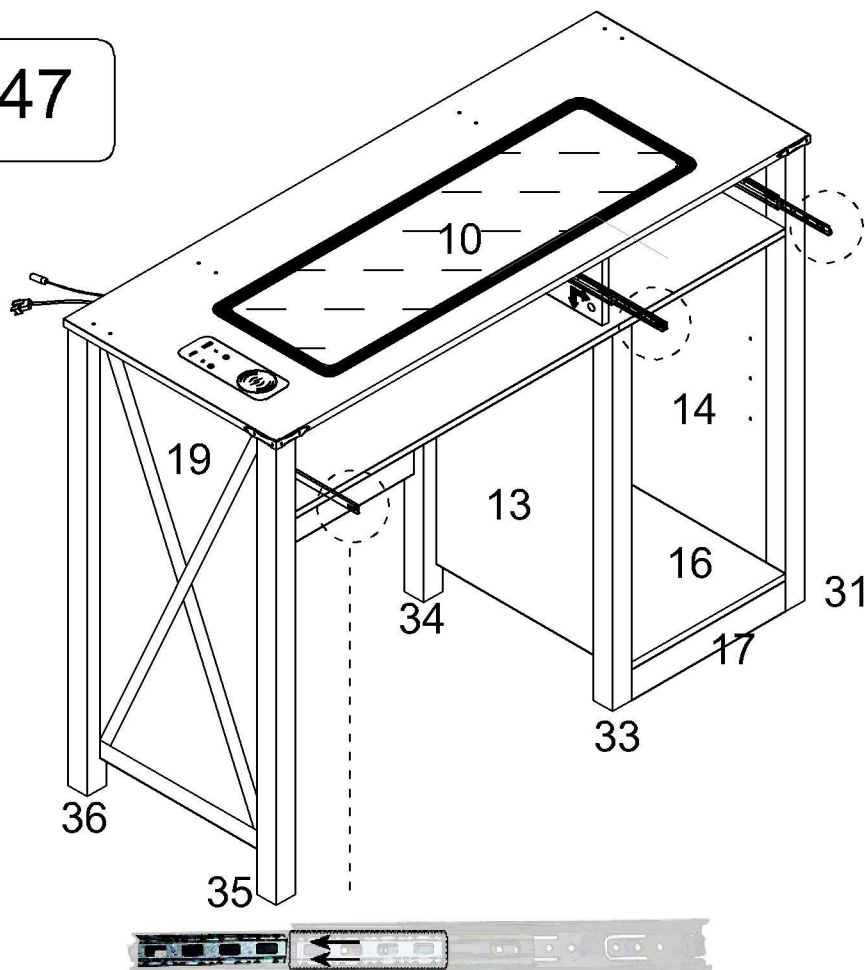
Step 46

- 2  x 9

Thread the thread out of the hole first, and then put the No. 10 plate down.

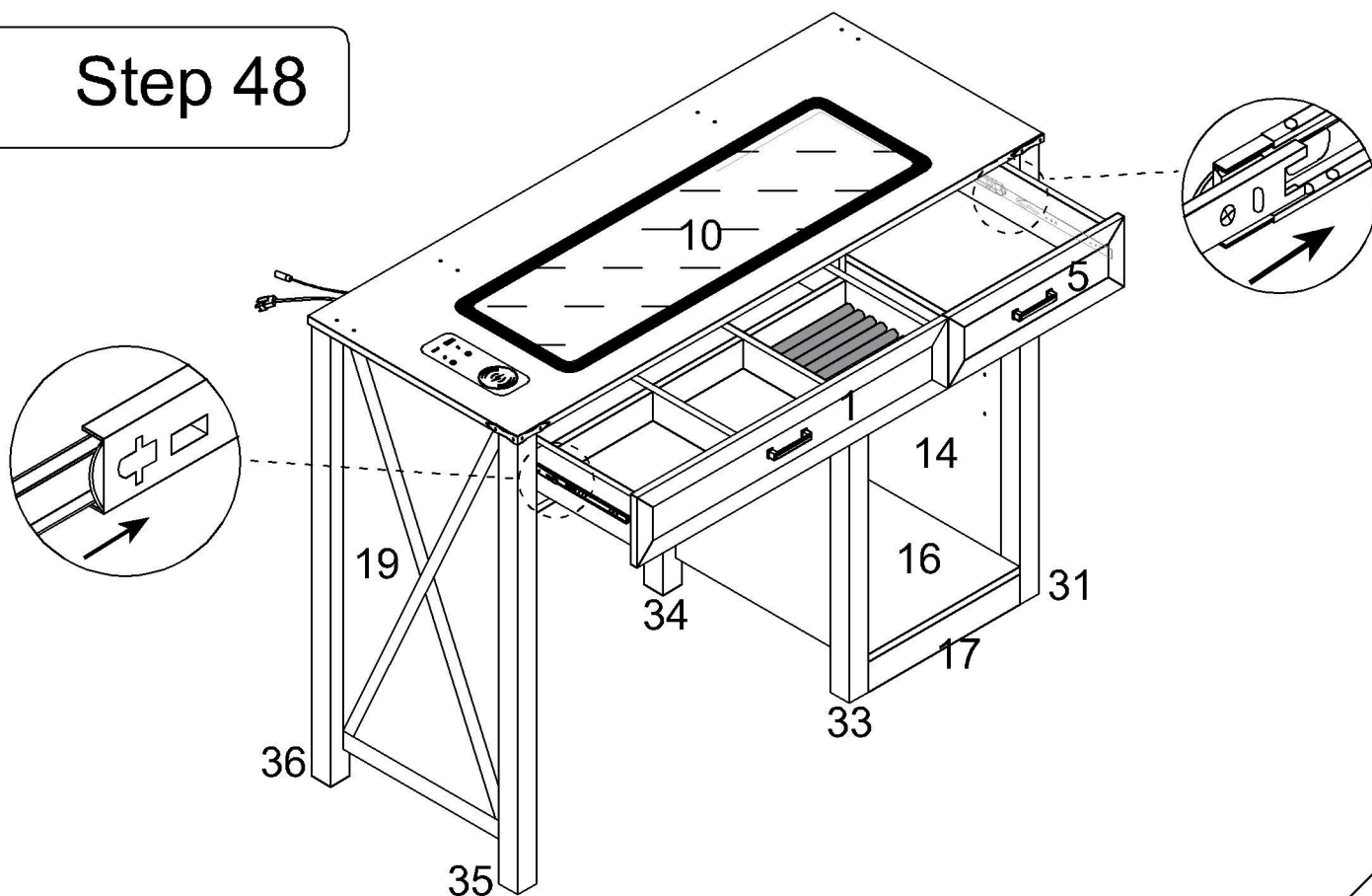


Step 47



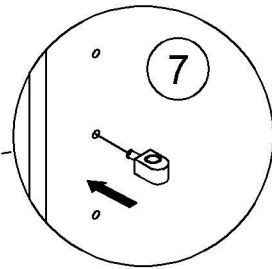
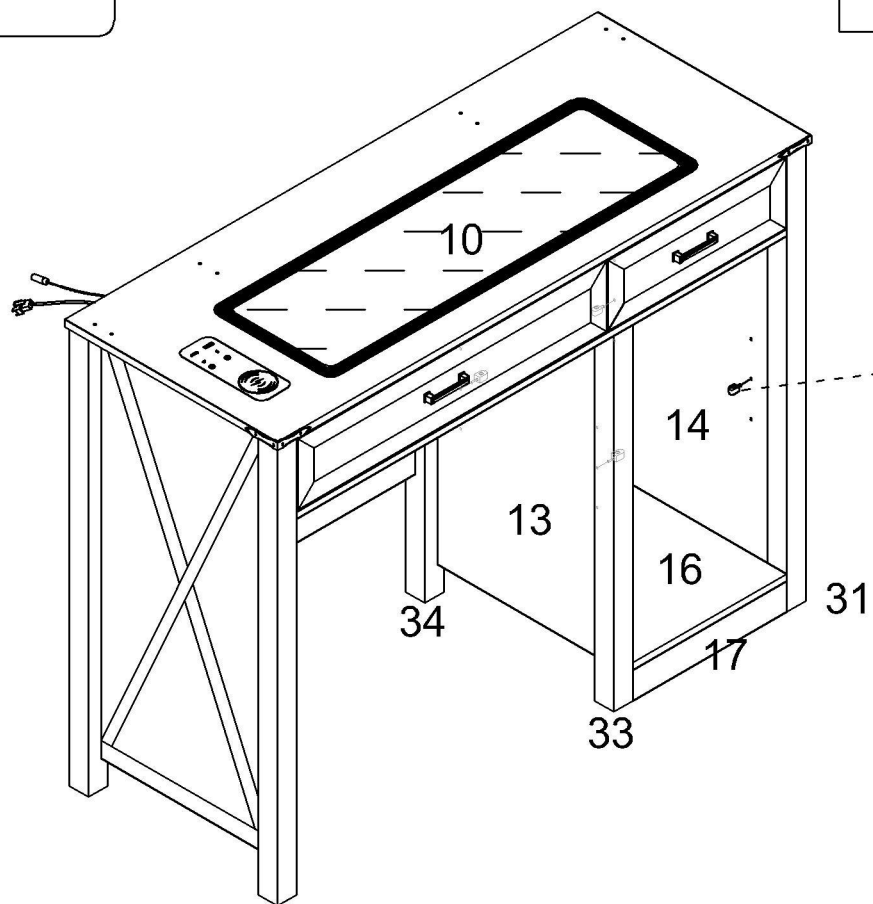
As shown, When installing the drawer, pull the guide rail out first, Slide beads are also pulled out.

Step 48

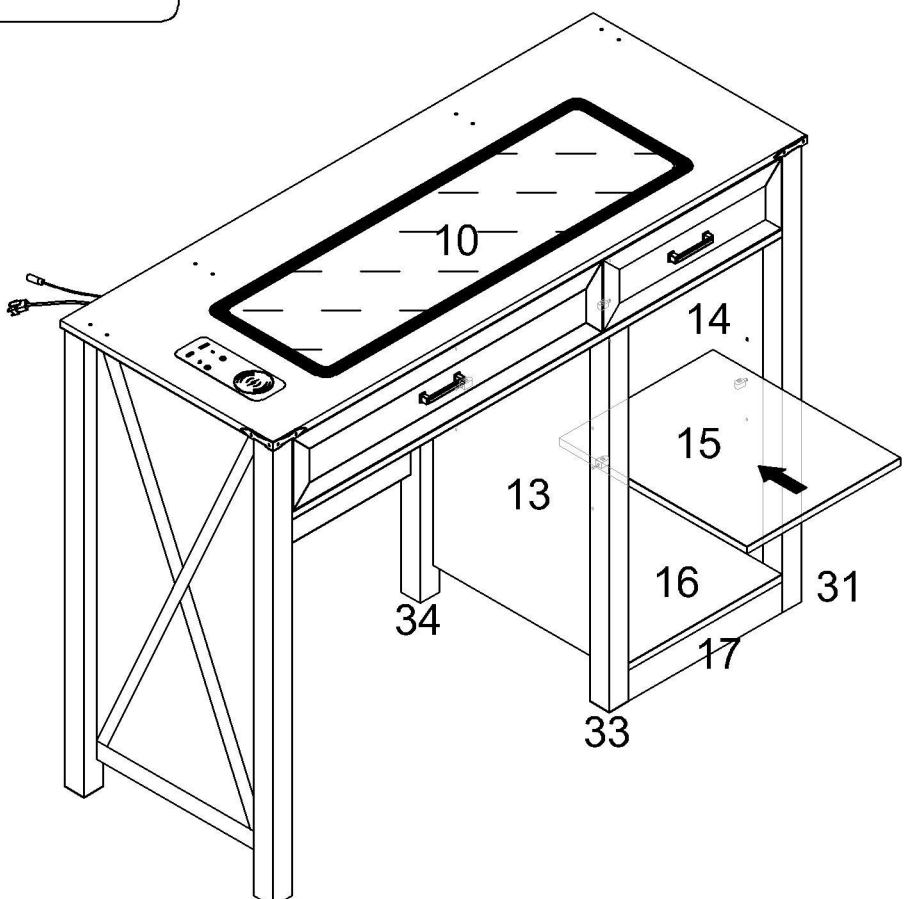


Step 49

7 x 4



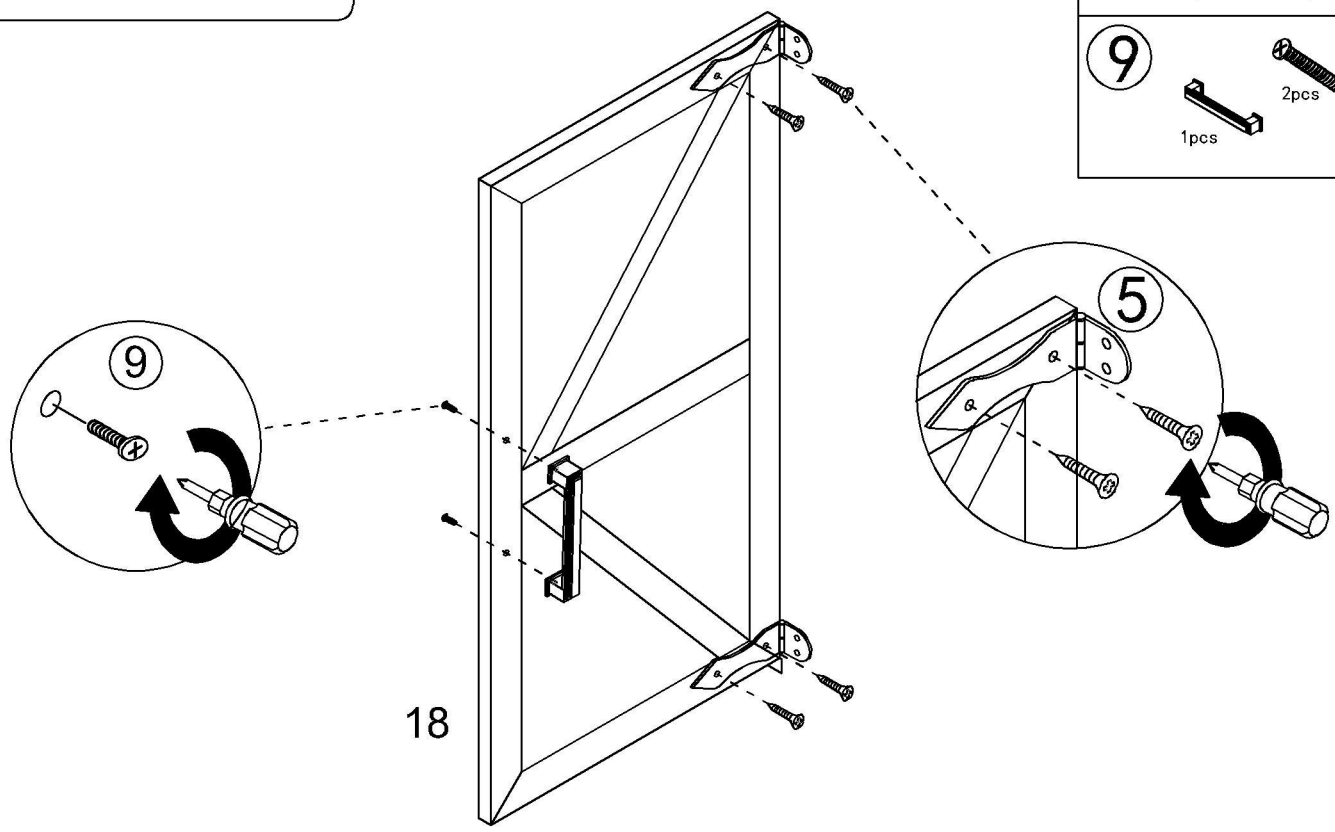
Step 50



34

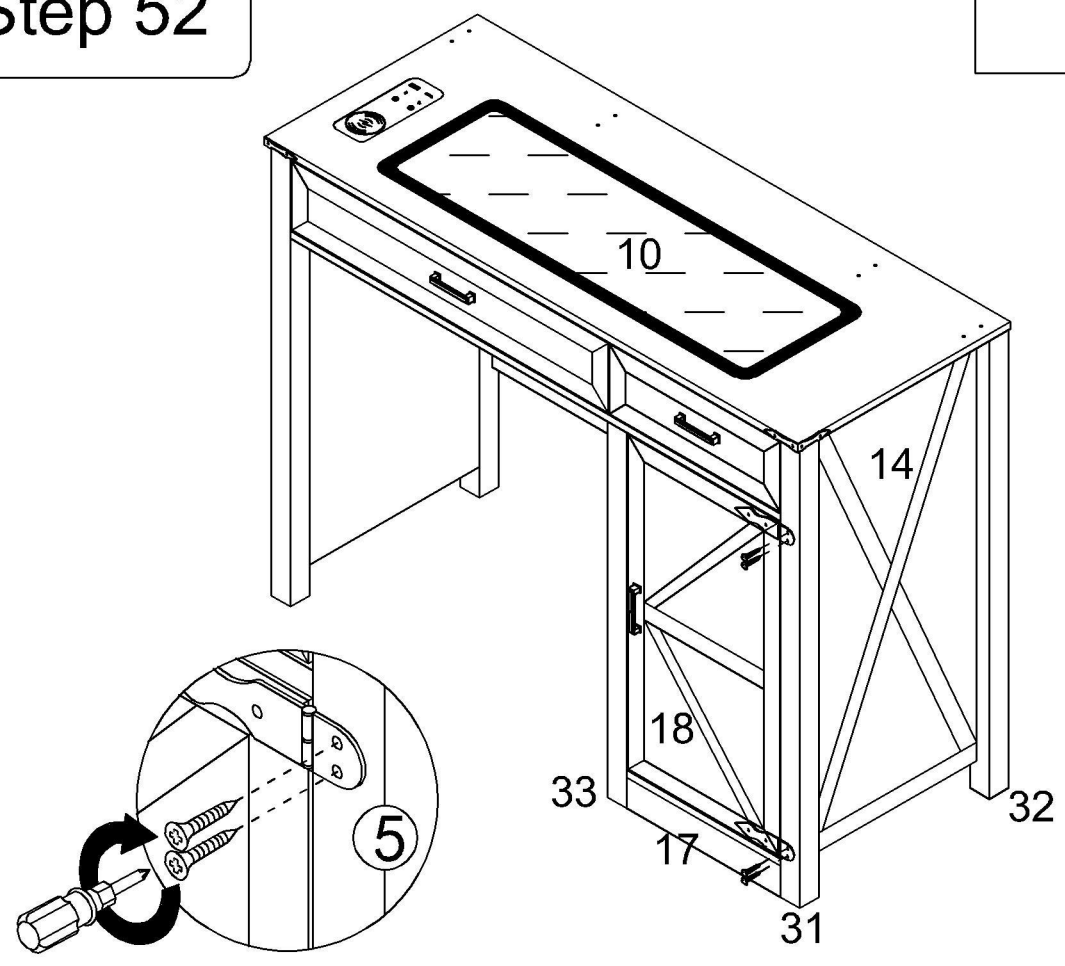
Step 51

- ⑤ 1pc 2pcs x 2
- ⑨ 1pc 2pcs x 1

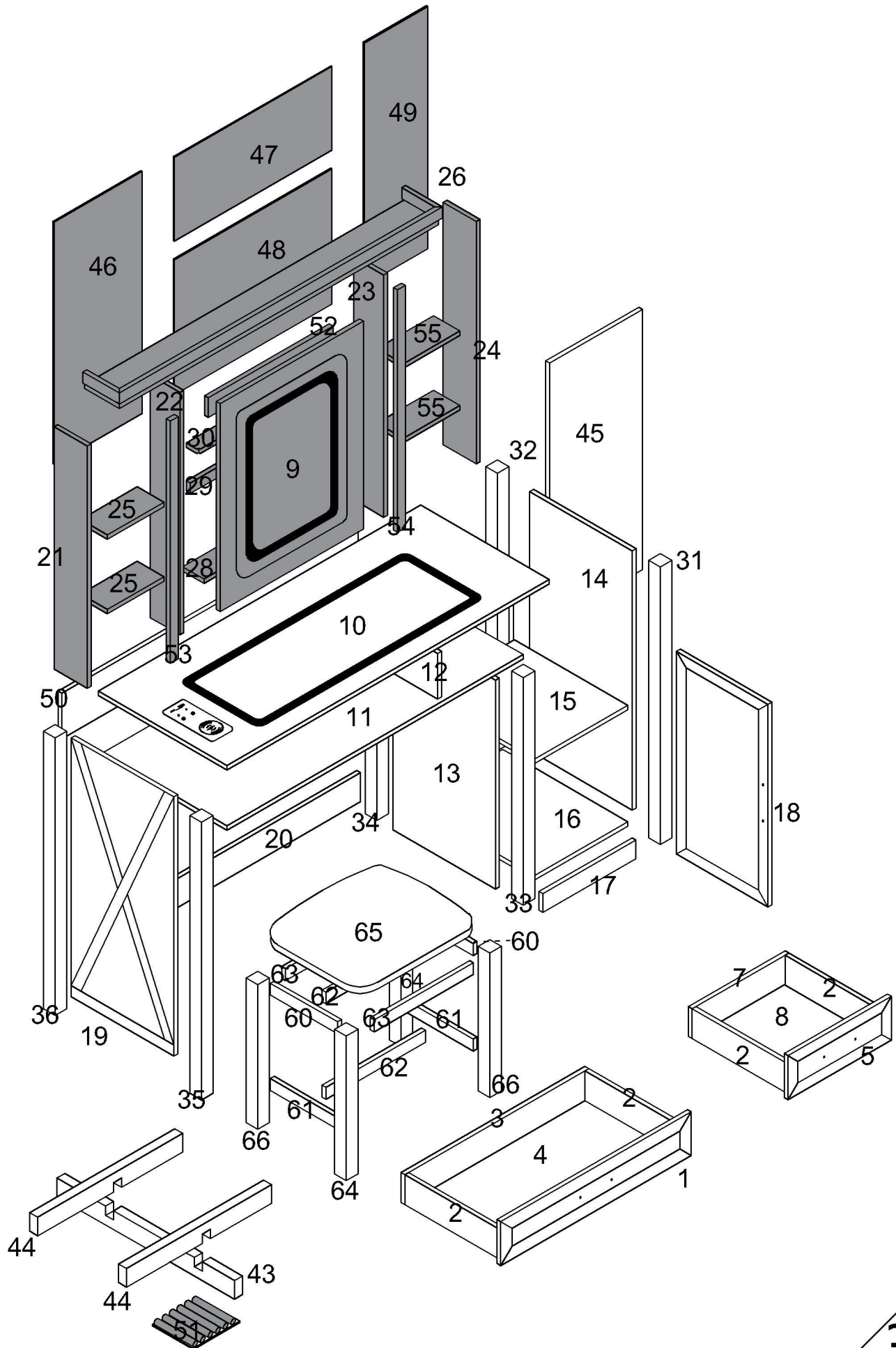


Step 52

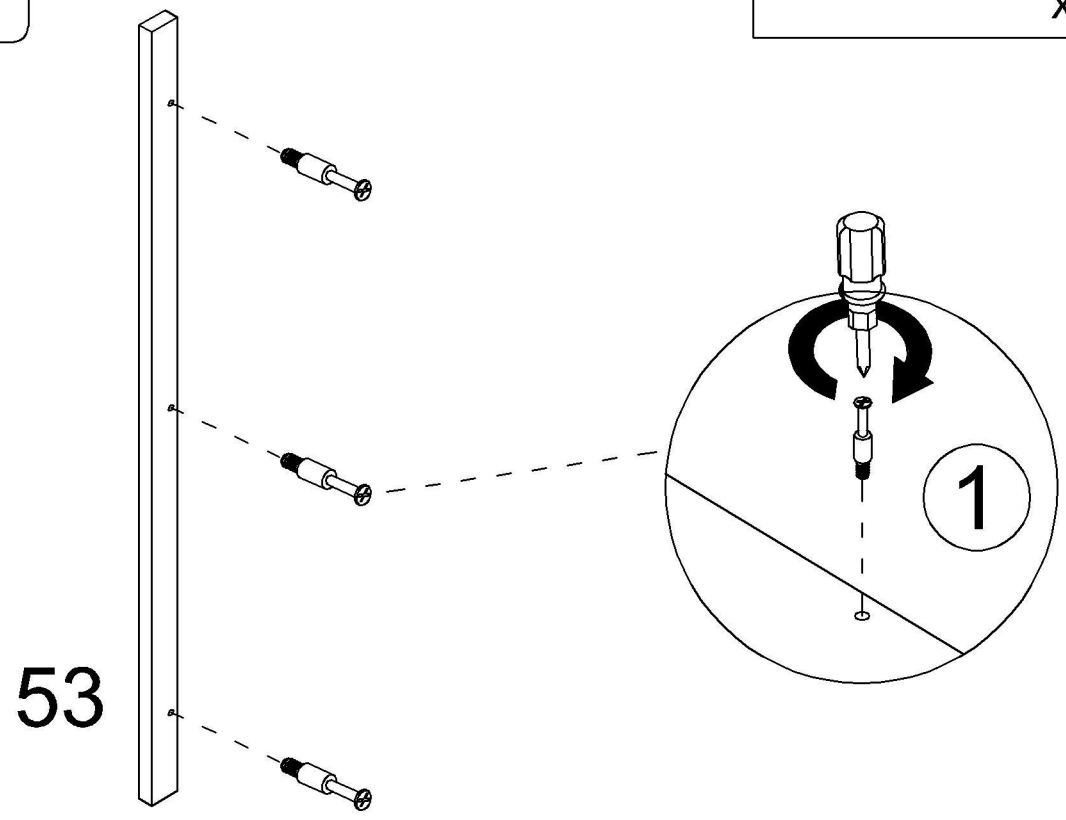
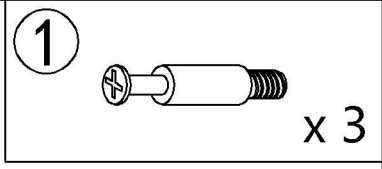
- ⑤ 2pcs x 2



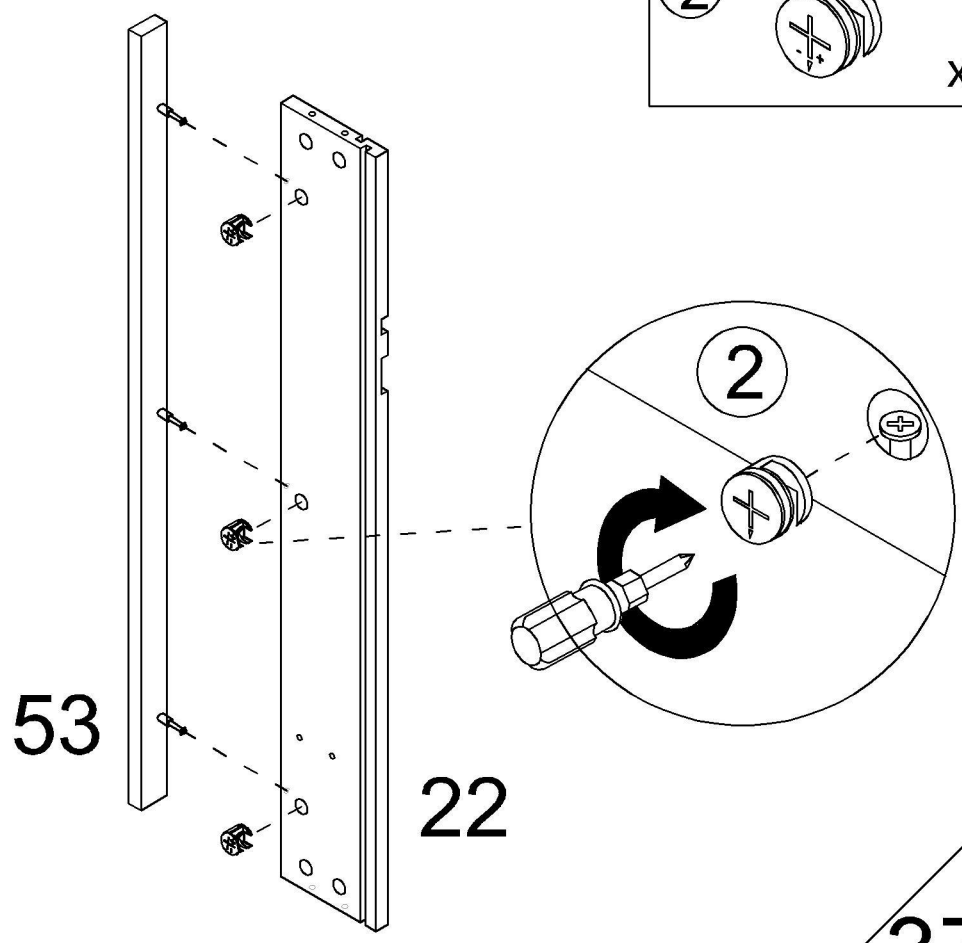
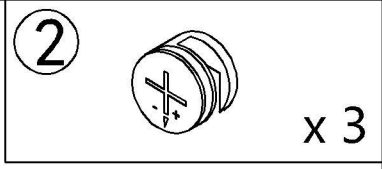
Vanity Table Manual 85041



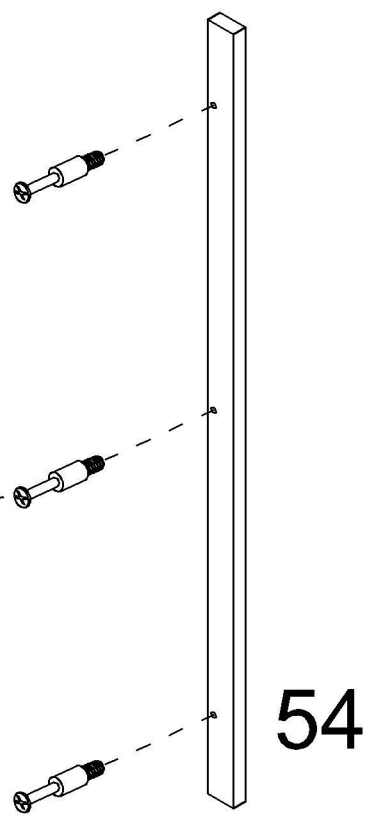
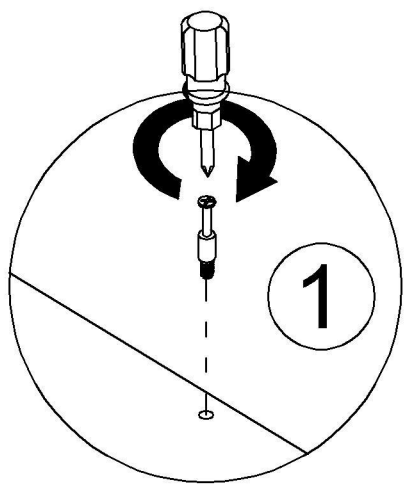
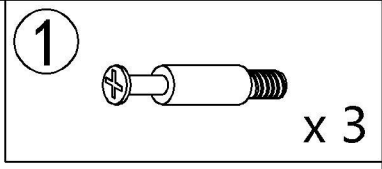
Step 53



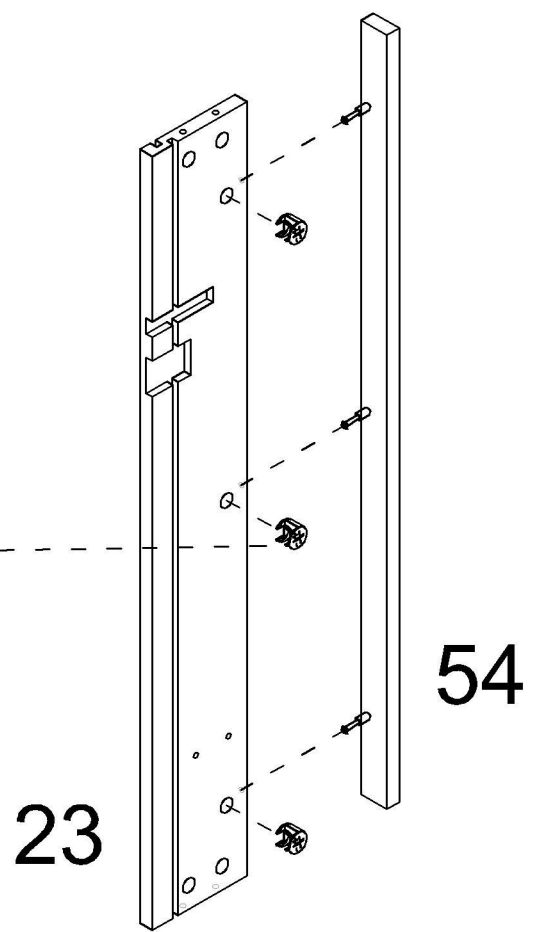
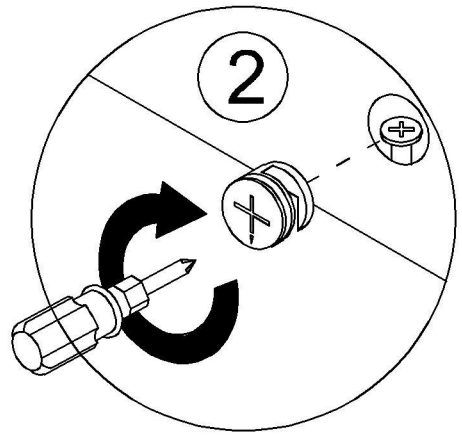
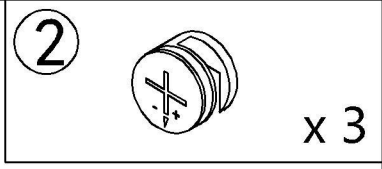
Step 54



Step 55



Step 56

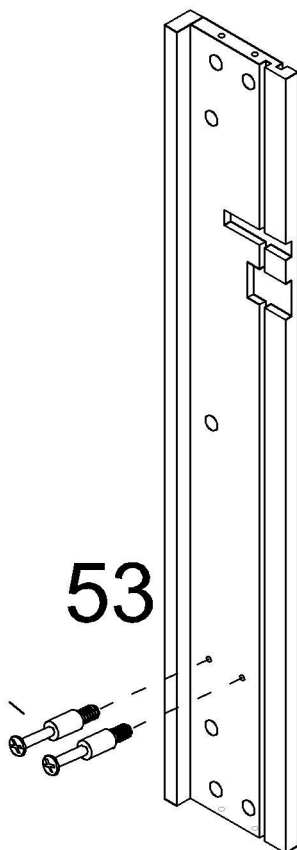
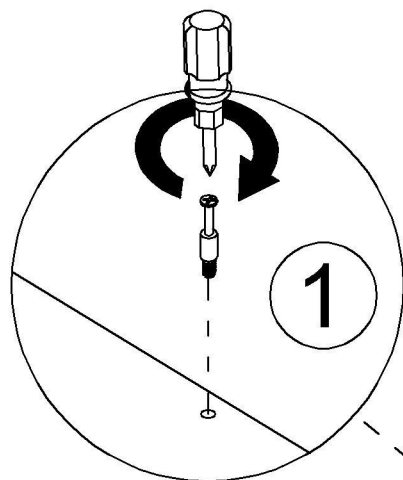


Step 57

1



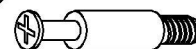
x 2



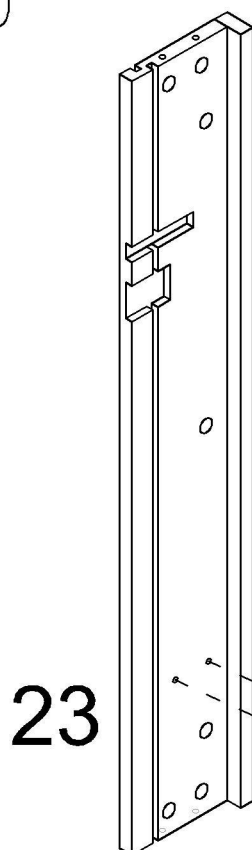
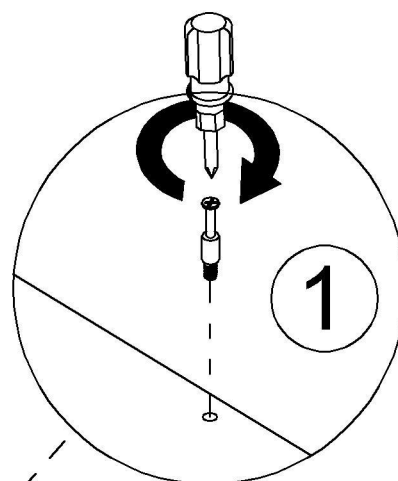
22

Step 58

1




x 2

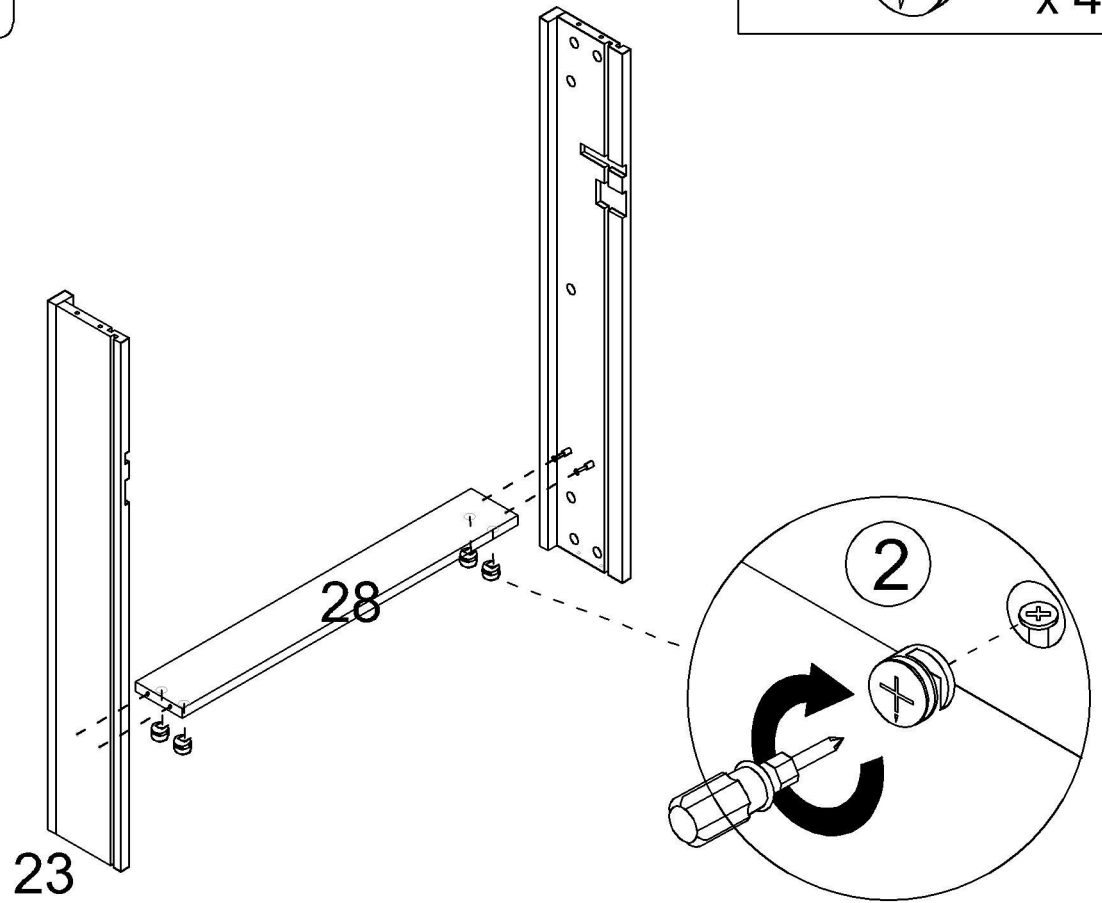


54

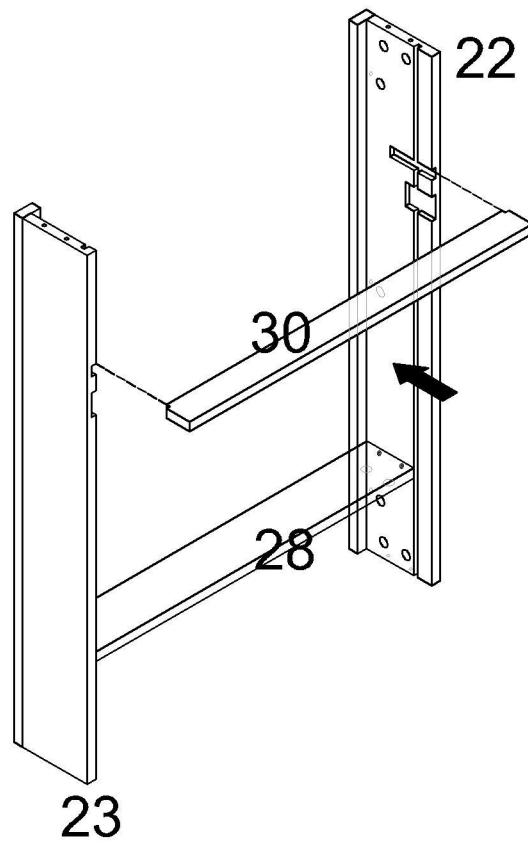
23

Step 59

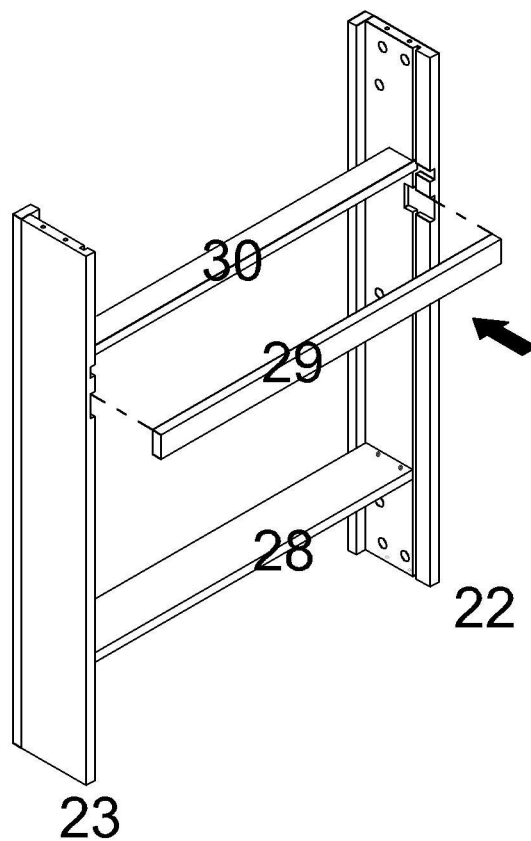
②  x 4



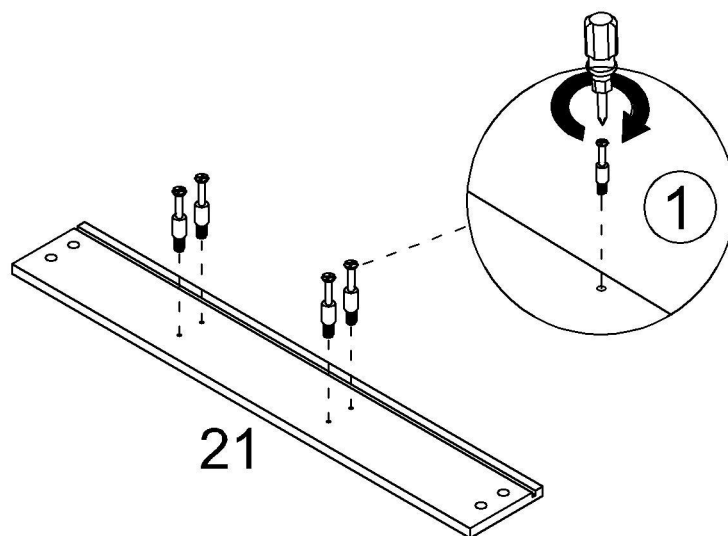
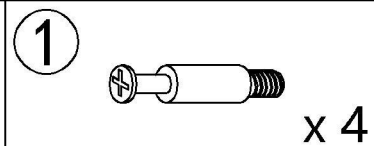
Step 60



Step 61

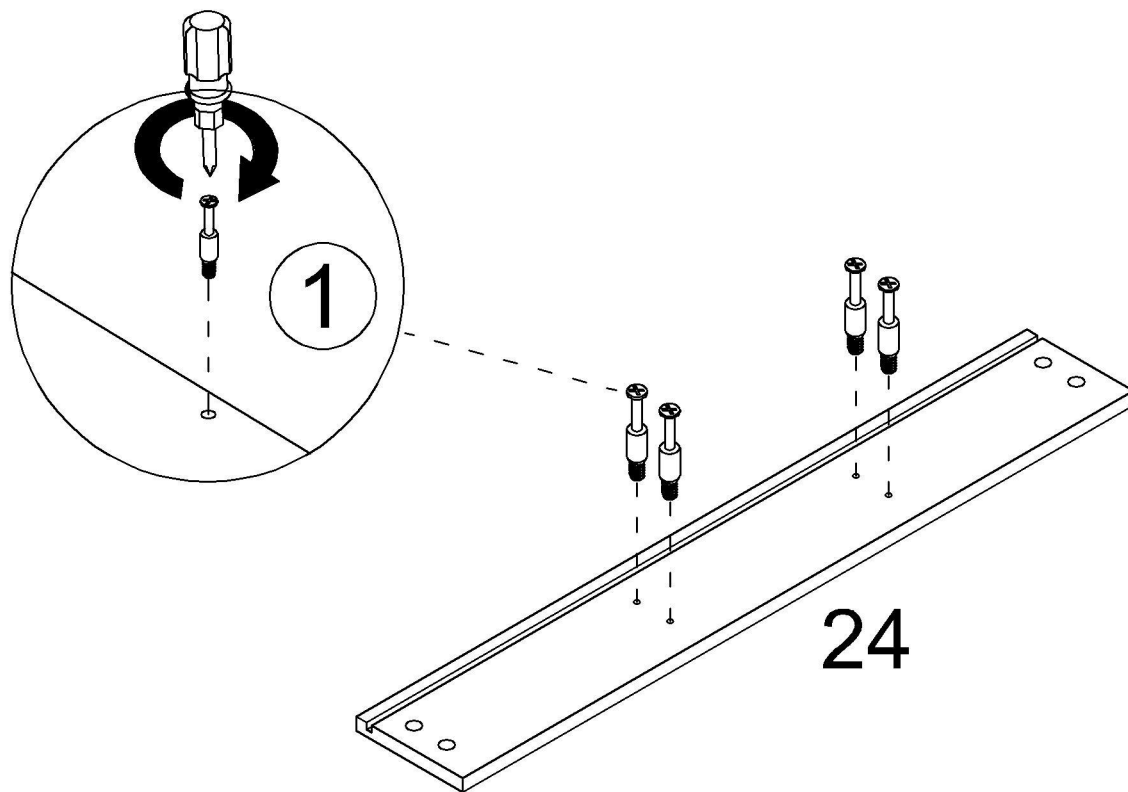
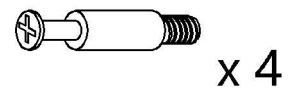


Step 62



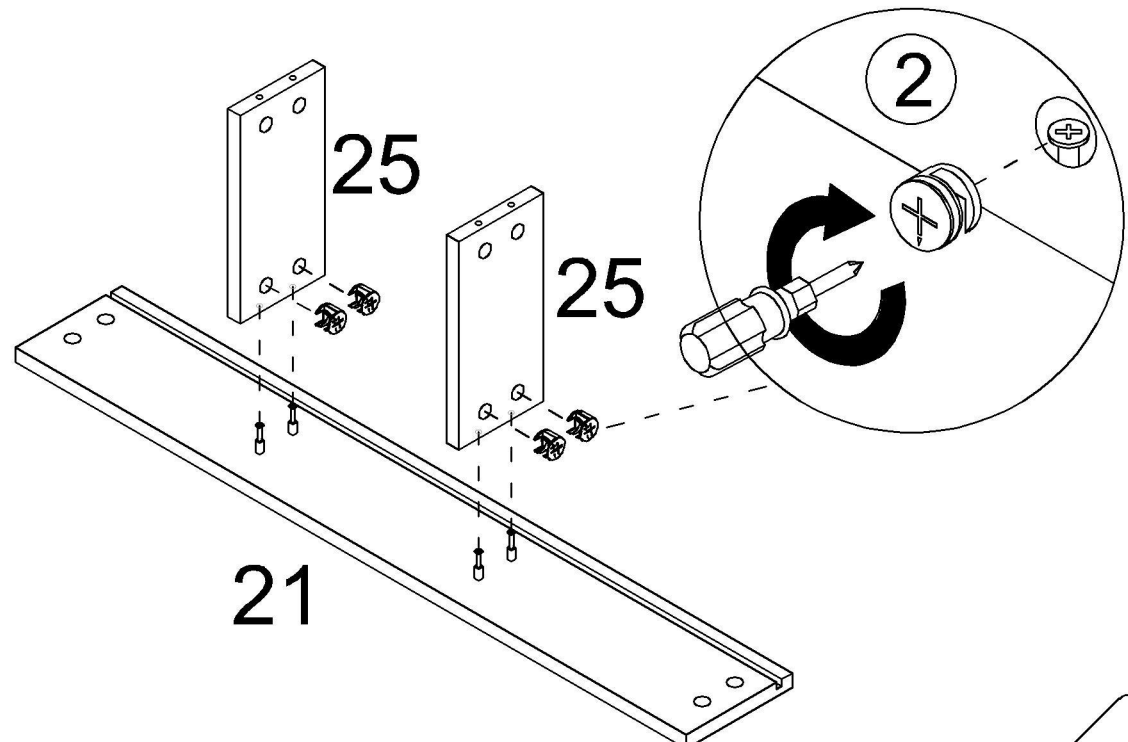
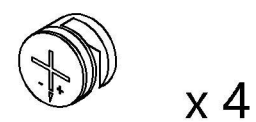
Step 63

1



Step 64

2

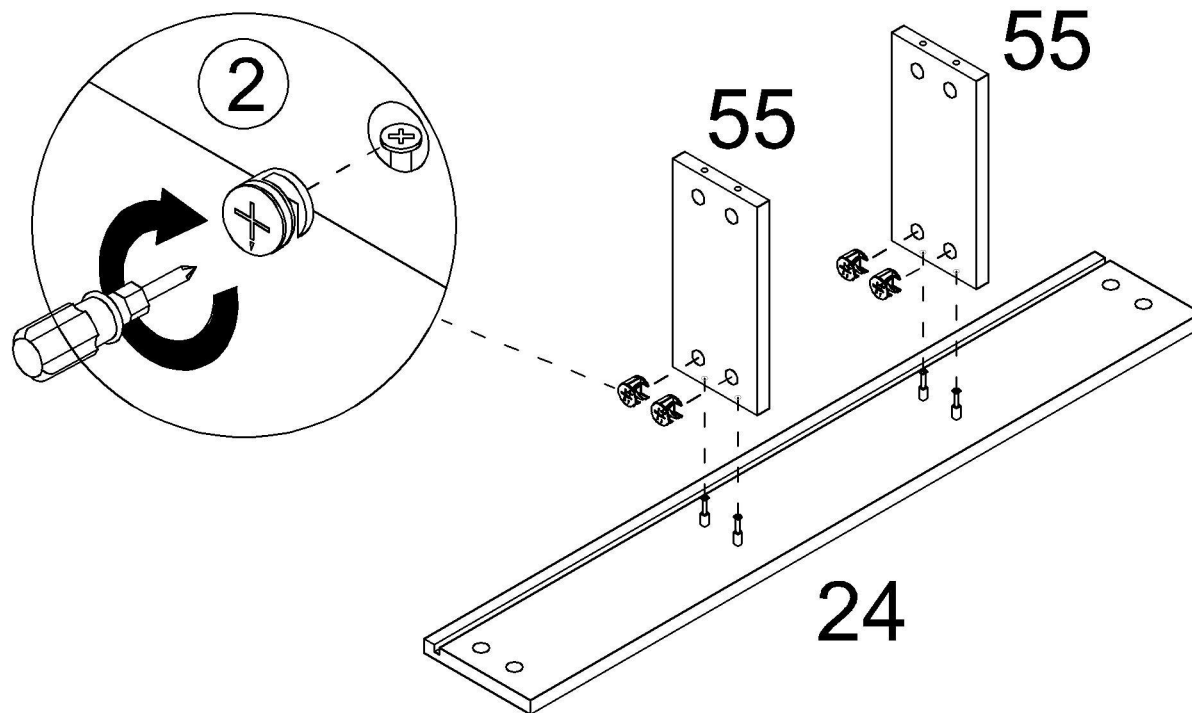


Step 65

2



x 4

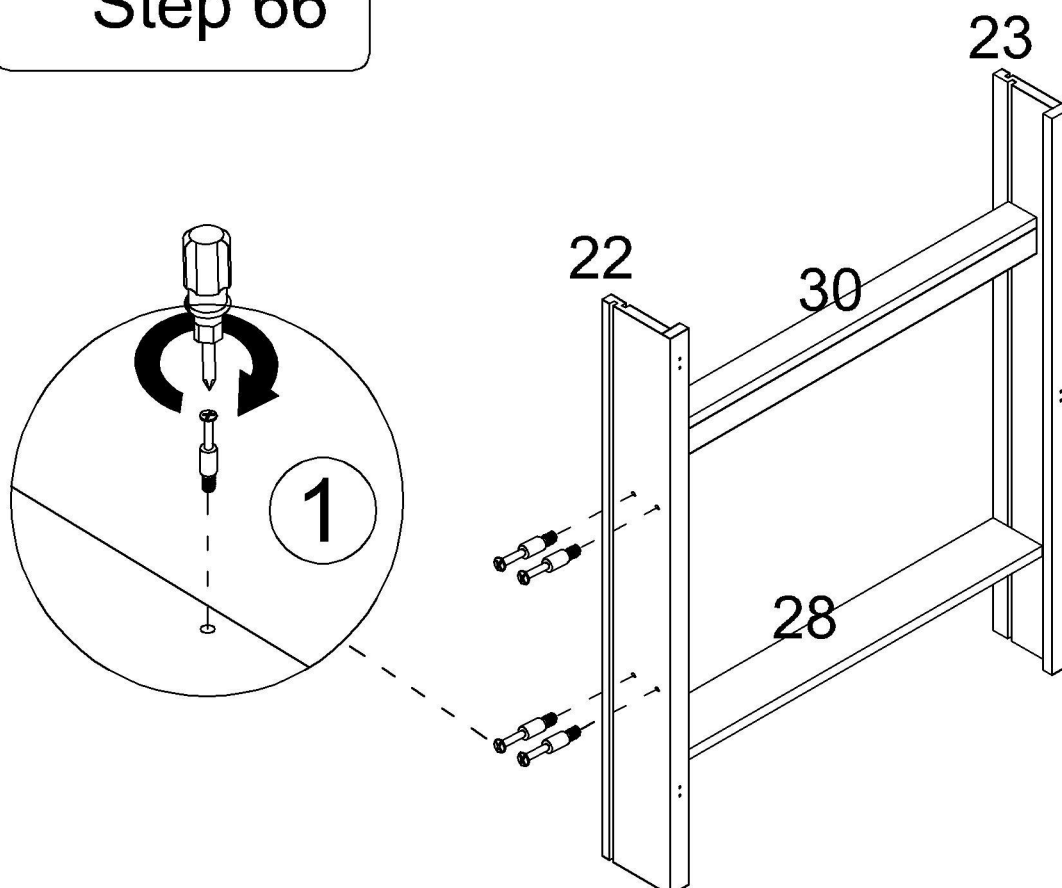


Step 66

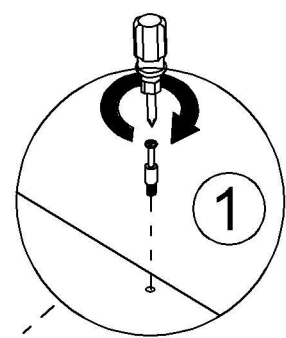
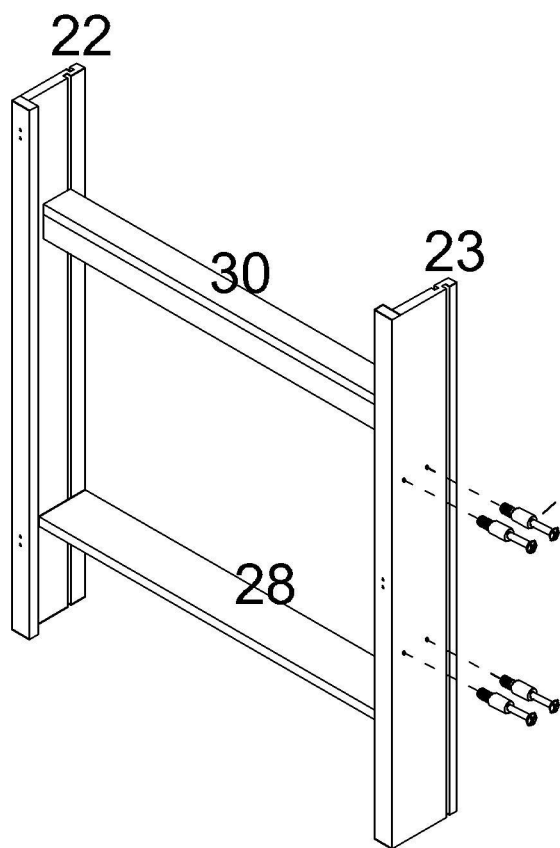
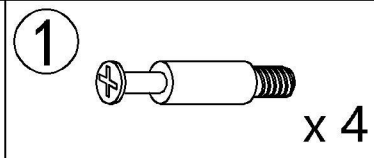
1



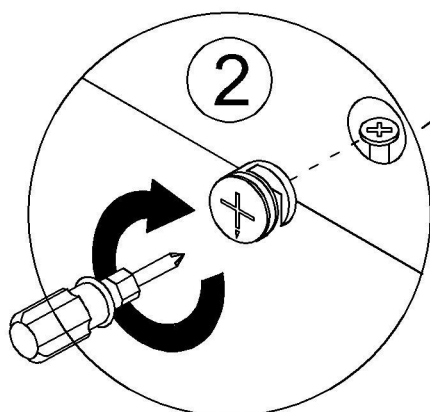
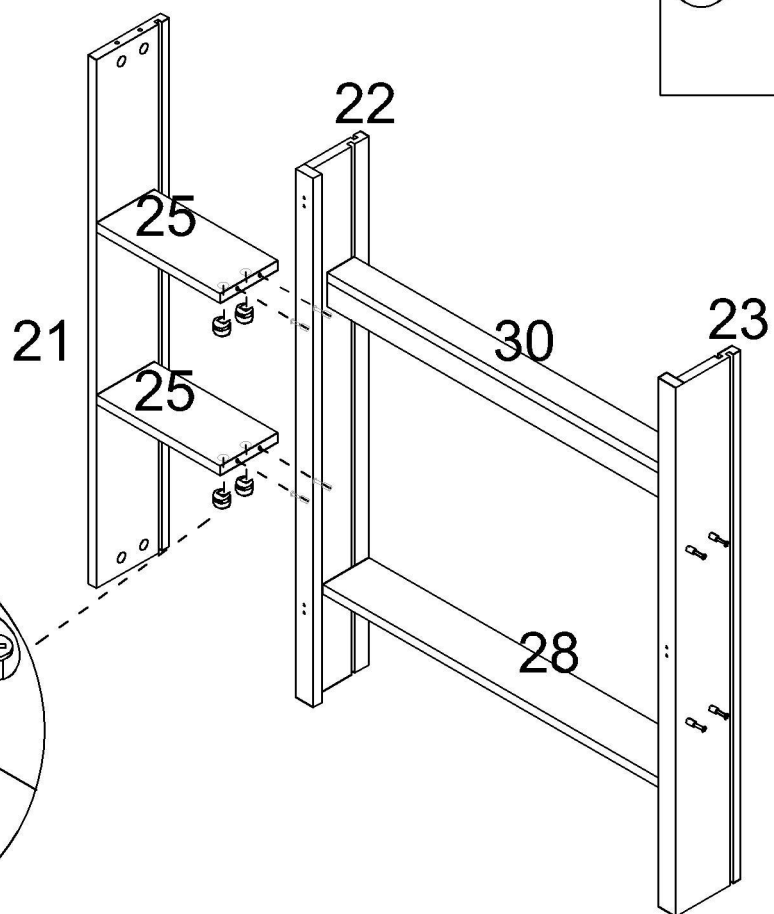
x 4



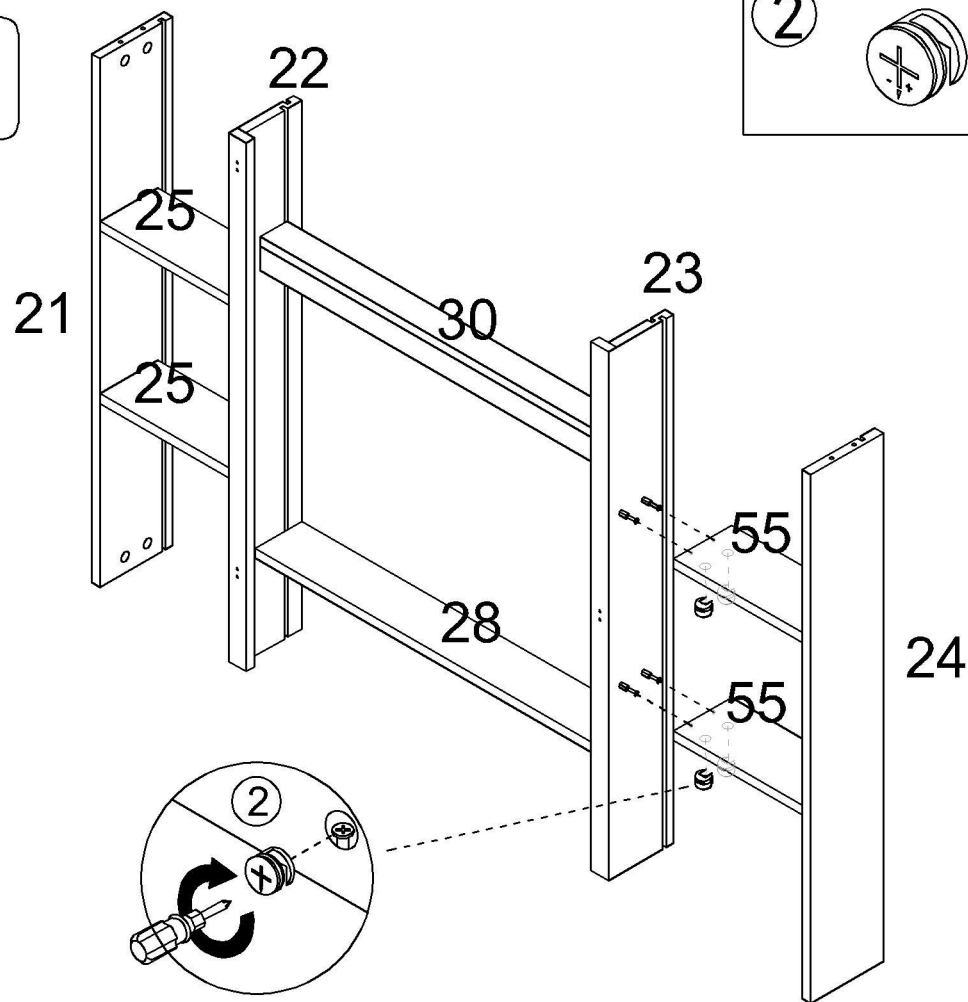
Step 67



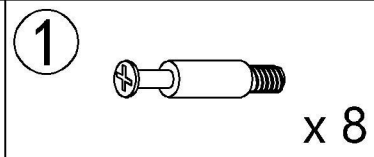
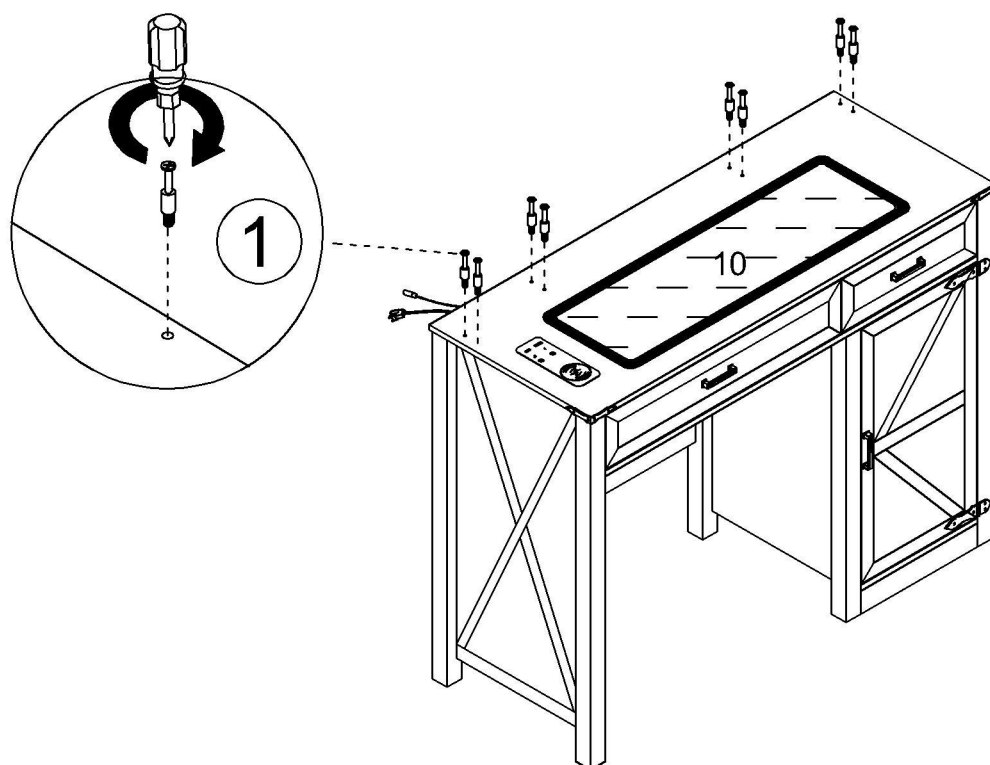
Step 68



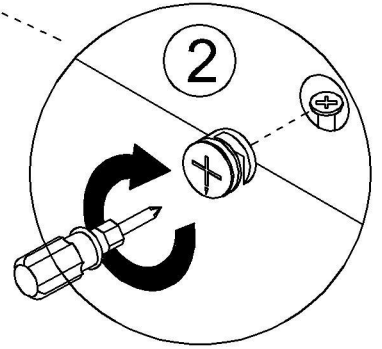
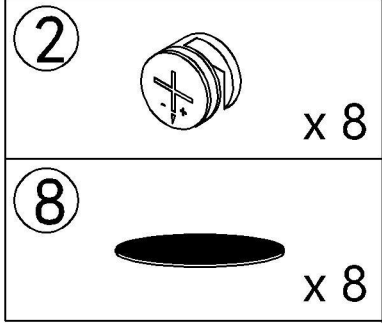
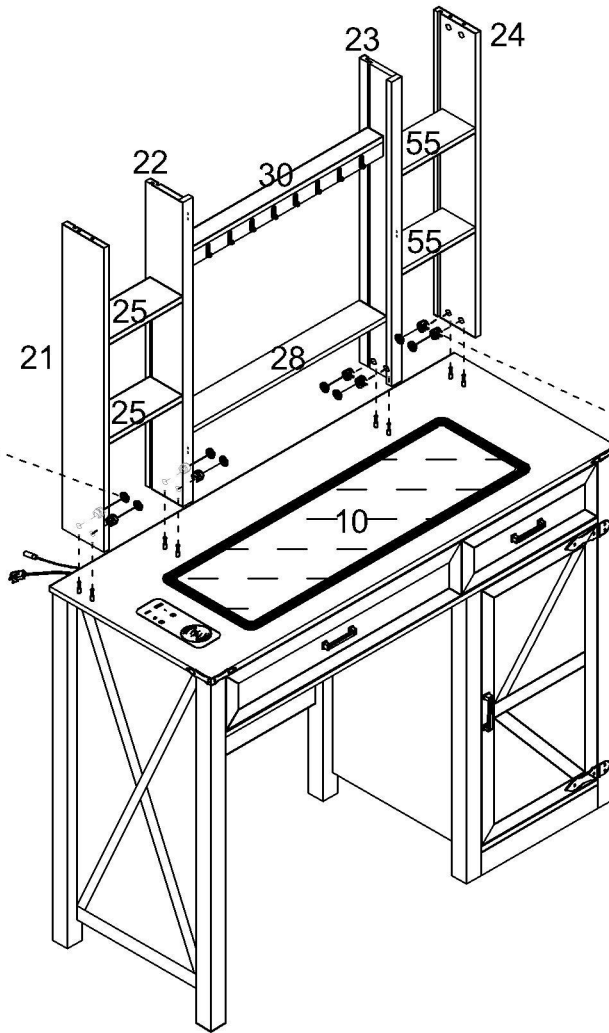
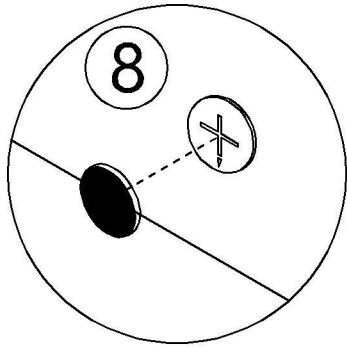
Step 69



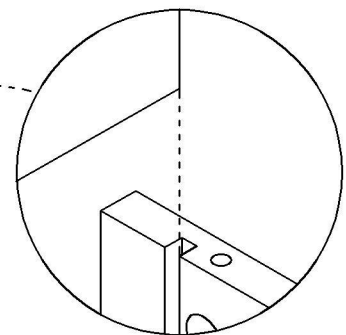
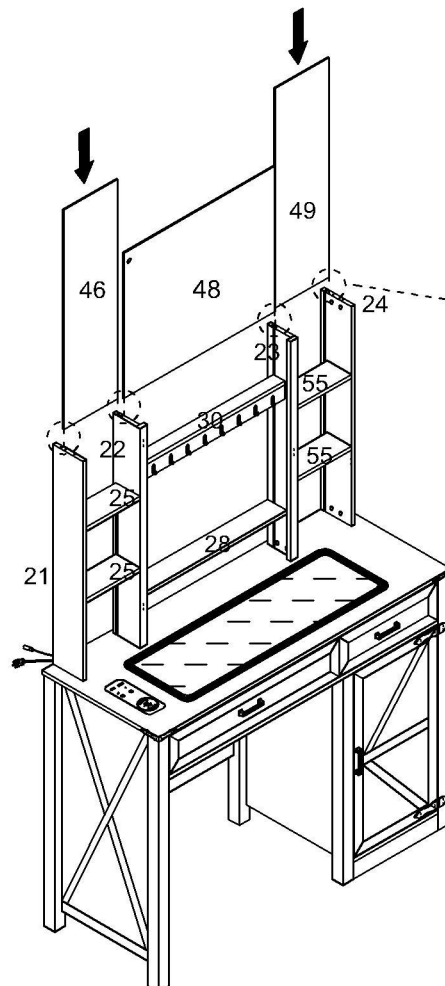
Step 70



Step 71

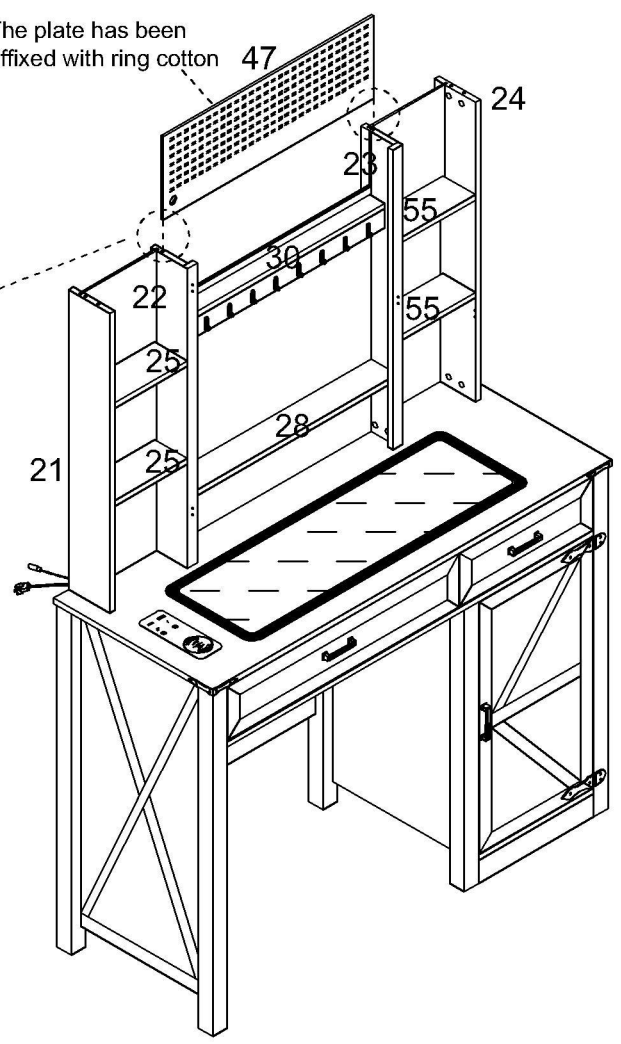
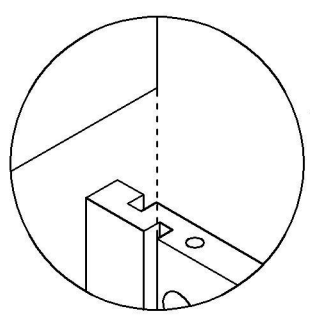


Step 72

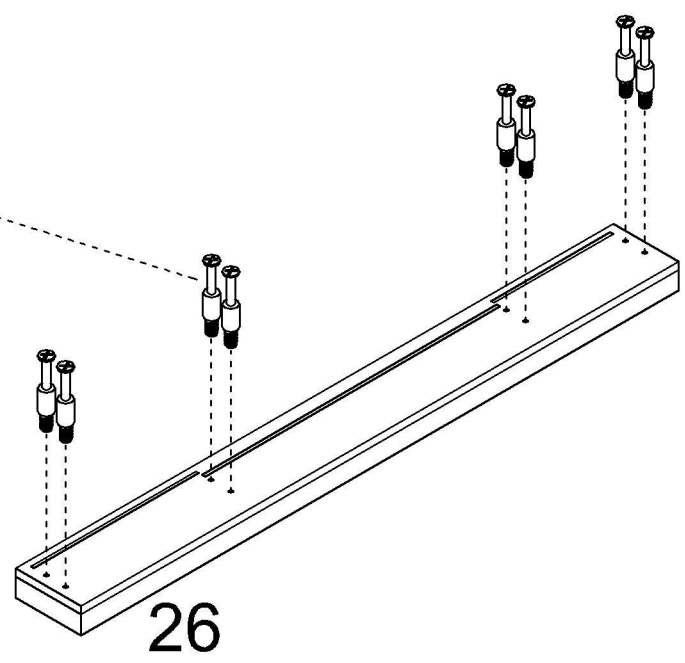
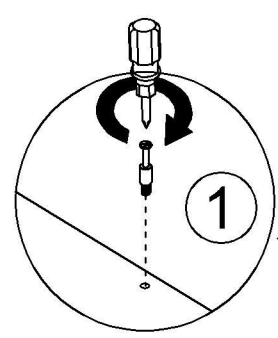
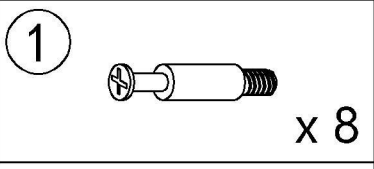


Step 73

The plate has been affixed with ring cotton 47



Step 74

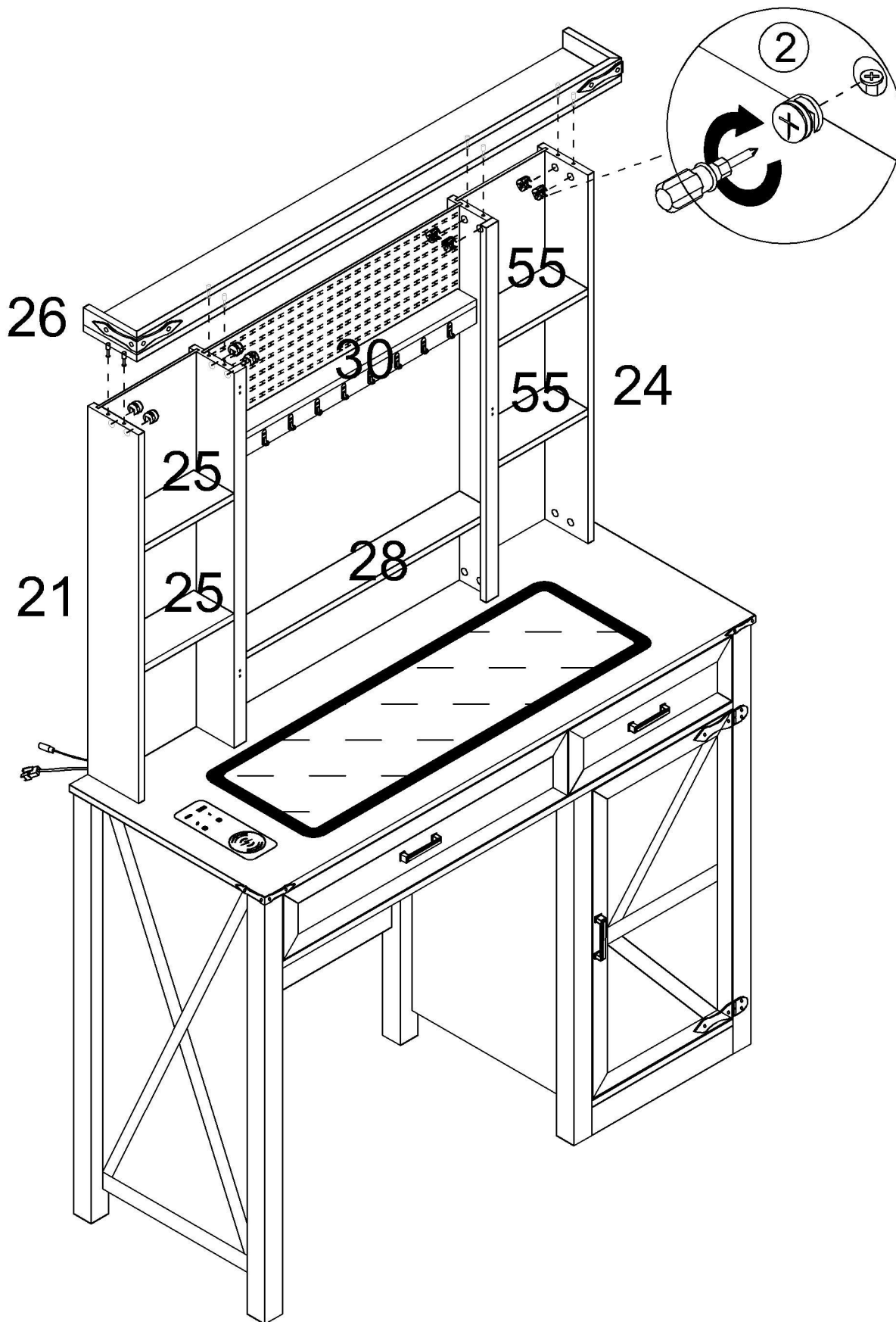


Step 75

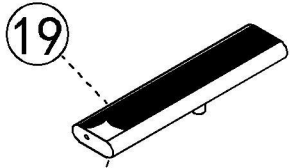
2



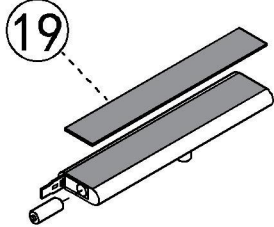
x 8



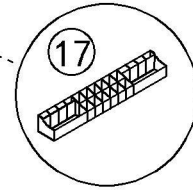
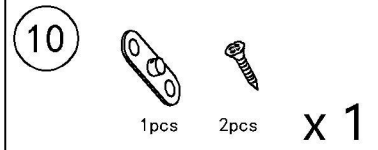
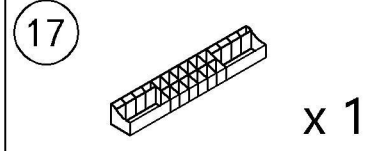
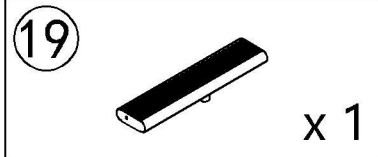
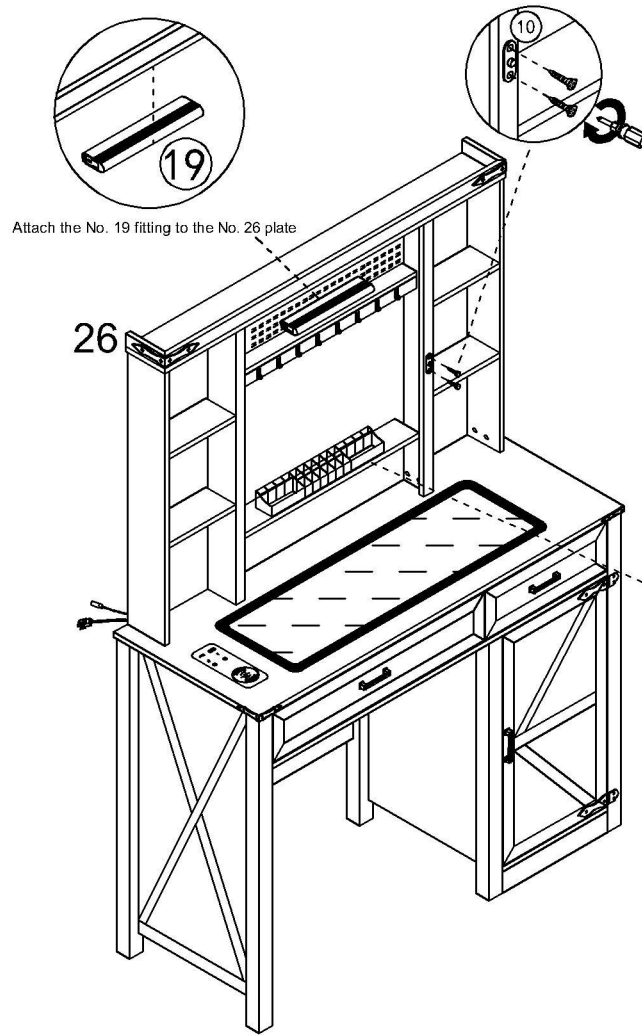
Step 76



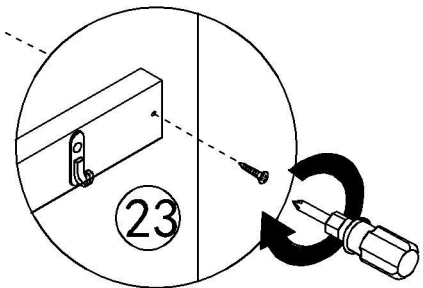
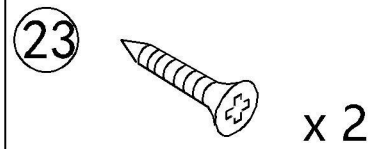
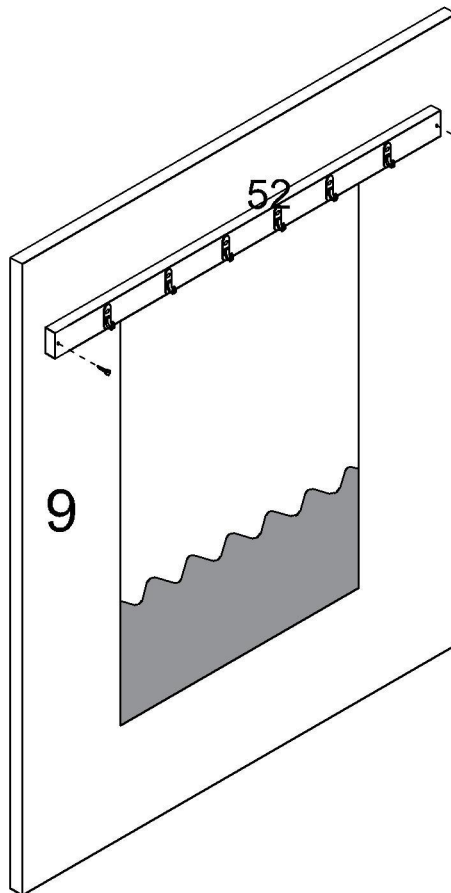
Tear off the adhesive tape on the back







The size 19 fitting can be removed separately from the lamp and magnet for battery replacement

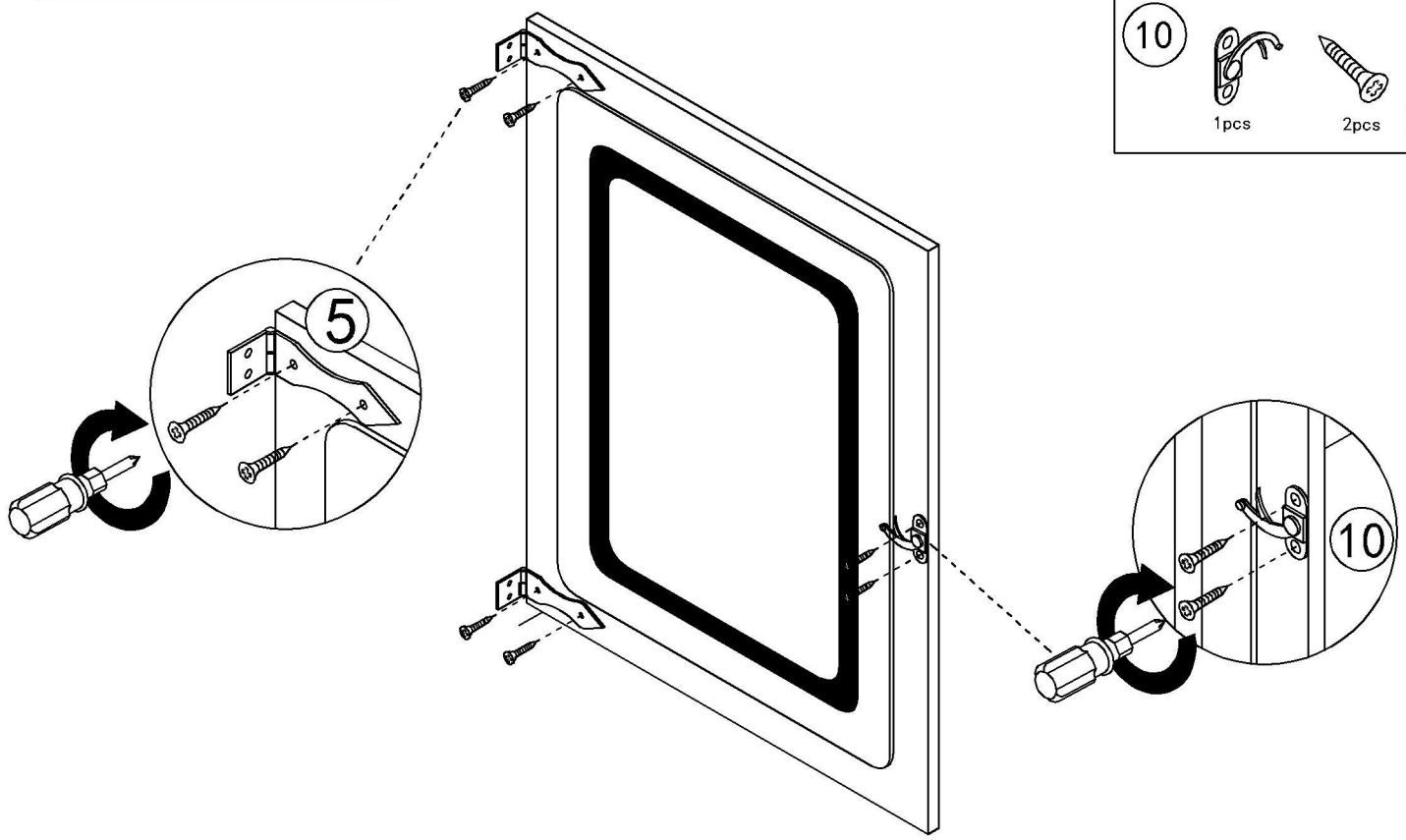


Step 77




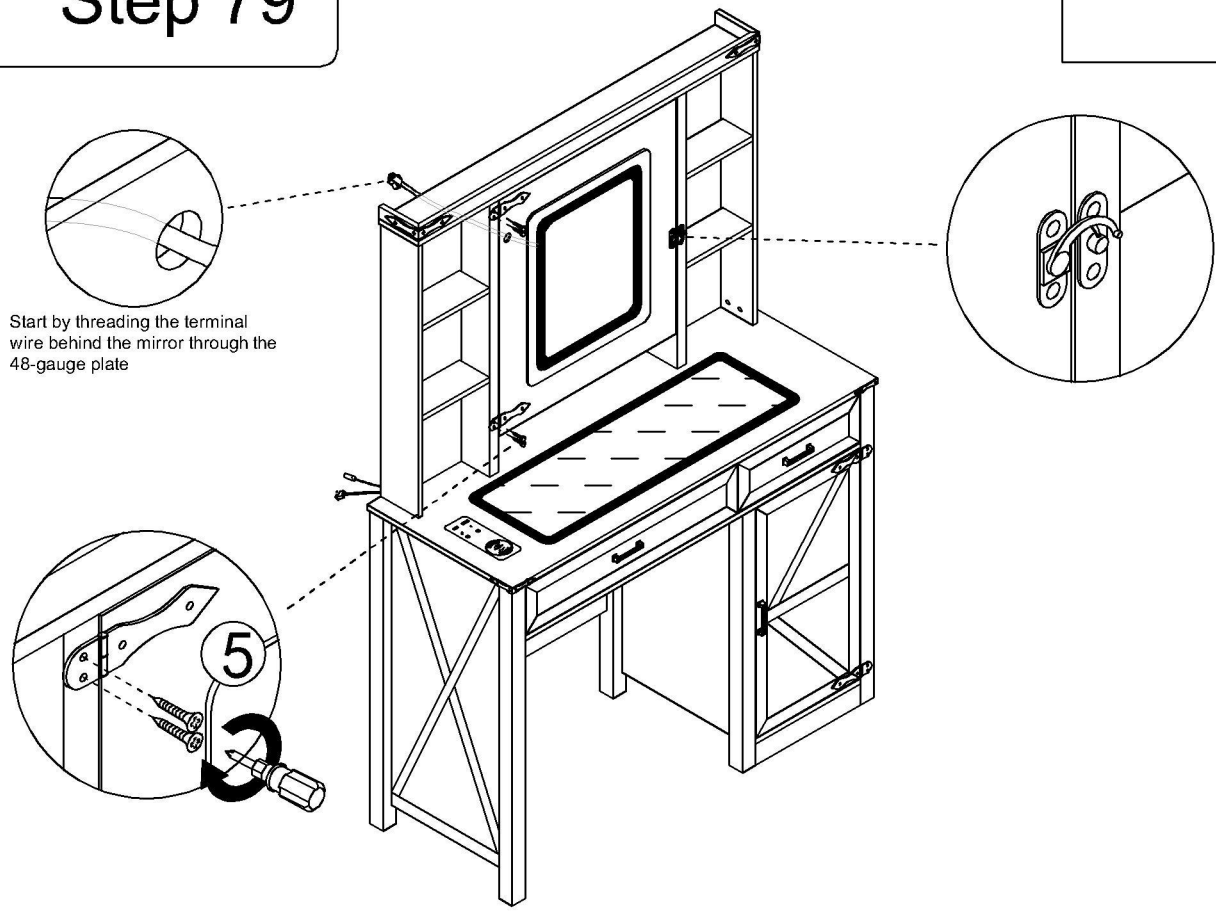
Step 78

- 5   1pcs 2pcs x 2
- 10   1pcs 2pcs x 1



Step 79


- 5  x 4

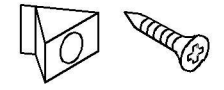



Start by threading the terminal wire behind the mirror through the 48-gauge plate

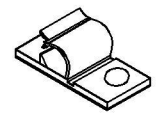
When the mirror is installed, another person is holding the mirror while it is being installed


Step 80

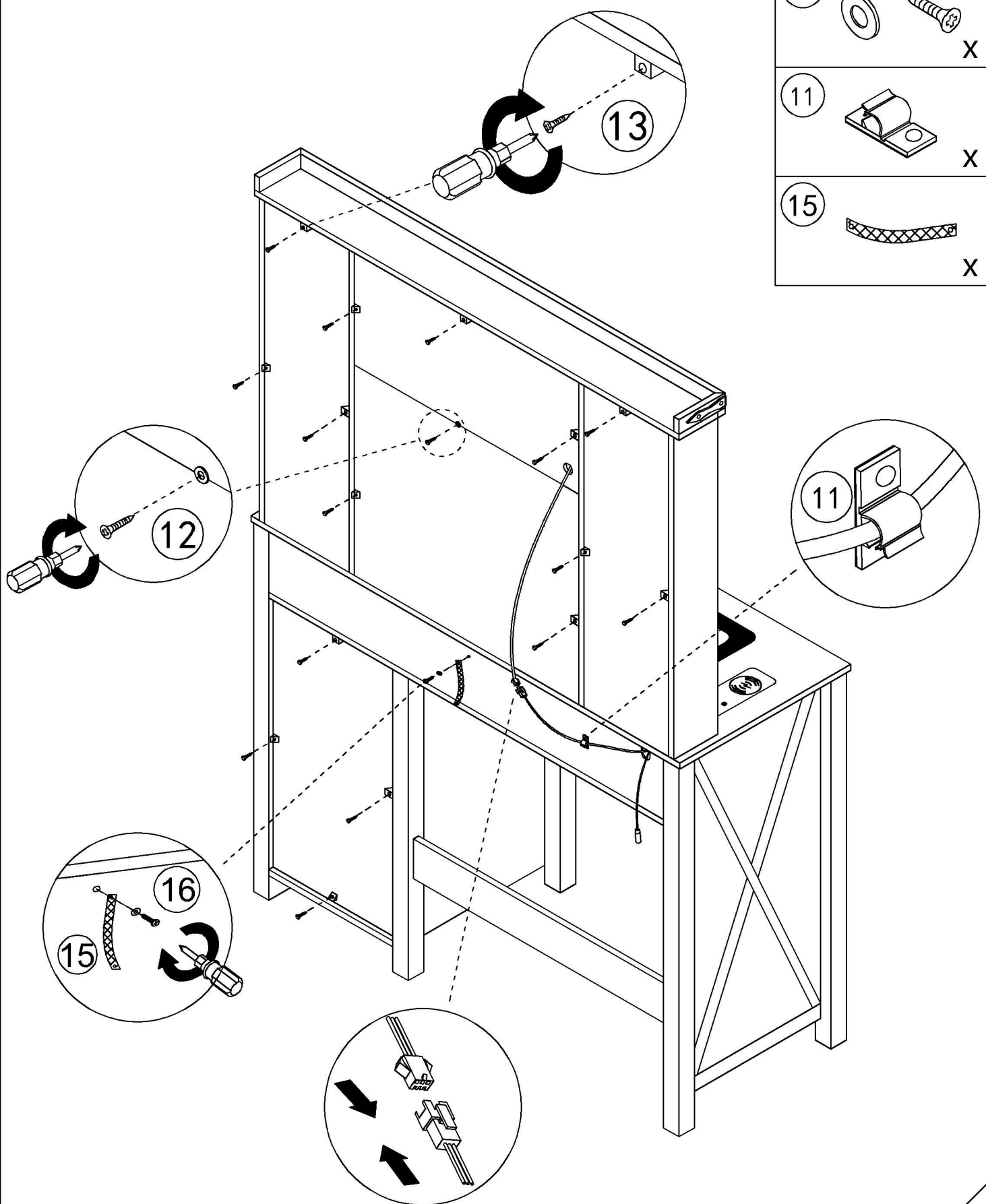
16  x 1

13  x 15

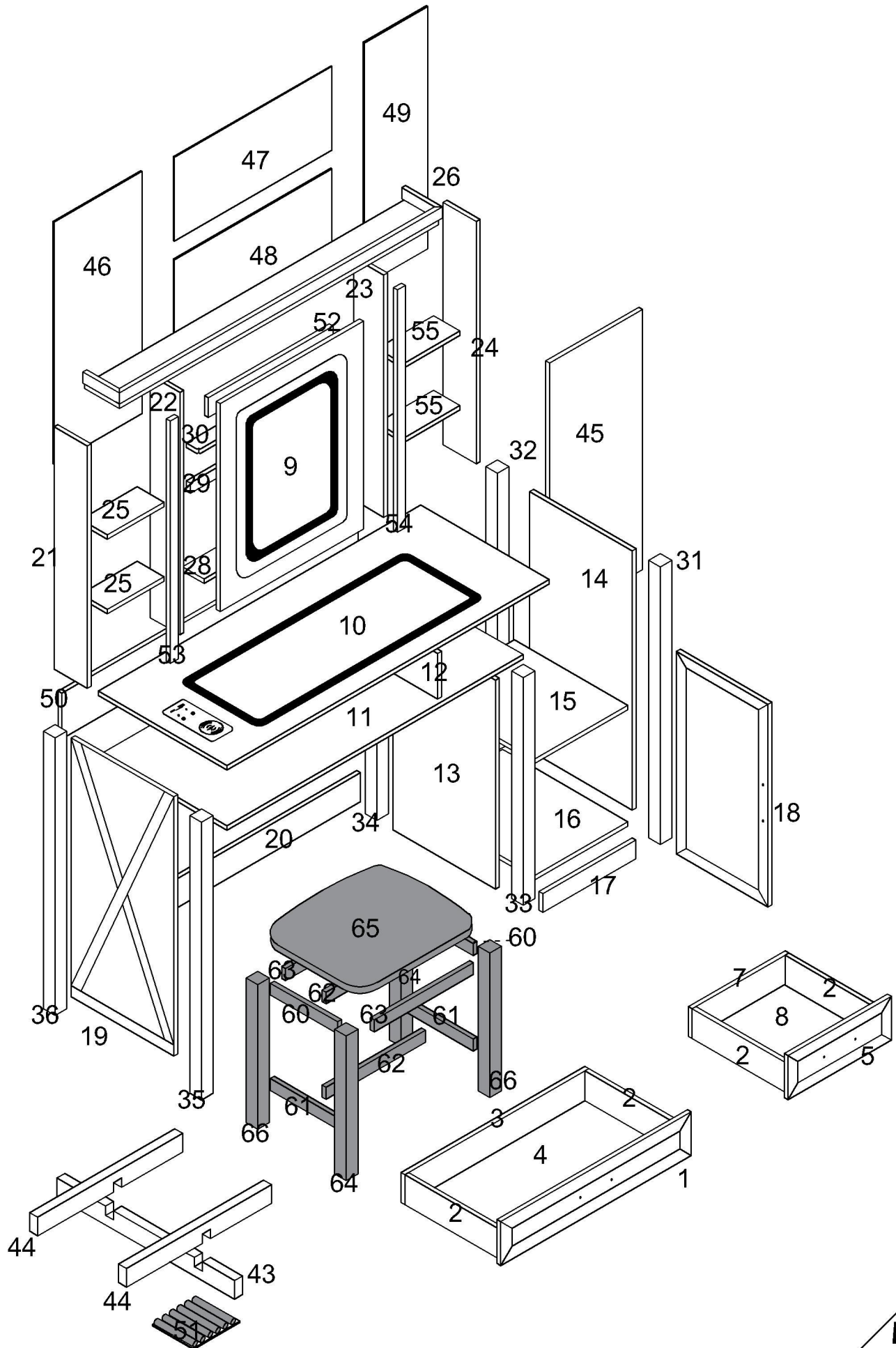
12  x 1

11  x 1

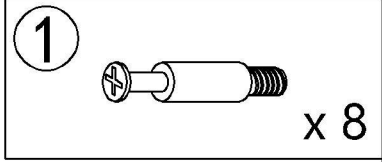
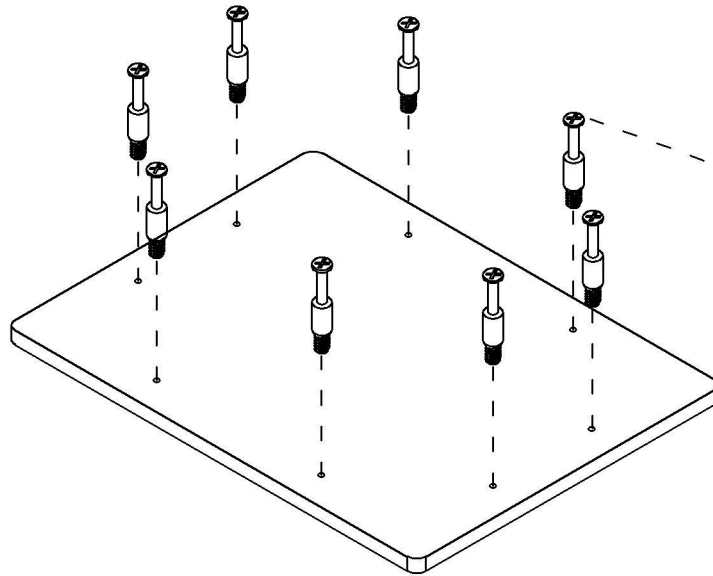
15  x 1



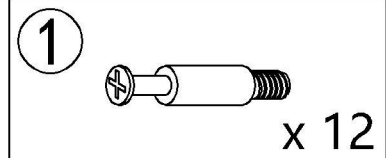
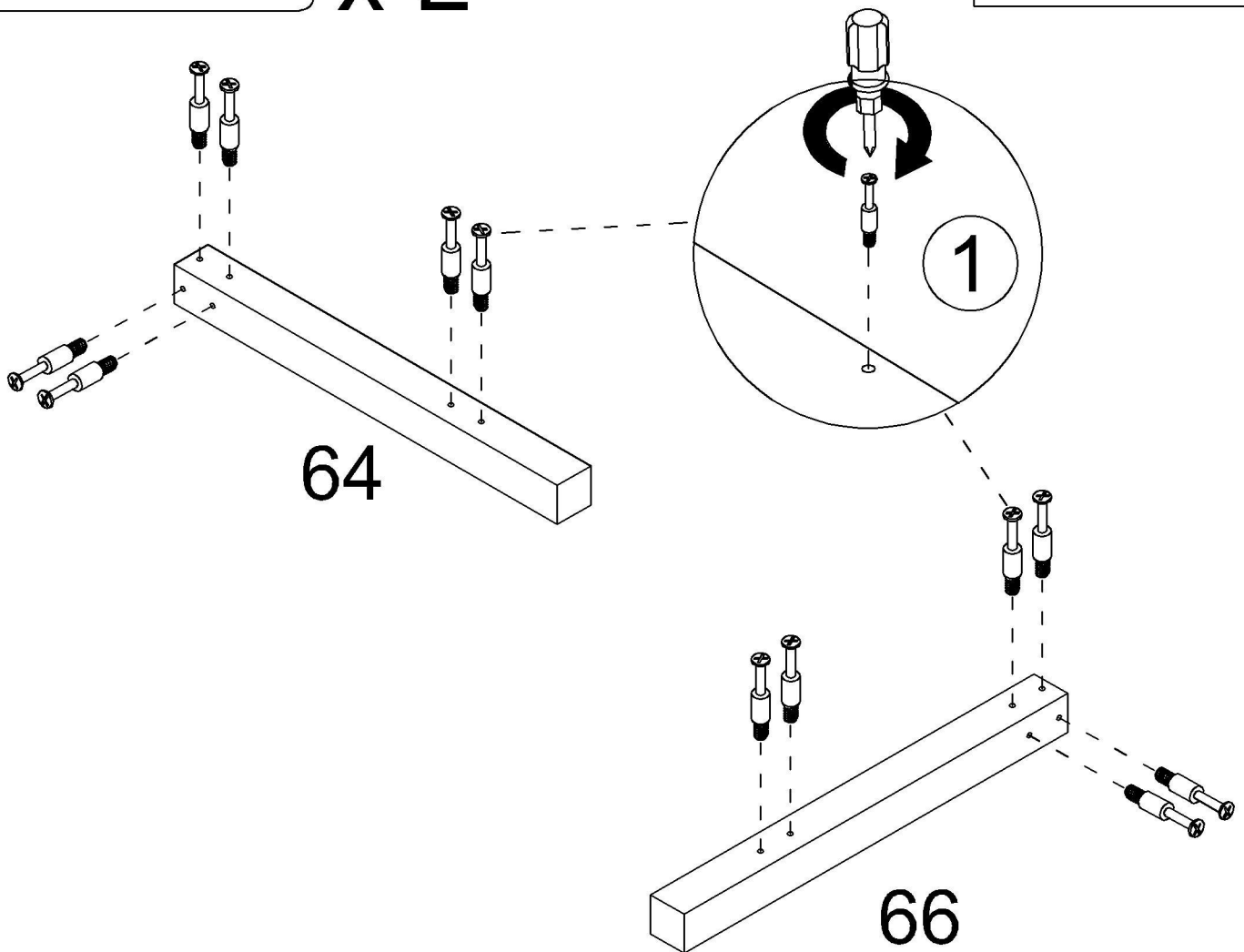
Vanity Table Manual 85041



Step 81

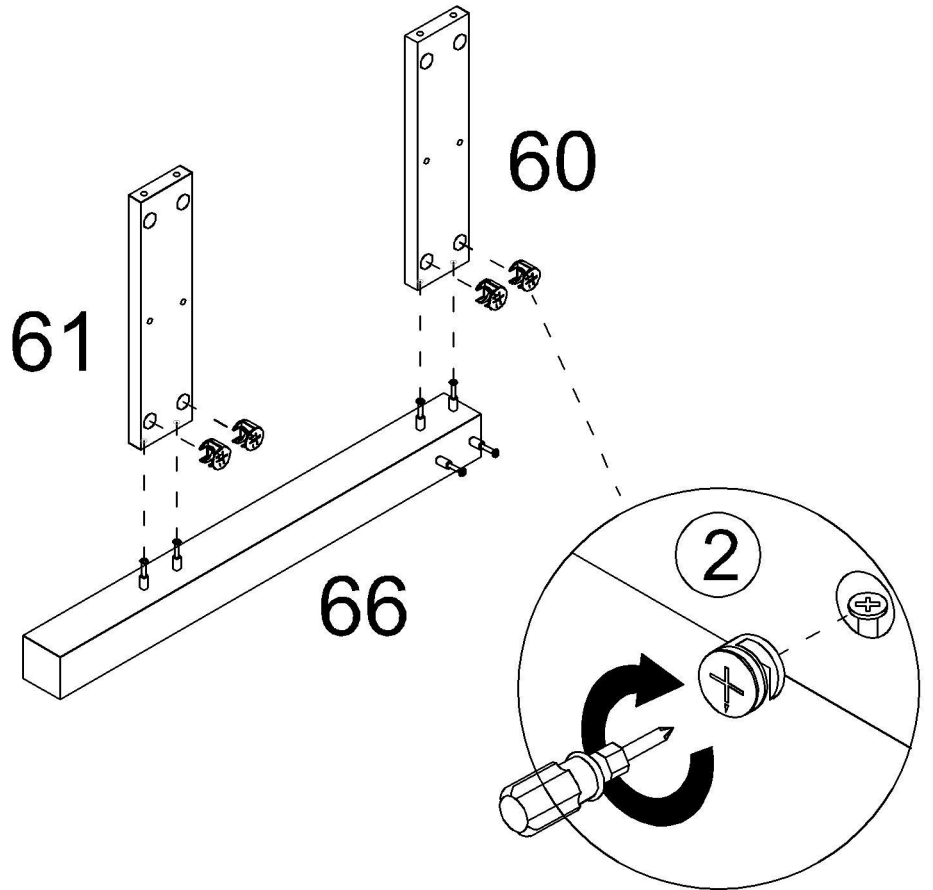
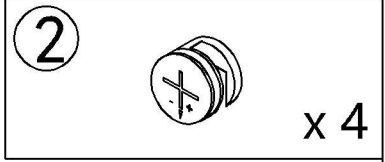


Step 82 x 2

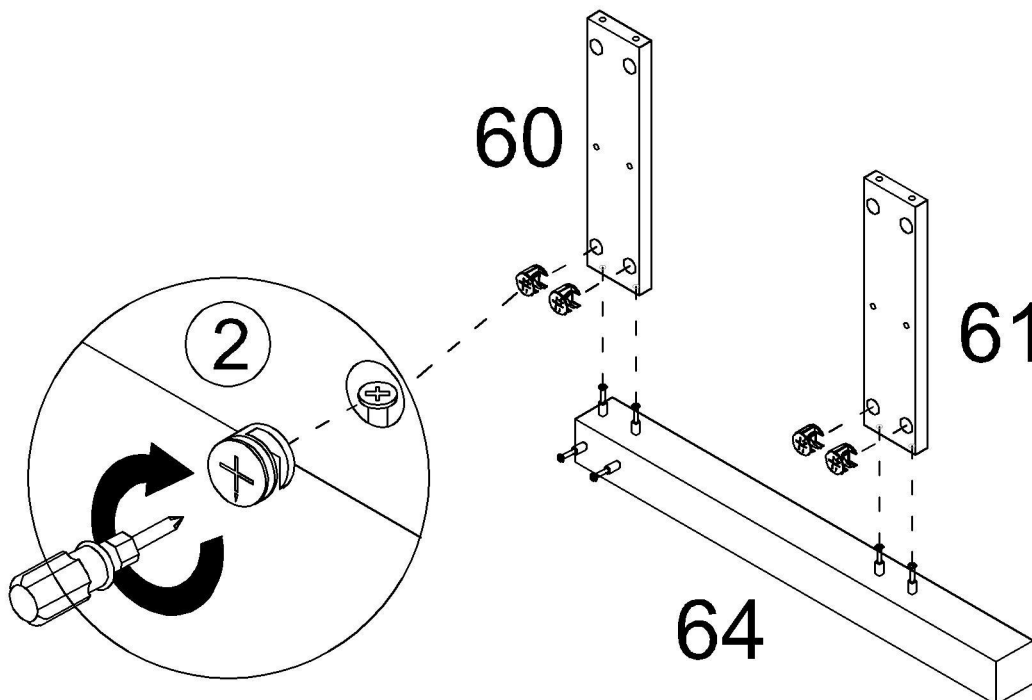
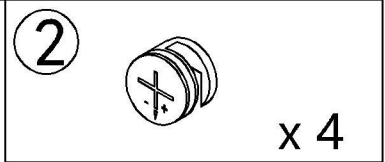


This step is repeated twice

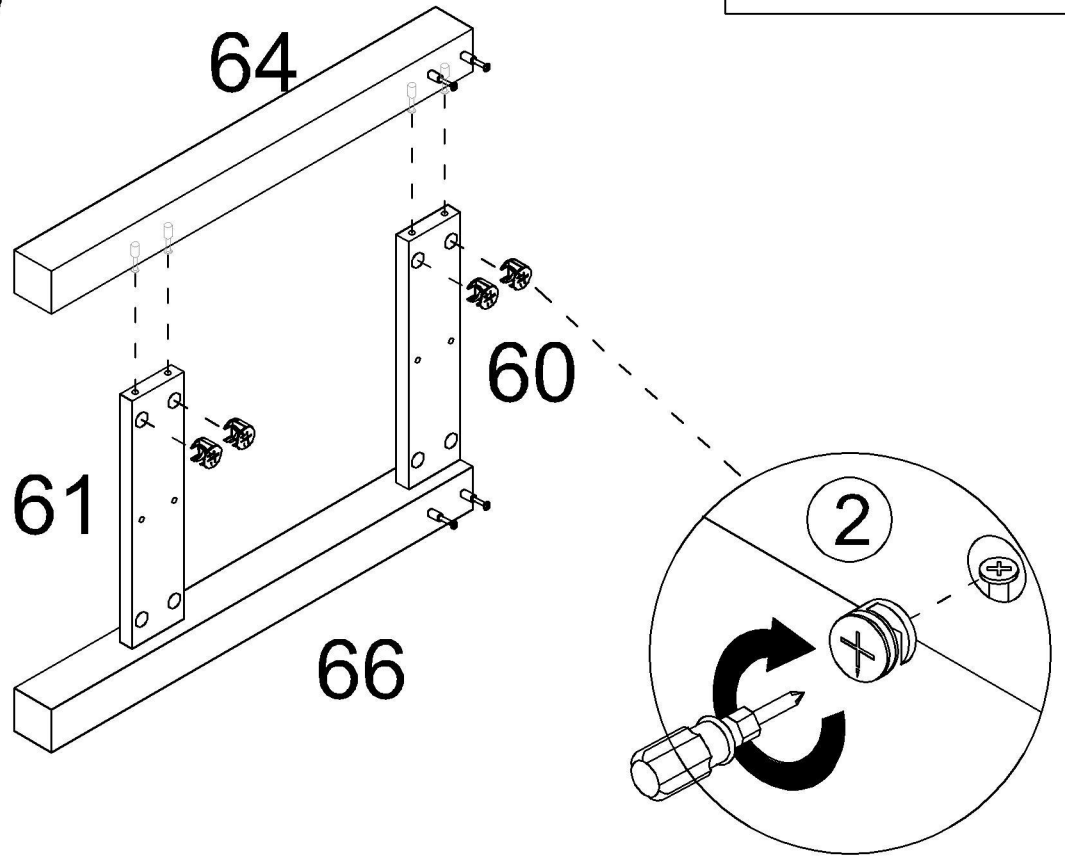
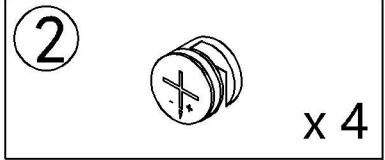
Step 83



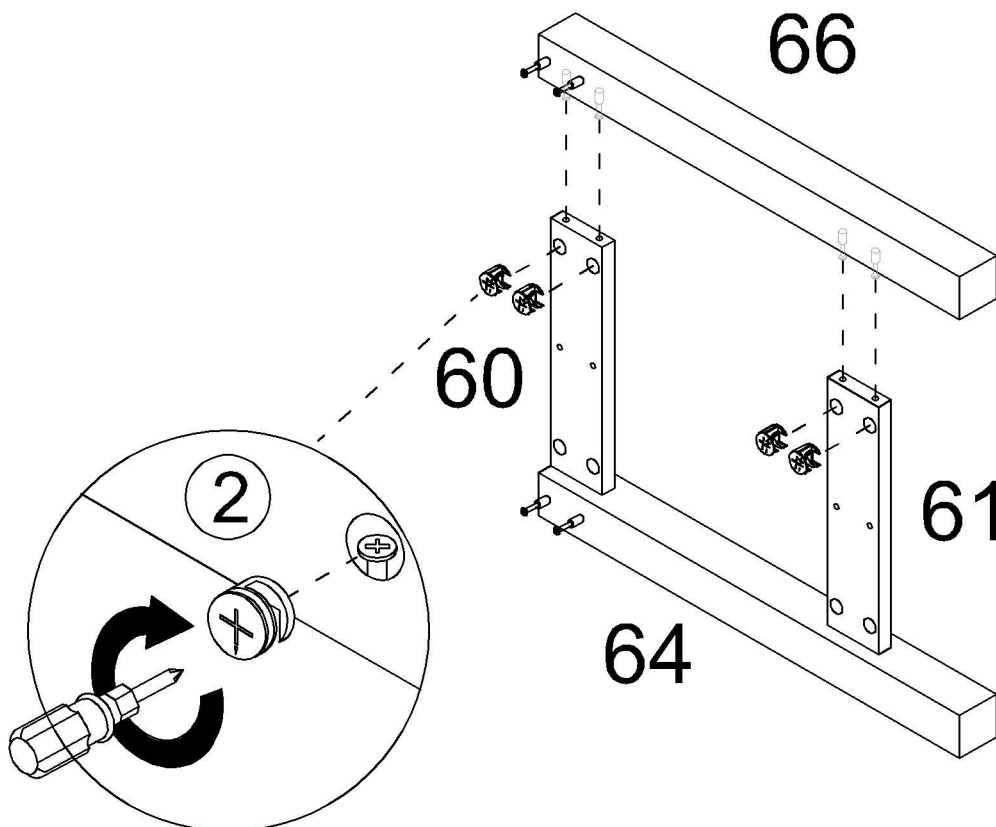
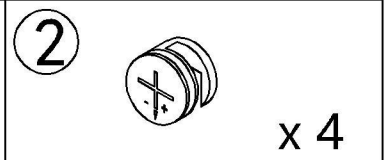
Step 84



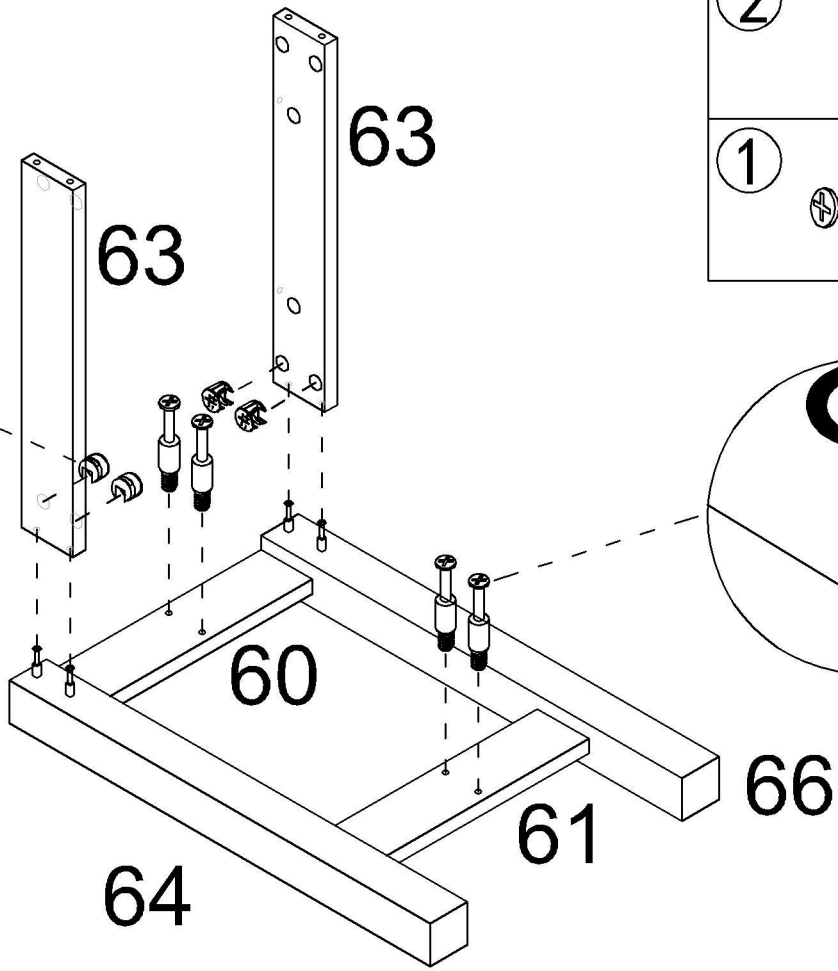
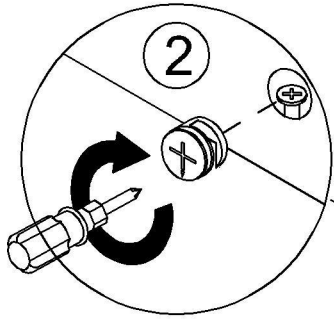
Step 85


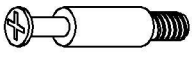


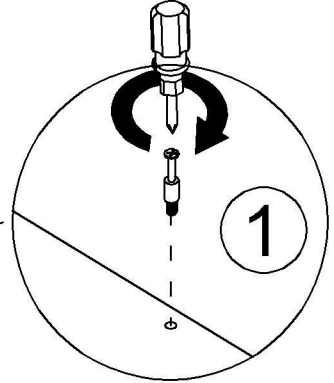
Step 86



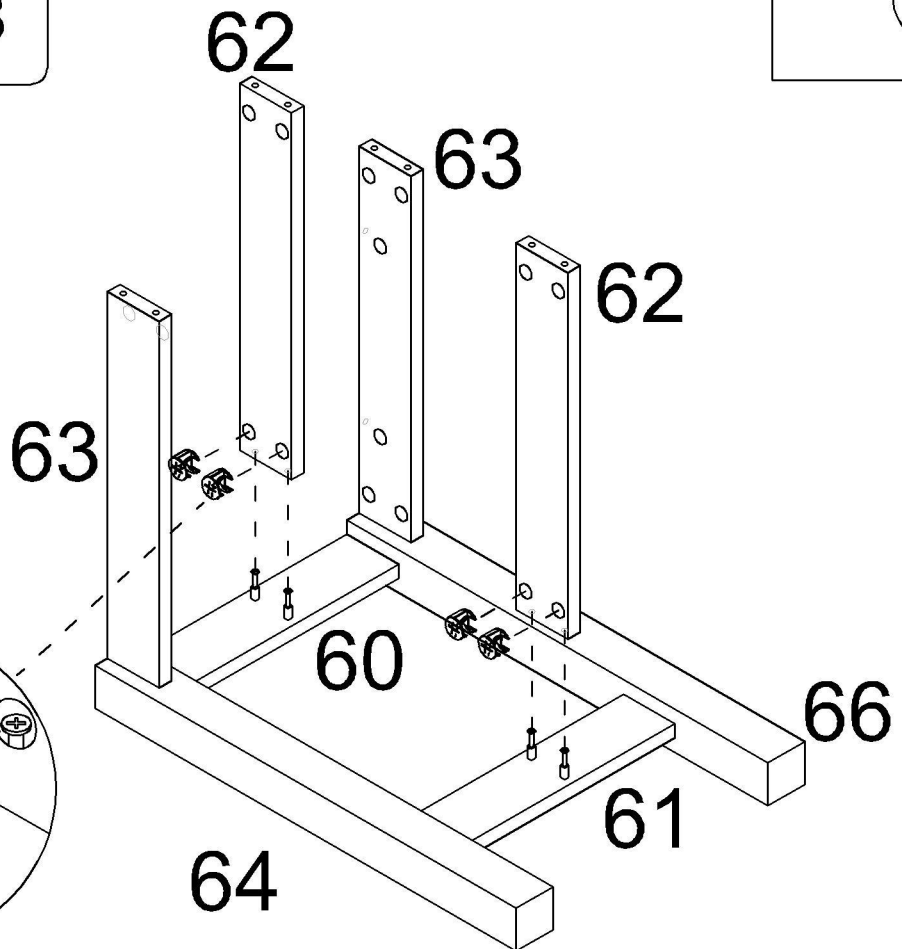
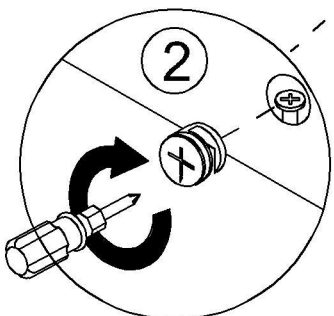
Step 87




- ②  x 4
- ①  x 4

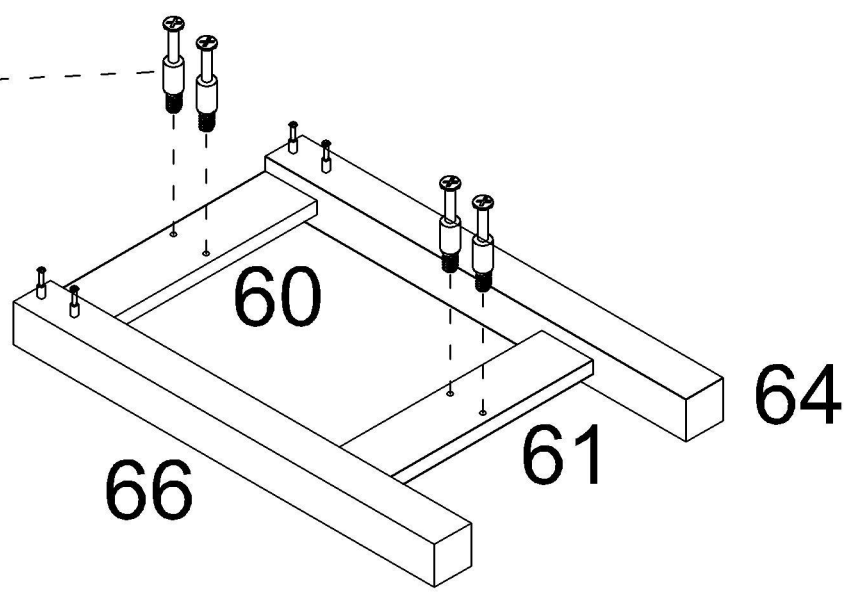
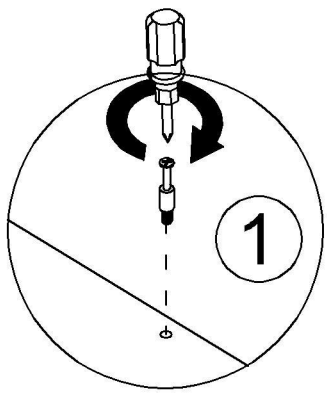
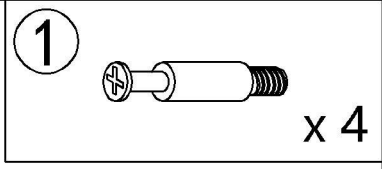


Step 88

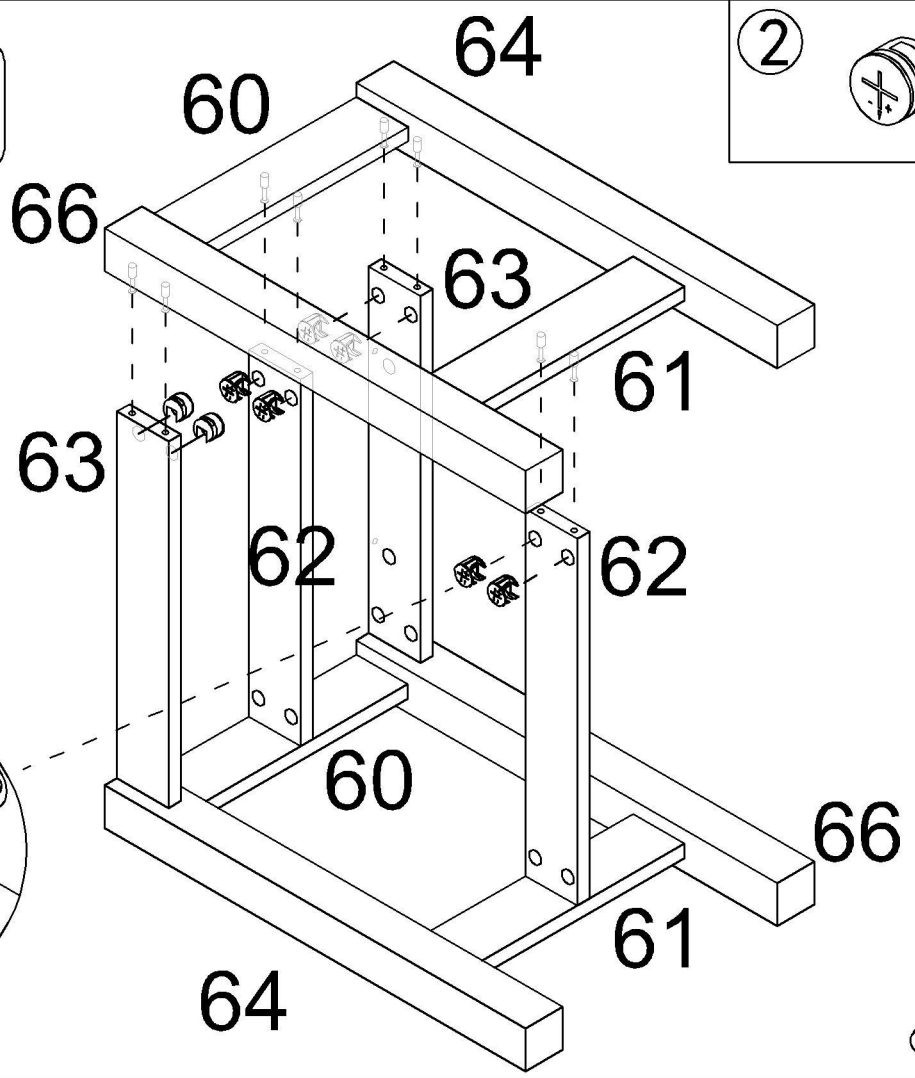
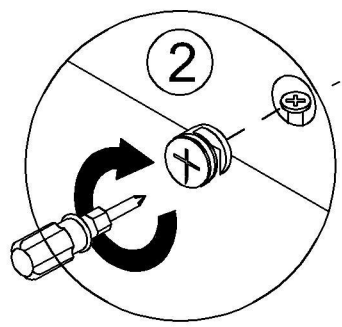
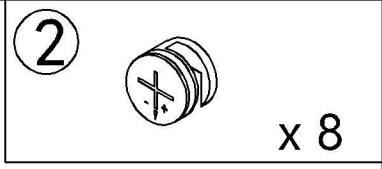


- ②  x 4

Step 89



Step 90

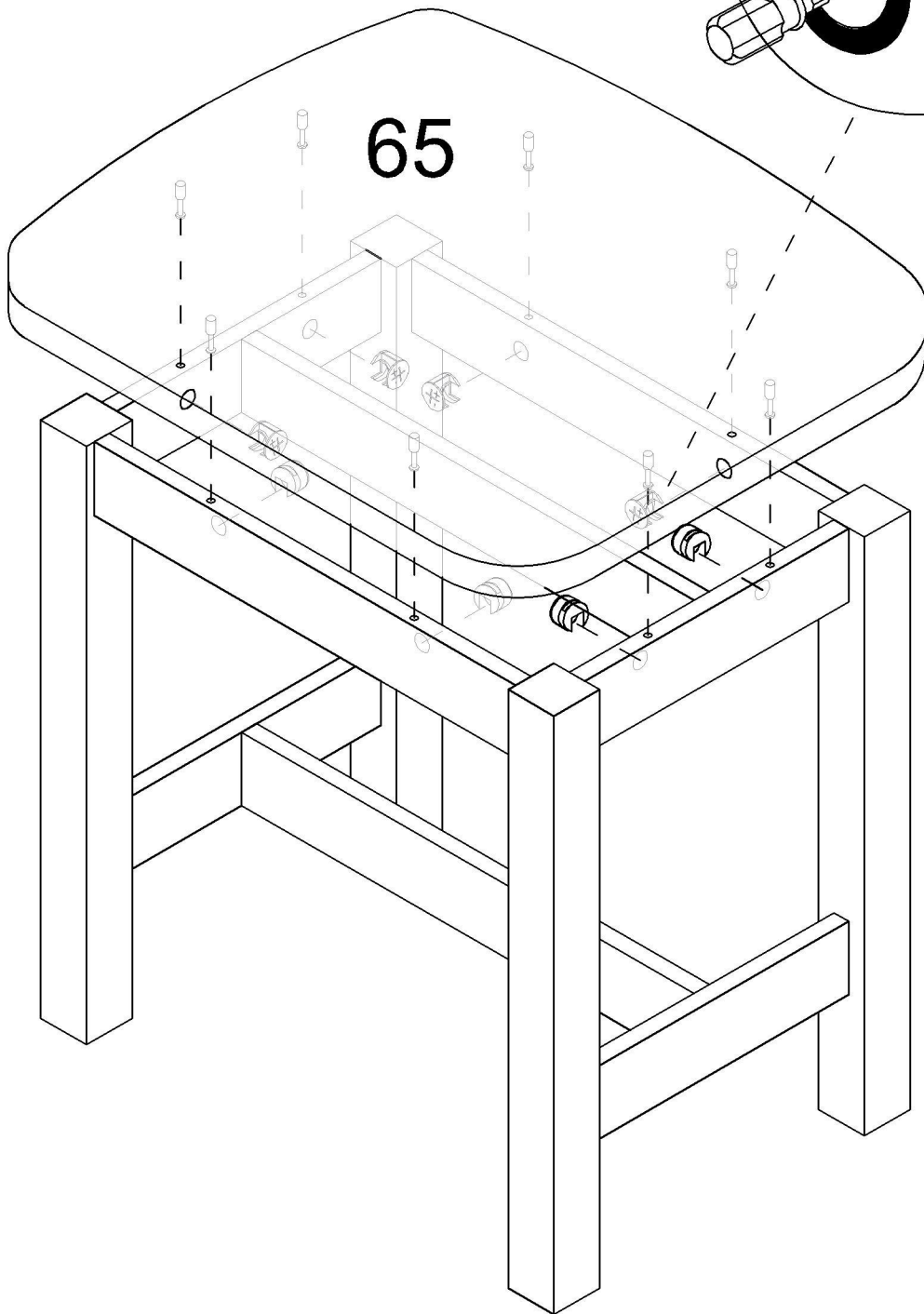
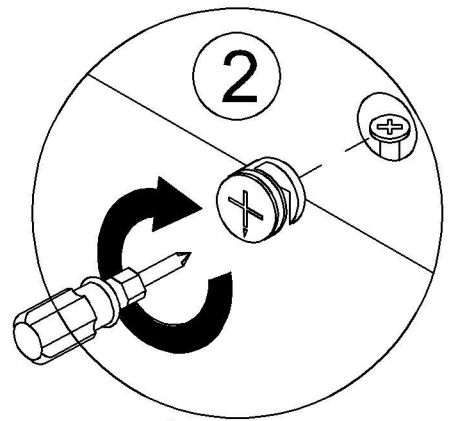


Step 91


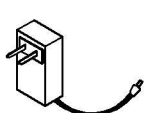
2

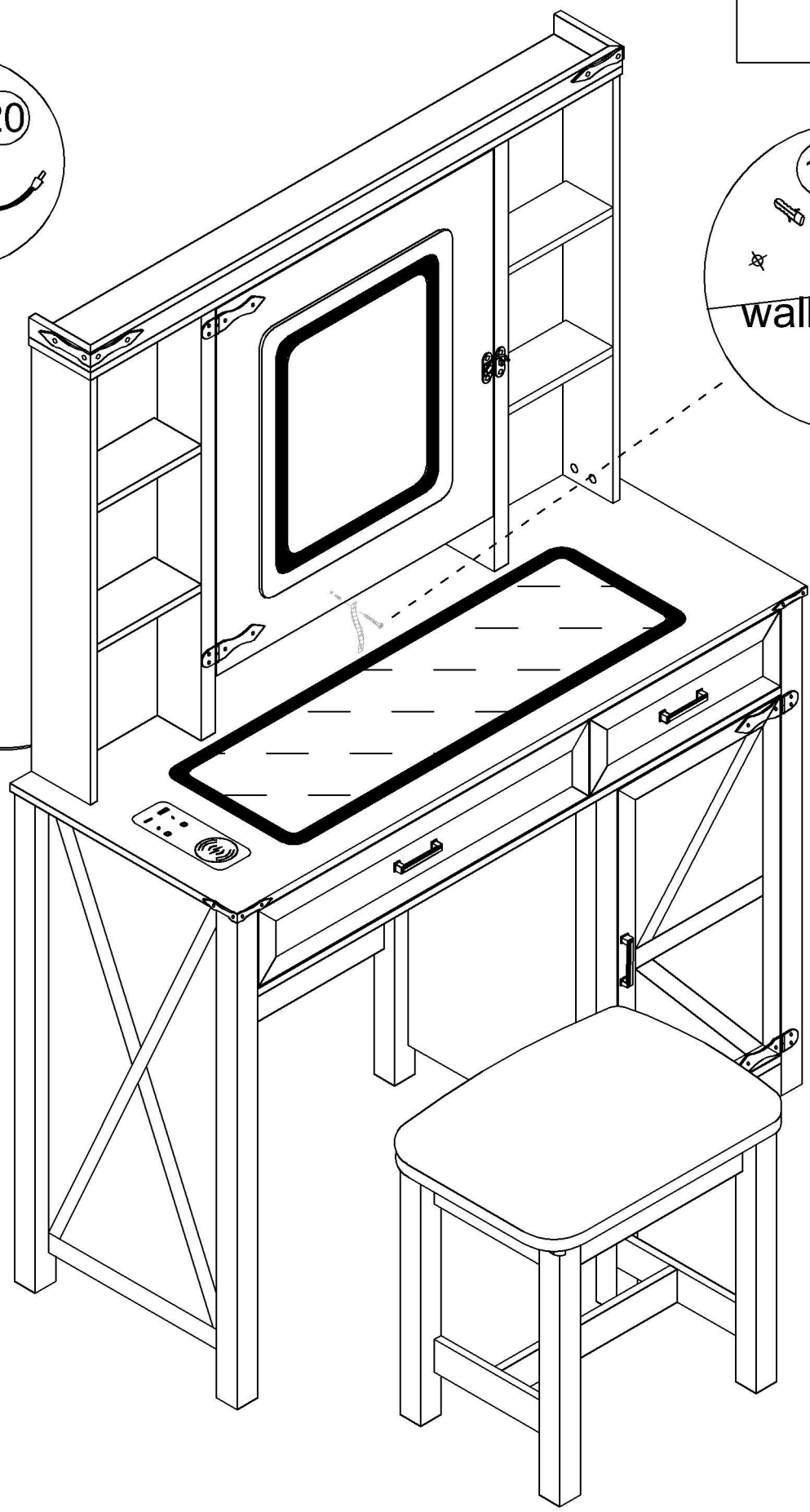
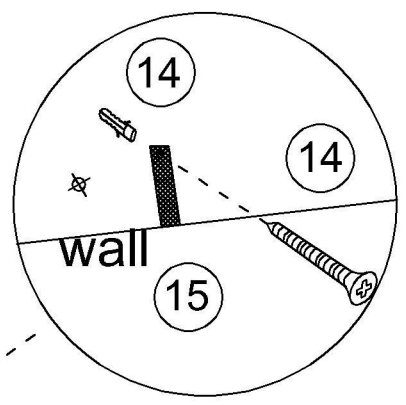
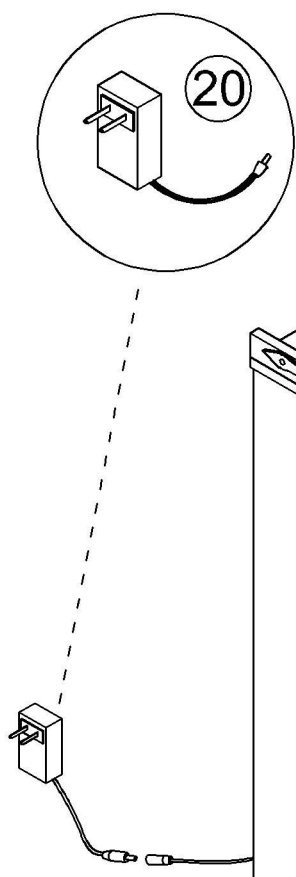


x 8



Step 92

- (14)  x 1
- (20)  x 1





User's Guide

Thank you for purchasing this product.

To use this product, please plug it into a 12V DC power supply.

Please use if the product works normally after connecting to power.

Introduction

The box is an intelligent controller. It has 1 USB port and 1 type-C port and can distribute the current output up to 5V DC-2A. With 2 touch buttons, it can turn ON/OFF the light, change light colors, and adjust the light luminance.

Operation



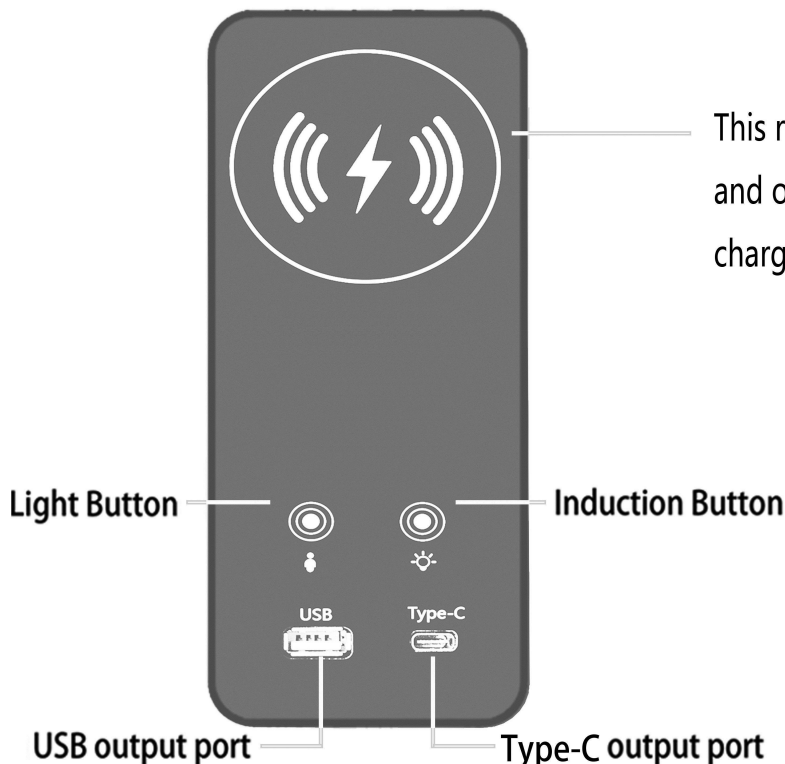
This touch button is used to turn on/off, change colors, and adjust brightness.

- A. Short touch -> lighting on -> short touch -> change light color -> short touch -> change light color -> short touch -> lighting off.
- B. Long touch -> adjust the luminance.



This touch button is used to turn on/off the induction function.

- A. Short touch to turn on the induction function. It can auto-turn on the light when people are close to the controller in 1 meters. It can auto power off the light when the body is far away from the controller after 30 seconds.
- B. Long touch to turn off the induction function.
- C. Note: When you touch the light button to change the light modes, the induction function will automatically turn off. It is best to turn on this function after selecting the light color and adjusting the brightness you want.



ATTENTION PLEASE

1. If there is no touch response suddenly, Re-plug the power to reset the touch static electricity.
2. If bubbles appear on the panel, remove the protective film.
3. If you have any questions when installing, please feel free to contact us. Thank you.