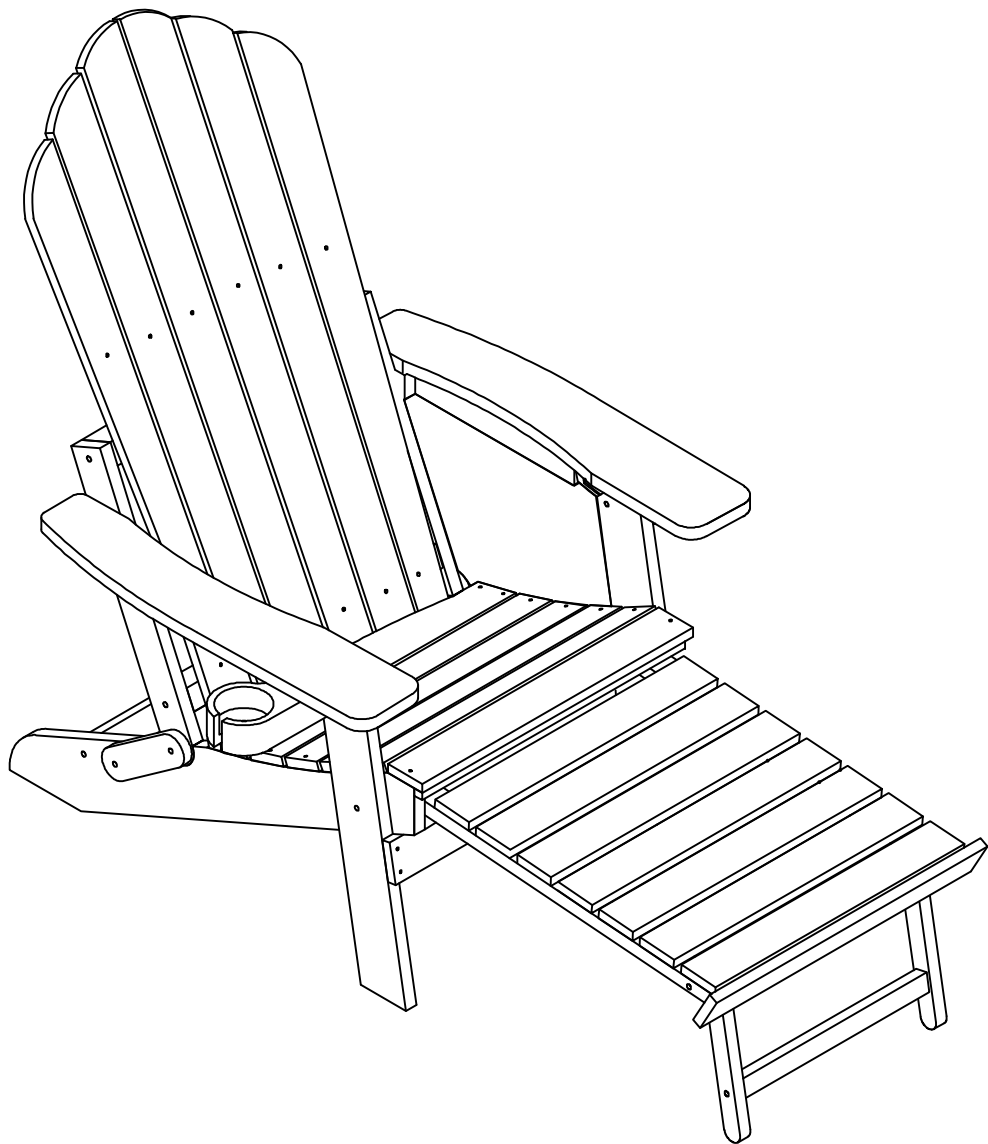
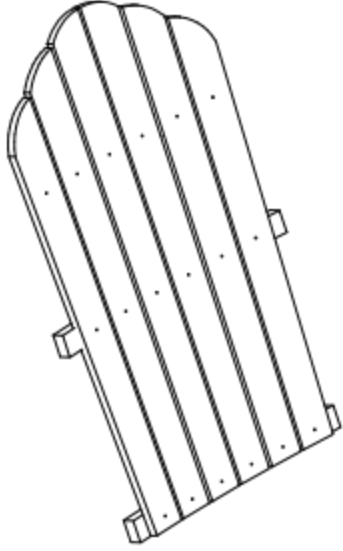

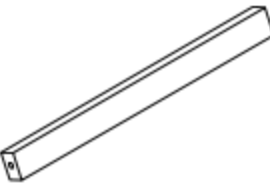

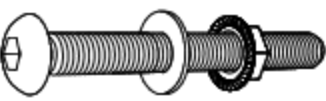
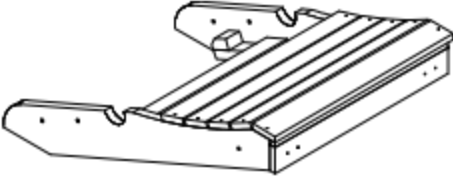

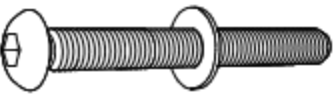
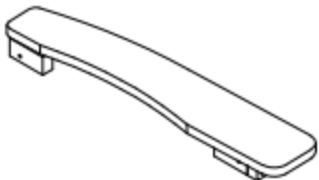
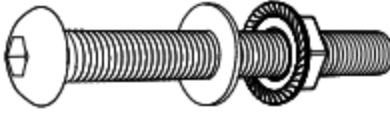
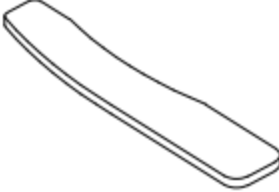





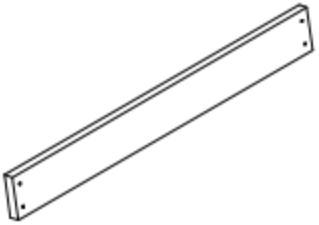

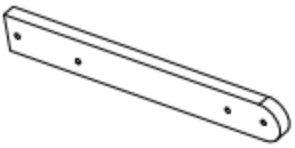



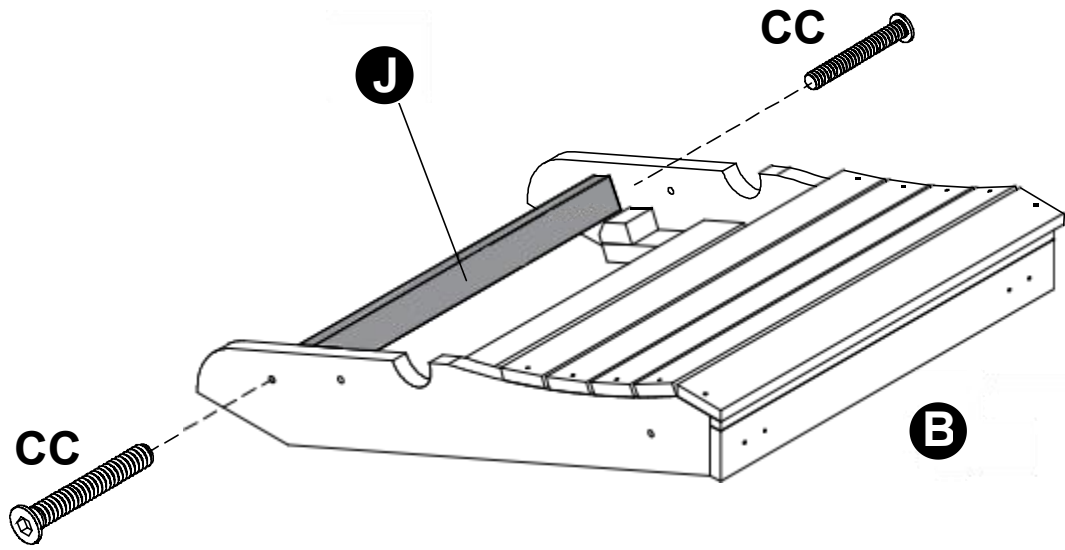
Assembly instructions

Foldable Adirondack chair

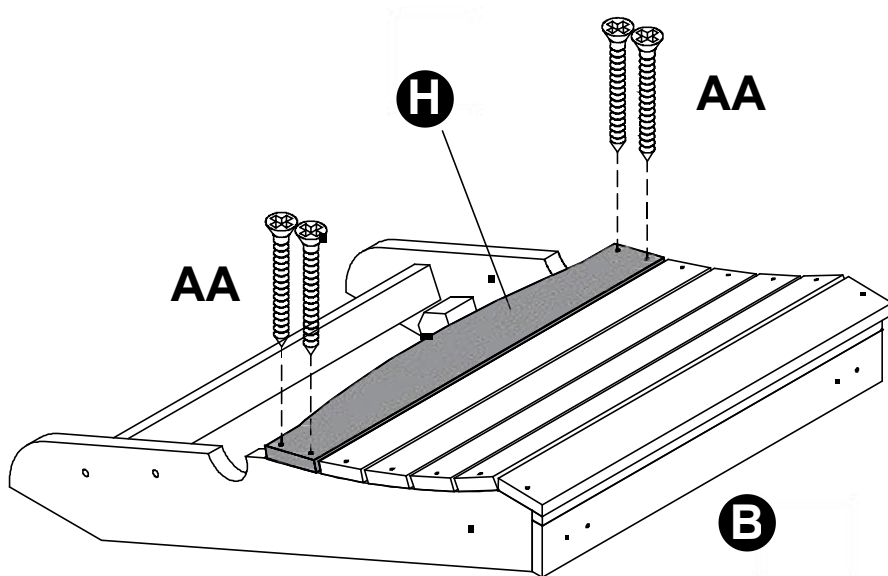


| | | | | | |
|---|---|------|----|--|------|
| A |  | 1PC | I1 |  | 1PC |
| | | | J |  | 1PC |
| | | | AA |  4*35 Screw | 8PCS |
| | | | BB |  M6*45 Bolt | 4PCS |
| B |  | 1PC | CC |  M6*45 Bolt | 6PCS |
| | | | DD |  M6*45 Bolt | 2PCS |
| C |  | 1PC | EE |  M6*80 Bolt | 2PCS |
| D |  | 1PC | FF |  M6*50 Bolt | 1PC |
| E |  | 2PCS | GG |  | 2PCS |
| F |  | 2PCS | |  | 1SET |
| G |  | 1PC | |  | 1SET |
| H |  | 1PC | |  | 1SET |

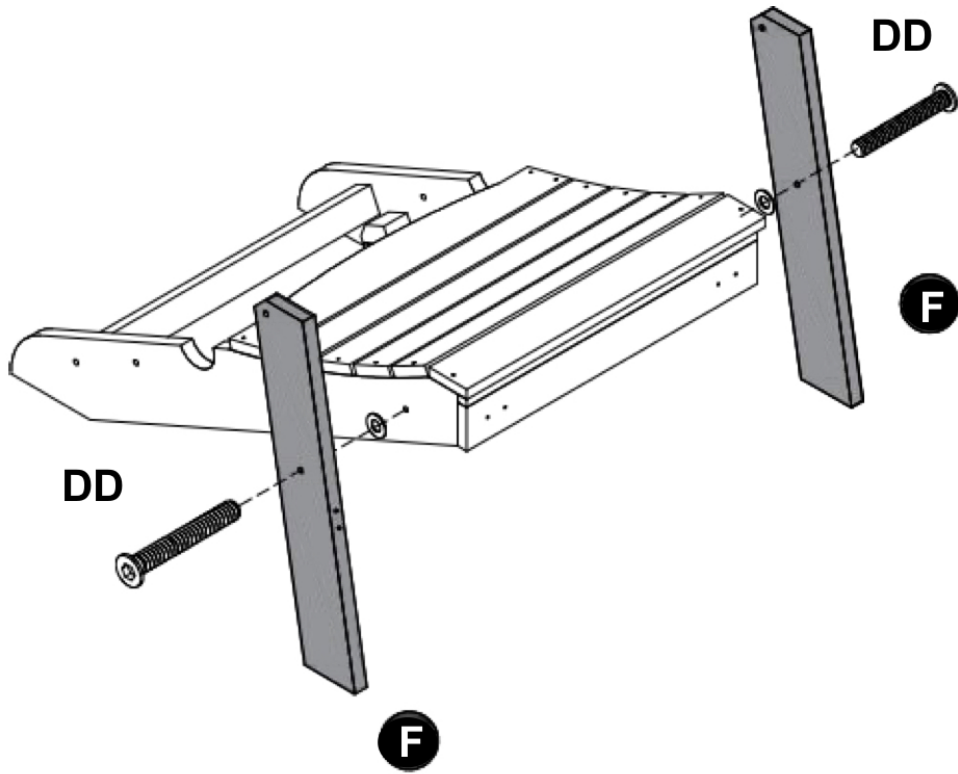
1



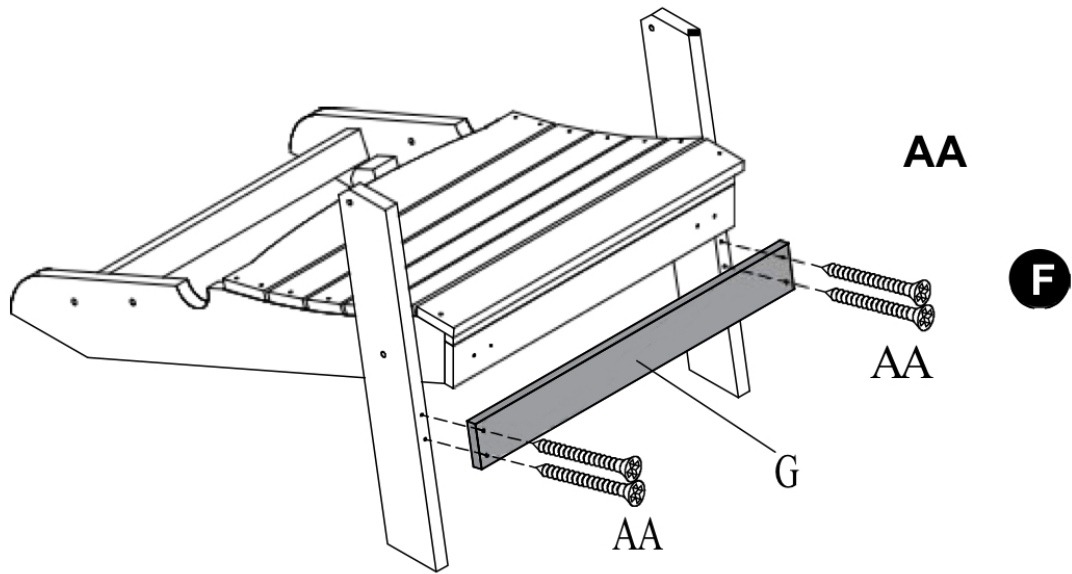
2



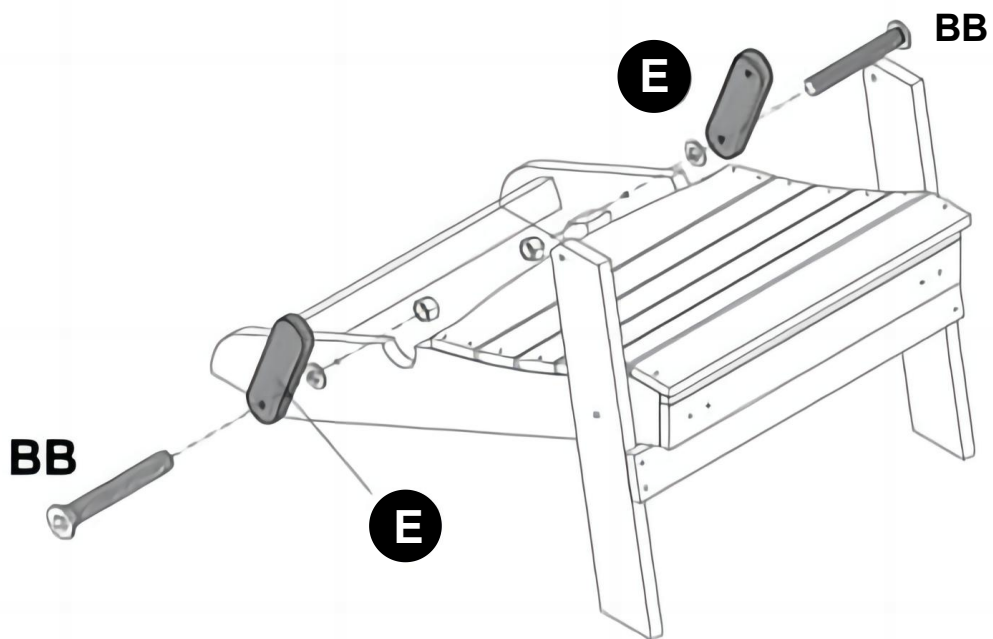
3



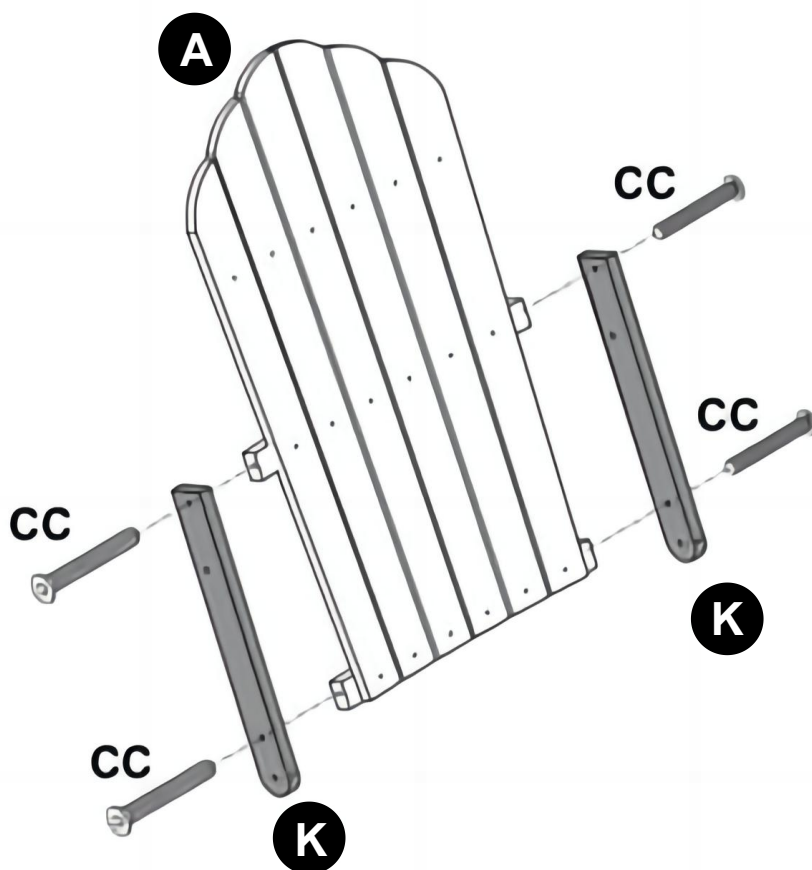
4



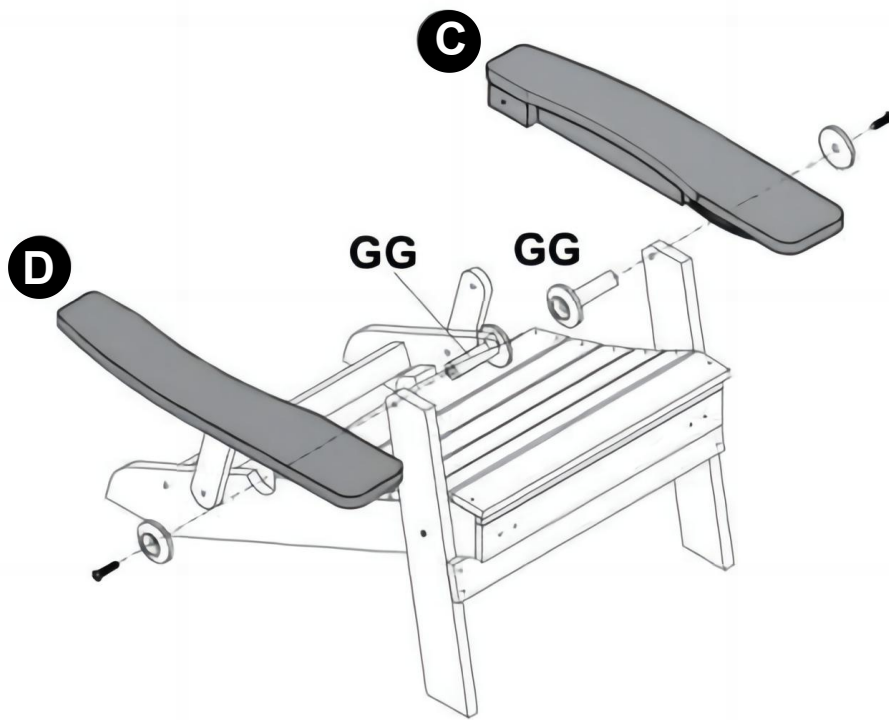
5



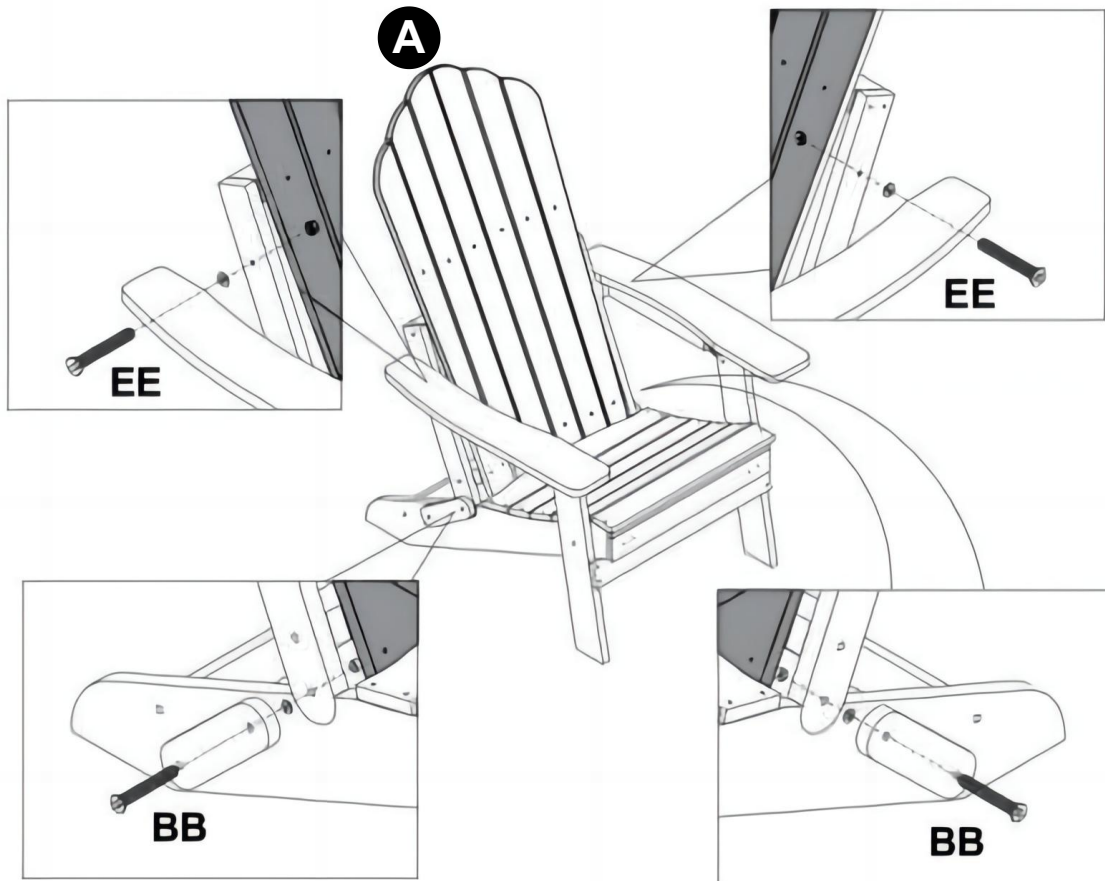
6



7



8



9



10

