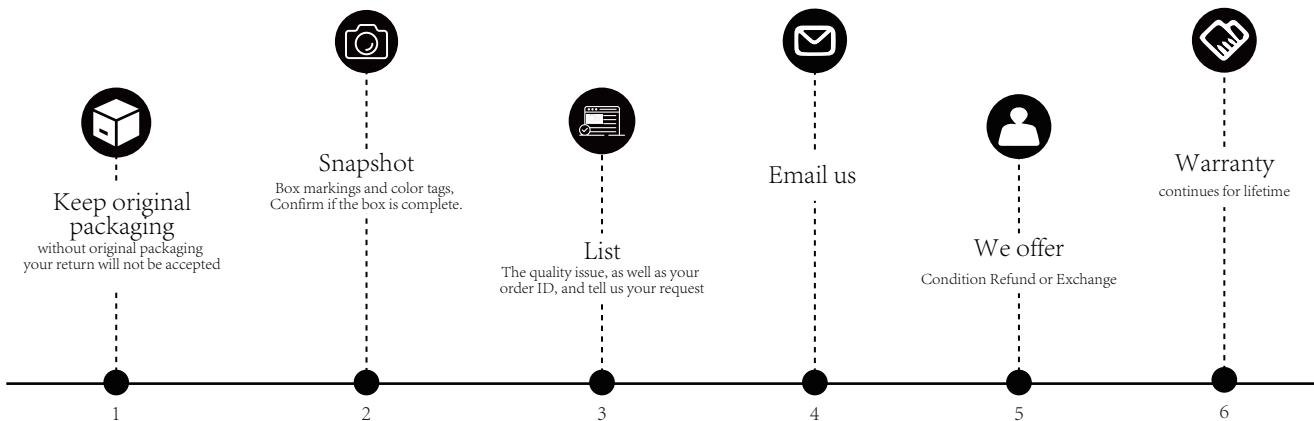
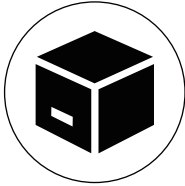


# The quickest Refund and Exchange Progress



# Return Policy

We maintain a 30-day return policy, allowing you to return any products purchased on this website within the time frame. Please contact us within 30 days after receiving the product(s), and ensure that the product(s) are returned to us without undue delays.

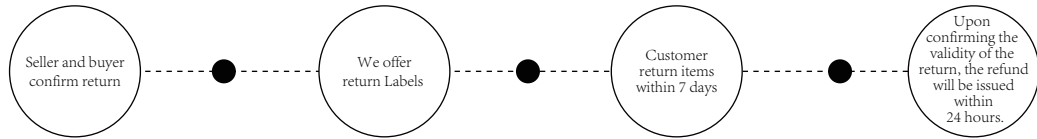


Kindly ensure that the returned products are in their original condition when sending them back to us to prevent any possibility of rejection by the warehouse.



When the product is not defective, and the reason for return is based on personal subjective factors such as a change of mind or a sudden dislike, the responsibility for the shipping cost will be borne by the customer.

# RETURN/DAMAGE CLAIM Progress



## Please attention

- 1) Avoid contact with hot objects, such as boiling water and electric irons, to prevent deformation and damage.
- 2) To avoid scratches, such as knives and scissors, prevent them from getting cut.
- 3) Avoid sun light Shining It directly so as to prevent cover layer from changing color and aging earlier.
- 4) If you accidentally spill coffee on the sofa, Please do not bleach, wiping the surface of the artificial leather fabric sofa with the mixture of white vinegar and baking soda are recommend , using a dry cloth to wipe off the moisture on the surface .
- 5) Please note that the artificial leather sofa is not machine washable, as is a kind of nano sealing glue technology.
- 6) If the sofa is smelling,please try to air it 24-48 hours and the smell will give away.
- 7) To avoid pilling or deformation of the fabric,do not use violent scrubbing or brushes.
- 8) Please use the specified detergent to wipe and avoid using bleach or bleach containing chlorine prevent fading and aging of the fabric◦

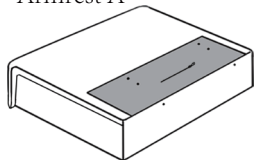
Warm tips : Material certified according to OEKO-TEX<sup>®</sup>STANDARD 100 and ECO PASSPORT. Every Parts of the Fabrics has been tested for harmless for health.

# ASSEMBLY INSTRUCTION

Please check the lists before installation

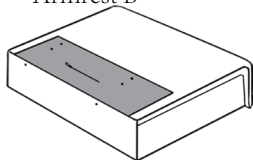
## A MODULE COMPONENTS

Armrest A



X1

Armrest B



X1

① Armrest / Backrest connector



X4

② Connecting Hardware



X2

③ Screw



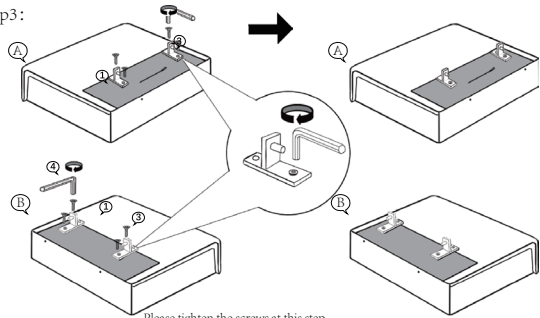
X12

④ Hexagon wrench



X1

Step3:



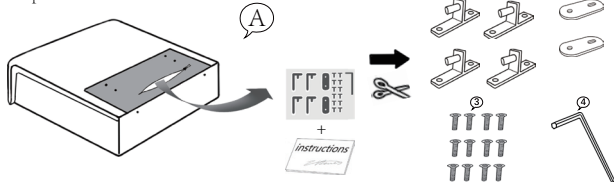
Please tighten the screws at this step

## ASSEMBLY OF MODULE A

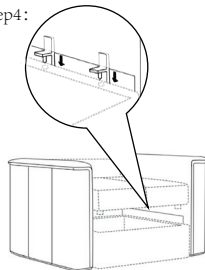
Step1:

Take out the armrest module from carton A, Open the zipper and take out the accessories.

Step2:

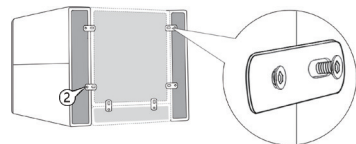


Step4:



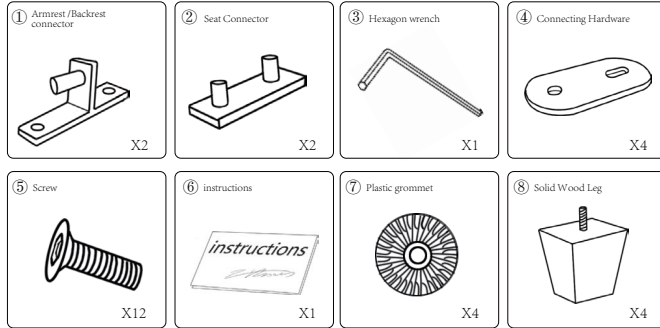
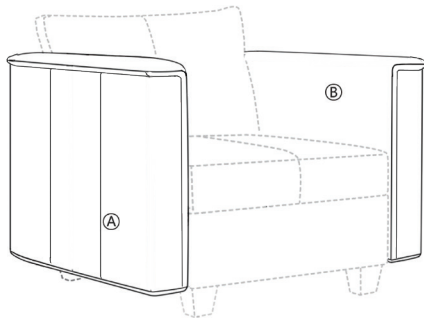
Insert the armrest into the sofa frame (storage compartment)

Step5:



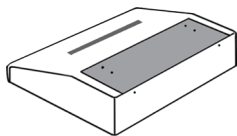
When fastening connector at the bottom, start by fastening the round hole, then fastening the oval hole of the connector. It make installation more convenient by this step.

Step6:

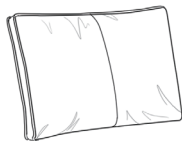


## B MODULE COMPONENTS

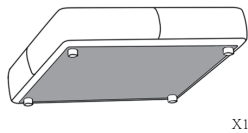
Backrest-A



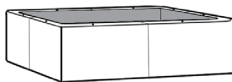
Back cushion-B



Seat cushion-C



Storage compartment-D

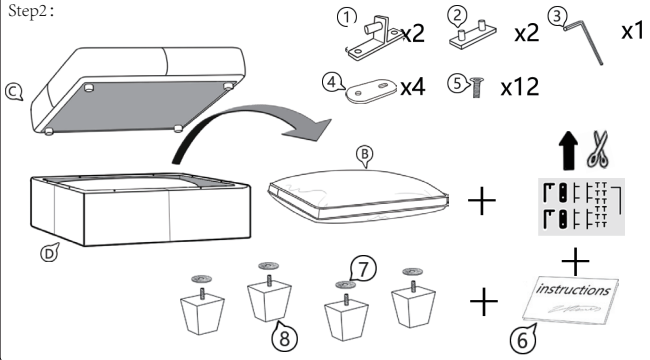


## CARTON B ASSEMBLY

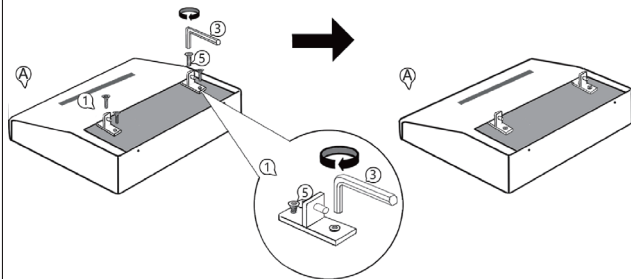
Step1:

Seat frame and backrest are in carton B. Remove all parts from the carton B. Place them on protected surface or carpet.

Step2:

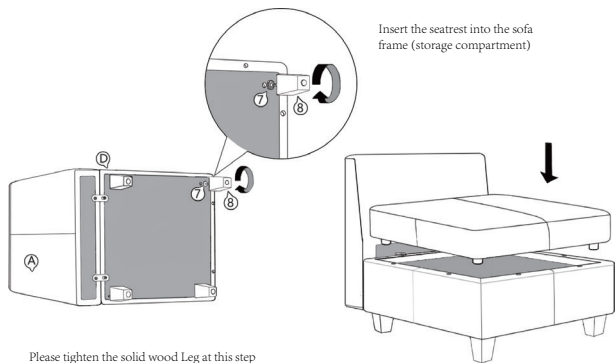


Step3:



Please tighten the screws at this step

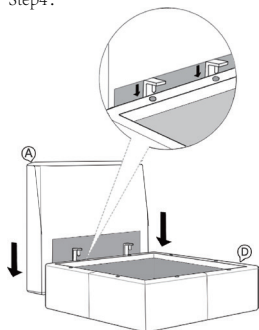
Step6:



Step7:

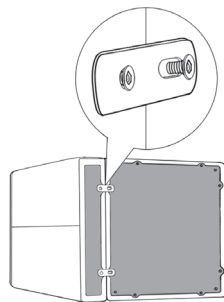
Insert the seatrest into the sofa frame (storage compartment)

Step4:



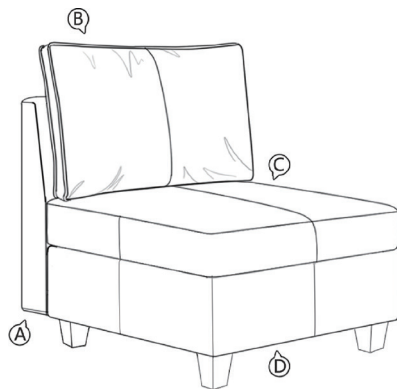
Insert the backrest into the sofa frame (storage compartment)

Step5:



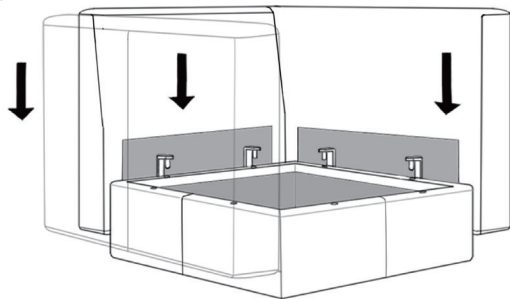
When fastening connector at the bottom, start by fastening the round hole, then fastening the oval hole of the connector. It make installation more convenient by this step.

Step8:



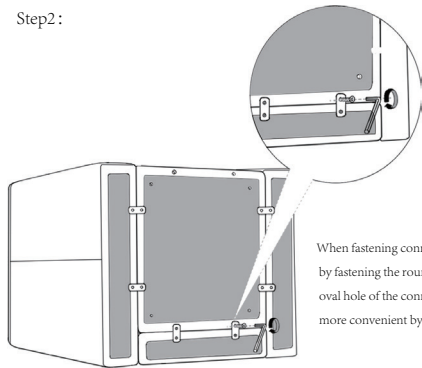
# MODULE—A+B

Step1:



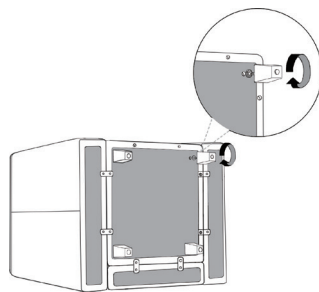
Insert the armrest and backrest into the sofa frame (storage compartment)

Step2:



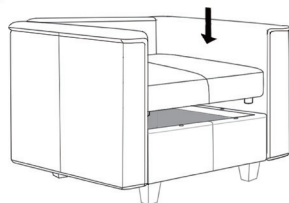
When fastening connector at the bottom, start by fastening the round hole, then fastening the oval hole of the connector. It make installation more convenient by this step.

Step3:

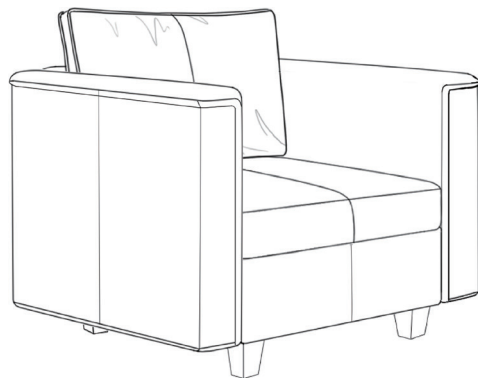


Please tighten the screws at this step

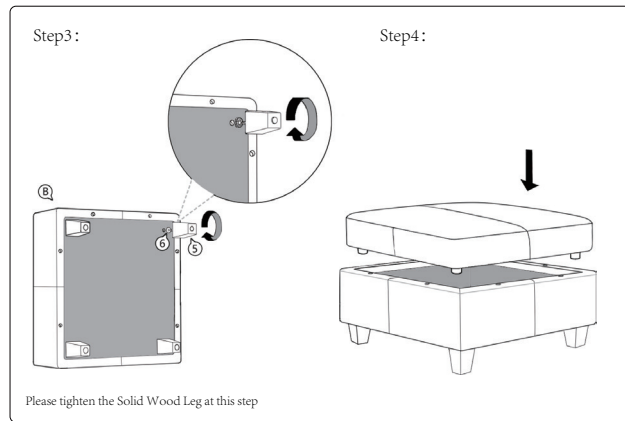
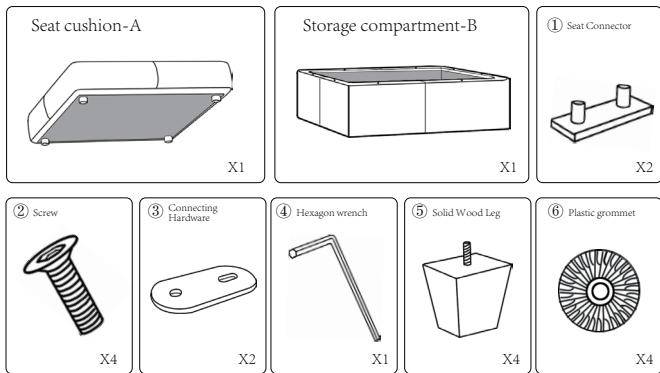
Step4:



Step5:



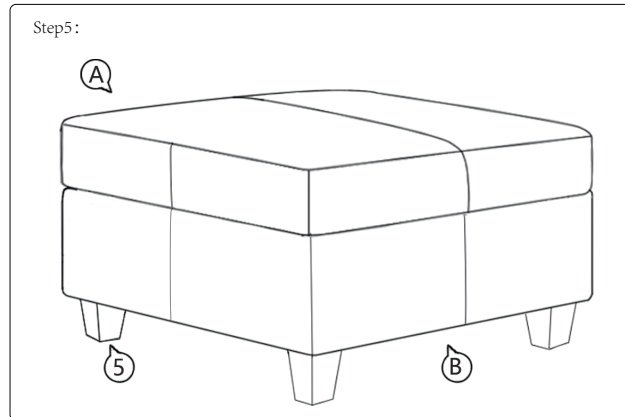
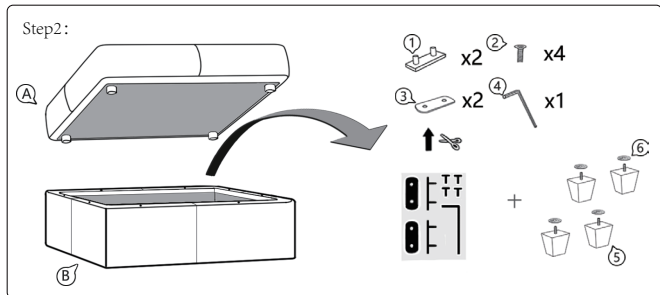
# C MODULE COMPONENTS



# C MODULE COMPONENTS

Step1:

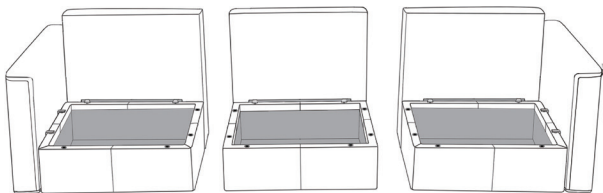
Seat frame are in carton C. Remove all parts from the carton C. Place them on protected surface or carpet.



# MULTI MODULE COMBINATION

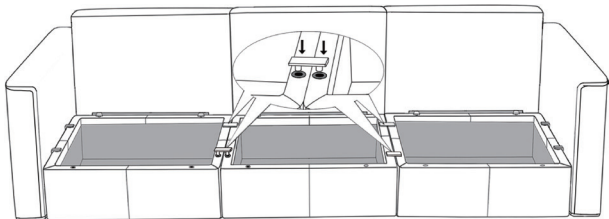
## Step1 :

Place the assembled individual modules on a protected surface or carpet.

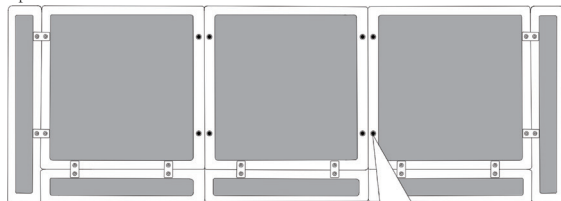


## Step2 :

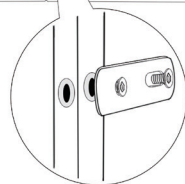
Connect individual modules with seat connector.



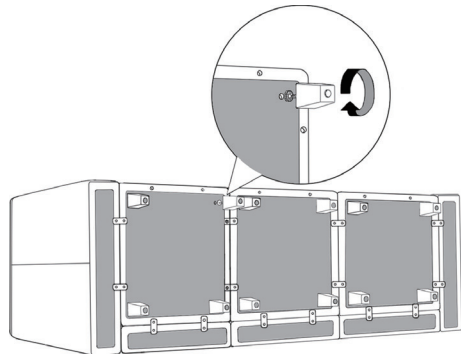
## Step3:



When fastening connector at the bottom, start by fastening the round hole, then fastening on the oval hole of the connector. It make installation more convenient by this step.

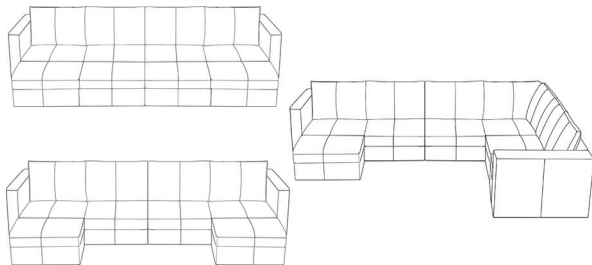
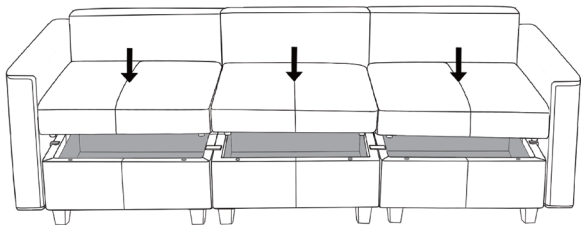


## Step4:



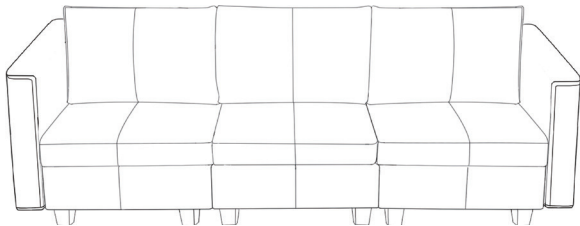
### Step5:

Place the seat cushion pack on the sofa frame (storage compartment)



More combinations are waiting for you to discover

### Step6:



(A+3B as an example)

## PROMPT

During the installation process, you may notice that there are redundant accessories. It's the spare parts in case of any unforeseen reduction or damage. If you encounter any issues during the installation, please feel free to contact us via email. We are delighted to know that you have successfully assembled your sofa.

We also invite you to share your assembly experience online and spread your joy.