

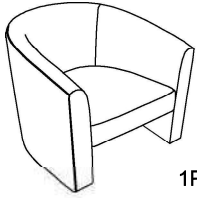
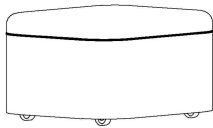
# ASSEMBLY INSTRUCTIONS

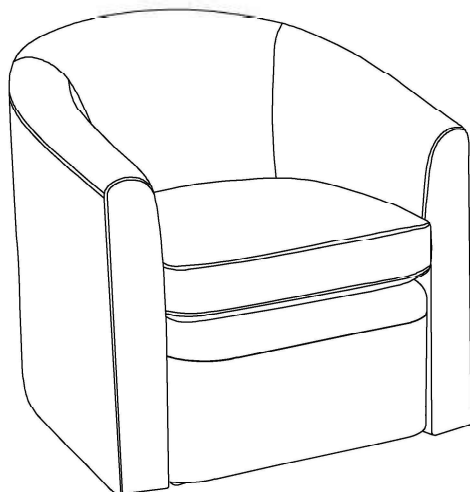
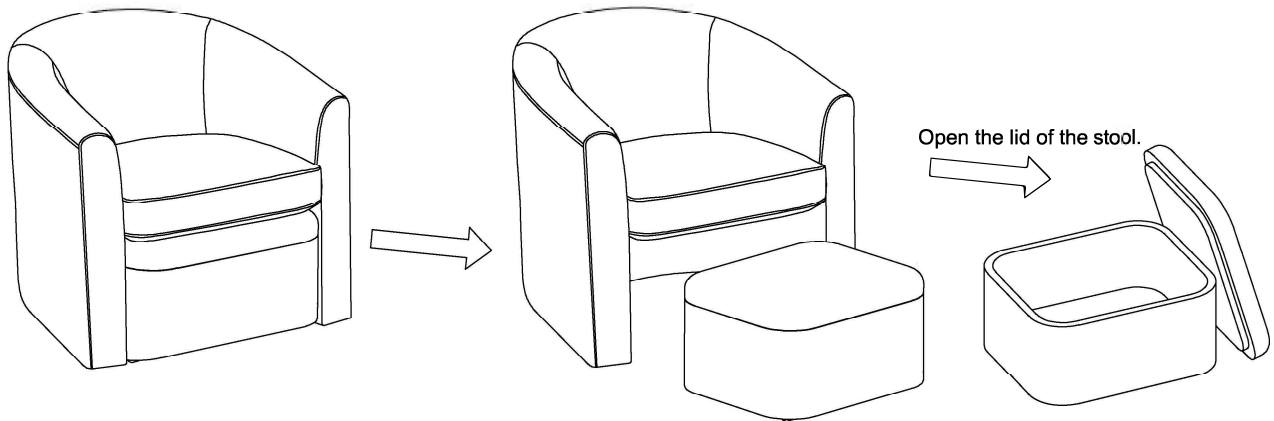
## Accent Chair and Storage Ottoman

Your recliner comes packaged in one box.  
Carefully remove all of components from the  
packaging and set aside for assembly

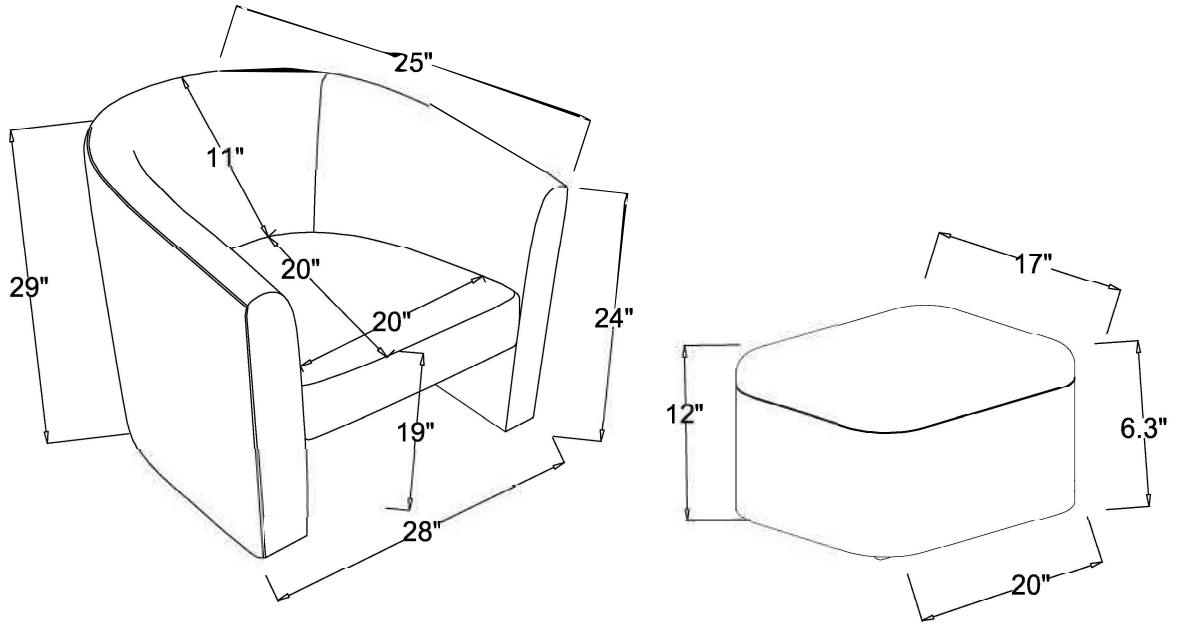
**CAUTION:**  
**DO NOT:** use any sharp objects  
to open plastic wrapped  
components as damage to  
product or components may  
result

### Package Contents

PART LIST	
<b>A</b>  1PC	<b>B</b>  1PC

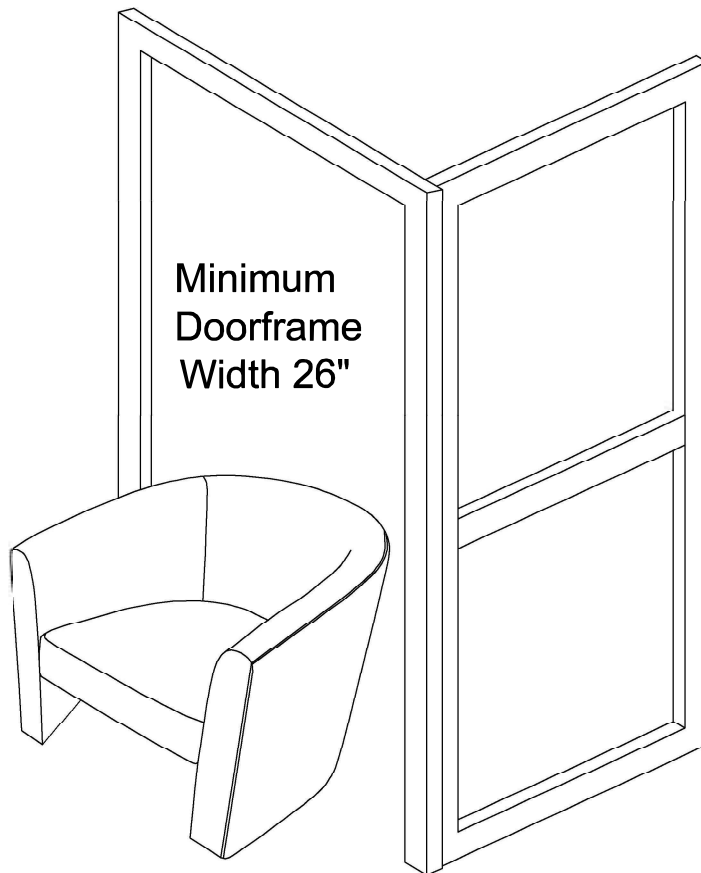


# Accent Chair and Storage Ottoman



Please not sit on the armrests for the user's safety.

Seat cushion weight capacity: 130kg



Rotate sofa 90 to fit through the door before attach back cushion and pillow



# Warnings

1. Please check if the components of the chair are all included and can be used normally.
2. Assemble all components according to the instruction correctly before you connect the chair to the power.
3. Please DO NOT sit on the armrests or footrest to eliminate the risk of tipping over.
4. If the chair is damaged or doesn't match the website description, please send clear pictures of the product and label of the carton to our service team for further help.
5. If the recliner doesn't work, you may try the following measures for self-checking firstly:
  - a) Check if all the cables are connected;
  - b) Check if the light of transformer is on.

If the chair still doesn't work, please feed the information back to our customer service in time and we'll help you solve the matter as soon as possible.

