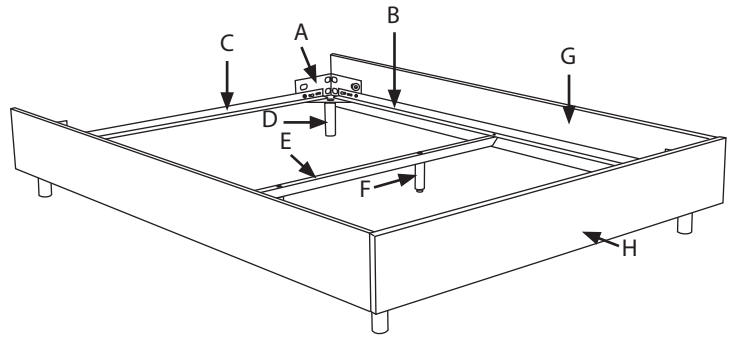


FULL BED FRAME ASSEMBLY














Components

ITEM	DESCRIPTION	QTY
A	Metal Corners	4
B	Metal Side Rail	2
C	Metal End Rail	2
D	Corner Leg	4
E	Center Support Rail	1
F	Center Support Leg	2
G	Upholstered Side Rail	2
H	Upholstered Foot Rail	1



Please note: actual product may look different than illustration.

HARDWARE

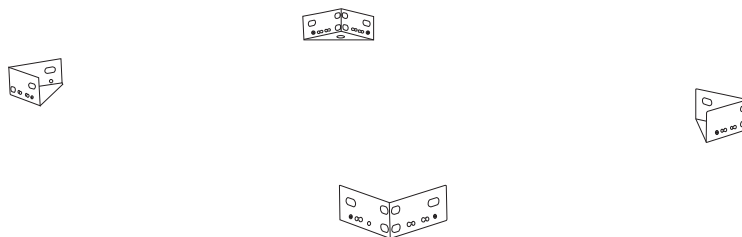
(H1) x 10	— 1/4" bolt		(H10) x 1	— larger L wrench	
(H2) x 10	— 1/4" nut		(H11) x 1	— wrench	
(H3) x 4	— 3/4" x 5/16" bolt		(H12) x 8	— 3/4" screw optional	
(H4) x 4	— 3/4" washer larger hole		(H13) x 2	— L bracket optional	
(H5) x 2	— 1" x 1/4" bolt				
(H6) x 2	— 3/4" washer smaller hole				
(H7) x 6	— 1" x 5/16" bolt				
(H8) x 6	— 1 1/4" washer				
(H9) x 1	— smaller L wrench				

Please note: assembly is recommended with two people. You will need a flat head and phillips head screwdriver to assemble your bed frame.

Step 1

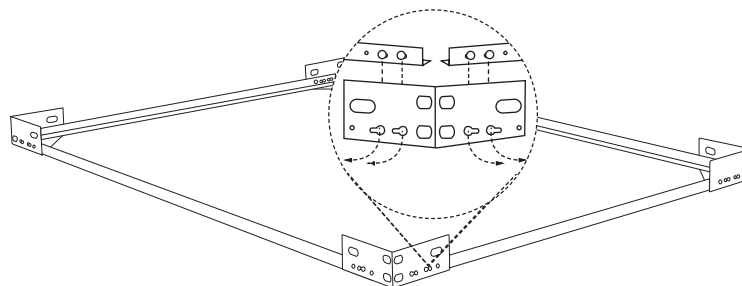
1.1

Place (A) metal corners in a rectangular shape roughly the size of your mattress.



1.2

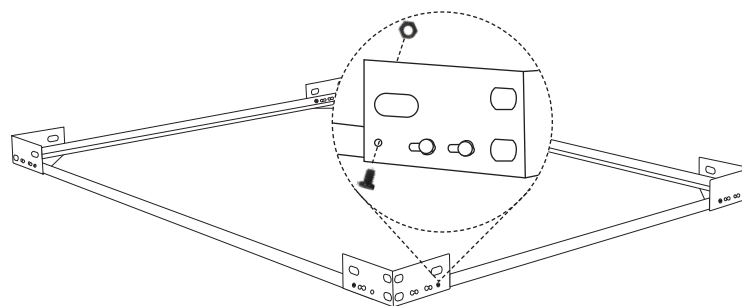
Lay (B) and (C) metal rails into (A) metal corners to create the shape of your bed frame. Snap into place.



1.3

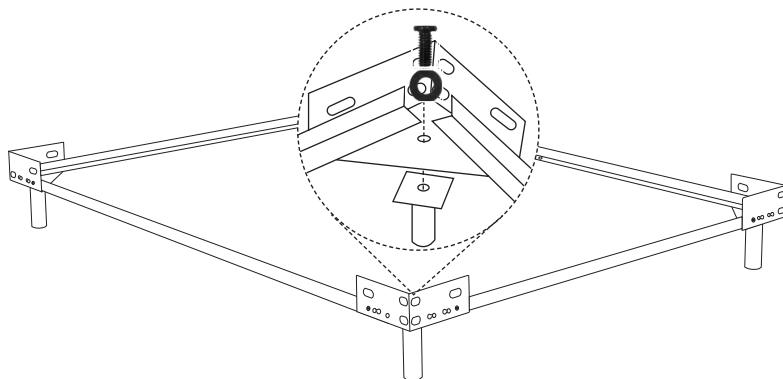
Secure (B, C) metal rails to (A) metal corners using (H1) bolts and (H2) nuts. Tighten using (H9) L wrench and (H11) wrench.

Please note: (H2) nuts should be on the inside of the frame.



1.4

Carefully attach (D) corner legs underneath (A) metal corners using (H3) bolts and (H4) washers. Tighten using (H10) L wrench.

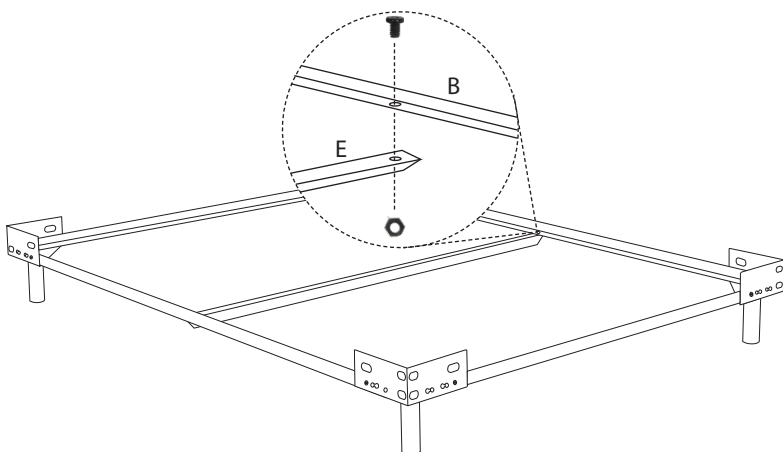


Step 2

2.1

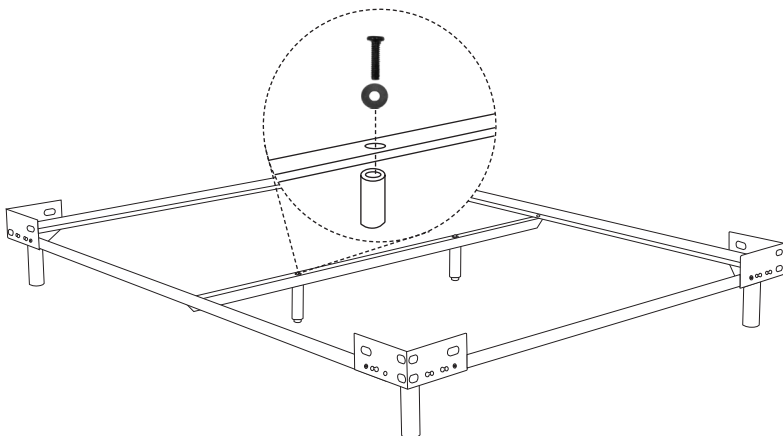
Align holes of (E) center support rail with holes on (B) metal side rails. Attach using (H1) bolts and (H2) nut. Tighten using (H9, H11) wrenches.

Please note: (E) center support rail attaches underneath (B) metal side rails.



2.2

Attach (F) center support legs to (E) center support rail using (H5) bolts and (H6) washer. Tighten using (H9) L wrench.

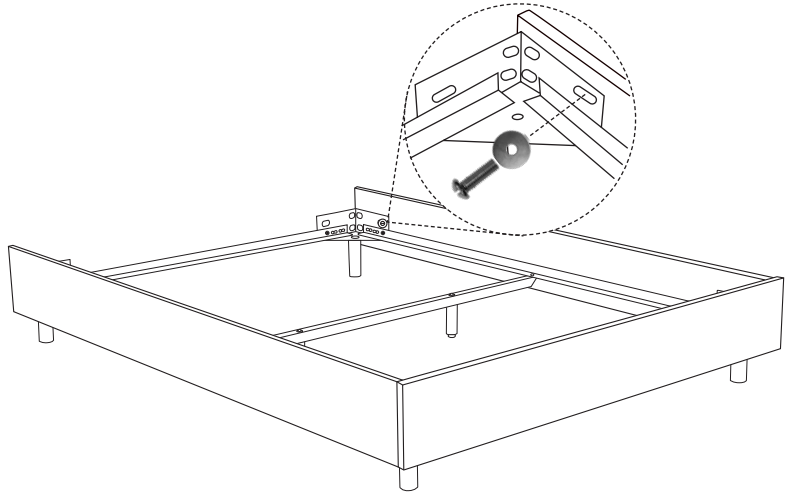


Step 3

3.1

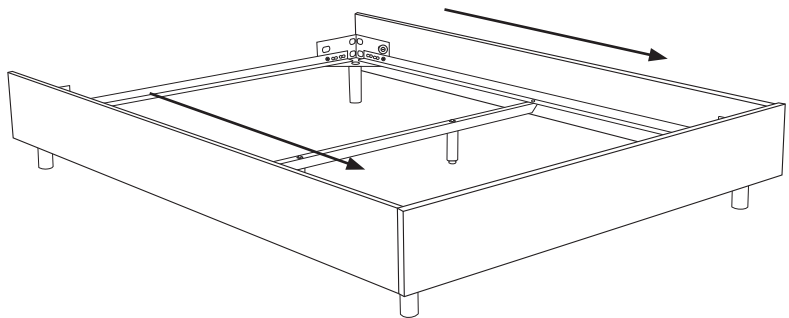
Loosely attach (G, H) upholstered rails to bed frame using (H7) bolts and (H8) washers.

Please note: if (G) upholstered side rails have an additional hole, make sure the hole faces upwards and away from the (H) upholstered foot rail.



3.2

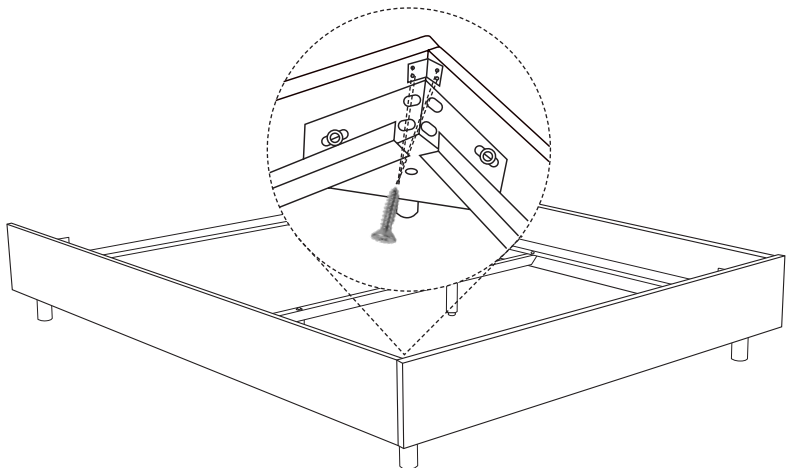
Push (G) upholstered side rails toward (H) upholstered foot rail to eliminate any gaps. Tighten (G) upholstered side rails first, then (H) upholstered foot rail using flat head screwdriver.



3.3 (OPTIONAL)

To reinforce stability of (G, H) upholstered rails, use a phillips screwdriver to attach (H13) L brackets using (H12) screws.

Please note: this requires screwing (H12) directly into the upholstered side rail.



ATTACHING YOUR HEADBOARD

For instructions on how to attach your headboard to your bed frame, please consult the assembly instructions found in the box your headboard was shipped in.

Warranty

LIMITED WARRANTY

We guarantee its upholstered furniture against defects in construction for a period of one (1) year. When a structural defect is brought to our attention, we will repair or replace it at our option at no charge to the customer (includes parts and labor, not transportation costs). Fabric wearability for upholstered furniture is not covered by the warranty. Vacuum for regular cleaning.

Please dispose of plastic bag(s) and carton(s) responsibly.

LIMITE DE GARANTIA

garantiza sus muebles tapizados contra defectos en construcción por un periodo de un (1) año. Cuando un problema de estructura es traído a nuestra atención, nosotros repararemos o reemplazaremos sin ningún cargo a nuestro cliente (incluye partes y trabajo, no costo en transportación). Descoloramiento del material de muebles tapizados no es cubierto por la garantía. Regularmente puede aspirar.

Por favor tirar bolsa(s) y caja(s) responsablemente.

GARANTIE LIMITÉE

garantiza sus muebles tapizados contra defectos en construcción por un periodo de un (1) año. Cuando un problema de estructura es traído a nuestra atención, nosotros repararemos o reemplazaremos sin ningún cargo a nuestro cliente (incluye partes y trabajo, no costo en transportación). Descoloramiento del material de muebles tapizados no es cubierto por la garantía. Regularmente puede aspirar.

Por favor tirar bolsa(s) y caja(s) responsablemente.