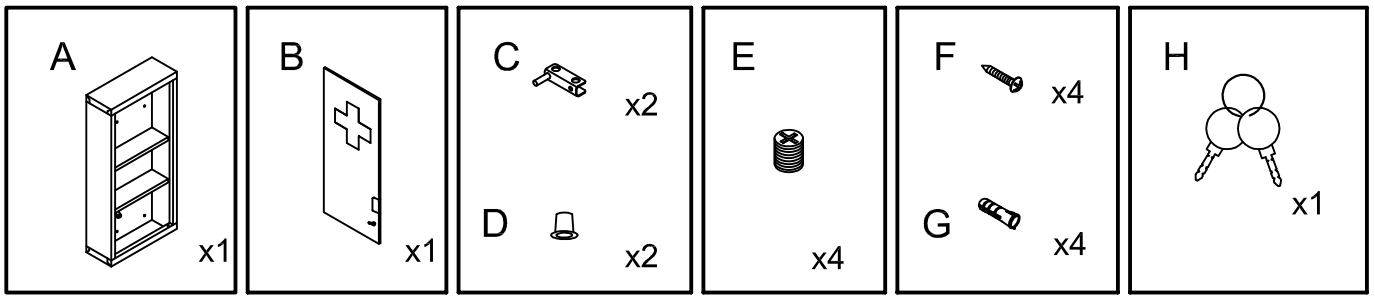
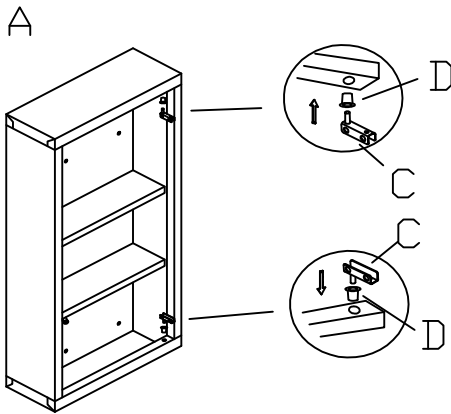


# Assembly Instructions

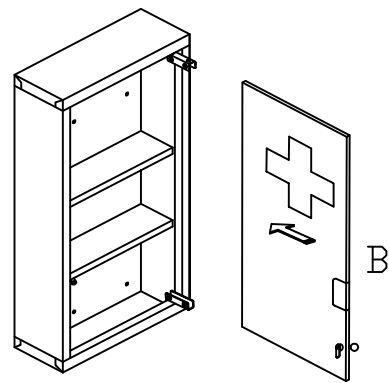
## Stainless Steel Medicine Cabinet



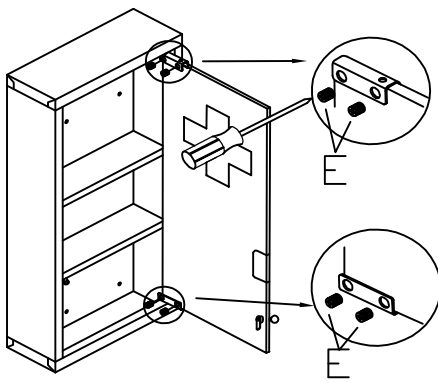
1



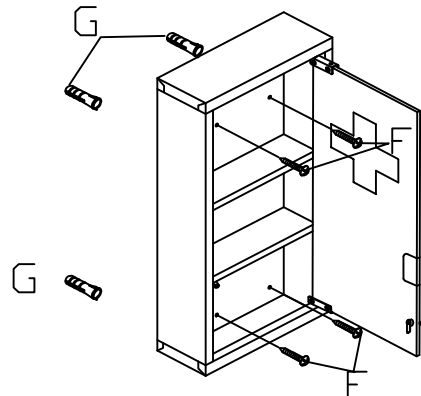
2



3



4



5

