

ASSEMBLING & INSTALLATION INSTRUCTIONS

The drawing shown may not exactly match the product enclosed.
However, the installation instructions do apply to this product.

- ◆ **WARNING! SHUT POWER OFF AT FUSE OR CIRCUIT BREAKER.**
- ◆ **ATTENTION! COUPER LE COURANT AU FUSIBLE OU UN DISJONCTEUR.**

ASSEMBLING THE FIXTURE (Fig.1)

1. Shut off the power at the circuit breaker box. Remove old fixture and all hardware from Outlet Box. Carefully unpack your new fixture and lay out all the parts on a clear area. Take care not to lose any small parts necessary for installation.
2. Thread the two mounting screws about 1/4" into the pre-drilled holes in the mounting plate, spaced about the same distance apart as the holes in the fixture back plate. Attach the mounting plate to the outlet box using two outlet box screws as shown. The side of the mounting plate marked "GND" must face out. **The outlet box is not included.**
3. Guide fixture wires through hole in center of mounting plate.
4. Follow wiring instructions carefully .(see fig.2)
5. Using the end of cluster crystals(E) hang to the small hole of the lamp body's frame. Attach the candle sleeve(A)/crystal plate(B) onto the lamp holder.
6. Attach the lamp body(C) onto the outlet box, aligning the holes with mounting screws, then tighten it with the ball nuts(D).
7. Install the light bulbs (not included) in accordance with the fixture's Specifications. **NOTE:DO NOT EXCEED THE MAXIMUM WATTAGE RATING!**

CONNECTING THE WIRES (Fig.2)

1. Connect the electrical wires as follows. Connect the Black wire from the fixture to the black house (hot) Wire. Connect the white wire from the fixture to the white (neutral) house wire. Make sure all wire nuts are secured. You may wrap the connections with electrical tape. If your outlet box has a ground wires (green or bare copper) connect fixture's ground wire to it. Otherwise attach the bare copper fixture wire to the green ground screw on the mounting plate.
2. Tuck the wire connections neatly into the wall outlet box.

Your installation is now complete. Return power to the outlet box and test the fixture.

FIG.1

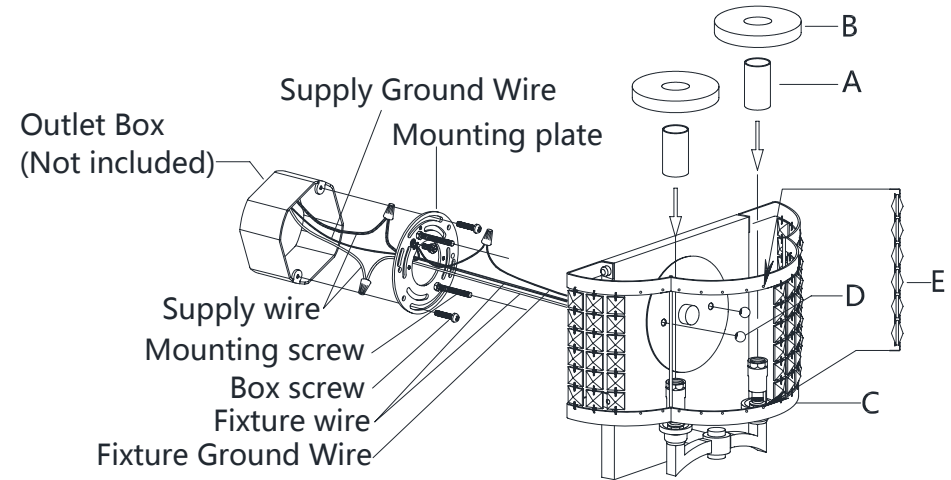
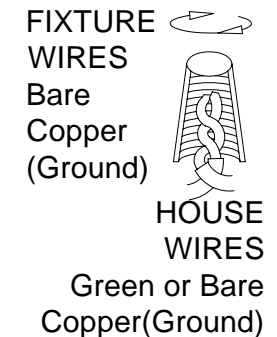
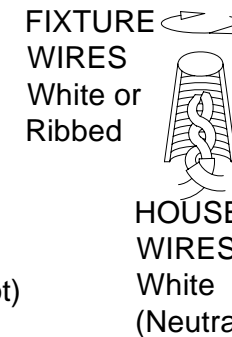
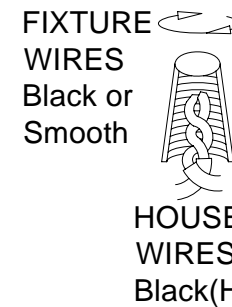


FIG.2



Thank you for purchasing a product.
Need assistance with parts or assembly? Please call customer service