

# INSTRUCTION MANUAL ENCLOSED

## **ATTENTION**

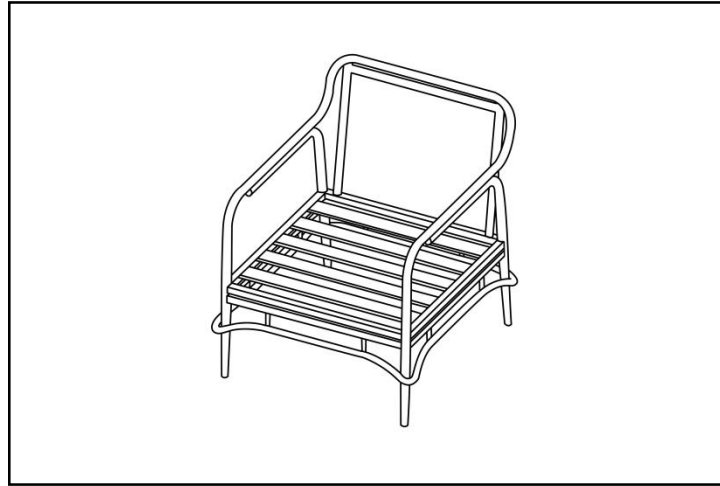
**IF YOU HAVE ANY PROBLEMS OR QUESTIONS, EMAIL OR CALL  
CUSTOMER SERVICE BEFORE YOU RETURN THIS PRODUCT TO THE  
STORE WHERE IT WAS PURCHASED.**

**\*\*When emailing Customer Service, please include your **Order Number** and **platform of purchase** in the email subject for quicker assistance.**

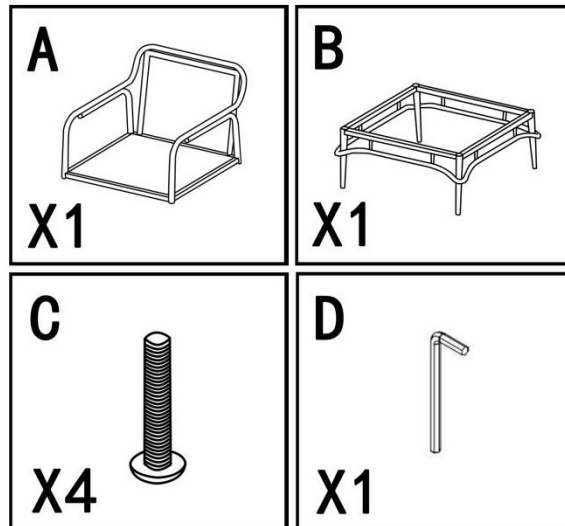
# INSTRUCTION MANUAL ENCLOSED

## CLUB CHAIR

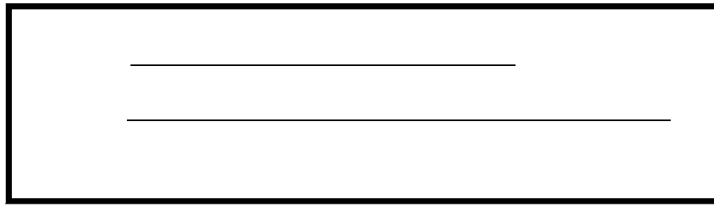
### CLUB CHAIR ASSEMBLY INSTRUCTION



Part	PARTS LIST Description	Quantity
	<i>PARTS</i>	
A	Top Frame	1
B	Under Frame	1
	<i>HARDWARE</i>	
C	Bolts(M6*35MM)	4
D	Allen Key	1



For Customer Service:



## PLEASE READ AND FOLLOW ALL SAFETY TIPS

### GETTING STARTED

1. Before assembly, CAREFULLY use scissors or utility knife to cut and unwrap all parts. Make sure you do not discard the hardware.
2. Make sure that you have all the parts listed. If you are missing any parts, please email Customer Service:

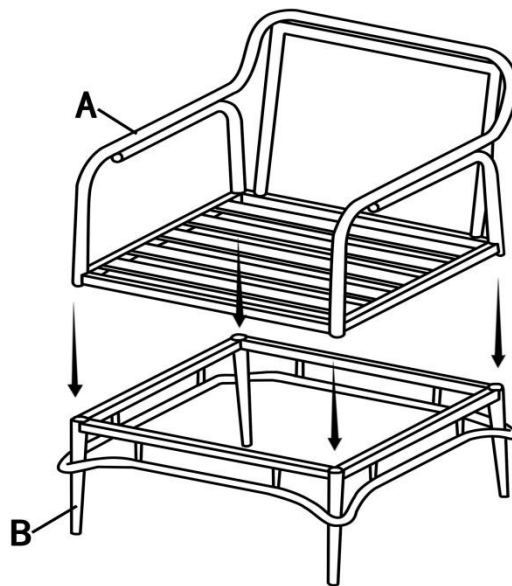
3. Please include your **Order Number** and **platform of purchase** in the email subject, and one of our customer service representative will get back to you.

#### Warm Tips:

1. The plastic covers on some metal parts are just for product protection. Please remove it before assembly.
2. Please follow the sequence of AI during assembly.
3. Do not tighten the screws until all of them are in right positions.

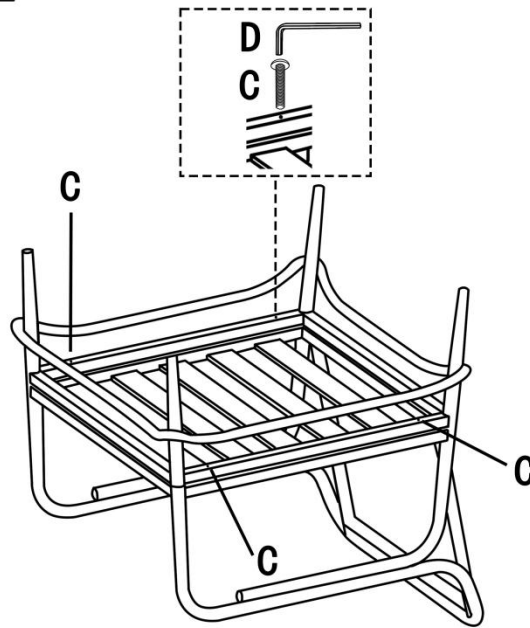
1. Locate Top Frame(A) to the Under Frame(B) by the pre-drilled Threads. (Photo 1)

### STEP1



2. Turn over the Chair frame carefully, Use Allen Key(D) to fasten Bolts(C), Then turn over the Chair to the upright position carefully.

## STEP2



3. Follow the same instruction for the other Club chairs.

Till now you have finished the whole assembly and enjoy your club chairs.