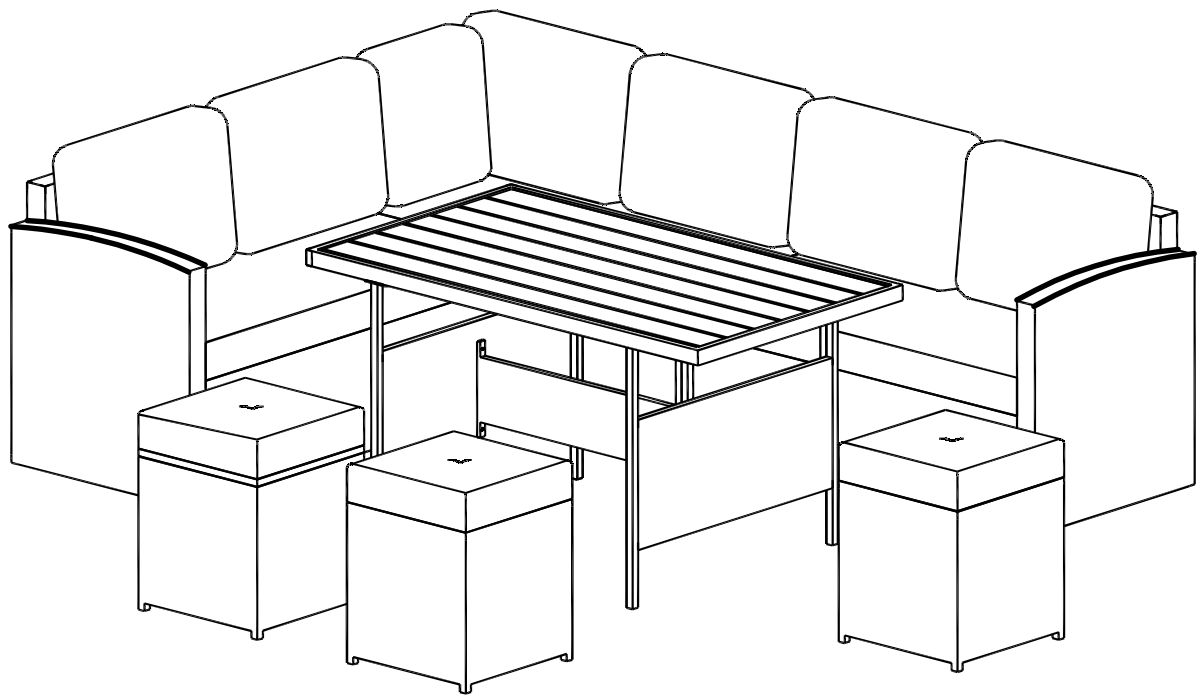
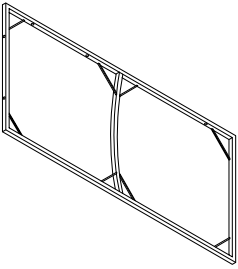
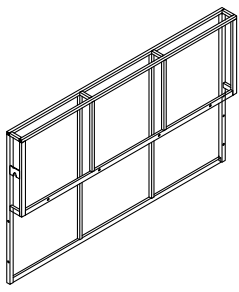
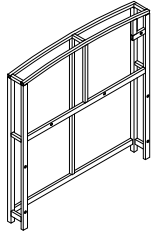
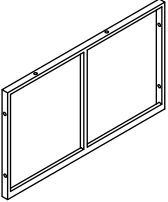
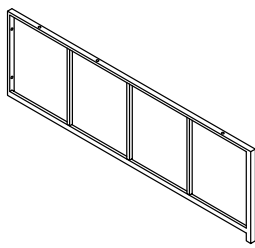
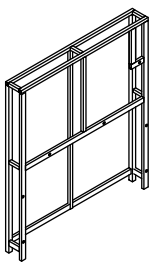
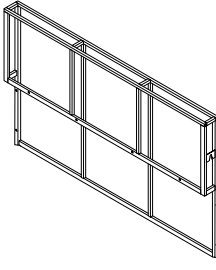
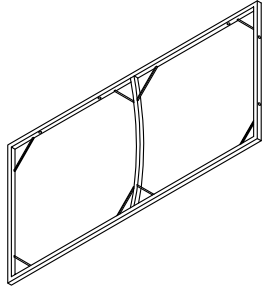
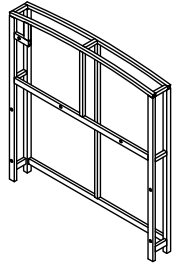
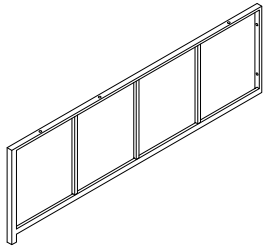
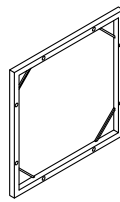
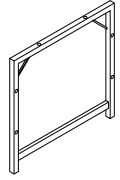
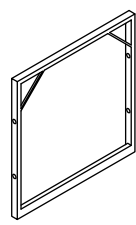
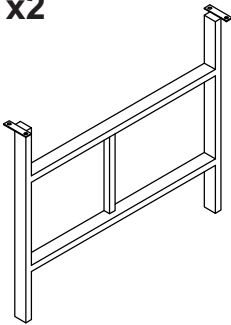
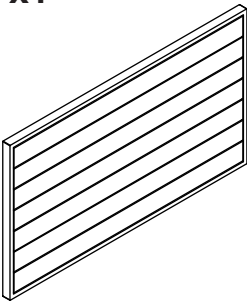
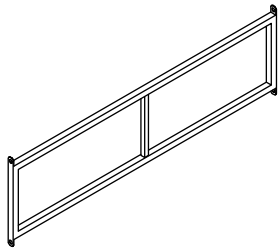
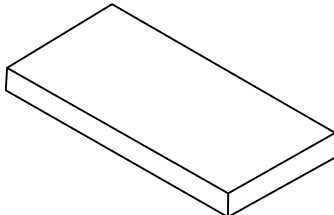
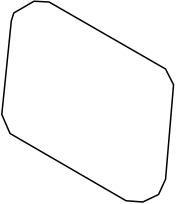
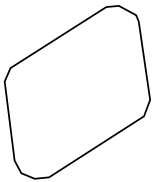
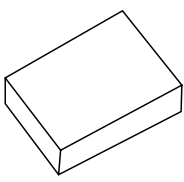


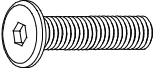
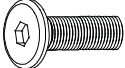

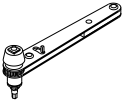
ASSEMBLY INSTRUCTIONS



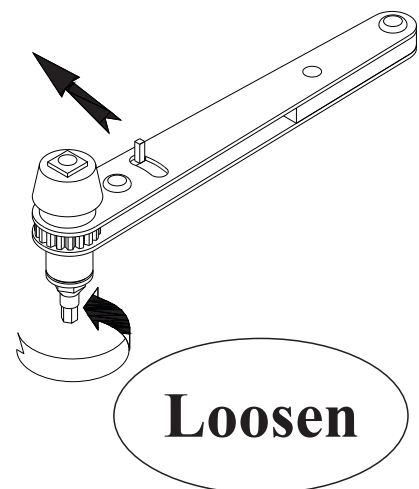
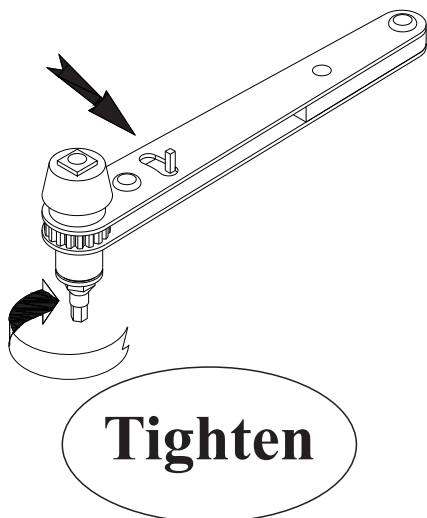
Past List Poly rattan

A x2 	B x2 	C x1 	D x3 
E x2 	F x1 	G x1 	H x1 
I x1 	J x1 	K x3 	L x6 
M x6 	N x2 	O x1 	P x1 
Q x3 	R x6 	T x1 	X x3 

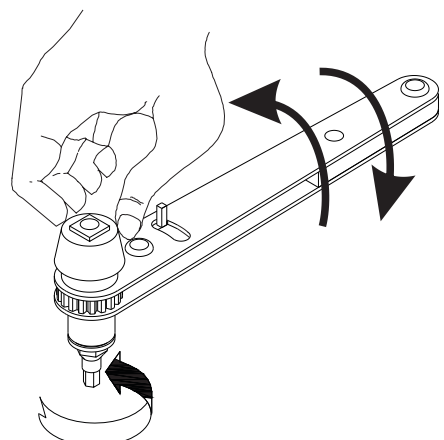
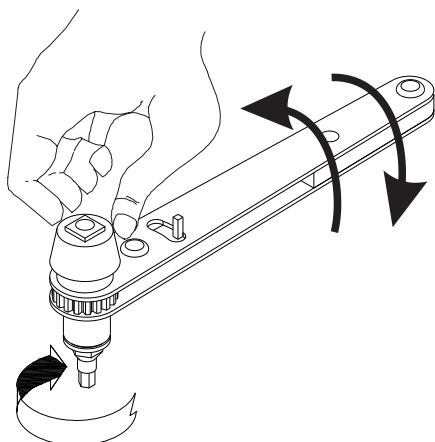
Hardware

1		Φ 6 x 35 mm	x102
2		Φ 6 x 20 mm	x12
3		Washer	x114
4		Allen Wrench	x2

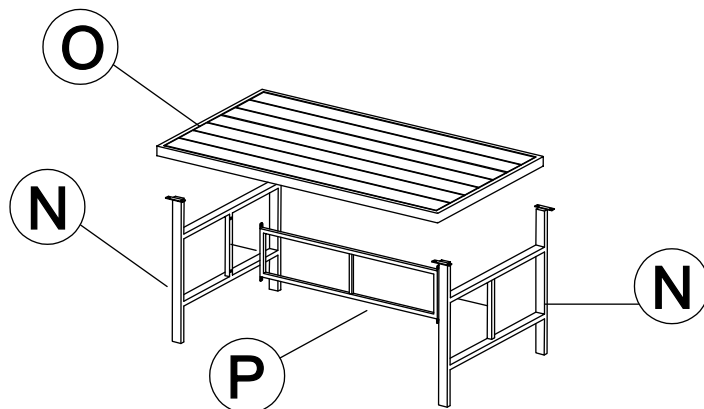
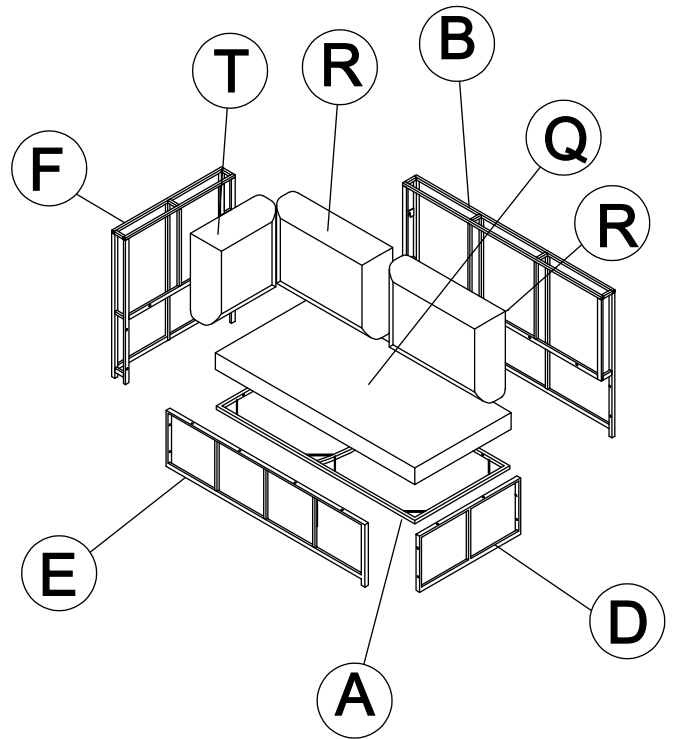
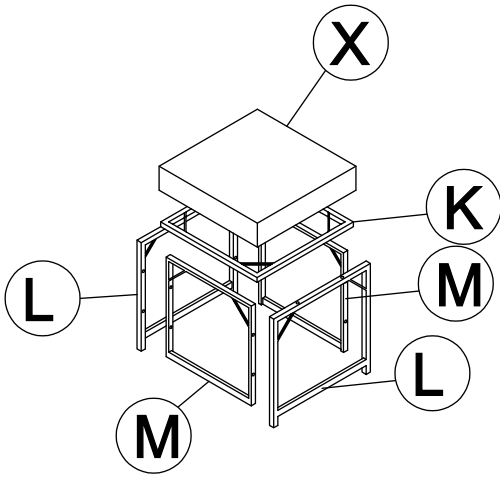
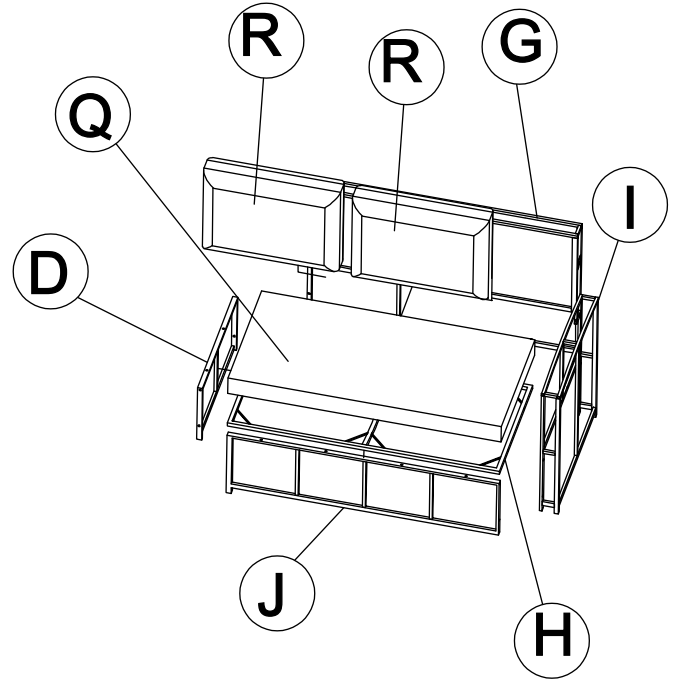
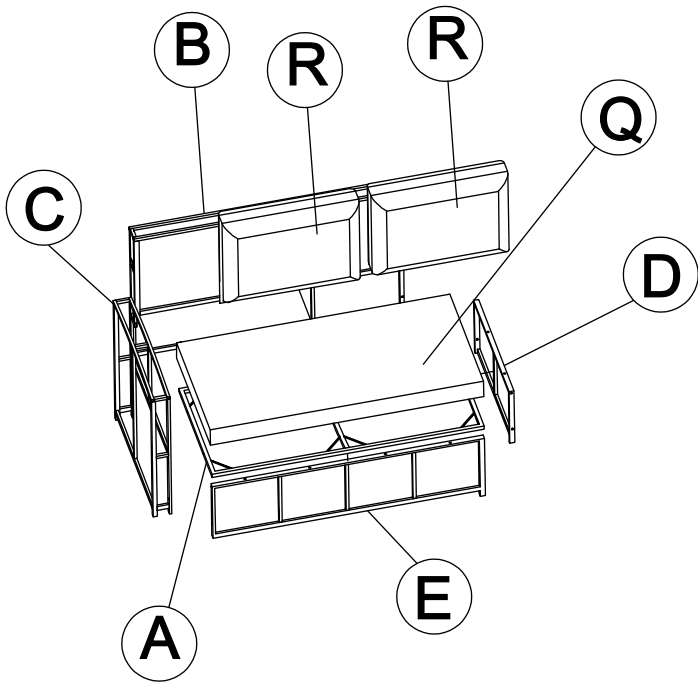
* Allen Wrench Usage:



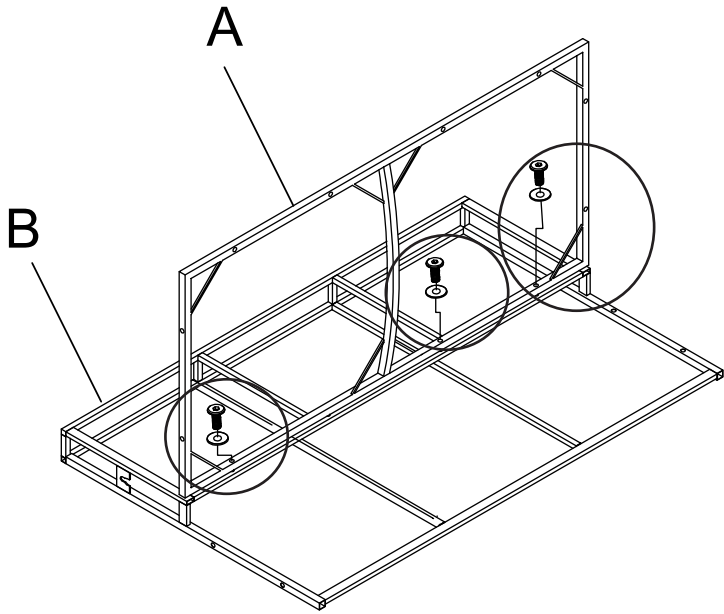
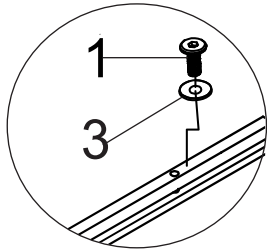
- (1) Tighten the screw 50% by hand first
- (2) Align and press the wrench top by one hand/ finger
- (3) Turn the handle forward and backward to tighten the bolt



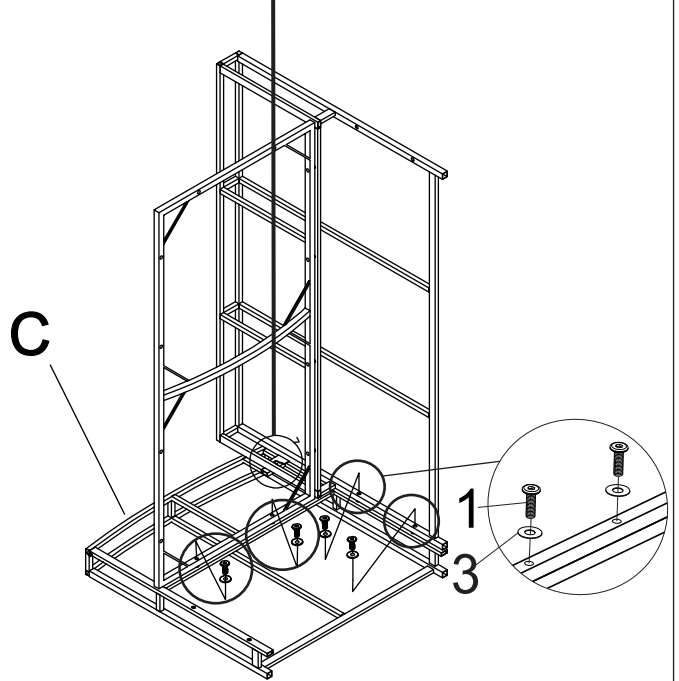
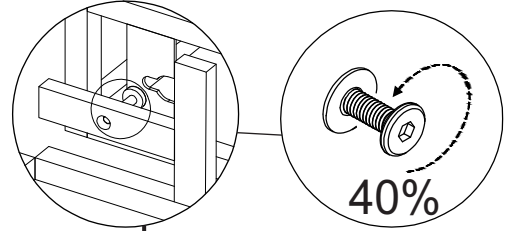
Note: Do not tighten bolts 100% until all parts are connected



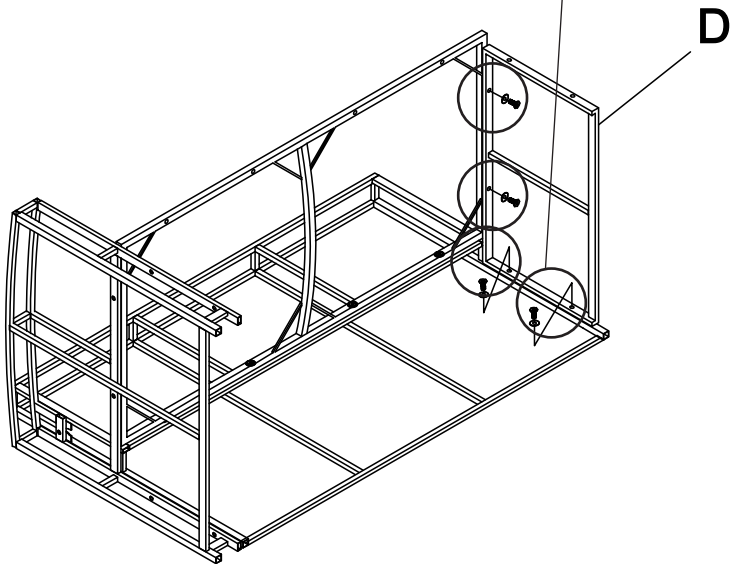
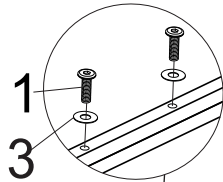
Step 1



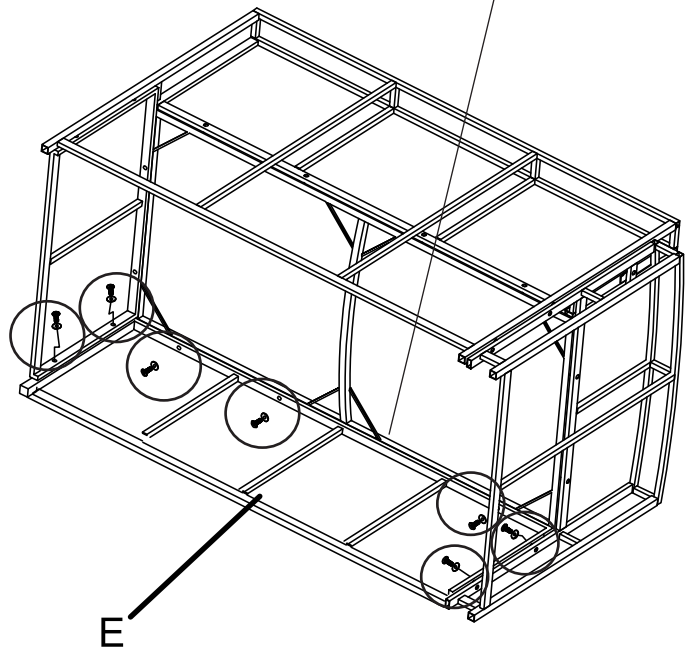
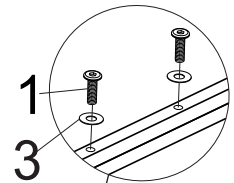
Step 2





Step 3

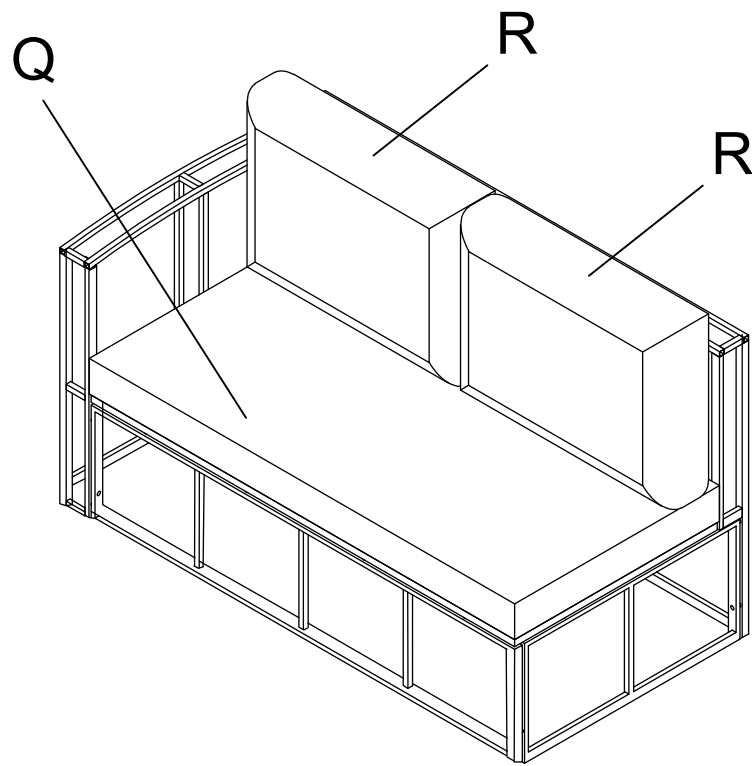


Step 4

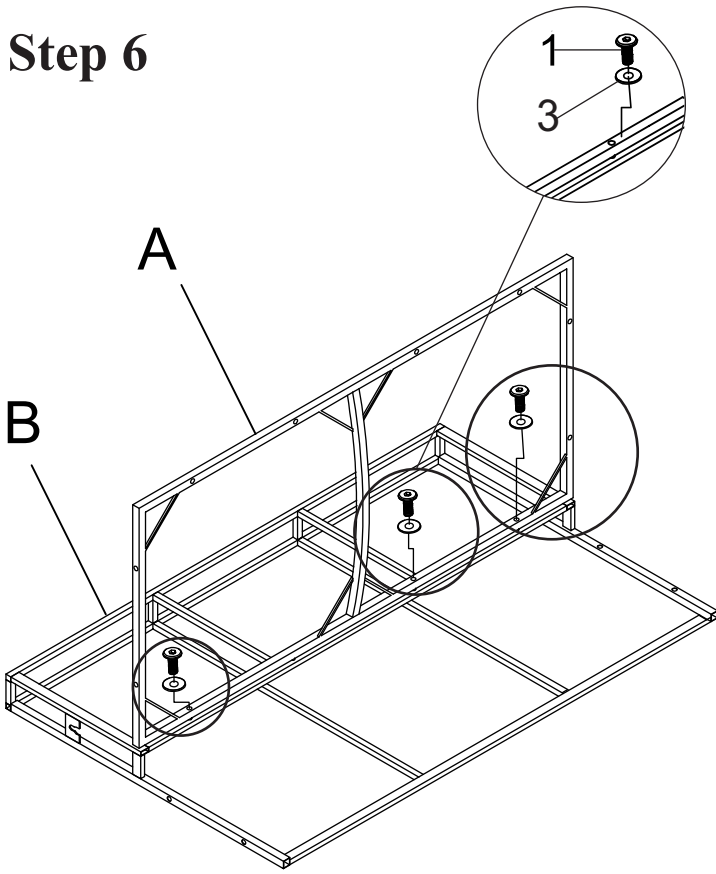


1		Φ 6 x 35 mm	x18
3		Washer	x18

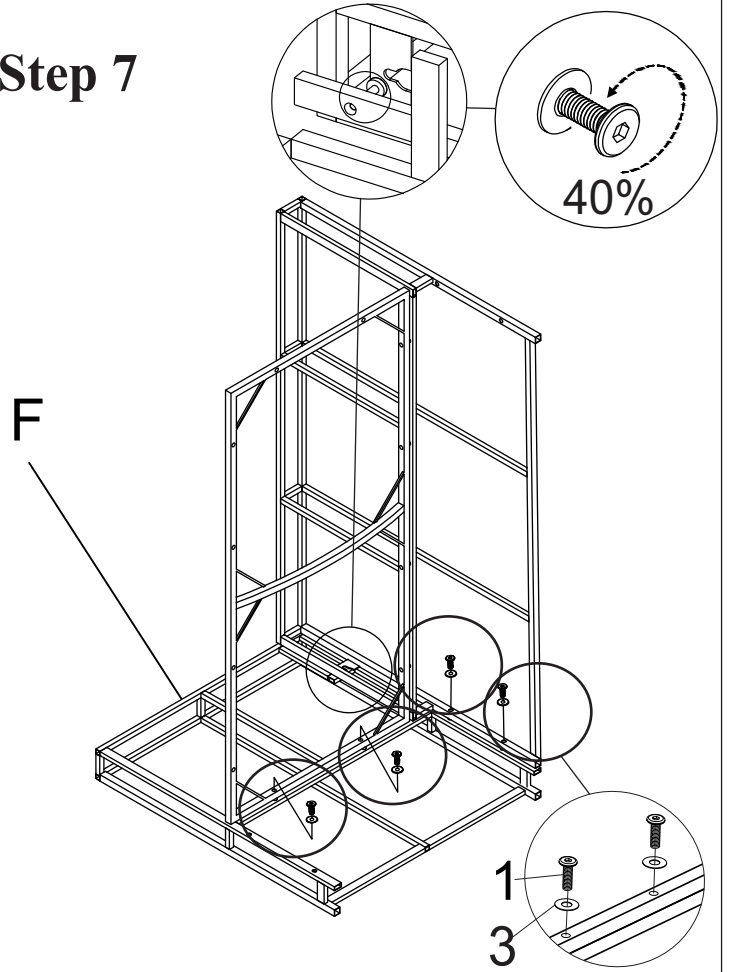
Step 5



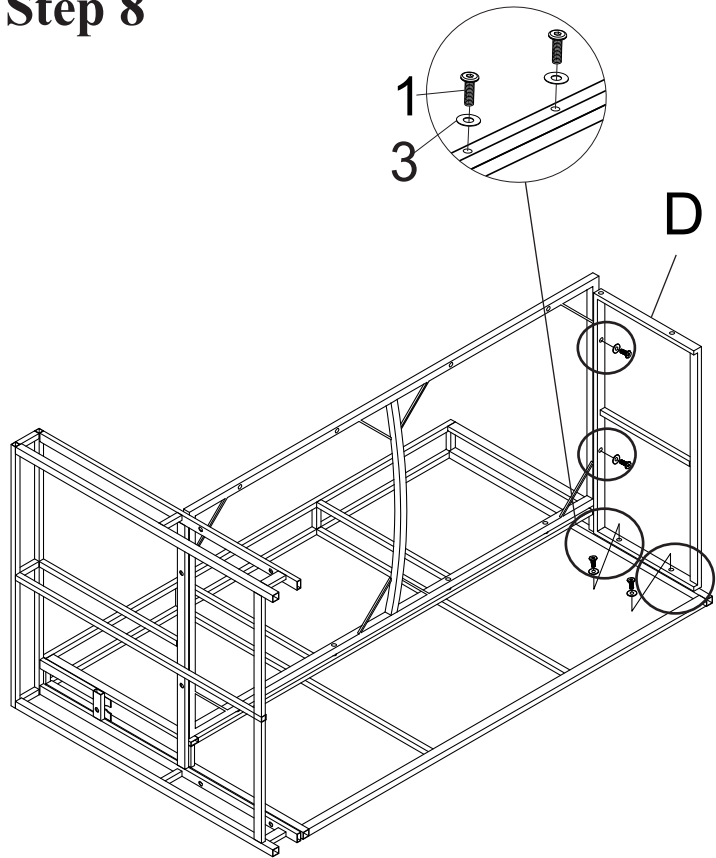
Step 6



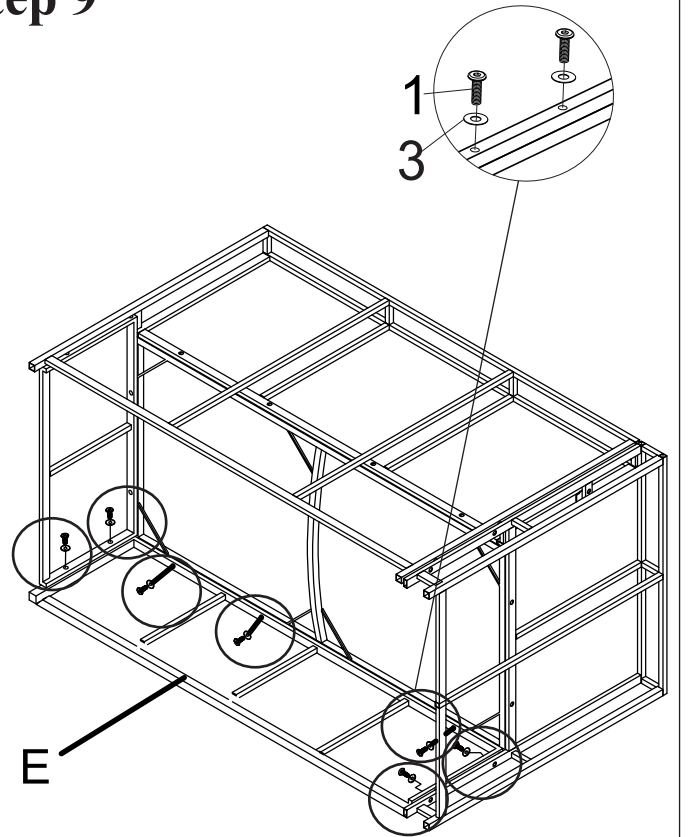
Step 7





Step 8

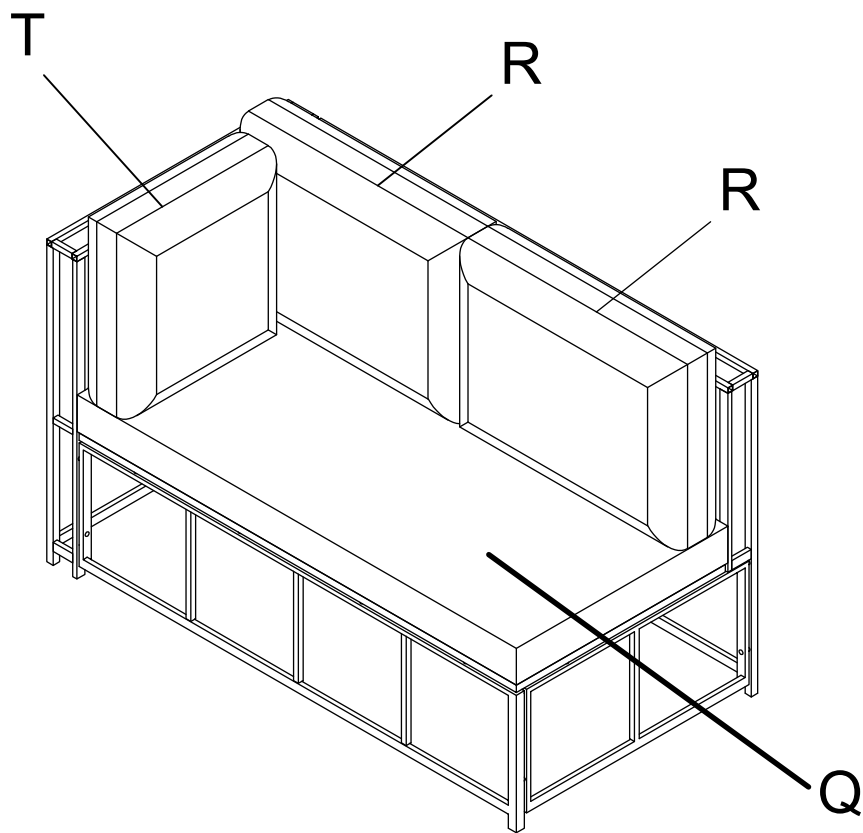


Step 9

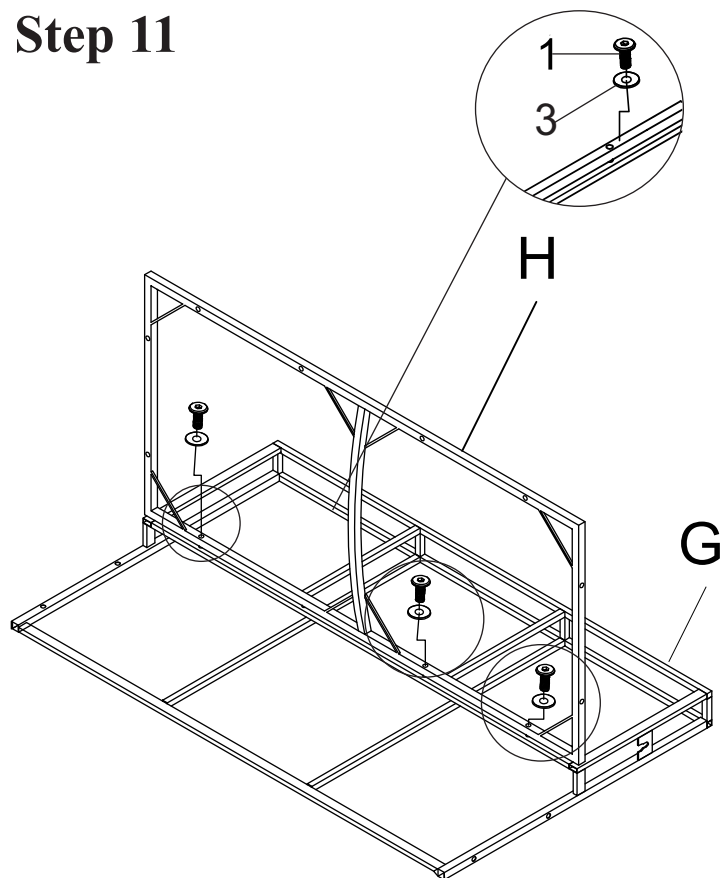


1		$\Phi 6 \times 35 \text{ mm}$	x18
3		Washer	x18

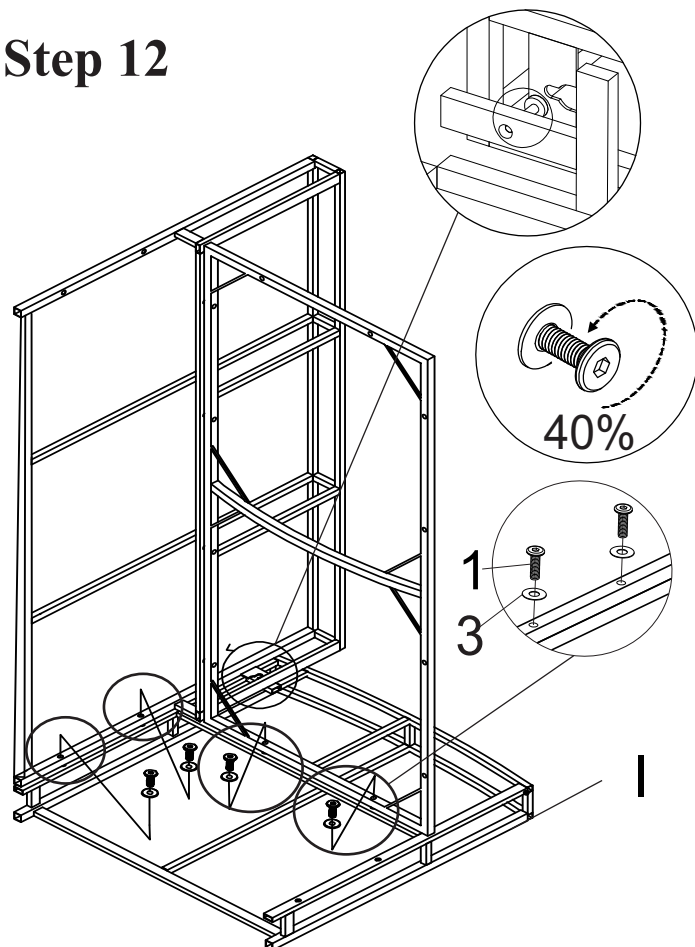
Step 10



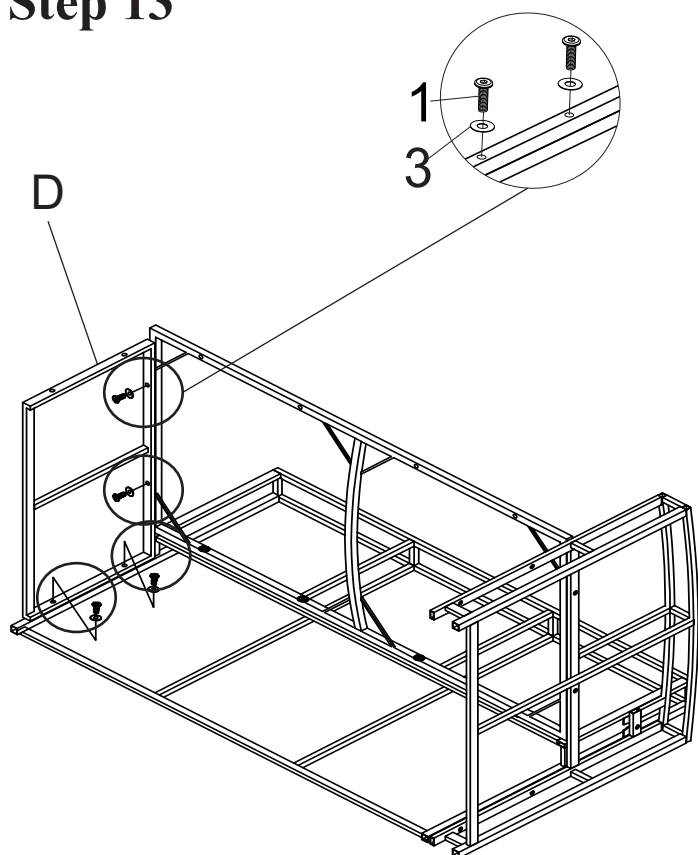
Step 11



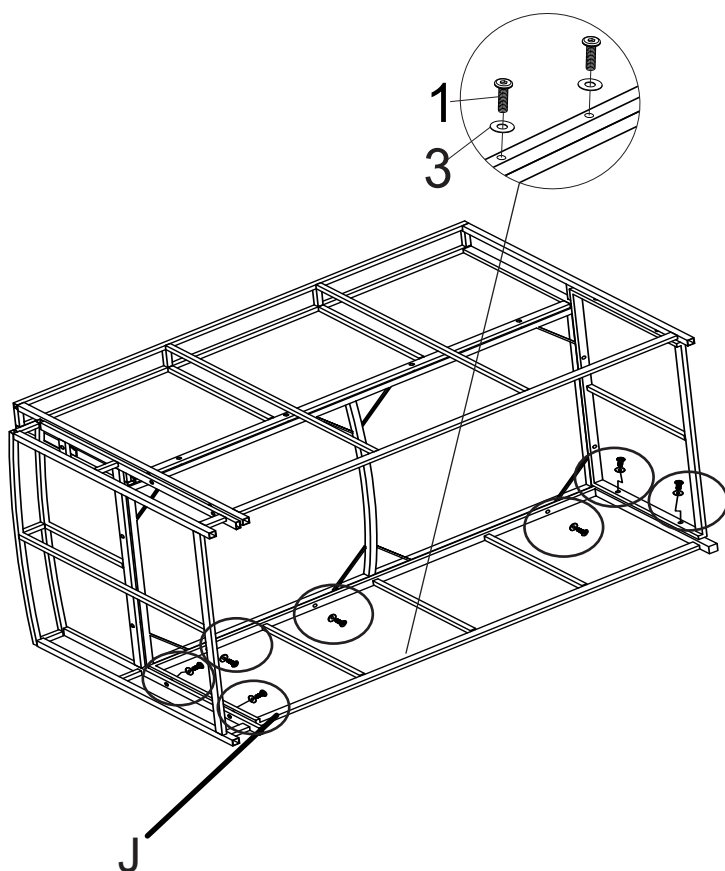
Step 12





Step 13

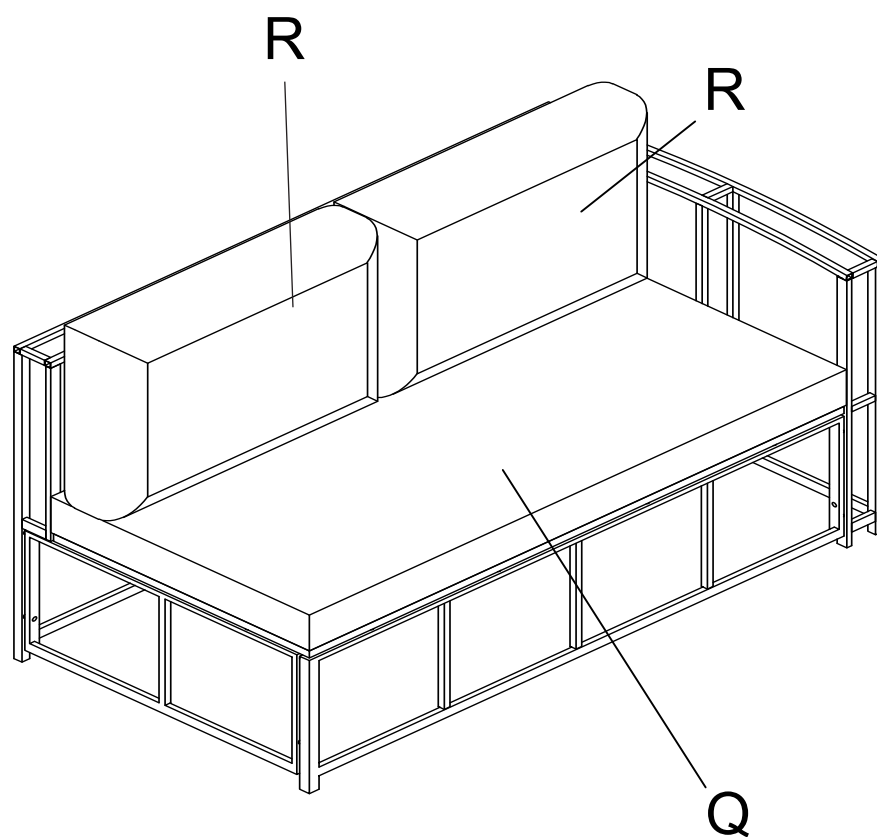


Step 14



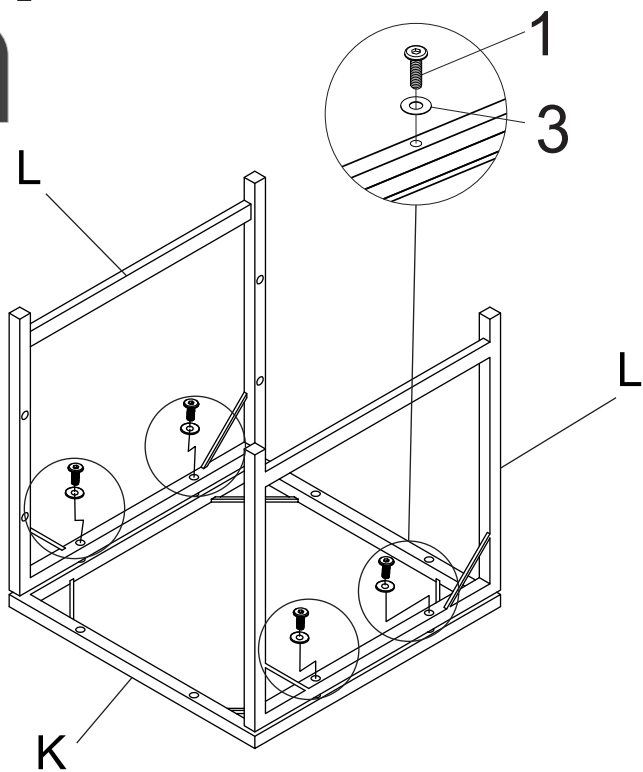
1		Φ 6 x 35 mm	x18
3		Washer	x18

Step 15



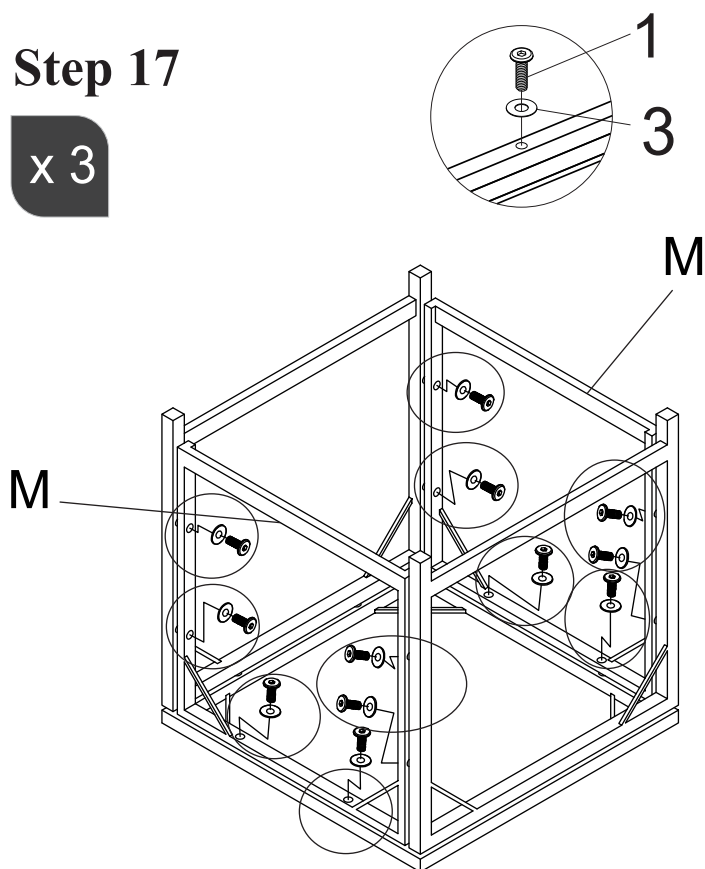
Step 16

x 3



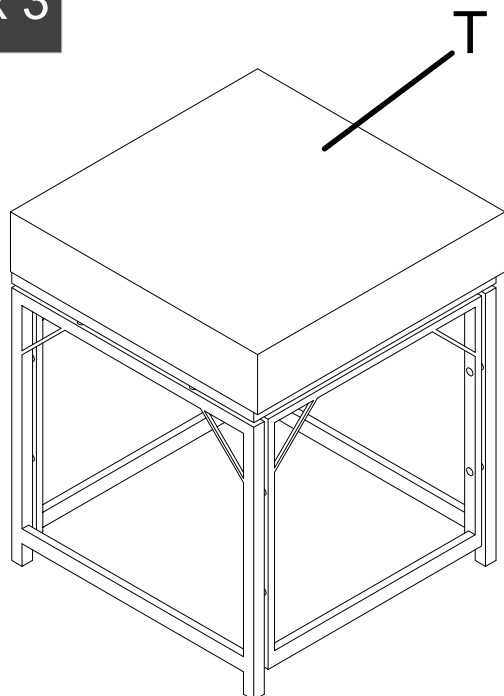
Step 17



x 3



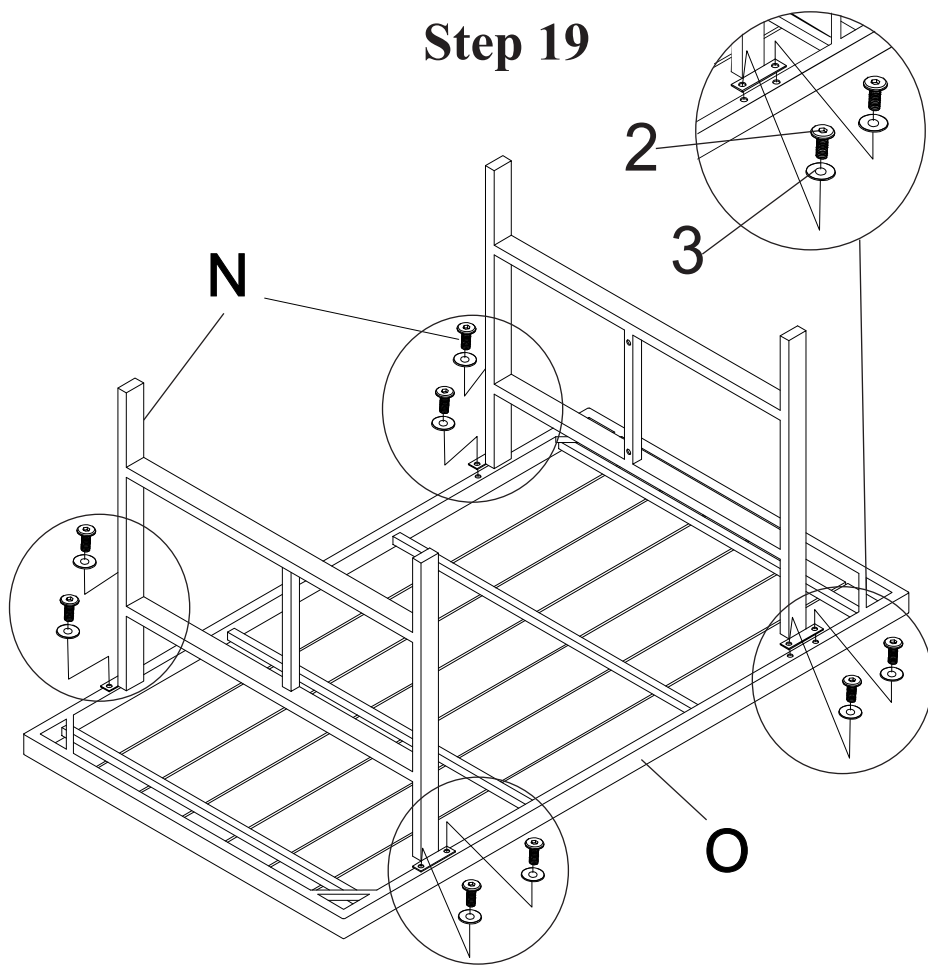
Step 18

x 3

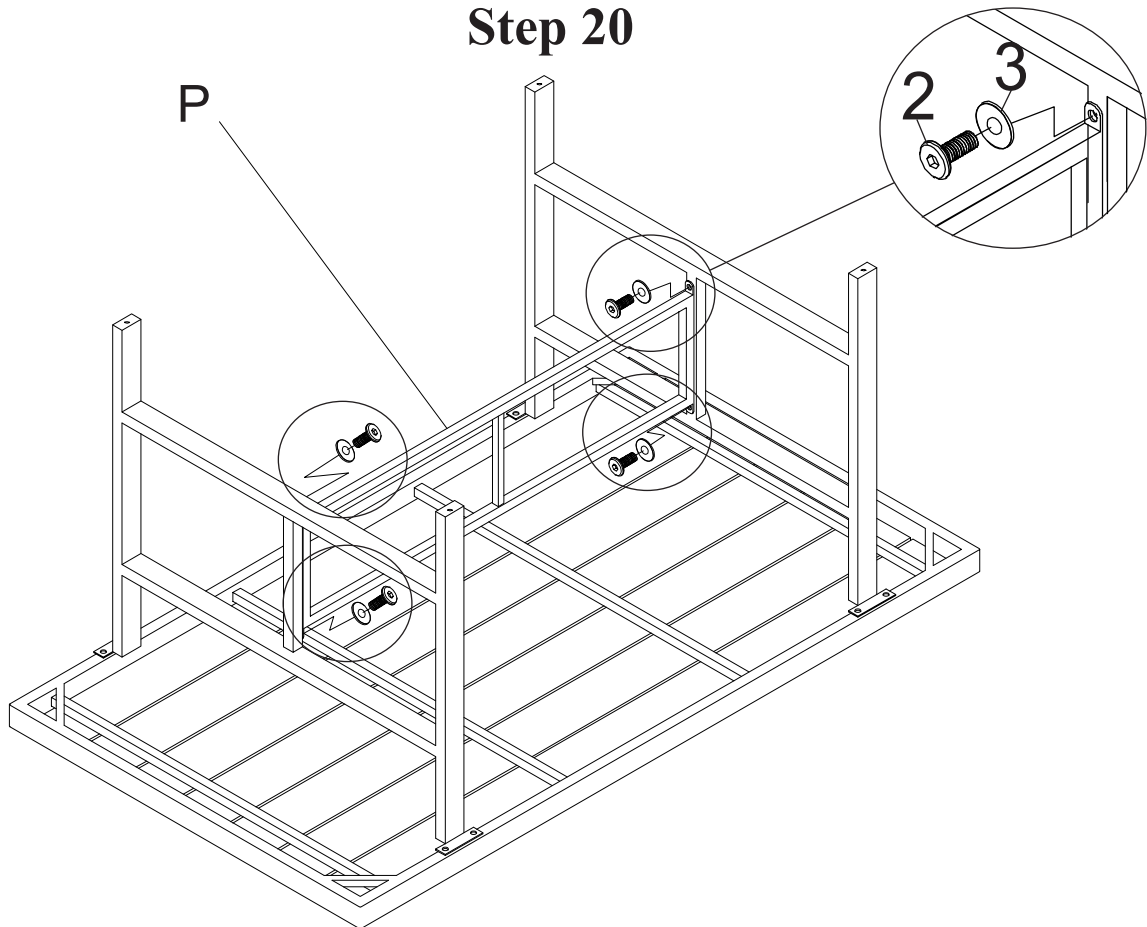




1		Φ 6 x 35 mm	x16
3		Washer	x16

Step 19



Step 20



2		Φ 6 x 20 mm	x12
3		Washer	x12

Furniture Care & Cleaning Instructions

- Avoid exposing the furniture to direct sunlight, as it can cause discoloration and shorten the product's lifespan.
- Keep the furniture away from extreme heat, cold, or humidity, which may cause wood to swell, warp, or crack.
- Do not leave the furniture wet or allow water to pool on the surface.
- Wipe up spills immediately with a clean, dry cloth.
- **Do not use** harsh chemicals, solvents, or abrasive cleaners.
- **Note:** Over time, bolts may slightly loosen. If your furniture feels **wobbly or unstable**, re-tighten the bolts as needed.

Furniture Warranties

90-Day Limited Warranty

All of our furniture is covered by a **90-day warranty** from the date of delivery against **manufacturer defects and structural failure under normal use and conditions**, as well as **damage to parts**.

- Parts will be replaced, repaired, or refinished in the original color and style, if available.
- If the original color or style has been discontinued, a **similar color and style** will be provided.

Important Limitations

This warranty **does not cover:**

- Any repairs or modifications made after purchase
- Accidental damage, abuse, or misuse
- Commercial use
- Normal wear and tear, including fading, scratches, chips, or weathering under typical conditions
- Stains or discoloration

Warranties apply **only to the original purchaser**.

Any defects or missing parts **must be reported within 30 days** of receiving the merchandise.

What is Proposition 65?

Proposition 65 is a California law that requires warning labels on products that may contain one or more of over 800 chemicals identified by the California Office of Environmental Health Hazard Assessment (OEHHA) as potentially causing cancer, birth defects, or other reproductive harm. Common substances on this list include **wood dust, brass, and other everyday materials** often found in household items such as lamps, tableware, jewelry, crystal glasses, electric cords, beauty products, automobiles, and furniture.

Why Did I Find a Proposition 65 Warning on My Home Goods Product?

We include Proposition 65 warnings on all of our products because there is a possibility that one or more of the listed chemicals could be present in the furniture or packaging materials. California law imposes significant fines for failing to include this warning, so we apply it universally to ensure compliance.

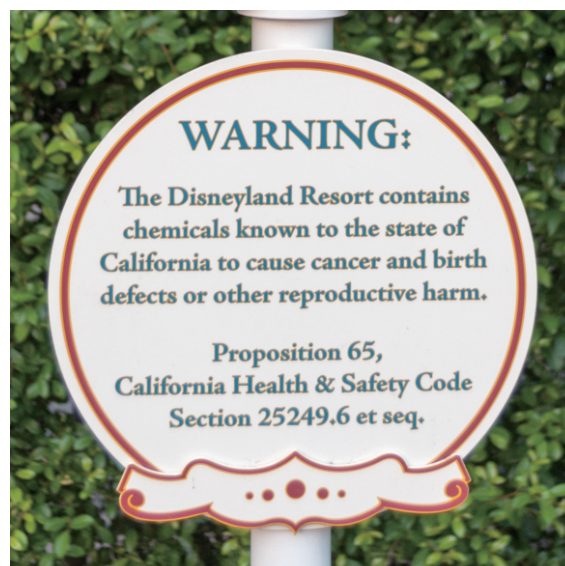
Should I Be Concerned?

While we understand that seeing this label may cause concern, please rest assured that **the levels of these chemicals have never been detected at hazardous limits** in any of the furniture we have shipped to our customers.

This warning label is extremely common and appears on the majority of furniture items sold in California.

How Common Are Proposition 65 Warnings?

Proposition 65 warnings are so widespread in California that you can find them almost everywhere. From local banks, grocery stores, and restaurants to amusement parks. Even the **Disneyland Resort** prominently displays a Proposition 65 warning.



Questions?

We're here to help.

Call us at (845) 402-0665 or email us at cs@sanderscollection.com

90 Day Limited Warranty