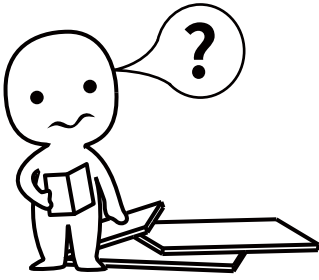


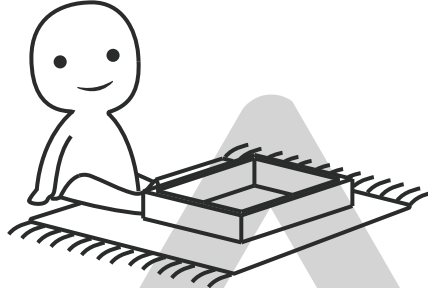
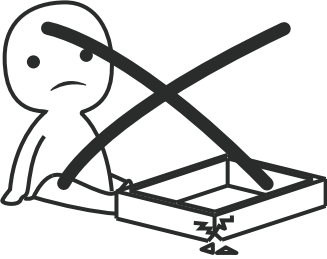
INSTALLATION

Product Manual



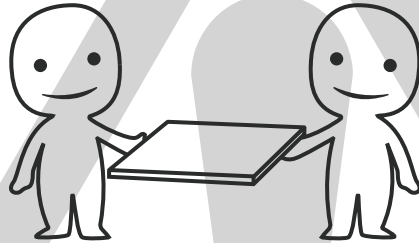
IMPORTANT INFORMATION!

please read the entire manual before starting to assemble and/or using this product. follow the manual thoroughly and keep it for further reference.



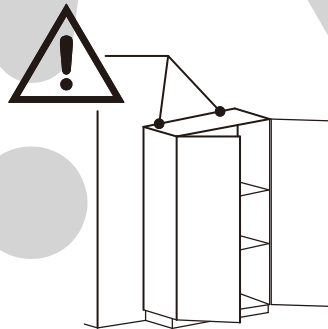
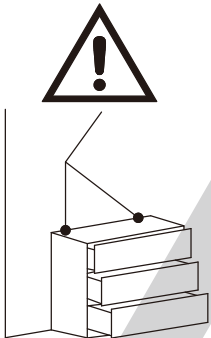
AVOID SCRATCHES!

In order to avoid scratching this furniture should be assembled on a soft layer- could be a rug.



IMPROVE EFFICIENCY !

Try to find a partner to install with you, which can speed up the installation efficiency and shorten the time.



ANTI-TOPPLE WARNING !

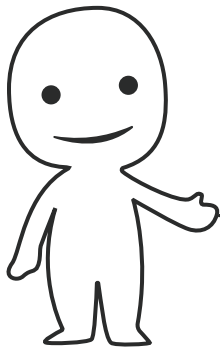
Overturnd furniture can cause serious or fatal crush injuries. To prevent tipping over, be sure to use the wall attachment, if not included with this product. Please purchase the wall attachment that fit your wall. If unsure, seek professional advice. Please read and follow each step of the instructions carefully.

IMPORTANT !

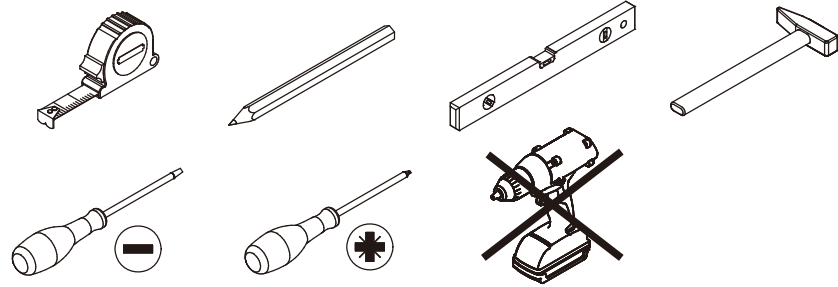
It is important that any product which is assembled using any kind of screw is re-tightened 2 weeks after assembly, and once every 3 months - in order to assure stability through-out the lifespan of the product.

For regular maintenance and cleaning of the product, for the frame, please use a rag dipped in neutral detergent to fully wipe it, and then dry it with a clean rag. For glass materials, wipe with a rag dampened with water glass cleaner, and then dry with a dry rag.

Do not use an electric screwdriver, and do not use too much force when installing, because the board is easy to break.

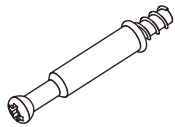


Please prepare the following tools



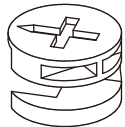
When installing, please carefully confirm whether each screw corresponds to the manual, accessories with similar shapes can be distinguished by size

A x 52



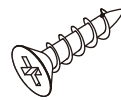
Ø 6 x 35 mm

B x 52



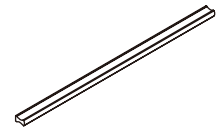
Ø 14 x 9 mm

C x 68

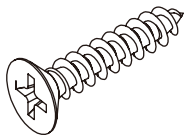


Ø 3 x 12 mm

D x 4

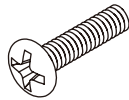


E x 16



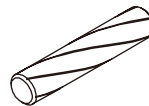
Ø 4 x 30 mm

F x 8



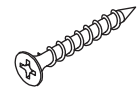
Ø 4 x 16 mm

G x 44



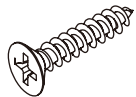
Ø 6 x 30 mm

H x 24



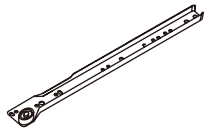
Ø 4 x 35 mm

J x 8

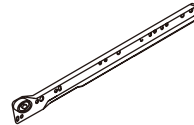


Ø 4 x 20 mm

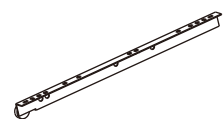
CL x 4



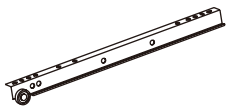
CR x 4

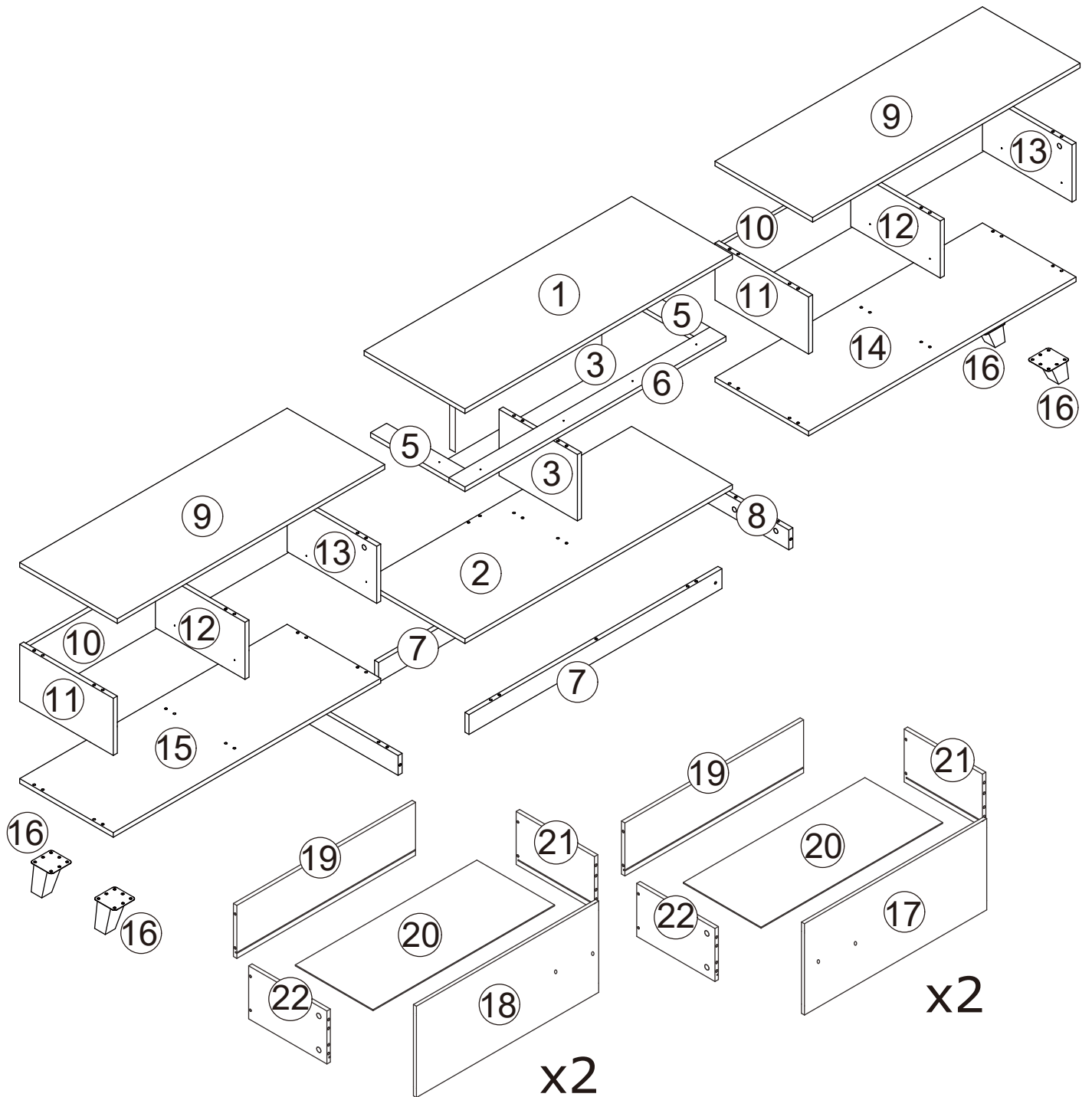


DL x 4



DR x 4



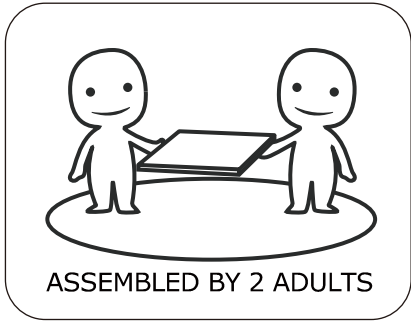


⚠ WARNING

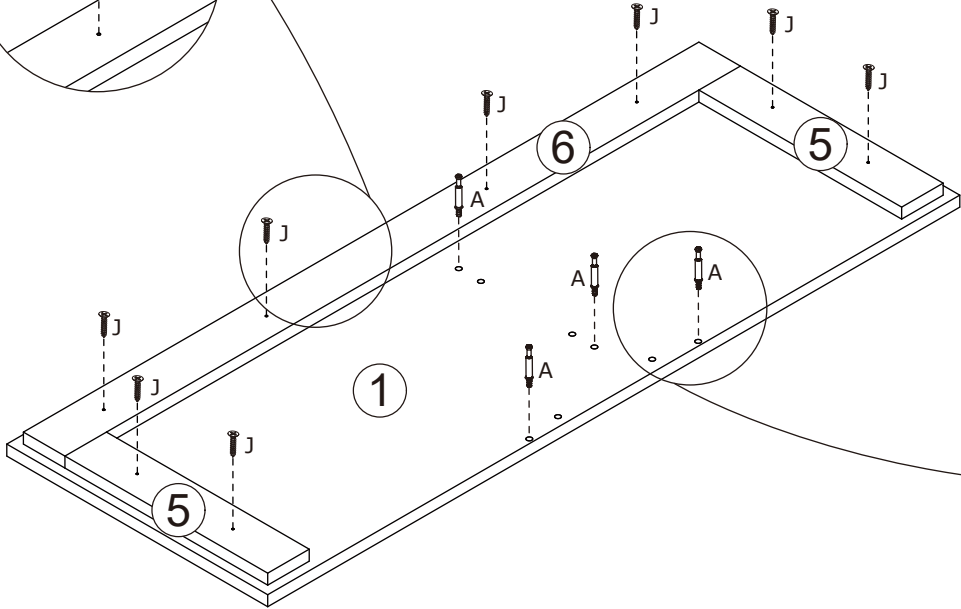
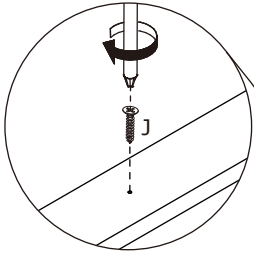
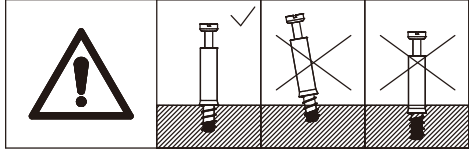
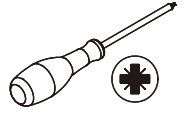
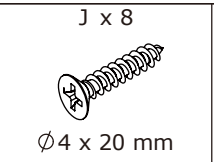
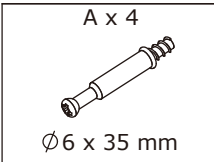
Children have died from furniture tipover. To reduce the risk of furniture tipover:

- ALWAYS install tipover restraint provided.
- NEVER put a TV on this product.
- NEVER allow children to stand, climb or hang on drawers, doors, or shelves.
- NEVER open more than one drawer at a time.
- Place heaviest items in the lowest drawers.

This is a permanent label. Do not remove!

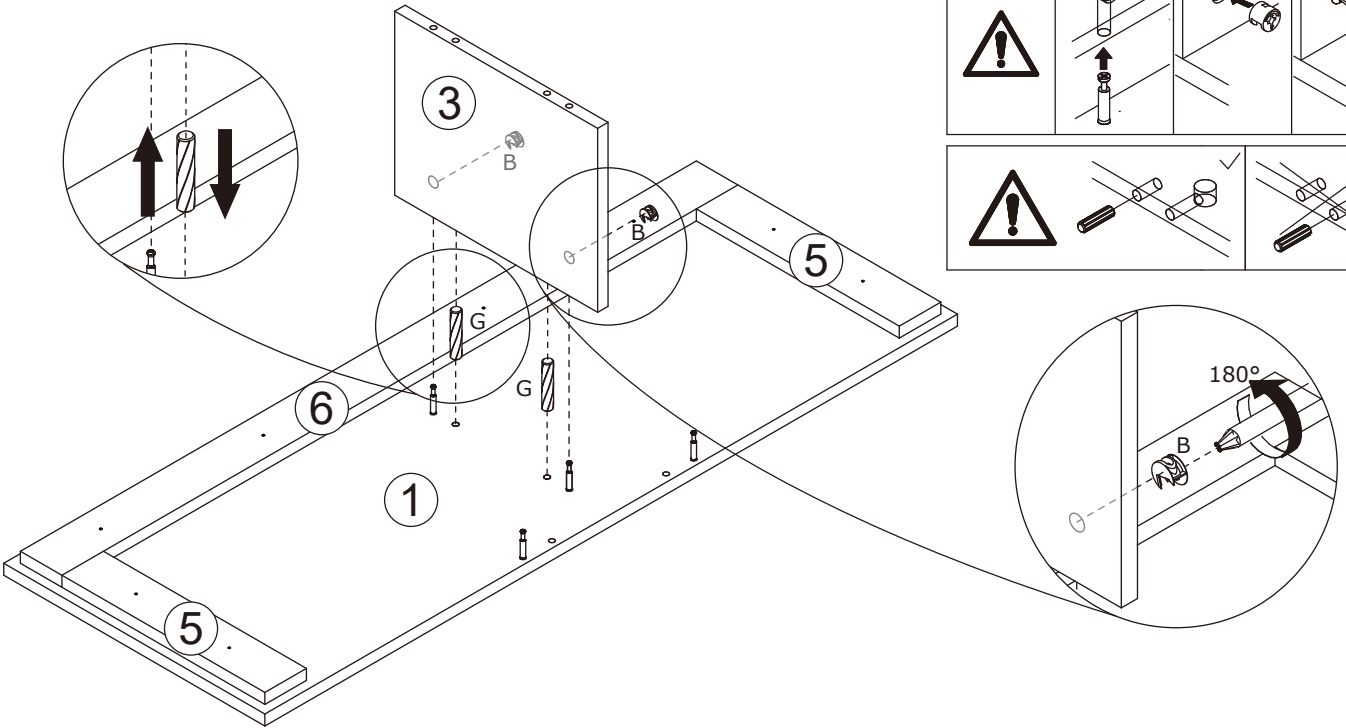
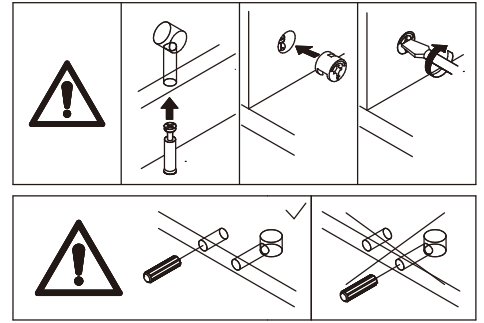
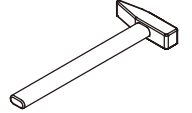
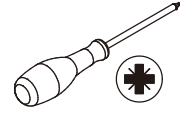
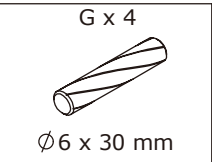
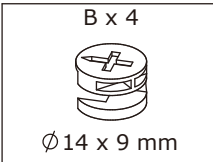


1

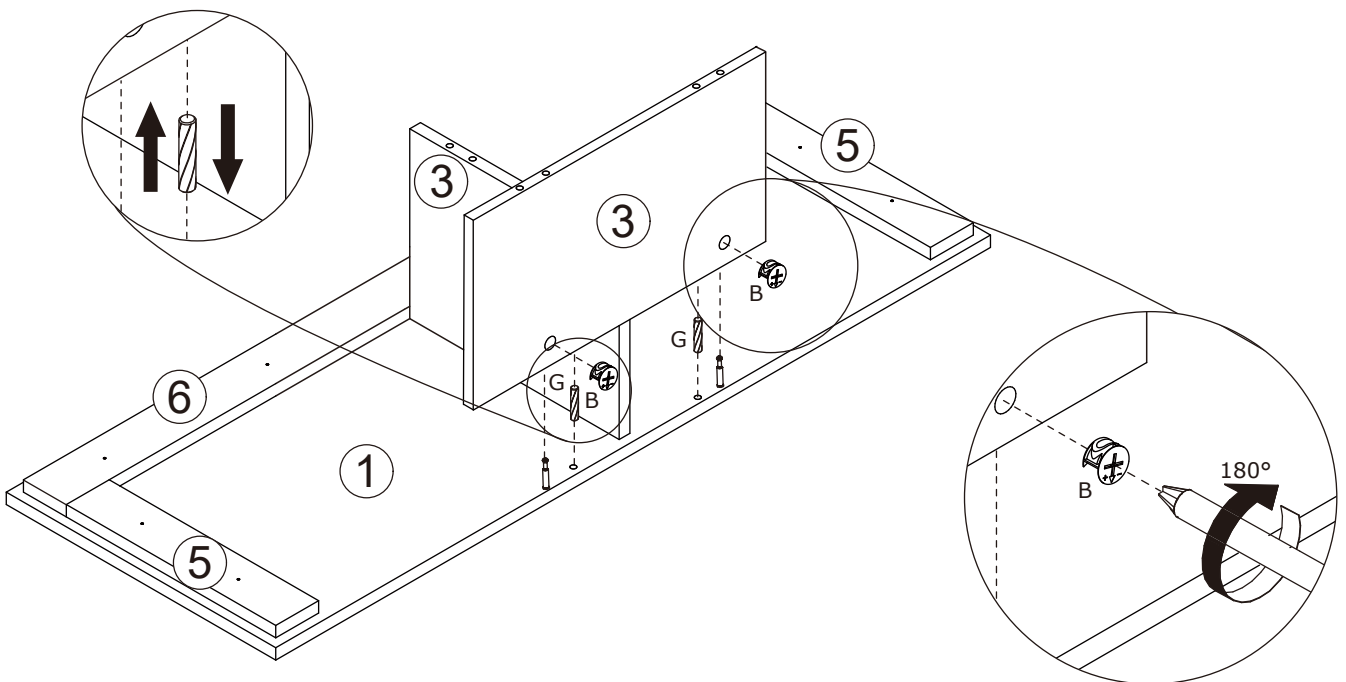


Screw eccentric rod(A) into board 1 with a screwdriver as shown.
Fix board 5 and 6 to board 1 with screw(J) as shown.

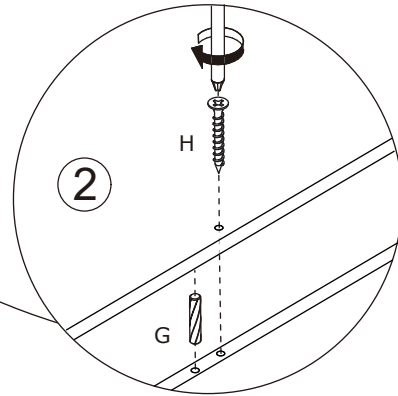
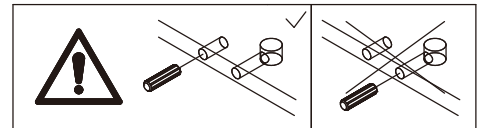
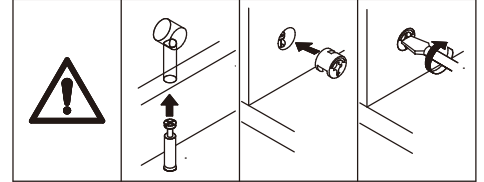
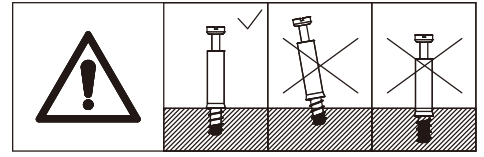
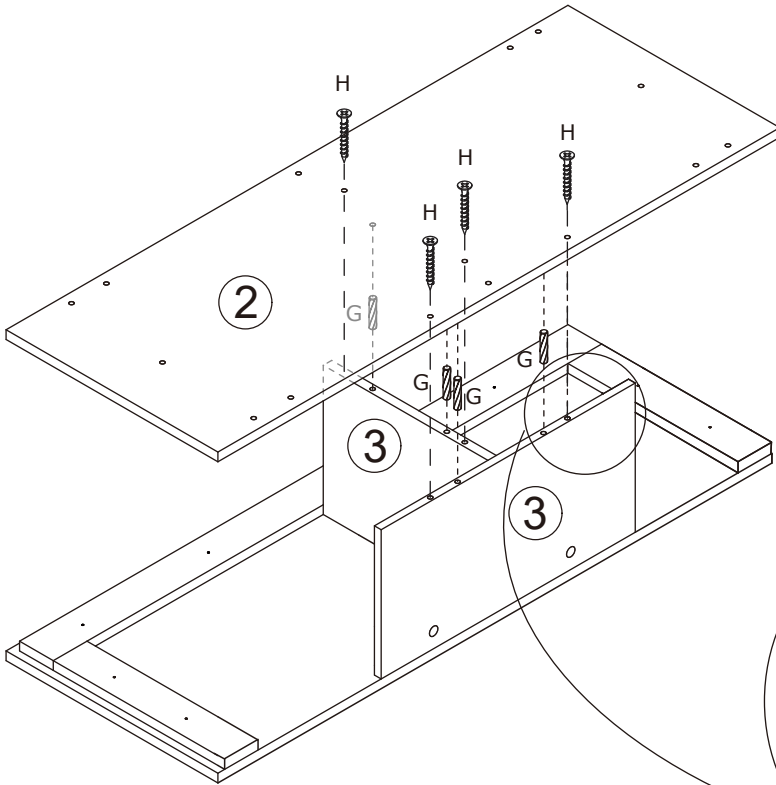
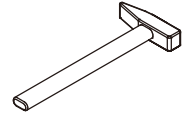
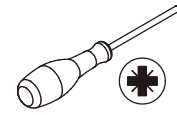
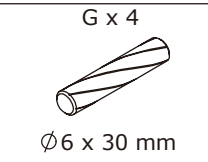
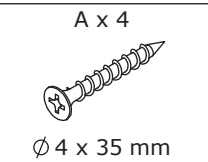
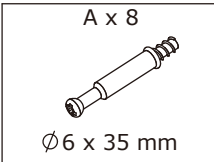
2



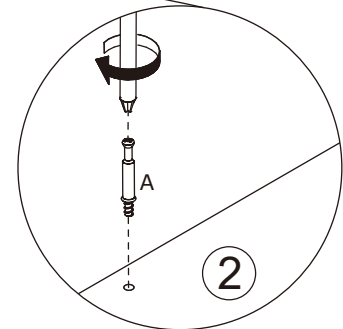
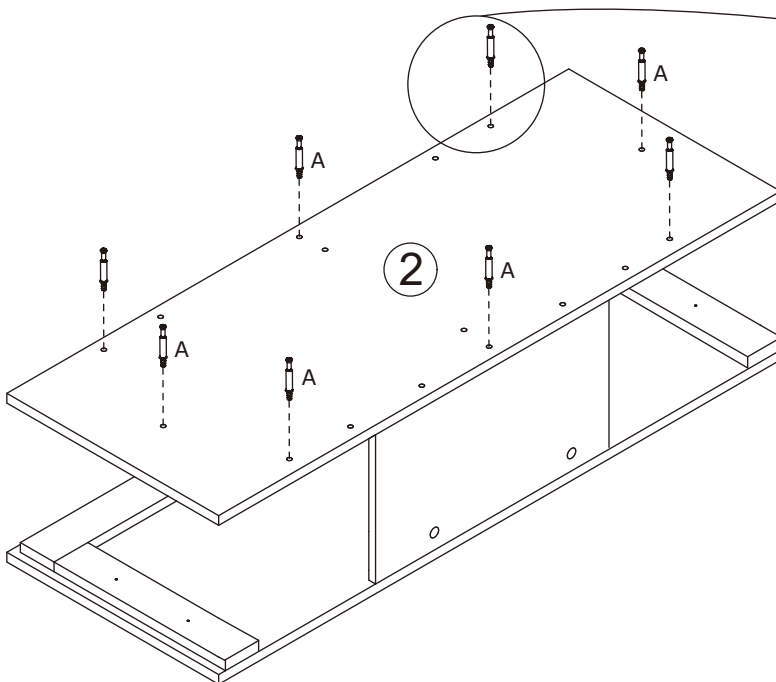
Insert wooden dowel(D) into board 1 at first.
Attach board 3 and 3 to board 1, add cam lock(B) into
board 3 and 4 and turn clockwise to tighten as shown.



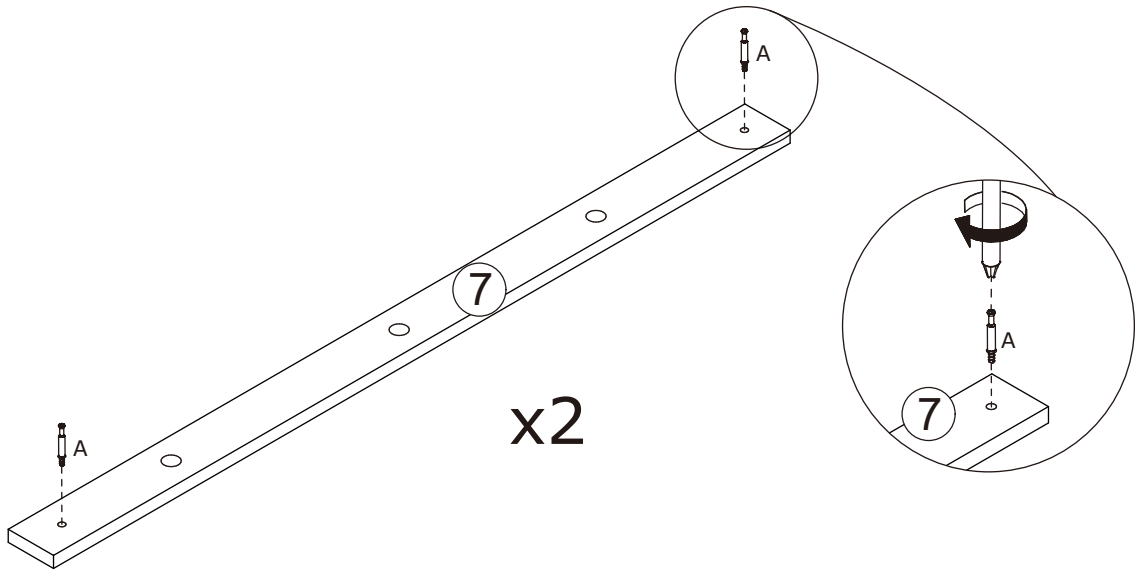
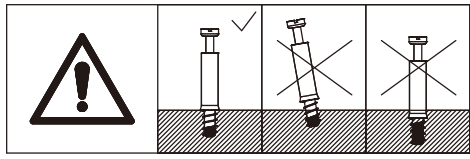
3



Screw eccentric rod(A) into board 2 with a screwdriver as shown.

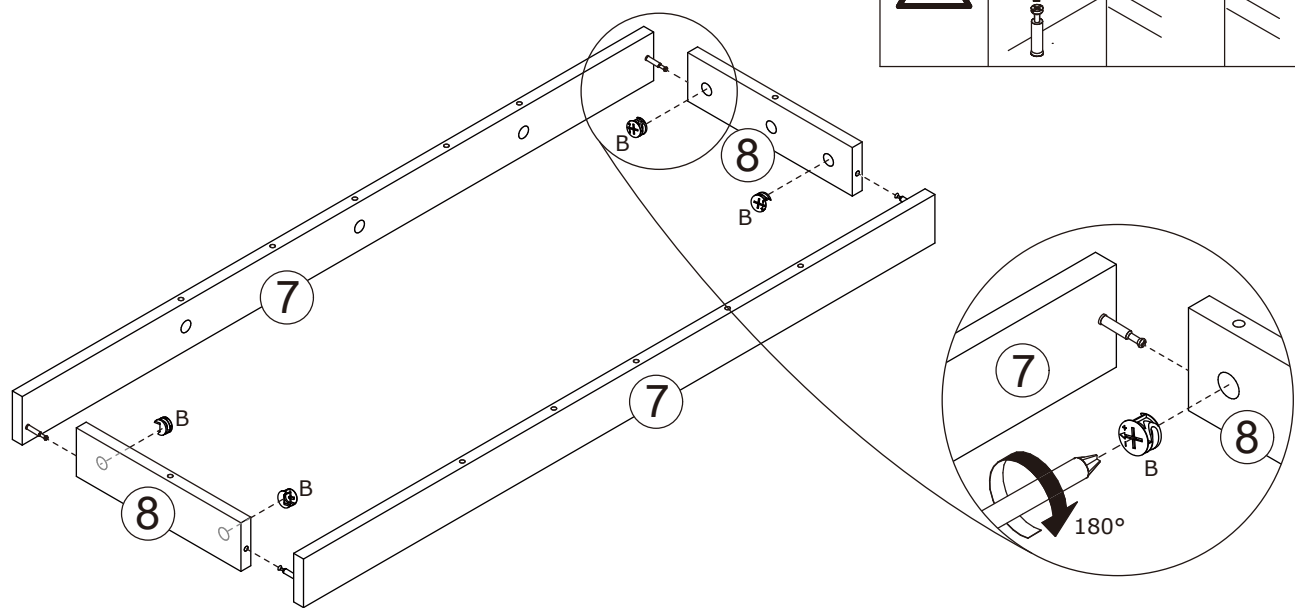
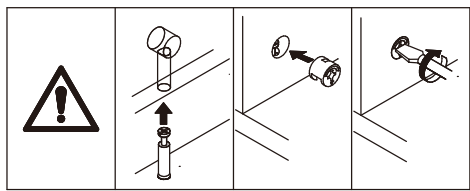


4



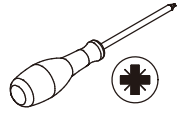
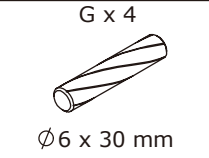
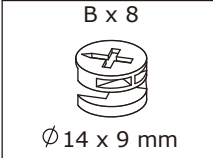
Screw eccentric rod(A) into board 7 with a screwdriver as shown.

5

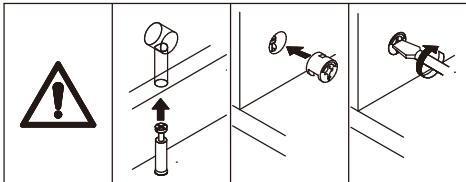
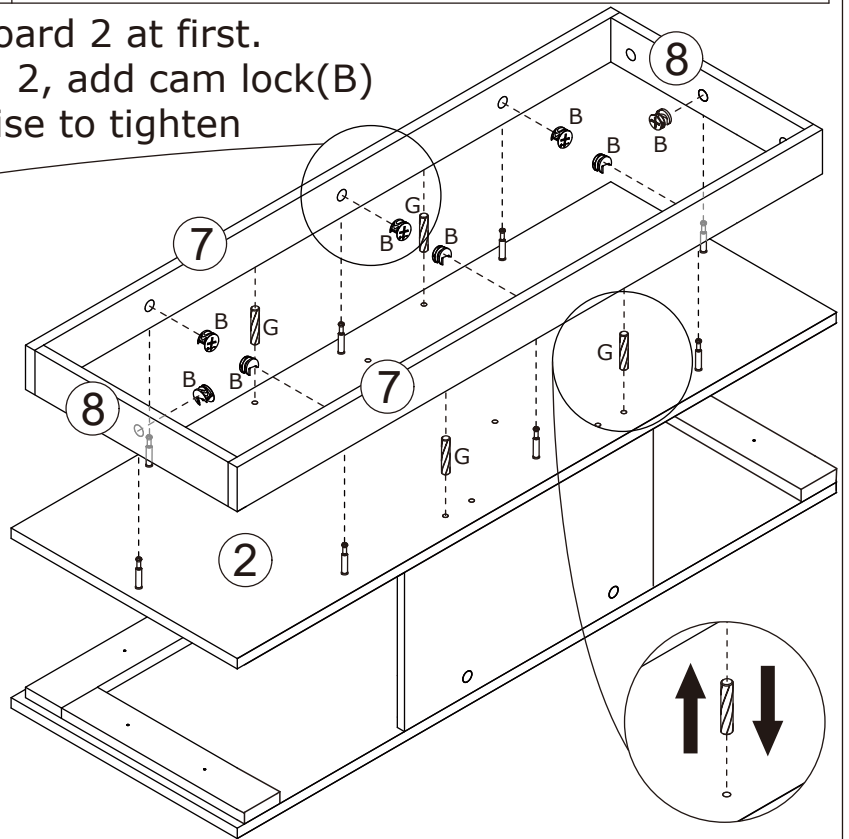
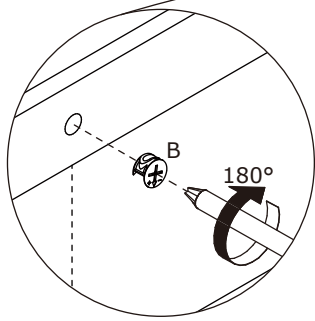


Connect board 7 and 8 together, add cam lock(B) into board 8 and turn clockwise to tighten as shown.

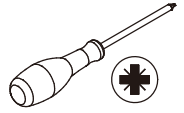
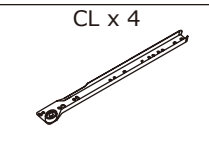
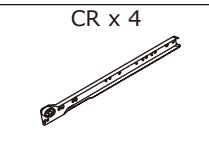
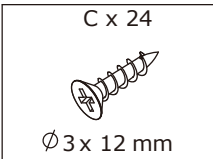
6



Insert wooden dowel(D) into board 2 at first.
 Attach the component to board 2, add cam lock(B)
 into board 7,8 and turn clockwise to tighten
 as shown.

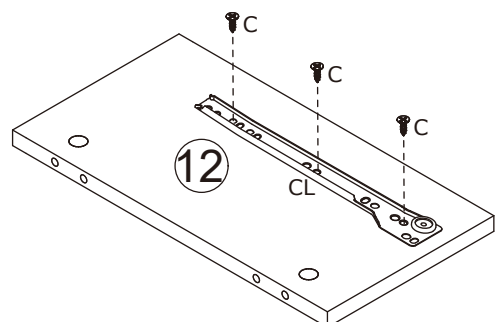
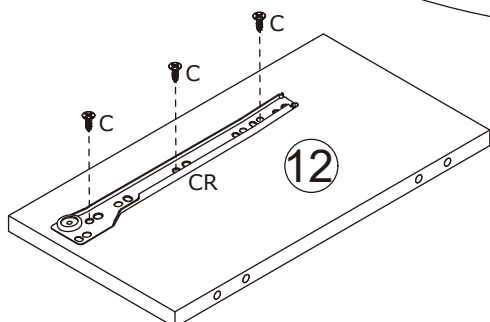
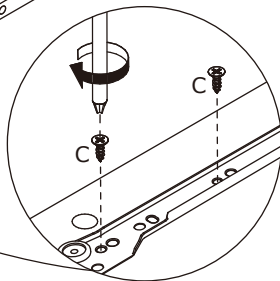
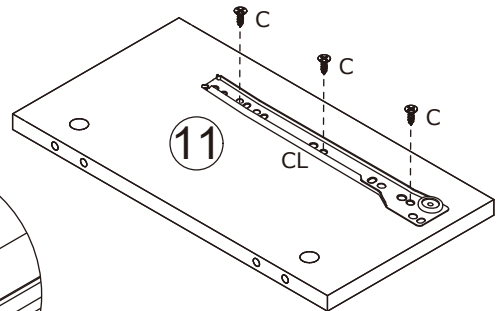
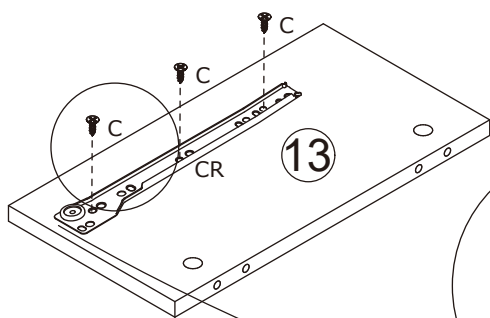


7

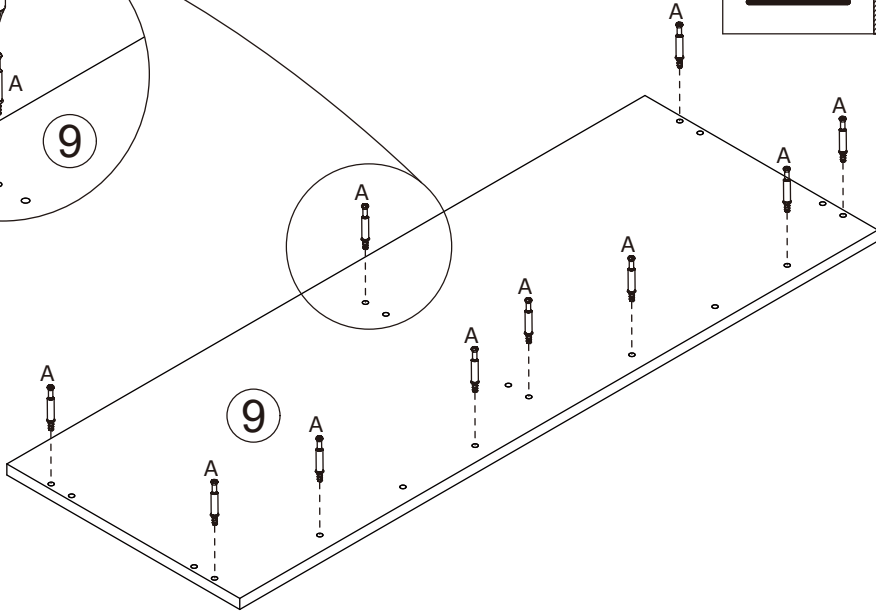
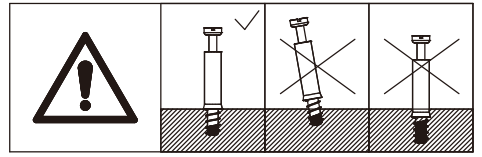
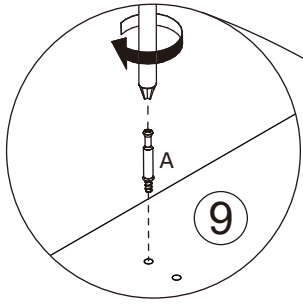
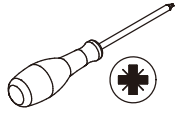
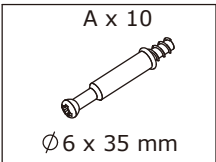


Fix slide rail(CL) and (CR) to board 11 and 13
 respectively with screw(C) as shown.
 Fix slide rail(CR) to board 12 with screw(C) at first.
 Flip the board 180°, then fix slide rail(CL) as shown.

x2

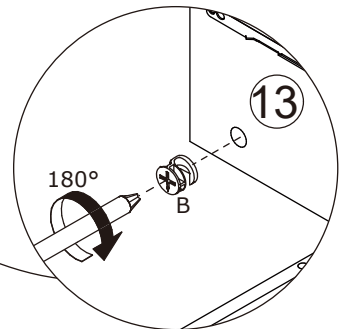
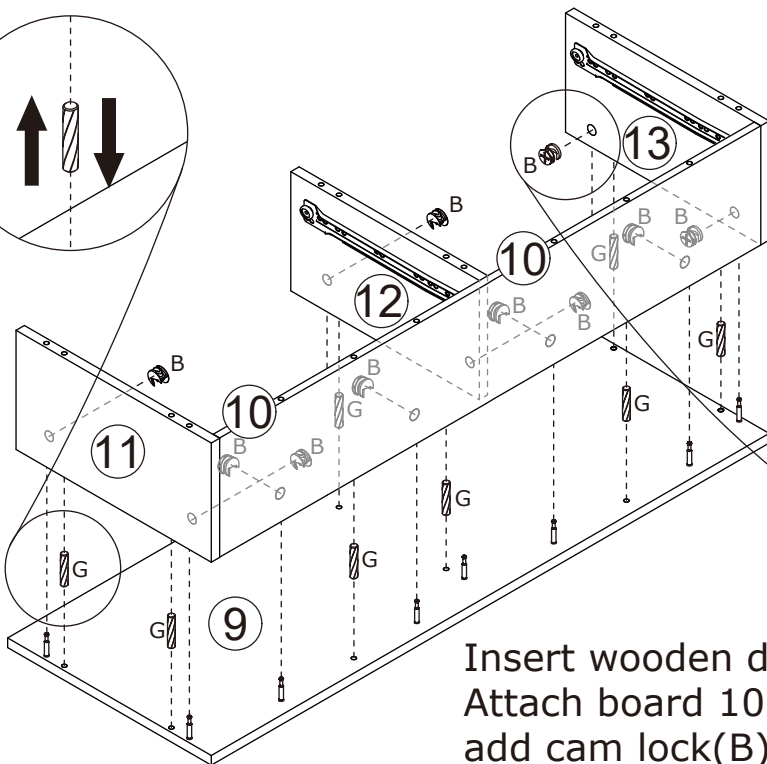
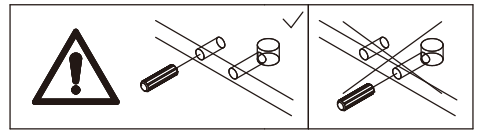
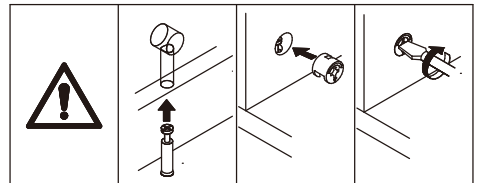
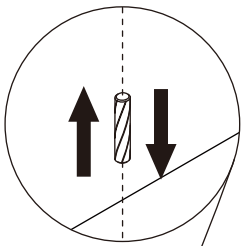
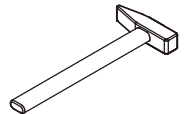
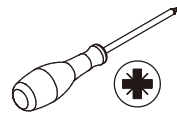
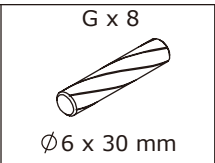
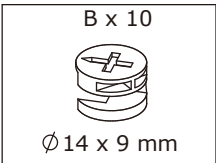


8



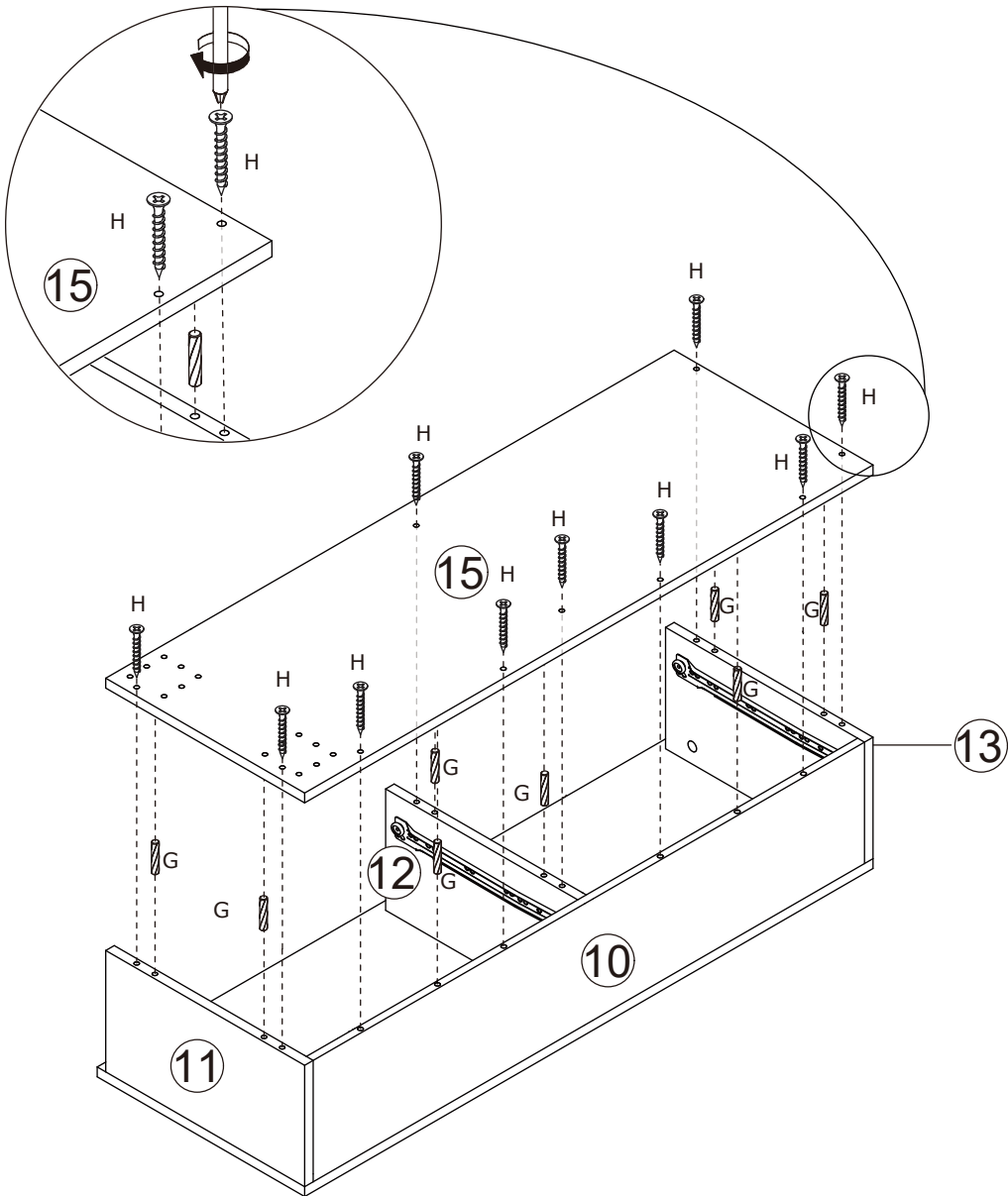
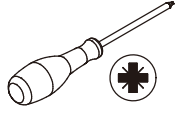
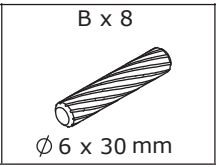
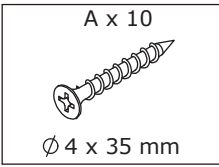
Screw eccentric rod(A) into board 9 with a screwdriver as shown.

9

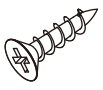


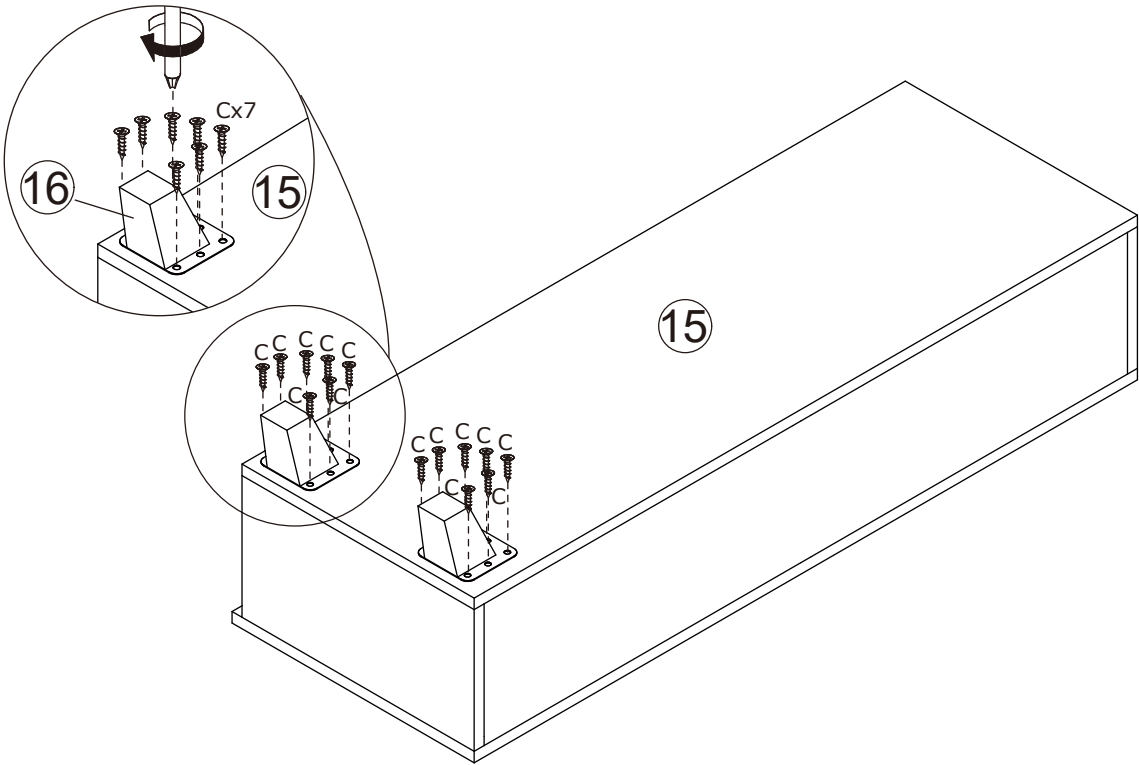
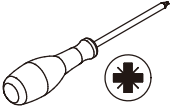
Insert wooden dowel(D) into board 9 at first. Attach board 10, 11, 12 and 13 to board 9, add cam lock(B) into board 10,11,12,13 and turn clockwise to tighten as shown.

10



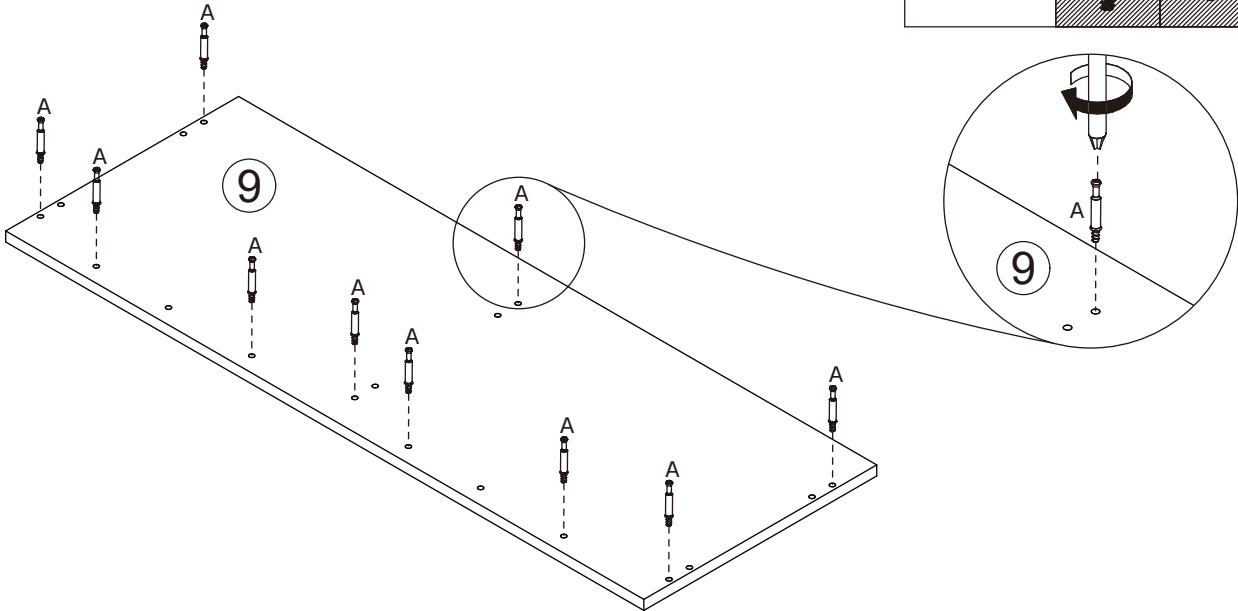
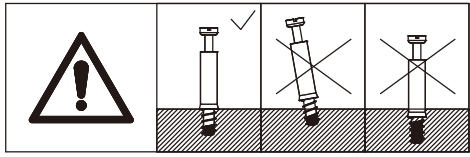
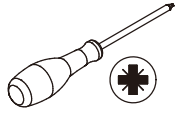
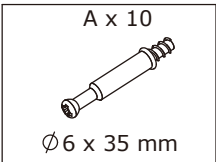
11

C x 14

Ø3 x 12 mm



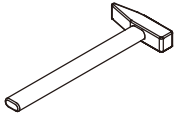
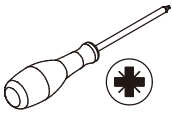
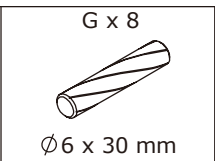
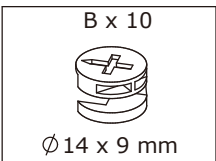
Fix leg 16 to board 15 with screw(C) as shown.

12

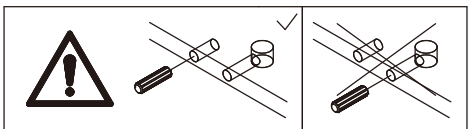
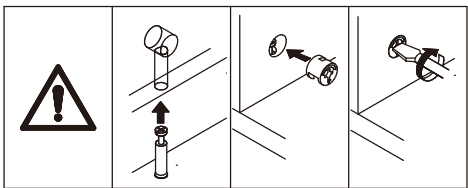
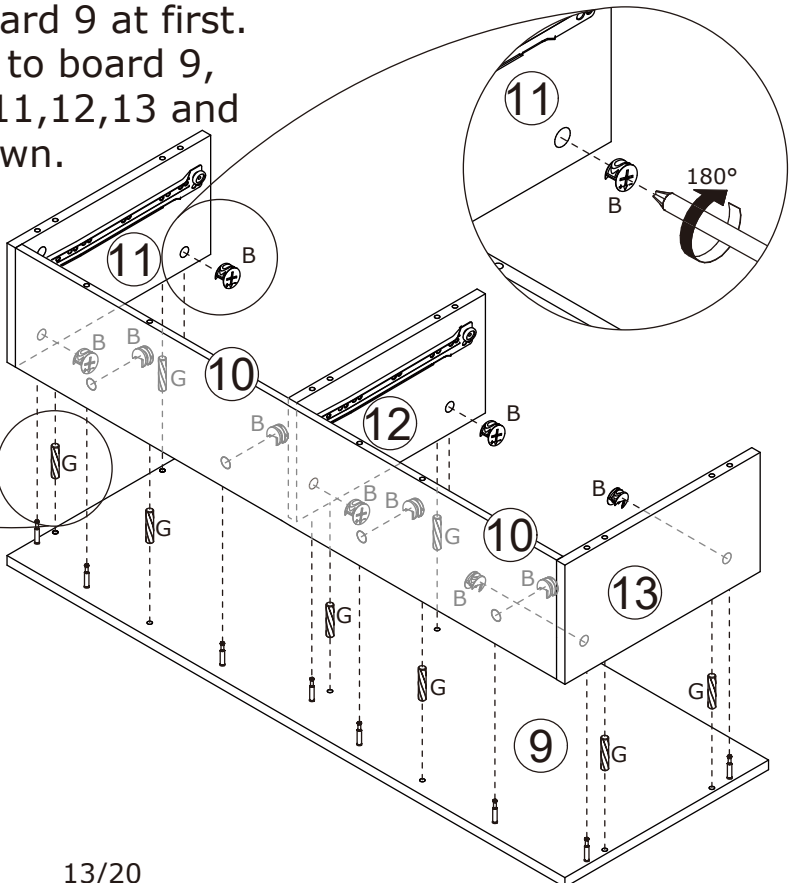
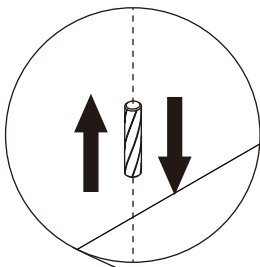


Screw eccentric rod(A) into board 9 with a screwdriver as shown.

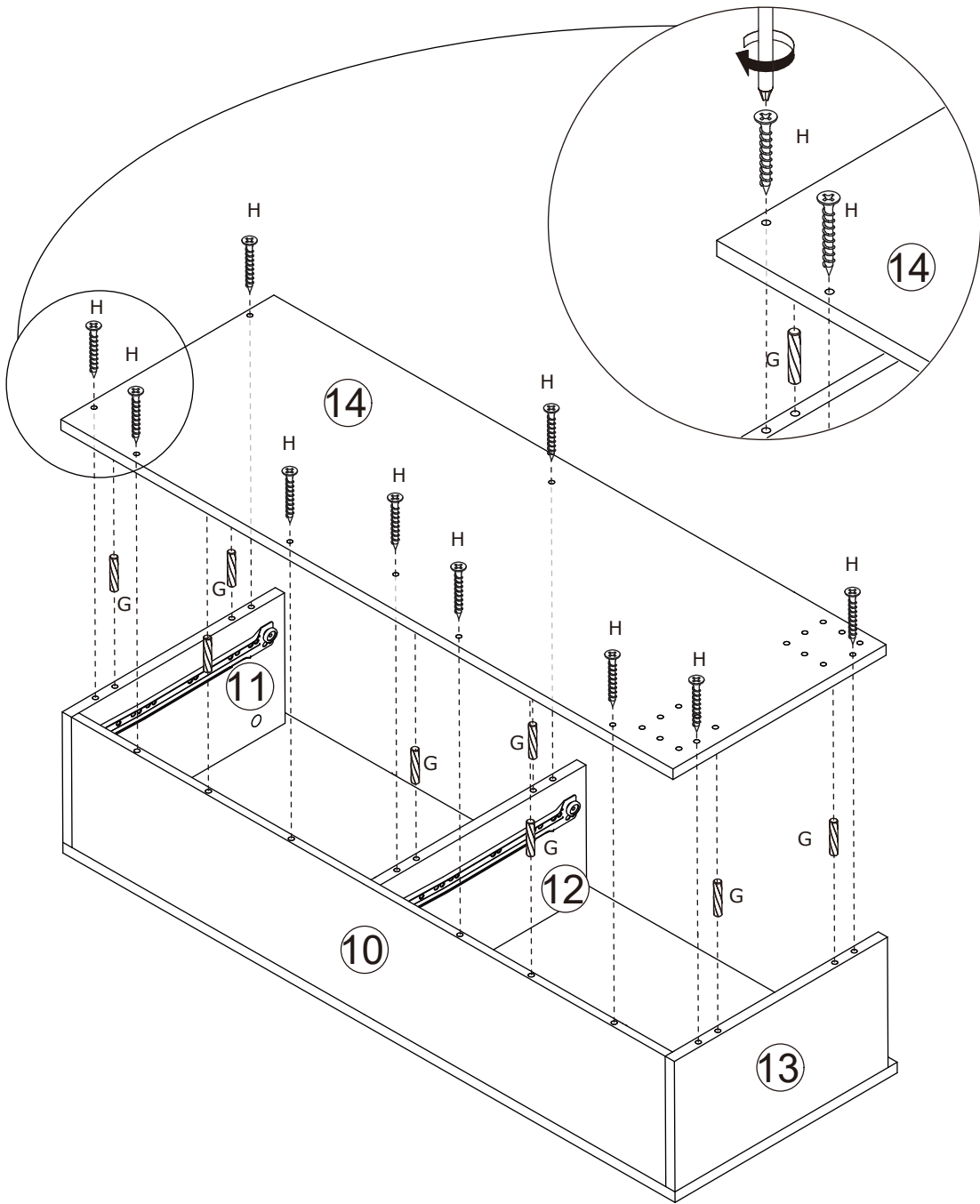
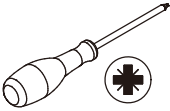
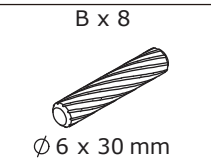
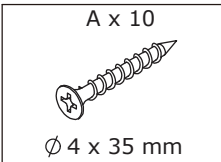
13



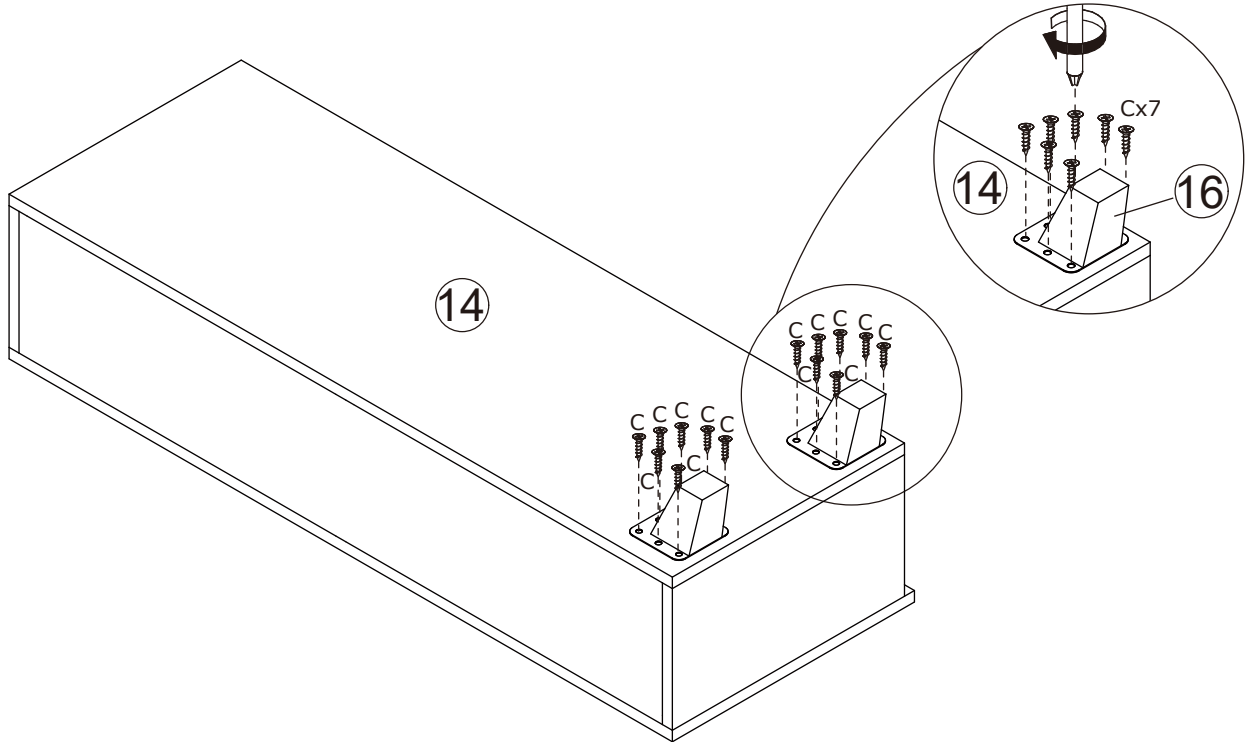
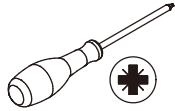
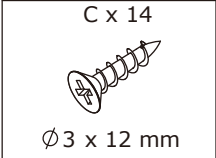
Insert wooden dowel(D) into board 9 at first. Attach board 10, 11, 12 and 13 to board 9, add cam lock(B) into board 10,11,12,13 and turn clockwise to tighten as shown.



14

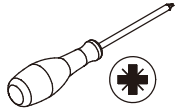
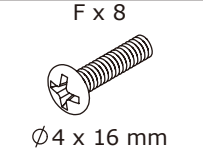
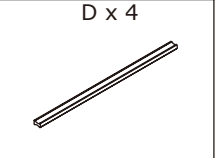


15

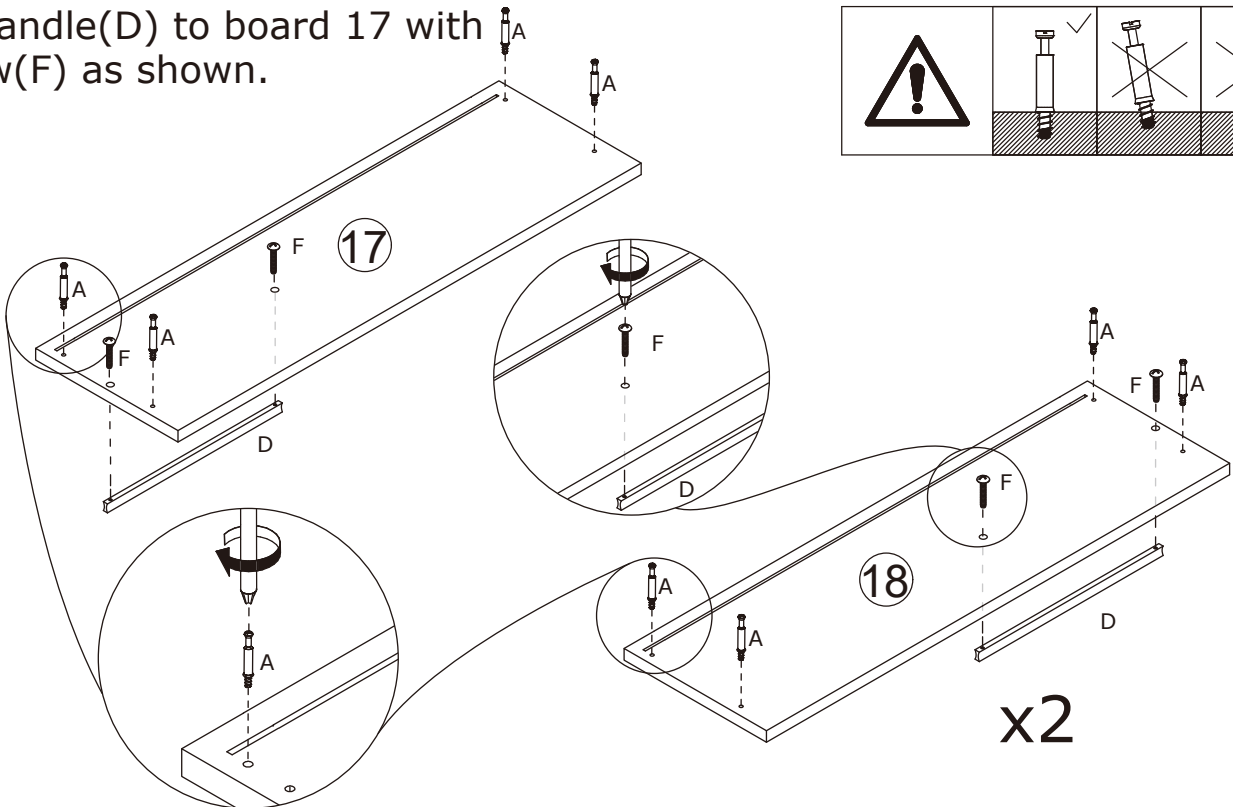
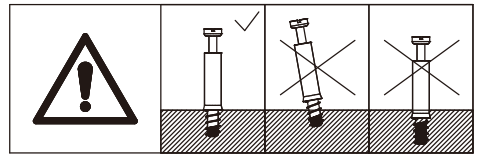


Fix leg 16 to board 14 with screw(C) as shown.

16

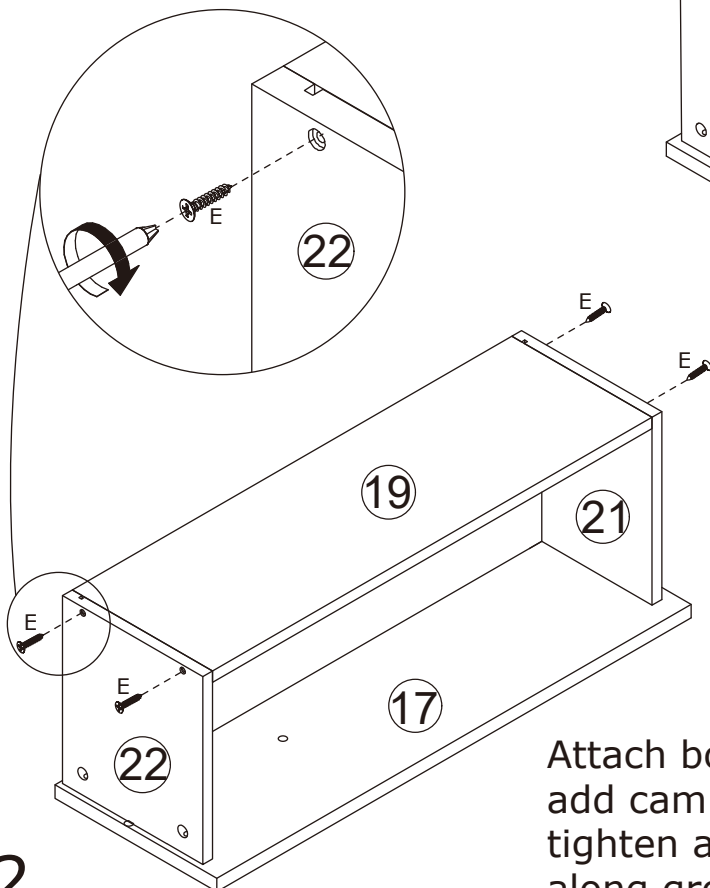
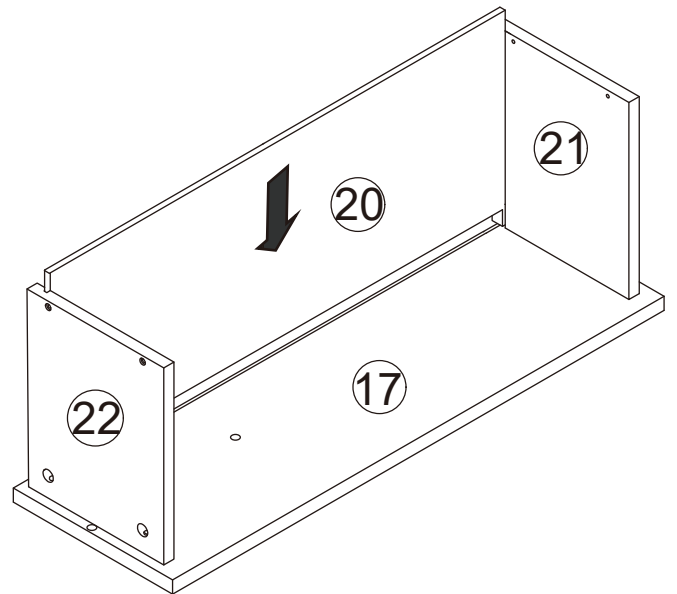
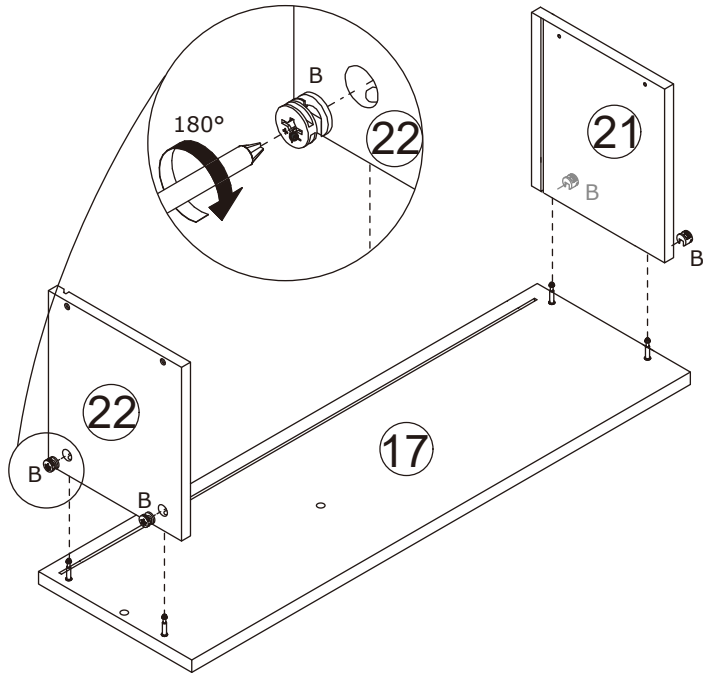
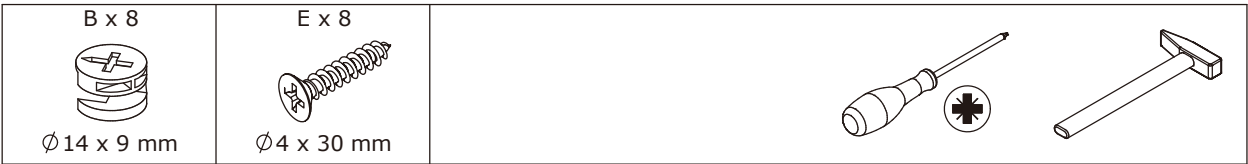


Fix handle(D) to board 17 with screw(F) as shown.



Screw eccentric rod(A) into board 17 and 18 with a screwdriver as shown.

17



x2

Attach board 21 and 22 to board 17, add cam lock(B) and turn clockwise to tighten as shown. Insert bottom board 20 along grooves. Fix board 19 to board 21 and 22 with screw(E) as shown.

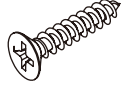
18

B x 8

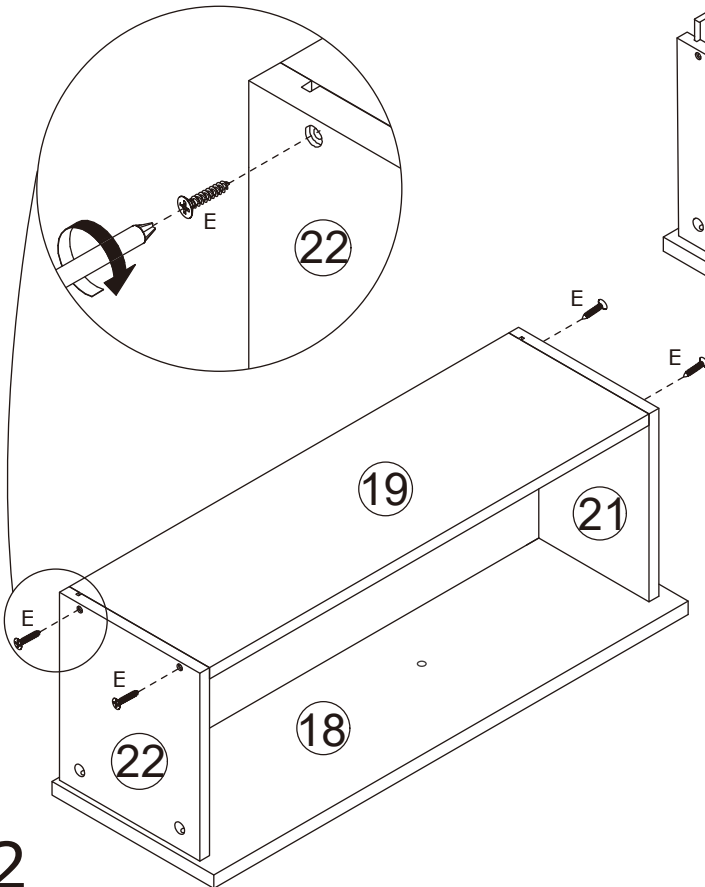
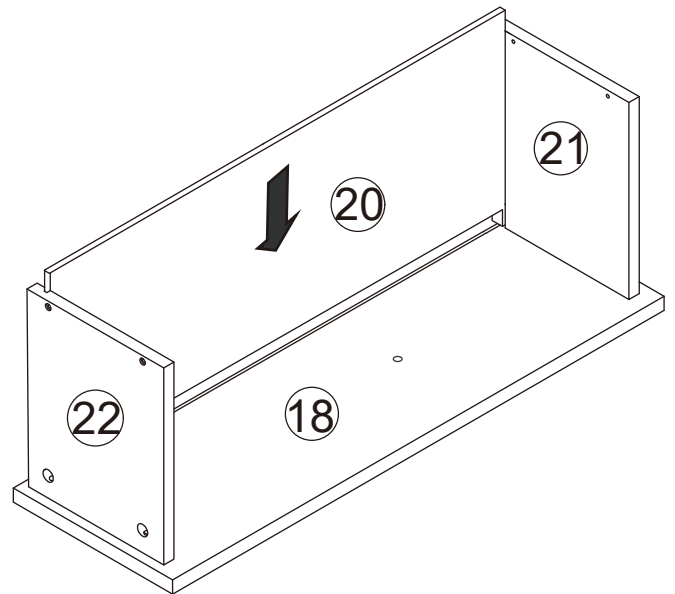
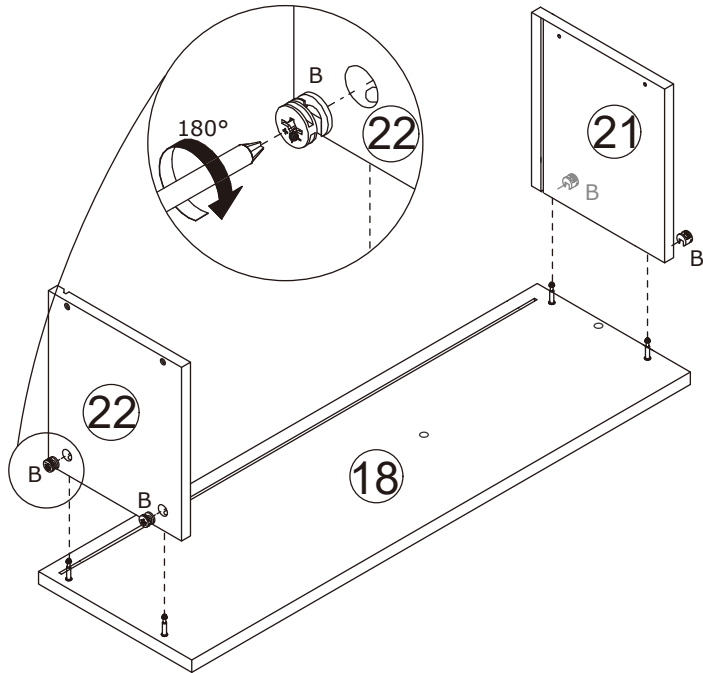
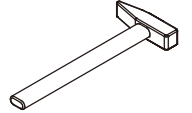
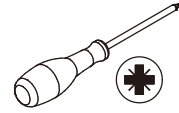


Ø 14 x 9 mm

E x 8



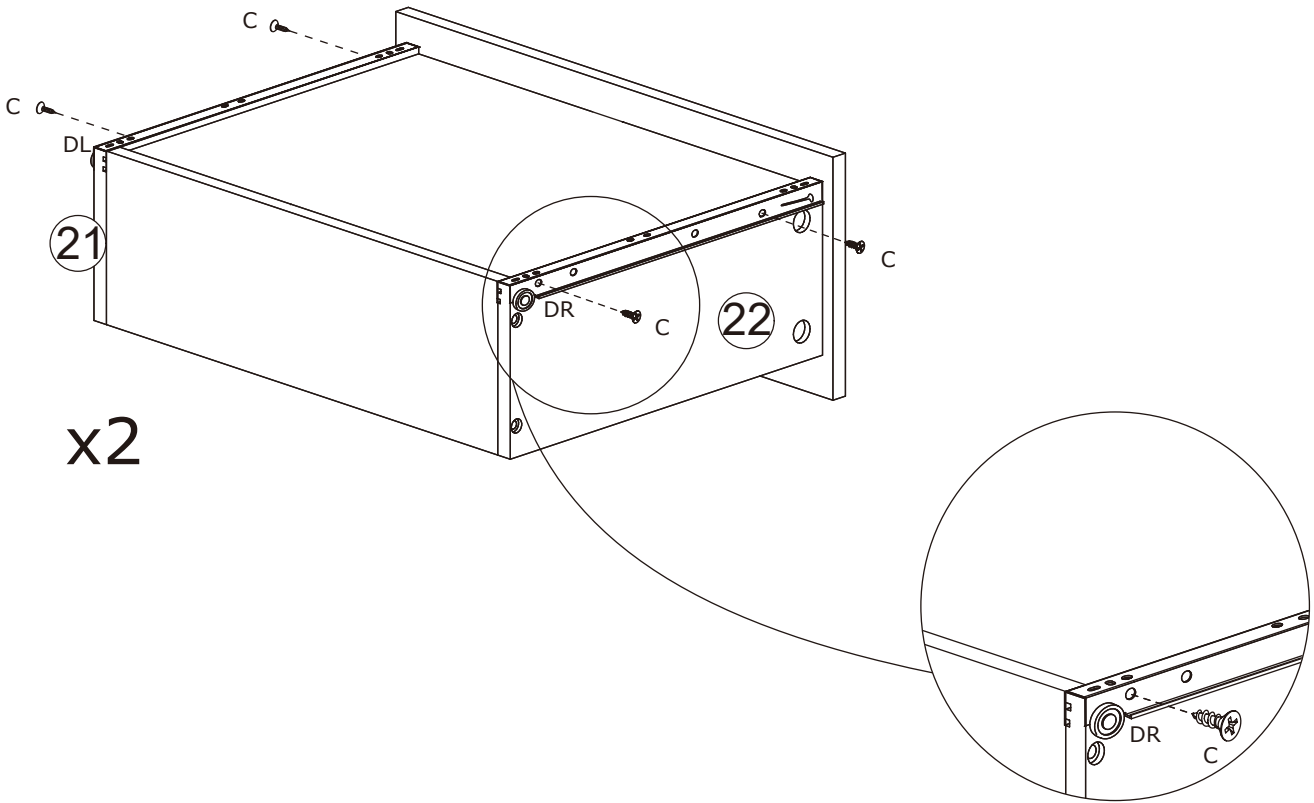
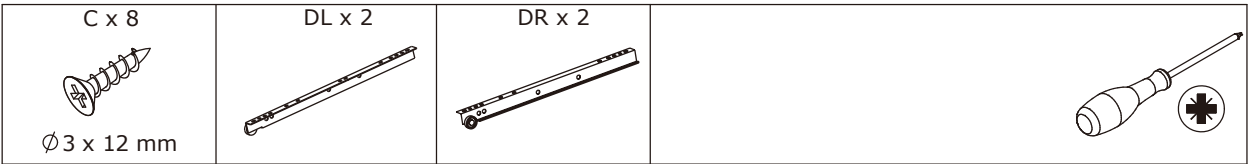
Ø 4 x 30 mm



x2

Attach board 21 and 22 to board 18, add cam lock(B) and turn clockwise to tighten as shown. Insert bottom board 20 along grooves. Fix board 19 to board 21 and 22 with screw(E) as shown.

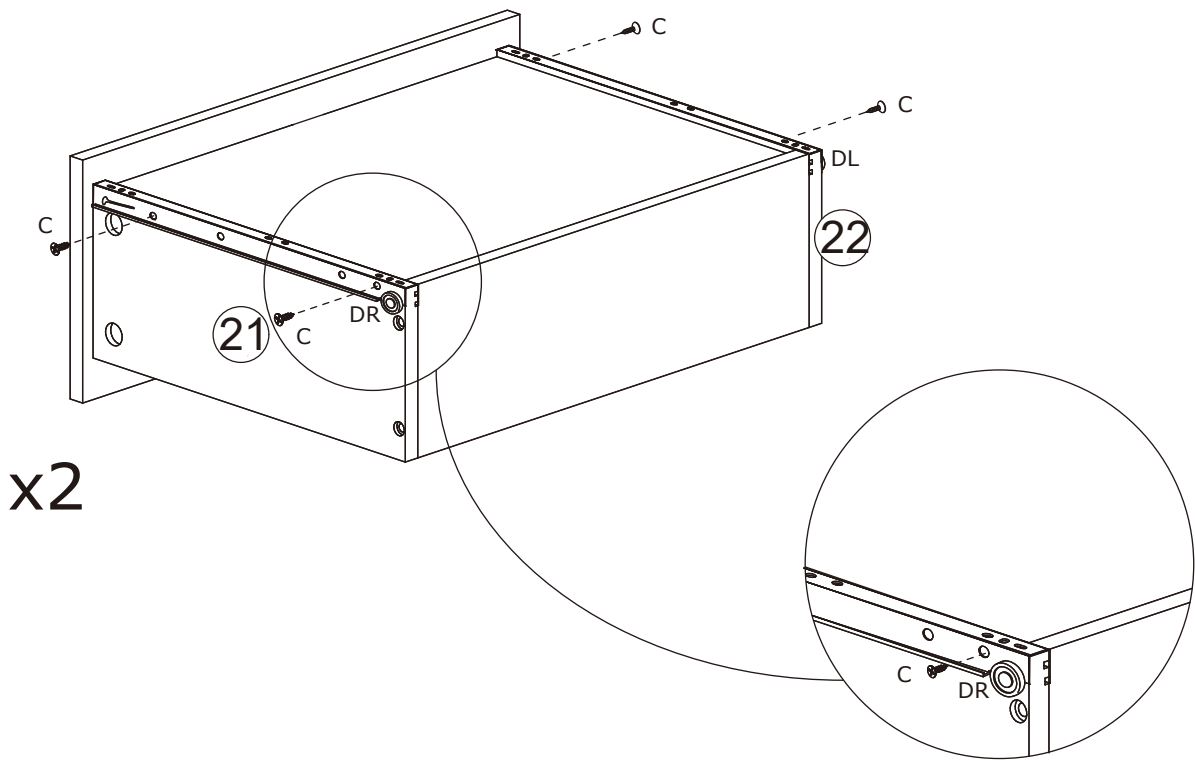
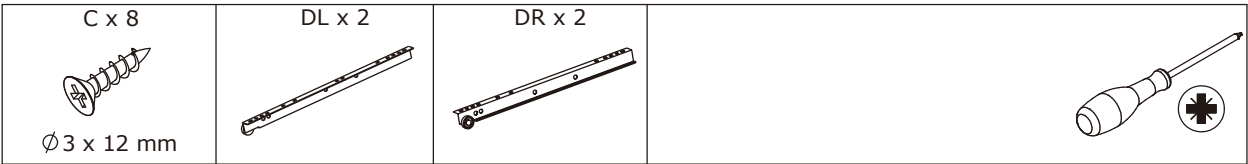
19



x2

Fix runner(DL) and (DR) to board 21 and 22 with screw(C) as shown.

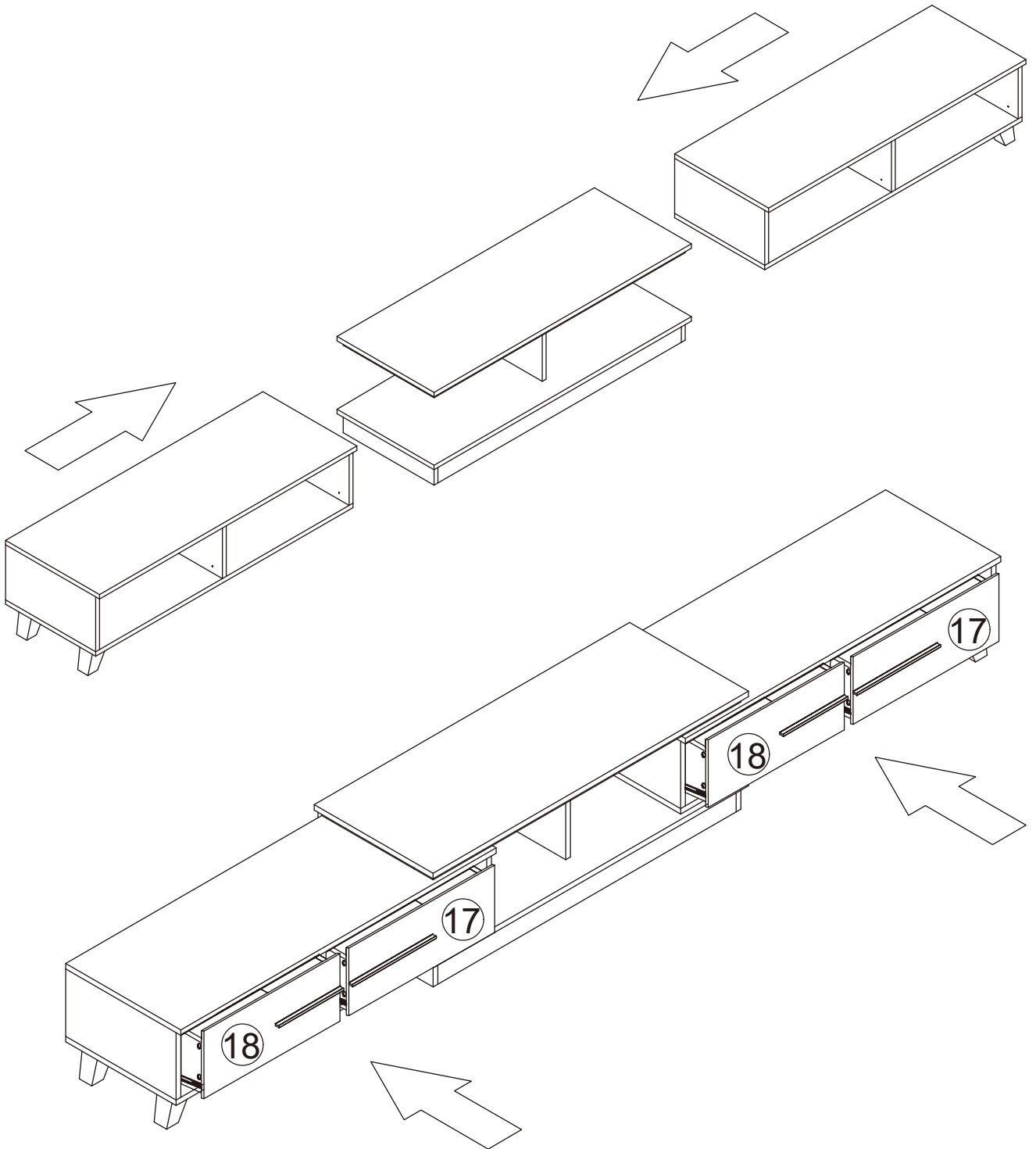
20



Fix runner(DL) and (DR) to board 22 and 21 with screw(C) as shown.

21

Assemble together.



WARRANTY

WARRANTY CLAIMS

- There is a 30-day warranty for broken furniture or any other problems that do not work properly. The warranty will start from the date of purchase which must be verified by proof of purchase.
- Before making a claim, we may be able to answer your query, simply call us. Please leave your purchase order number, along with some details of the problem, if you want a replacement part. We will arrange within 48 hours. If there is out of stock, we will reply with a shipping date.
- The product must be used in accordance with the instructions provided. For health reasons.
- For other reasons, if the furniture needs to be returned, it must be cleaned and dried and operated within 30 days of receipt.

Type of Warranty Claim

- Failure to follow the furniture instructions will invalidate the warranty. Attention please.
- Does not include damage during installation, but includes damage during transportation.

Scope of responsibility

- Shall not bear any responsibility for misuse or user damage and / or loss of parts during the installation of furniture.
- After using, the damage and scratches of the furniture are not covered by the warranty.

The Warranty Relates to All Bought in The Us and Covers The Following Areas

- Sheet parts: 1 month from the date of purchase.
- Electrical parts: 1 month from the date of purchase.