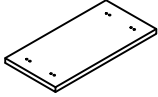
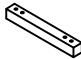
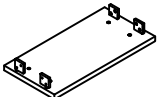
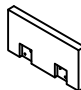


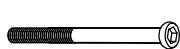

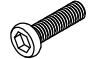
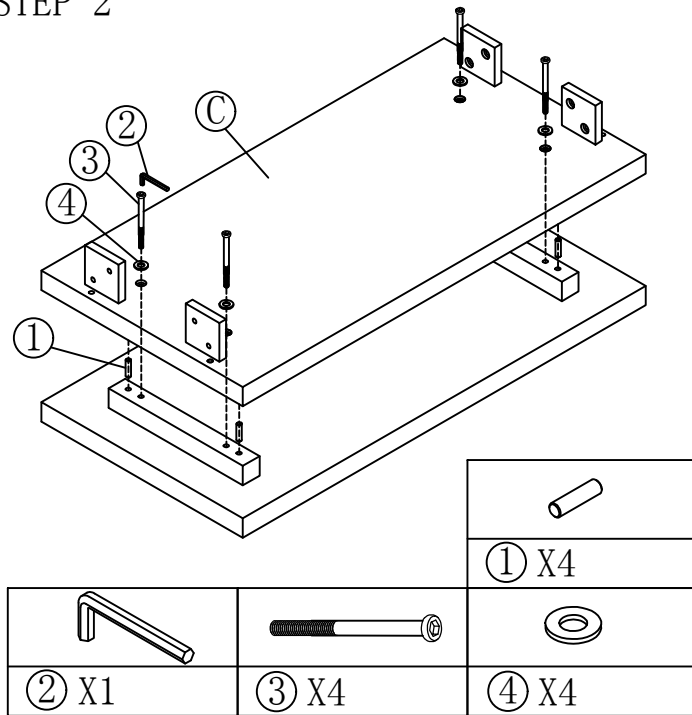


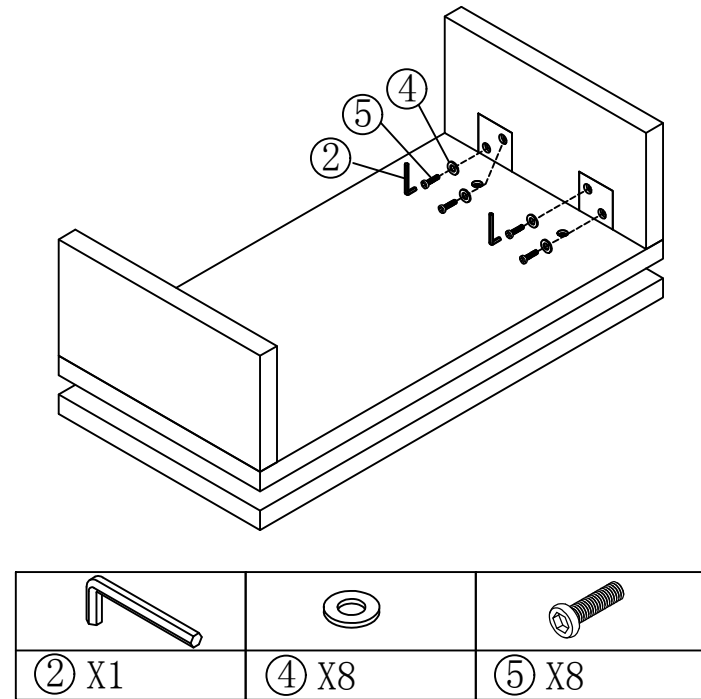
# Part List

 Ⓐ X1	 Ⓑ X2	 Ⓒ X1
 Ⓓ X2	 ① X12	 ② X1
 ③ X4	 ④ X12	 ⑤ X8

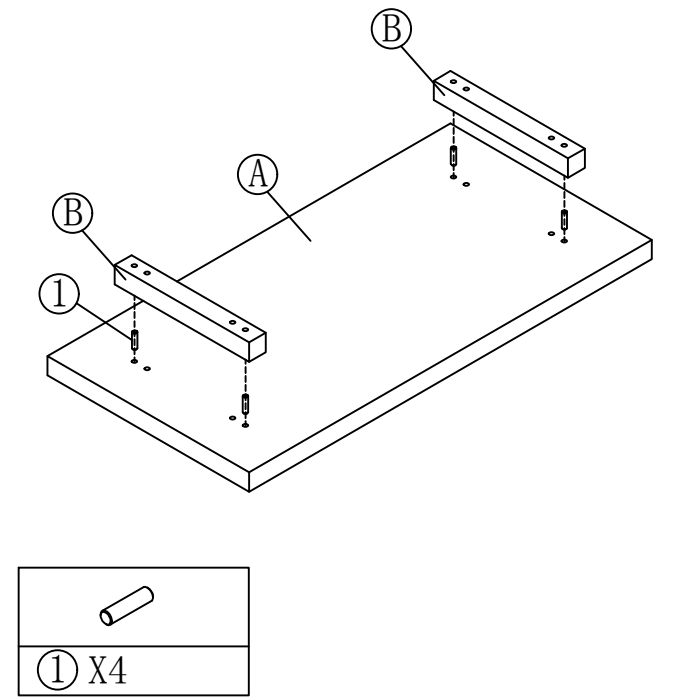
## STEP 2



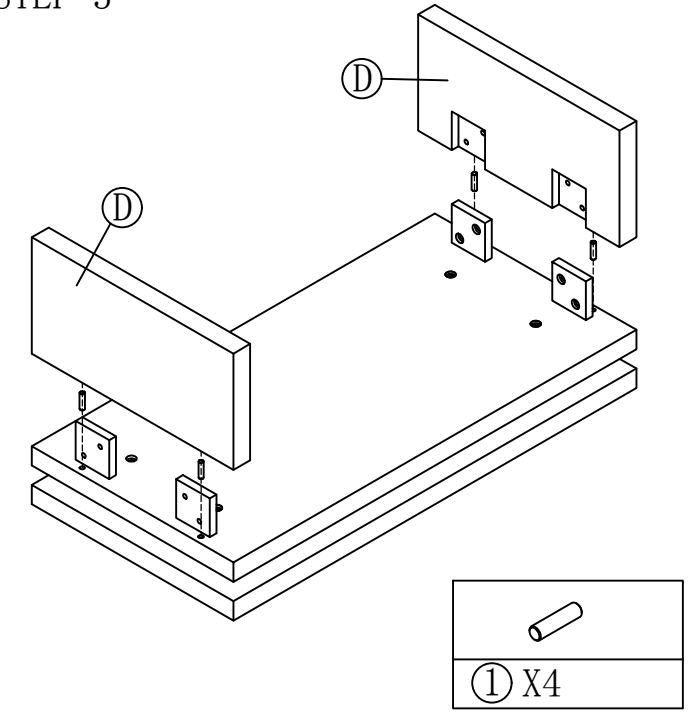
## STEP 4



## STEP 1



## STEP 3



# Assembly Instructions

