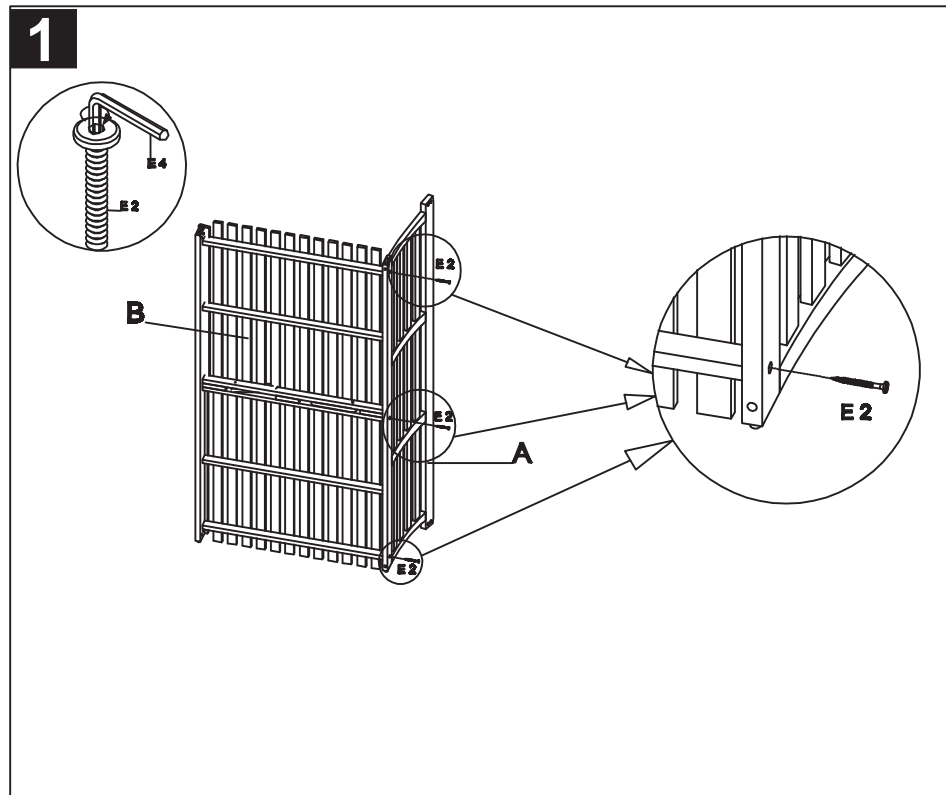
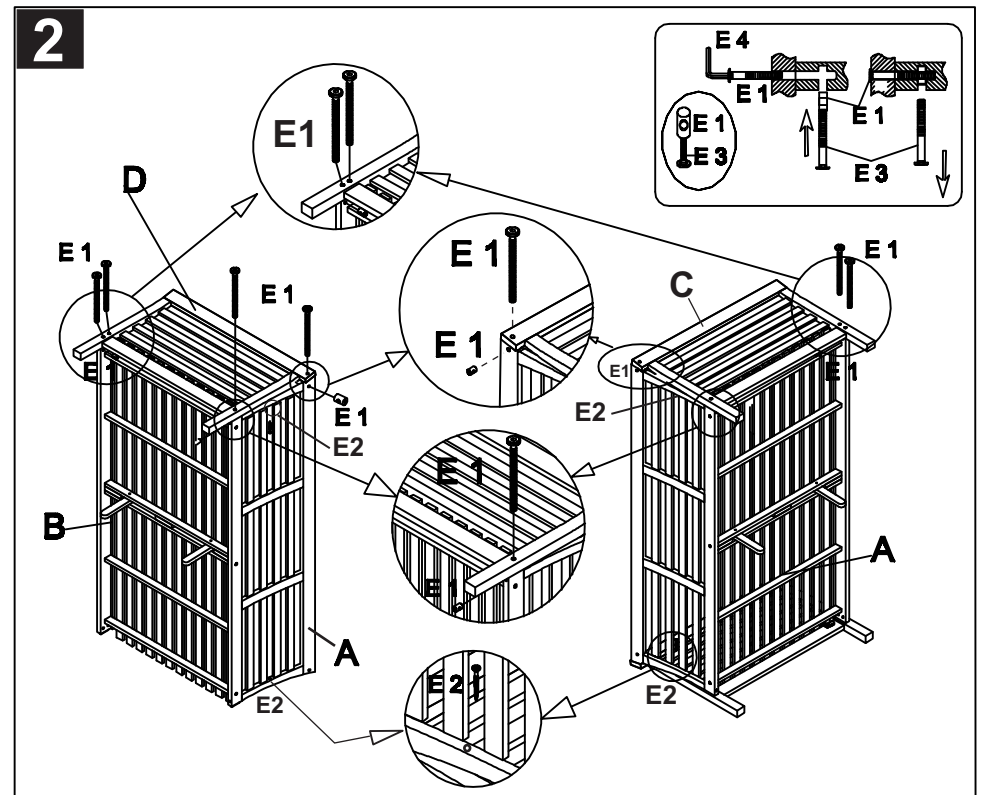


PREPARATION

Before beginning the assembly of the product, make sure all parts are present. Compare the parts with the package contents list and hardware contents list. If any parts are missing or damaged, do not attempt to assemble the product. Tool required for assembly (included): Allen Key.



Step 1: attach the seat (B) to the back (A) by using the Allen Screw (E2) and tighten with the Allen Key (E4).



Step 2: attach the left side (D) to the seat and back as shown on the picture. Then fit by Allen Bolt (E1) and Allen Screw (E2) by using the Allen Key (E4). Repeat again with the right side (C). Tighten all bolts with the Allen Key (E4).



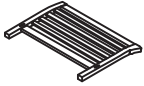





CARE AND MAINTENANCE

Store outdoor furniture indoors or cover well when it is not in use. Dust regularly with small brush or vacuum. Spills should be taken care of immediately before they harden or stain with a slightly dampened sponge.

NOTICE

Please make sure that you have all parts indicated before you begin assembly of this item.

Part List and Hardware List

PIECE	DESCRIPTION	PICTURE	QUANTITY
A	Back		1x
B	Seat		1x
C	Right side		1x
D	Left side		1x
E 1	Allen Bolt	 M6 x 70	8x
E 2	Allen Screw	 M6 x 60	5x
E 3	Extra Bolt	 M6 x 50	1x
E 4	Allen Key		1x

Product Dimension: 38.98"W x 72.83"D x 26.77"H

Weight capacity : 600 lbs.

Warning : Do not stand on the bench

Warning : Do not torque bolts / screws

