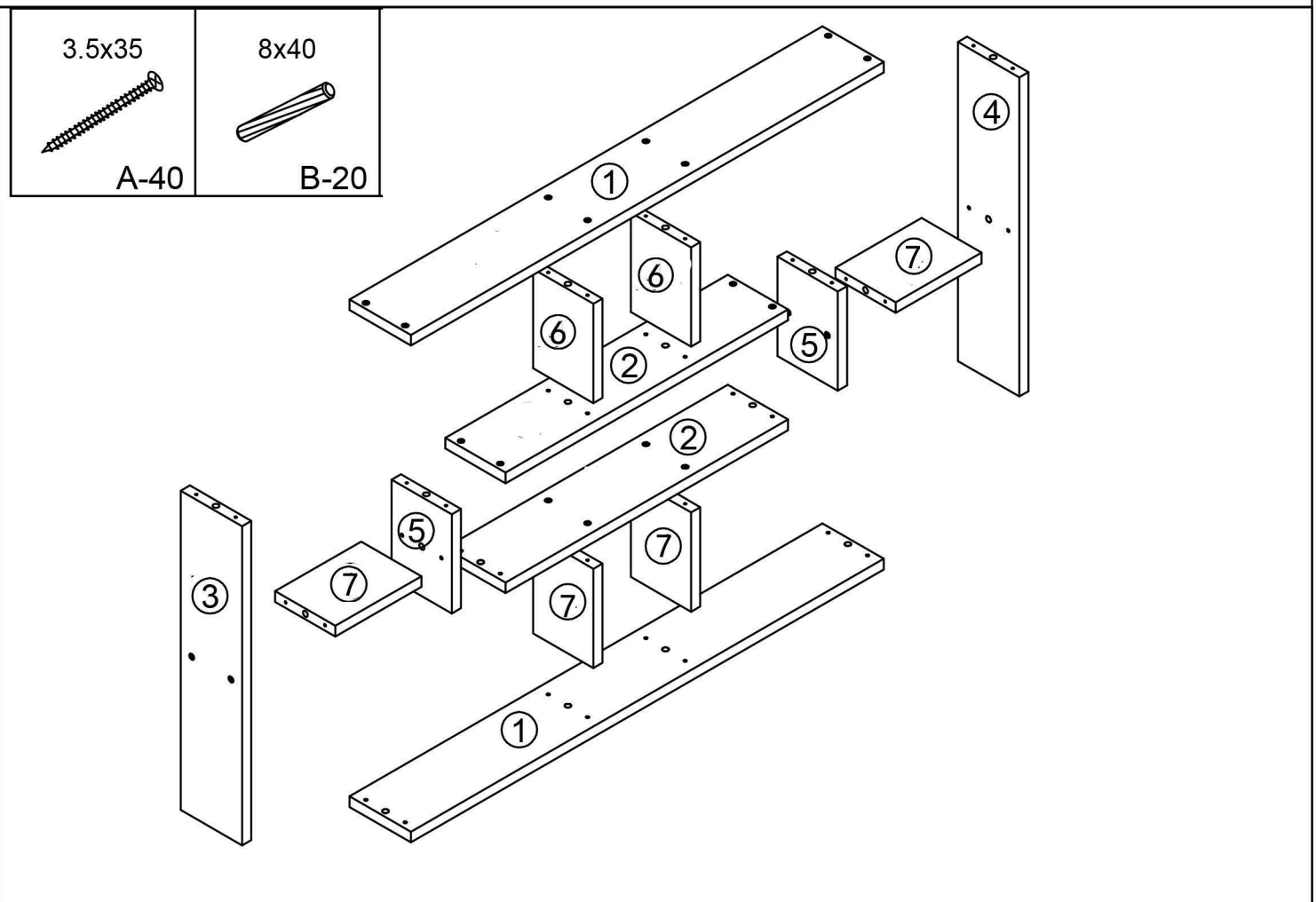
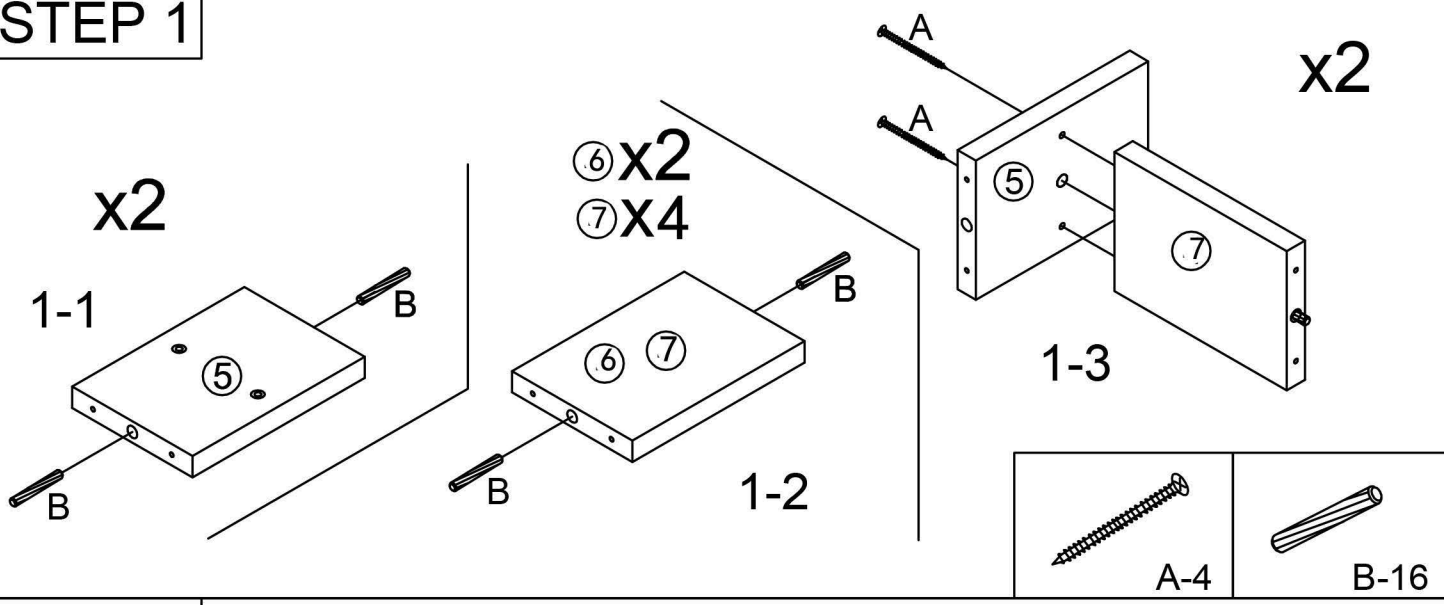


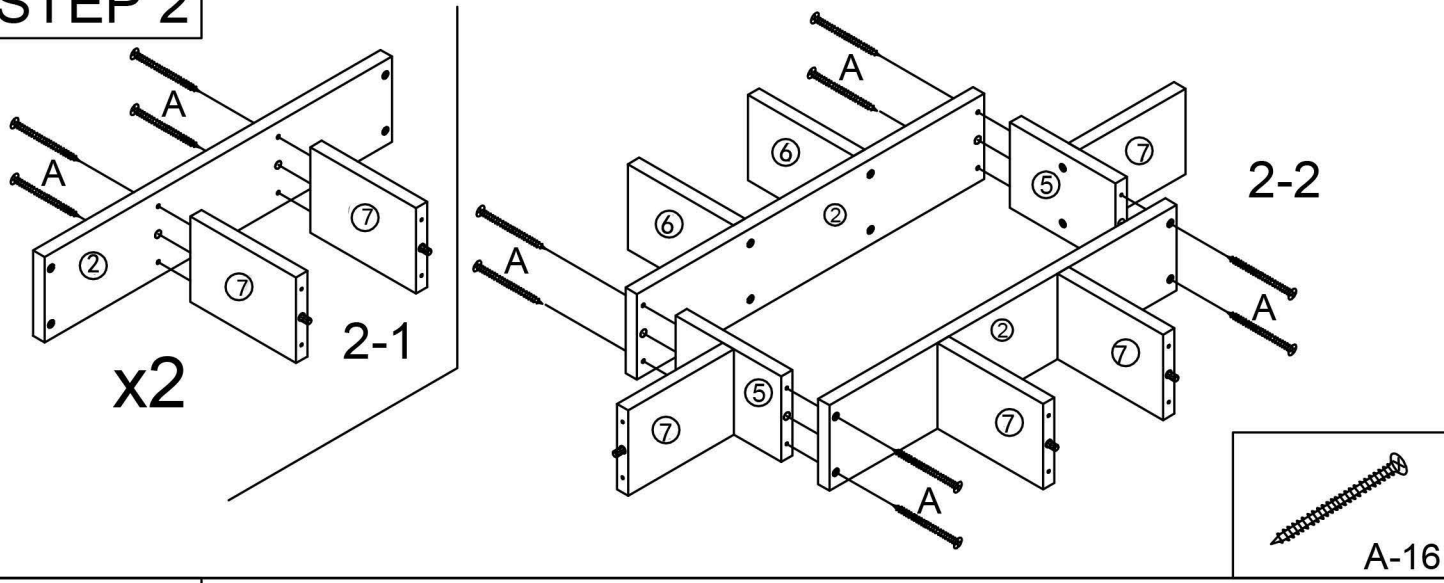
<p>760x90x15</p> <p>①-2</p>	<p>450x90x15</p> <p>②-2</p>	<p>450x90x15</p> <p>③-1</p>	<p>450x90x15</p> <p>④-1</p>	<p>140x90x15</p> <p>⑤-2</p>		
<p>140x90x15</p> <p>⑥-2</p>	<p>140x90x15</p> <p>⑦-4</p>	<p>3.5x14</p> <p>C-8</p>	<p>D-4</p>	<p>4x40</p> <p>E-4</p>	<p>F-4</p>	<p>G-40</p>



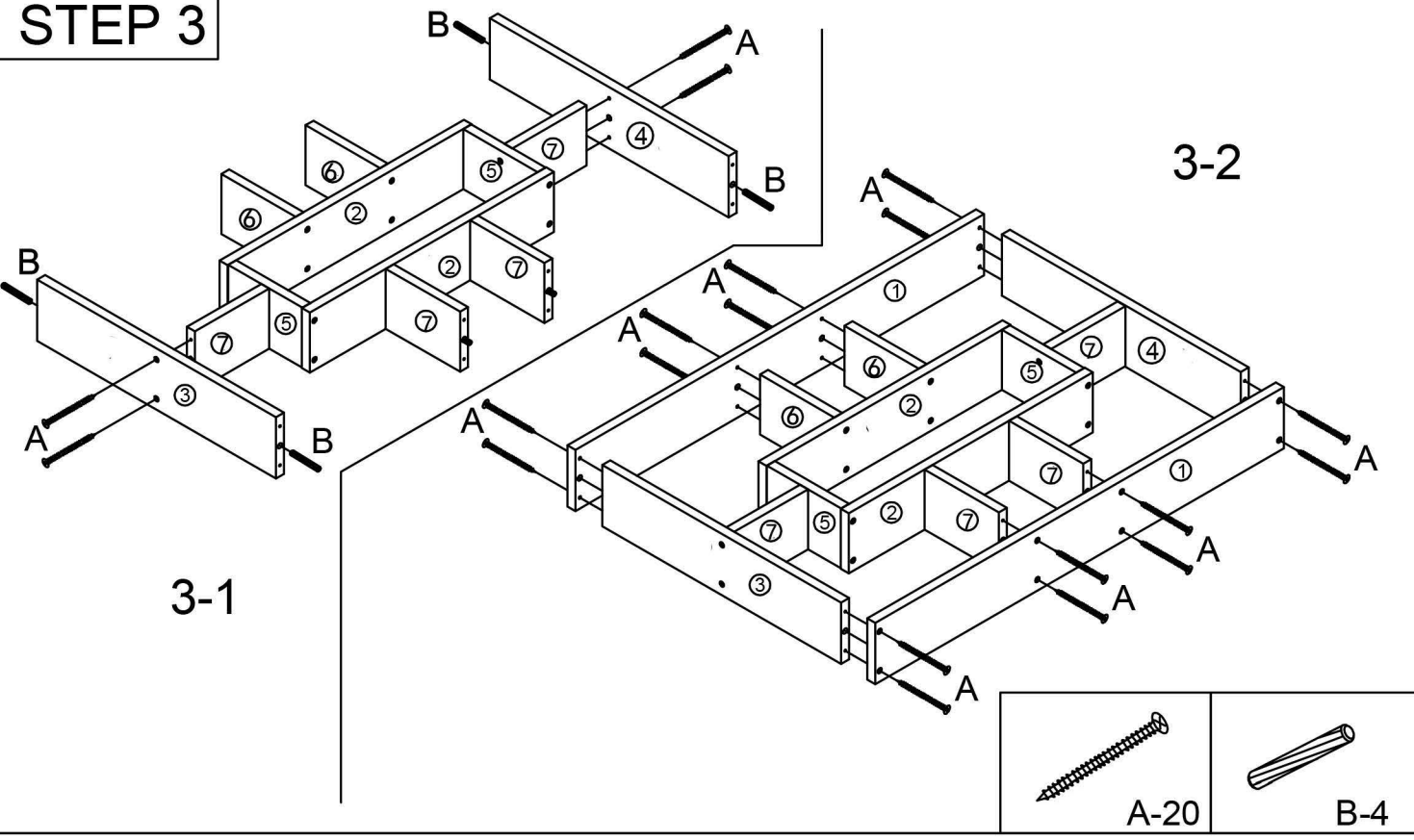
STEP 1



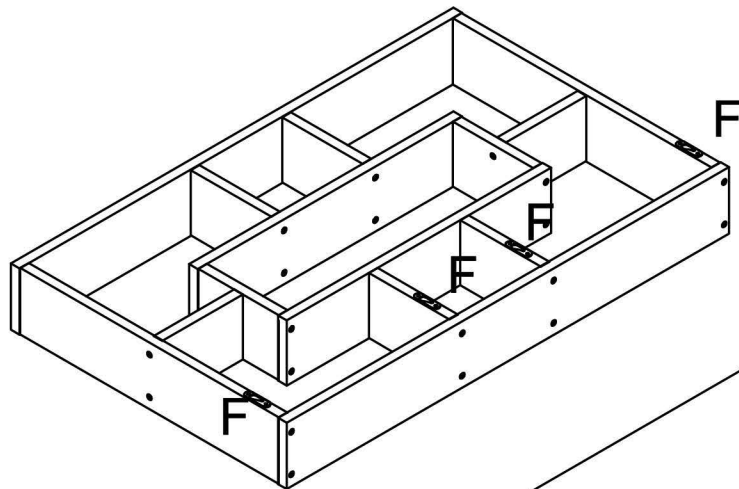
STEP 2



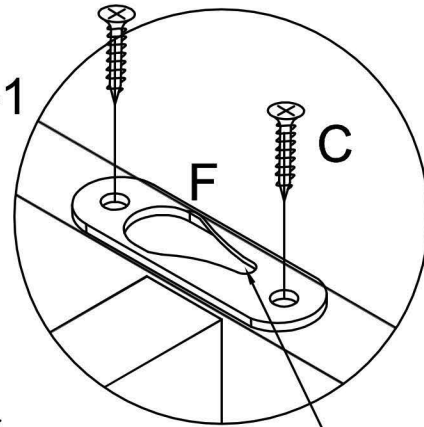
STEP 3



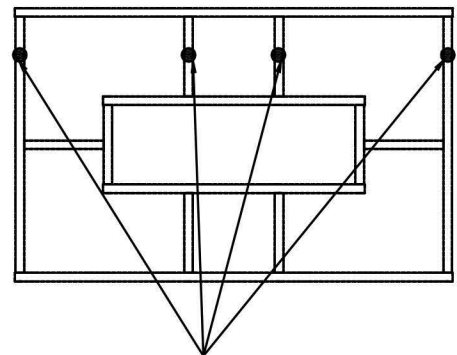
STEP 4



4-1

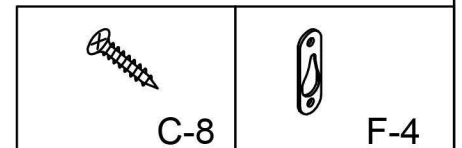


This side is up

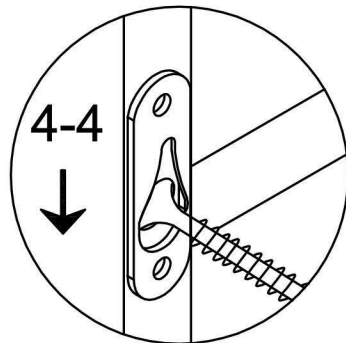
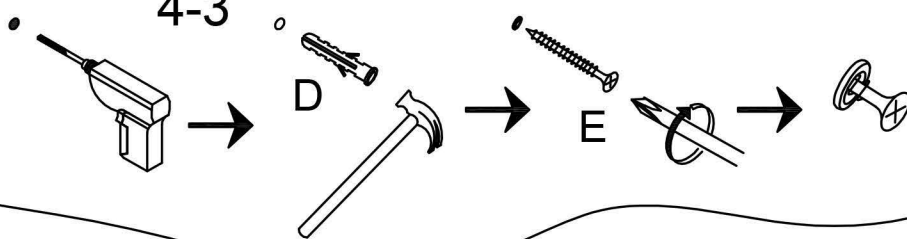


Keep these holes at the same level

4-2 According to the position of hardware F on the cabinet, Make corresponding marks on the wall



4-3



4-5

In order to make the product more beautiful, stick hardware G on the visible screw holes

