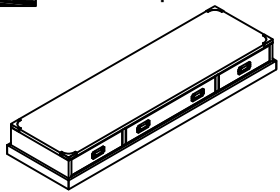
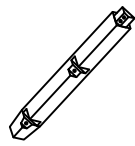
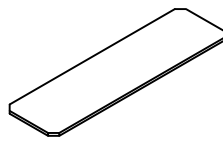

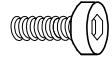




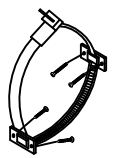
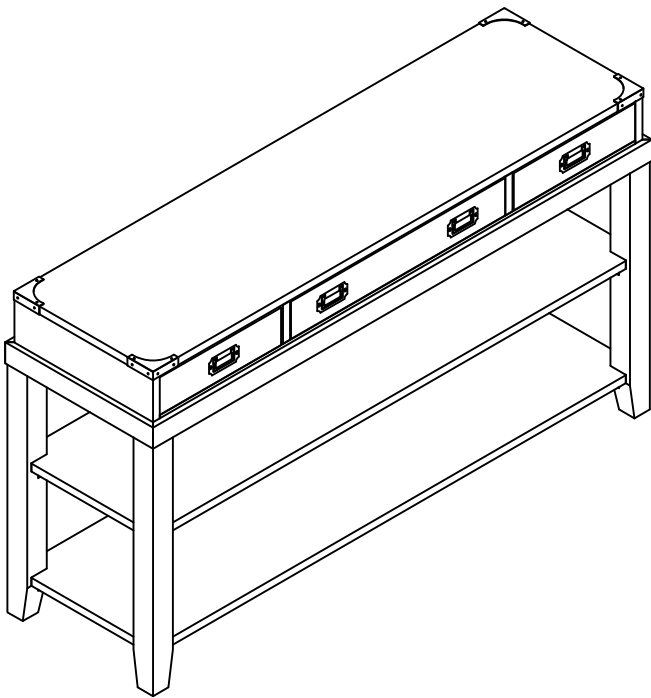


# ASSEMBLY INSTRUCTION

## SOFA TABLE TV STAND

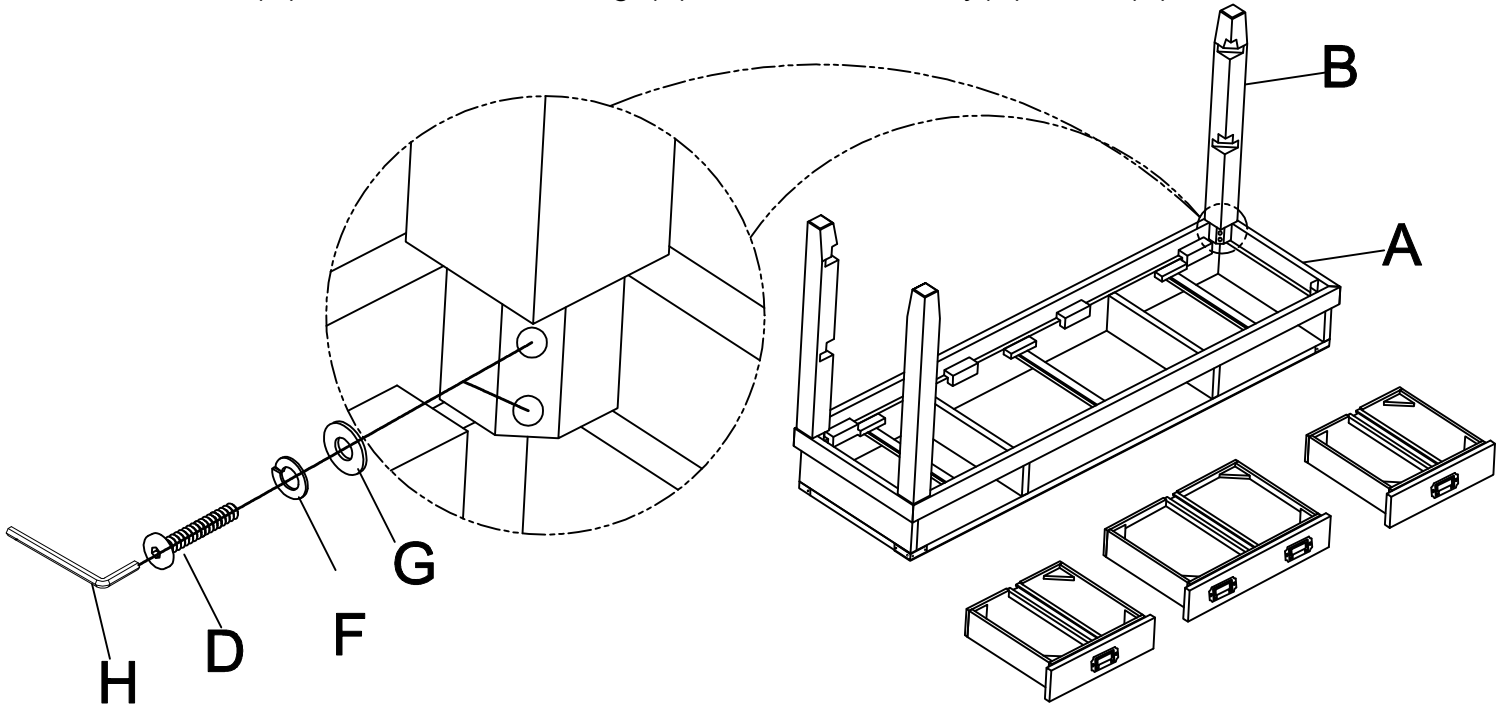
<b>A</b> Table Top  1 pc	<b>B</b> Leg  4 pcs	<b>C</b> Shelf  2 pcs	<b>D</b> Allen Bolt $\text{\O}1/4'' \times 45\text{mm}$  8 pcs	<b>E</b> Allen Bolt $\text{\O}1/4'' \times 15\text{mm}$  16 pcs
<b>F</b> Lock Washer $\text{\O}1/4'' \times 11\text{mm}$  24 pcs	<b>G</b> Flat Washer $\text{\O}1/4'' \times 16\text{ mm}$  24 pcs	<b>H</b> Allen Key 4 mm  1 pc	<b>I</b> Metal $33 \times 20 \times 18 \times 2\text{mm}$  8 pcs	<b>J</b> Anti-tipping HW  1 set



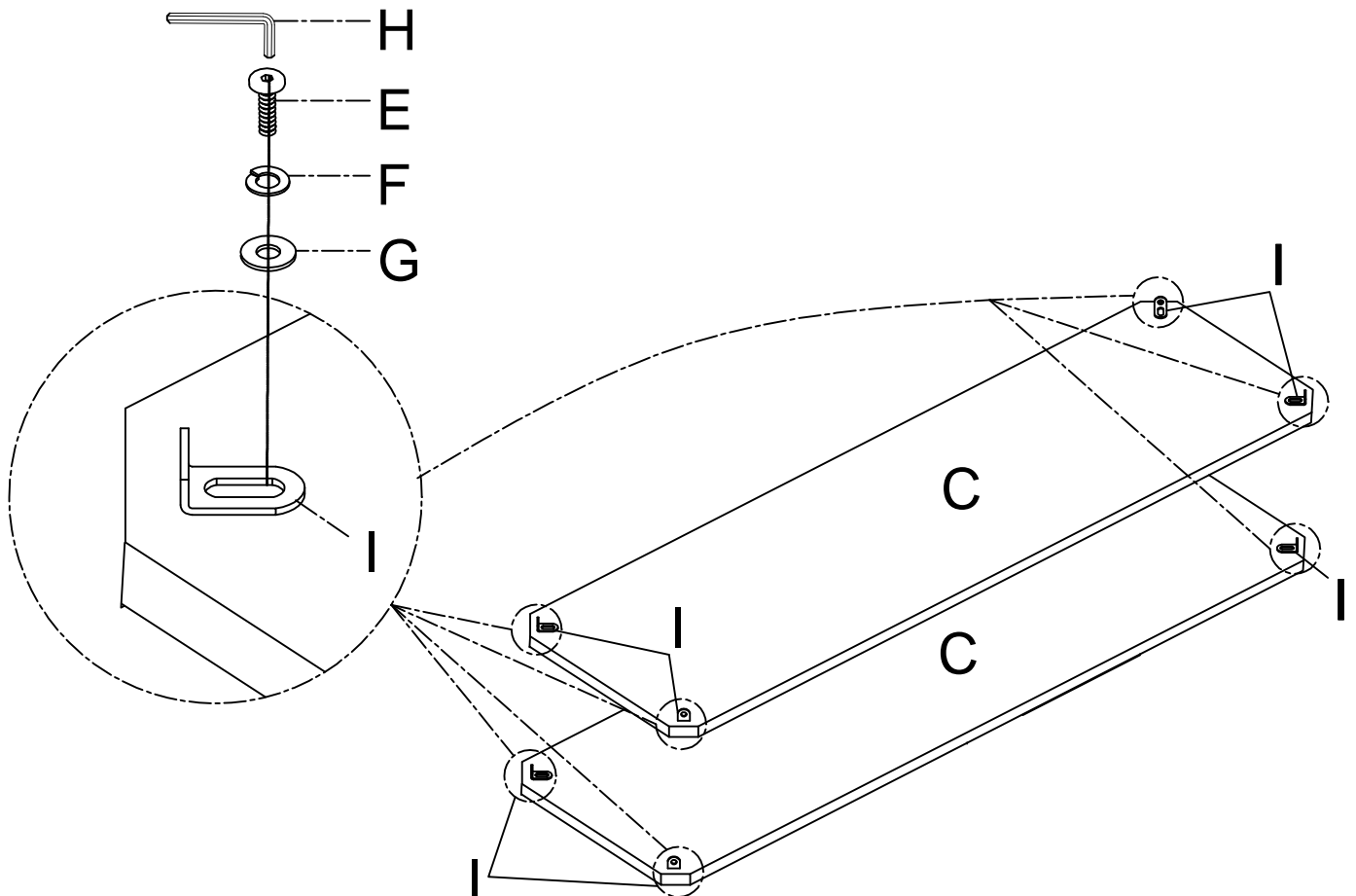
This page lists all the contents included in the box. Please take the time to identify the hardware as well as the individual components to this product. As you unpack and prepare for assembly, place the contents on a carpeted or padded area to protect them from damage.

**1**

Take out drawers, attached Three Legs(B) to the Table Top(A). Use Bolt(D) Lock Washer(F) and Flat Washer(G) on holes of Three Legs(B). Turn the Allen Key(H) in Bolt(D).

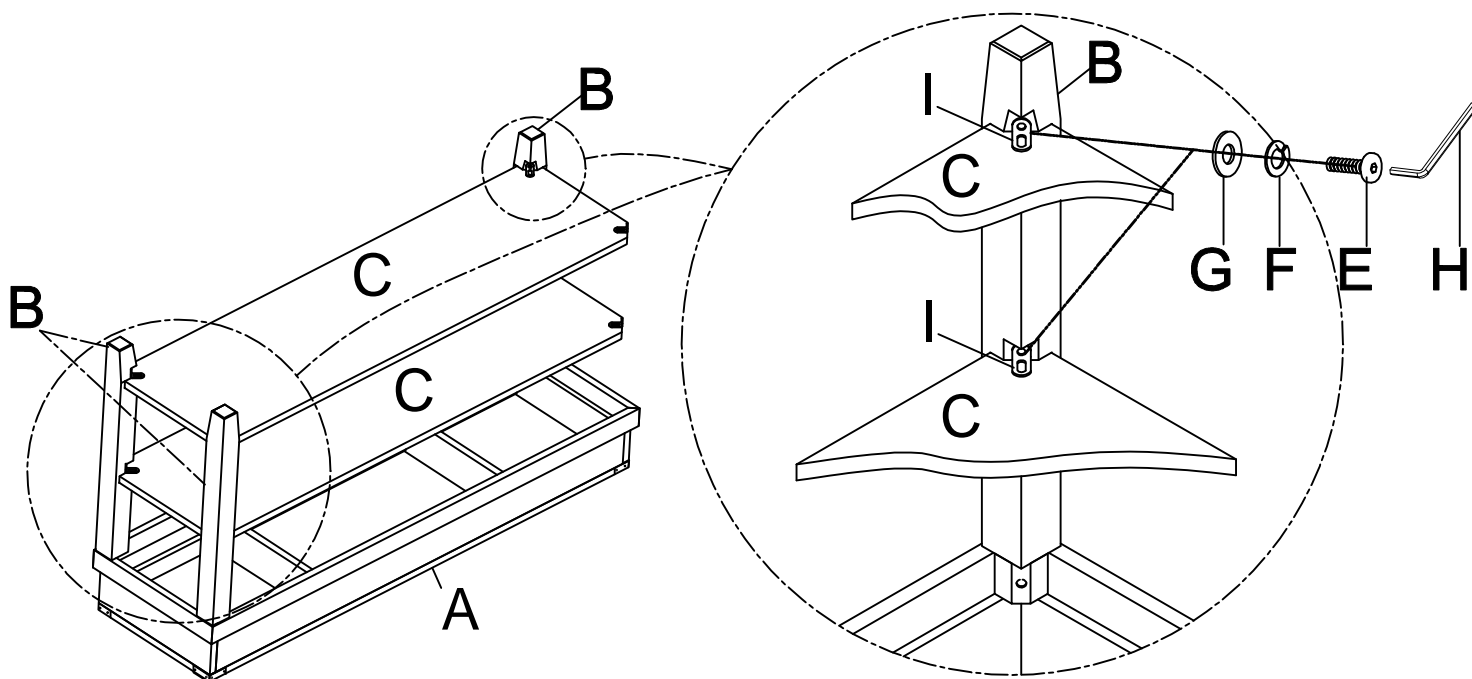
**2**

Attached Metal(I) to the Shelf(C). Use Bolt(E) Lock Washer(F) and Flat Washer(G) on holes of Shelf(C). Turn the Allen Key(H) in Bolt(E).

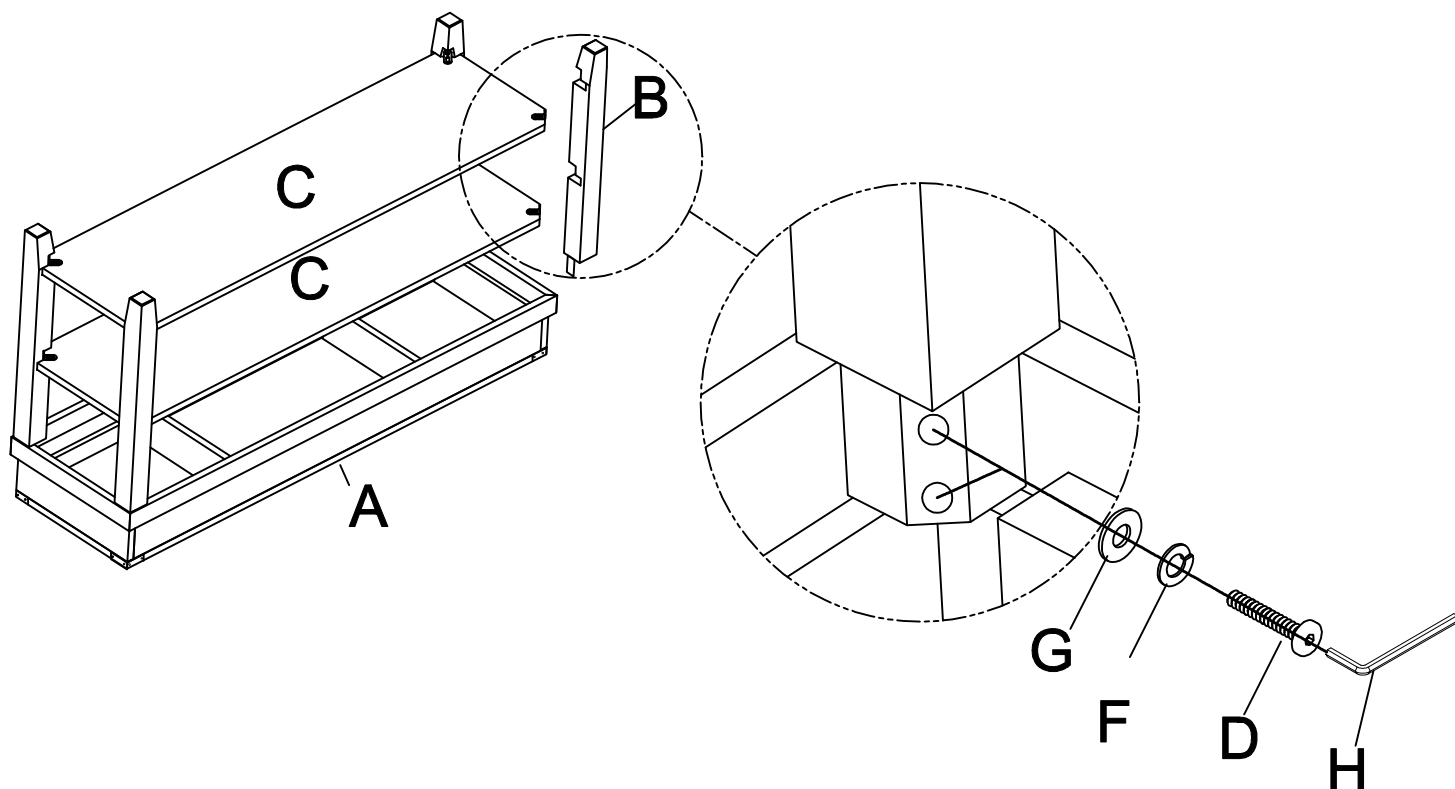


**3**

Attached Shelf(C) to the Legs(B). Use Bolt(E) Lock Washer(F) and Flat Washer(G) on holes of Metal(I). Turn the Allen Key(H) in Bolt(E).

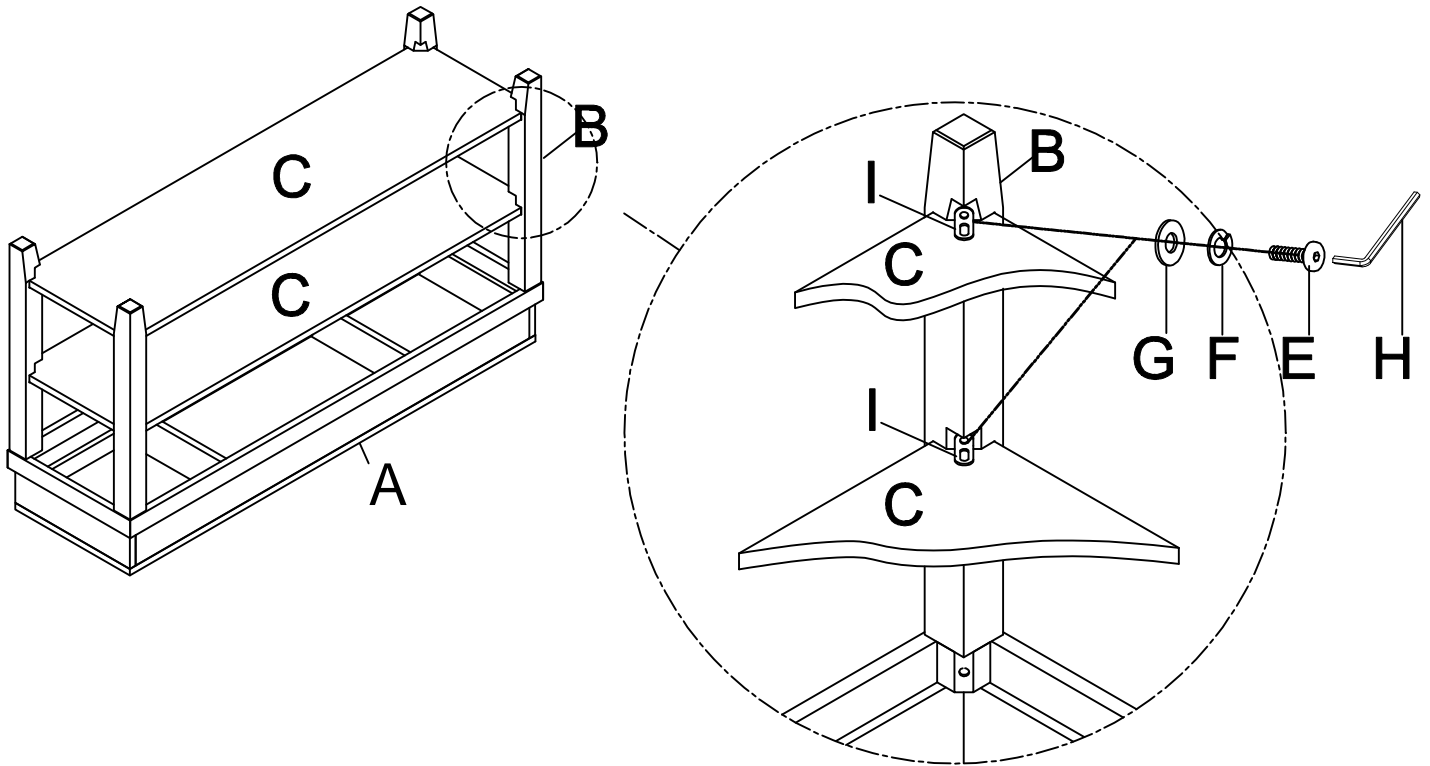
**4**

Attached the rest Leg(B) to the Table Top(A). Use Bolt(D) Lock Washer(F) and Flat Washer(G) on holes of Leg(B). Turn the Allen Key(H) in Bolt(D).

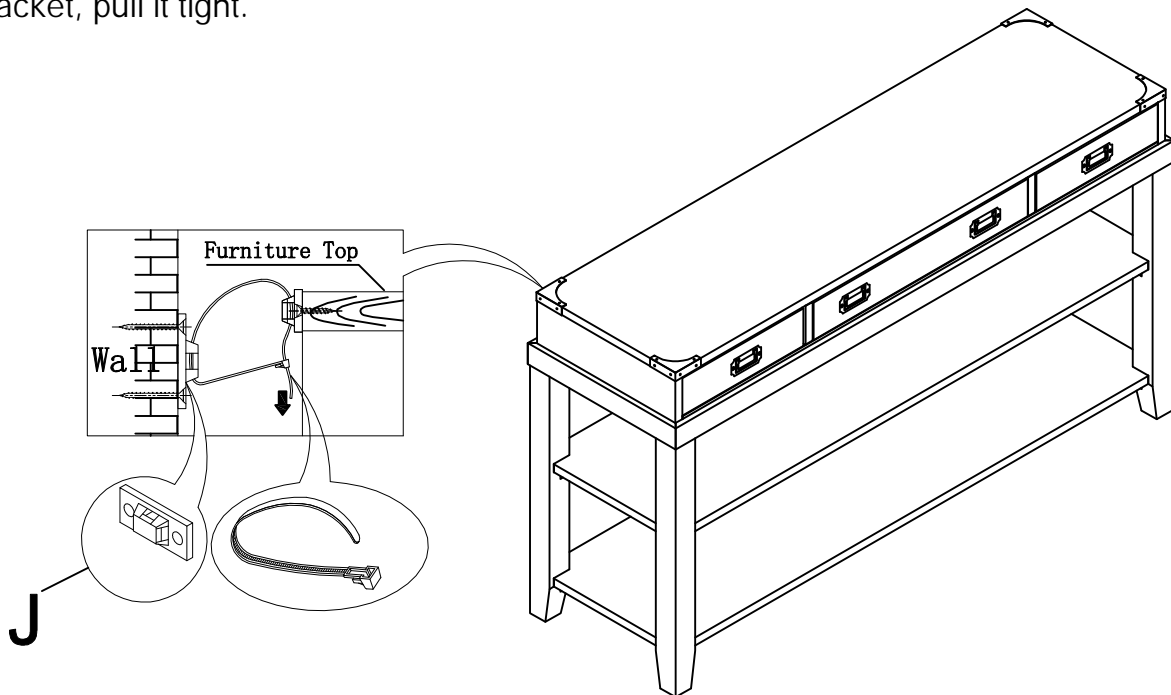


**5**

Attached Shelf(C) to the Leg(B). Use Bolt(E) Lock Washer(F) and Flat Washer(G) on holes of Metal(I). Turn the Allen Key(H) in Bolt(E).

**6**

Attach Anti-tipping hardware(J) to wall: Attach bracket (vertically) to wall using 2 of the screws provided; Attach bracket (horizontally) to furniture back (directly below top) with 2 of the screws provided. Place bracket as close to center of furniture back as possible in relation to wall stud and the desired position in the room; Move furniture to its final position. Thread the strap through bracket, pull it tight.



### Cleaning & Care

Treat surface with care. Surface is resistant to scratches but is not scratch resistant. Clean surfaces with a dry or damp soft cloth. Do not use abrasive cleaners. Hardware may loosen over time. Periodically check that all connections are tight.