

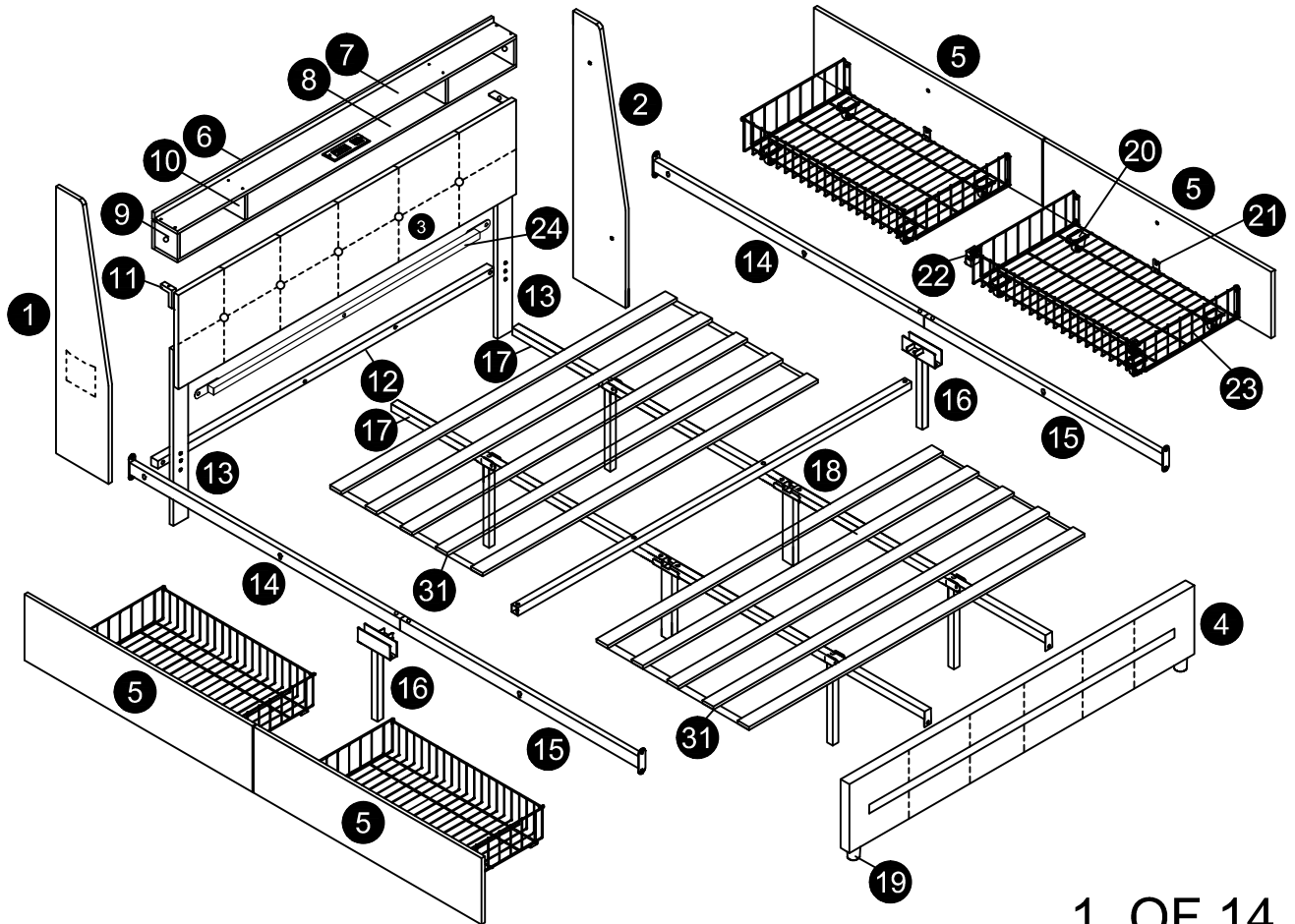
DJ503998_1

Note:



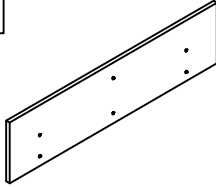
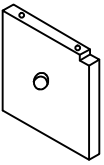
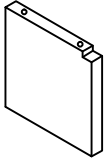
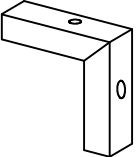

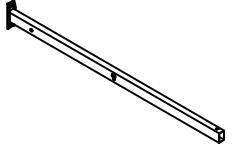
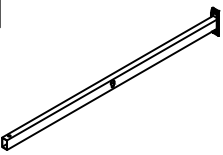
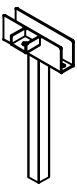
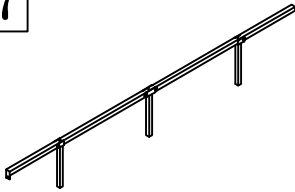
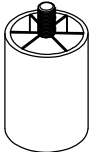
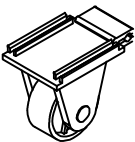
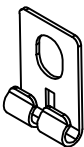

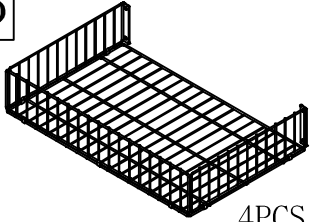
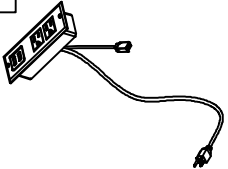

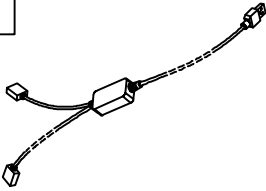

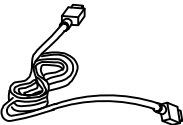

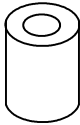
Should be assembled on flat ground to keep balance.

It needs at least two people to install.










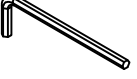
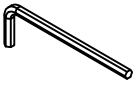
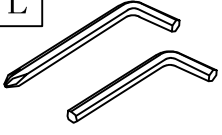
Before starting the assembly, you must read the whole manual and follow the instructions.



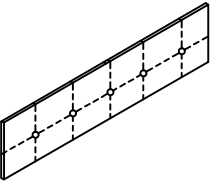
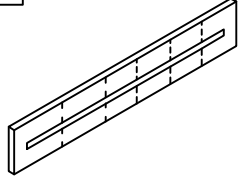
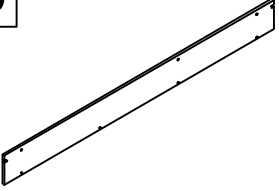
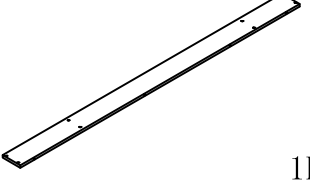
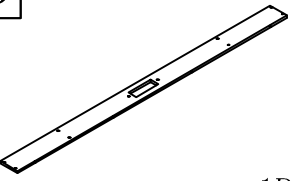
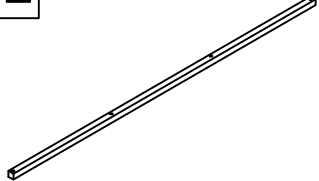
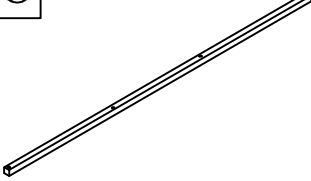
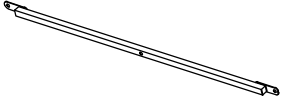
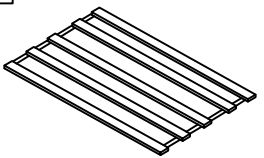
Part list Box-A

| | | | |
|--|---|--|---|
| <p>1</p>  <p>1PC</p> | <p>2</p>  <p>1PC</p> | <p>5</p>  <p>4PCS</p> | <p>9</p>  <p>2PCS</p> |
| <p>10</p>  <p>2PCS</p> | <p>11</p>  <p>4PCS</p> | <p>13</p>  <p>2PCS</p> | <p>14</p>  <p>2PCS</p> |
| <p>15</p>  <p>2PCS</p> | <p>16</p>  <p>2PCS</p> | <p>17</p>  <p>2PCS</p> | <p>19</p>  <p>2PCS</p> |
| <p>20</p>  <p>16PCS</p> | <p>21</p>  <p>4PCS</p> | <p>22</p>  <p>8PCS</p> | <p>23</p>  <p>4PCS</p> |
| <p>25</p>  <p>1PC</p> | <p>26</p>  <p>1PC</p> | <p>27</p>  <p>1PC</p> | <p>28</p>  <p>1PC</p> |
| <p>29</p>  <p>1PC</p> | <p>30</p>  <p>5PCS</p> | <p>32</p>  <p>2PCS</p> | |



Hardware list Box-A

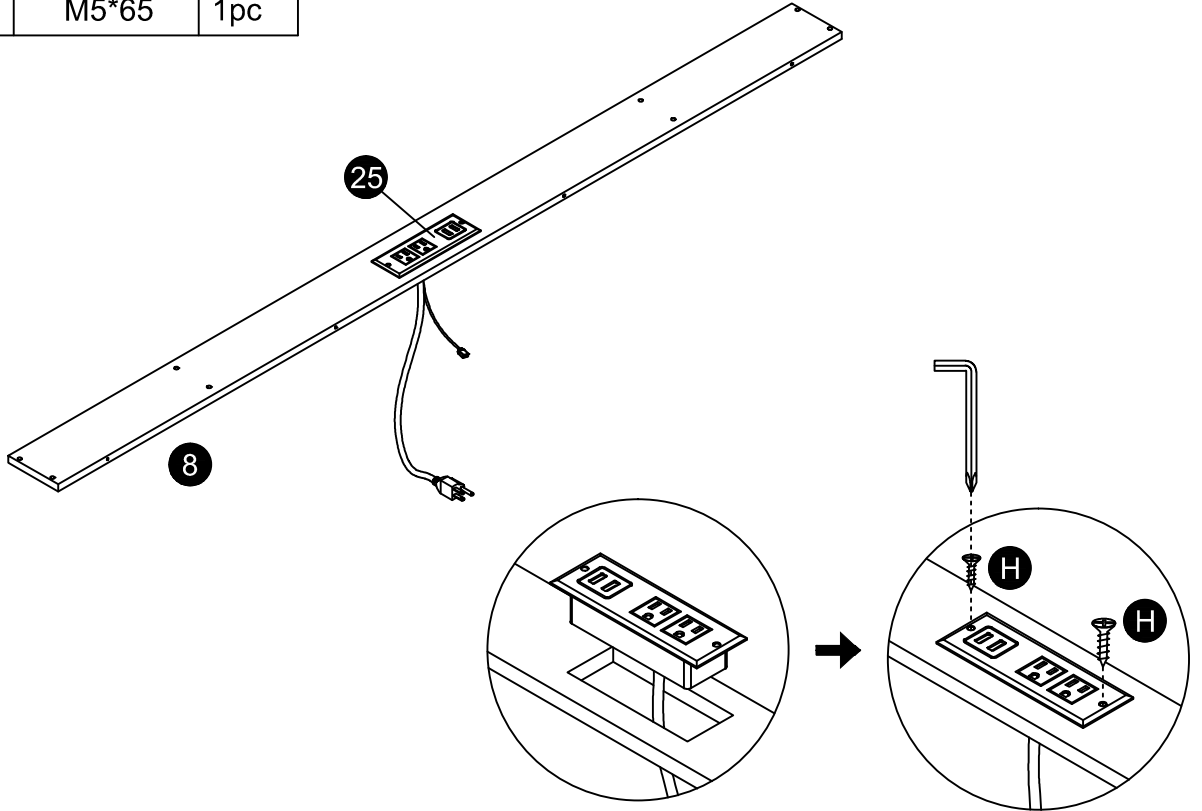
| | | | | |
|---|--|--|---|--|
| <p>A</p>  <p>M8*50mm</p> <p>9PCS</p> | <p>B</p>  <p>M8*35mm</p> <p>16PCS</p> | <p>C</p>  <p>M8*20mm</p> <p>11PCS</p> | <p>D</p>  <p>M8*25mm</p> <p>2PCS</p> | <p>E</p>  <p>M6*12mm</p> <p>22PCS</p> |
| <p>F</p>  <p>M6*20mm</p> <p>4PCS</p> | <p>G</p>  <p>M5*30mm</p> <p>26PCS</p> | <p>H</p>  <p>M4*12mm</p> <p>3PCS</p> | <p>I</p>  <p>M6*30mm</p> <p>9PCS</p> | <p>J</p>  <p>M4*65MM</p> <p>1PC</p> |
| <p>K</p>  <p>M3*65MM</p> <p>1PC</p> | <p>L</p>  <p>M5*65MM 2PCS</p> | | | |

Part list Box-B

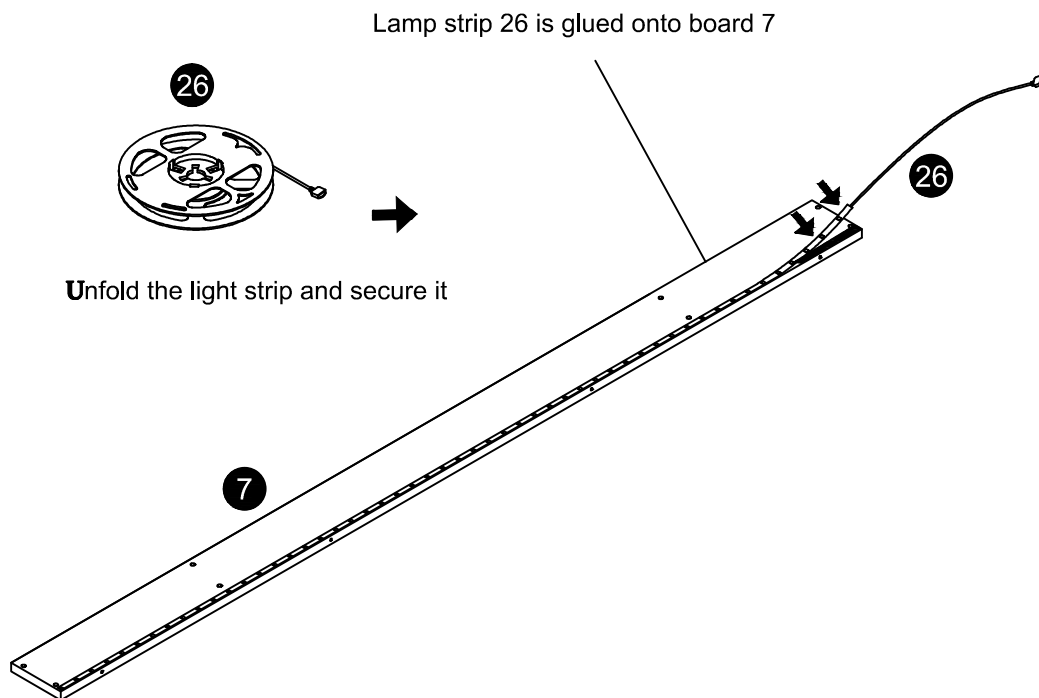
| | | | |
|---|--|---|--|
| <p>3</p>  <p>1PC</p> | <p>4</p>  <p>1PC</p> | <p>6</p>  <p>1PC</p> | <p>7</p>  <p>1PC</p> |
| <p>8</p>  <p>1PC</p> | <p>12</p>  <p>1PC</p> | <p>18</p>  <p>1PC</p> | <p>24</p>  <p>1PC</p> |
| <p>31</p>  <p>2PCS</p> | | | |

Step1



| | | | |
|---|---|---------|------|
| H |  | M4x12mm | 2pcs |
| L |  | M5*65 | 1pc |



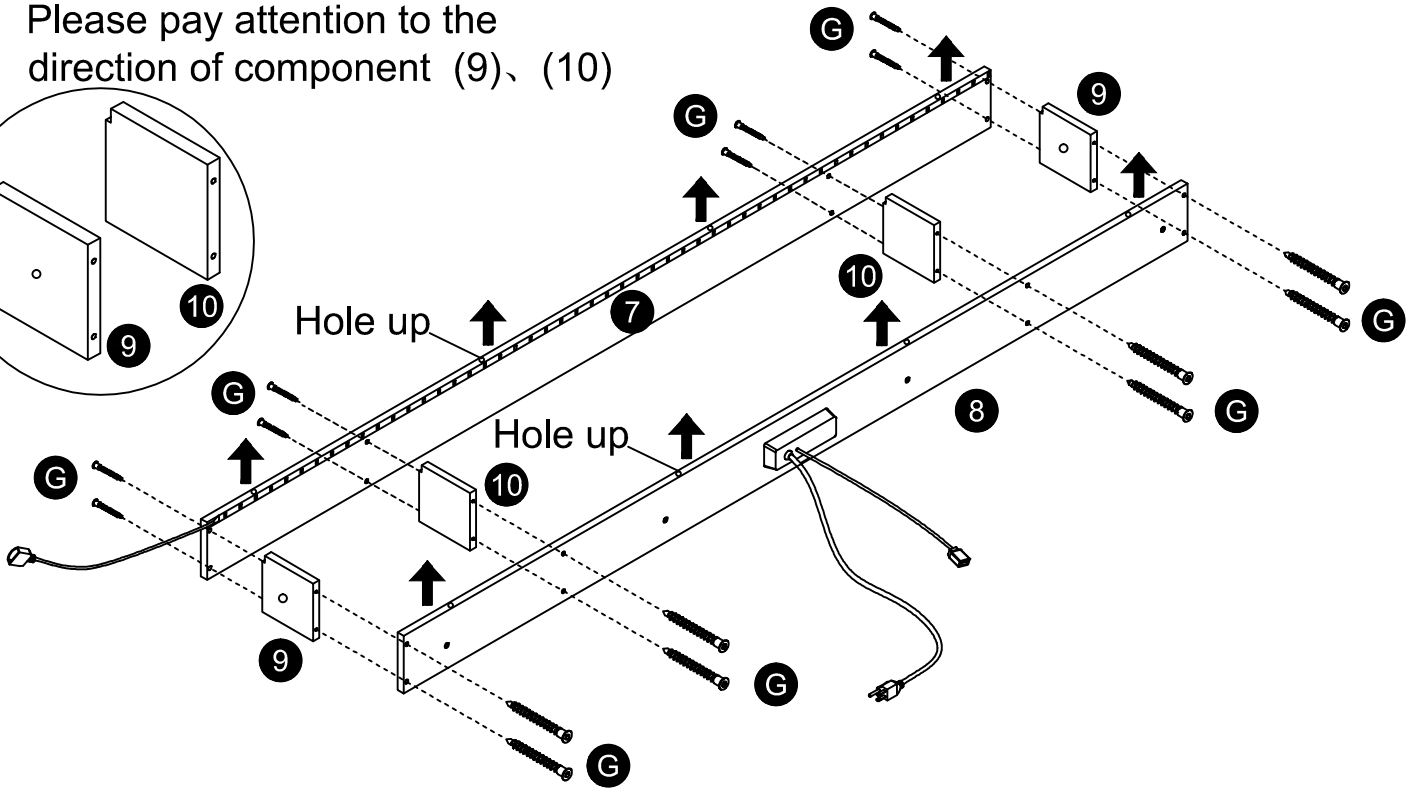
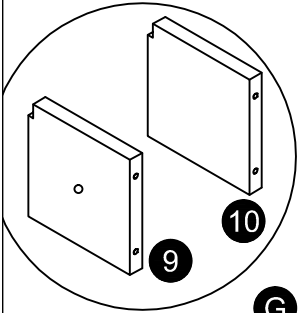
Step2





Step3

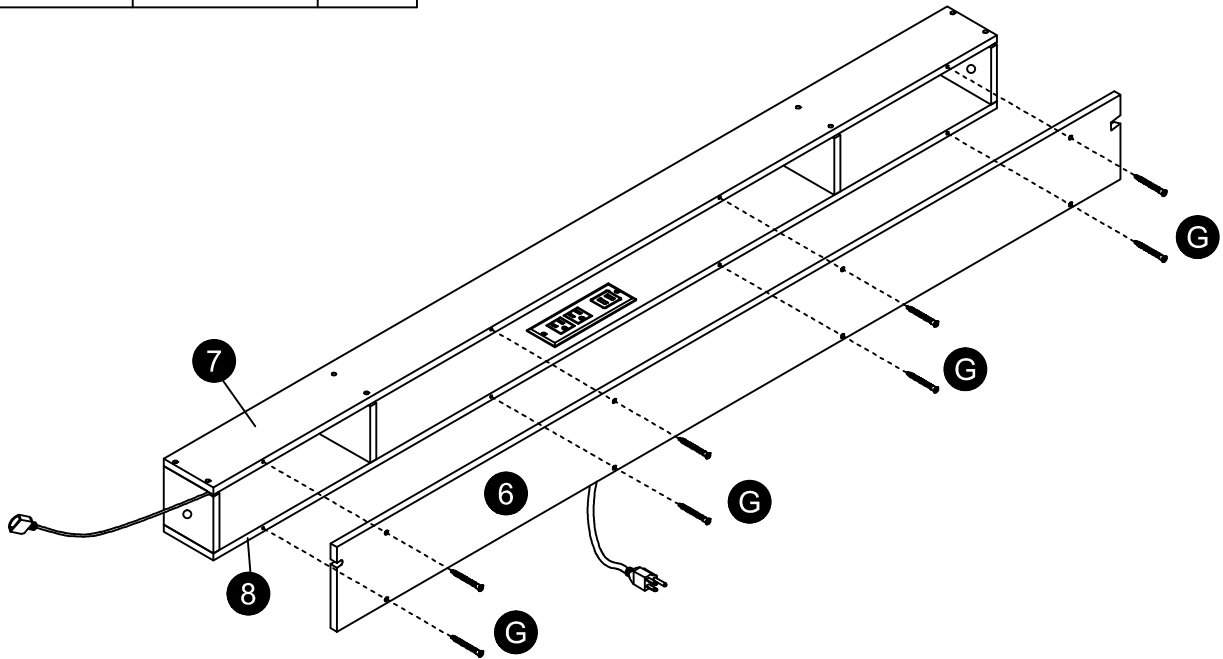
| | | | |
|---|---|---------|-------|
| G |  | M5x30mm | 16pcs |
| K |  | M3*65MM | 1pc |

Please pay attention to the direction of component (9)、(10)





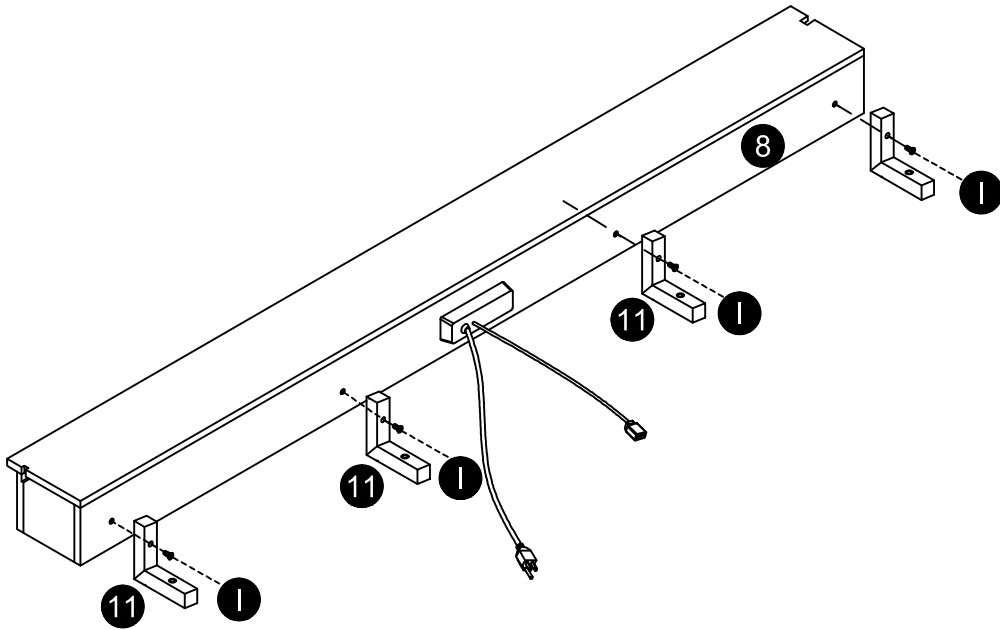
Step4

| | | | |
|---|---|---------|------|
| G |  | M5x30mm | 8pcs |
| K |  | M3*65MM | 1pc |





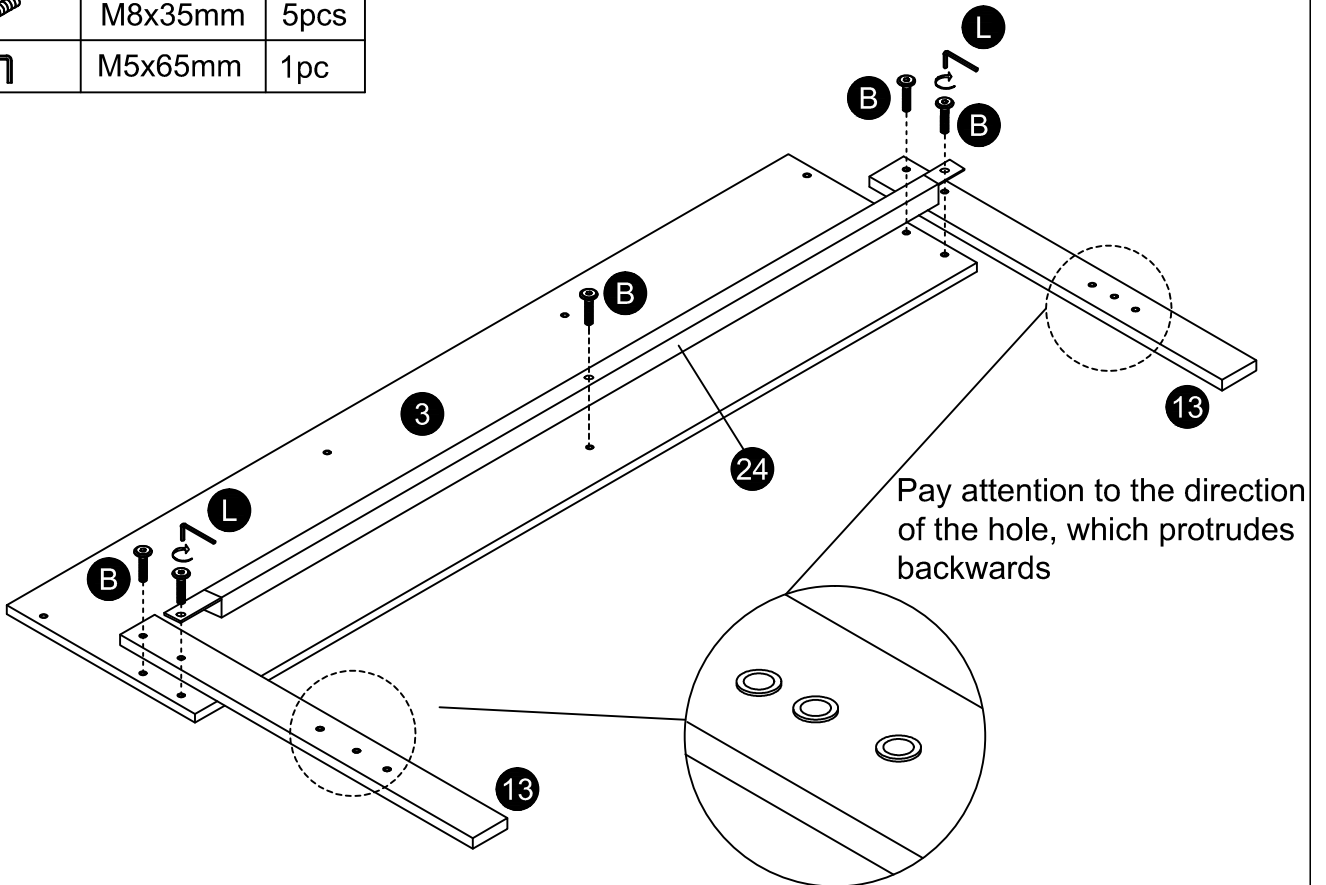
Step5

| | | | |
|---|---|---------|------|
| I |  | M6x30mm | 4pcs |
| J |  | M4x65mm | 1pc |






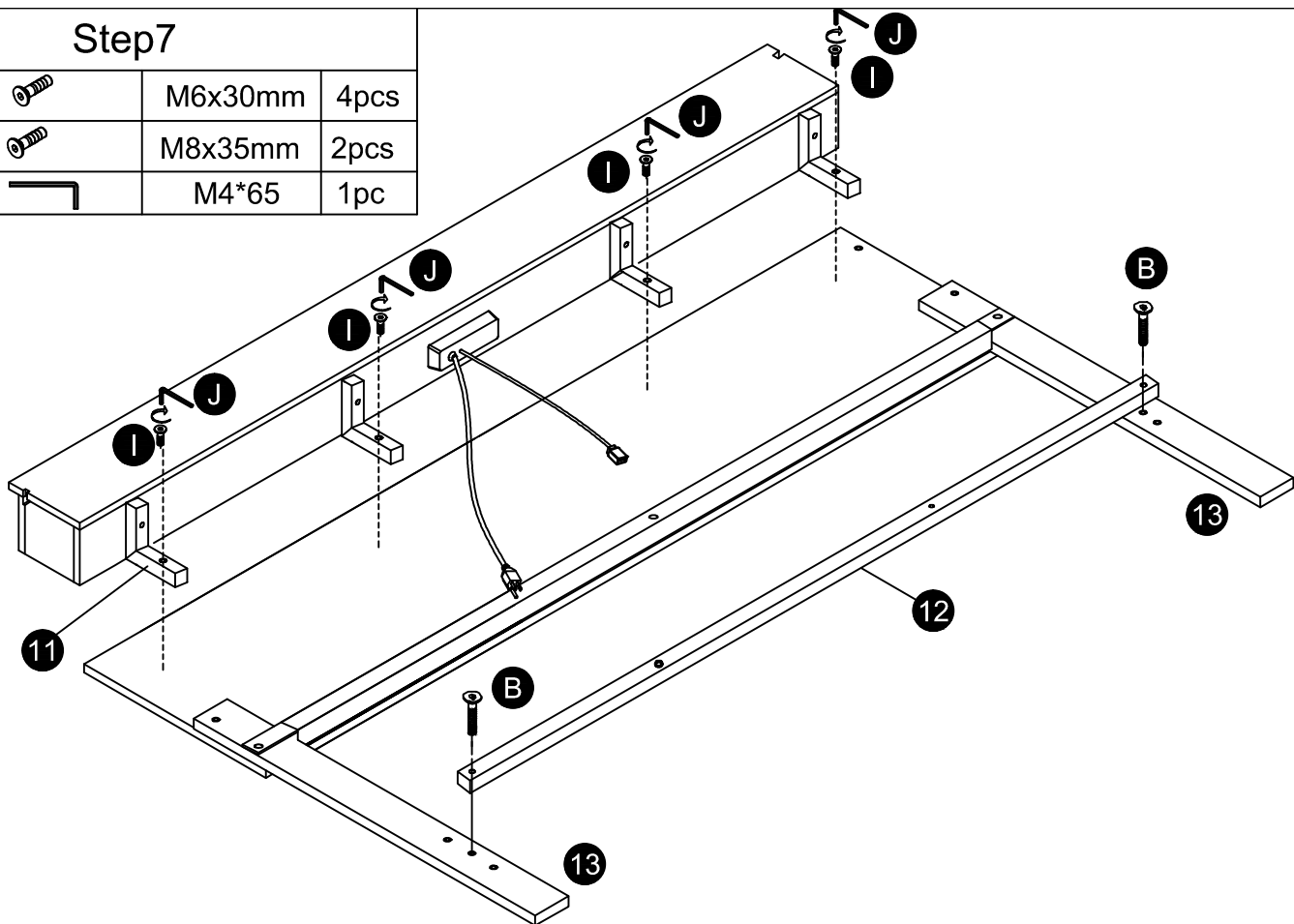
Step6

| | | | |
|---|---|---------|------|
| B |  | M8x35mm | 5pcs |
| L |  | M5x65mm | 1pc |





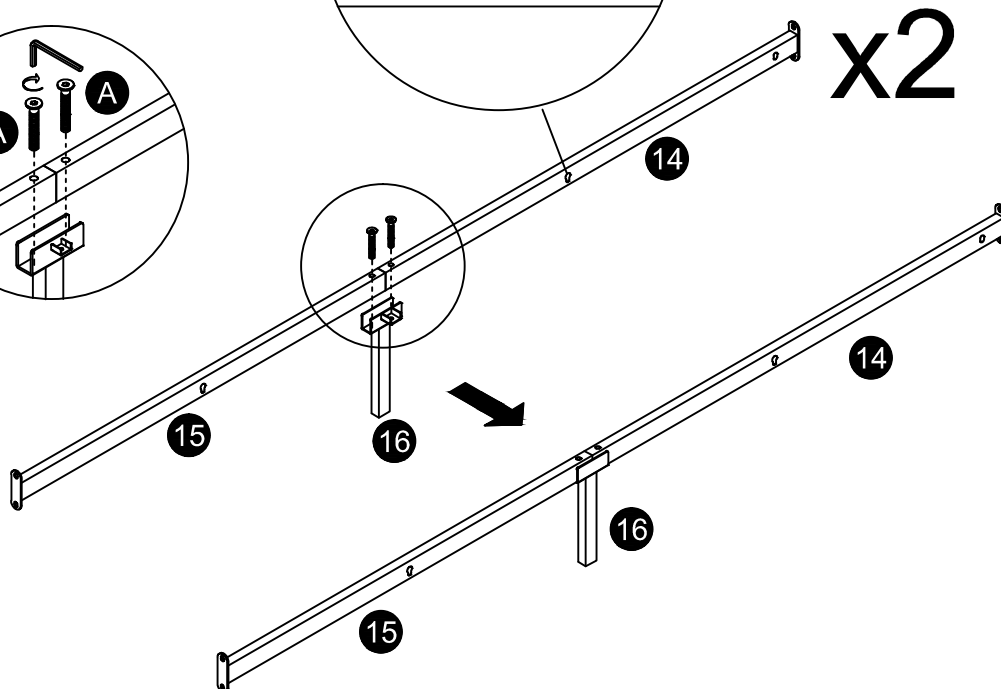
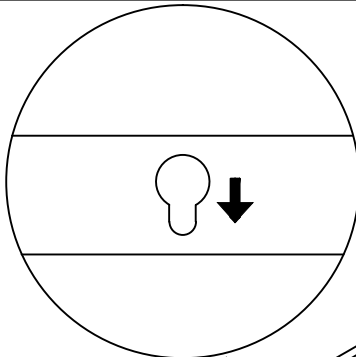
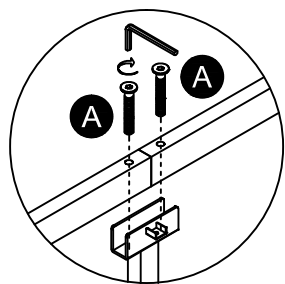
Step7

| | | | |
|---|---|---------|------|
| I |  | M6x30mm | 4pcs |
| B |  | M8x35mm | 2pcs |
| J |  | M4*65 | 1pc |

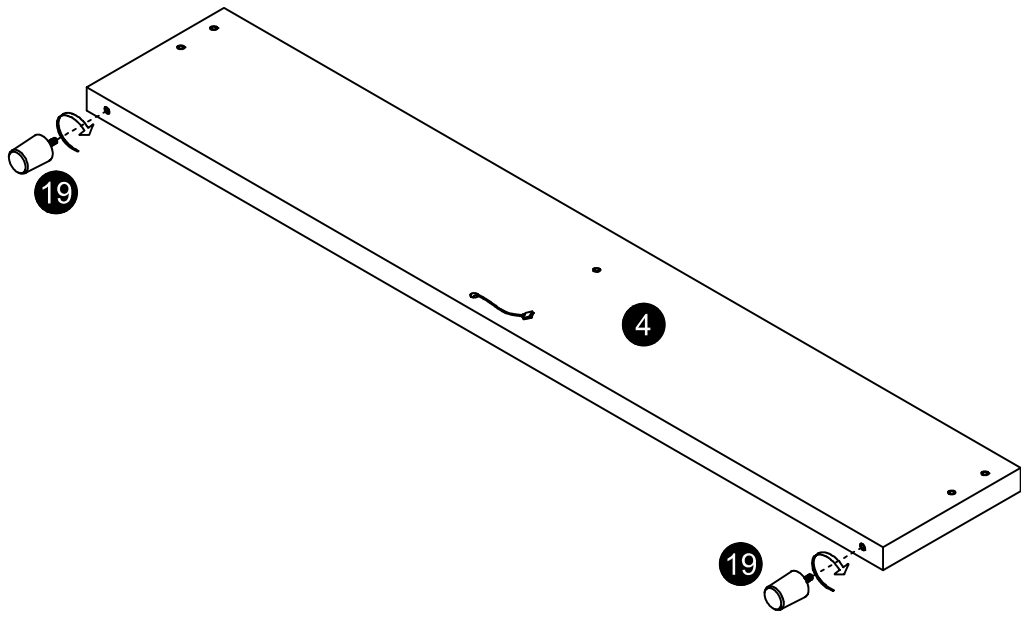


Step8



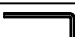
| | | | |
|---|---|---------|------|
| A |  | M8x50mm | 4pcs |
| L |  | M5x65mm | 1pc |

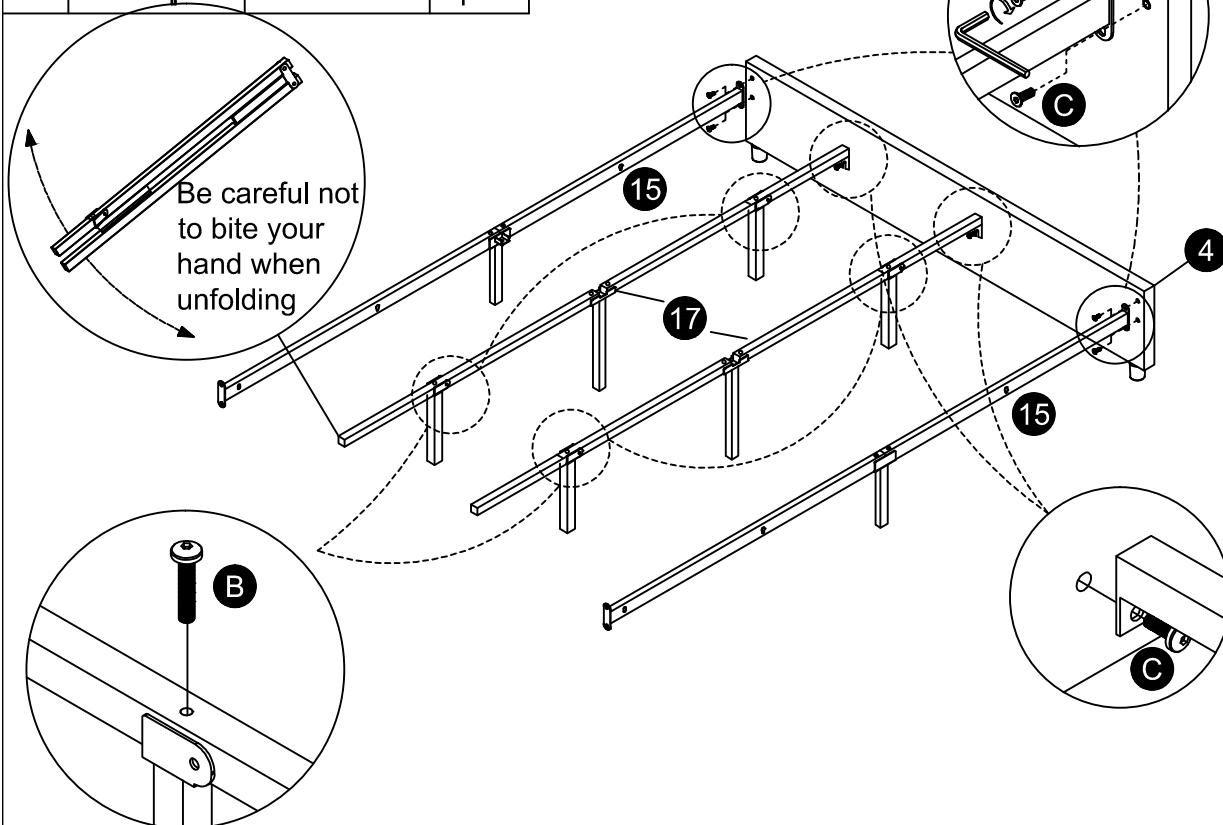


Step9






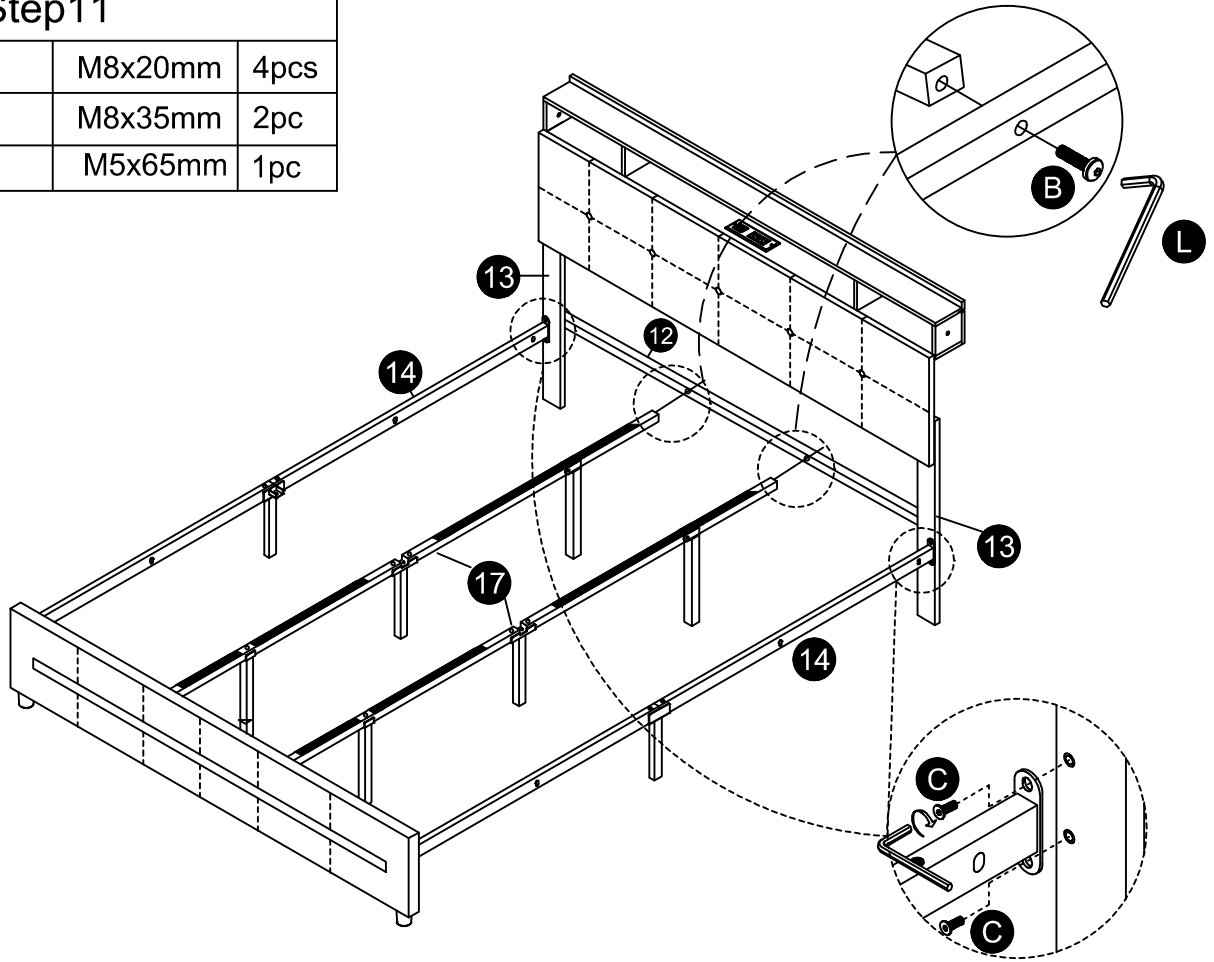
Step10

| | | | |
|---|---|---------|------|
| C |  | M8x20mm | 6pcs |
| B |  | M8x35mm | 4pcs |
| L |  | M5x65mm | 1pc |






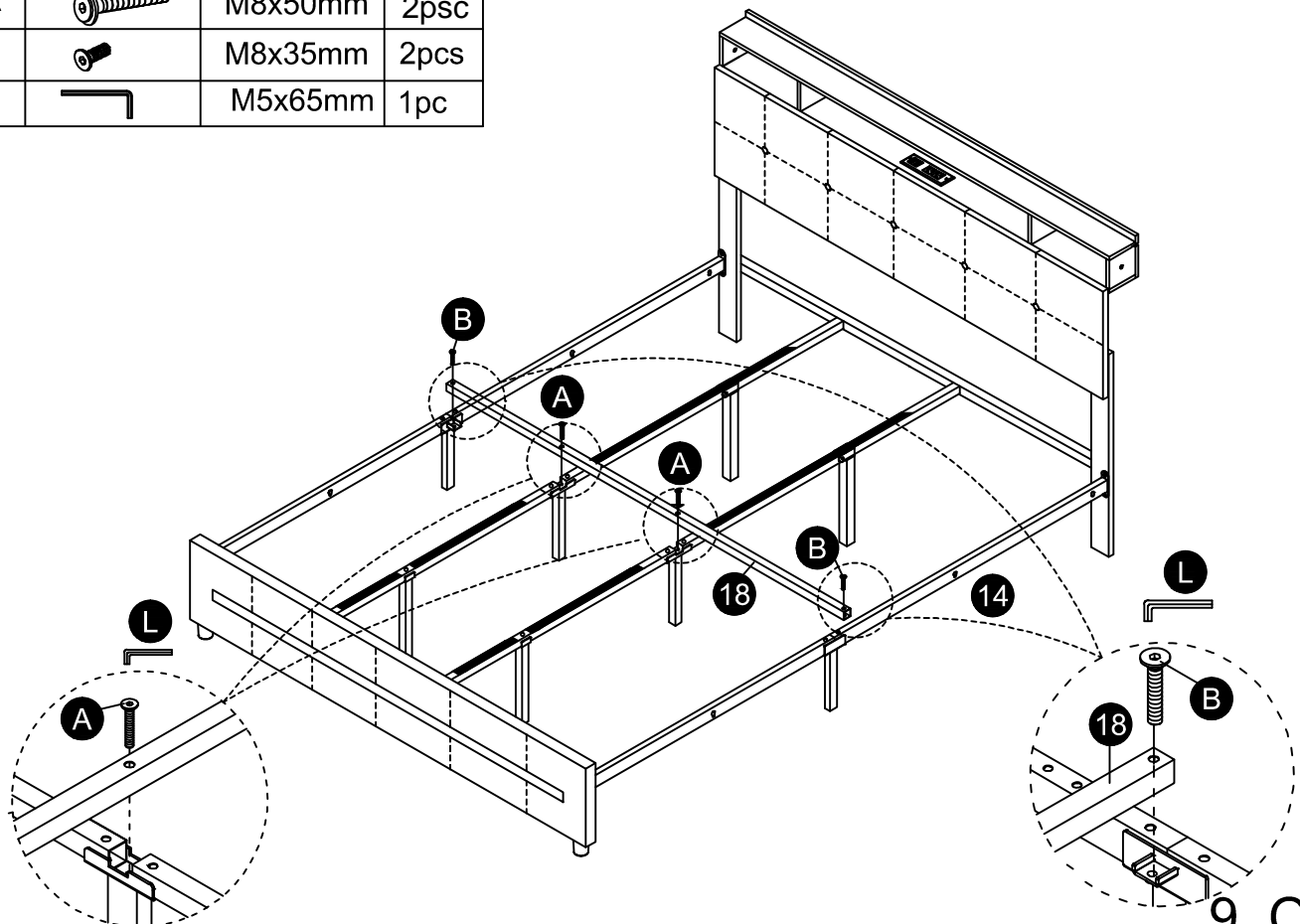
Step11

| | | | |
|---|---|---------|------|
| C |  | M8x20mm | 4pcs |
| B |  | M8x35mm | 2pc |
| L |  | M5x65mm | 1pc |






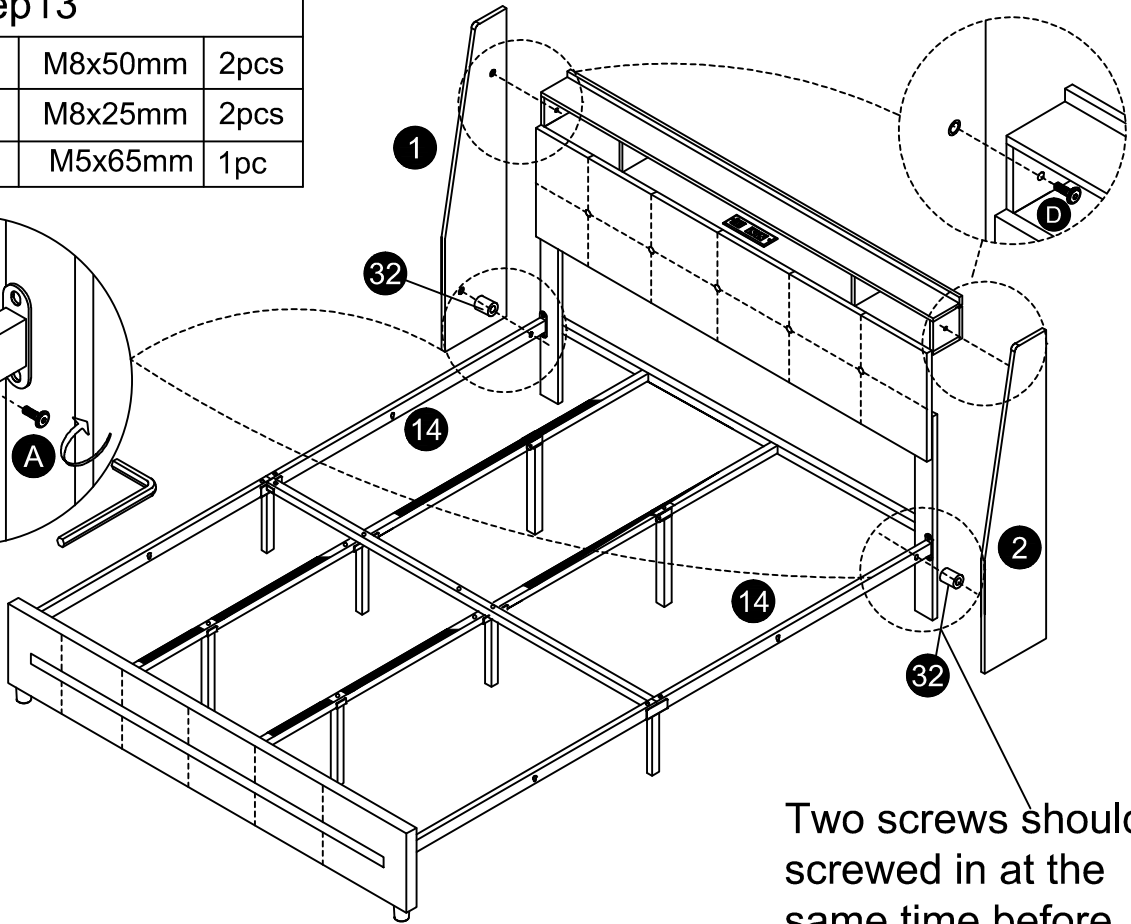
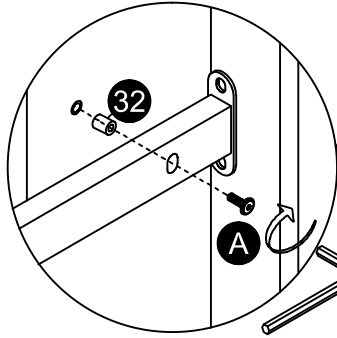
Step12

| | | | |
|---|---|---------|------|
| A |  | M8x50mm | 2psc |
| B |  | M8x35mm | 2psc |
| L |  | M5x65mm | 1pc |



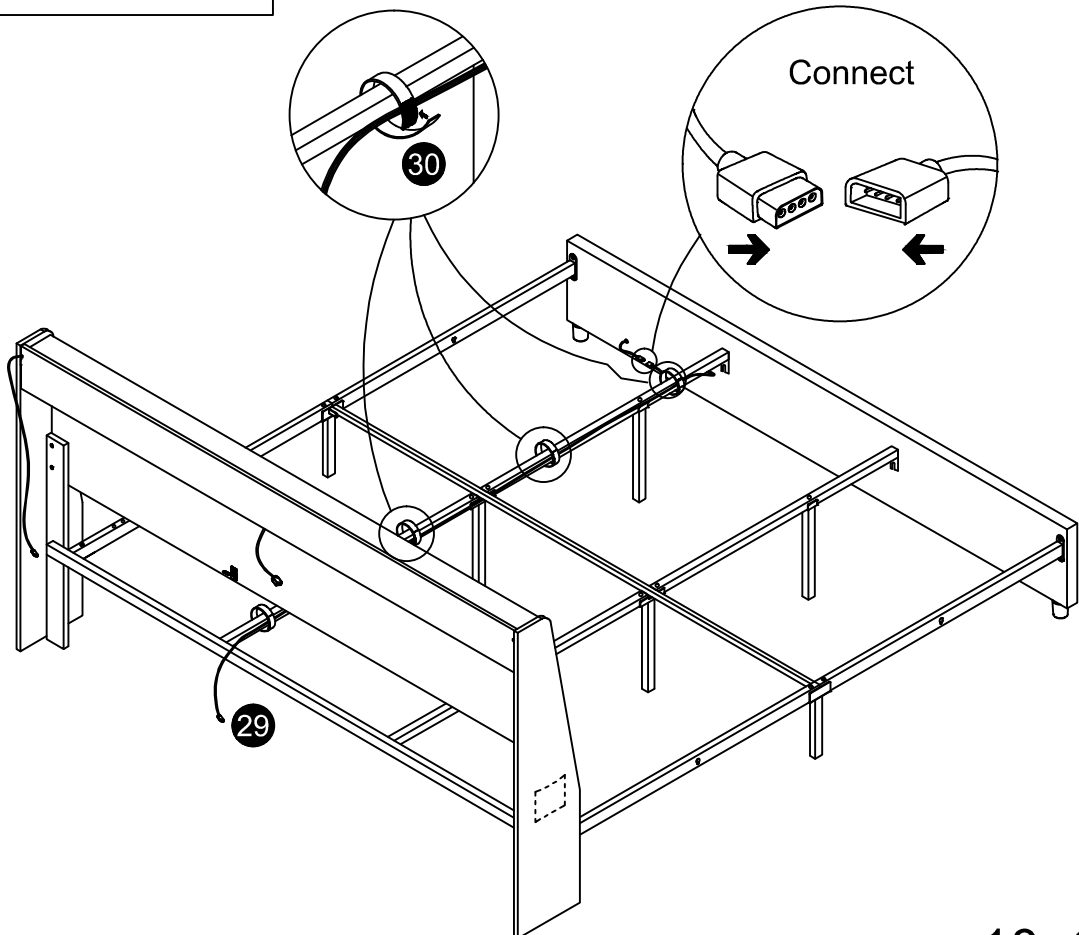
Step13

| | | | |
|---|---|---------|------|
| A |  | M8x50mm | 2pcs |
| D |  | M8x25mm | 2pcs |
| L |  | M5x65mm | 1pc |

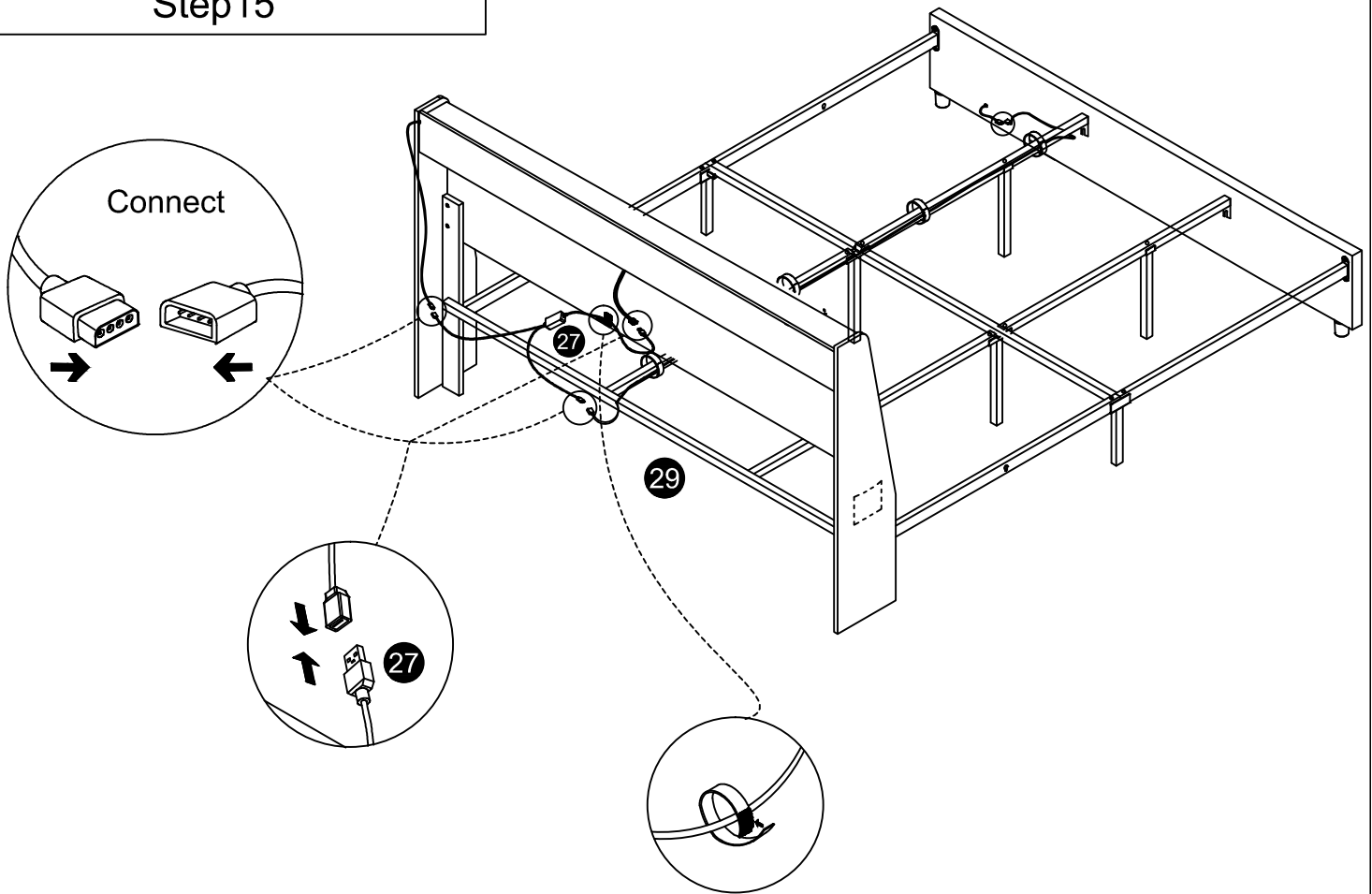


Two screws should be screwed in at the same time before tightening

Step14



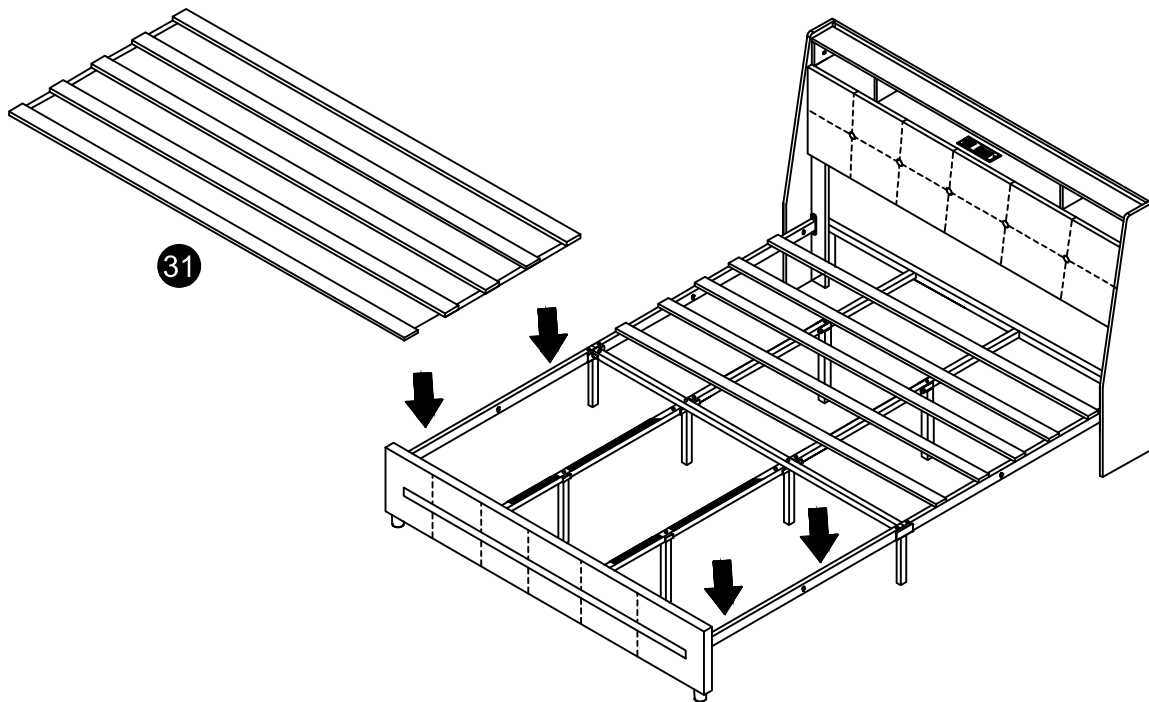
Step 15



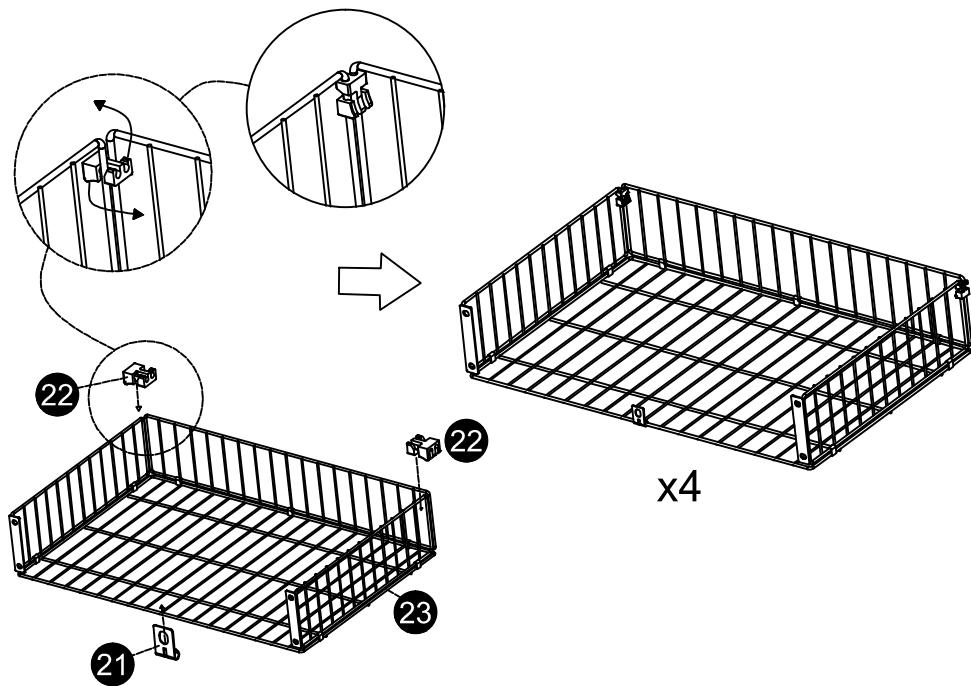
1. From the inside of the foot to the back, the magic band is tied all the way. Please tie the wires with magic tape

2. After all wires are reconnected, except for the large power plug that must be connected to the power supply, other wires can be folded and tied into the large magic tape on the back.

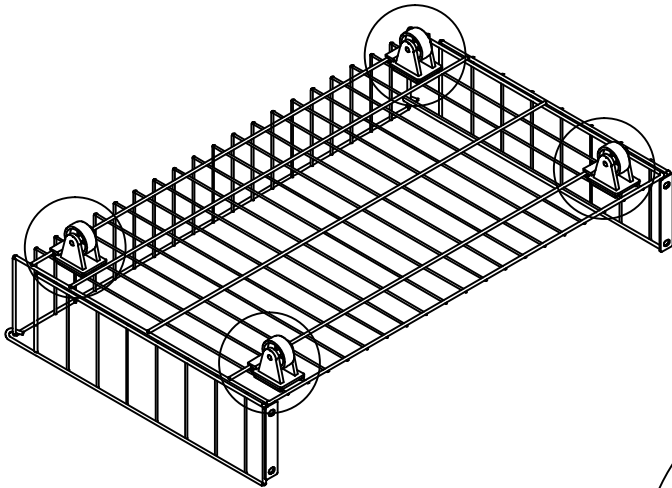
Step16



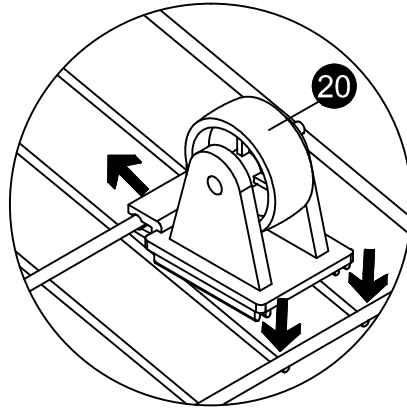
Step17




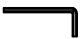
Step18

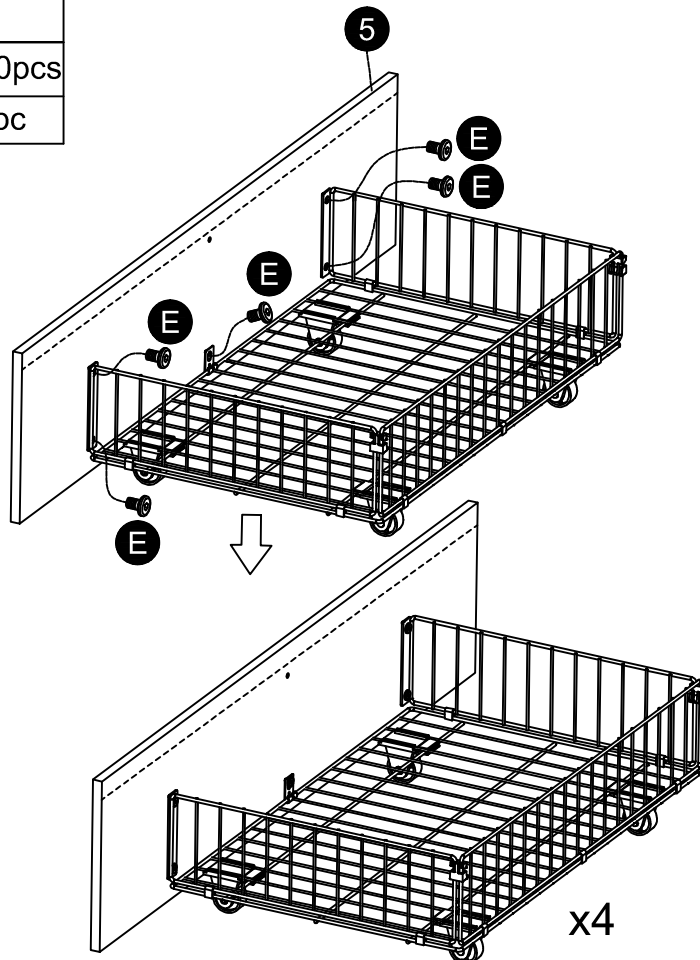


x4





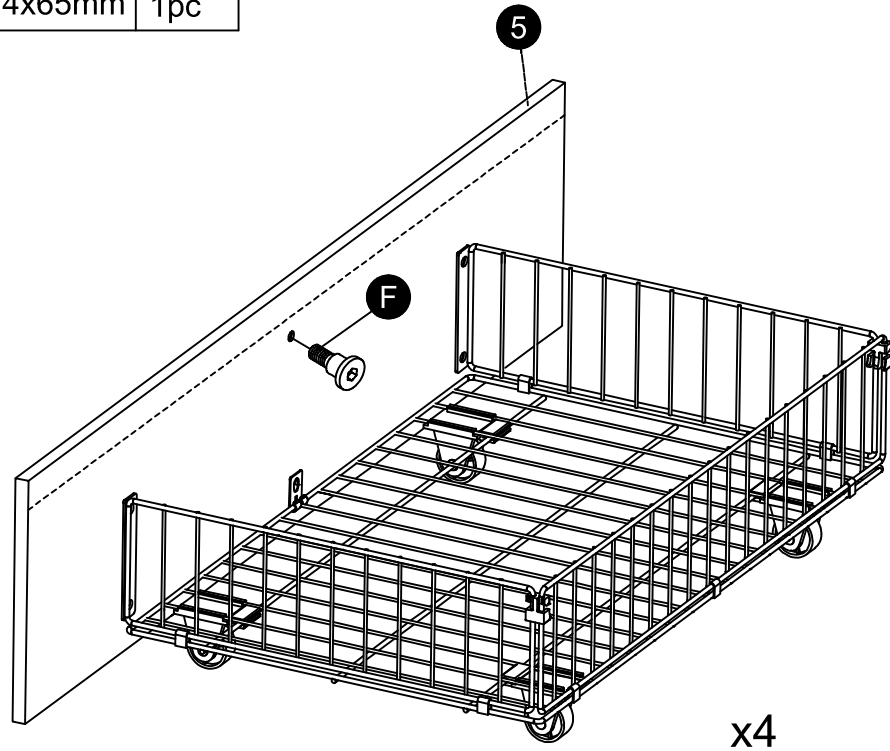
Step19

| | | | |
|---|---|---------|-------|
| E |  | M6x12mm | 20pcs |
| J |  | M4x65mm | 1pc |

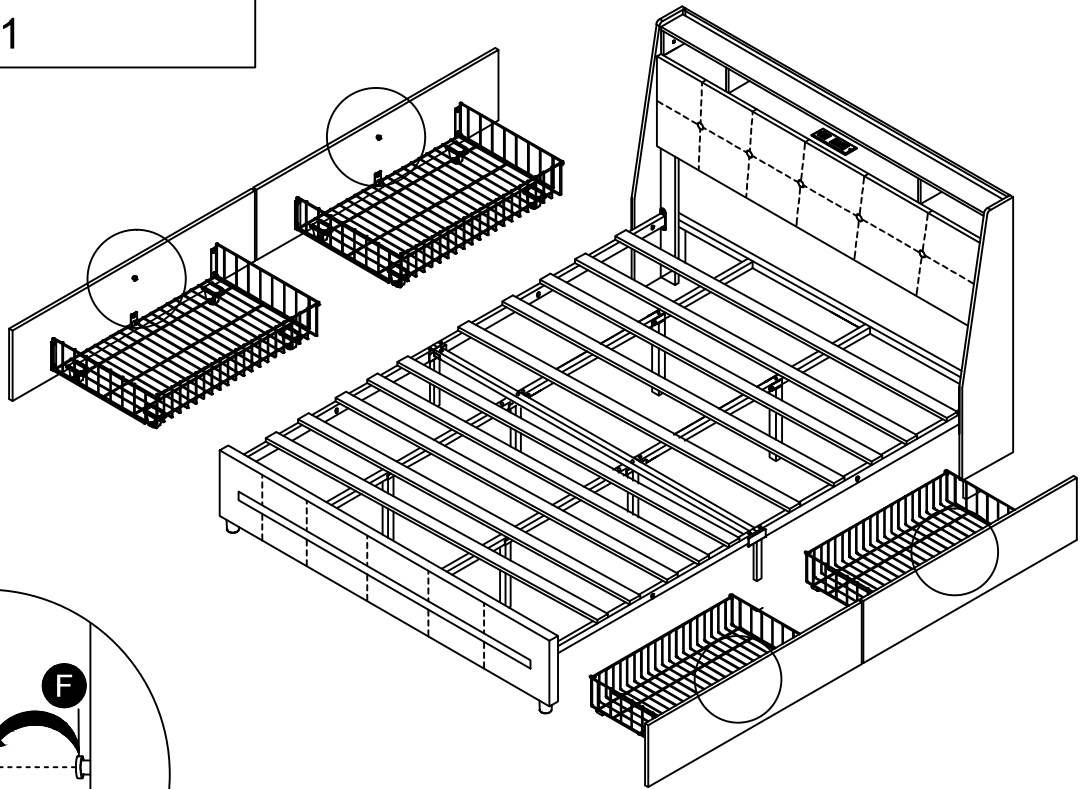


Step20

| | | | |
|---|---|---------|------|
| F |  | M6x20mm | 4pcs |
| J |  | M4x65mm | 1pc |



Step21



Please hang component (F) in the hole of component (14) (15)