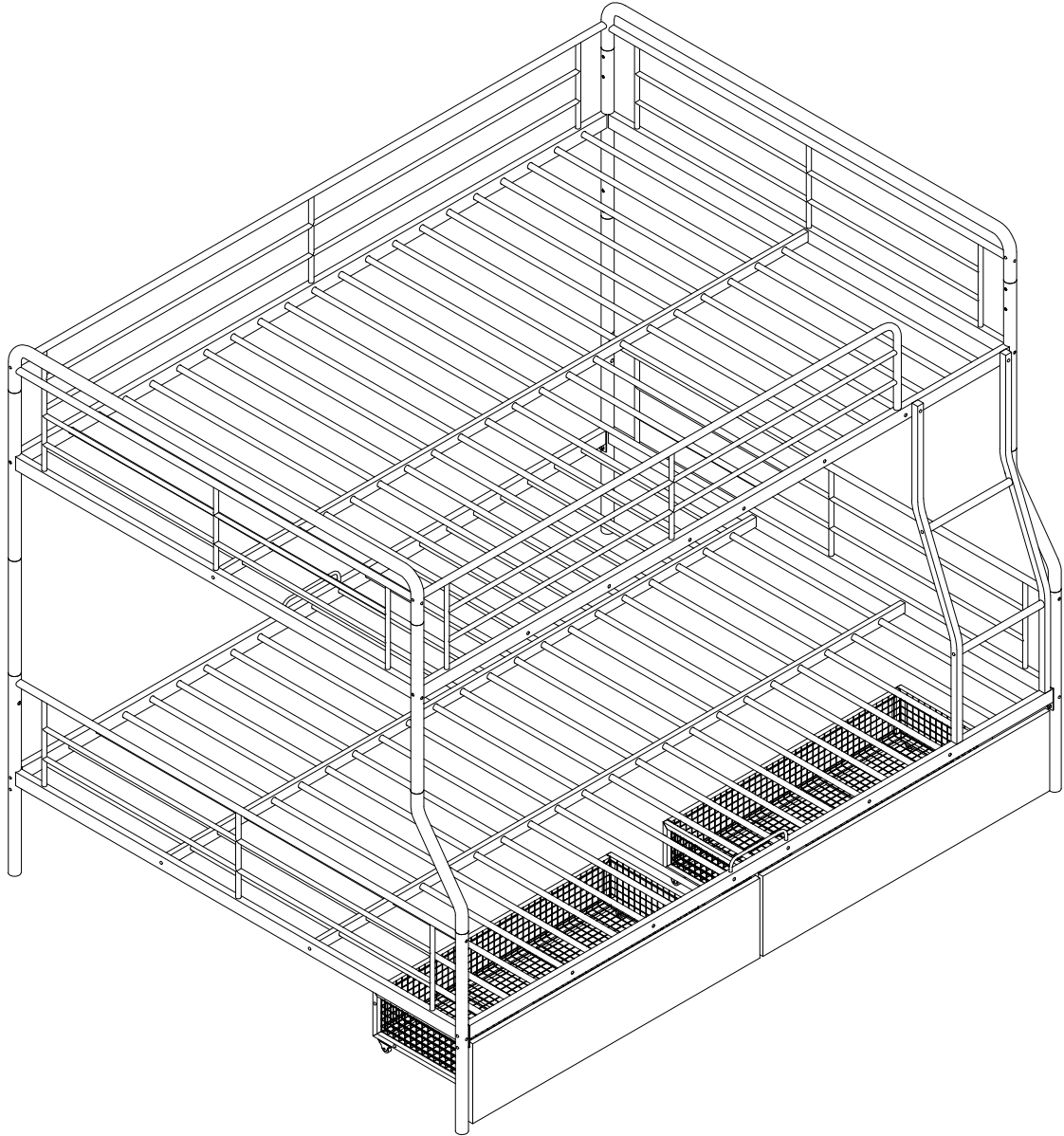
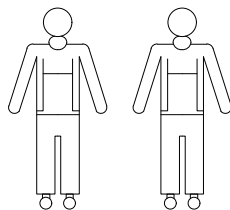


ASSEMBLY INSTRUCTION

MF310591 / 310592



Minimum no. 2 of people
recommended to assemble
this product: Approx.
assembly time: 60 mins





SAFETY WARNING



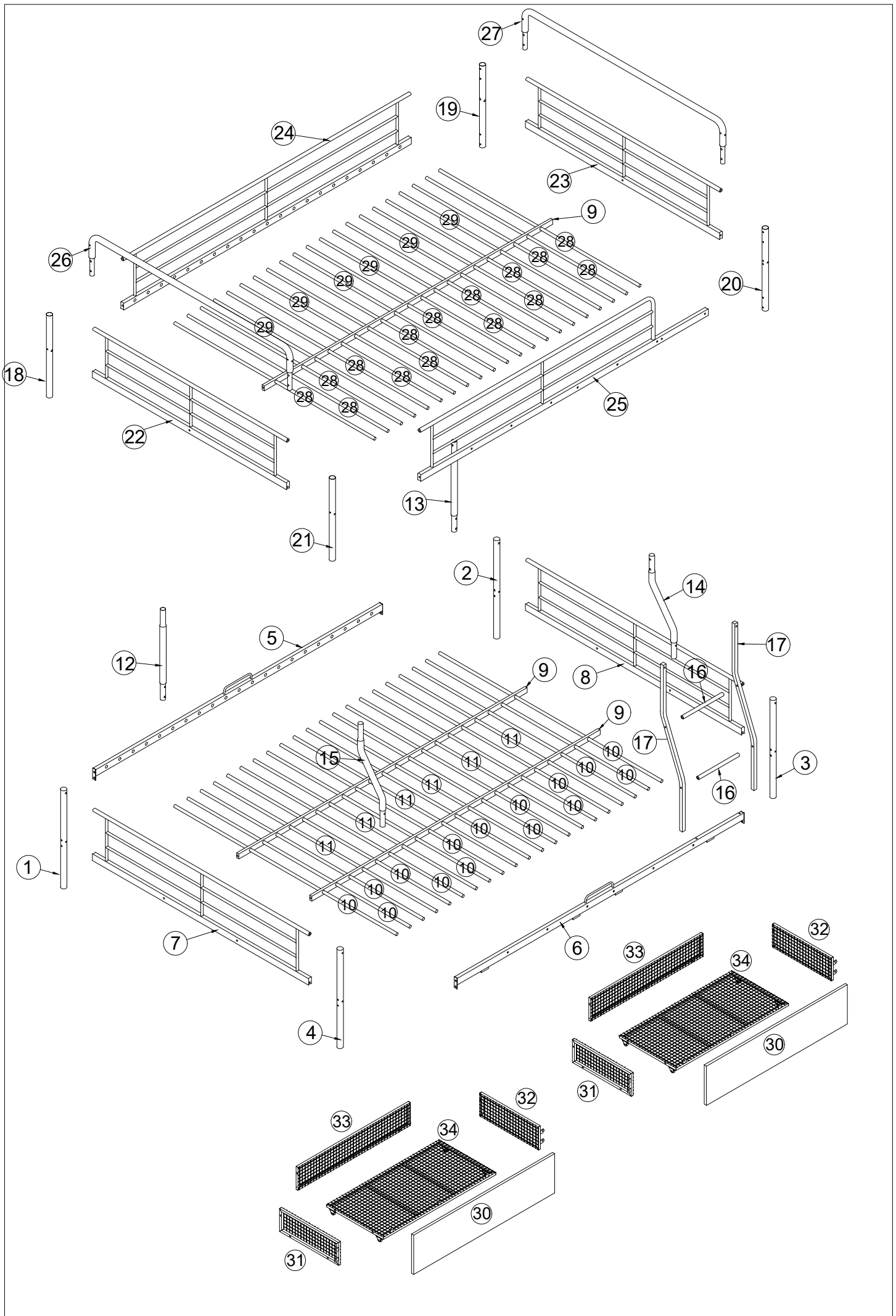
1. This bed is designed for use only mattress(es) meeting the following specifications on the upper bunk

Bed type	Length	Width	Thickness
Full extra long Standard	79"- 80"	53.5"	6" Max

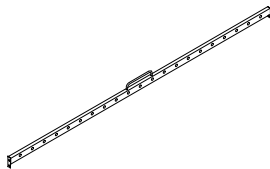
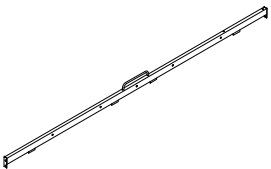

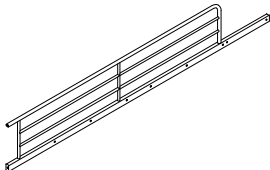
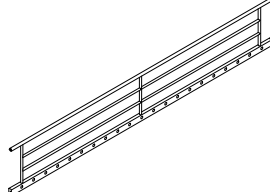
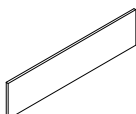
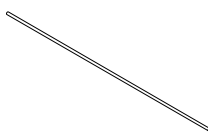
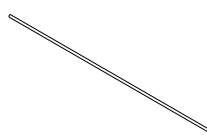
Lower bunk

Bed type	Length	Width	Thickness
Queen extra long Standard	79"- 80"	59.5"	8"

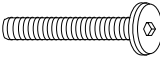
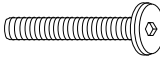
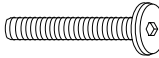
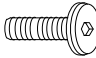
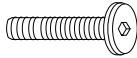
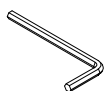

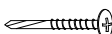
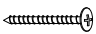



- 2. Replacement parts, including additional guardrails, maybe obtained from any for our (GIGACLOUD TECHNOLOGY(USA) INC.18961 ARENTH A VENUE CITY OF INDUSTRY, CA,91748) dealers**
- 3. Follow the information on the warnings appearing on the upper bunk bed end structure and on the carton. Do not remove warning label from bed.**
- 4. Always use the recommended size mattresses or mattress supports, or both, to help prevent the likelihood of entrapment or falls.**
- 5. Surface of mattress must be at least 5" (127mm) below the upper edge of guardrails .**
- 6. Do not allow children under 6 years of age to use the upper bunk.**
- 7. Periodically check and ensure that the guardrail , ladder , and other components are in their proper position , free from damage , and that all connectors are tight .**
- 8. Do not allow horseplay on or under the bed and prohibit Jumping on the bed .**
- 9. Always use the ladder for entering and leaving the upper bunk .**
- 10. Do not use substitute part . Contact the manufacturer or dealer for replacement part .**
- 11. Use of a night light may provide added safety precaution for a child using the upper bunk .**
- 12. Always use guardrails on both long sides of upper bunk . if the bunk bed will be placed next to the wall , the guardrail that runs the full length of the bed should be placed against the wall to prevent entrapment between the bed and wall .**
- 13. The use of water or sleep flotation mattresses is prohibited .**
- 14. STRANGULATION HAZARD - Never attach or hang items to any part of the bunk bed that are not designed for use with the bed ; for example , but not limited to , hook , belts and Jump ropes .**
- 15. Keep these instruction for future reference .**
- 16. Prohibit more than one person on upper bunk**
- 17. We recommend assembling your bunk bed on the shipping carton to protect your floor or carpet**
- 18. Be certain all staples are out the box before beginning assembly on the shipping carton .**







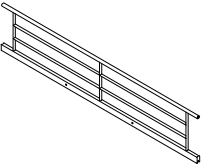
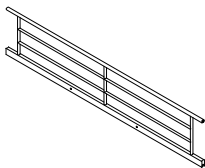


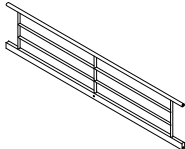
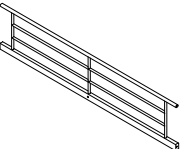
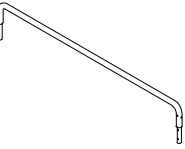
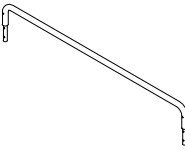

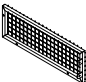
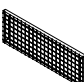
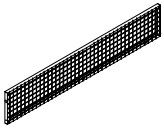
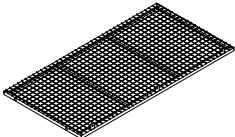
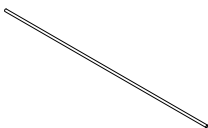
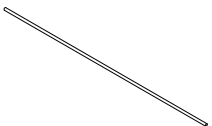







PART LIST MF310591

<p>5</p>  <p>1PC</p>	<p>6</p>  <p>1PC</p>	<p>9</p>  <p>3PCS</p>
<p>25</p>  <p>1PC</p>	<p>24</p>  <p>1PC</p>	<p>30</p>  <p>2PCS</p>
<p>10</p>  <p>15PCS</p>	<p>11</p>  <p>6PCS</p>	

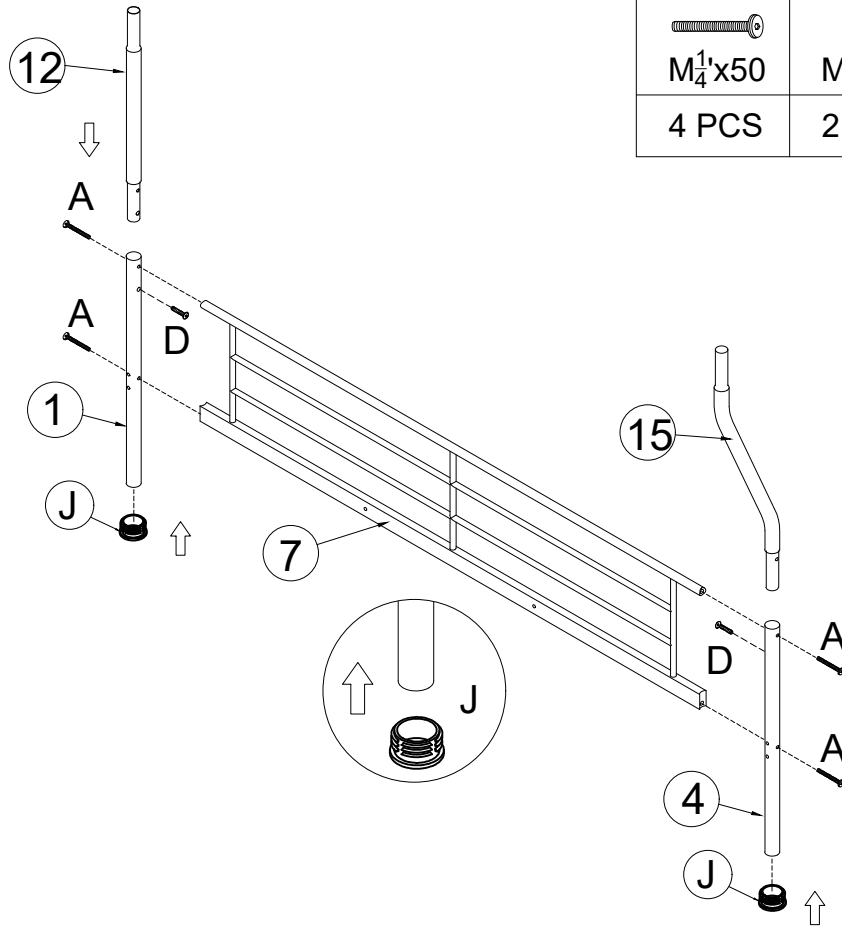
HARDWARE LIST MF310591




<p>A</p>  <p>30 PCS M$\frac{1}{4}$"X50</p>	<p>B</p>  <p>4 PCS M$\frac{1}{4}$"X40</p>	<p>C</p>  <p>12 PCS M$\frac{1}{4}$"X35</p>	<p>D</p>  <p>52 PCS M$\frac{1}{4}$"X15</p>	<p>E</p>  <p>18 PCS M$\frac{1}{4}$"X25</p>
<p>F</p>  <p>1PC M4X23X57</p>	<p>G</p>  <p>8 PCS 15x20x40H</p>	<p>H</p>  <p>16 PCS M4x15</p>	<p>i</p>  <p>14 PCS M4x15</p>	<p>J</p>  <p>12PCS Ø32x20</p>
<p>K</p>  <p>4PCS</p>	<p>L</p>  <p>2 PCS #20x20x13</p>			

PART LIST MF310592

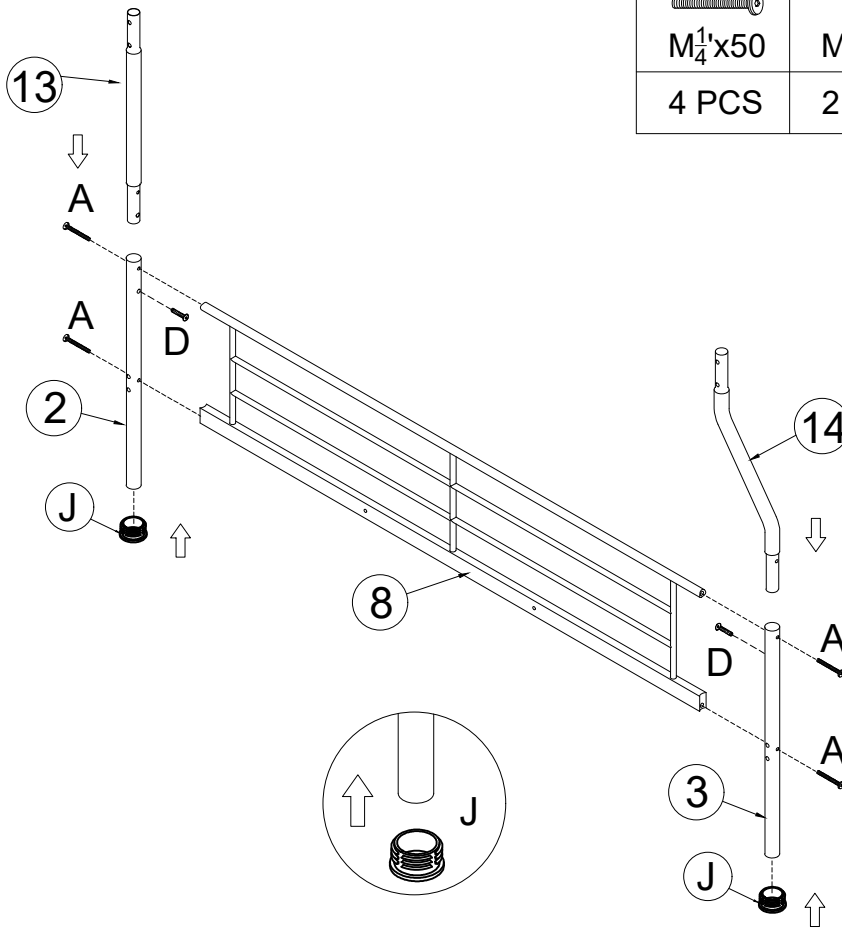
1		1PC	2		1PC	3		1PC
4		1PC	7		1PC	8		1PC
12		1PC	13		1PC	22		1PC
23		1PC	26		1PC	27		1PC
17		2PCS	31		2PCS	32		2PCS
33		2PCS	34		2PCS	28		15PCS
29		6PCS	14		1PC	15		1PC
16		2PCS	18		1PC	19		1PC
20		1PC	21		1PC			




STEP 1





A	D	J
 M $\frac{1}{4}$ "x50	 M $\frac{1}{4}$ "x15	 Ø32x16
4 PCS	2 PCS	2PCS

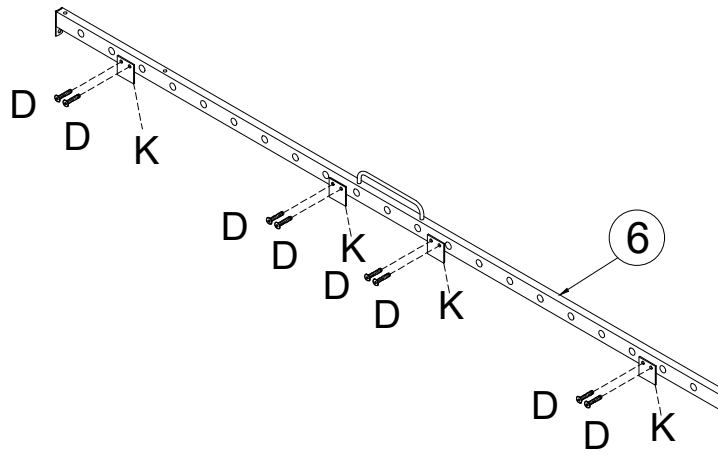
STEP 2




A	D	J
 M $\frac{1}{4}$ "x50	 M $\frac{1}{4}$ "x15	 Ø32x16
4 PCS	2 PCS	2PCS

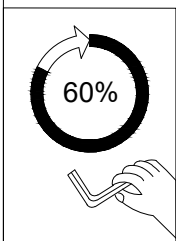
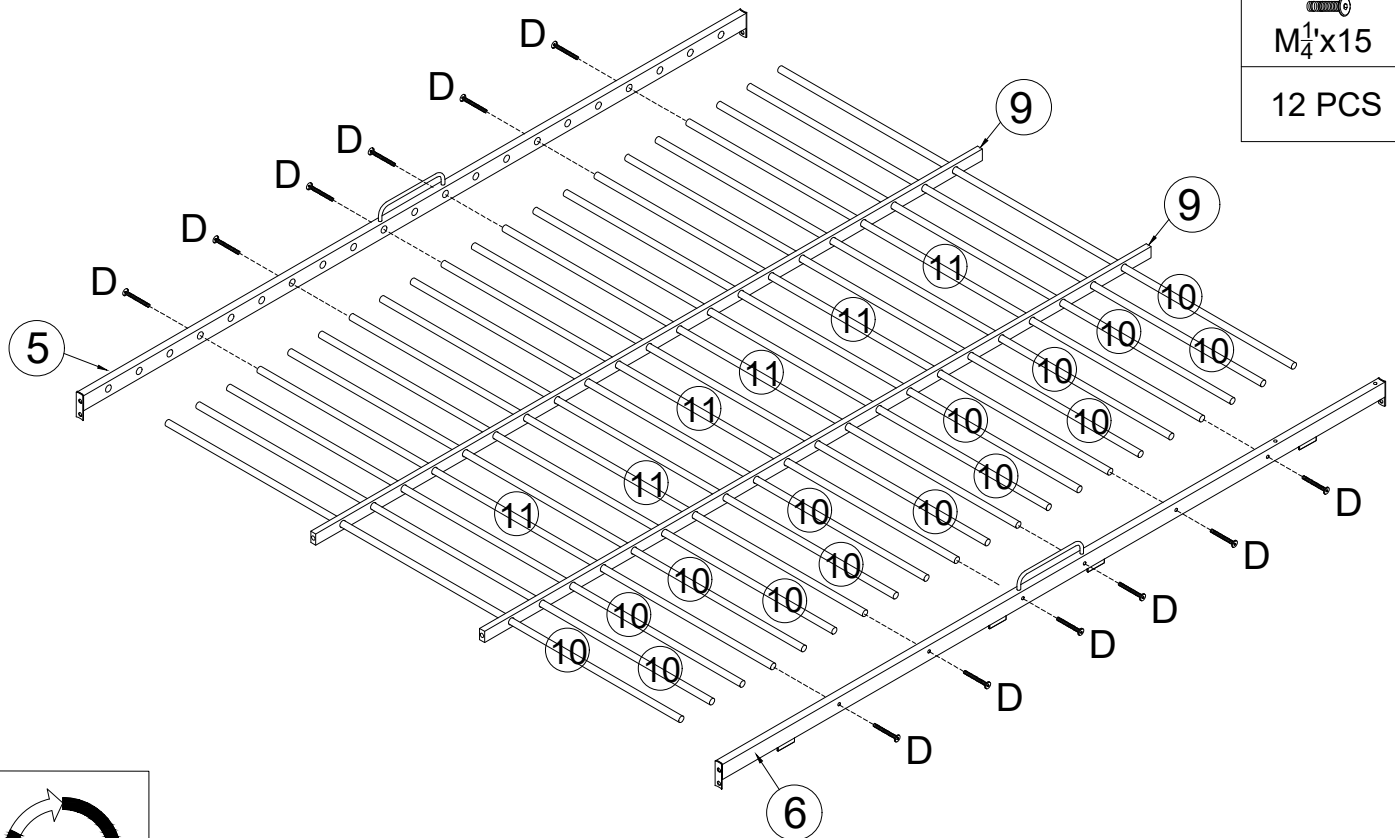
STEP 3

D	K
 M $\frac{1}{4}$ "x15	 3x50x50
8 PCS	4 PCS






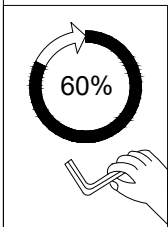
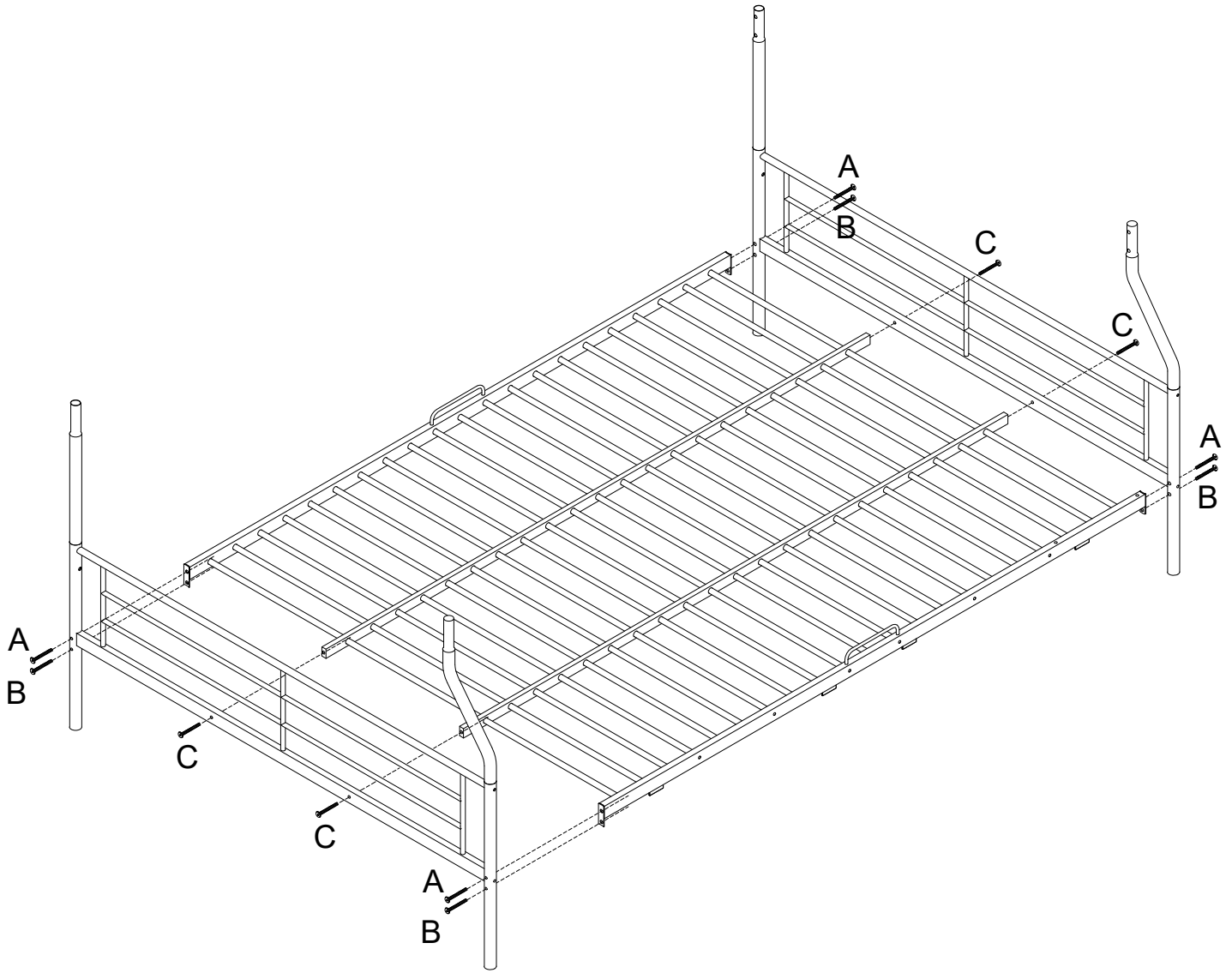
STEP 4

D
 M $\frac{1}{4}$ "x15
12 PCS





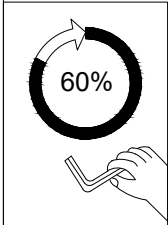
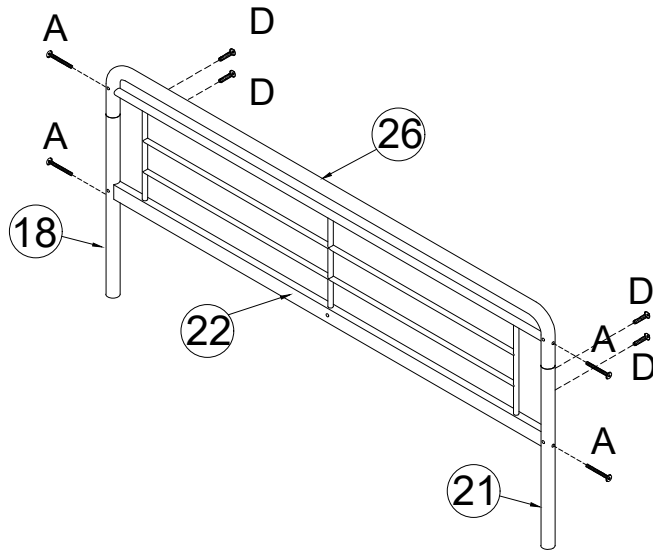
STEP 5

A	B	C
 M $\frac{1}{4}$ "x50	 M $\frac{1}{4}$ "x45	 M $\frac{1}{4}$ "x35
4 PCS	4 PCS	4 PCS





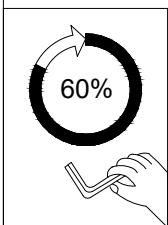
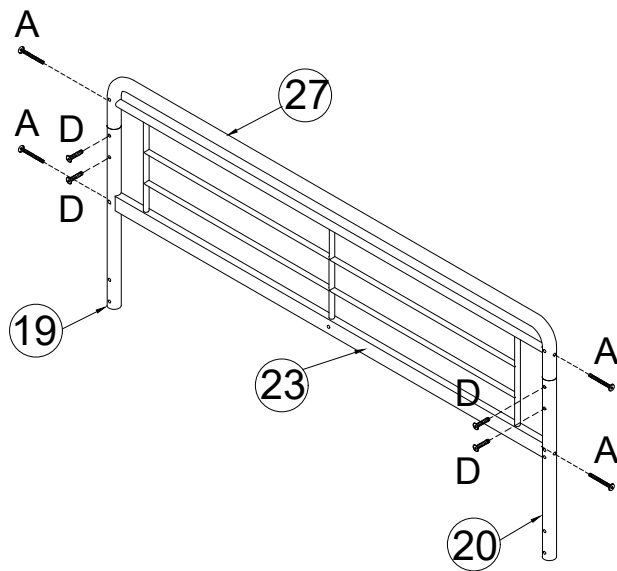
STEP 6

A	D
 M $\frac{1}{4}$ "x50	 M $\frac{1}{4}$ "x15
4 PCS	4 PCS




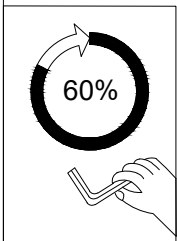
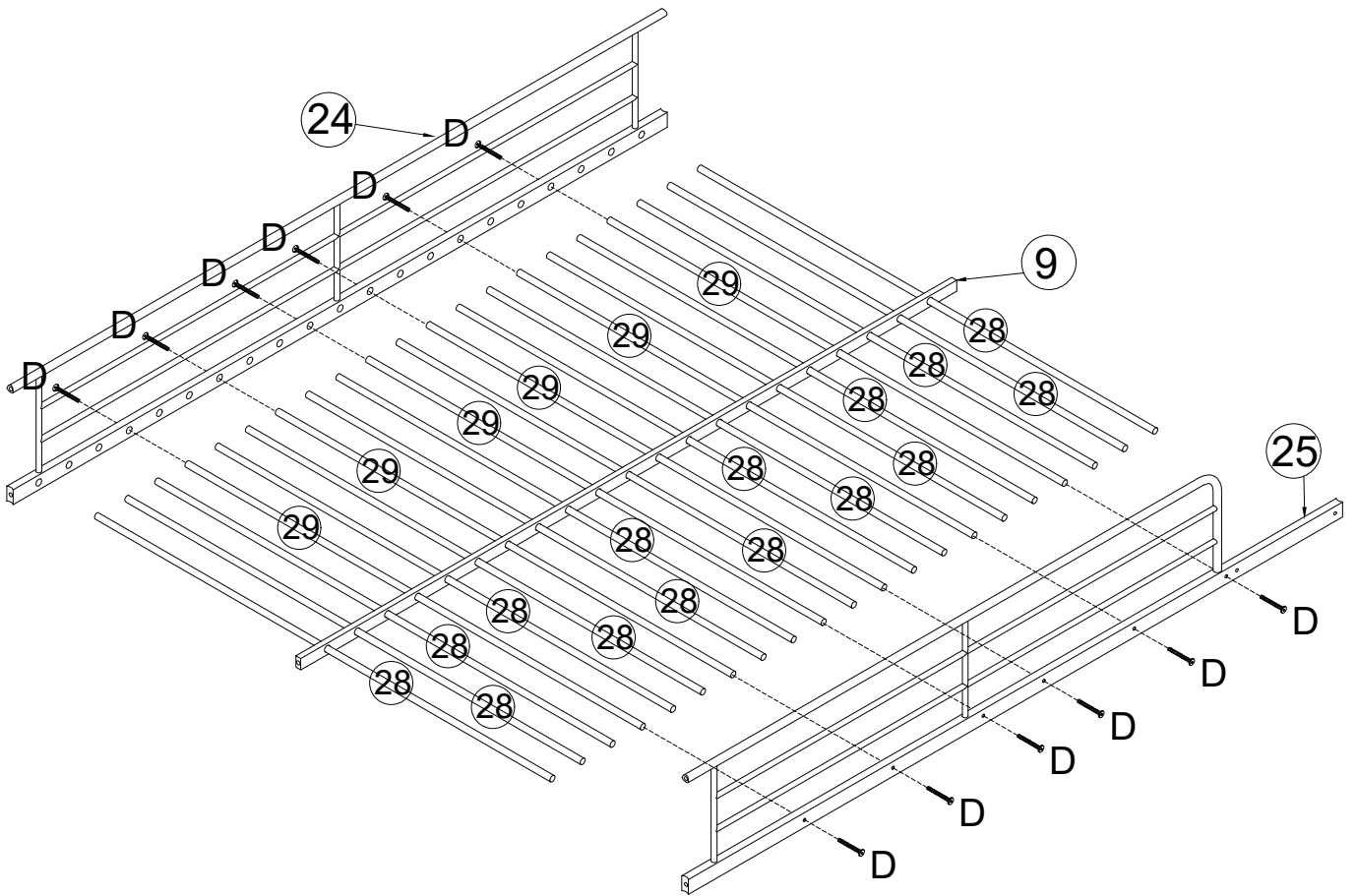
STEP 7

A	D
 M $\frac{1}{4}$ "x50	 M $\frac{1}{4}$ "x15
4 PCS	4 PCS





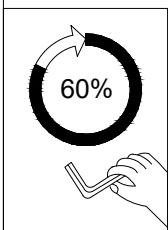
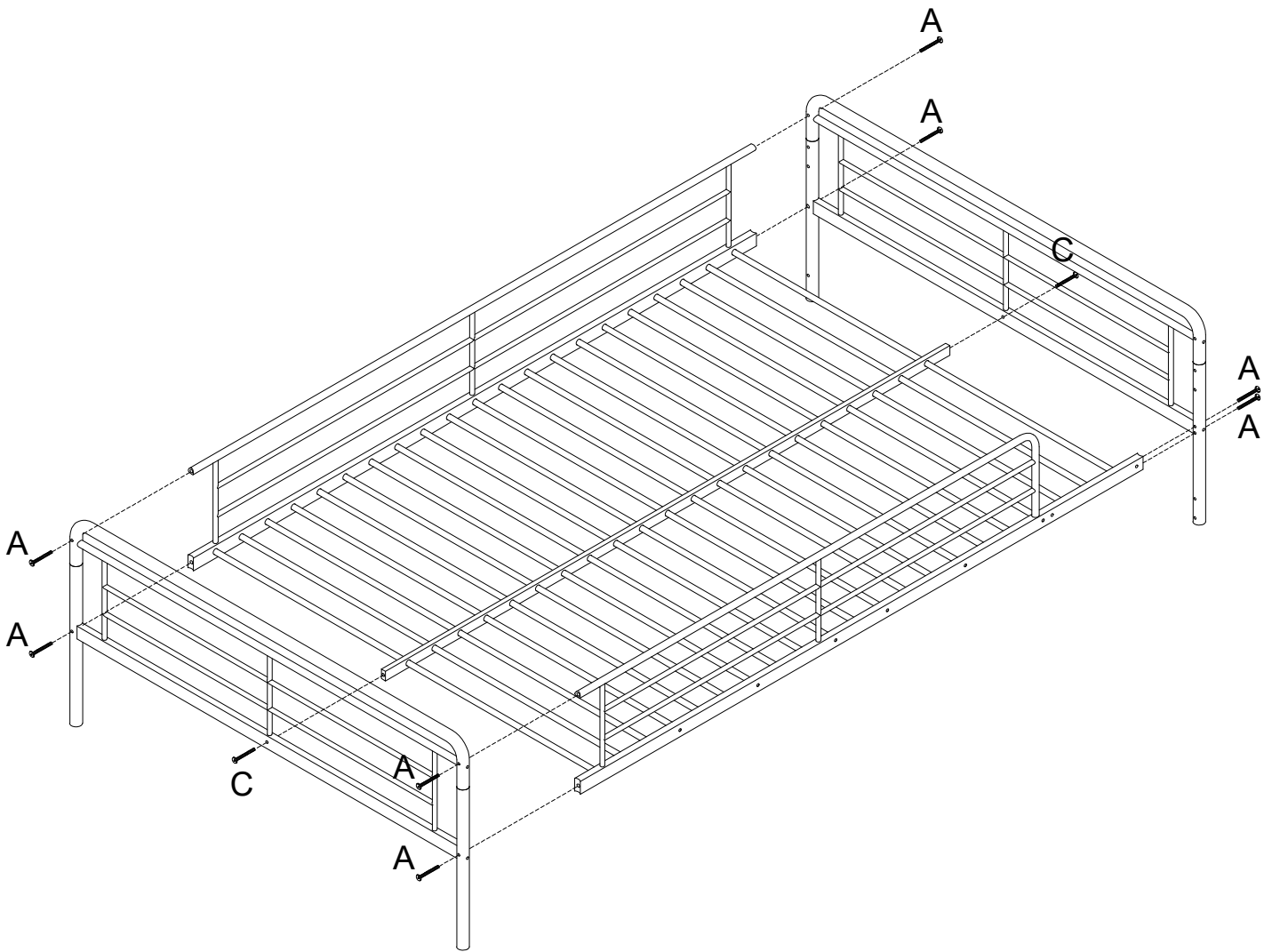
STEP 8

D
 M $\frac{1}{4}$ "x15
12 PCS



STEP 9

A	C
 M $\frac{1}{4}$ "x50	 M $\frac{1}{4}$ "x35
8 PCS	2 PCS

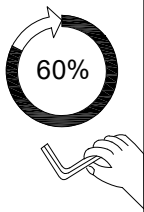
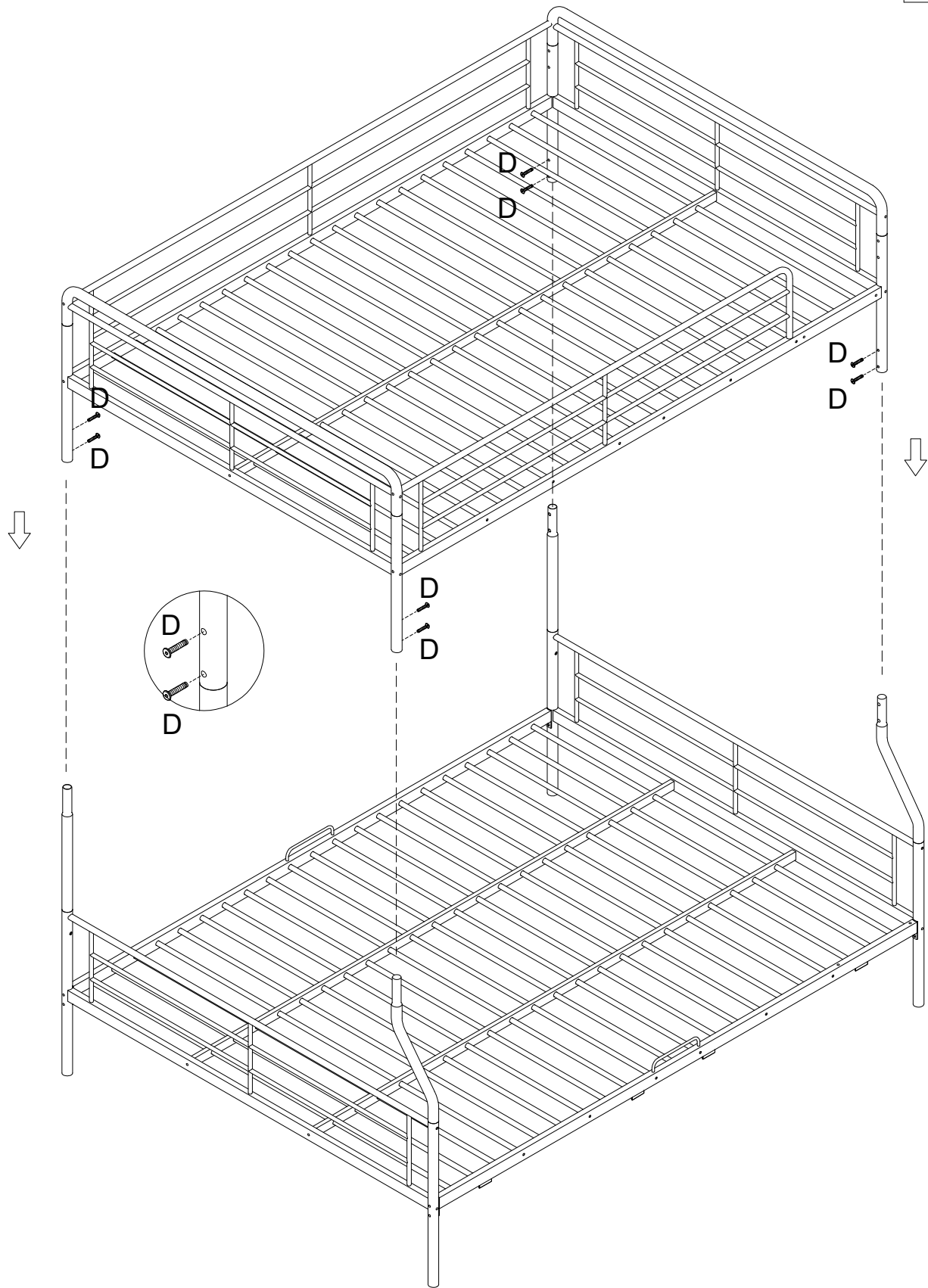


STEP 10

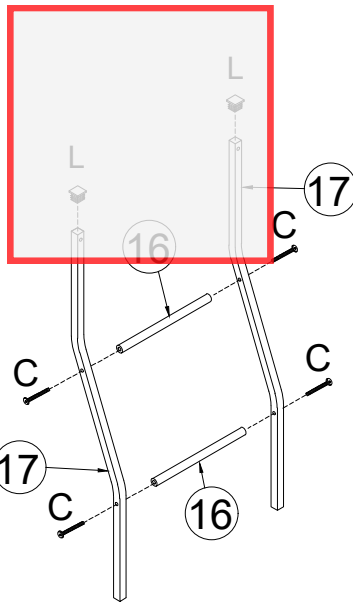
D

M $\frac{1}{4}$ x15

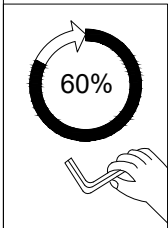
8 PCS



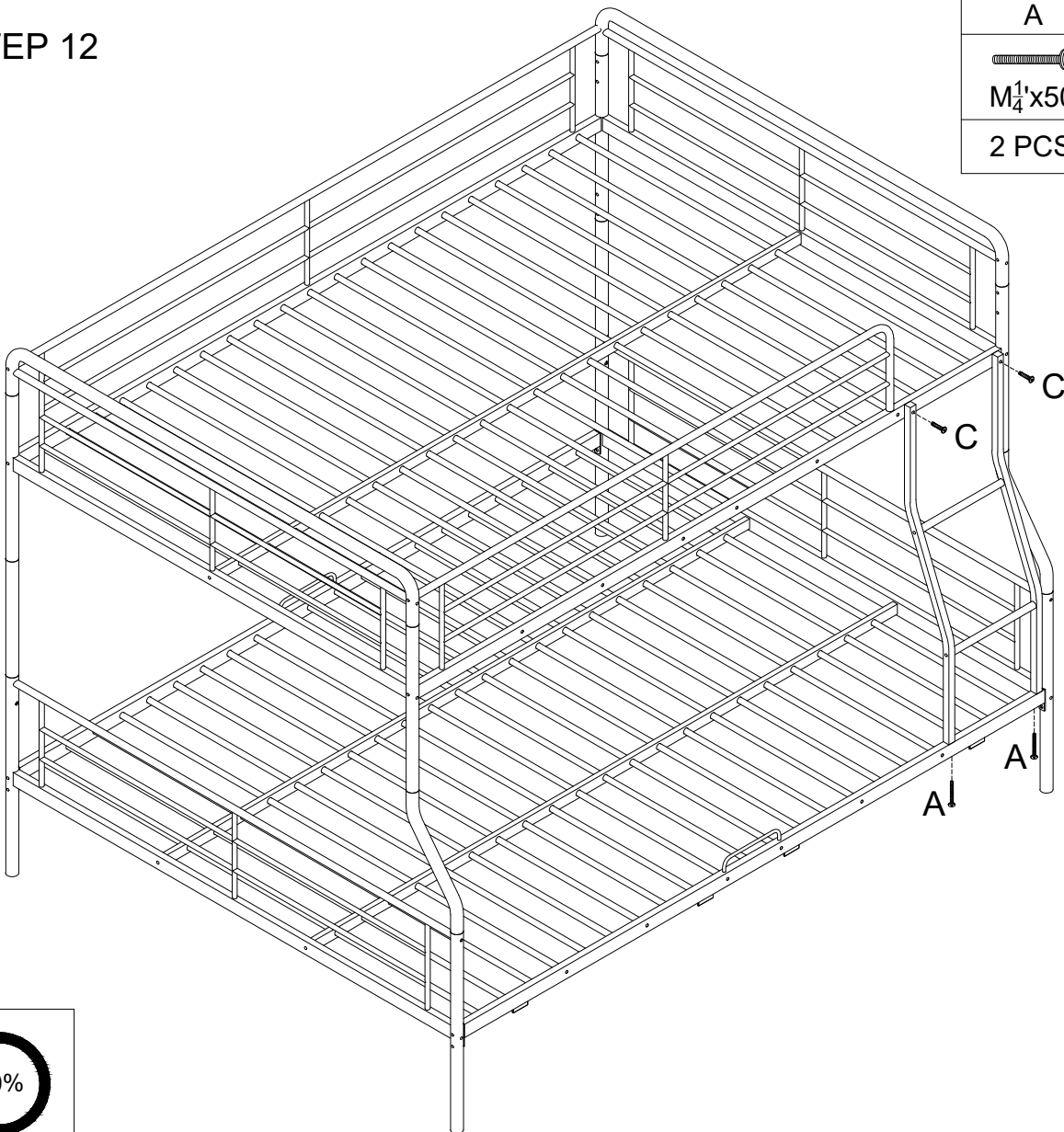
STEP 11



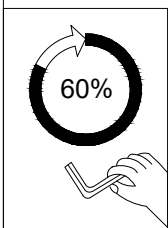
L	C
#20x20x13	M $\frac{1}{4}$ 'x35
2 PCS	4 PCS



STEP 12

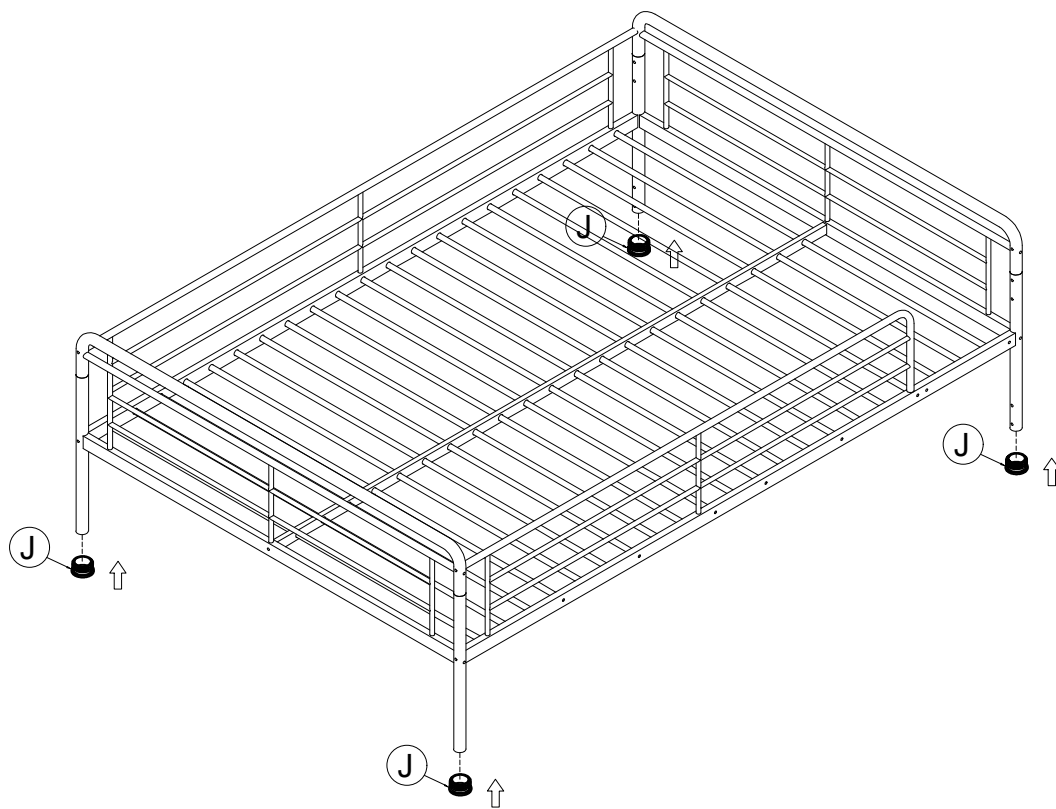


A	C
M $\frac{1}{4}$ 'x50	M $\frac{1}{4}$ 'x35
2 PCS	2 PCS



STEP 13

BED 2



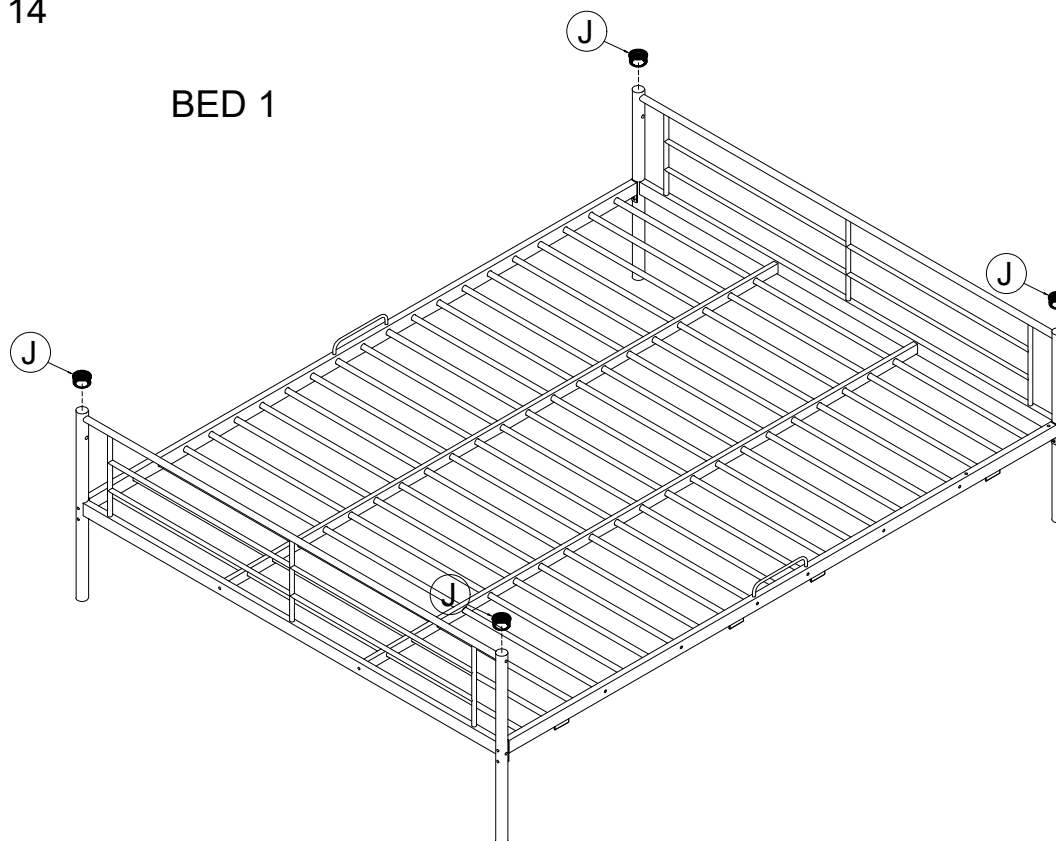
J

Ø32x16

4PCS

STEP 14

BED 1



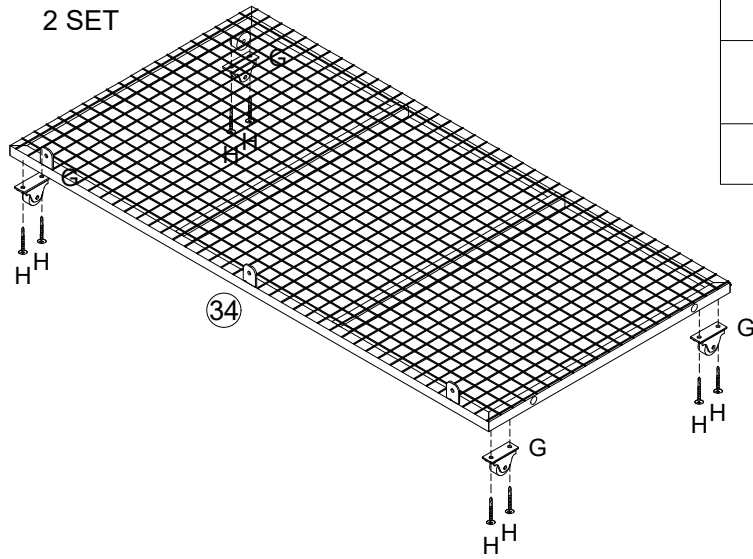
J


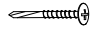
Ø32x16

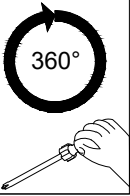
4PCS

STEP 15

2 SET

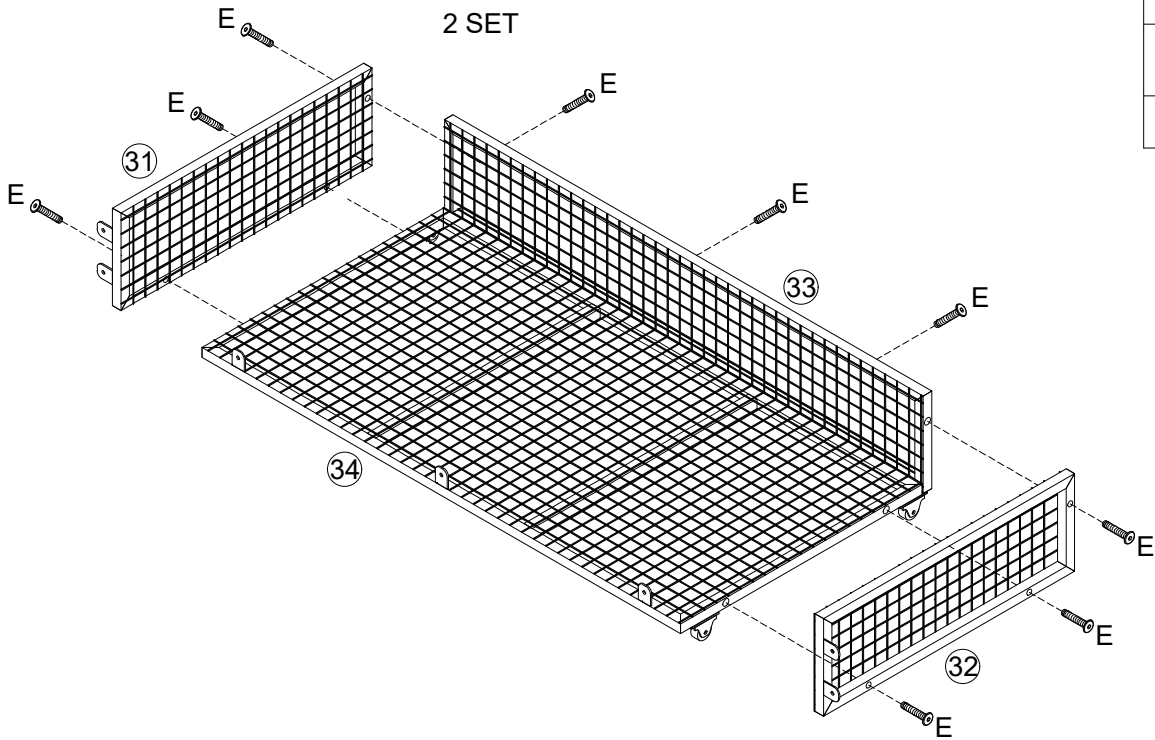


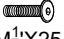
G	H
 15x20x40H	 M4x15
8 PCS	16 PCS

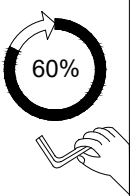


STEP 16

2 SET

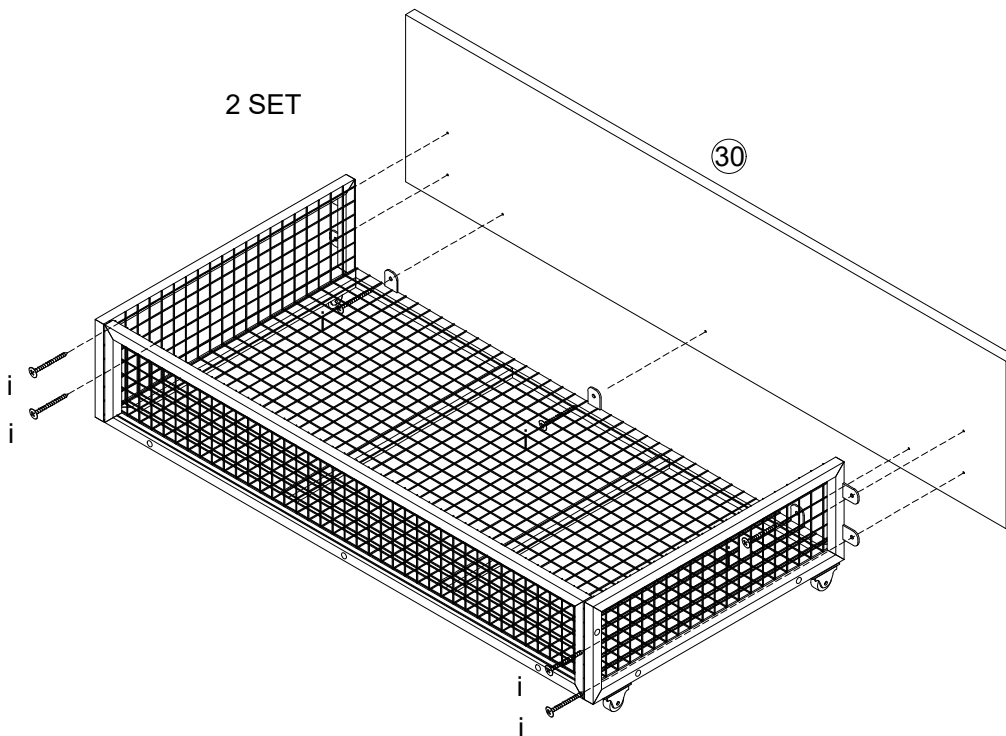


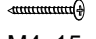
E
 M $\frac{1}{4}$ x25
18 PCS

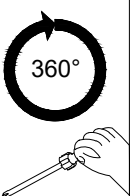


STEP 17

2 SET



i
 M4x15
14 PCS



STEP 17

