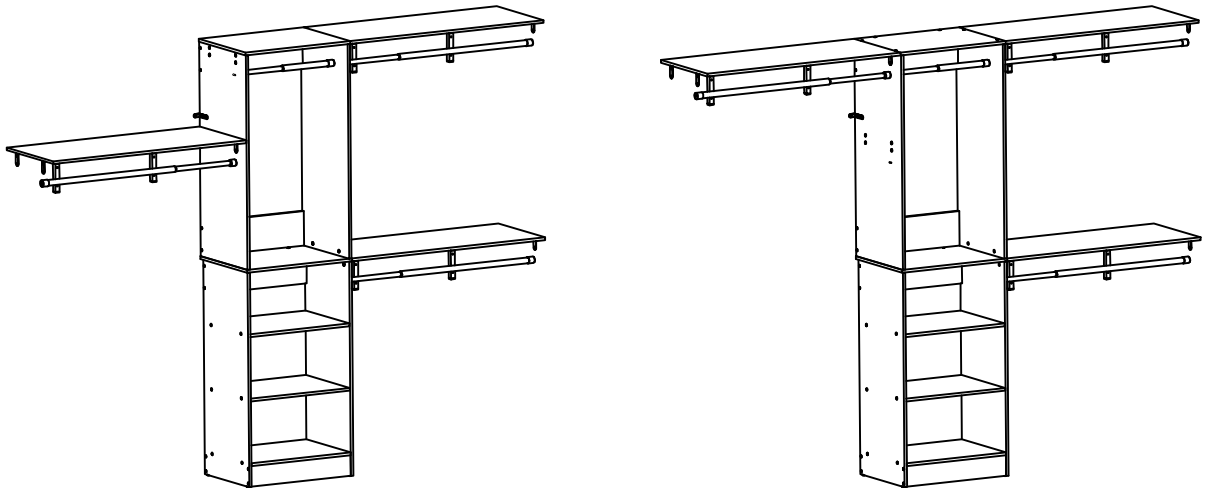




CLOSET SYSTEM

Assembly Instructions

AC-JYYGJCB_V1.0



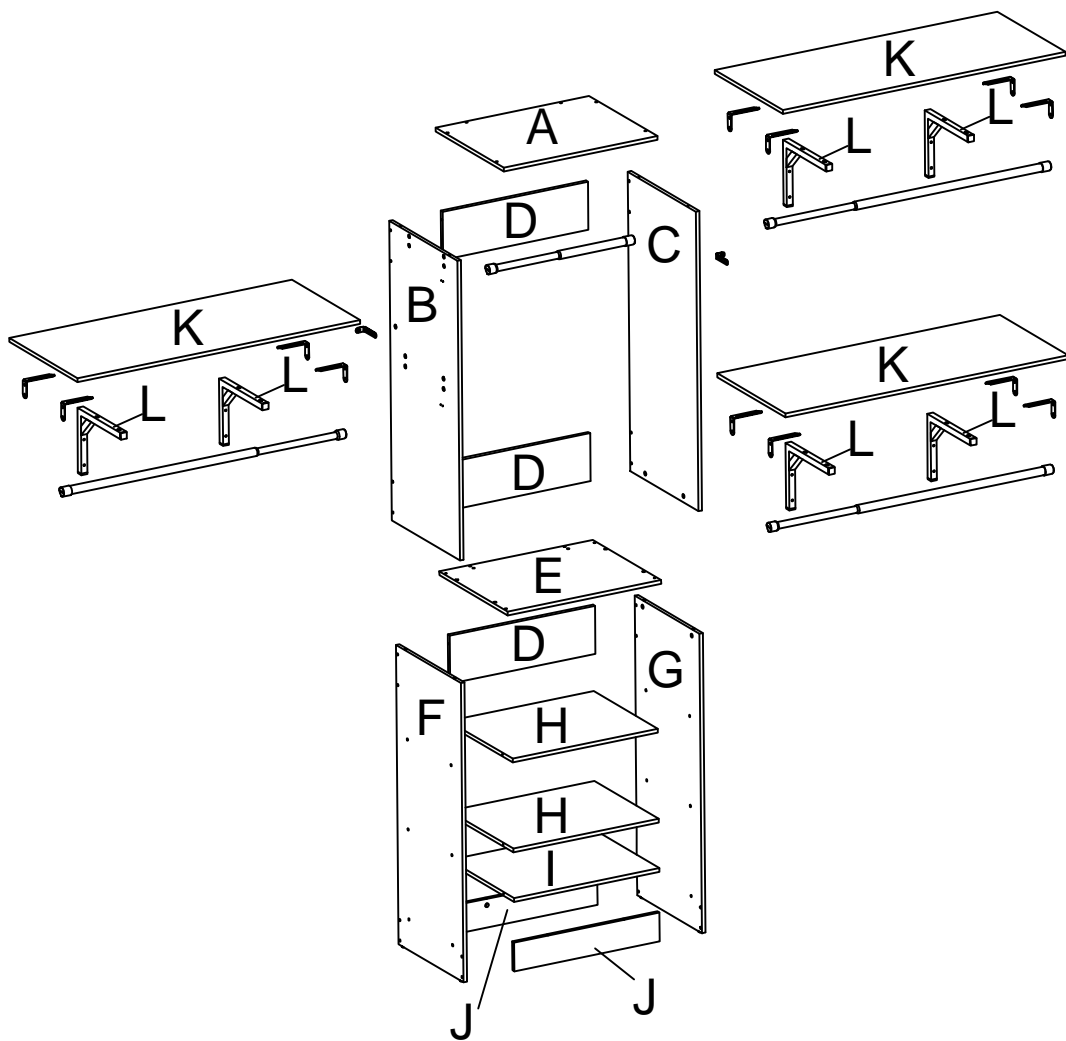
Attention: Please ensure you have all parts before commencing assembly.
Please read all the instructions before commencing.

Have problems when installing or missing parts?

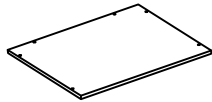
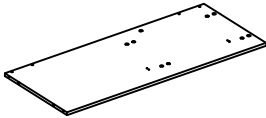
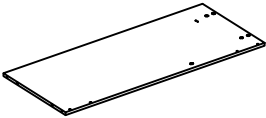

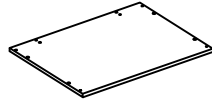
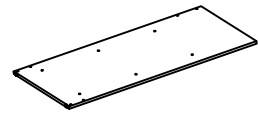
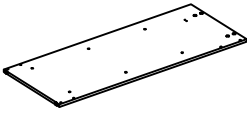
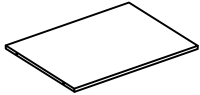
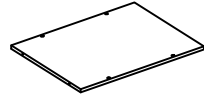

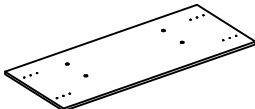
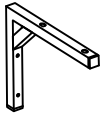
How to find us?

 support@armocity.com

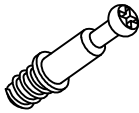


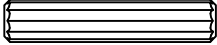
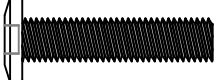
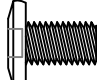






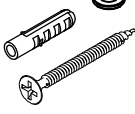
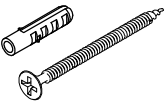
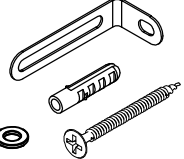
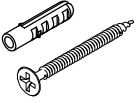



PART LIST



PART LIST

<p>A x 1pc</p> 	<p>B x 1pc</p> 	<p>C x 1pc</p> 	<p>D x 3pcs</p> 
<p>E x 1pc</p> 	<p>F x 1pc</p> 	<p>G x 1pc</p> 	<p>H x 2pcs</p> 
<p>I x 1pc</p> 	<p>J x 2pcs</p> 	<p>K x 3pcs</p> 	<p>L x 6pcs</p> 

HARDWARE LIST

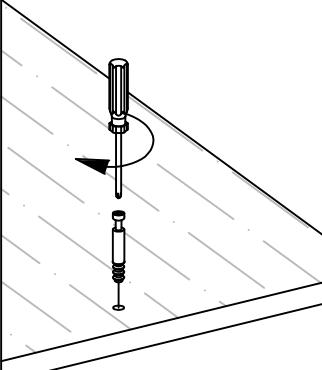
①  M6x28 12 pcs	②  Ø12 12 pcs	③  M6x40 42 pcs	④  M6x30 4 pcs
⑤  M6x27 12 pcs	⑥  M6x10 14 pcs	⑦  100x55 12 pcs	⑧  M4x12 24 pcs
⑨  56-100cm 3 pcs	⑩  31-51cm 1 pcs	⑪  4 pcs	⑫  4 pcs
⑬  M4x40 12 pcs	⑭  M4x60 12 pcs	⑮  M4x40 2 pcs	⑯  M4x40 6 pcs
⑰  M4x12 10 pcs	⑱  M4 1 pc	⑲  1 pc	

Please count and verify all parts before assembly.

How to install Camlocks

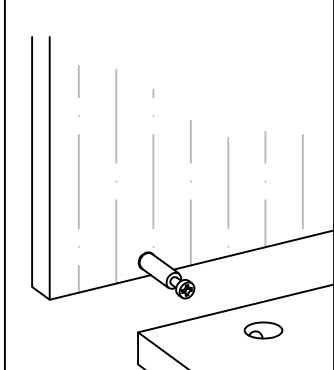
Connect the male camlock as directed in the assembly instructions with a screwdriver.

1 DO NOT OVER TIGHTEN



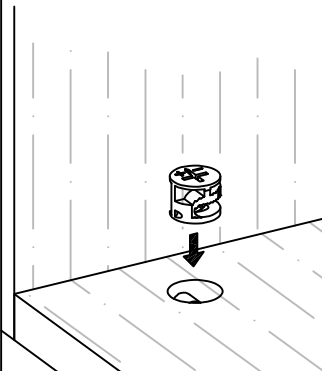
Put the male camlock into the entry hole.

2



Insert the female camlock as shown in the instruction.
Note: ensure that the arrow on the top of the camlock points toward the entry hole for the male camlock.

3

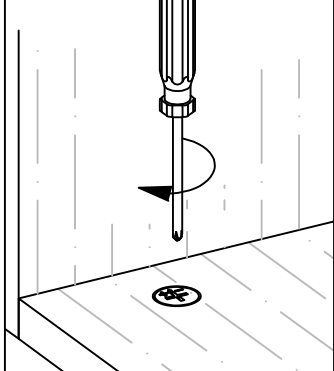


Screw the female camlock clockwise with a screwdriver.

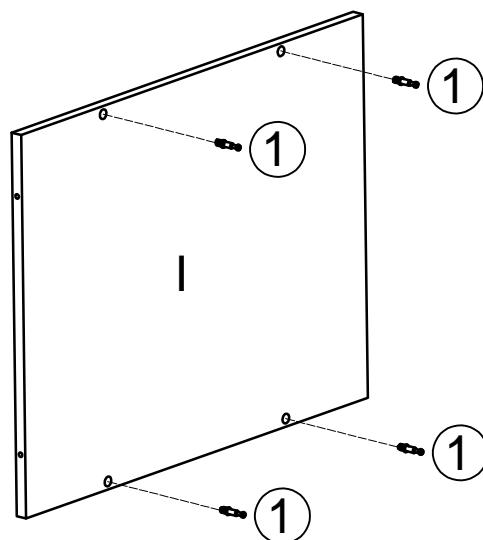
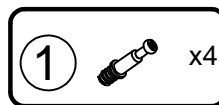
You will feel a click when the camlock is locked in place.

The camlock is now completed.

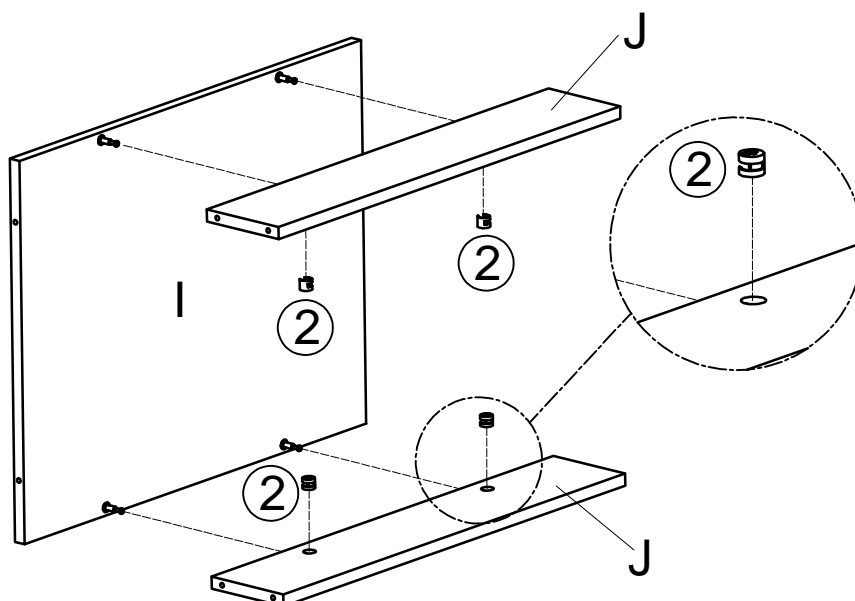
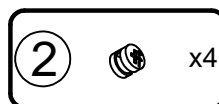
4



STEP 1

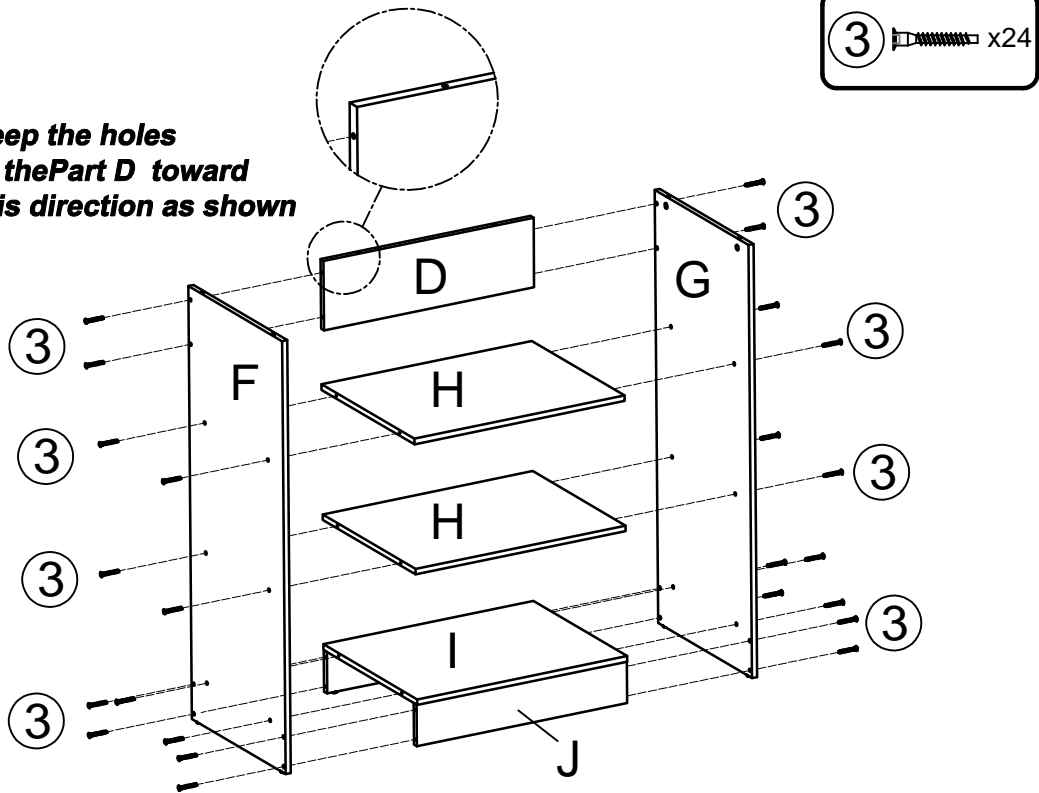


STEP 2

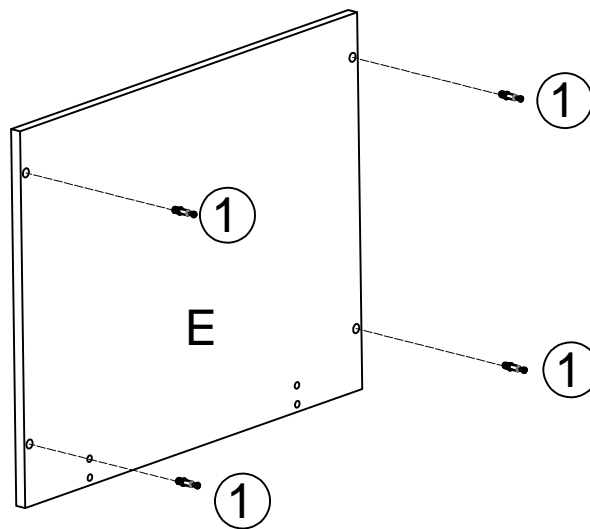


STEP 3

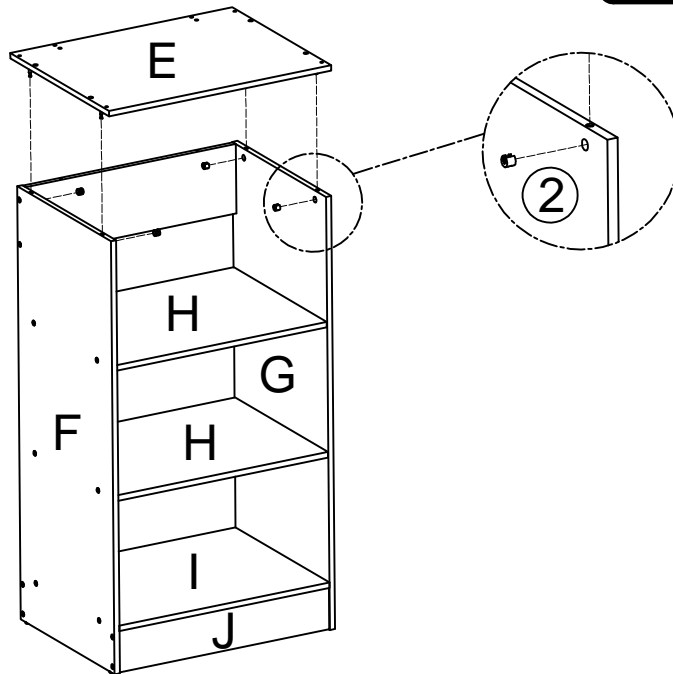
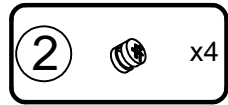
**Keep the holes
of the Part D toward
this direction as shown**



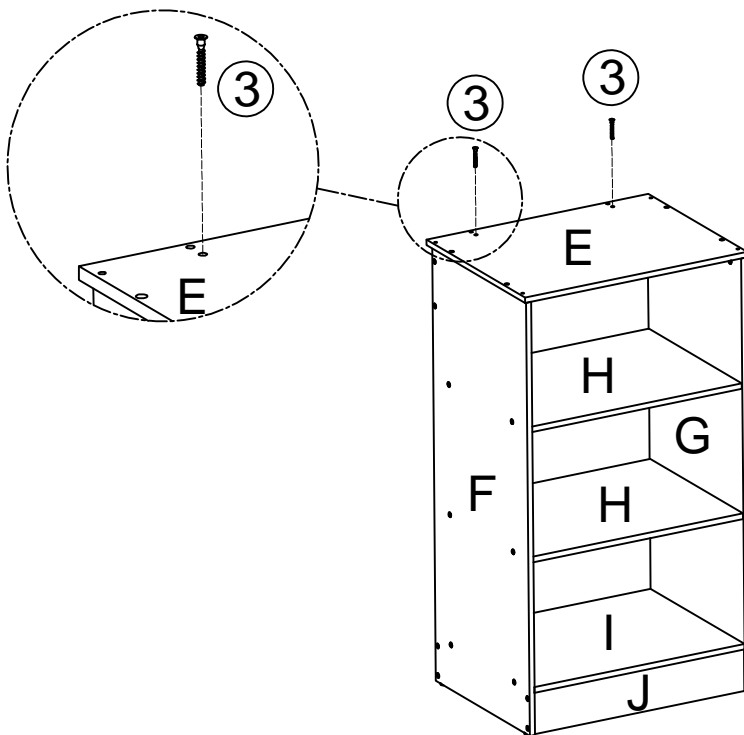
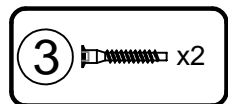
STEP 4



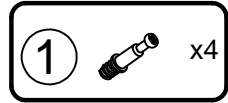
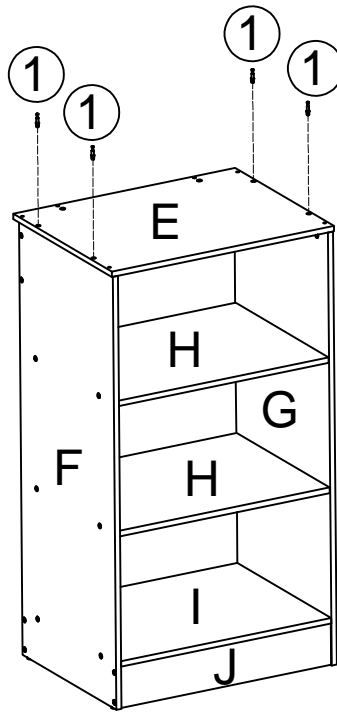
STEP 5



STEP 6

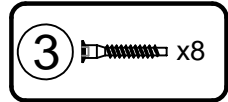
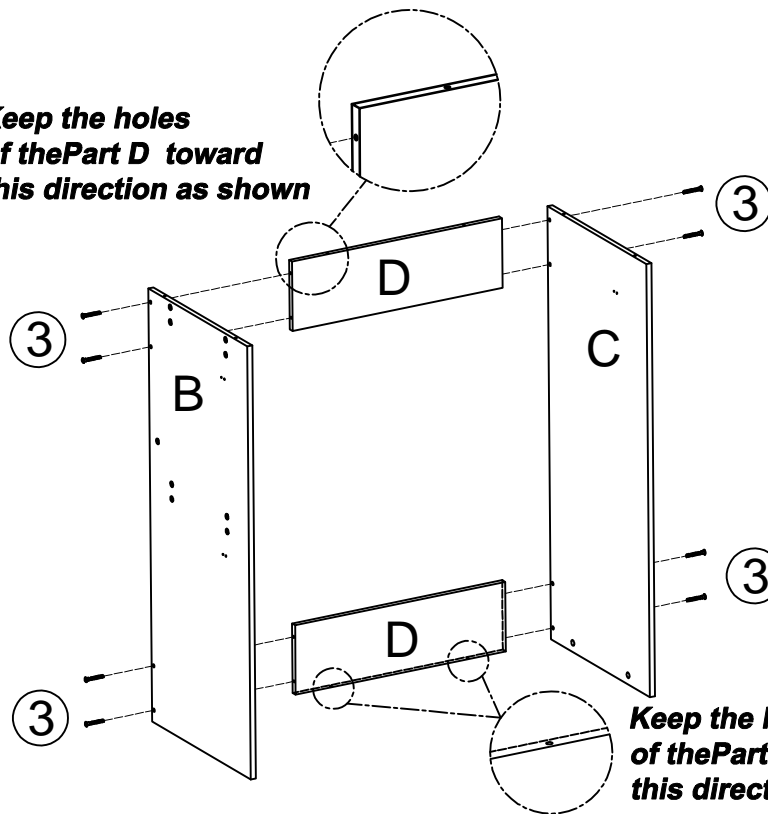


STEP 7



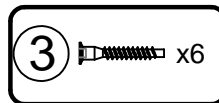
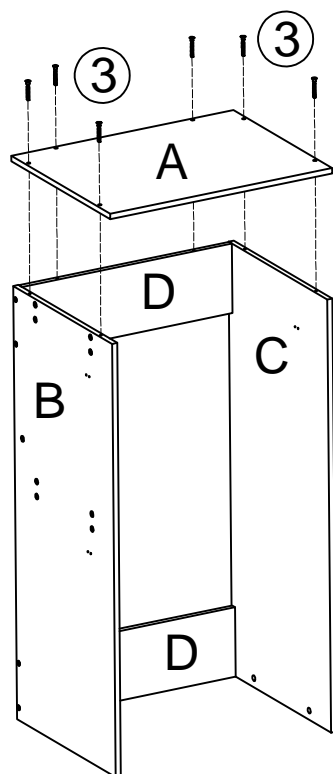
STEP 8

Keep the holes of the Part D toward this direction as shown

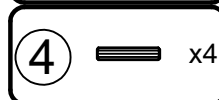
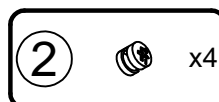
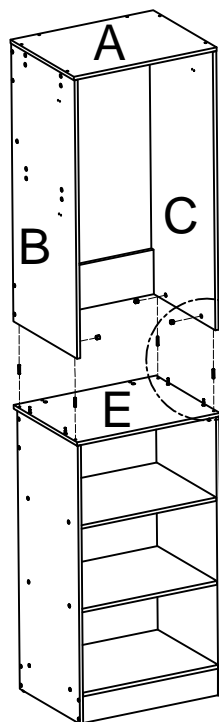


Keep the holes of the Part D toward this direction as shown

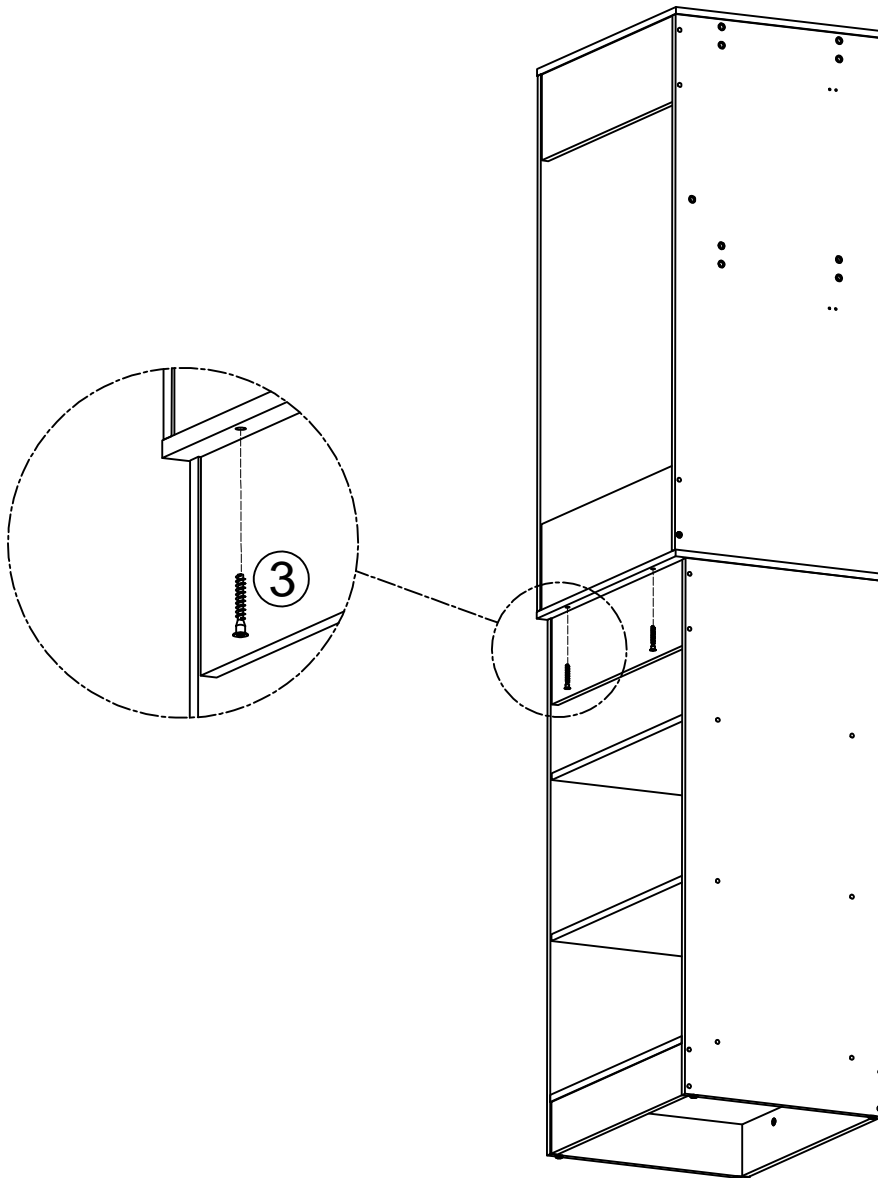
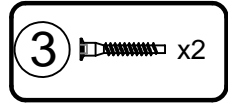
STEP 9



STEP 10



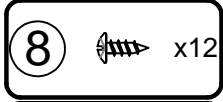
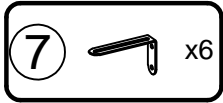
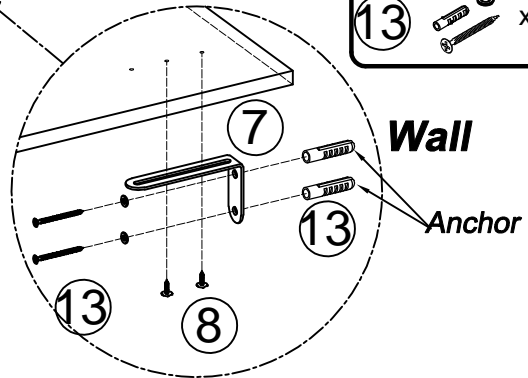
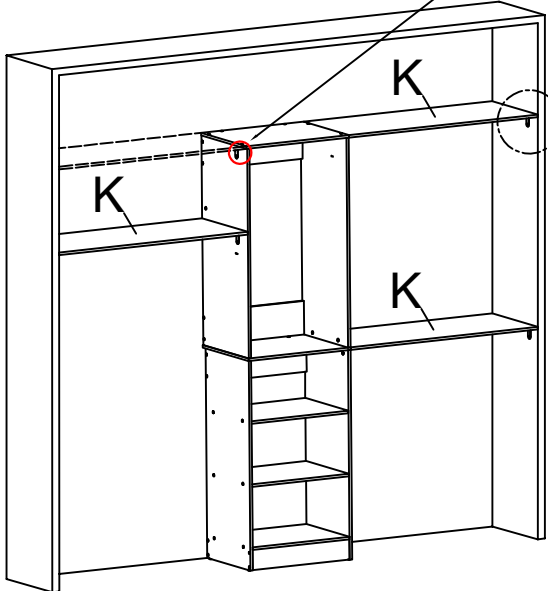
STEP 11



STEP 12

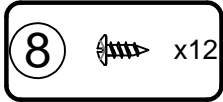
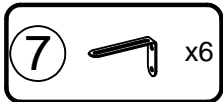
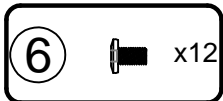
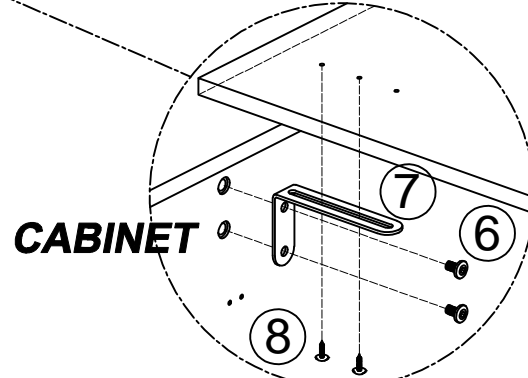
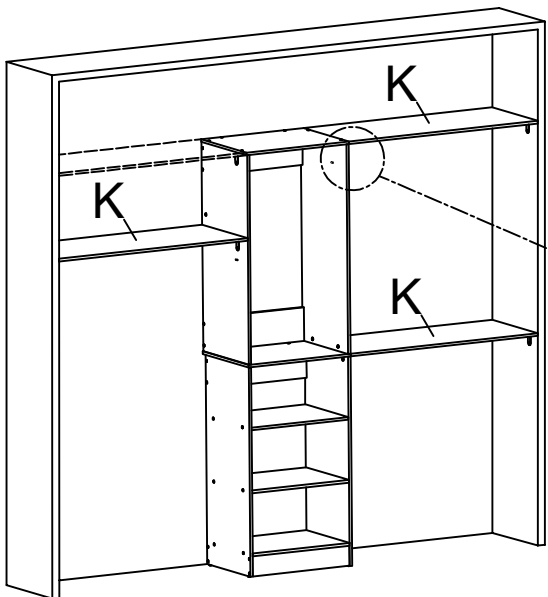
Long Shelf Installation

There are 2 heights for the Left shelf and pole to be adjusted as you need.



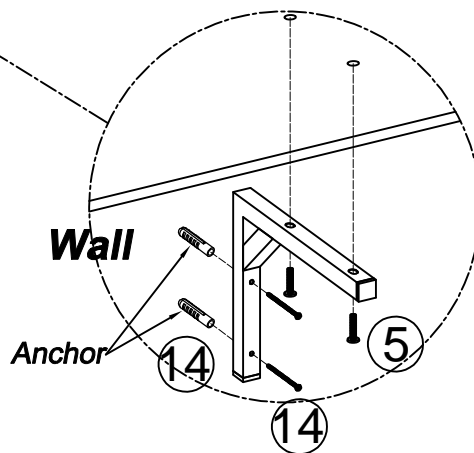
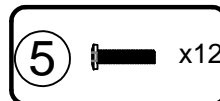
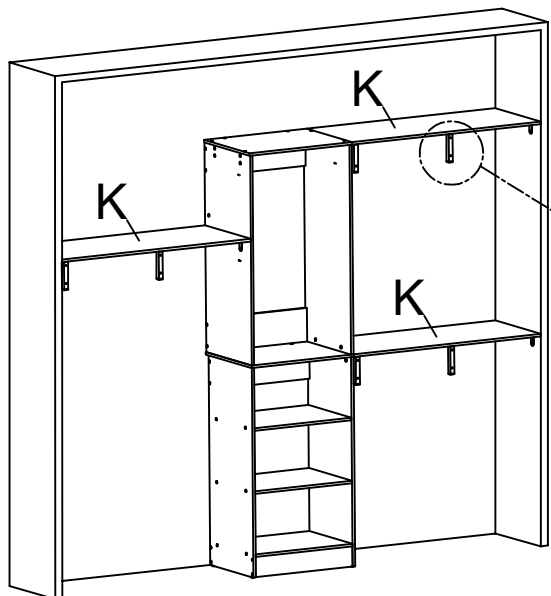
Note: If long shelf (K) needs cut to fit inside your closet space, cut only one side of the shelf and do not use a hacksaw. It is recommended you hire an insured remodeler for this type of installation.

STEP 13

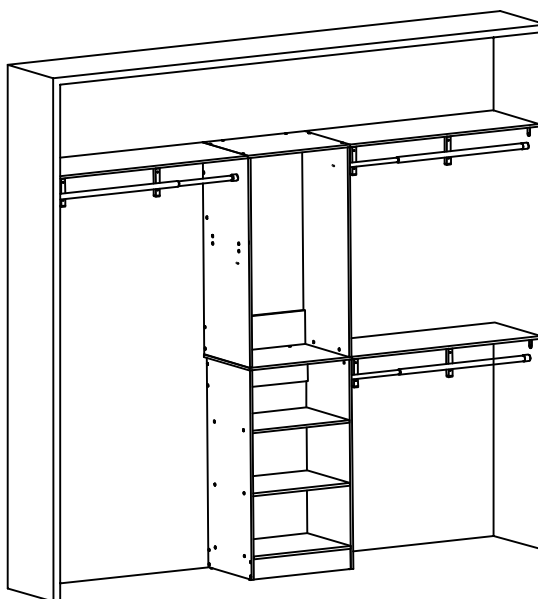


CABINET

STEP 14

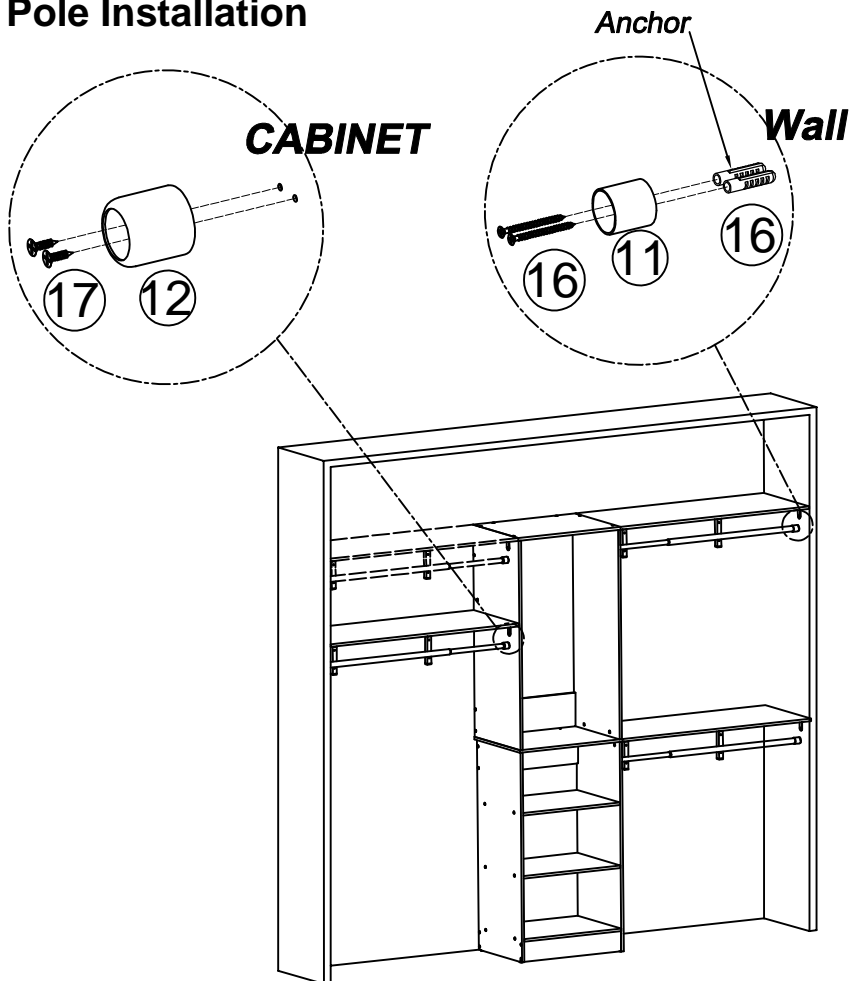


OR



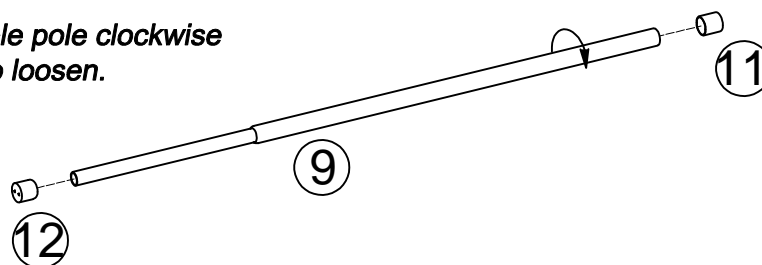
STEP 15

Pole Installation



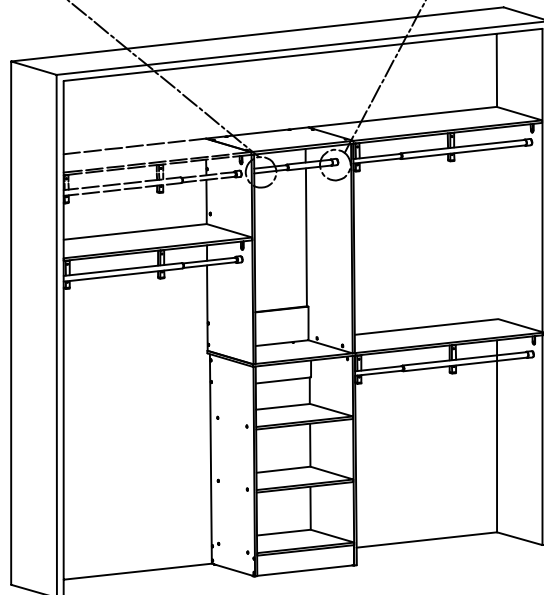
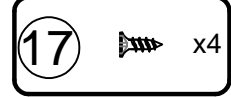
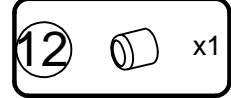
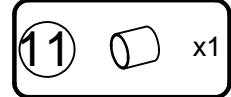
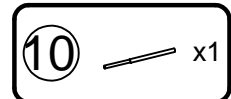
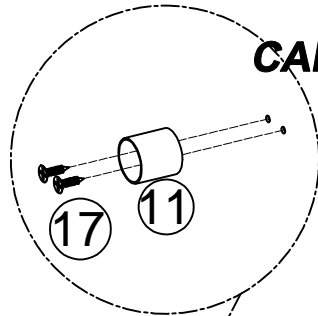
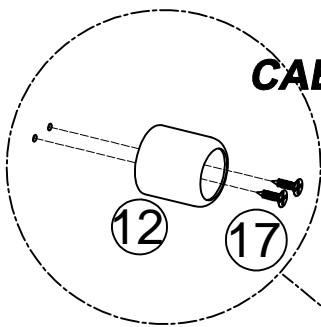
- 9 x3
- 11 x3
- 12 x3
- 16 x6
- 17 x6

Note: Twist the expandable pole clockwise to tighten. anticlockwise to loosen.

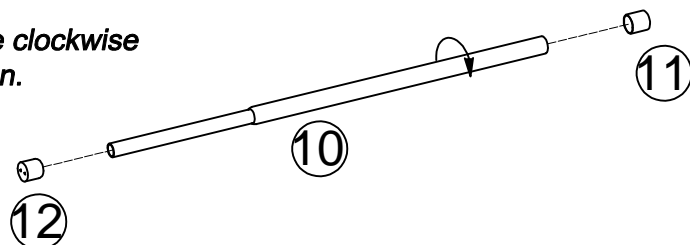


STEP 16

Pole Installation



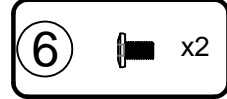
Note: Twist the expandable pole clockwise to tighten. anticlockwise to loosen.



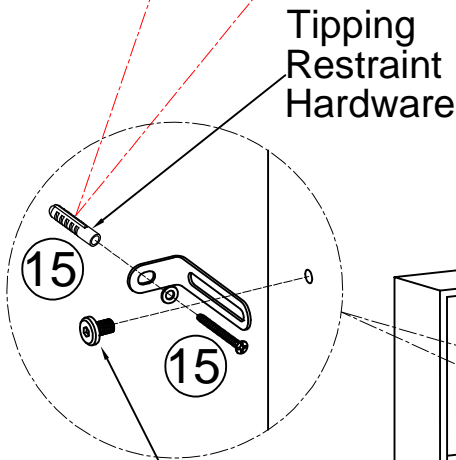
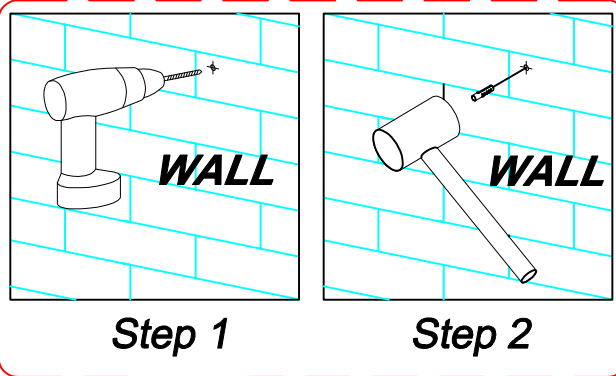
STEP 17

TIPPING RESTRAINT HARDWARE

Note: We have included two Tipping Restraint Hardware set for this Unit. When properly installed, this restraint can provide protection against the unexpected tipping of the Unit due to small tremors, bumps or climbing. We strongly recommend mounting this hardware to a wall stud and your Unit.



Note: You must install the Tipping Restraint Hardware with the unit in use to prevent any accidents or damage to the unit.



screw first, then install Part ⑥.

