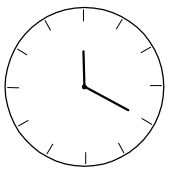


Icon: Tools (wrench and screwdriver) and a crossed-out power drill.

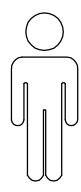
Warning:



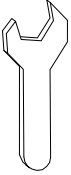
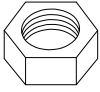
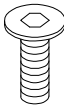

20'

Icon: A block being placed on a surface and a crossed-out block being lifted.

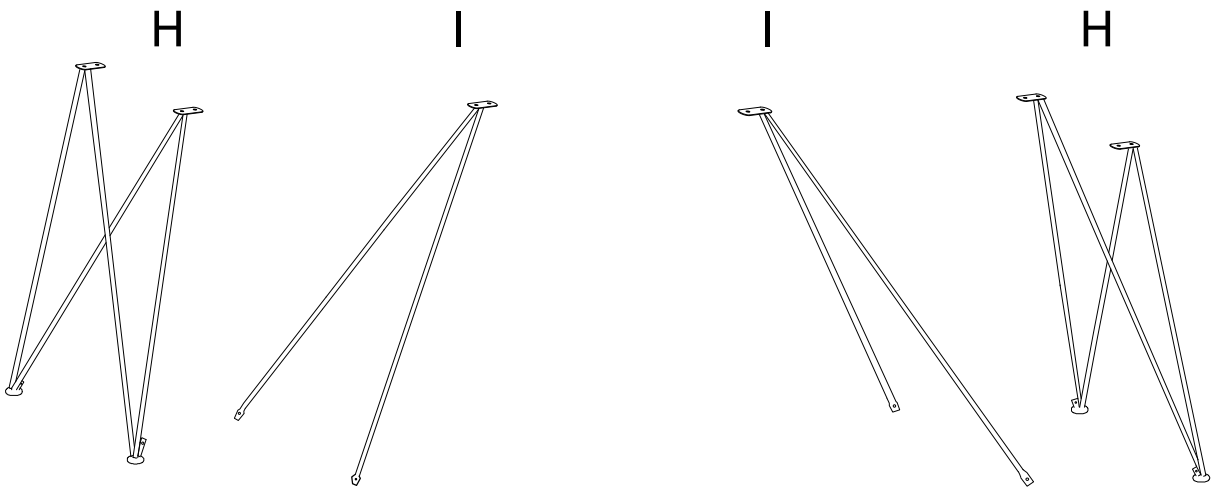
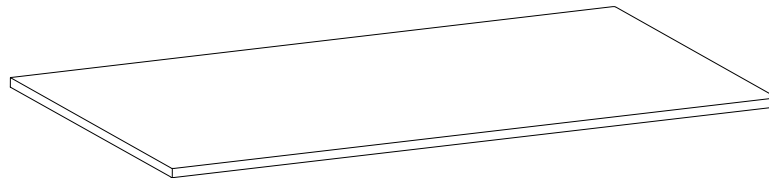
Warning:

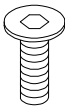
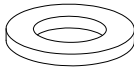





2

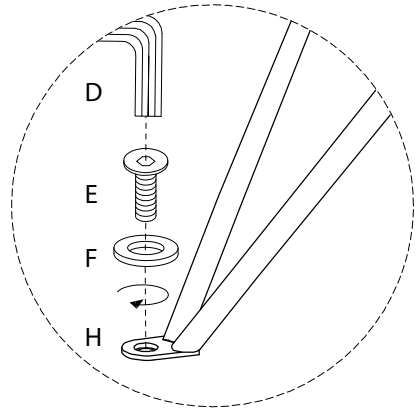
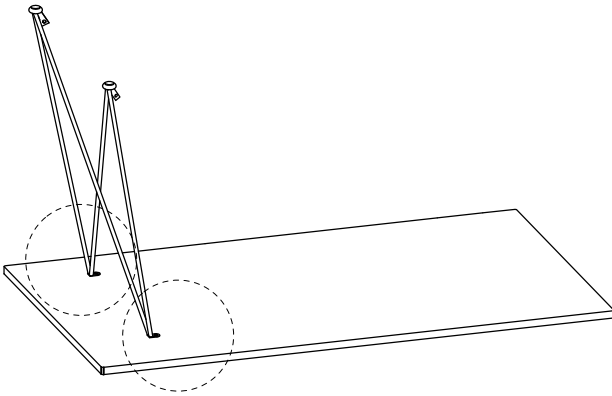
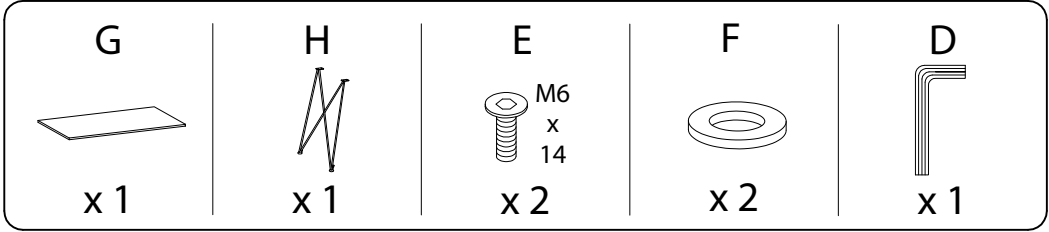
<b>A</b>	<b>B</b>	<b>C</b>	<b>D</b>
		 M6 x 20	
<b>x 1</b>	<b>x 4</b>	<b>x 4</b>	<b>x 1</b>

**G**

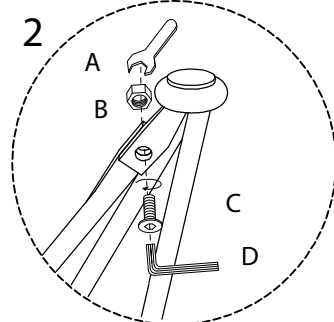
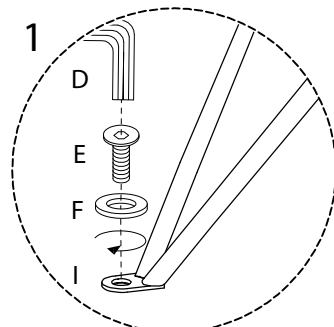
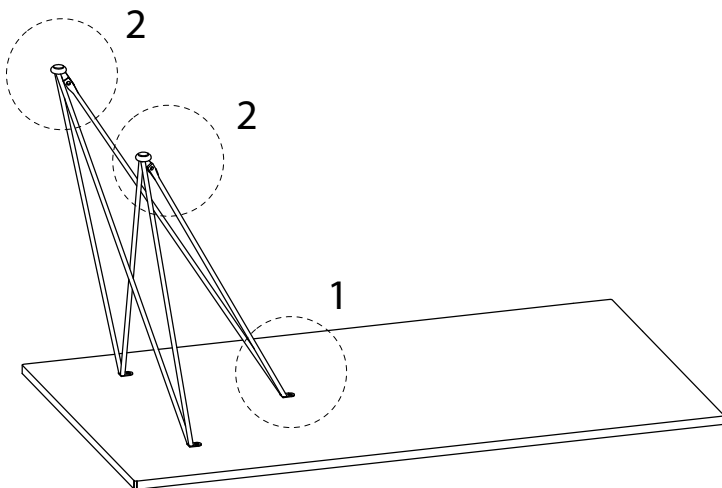
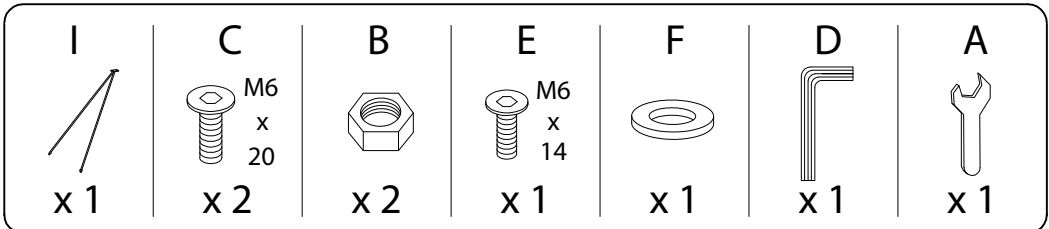


<b>E</b>	<b>F</b>	<b>G</b>	<b>H</b>	<b>I</b>
 M6 x 14				
<b>x 6</b>	<b>x 6</b>	<b>x 1</b>	<b>x 2</b>	<b>x 2</b>

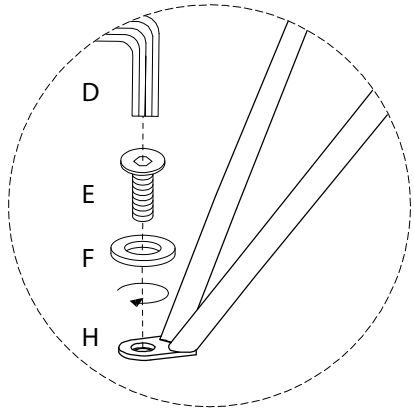
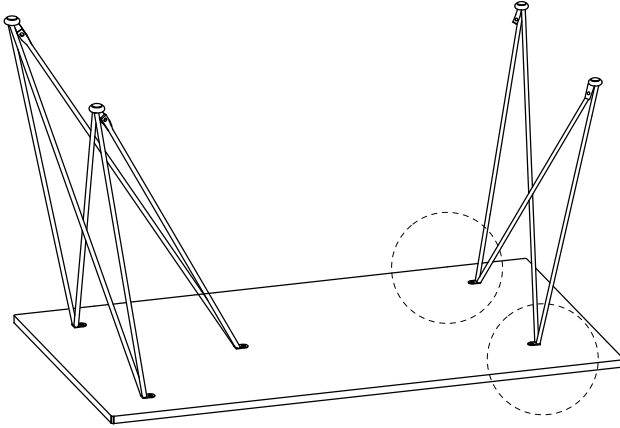
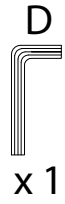
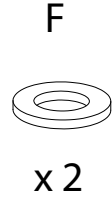
1



2



3



4

