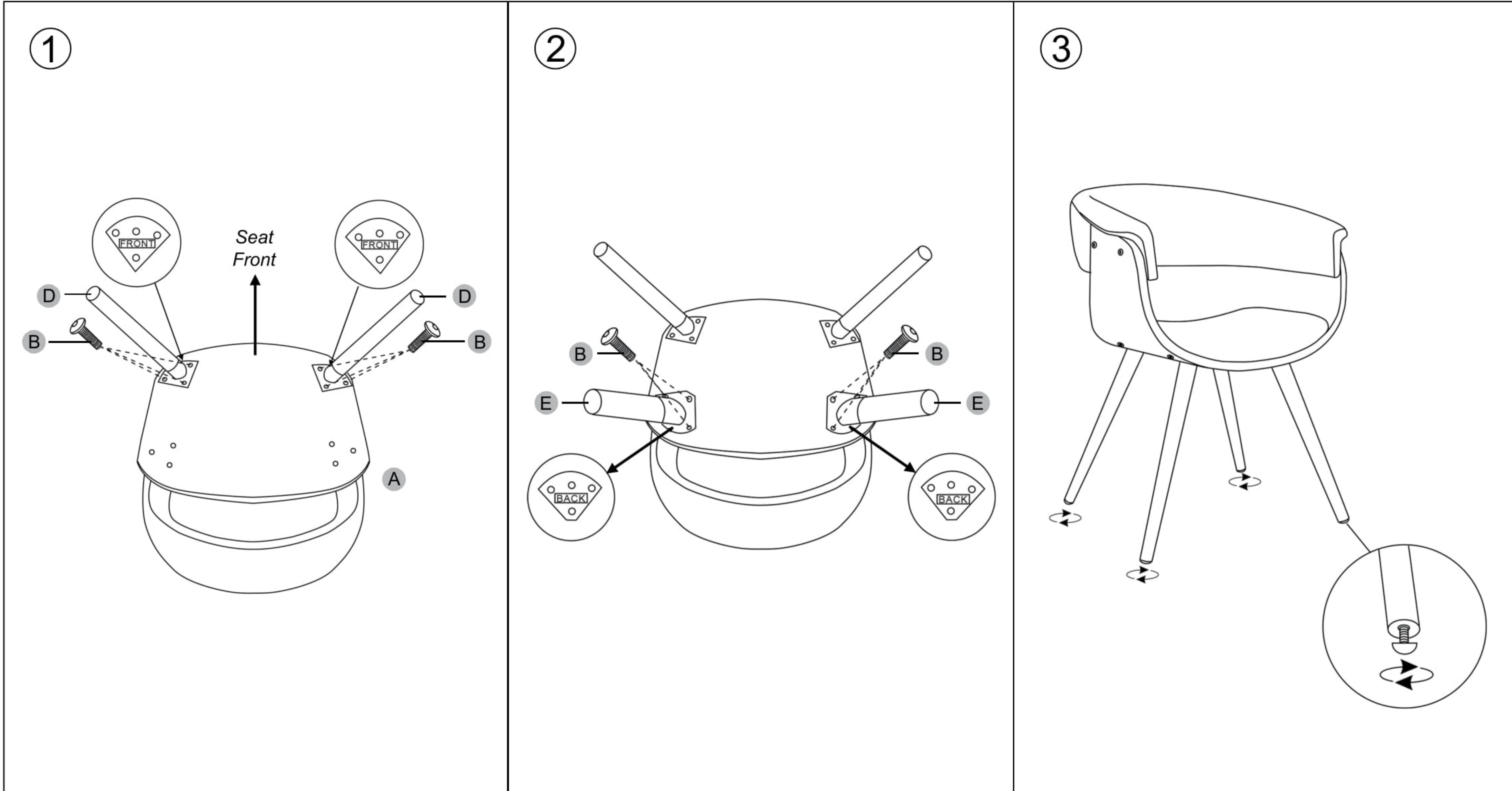
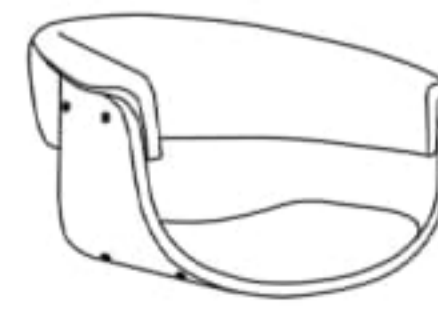
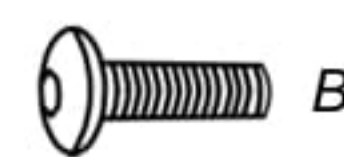

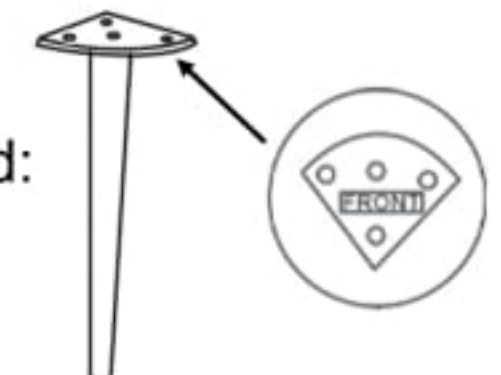
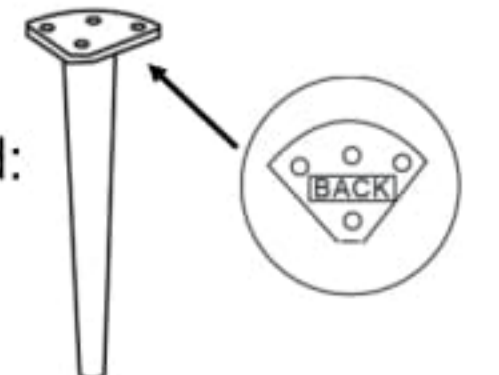


 **Assembly Tips:**

- **STEP 1** - Ensure the legs labeled "FRONT" are positioned at the front.
- **STEP 2** - Ensure the legs labeled "BACK" are positioned at the back.
- **STEP 3** - Twist "Adjustable foot caps" as needed for uneven ground.



A  x1	B  M6*20 mm x12	C  M6 x1	D Labeled: Front  x2	E Labeled: Back  x2
---	--	---	---	--