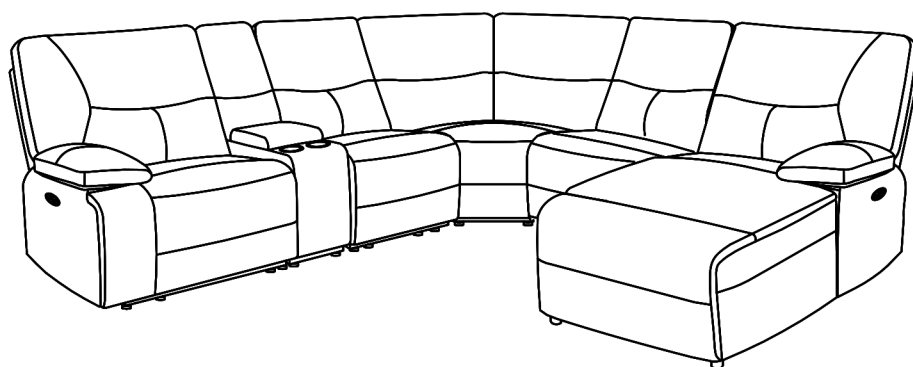


ASSEMBLY INSTRUCTIONS

TOOLS REQUIRED



Socket Wrench
(Included)



2 - People
Recommended

ASSEMBLY RATING



EASY —————> DIFFICULT

The Assembly Rating is a 5-point system showing the level of effort needed to assemble a specific product.



CHECK BEFORE STARTING

Are you missing anything?

Double-check all parts, hardware and accessories listed on Page 6 are accounted for.

Check out our Quick Tips!

We recommend reviewing the pre-assembly handouts. Even experts need a refresher now and then!

Should we send any replacements?

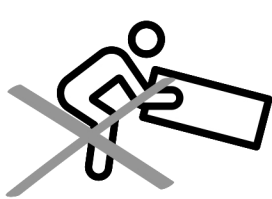
Are there any irregularities or flaws in the parts? We can send replacements!

Prep Time!

Please review the assembly instructions and all diagrams prior to assembling. Arrange parts as recommended on Page 7 and group identical hardware together to make assembling easier.

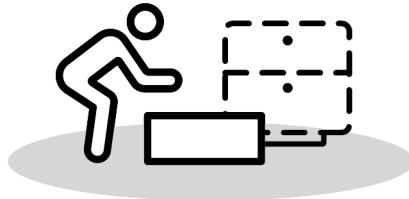
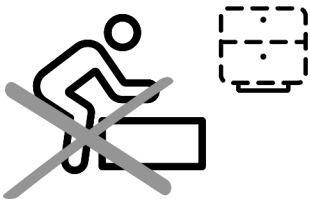
PRE ASSEMBLY INTRODUCTION

We understand building ready-to-assemble furniture can be a challenging experience for some. To help avoid confusion, we have provided some helpful tips that may speed up the process.



Teamwork

ALWAYS have at least two people to help with transporting and assembling the product to avoid potential injury and/or damage.



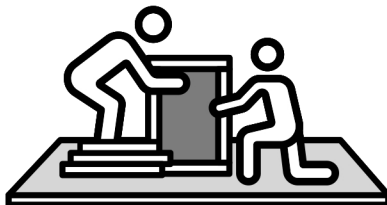
Suitable Location

Assembling near the area of the intended location is highly recommended.



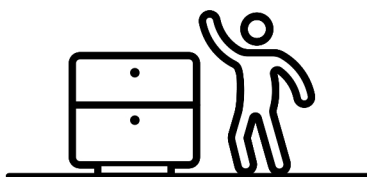
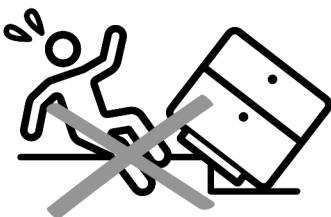
Sufficient Space

Make sure you have enough space to move around during the assembly.



Avoid Scratches

Use cardboard, blankets or a carpeted area while assembling furniture to prevent scratches.



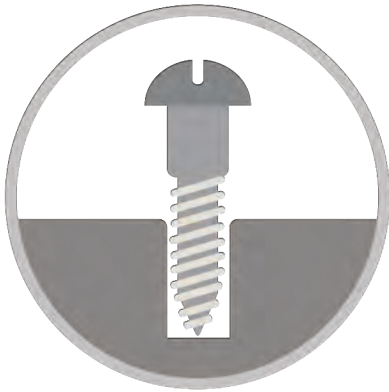
Flat Surface

Make sure the furniture rests on a flat and level surface with each leg evenly touching the floor.

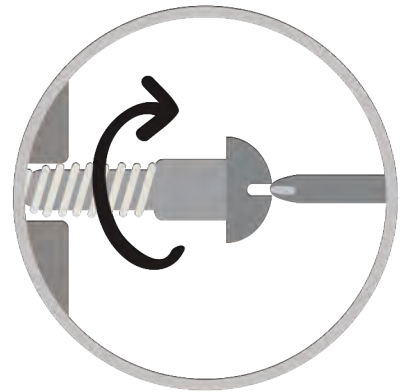
ASSEMBLY AND CARE ADVICE



FAILURE TO FOLLOW THE GUIDELINES BELOW MAY RESULT IN INJURY AND/OR PROPERTY DAMAGE.



Position each part correctly and insert screws or bolts into their respective holes.



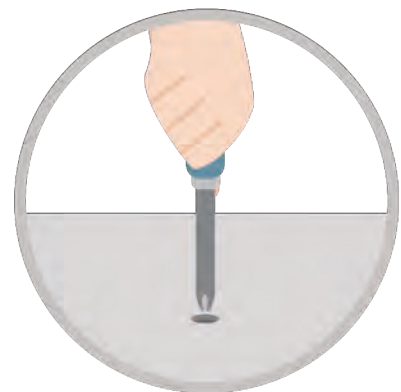
Turn clockwise to tighten and only tighten when step is completed or when instructed to do so.



Use the appropriate hand tools or power tools for assembly. Select steps, such as tightening screws and/or bolts, may require hand tools to avoid causing damage during assembly.



Save the instructions and store any supplied tools for later maintenance.



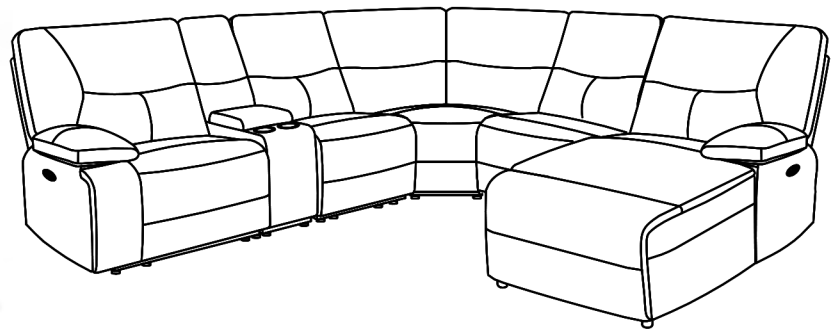
After two weeks, check and tighten any loose hardware and repeat again every six months thereafter.

IT IS THE USER'S RESPONSIBILITY TO MAINTAIN THE FURNITURE. THE HARDWARE MAY LOOSEN OVER TIME AND MAY CAUSE THE FURNITURE TO BE WOBBLY AND UNABLE TO SUPPORT ITS INTENDED WEIGHT CAPACITY. THIS MAY LEAD TO COLLAPSE AND MAY CAUSE SERIOUS INJURY.

SOFA



- Please keep instructions for future reference.
- Check the quantity and irregularity of parts and hardware before you start.



PARTS

#1 1pc



Left Chair Back Cushion

#2 1pc



Left Chair Seat

#3 1pc



Left Arm Rest

#4 1pc



Console Back Cushion

#5 1pc



Console Seat

#6 2pcs



Armless Back Cushion

#7 2pcs



Armless Chair Seat

#8 1pc



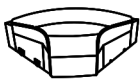
Left Corner Back Cushion

#9 1pc



Right Corner Back Cushion

#10 1pc



Corner Seat

#11 1pc



Right Chaise Back Cushion

#12 1pc



Right Chaise Seat

#13 1pc



Right Arm Rest

HARDWARE

#A 4pcs



5/16"
Threaded Rods

#B 4pcs



5/16"
Hexagon Nuts

#C 4pcs



5/16"
Lock Washers

#D 4pcs



5/16"
Flat Washers

#E 1pc



Wrench

#F 4pcs



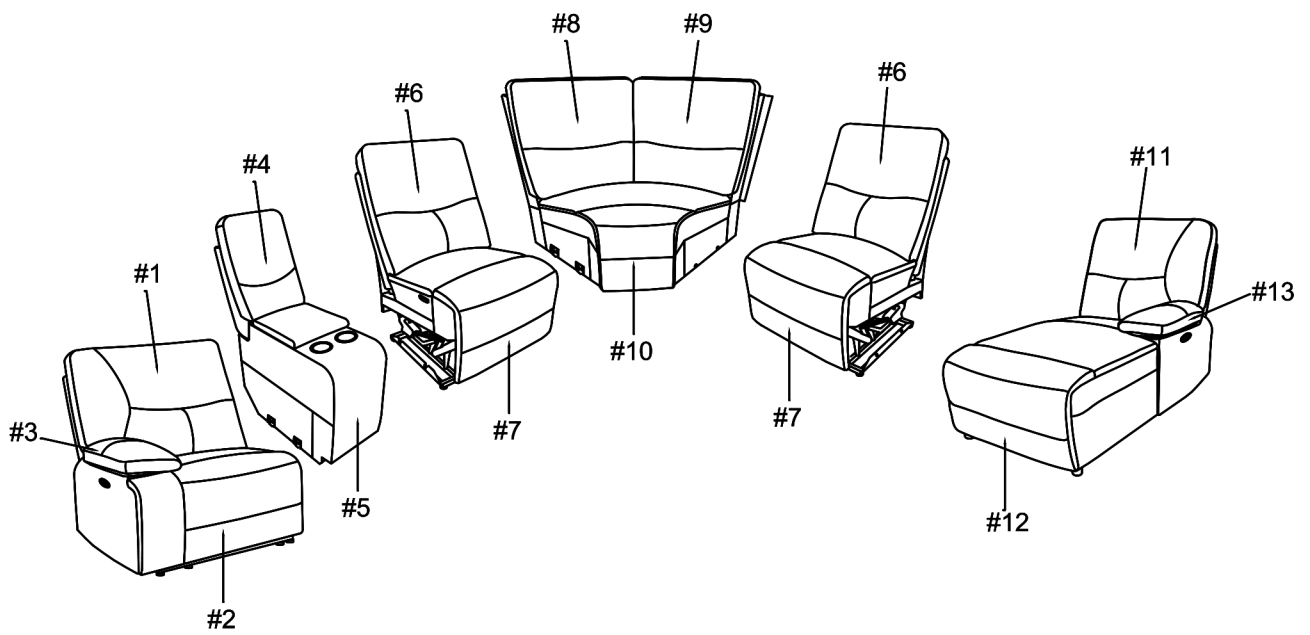
Plug-in Power Supply



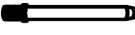

















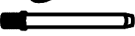


#G 4pcs



Threaded Rods

Exploded View



| Carton | Disignation | Part | Hardware |
|--------|---------------------------|---|--|
| | Left Chair Back Cushion | #1  |  #F x 1pc  #G x 2pcs |
| | Left Chair Seat | #2  | |
| | Left Arm Rest | #3  | |
| | Console Back Cushion | #4  | |
| | Console Seat | #5  | |
| | Armless Back Cushion | #6  x 2 |  #F x 2pcs |
| | Armless Chair Seat | #7  x 2 | |
| | Left Corner Back Cushion | #8  |  #A x 4pcs  #B x 4pcs  #C x 4pcs  #D x 4pcs  #E x 1pc |
| | Right Corner Back Cushion | #9  | |
| | Corner Seat | #10  | |
| | Right Chaise Back Cushion | #11  |  #F x 1pc  #G x 2pcs |
| | Right Chaise Seat | #12  | |
| | Right Arm Rest | #13  | |

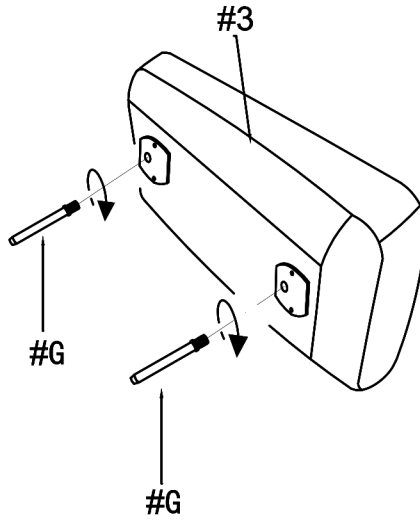
ASSEMBLY INSTRUCTIONS

1

Part #3 x1pc

Hardware #G x2pcs

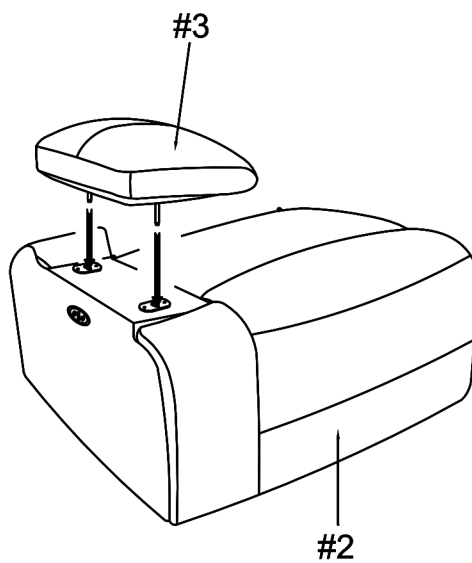
Attach threaded rods (#G) to the left arm rest (#3).



2

Part #2 x1pc

Insert left arm rest (#3) to the left chair seat (#2).

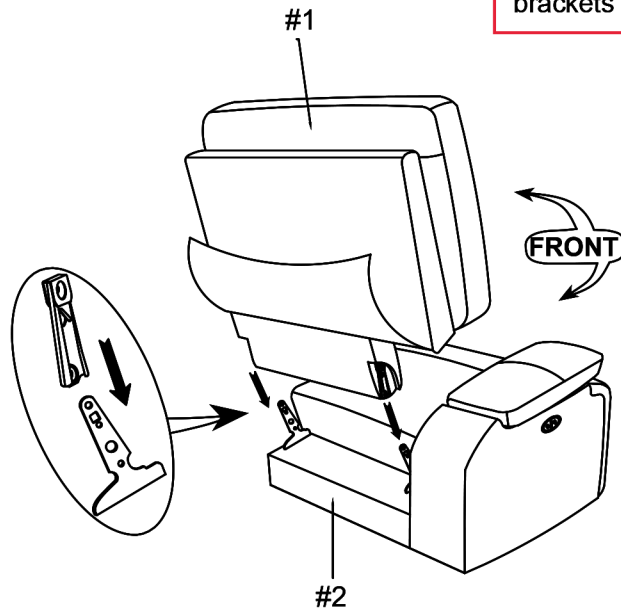


ASSEMBLY INSTRUCTIONS

3

Part #1 x1pc

Align and attach the metal brackets of the backrest (#1) to the metal brackets of the seat (#2).

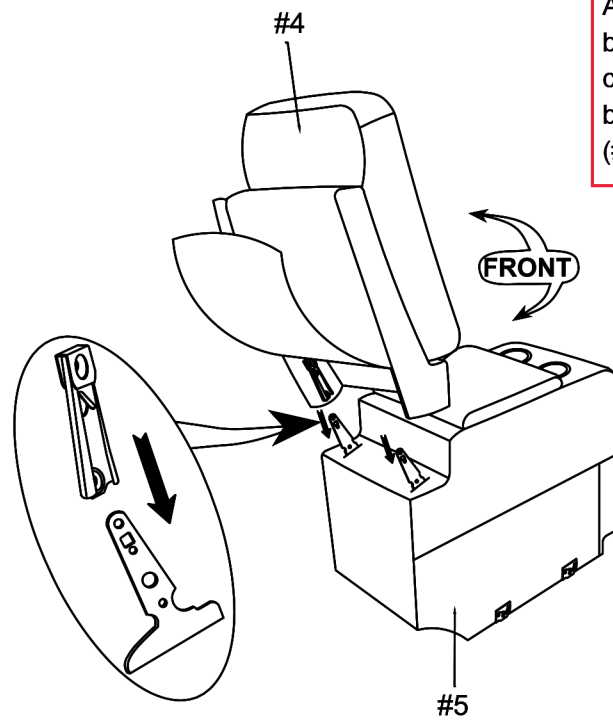


4

Part #4 x1pc

Part #5 x1pc

Align and attach the metal brackets of the console back cushion (#4) to the metal brackets of the console seat (#5).

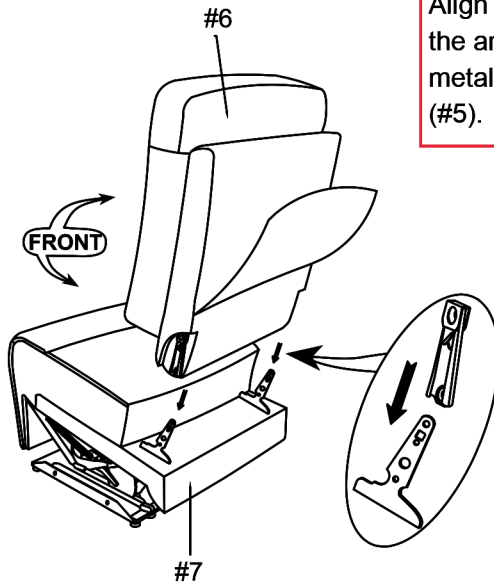


ASSEMBLY INSTRUCTIONS

5

Part #6 x1pc

Part #7 x1pc



Align and attach the metal brackets of the armless back cushion (#6) to the metal brackets of the armless seat (#5).

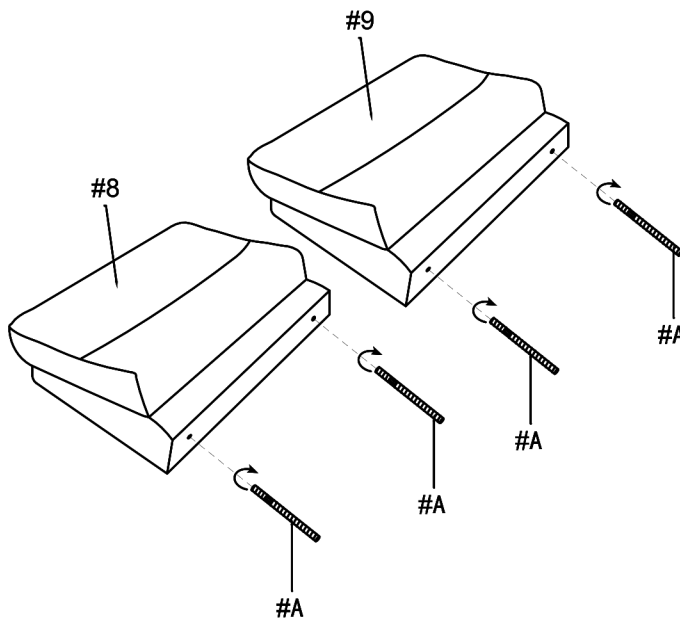
x 2

6

Part #8 x1pc

Part #9 x1pc

Hardware #A x4pcs



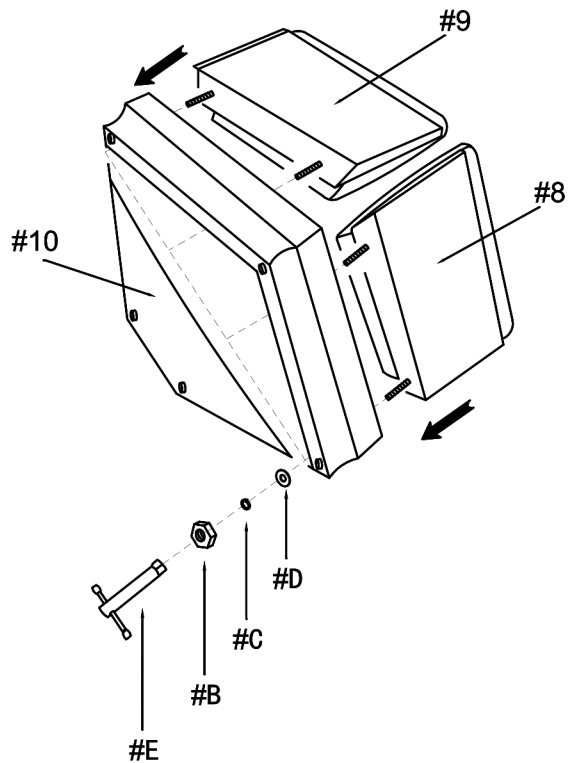
Attach threaded rods (#A) one quarters into the back cushions (#8,9).

ASSEMBLY INSTRUCTIONS

7

- Part (#10) x1pc
- Hardware (#B) x4pcs
- Hardware (#C) x4pcs
- Hardware (#D) x4pcs
- Hardware (#E) x1pc

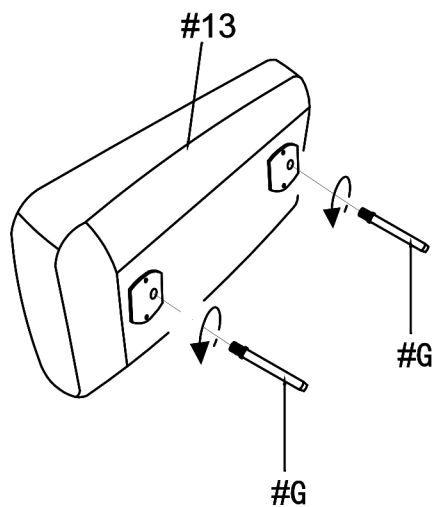
Align back cushions (#8,9) to the corner seat (#10), then secure by using nuts (#B) with washers (#C,D).



8

- Part (#13) x1pc
- Hardware (#G) x2pcs

Attach threaded rods (#G) to the arm rest (#13).

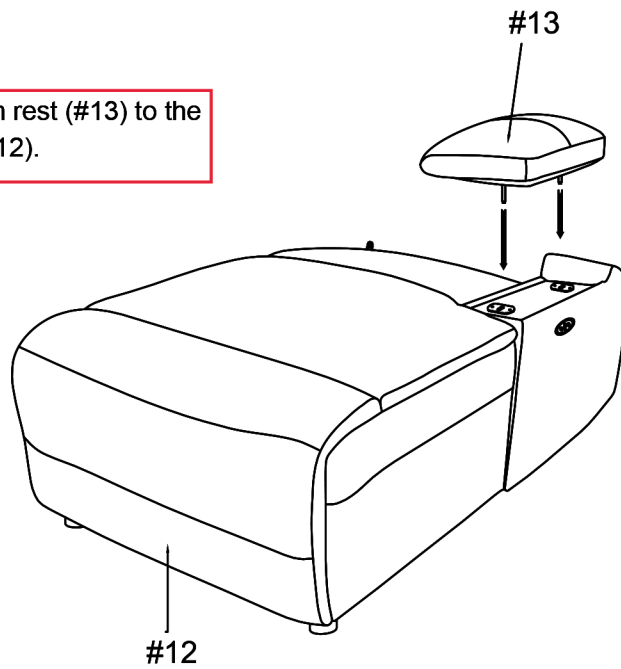


ASSEMBLY INSTRUCTIONS

9

Part #12 x1pc

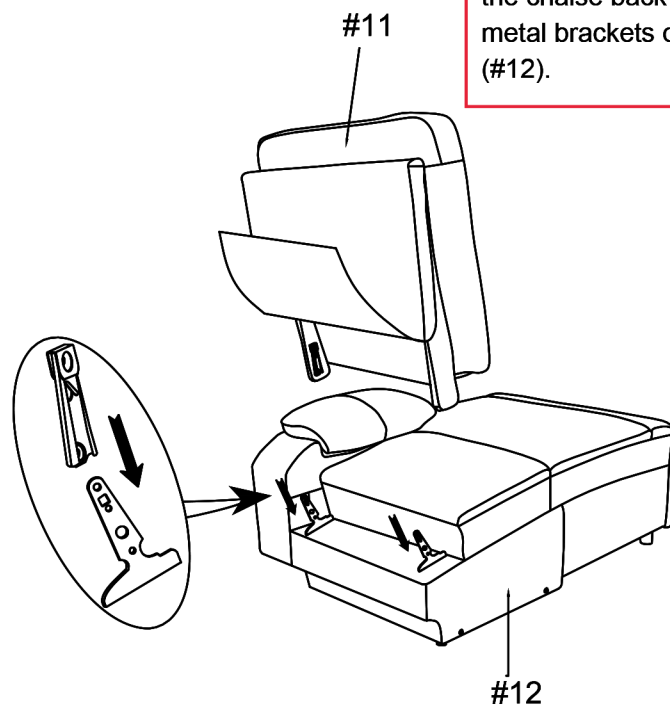
Insert arm rest (#13) to the chaise (#12).



10

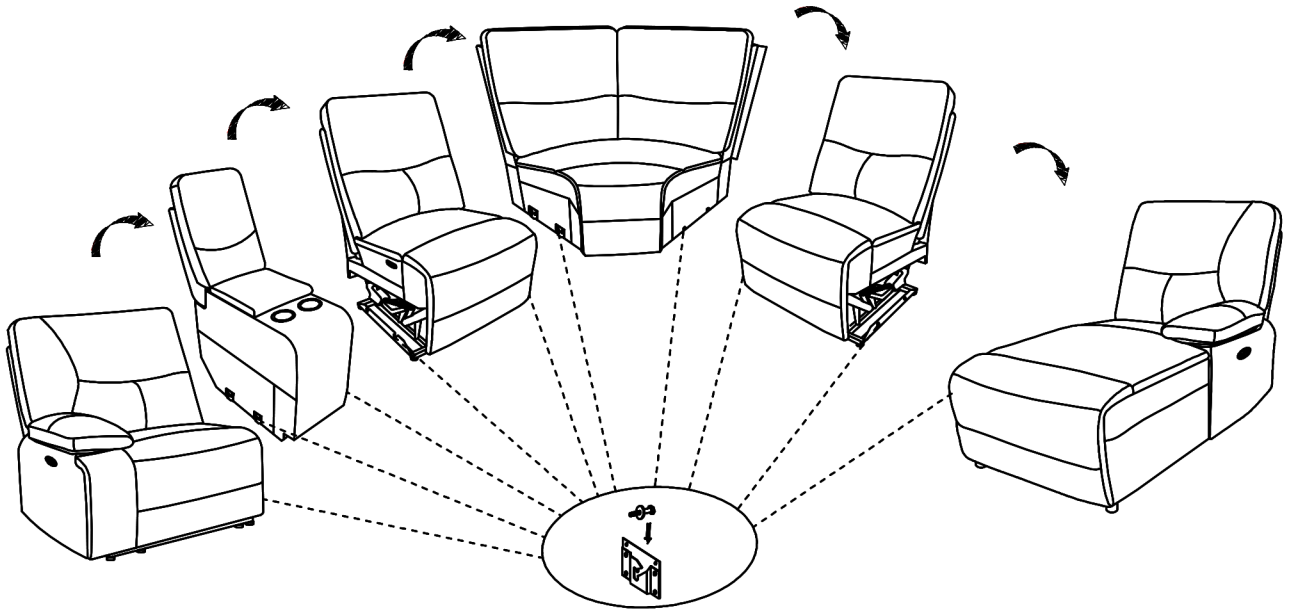
Part #11 x1pc

Align and attach the metal brackets of the chaise back cushion (#11) to the metal brackets of the chaise seat (#12).



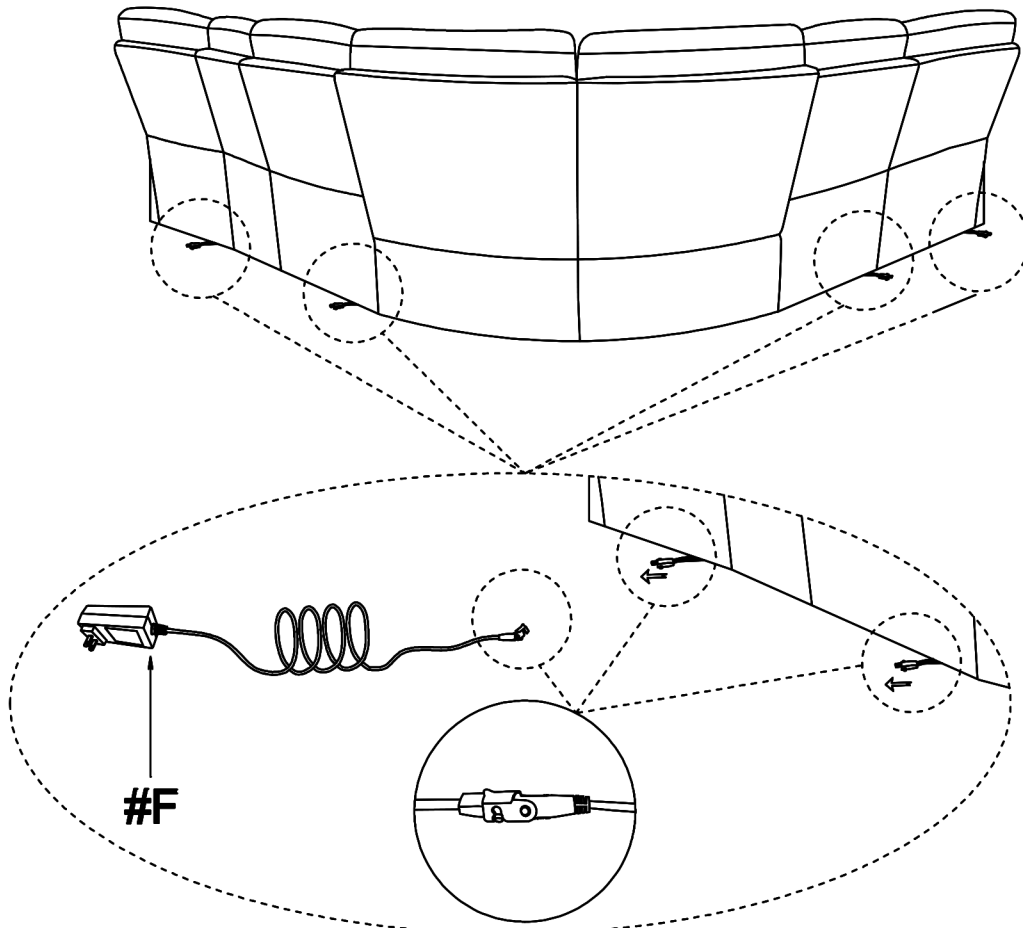
ASSEMBLY INSTRUCTIONS

11



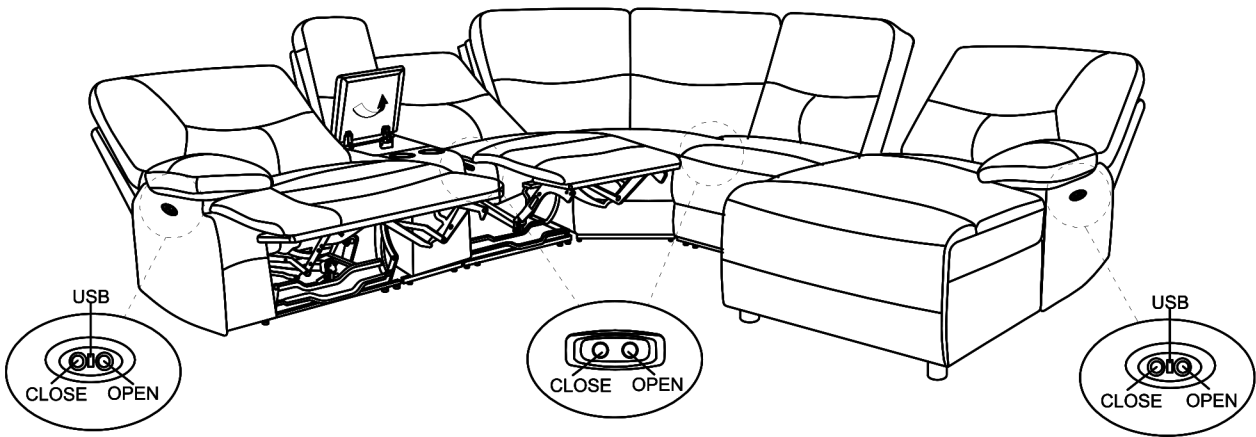
12

Hardware #F x4pcs

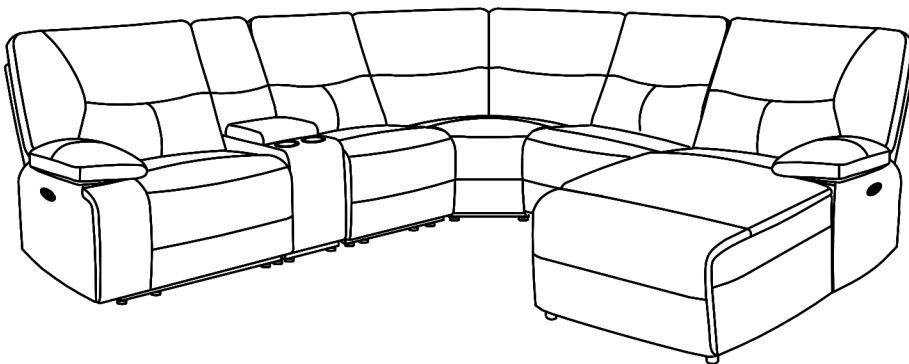


ASSEMBLY INSTRUCTIONS

13



14



ASSEMBLY COMPLETED



Please ensure the furniture rests on an even and flat surface. If the product wobbles or feels loose, double-check all bolts and/or screws are properly tightened and secured.



Keep this handy!

Please retain this instruction manual and any order-related information for future reference.



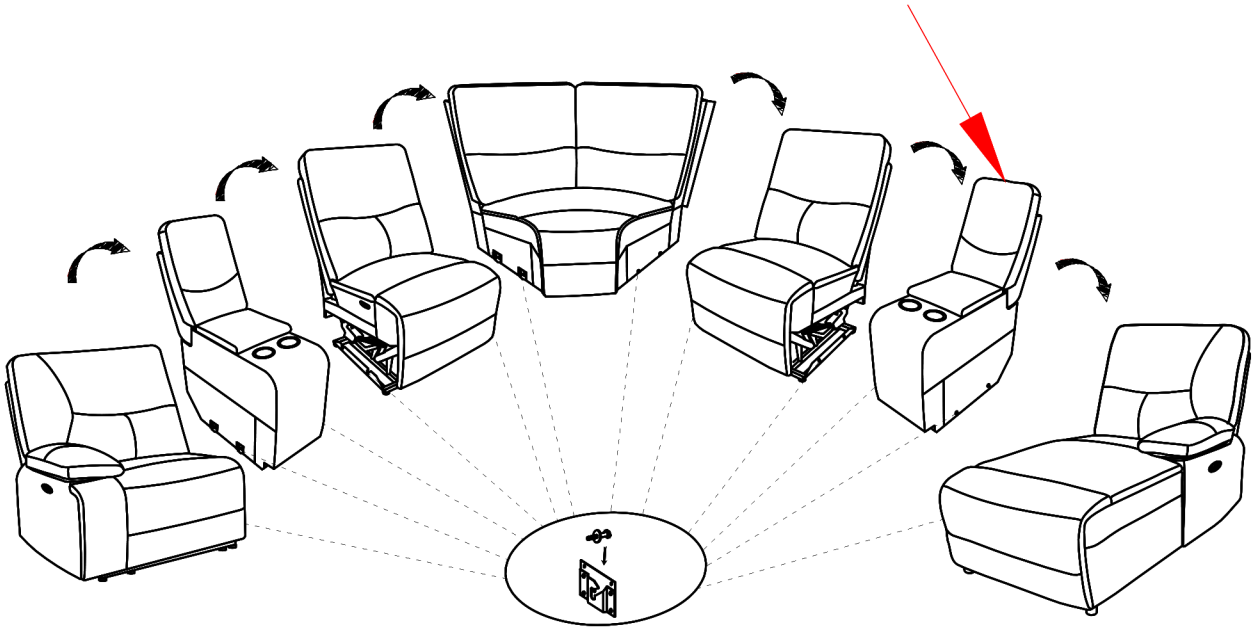
Lift, don't drag!

To avoid damage to product please always LIFT the product when transporting or adjusting the placement.

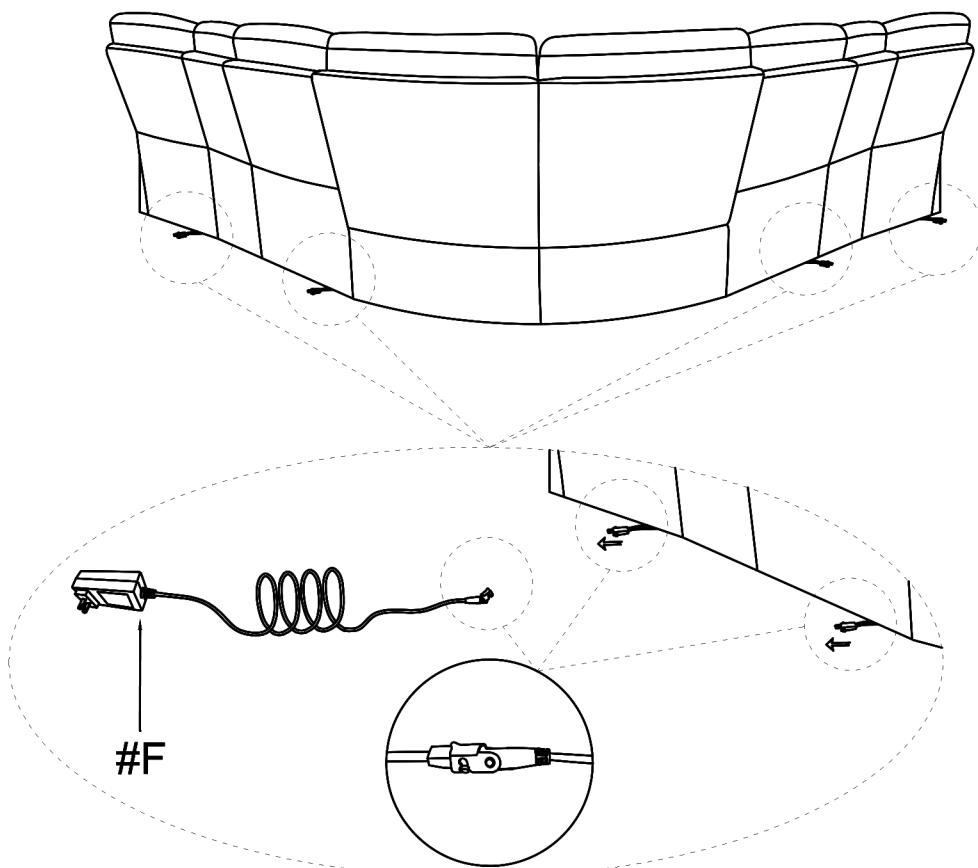
ASSEMBLY INSTRUCTIONS

15

If another console was purchased.

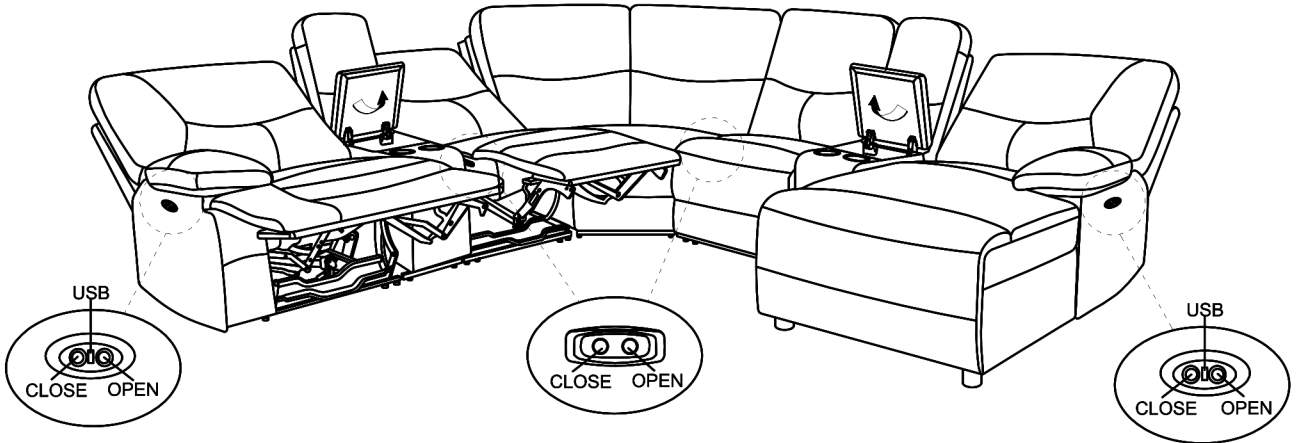


16

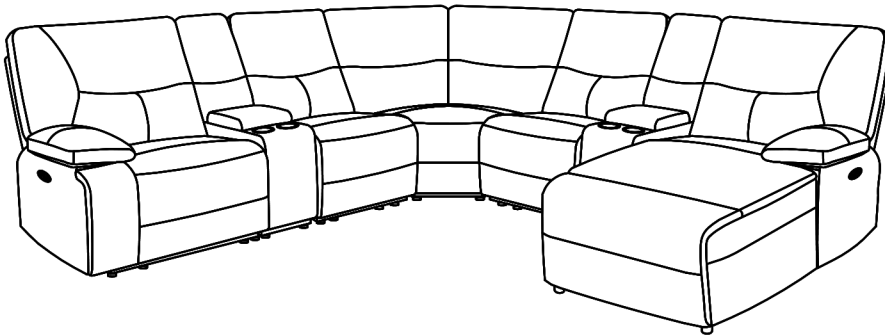


ASSEMBLY INSTRUCTIONS

17



18



ASSEMBLY COMPLETED



Please ensure the furniture rests on an even and flat surface. If the product wobbles or feels loose, double-check all bolts and/or screws are properly tightened and secured.



Keep this handy!

Please retain this instruction manual and any order-related information for future reference.



Lift, don't drag!

To avoid damage to product please always LIFT the product when transporting or adjusting the placement.