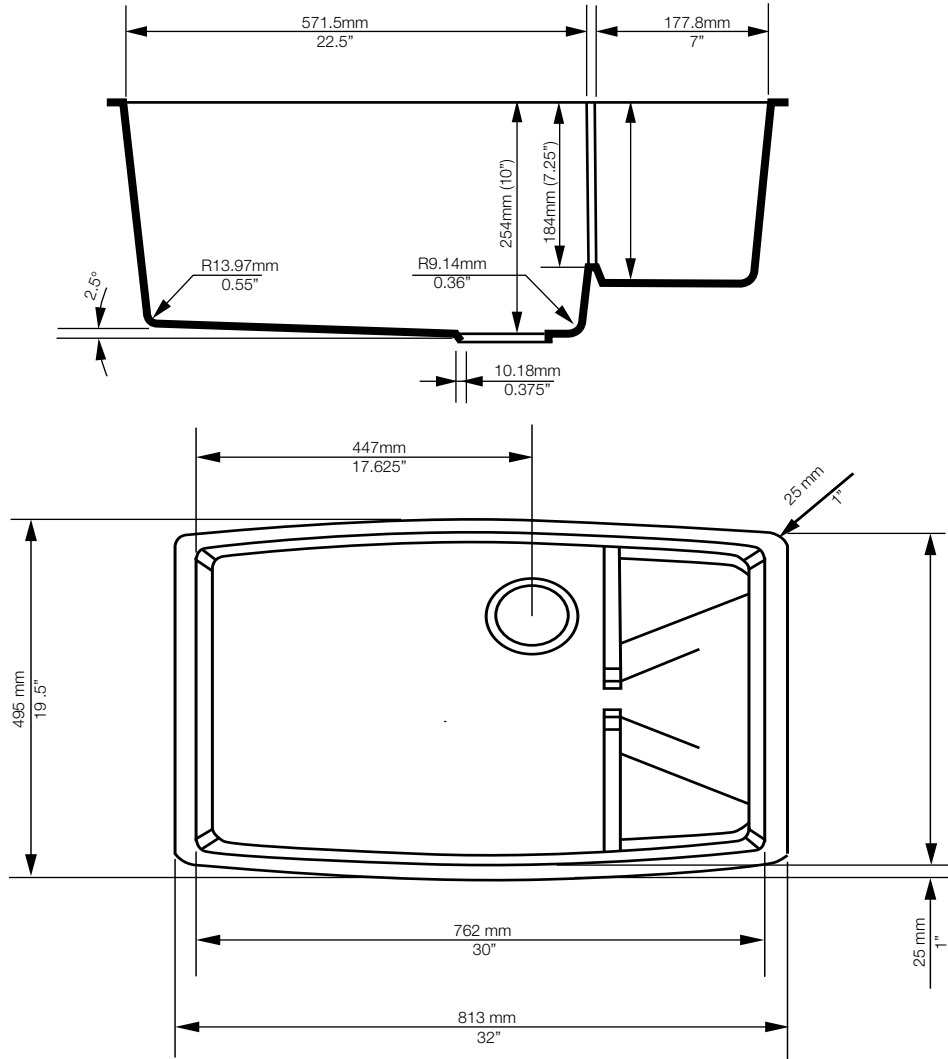




**CERAMIC
BASIN**

**BASIN
CÉRAMIQUE**



* Dimensions may vary +/- 1/4" (6mm) / Les dimensions peuvent varier de +/- 1/4" (6mm)



DIMENSIONS		WEIGHT POIDS	MATERIAL MATERIEL	DRAIN HOLE DIAMETER DIAMÈTRE DU TROU DE VIDANGE
32 x 19.5 x 10" 813 x 495 x 255 mm		32 lbs 14.5 Kg	Granite Granit	3.5" 90mm
FINISH FINITION	DRAIN LOCATION LOCATION DU DRAIN	PIECES PIÈCES	COMPLIANCE CERTIFICATIONS:	
Black Noir	Center Centre	1 pc	Uniform Plumbing Code National Plumbing Code of Canada ASME A112.19.2-2018/CSA B45.1-18	