

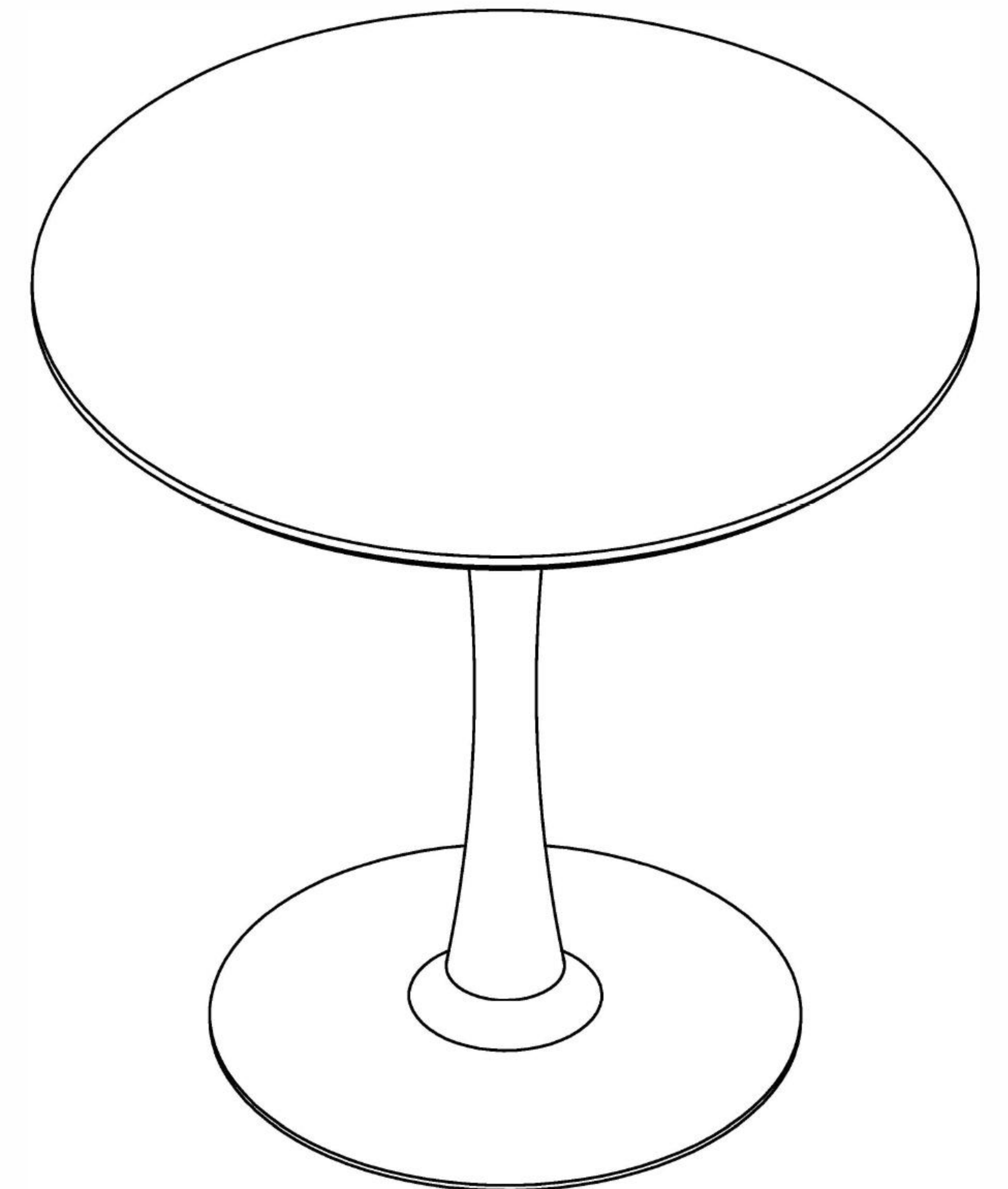
Assembly Instructions

⚠ Before you throw the carton, please ensure that you have all the parts needed for the assembly.

⚠ **Hardware Note:**
1. For each step please don't fully tighten all the screws at first, when they all align to the holes you can fully tighten them.


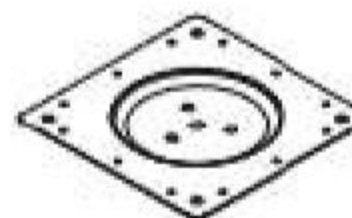






2. All the bolts should be assembled **vertically** to the holes.

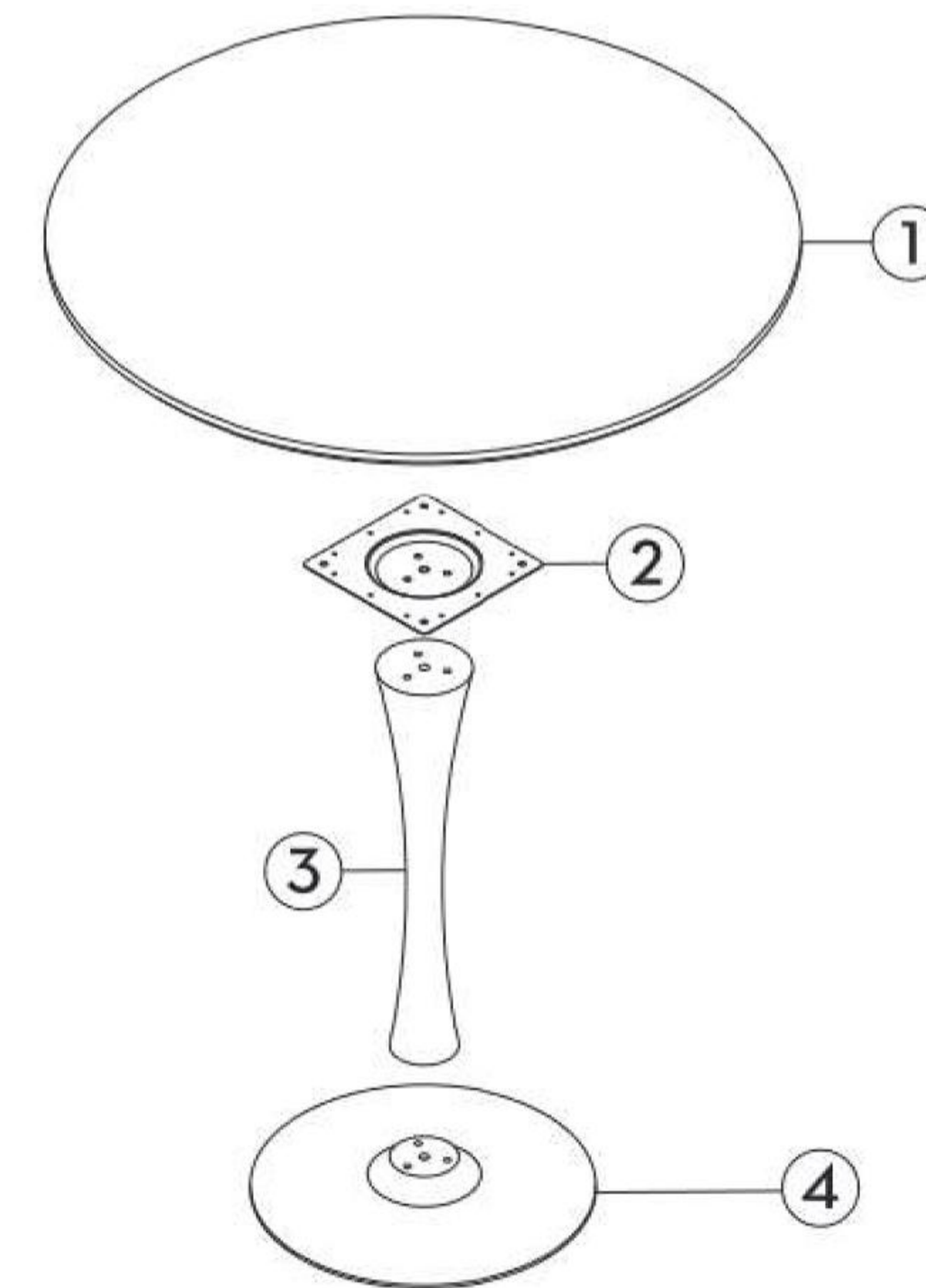
⚠ **Spare parts** can be found in the hardware box if you do not have enough bolts for assembly.



⚠ THIS INSTRUCTION BOOKLET CONTAINS IMPORTANT SAFETY INFORMATION. PLEASE READ AND KEEP FOR FUTURE REFERENCE.

PARTS LIST

<p>①</p>  <p>x1</p>	<p>②</p>  <p>x1</p>	<p>③</p>  <p>x1</p>	<p>④</p>  <p>x1</p>
<p>Ⓐ</p>  <p>M8*25 x6</p>	<p>Ⓑ</p>  <p>M6*15 x4</p>	<p>Ⓒ</p>  <p>x4</p>	<p>Ⓓ</p>  <p>x1</p>



Step 1.

Step 2.

Step 3.

Step 4.