

For any missing or damaging parts, hardware, or any other problems, WELCOME to email us

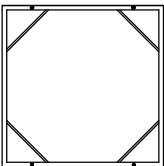
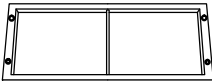
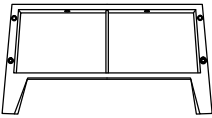

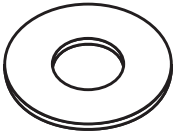

* Don't fully tighten all the bolts till the very end!

PRE-ASSEMBLY PREPARATION:

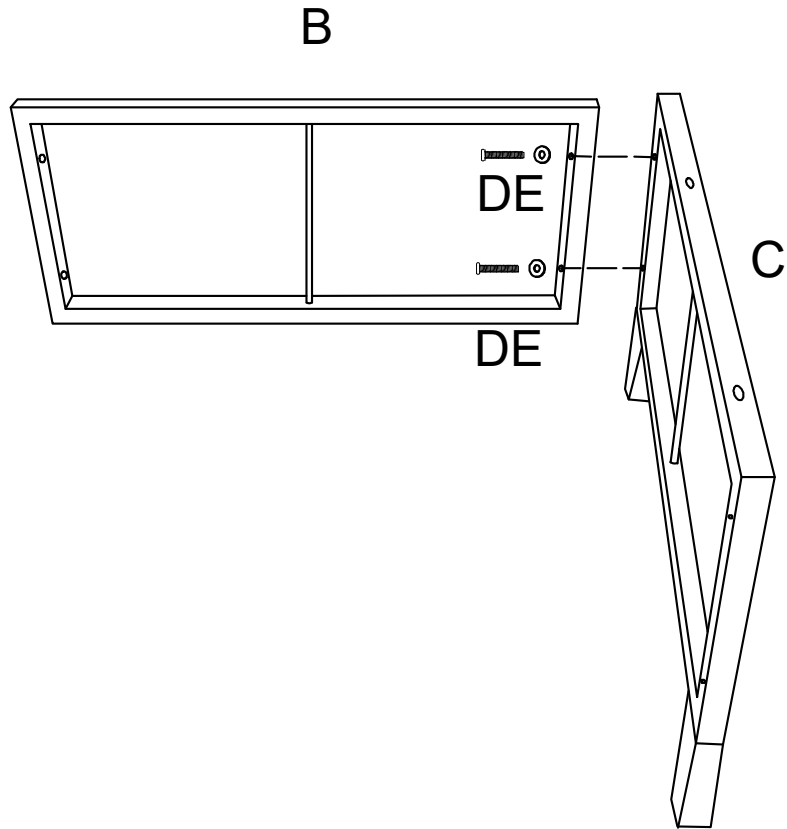
--- Please read through the instructions before beginning assembly.

--- Clear out the space for assembly and lay out all of the parts based on the Parts List, extra room will allow you to easily determine if all the pieces are present.

--- Keep small parts and pieces away from children until fully assembled.

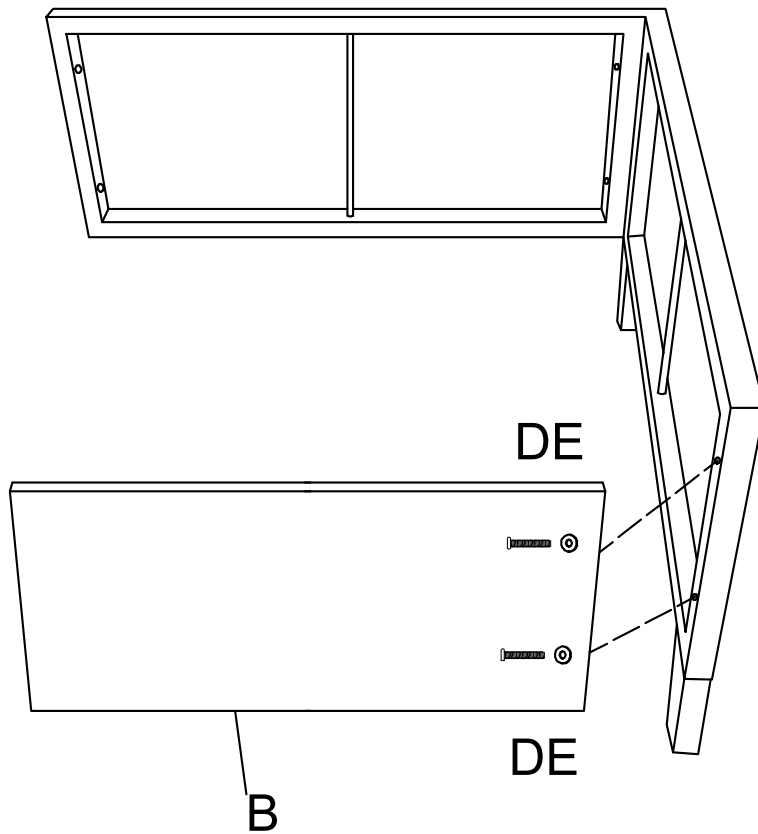
Part No.	Part	Qty	Image	Part No.	Part	Qty	Image
A	Top Panel	1		B	Side Panel	2	
C	Feet	2		D	Bolt	12	 M6*30mm
E	Washer	12		F	Seat Cushion	1	

STEP 1

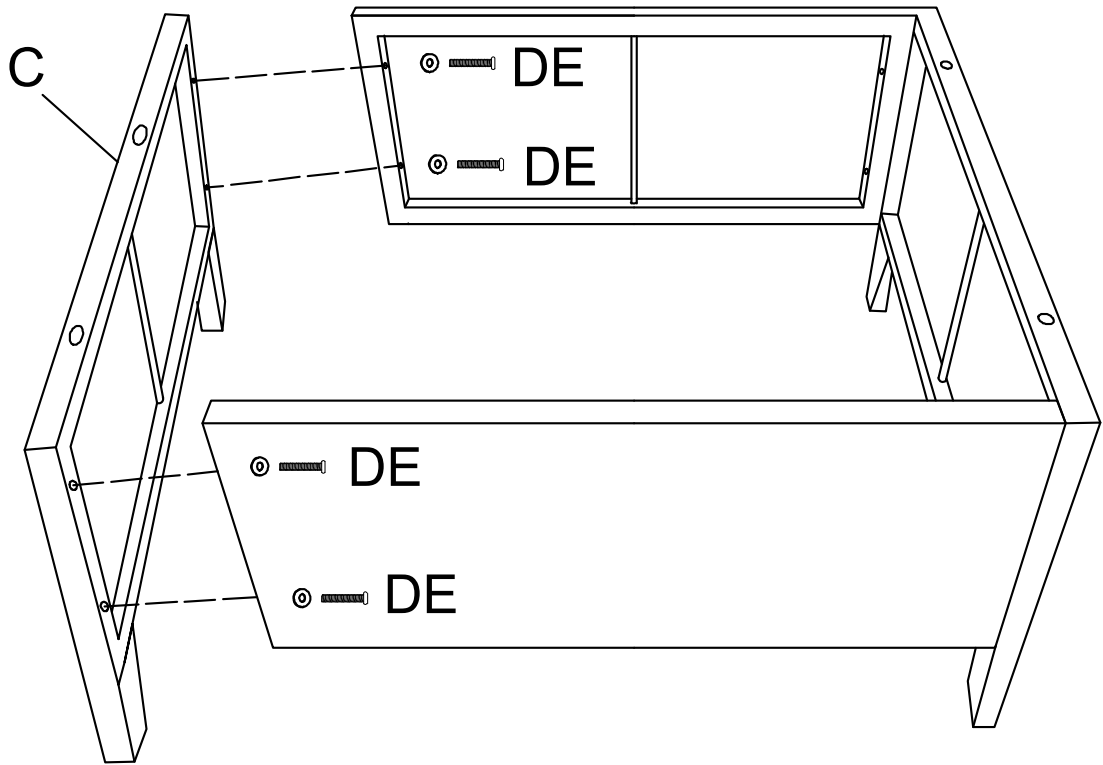


Attach side panel and feet with D,E. Don't tighten bolts!

STEP 2

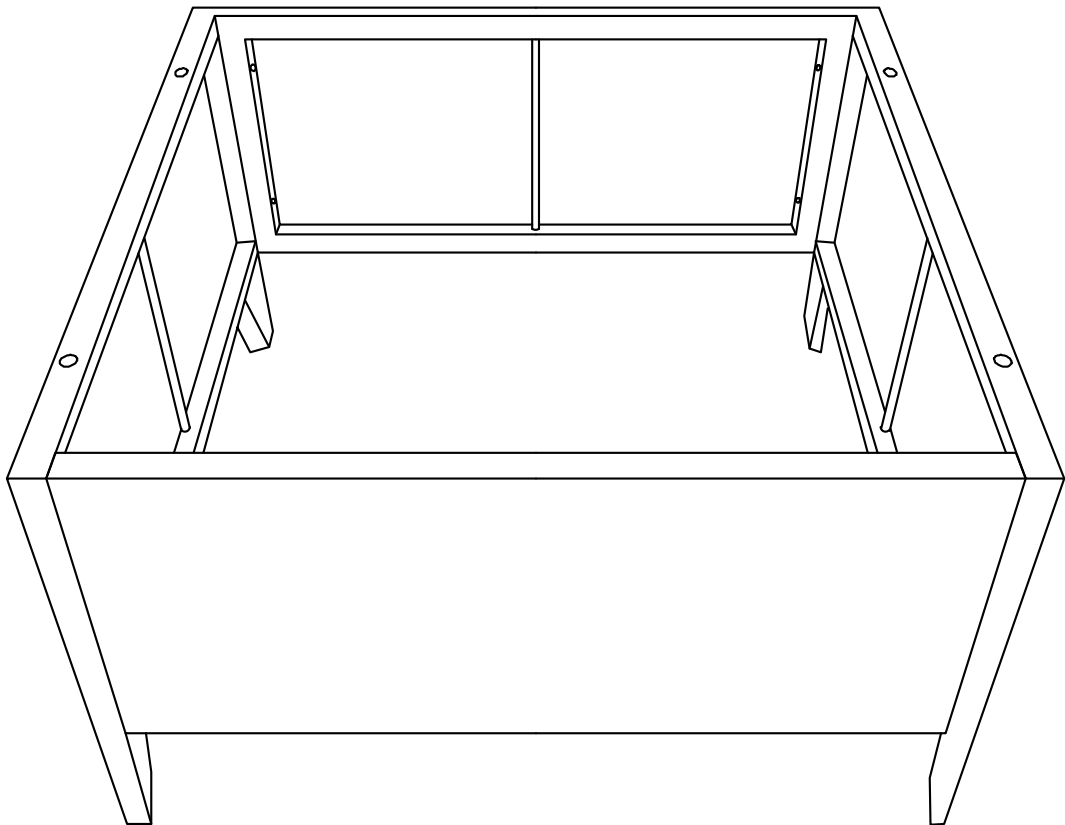


STEP 3

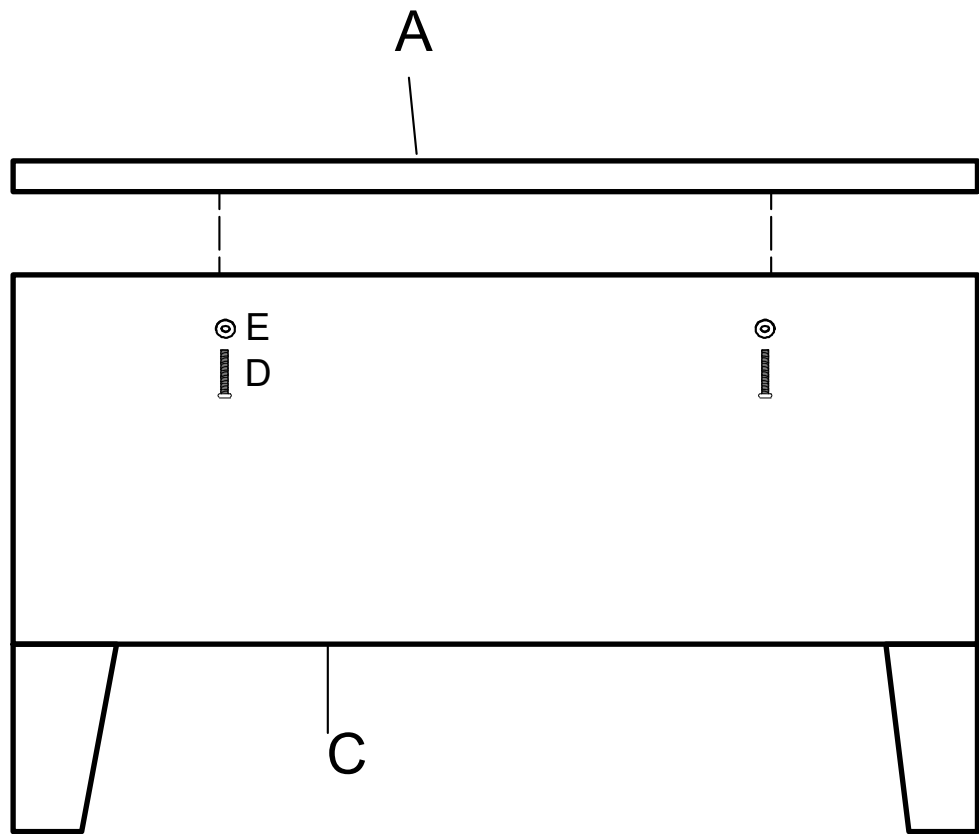


Attach side panel and feet with D,E. Don't tighten bolts!

STEP 4

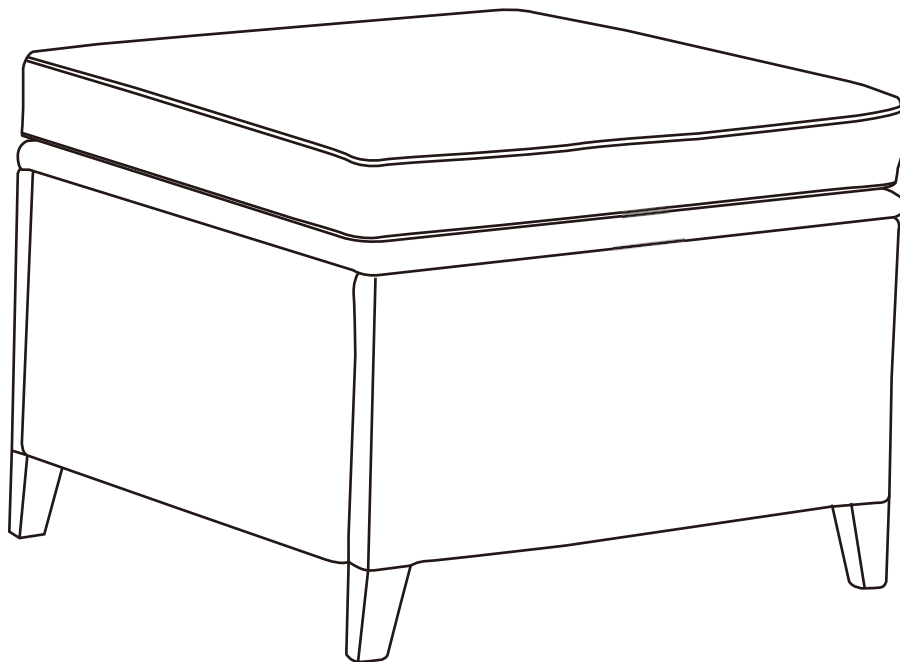


STEP 5



Attach top panel and ottoman frame with D,E. Tighten all the bolts!

STEP 6



Put seat cushion on the ottoman.