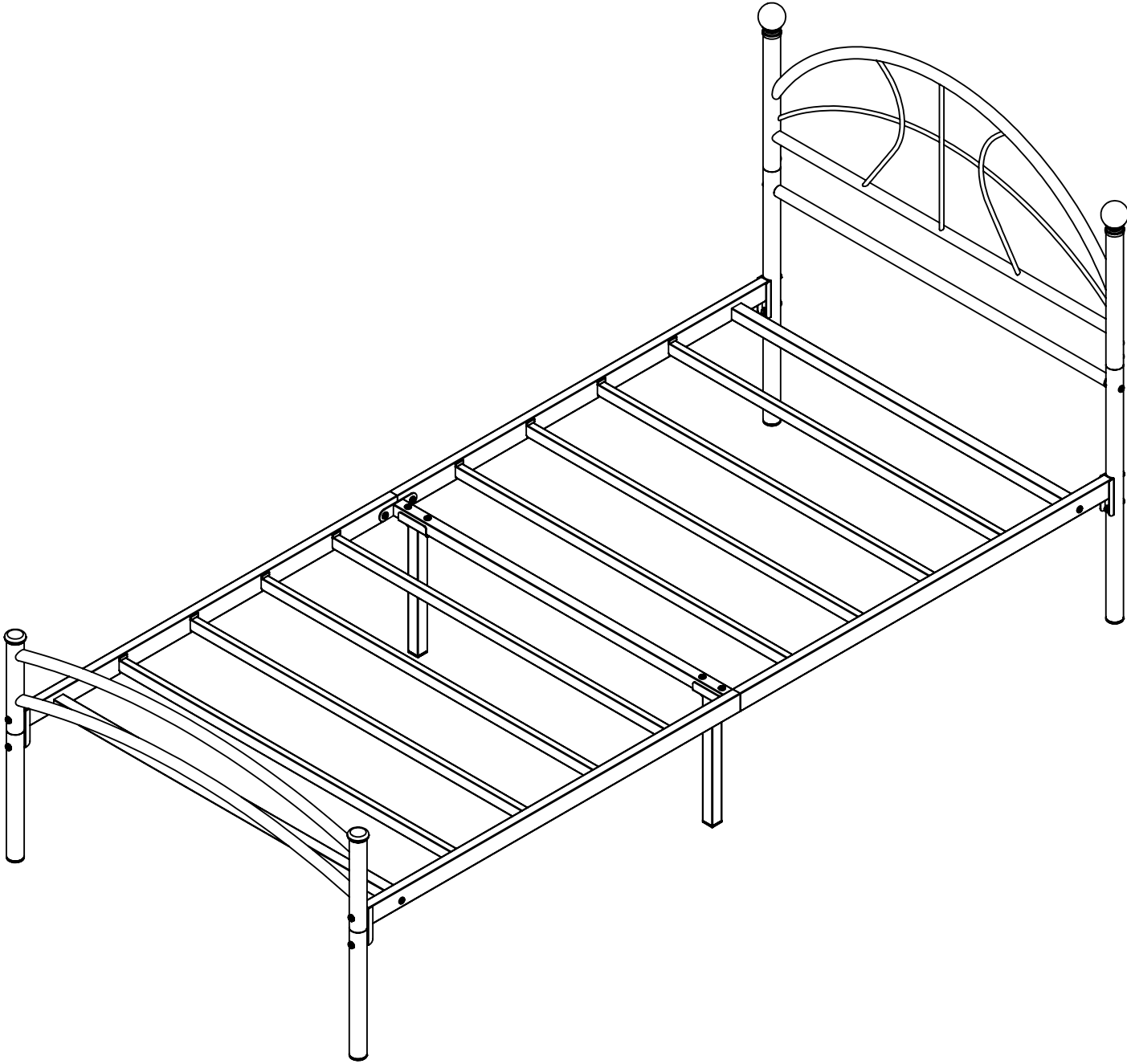
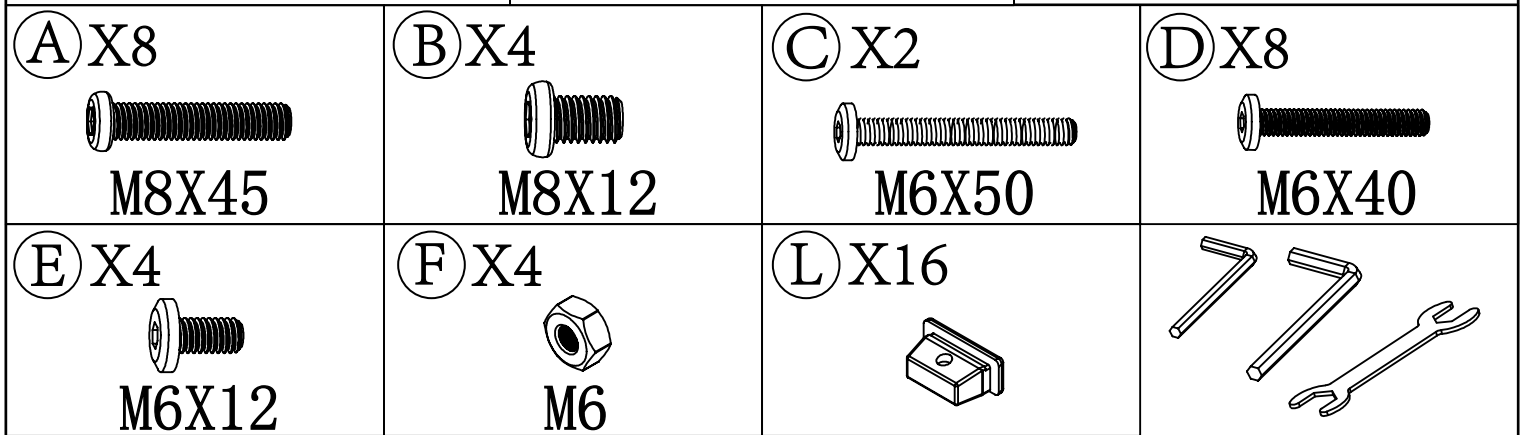
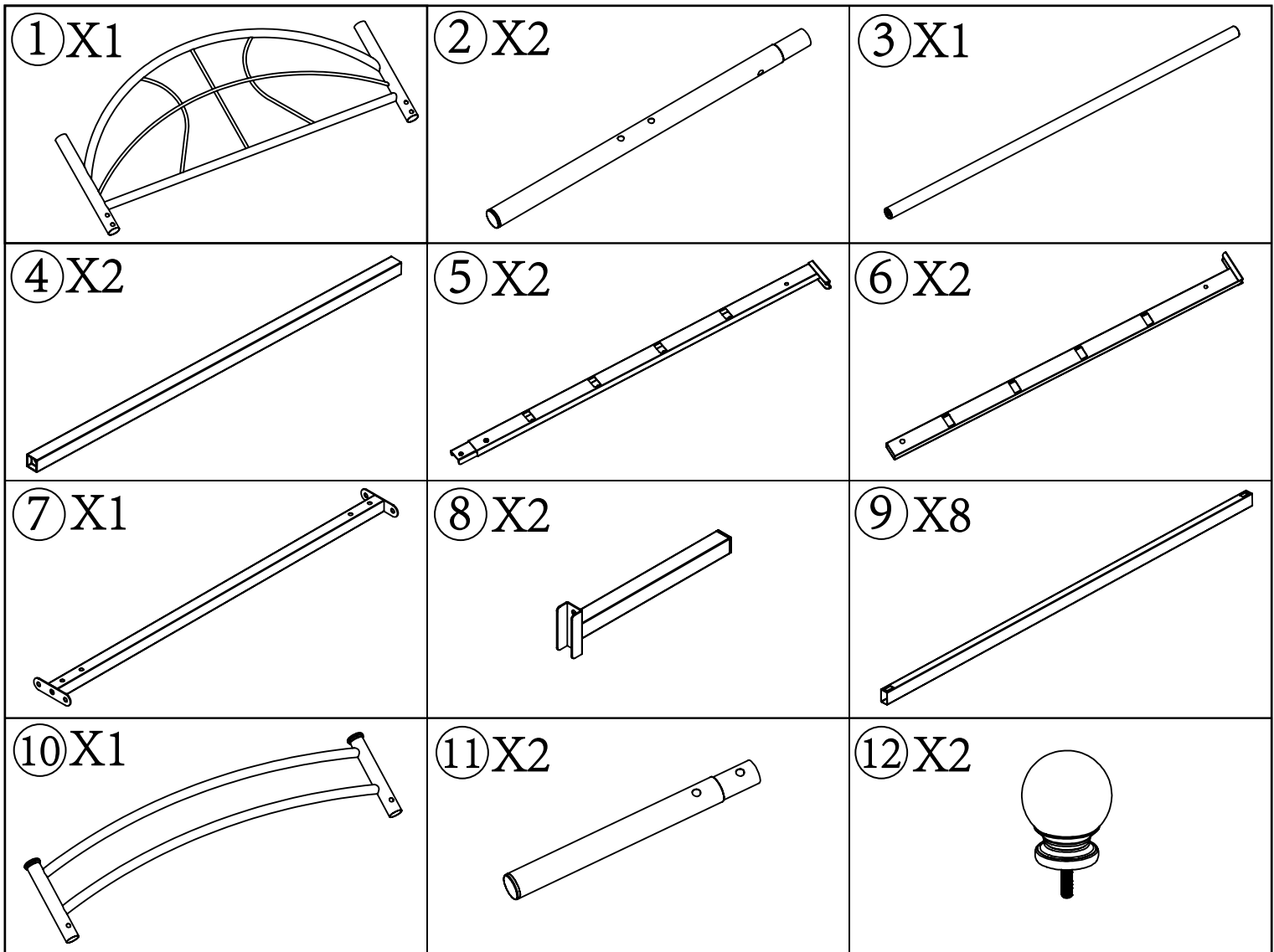
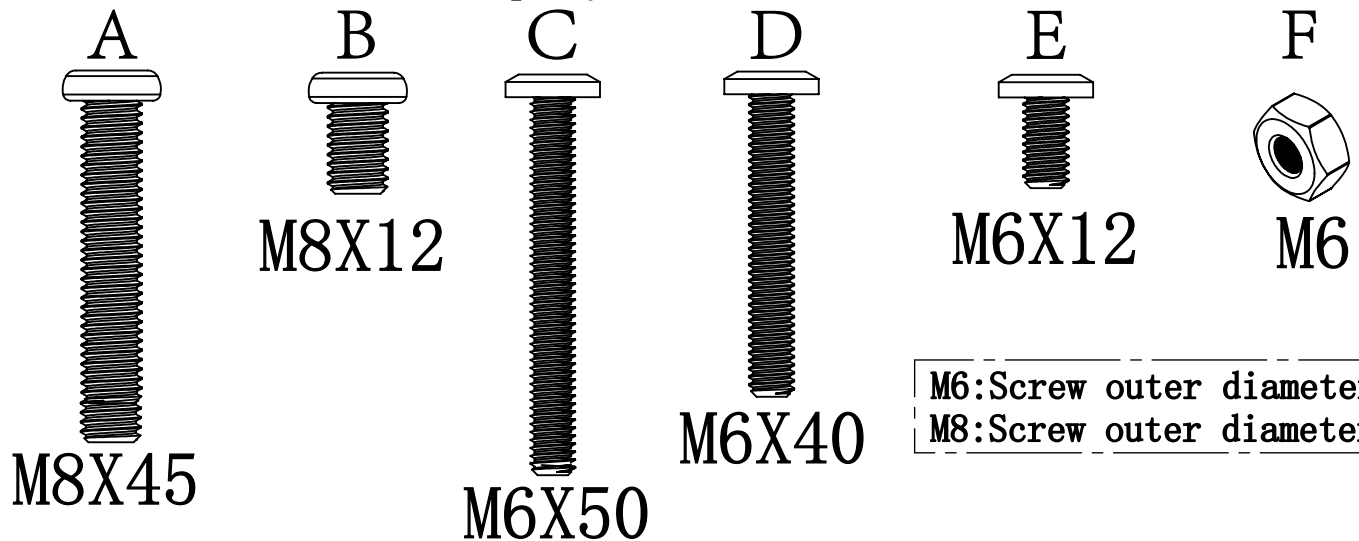


# BSKBALL TWIN BED FRAME



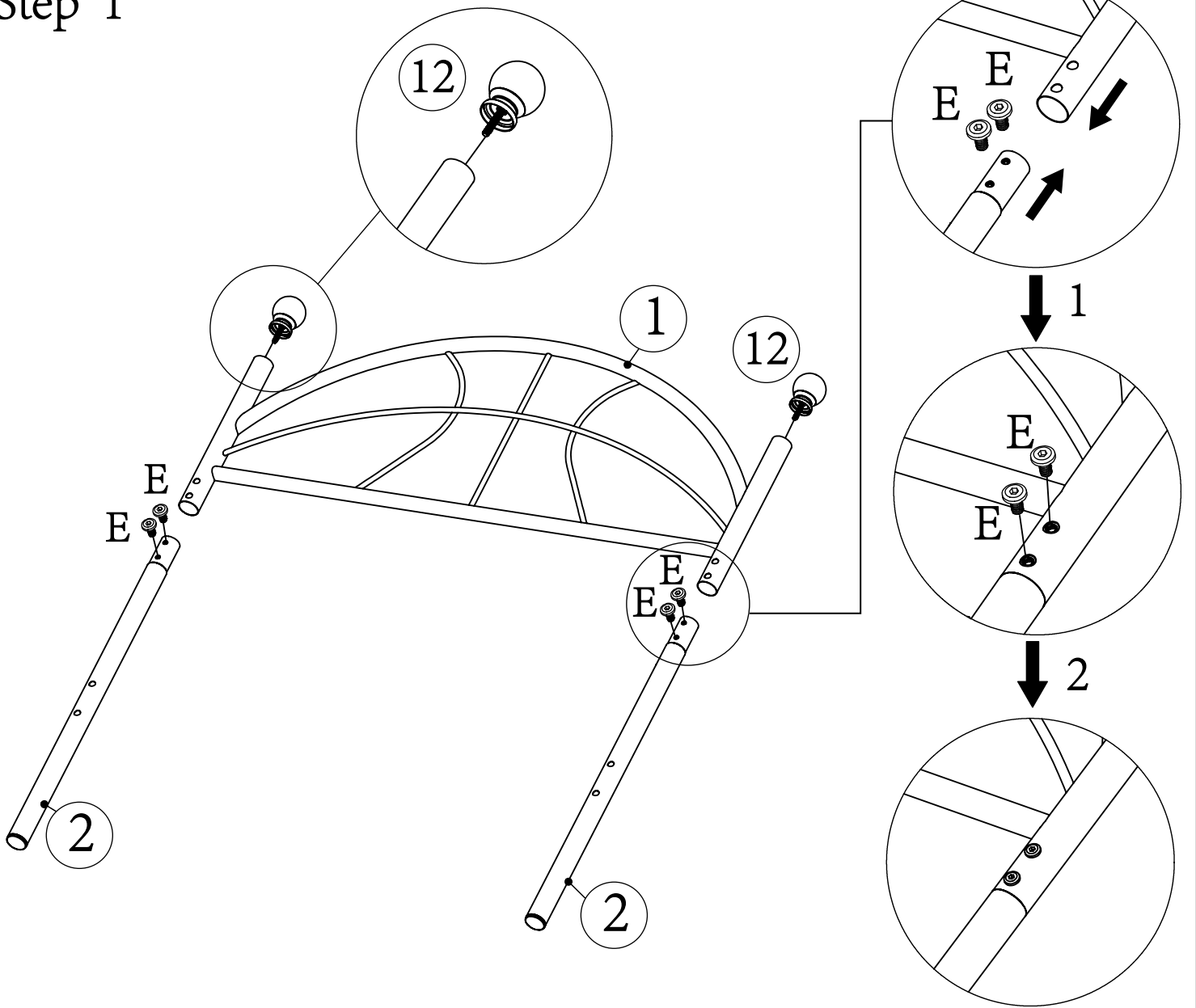


Difference screws display (1:1)

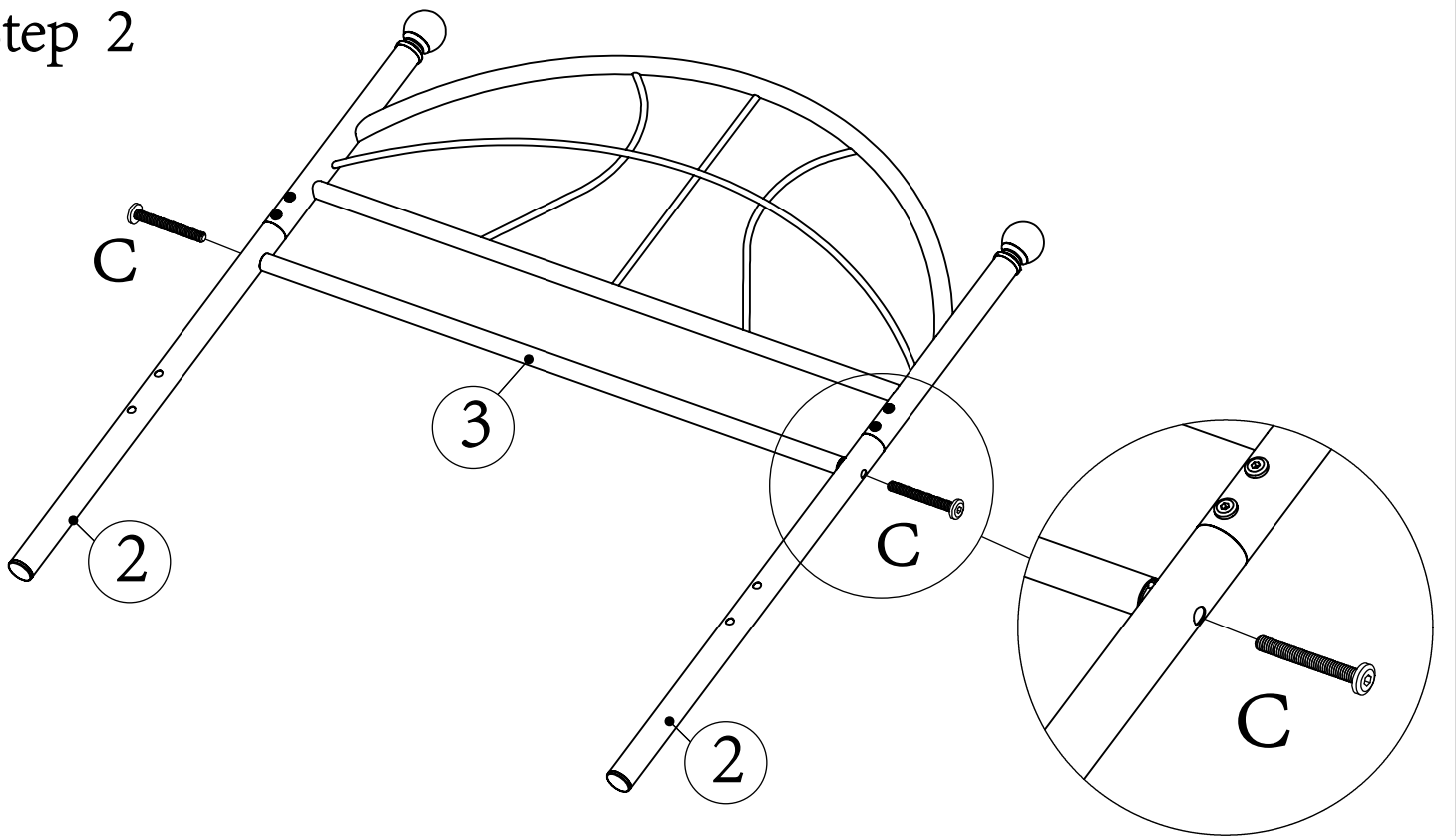


M6: Screw outer diameter 6mm  
M8: Screw outer diameter 8mm

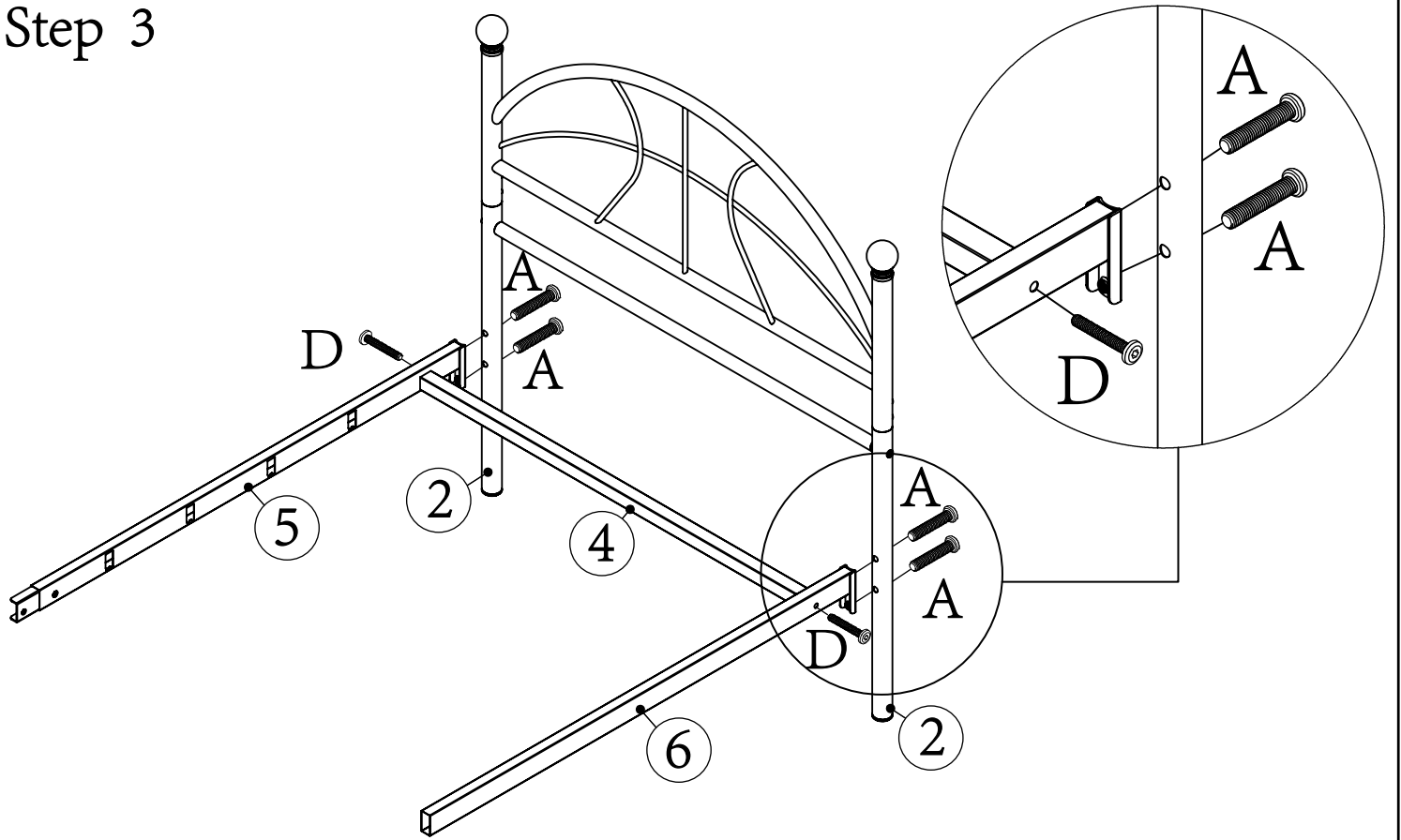
# Step 1



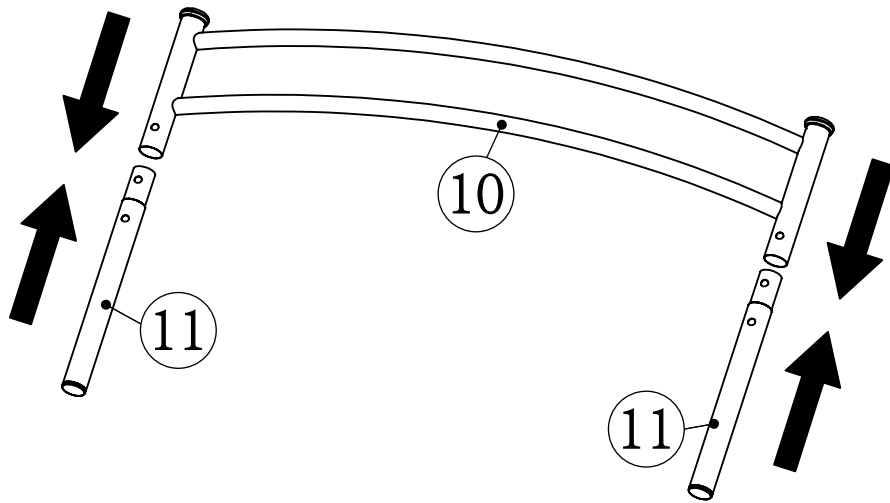
# Step 2



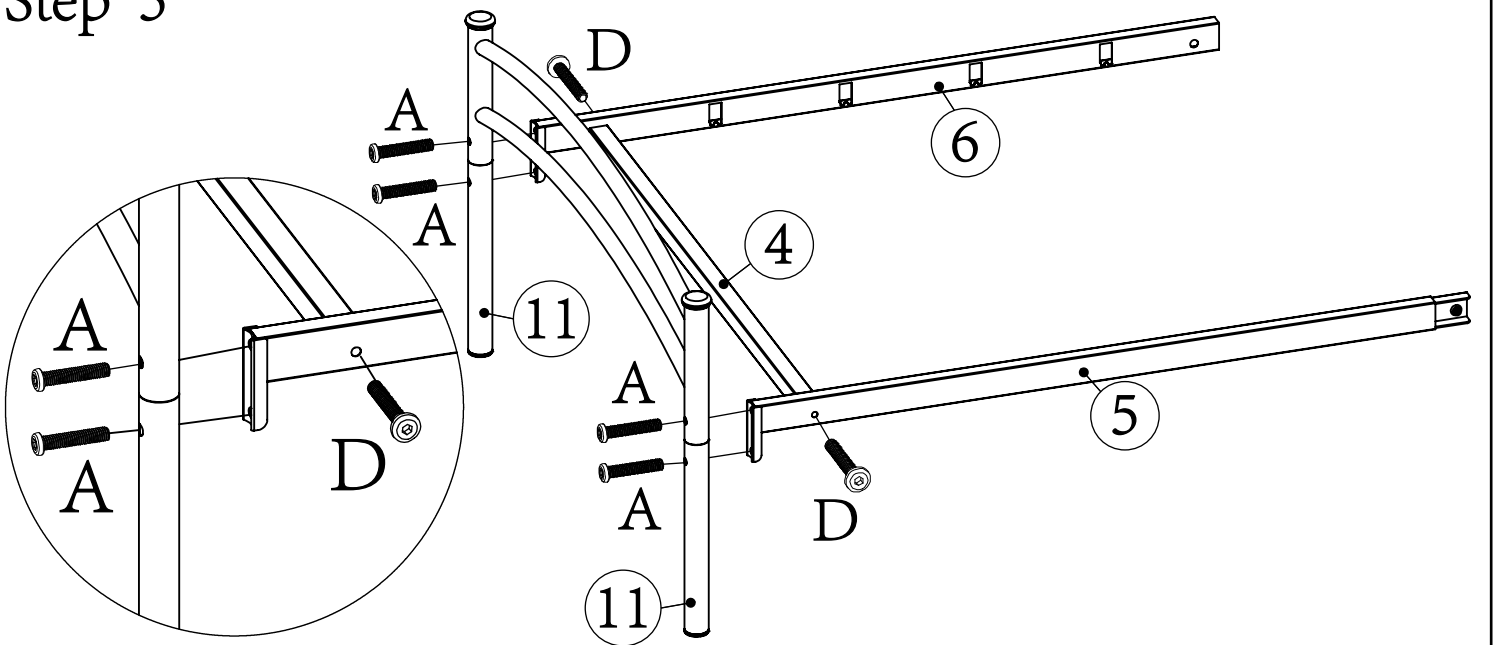
### Step 3



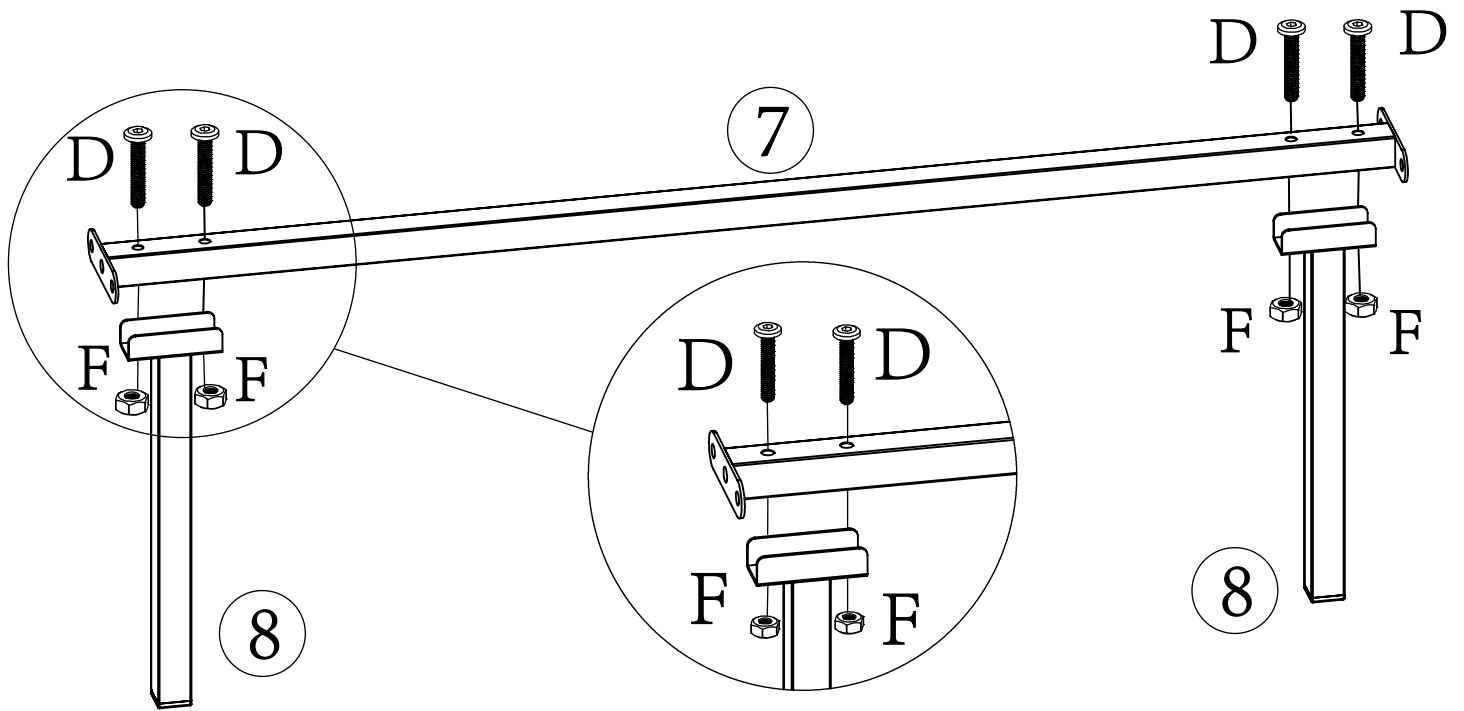
### Step 4



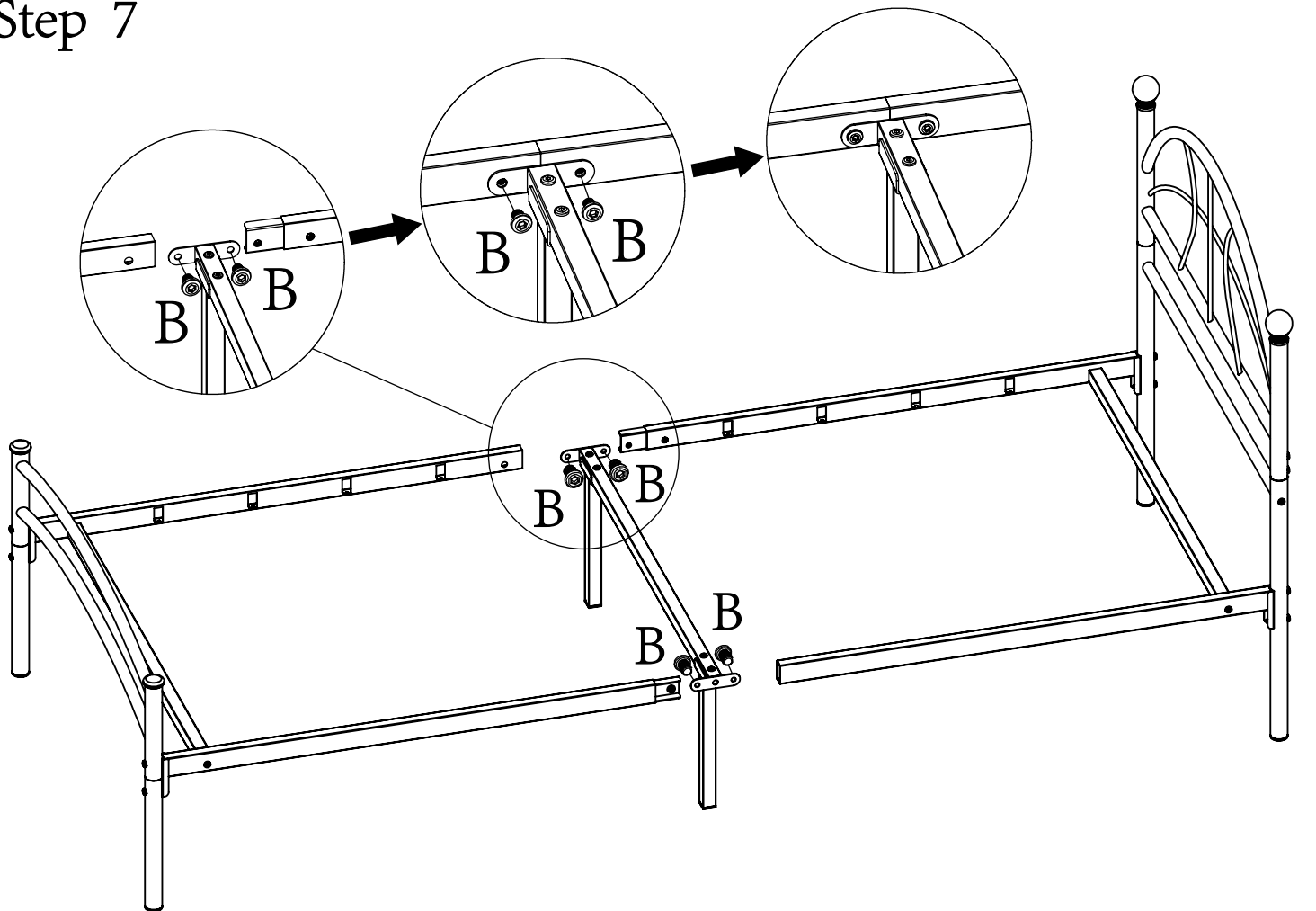
### Step 5



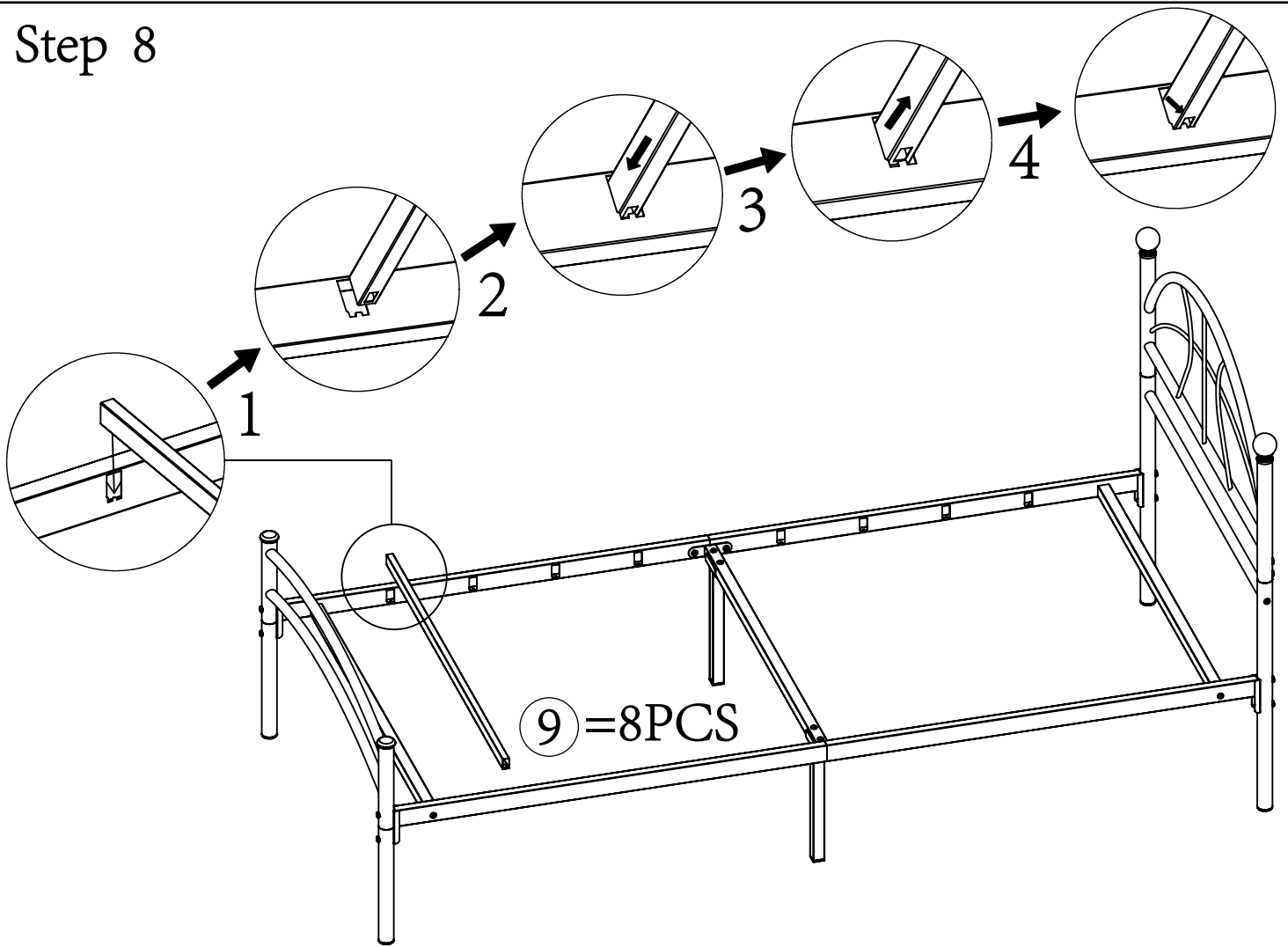
# Step 6



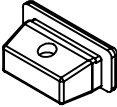
# Step 7



# Step 8



# Step 9

 **L=16PCS**

