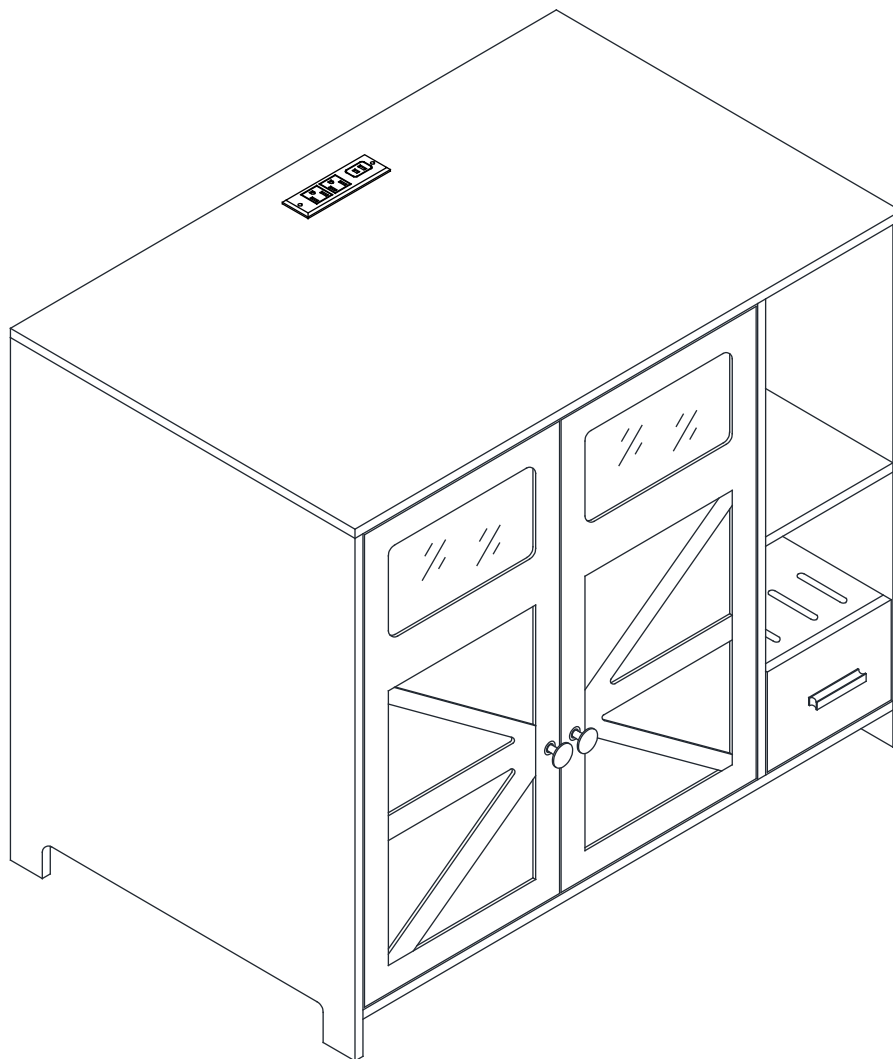


# Installation Manual

**Assembly Instructions - Please keep for future reference**



**Important – Please read these instructions fully before starting assembly**



# Safety and Care Advice

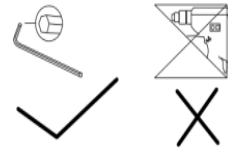
**Important – Please read these instructions fully before starting assembly**

- Check you have all the components and tools listed on the following pages.
- Remove all fittings from the plastic bags and separate them into their groups.
- Keep children and animals away from the work area, small parts could choke if swallowed.
- Make sure you have enough space to layout the parts before starting.

- During assembly do not stand or put weight on the product, this could cause damage.
- Assemble the item as close to its final position (in the same room) as possible.
- Assemble on a soft level surface to avoid damaging the unit or your floor.
- Parts of the assembly will be easier with 2 people.



power drill is set on a low torque setting.



Do not use an electric drill when installing the desktop! Please use the tools provided in the package.

## Care and maintenance

- Only clean using a damp cloth and mild detergent, do not use bleach or abrasive cleaners.
- From time to time check that there are no loose screws on this unit.
- This product should not be discarded with household waste. Take to your local authority waste disposal centre.

## Handy Hints

- Assemble all parts and bolts loosely during assembly, only once the product is complete should you fully tighten the bolts
- Regularly check and ensure That all bolts and fittings are tightened properly.

## **WARNING** In order to help prevent overturning – please follow these instructions

To help prevent product toppling over please follow the below steps:-

Use the anti tip strap or wall fixing method provided (if applicable)  
Do not allow children to climb or hang on the furniture  
Do not open more than one drawer at a time  
Do not place heavy items in the top drawers  
Do not place heavy items on top of the furniture, unless the furniture has been designed for this purpose

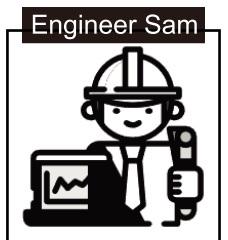
Please note that only the anti tip strap is provided.

You will need to provide wall plugs and screws applicable for your wall type

# Note

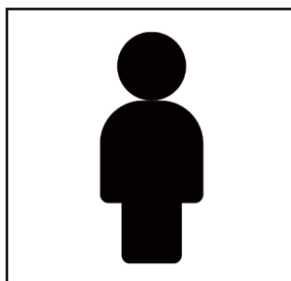
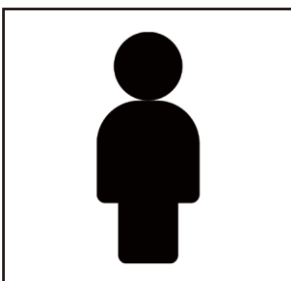
In order to enhance product durability, extend its lifespan, improve your user experience, and save time, we provide the following suggestions to assist you with the assembly process:

1. Please follow the installation steps to avoid unnecessary effort or assembly failures.
2. We suggest checking all screws every six months to ensure they are secure. If any screws are loose or if there are signs of rust, severe deformation, or wear, please tighten or replace the components promptly to maintain product performance and extend its lifespan.



No matter what problem you encounter, it is recommended to try our after-sales service first. Sending your question to the service staff in the form of a picture or video will help the service staff better understand your question so that they can better help you. Returning a product is a very difficult thing to do, before you decide to return it, please contact the service staff, a refund and a brand new product will be better options.

## Person Recommended





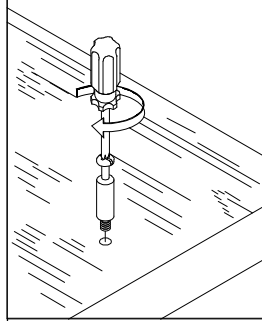
# Using Camlocks

## Step 1

Connect the male camlock as directed in the assembly instructions using a screwdriver.

1

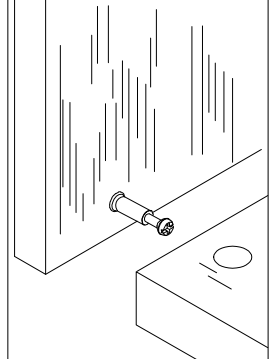
DO NOT OVER TIGHTEN.  
NE PAS SERRER EXCESSIVEMENT.



## Step 2

Push the male camlock into the entry hole.

2

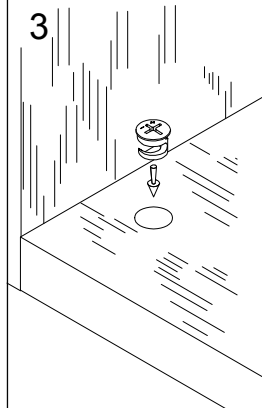


## Step 3

Insert the female camlock as shown in the instruction.

Note: ensure that the arrow on the top of the camlock points towards the entry hole for the male camlock.

3



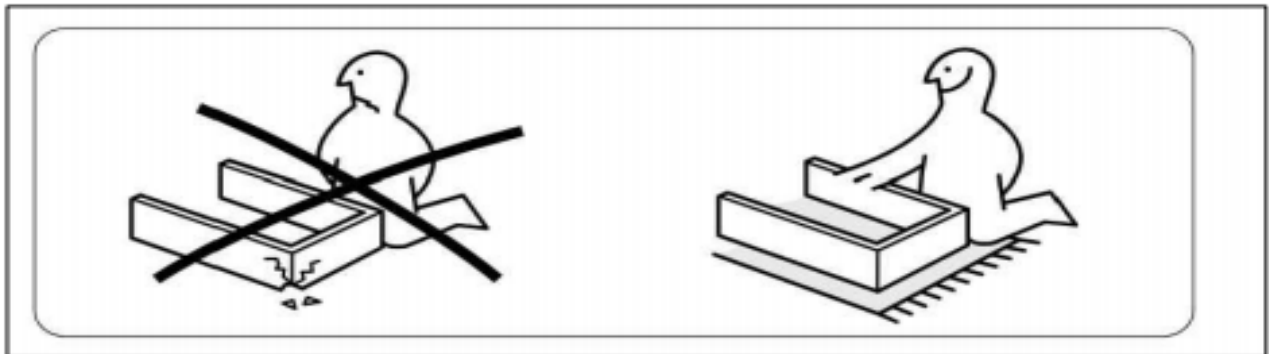
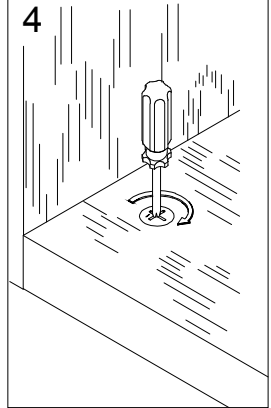
## Step 4

Turn the female camlock clockwise with a screwdriver.

You should feel a click when the camlock is locked in place.

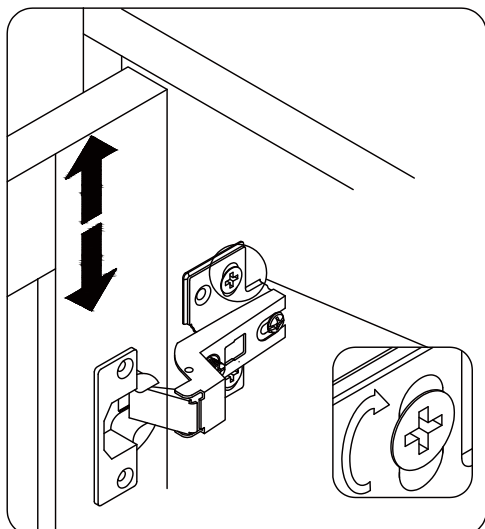
The joint is now secure.

4

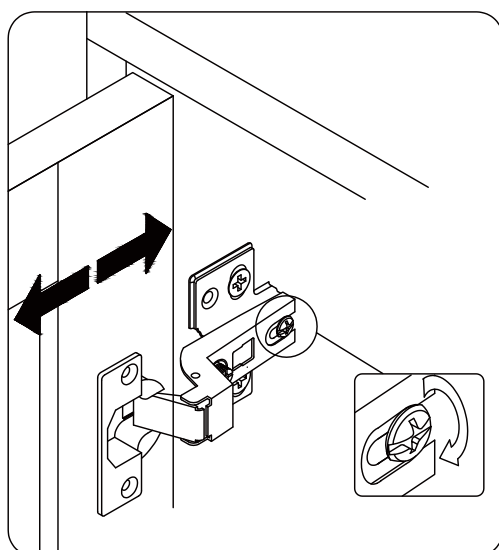


**Make sure to put one carpet or some thicker film under the cabinet body during the installation in order to avoid scratch or damage to the parts.**

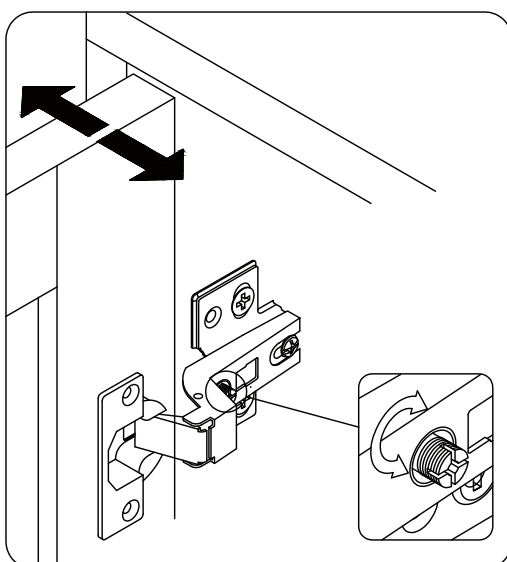
## Way of using hinges



Before assembly  
determine the position of the door  
the oval hole on the hinge could  
adjust door UP & DOWN

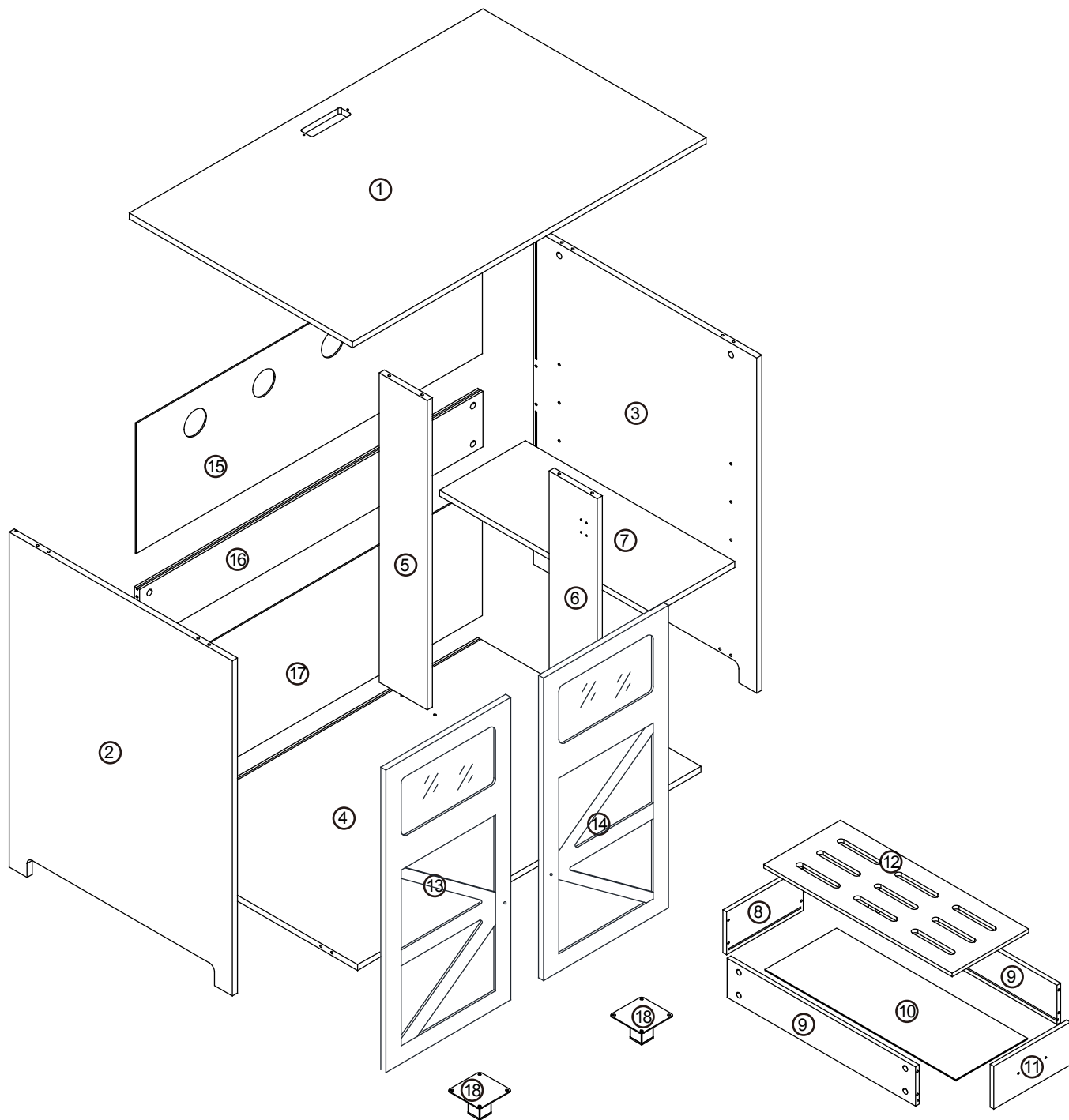


Turn the screw  
at the end of the hinge  
adjust door FRONT & BACK

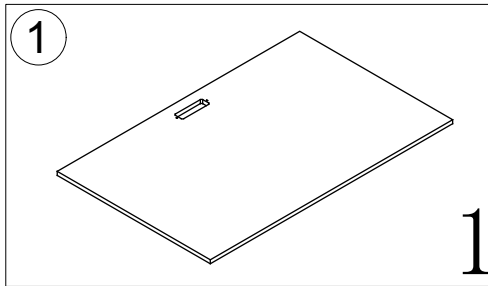
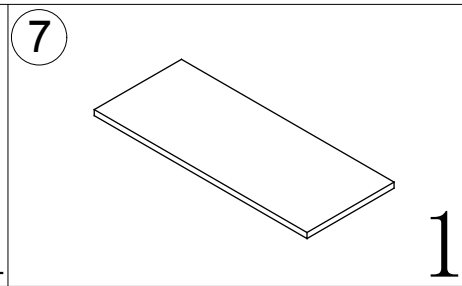
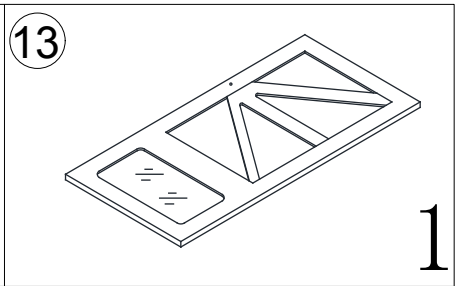
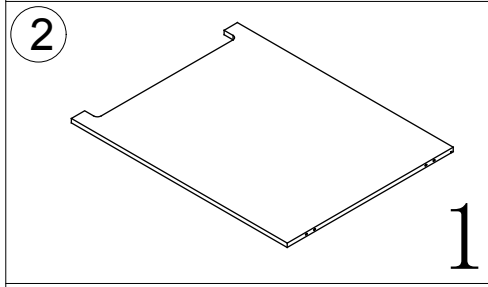
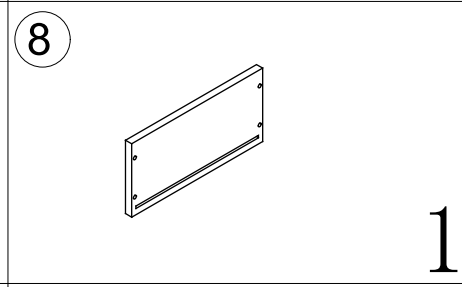
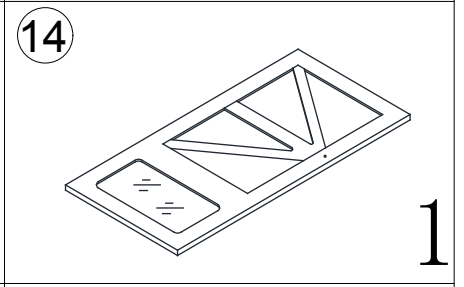
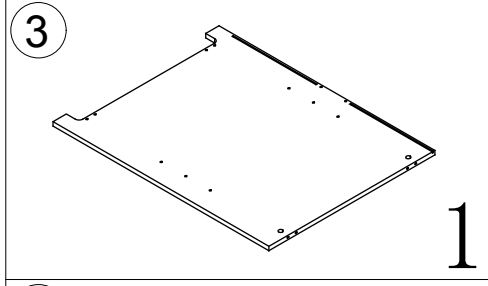
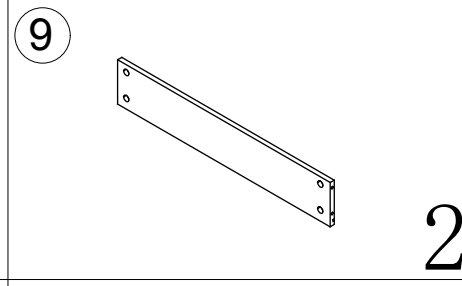
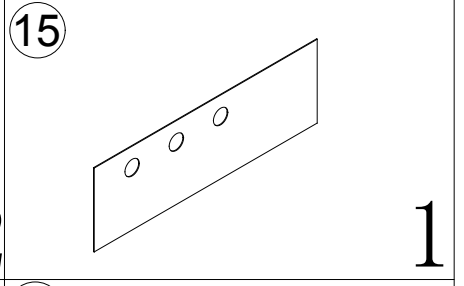
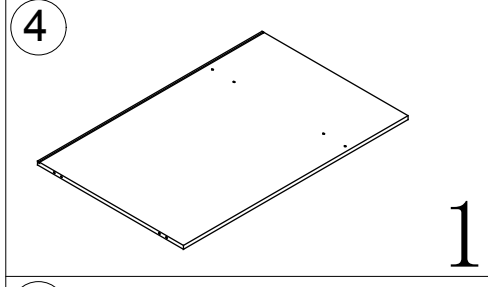
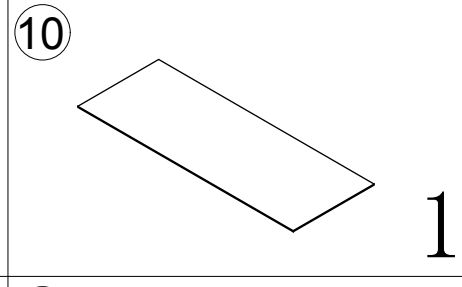
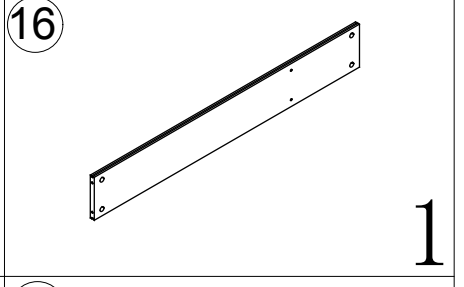
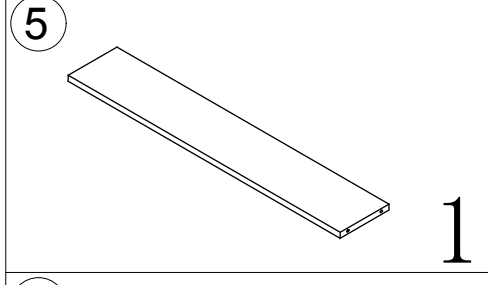
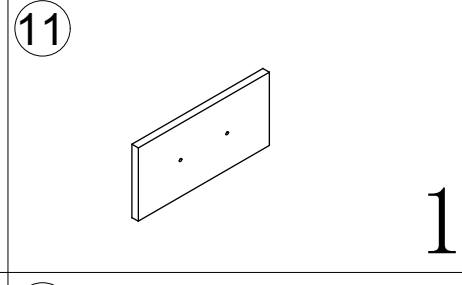
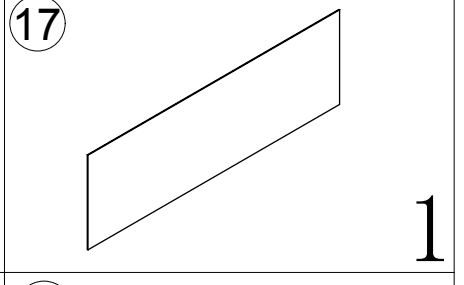
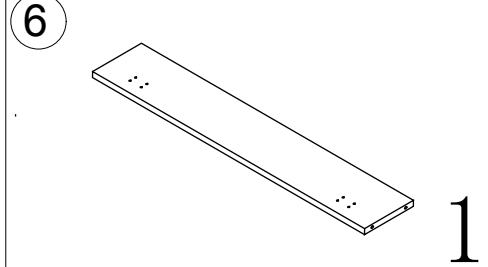
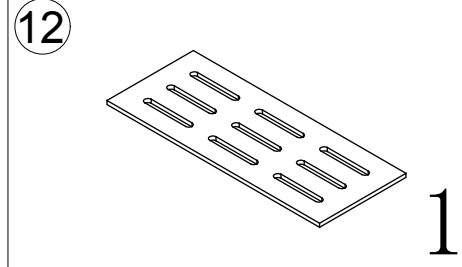
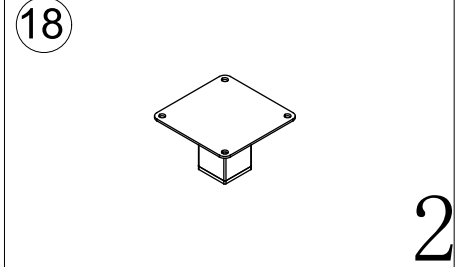


Turn the screw  
at the middle of the hinge  
adjust door LEFT & RIGHT

# Assembly Instructions

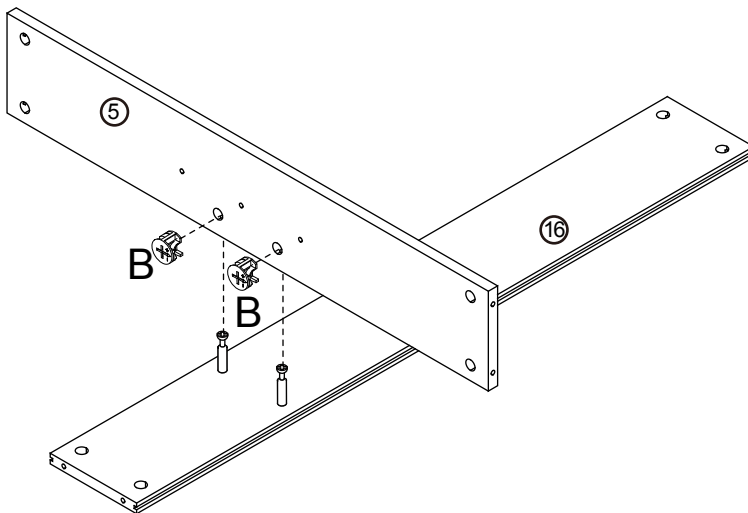
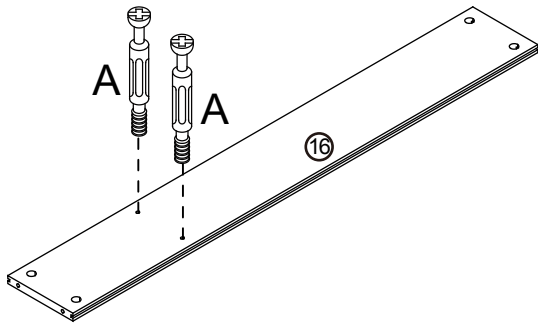
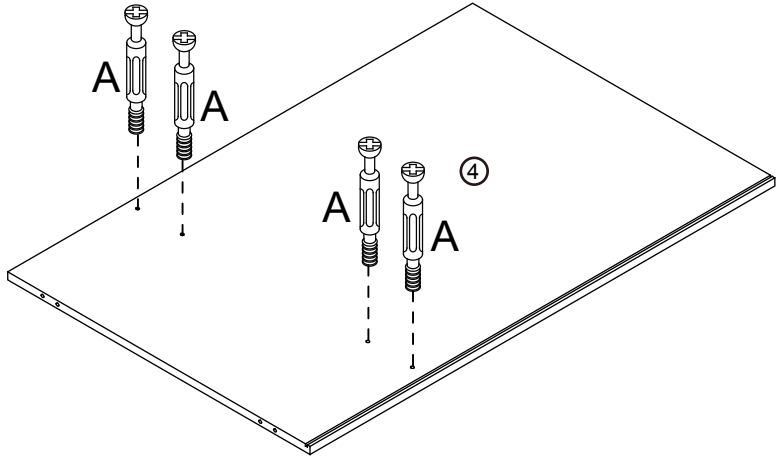
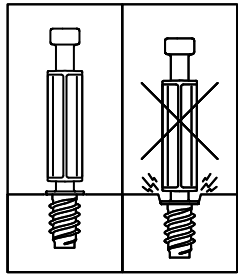




# Assembly Instructions

 <p>1</p>	 <p>7</p>	 <p>13</p>
 <p>2</p>	 <p>8</p>	 <p>14</p>
 <p>3</p>	 <p>9</p>	 <p>15</p>
 <p>4</p>	 <p>10</p>	 <p>16</p>
 <p>5</p>	 <p>11</p>	 <p>17</p>
 <p>6</p>	 <p>12</p>	 <p>18</p>

# Assembly Instructions

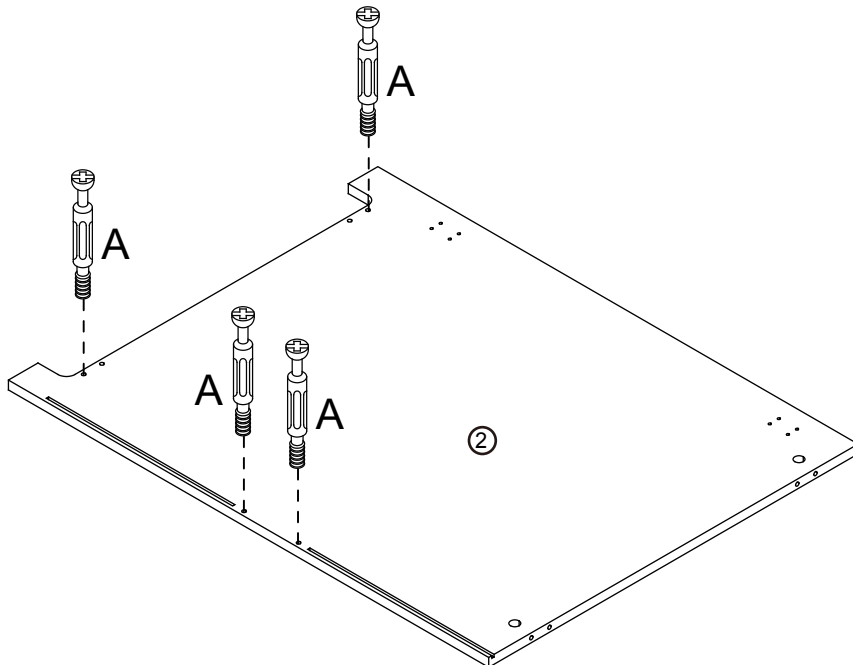
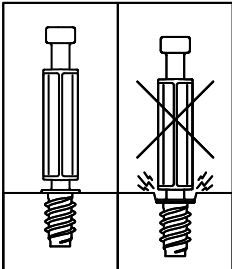
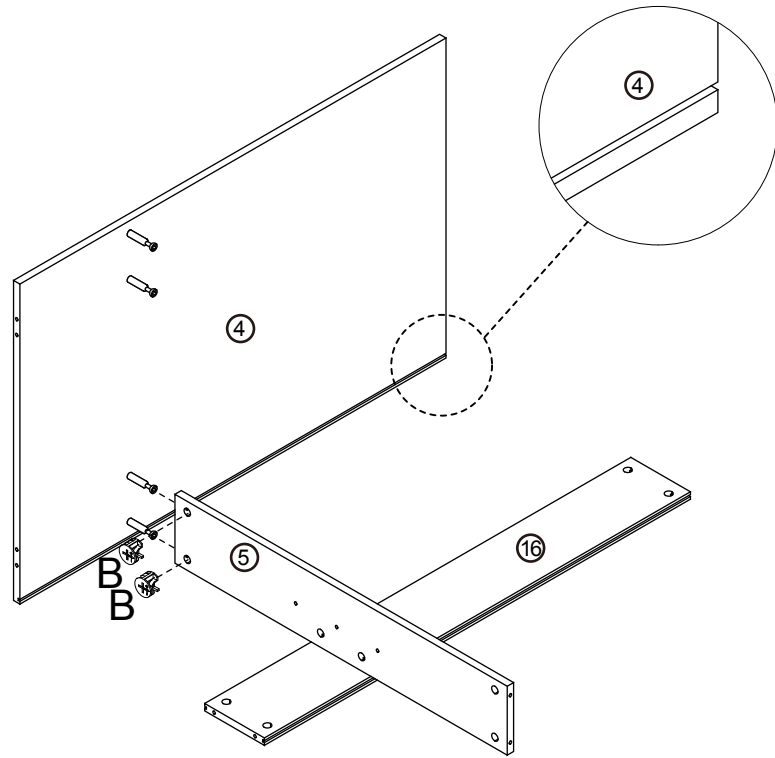
## Step 1





A		X6
B		X2

# Assembly Instructions

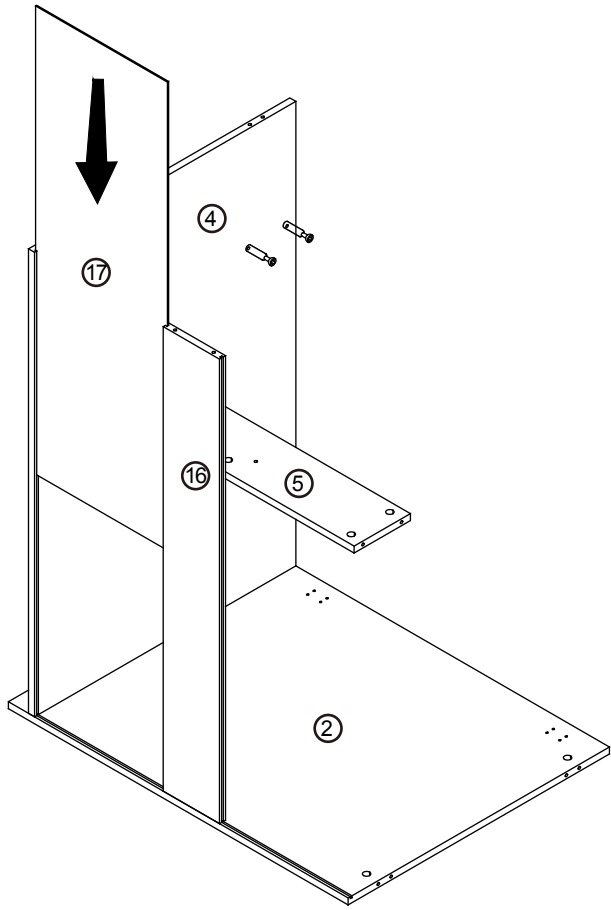
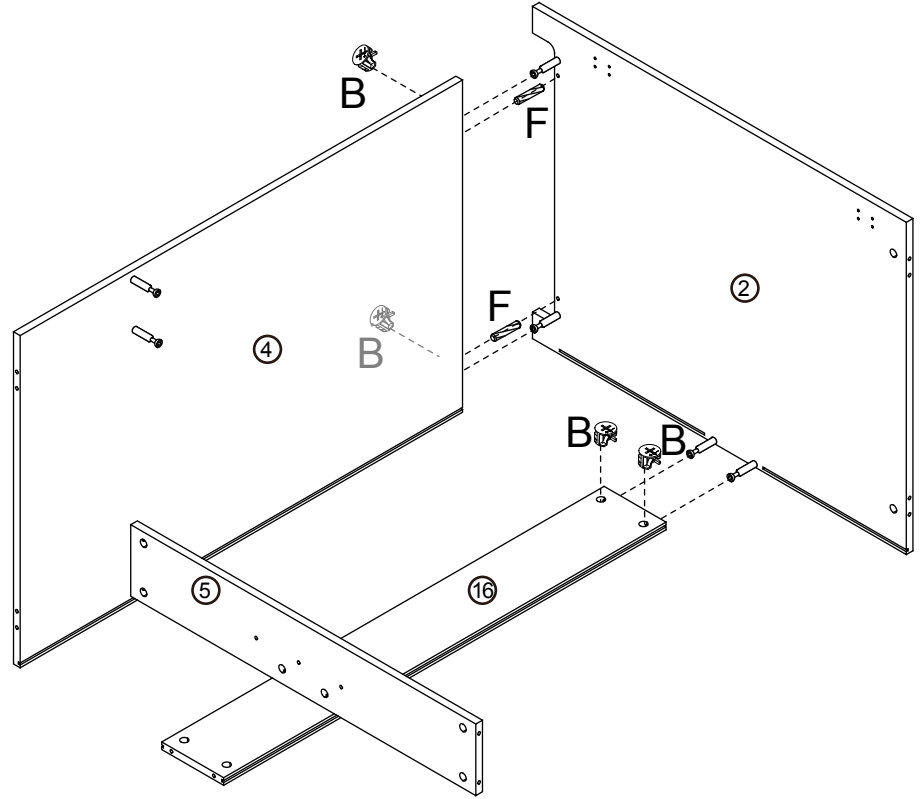
## Step 2





A		X4
B		X2

# Assembly Instructions

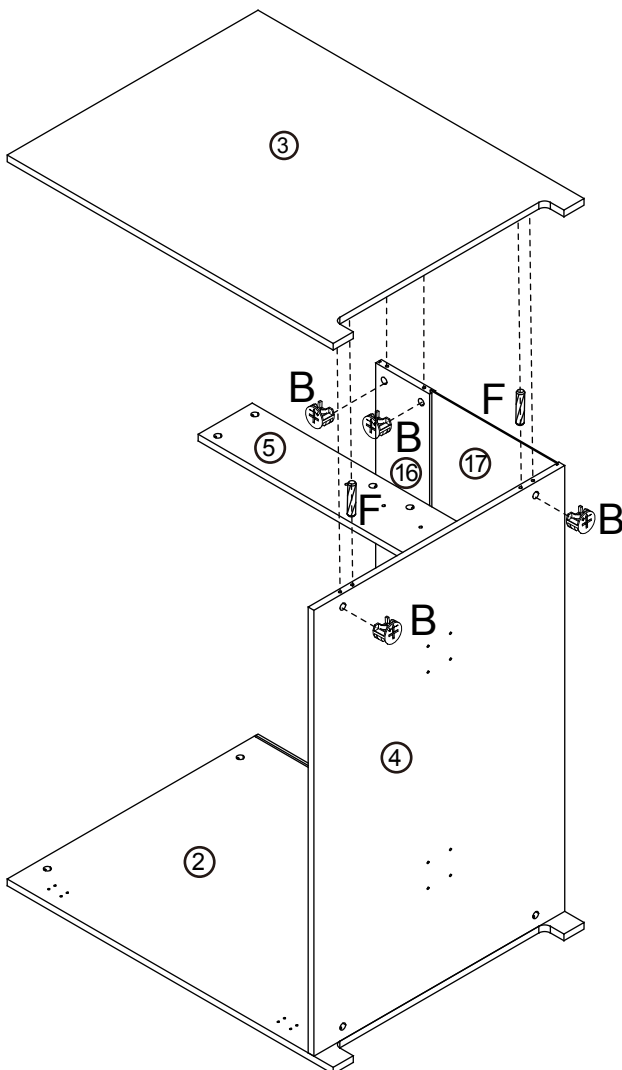
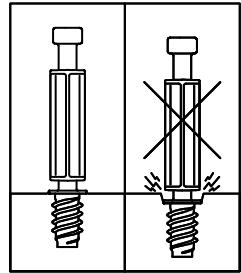
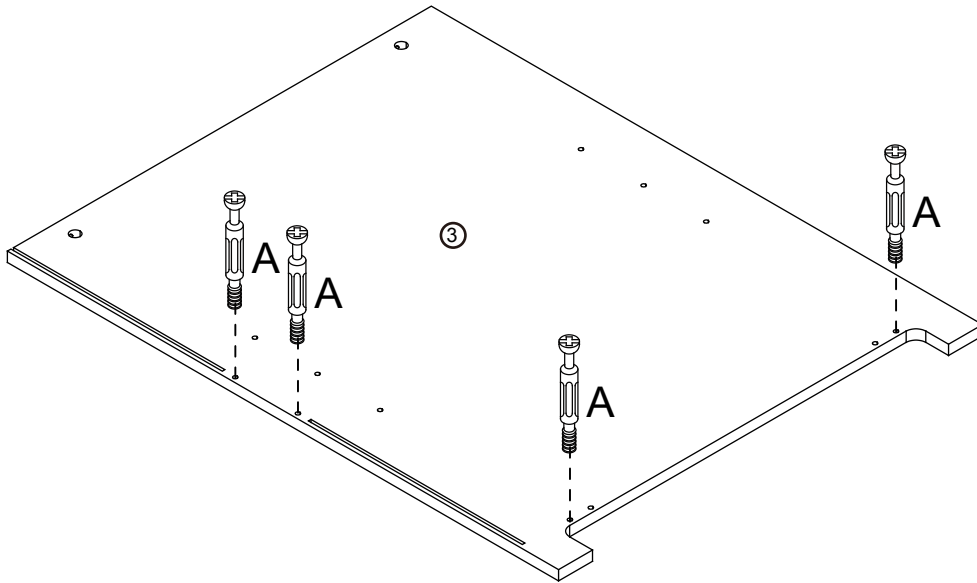
## Step 3






B		X4
F		X2

# Assembly Instructions

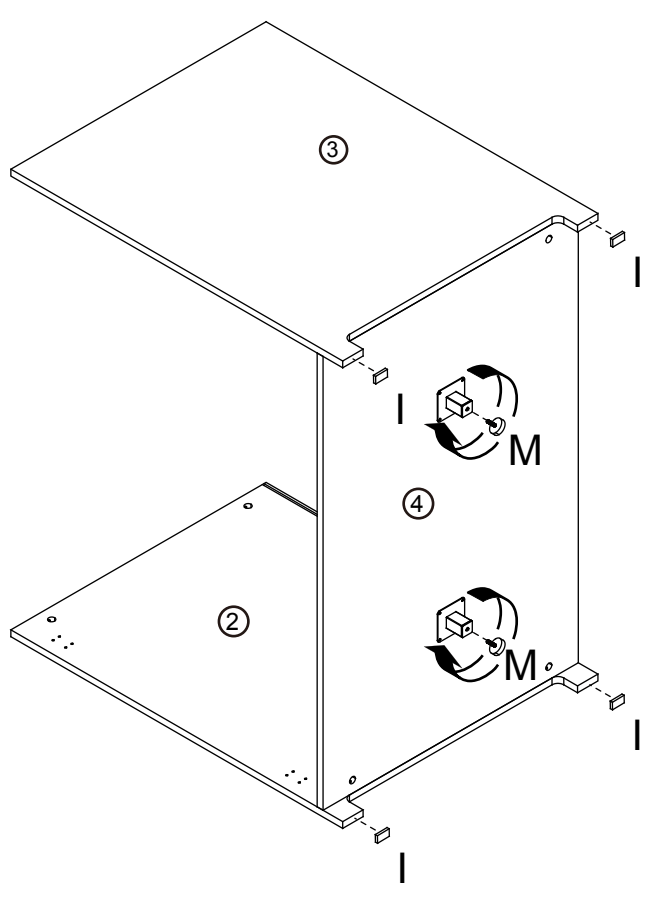
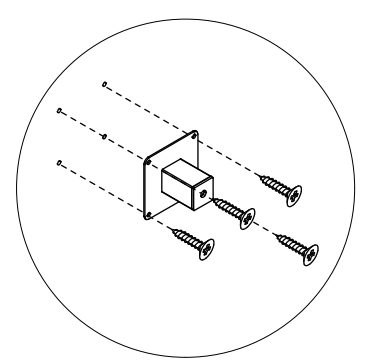
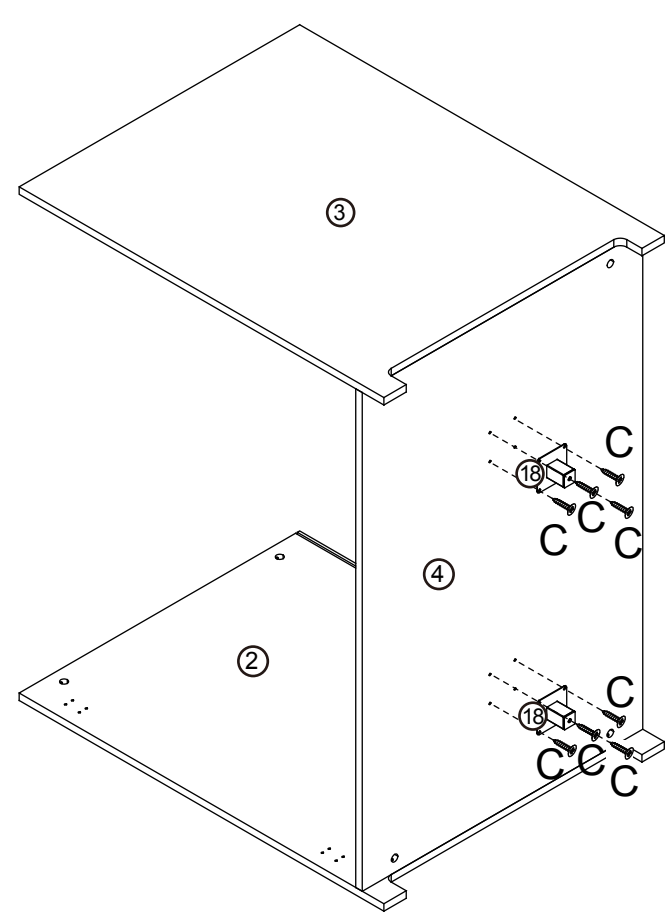
## Step 4

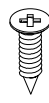

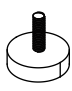


A		X4
B		X4
F		X2

# Assembly Instructions

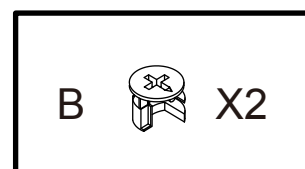
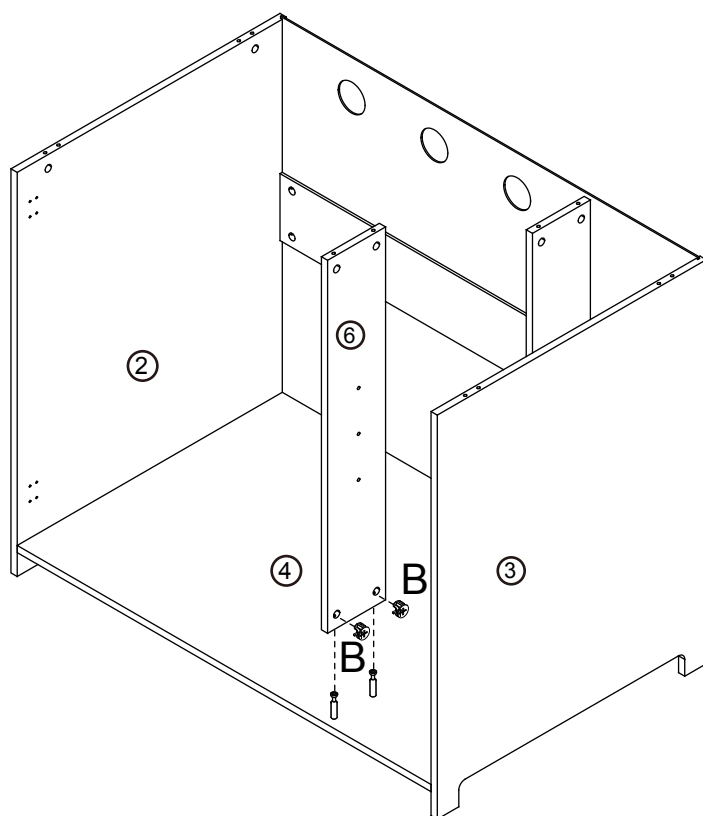
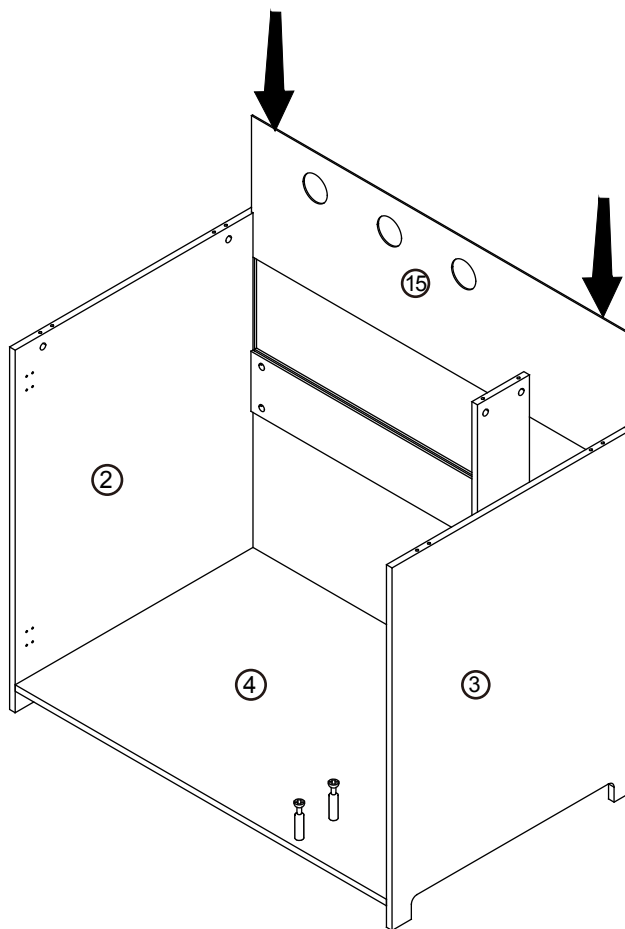
## Step 5



C		X8
I		X4
M		X2

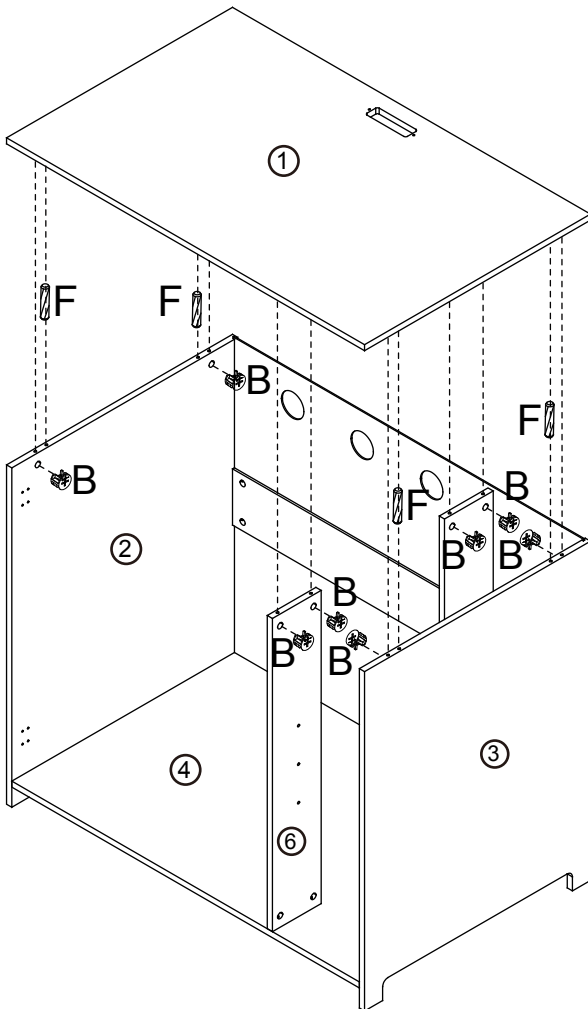
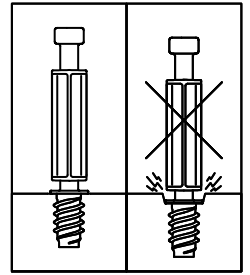
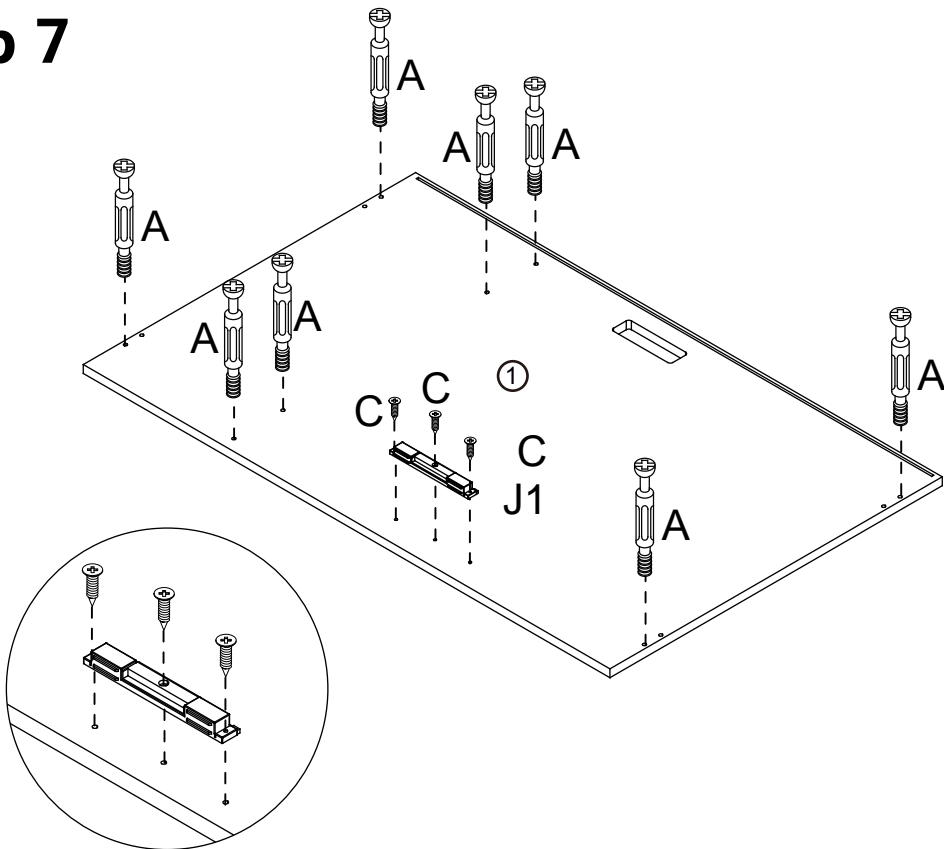
# Assembly Instructions

## Step 6



# Assembly Instructions

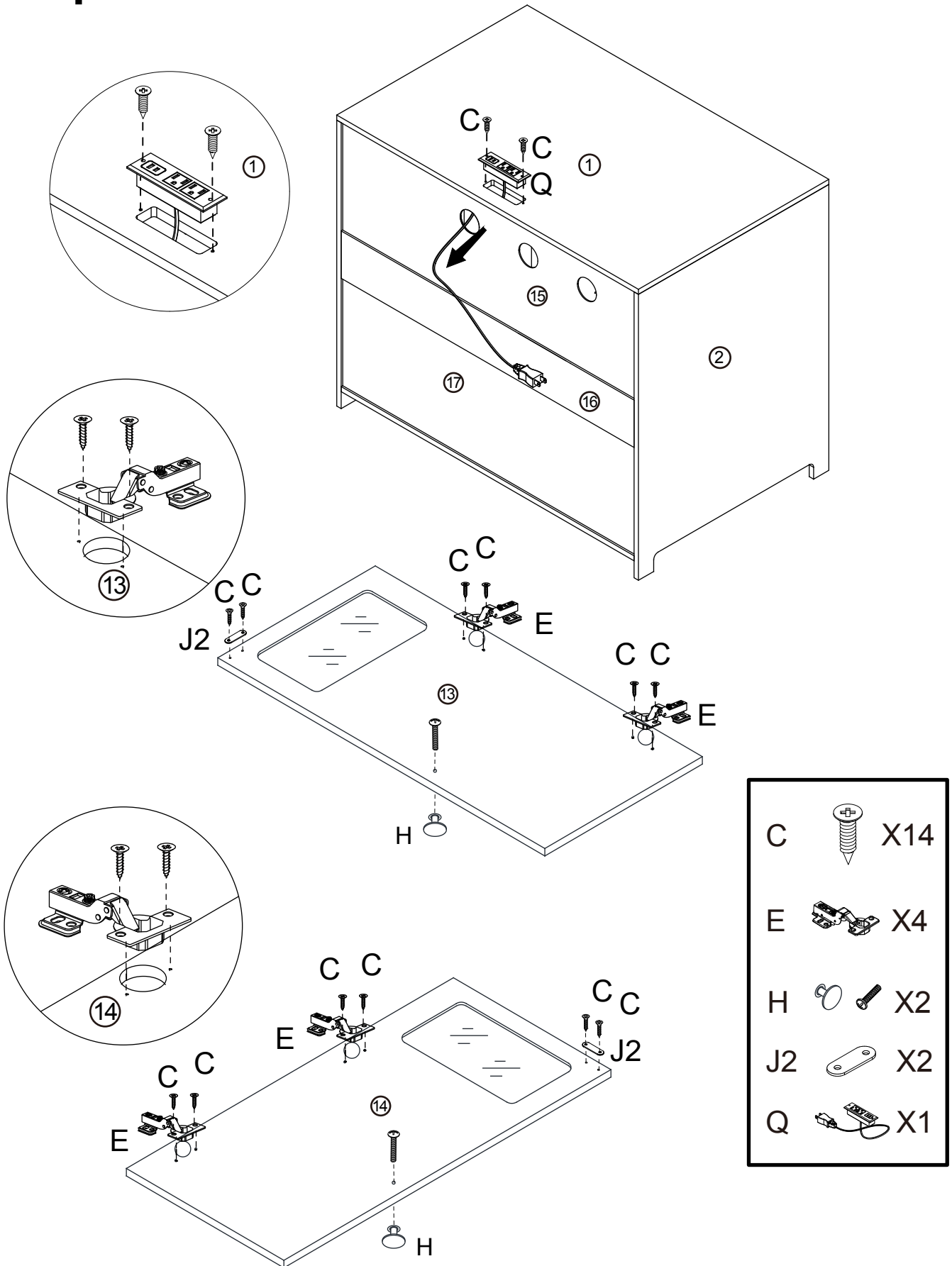
## Step 7



A		X8
B		X8
C		X3
F		X4
J1		X1

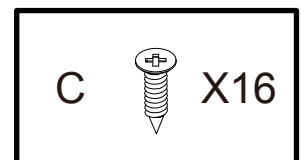
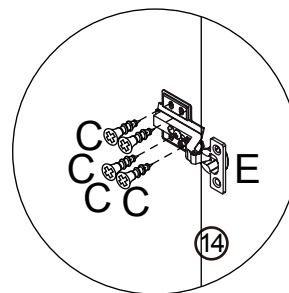
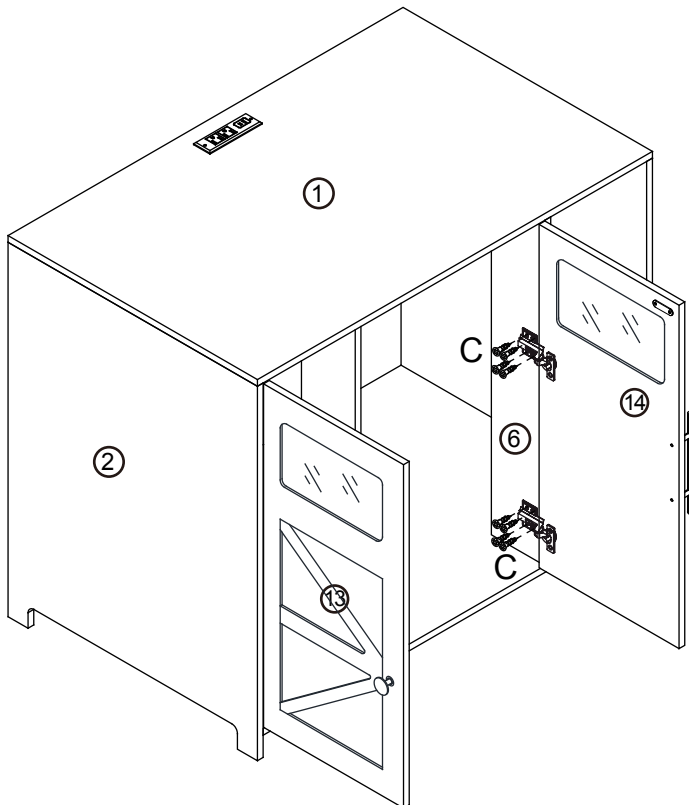
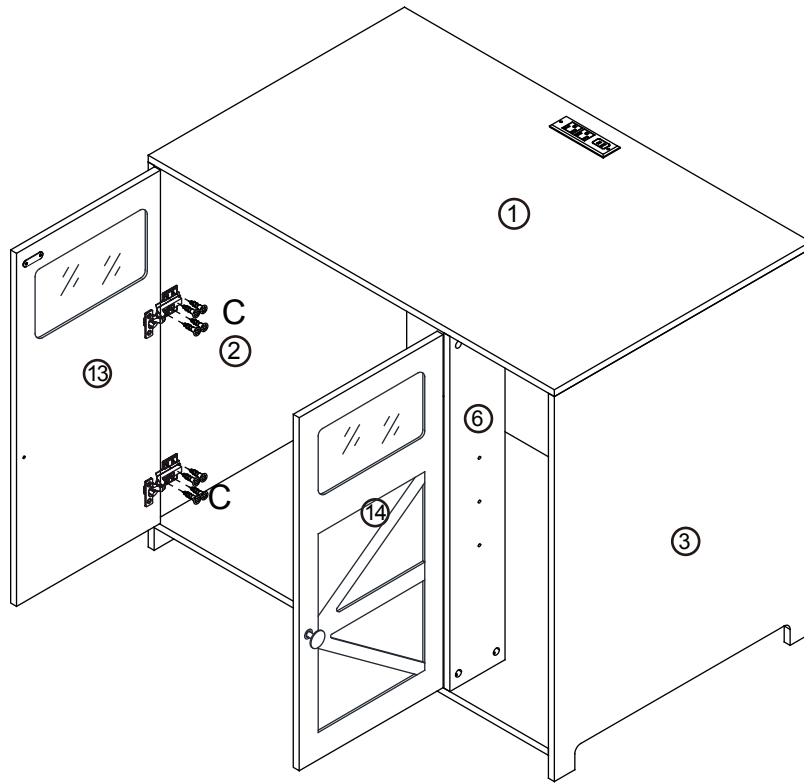
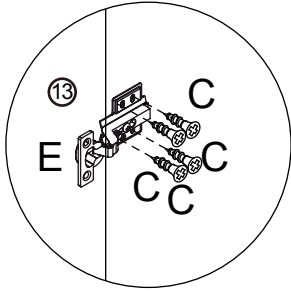
# Assembly Instructions

## Step 8



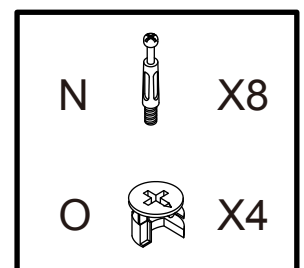
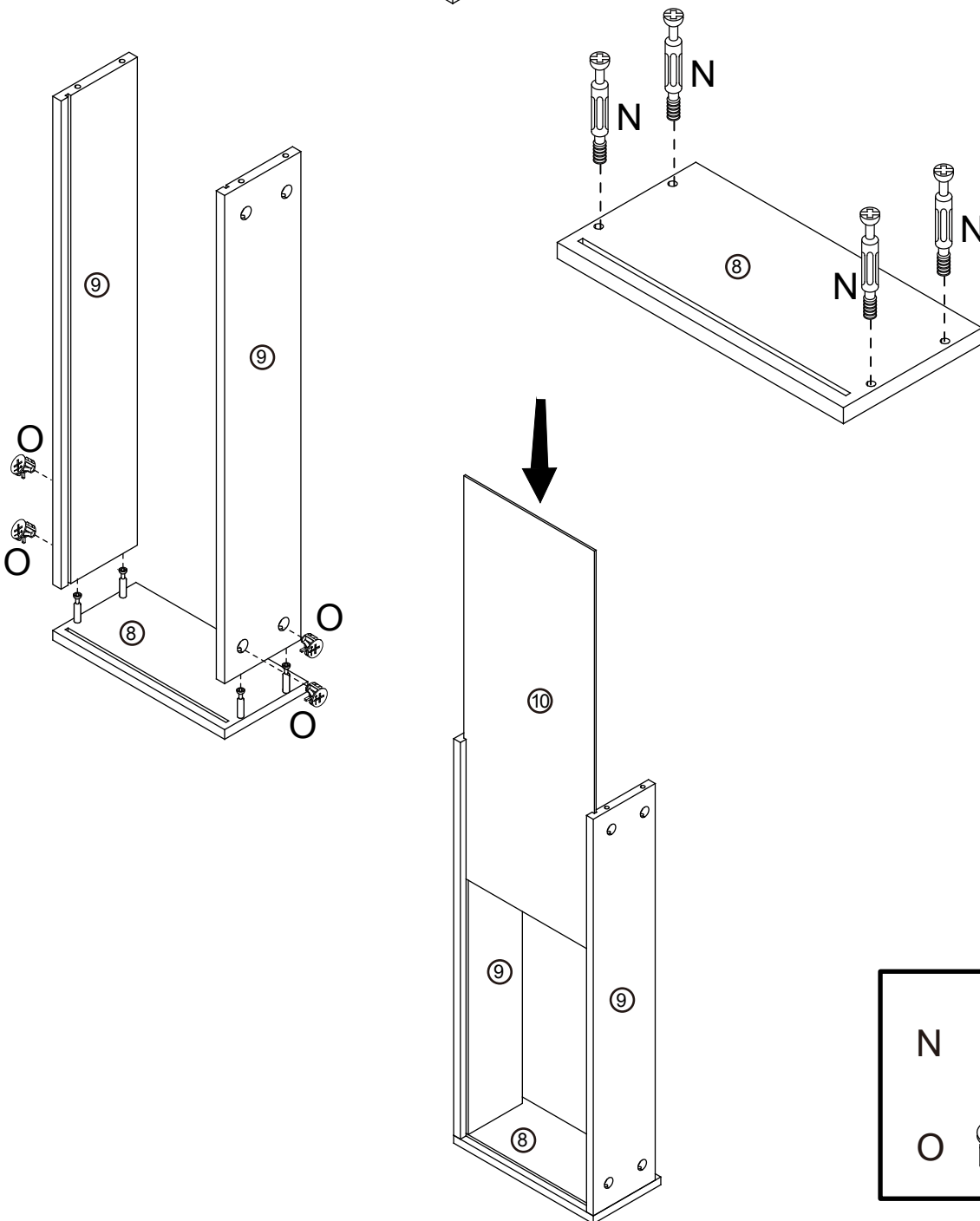
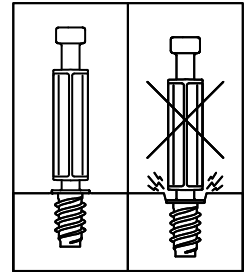
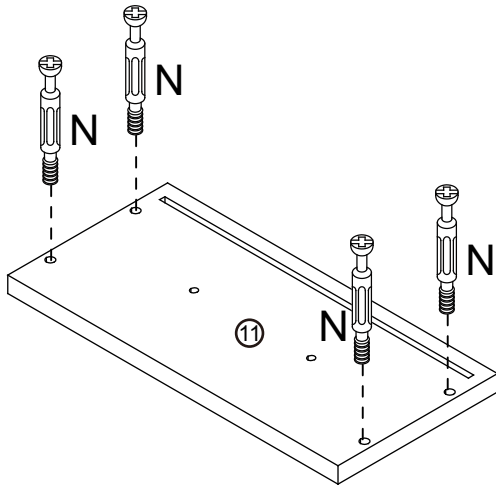
# Assembly Instructions

## Step 9



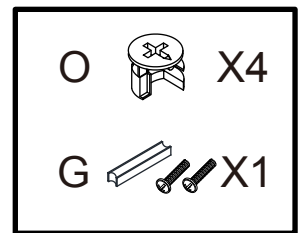
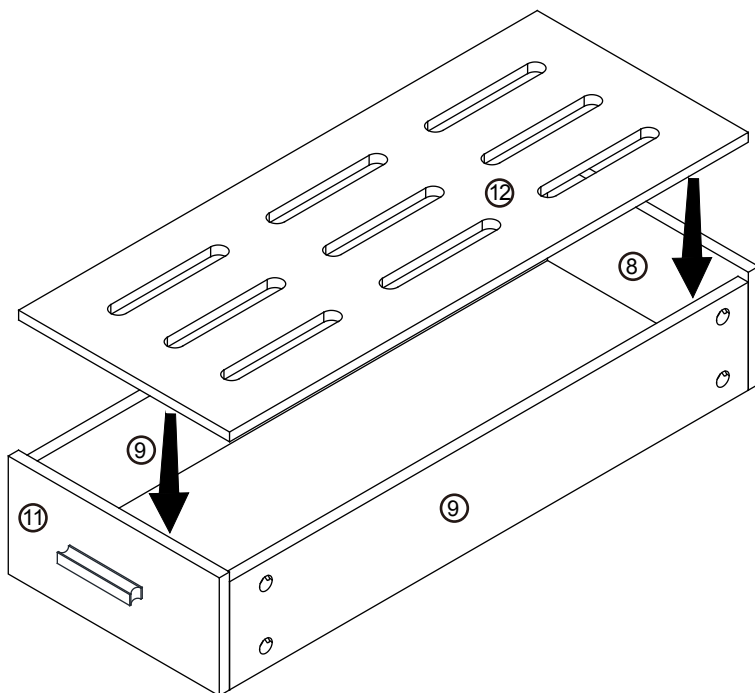
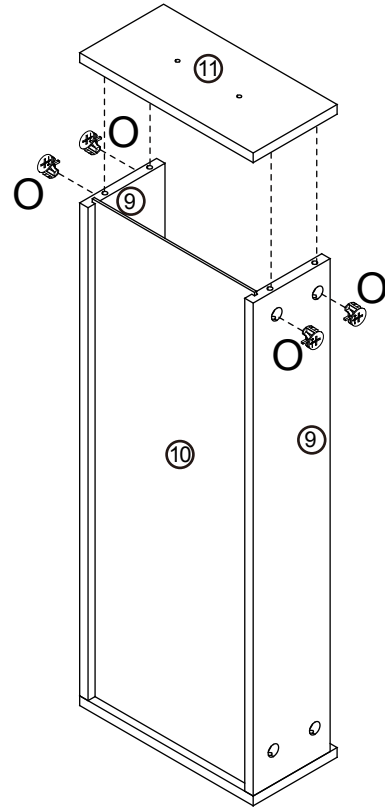
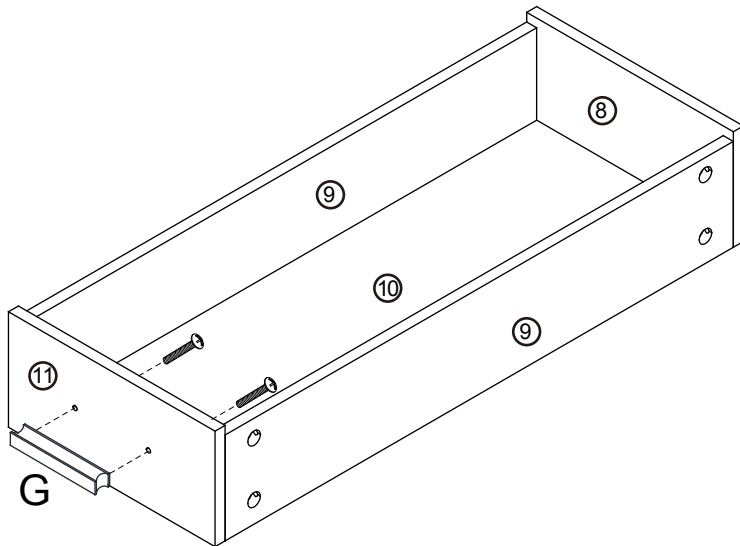
# Assembly Instructions

## Step 10



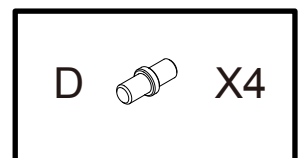
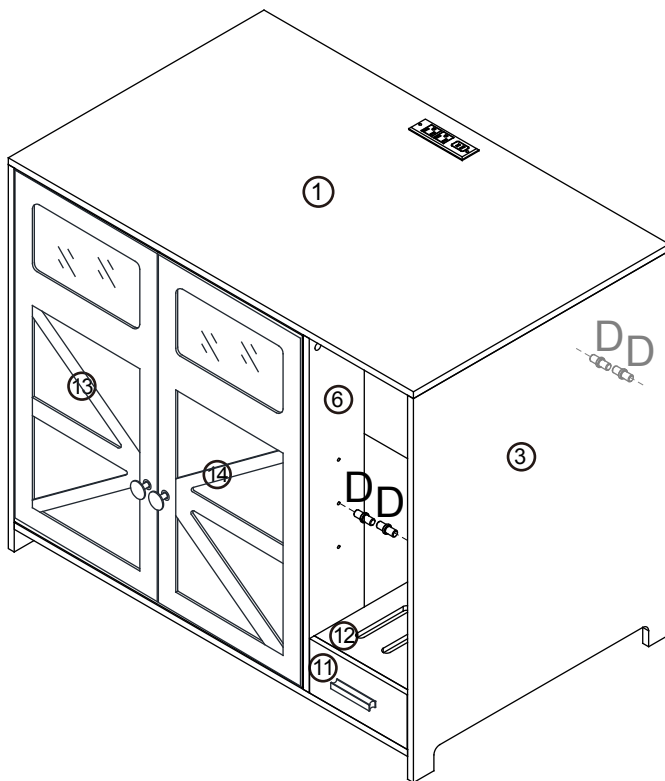
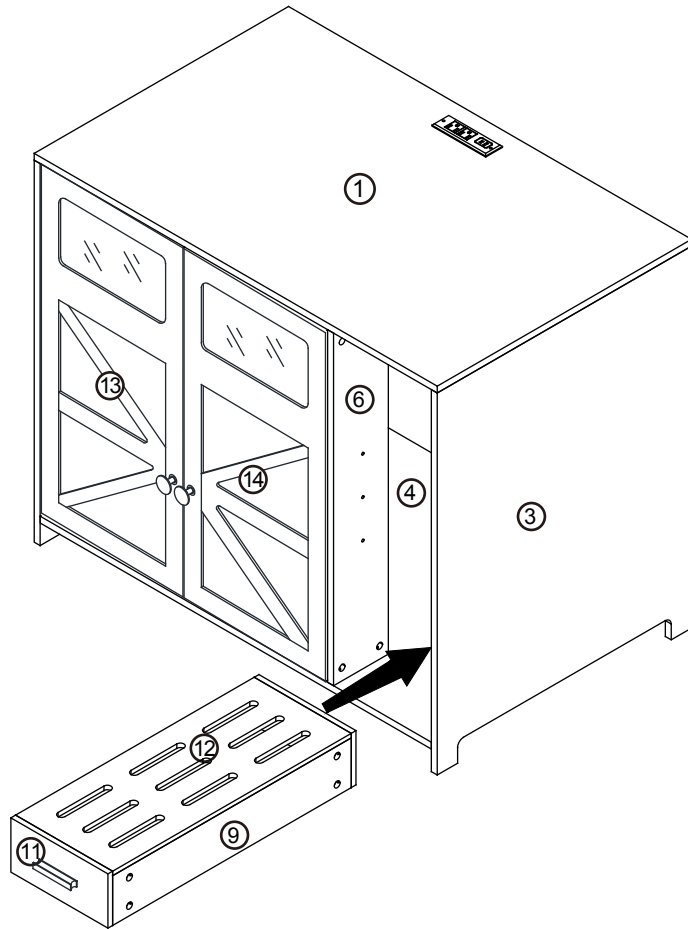
# Assembly Instructions

## Step 11



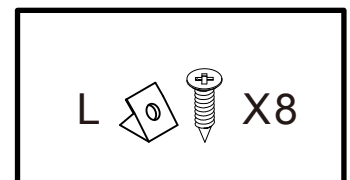
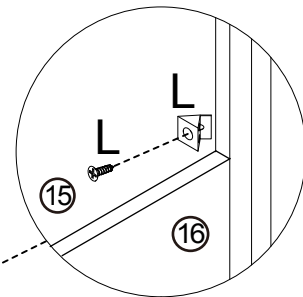
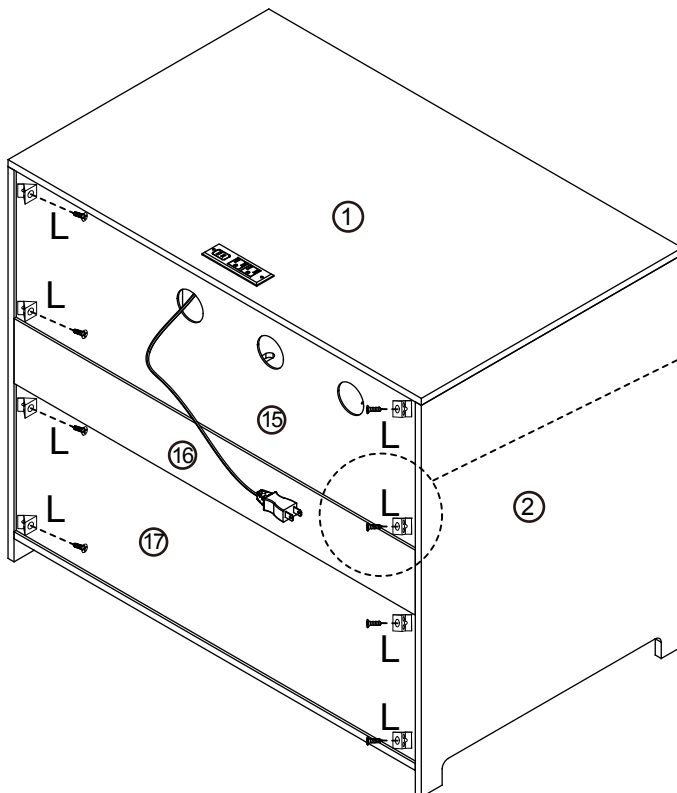
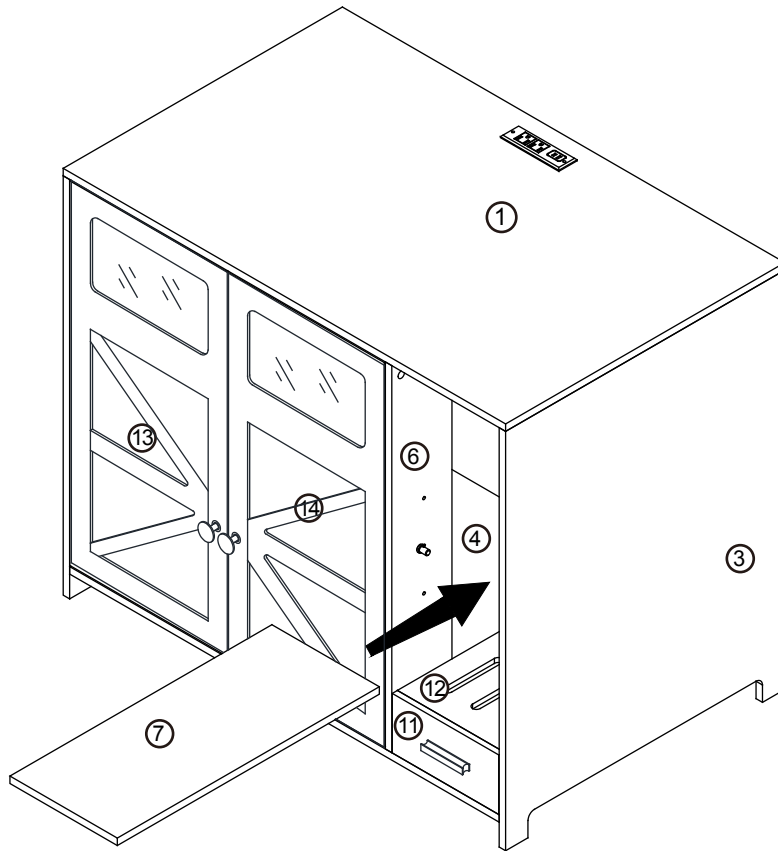
# Assembly Instructions

## Step 12



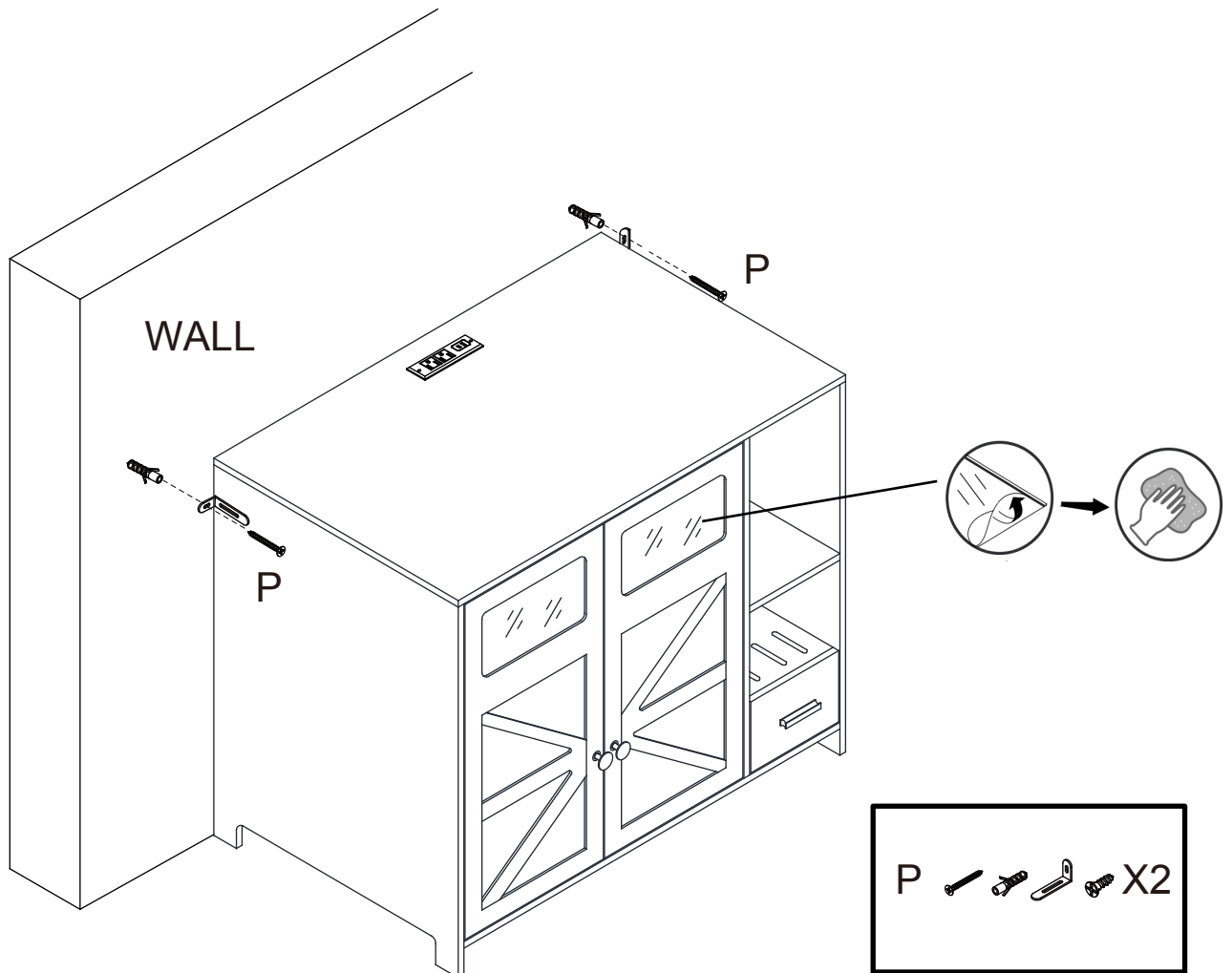
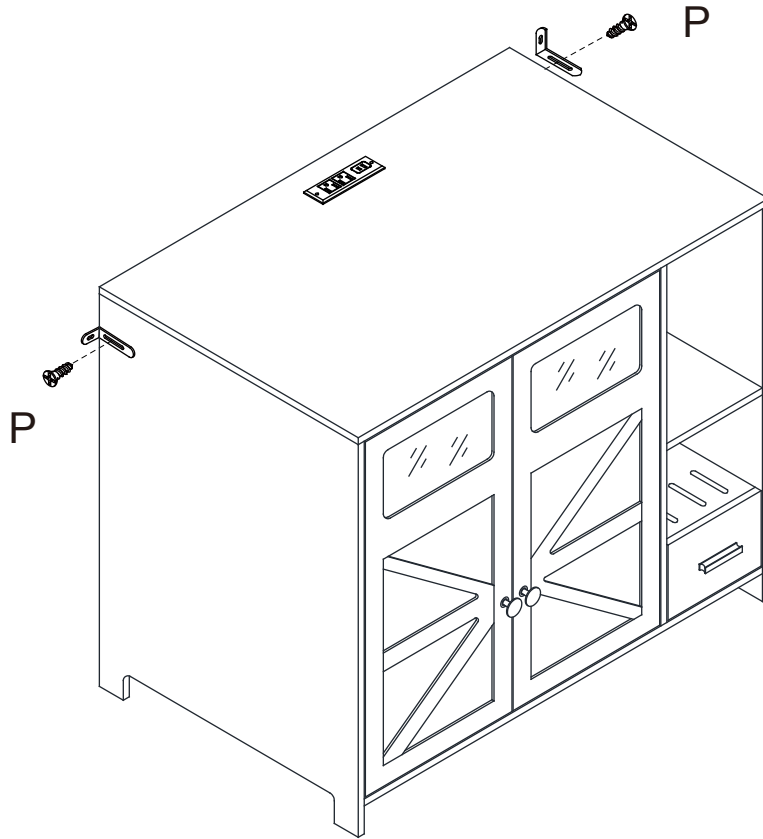
# Assembly Instructions

## Step 13



# Assembly Instructions

## Step 14



## ATTENTION

We will provide our best customer support.

If you have any questions or issues during installation, please send an email with your telephone number and address. We will provide installation support, guided videos and offer reissues for any defective parts. All queries will be addressed within 24 hours.

Customer satisfaction is of the utmost importance to us!

