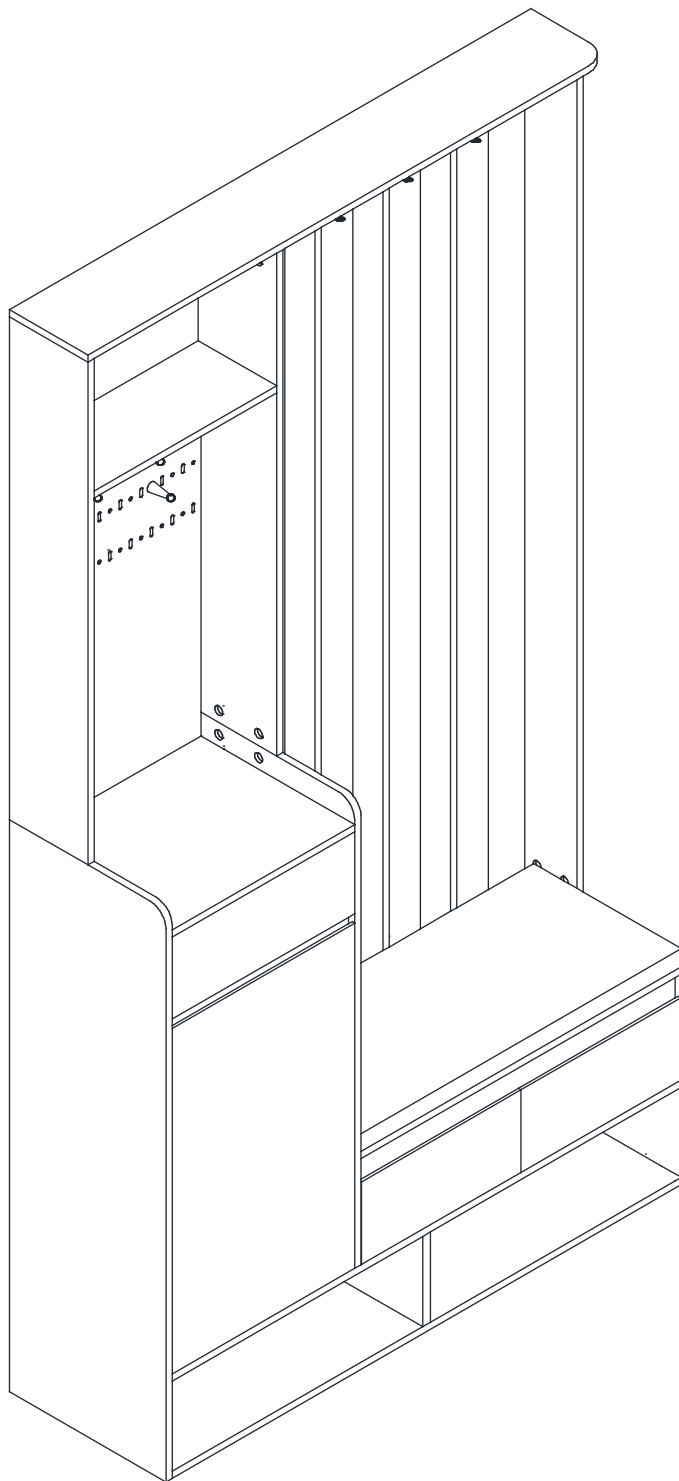


# Hall Tree

**Assembly Instructions - Please keep for future reference**



## Dimensions

Width-39.37inch

Depth-11.8inch

Height-70.87inch

**Important – Please read these instructions fully before starting assembly**



# Safety and Care Advice

**Important – Please read these instructions fully before starting assembly**

- Check you have all the components and tools listed on the following pages.
- Remove all fittings from the plastic bags and separate them into their groups.
- Keep children and animals away from the work area, small parts could choke if swallowed.
- Make sure you have enough space to layout the parts before starting.

- During assembly do not stand or put weight on the product, this could cause damage.
- Assemble the item as close to its final position (in the same room) as possible.
- Assemble on a soft level surface to avoid damaging the unit or your floor.
- Parts of the assembly will be easier with 2 people.



power drill is set on a low torque setting.

- To reduce the likelihood of damaging your product please ensure that your

## Care and maintenance

- Only clean using a damp cloth and mild detergent, do not use bleach or abrasive cleaners.
- From time to time check that there are no loose screws on this unit.
- This product should not be discarded with household waste. Take to your local authority waste disposal centre.

## Handy Hints

- Assemble all parts and bolts loosely during assembly, only once the product is complete should you fully tighten the bolts
- Regularly check and ensure That all bolts and fittings are tightened properly.

## **WARNING** In order to help prevent overturning – please follow these instructions

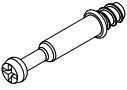

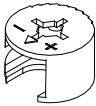


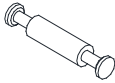
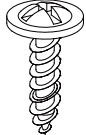
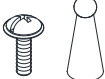
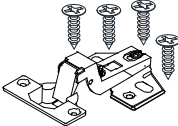


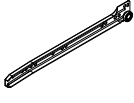


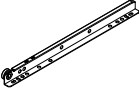


To help prevent product toppling over please follow the below steps:-

- Use the anti tip stap or wall fixing method provided (if applicable)
- Do not allow children to climb or hang on the furniture
- Do not open more than one drawer at a time
- Do not place heavy items in the top drawers
- Do not place heavy items on top of the furniture, unless the furniture has been designed for this purpose

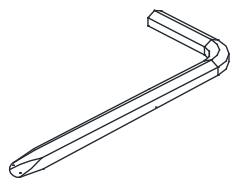
# Components - Fittings

Please check you have all the panels listed below

Note: The quantities below are the correct amount to complete the assembly. In some cases more fittings may be supplied than are required.

<p><b>A</b></p>  <p>Cam Bolt x 72+2</p>	<p><b>B</b></p>  <p>Dowel x 36+2</p>	<p><b>C</b></p>  <p>Cam lock x 80+2</p>	<p><b>D</b></p>  <p>3.5*12mm Screw x 24+2</p>
<p><b>E</b></p>  <p>3*14 Hook x 4SET</p>	<p><b>F</b></p>  <p>Stud Bolt x 4</p>	<p><b>G</b></p>  <p>2.6*10mm Screw x 34+2</p>	<p><b>H</b></p>  <p>4*24mm Hook x 4SET</p>
<p><b>I</b></p>  <p>3.5*14mm Hinge x 2SET</p>	<p><b>J</b></p>  <p>4*25mm Screw x 12+1</p>	<p><b>K</b></p>  <p>4*35mm Anti falling iron sheet x 2SET</p>	<p><b>CL</b></p>  <p>250mm runner x 3</p>
<p><b>CR</b></p>  <p>250mm runner x 3</p>	<p><b>DL</b></p>  <p>250mm runner x 3</p>	<p><b>DR</b></p>  <p>250mm runner x 3</p>	<p><b>L</b></p>  <p>Allen key x 1</p>
<p><b>M</b></p>  <p>Hole sticker x 80+2</p>			

## Tools required



Phillips screwdriver  
(medium & large)

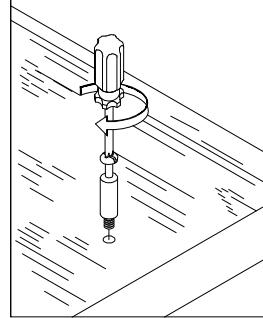
# Using Camlocks

## Step 1

Connect the male camlock as directed in the assembly instructions using a screwdriver.

1

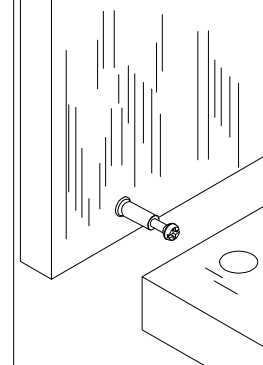
DO NOT OVER TIGHTEN.  
NE PAS SERRER EXCESSIVEMENT.



## Step 2

Push the male camlock into the entry hole.

2

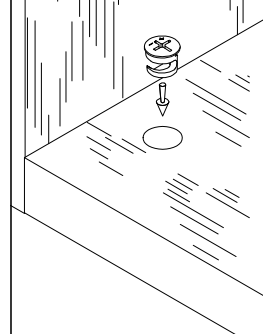


## Step 3

Insert the female camlock as shown in the instruction.

Note: ensure that the arrow on the top of the camlock points towards the entry hole for the male camlock.

3



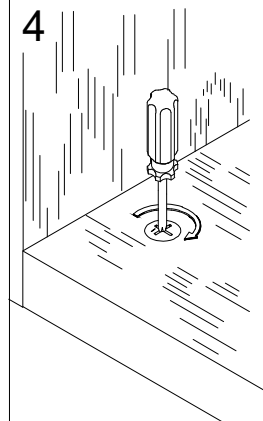
## Step 4

Turn the female camlock clockwise with a screwdriver.

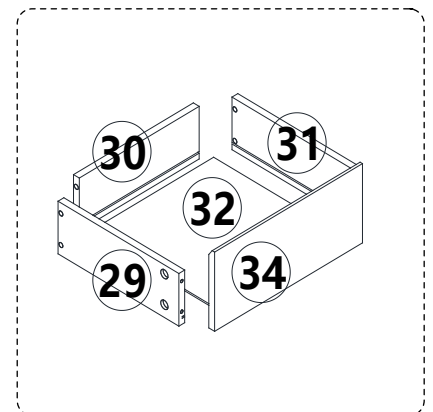
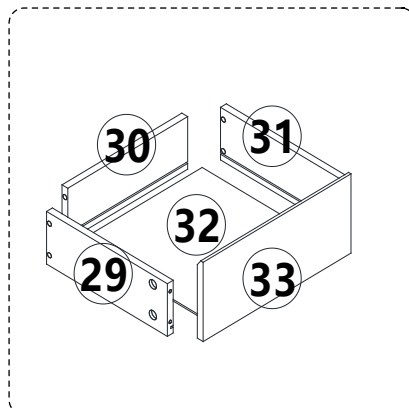
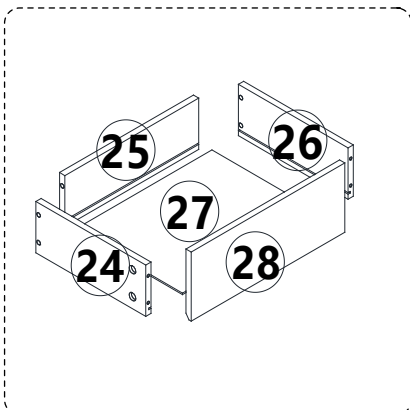
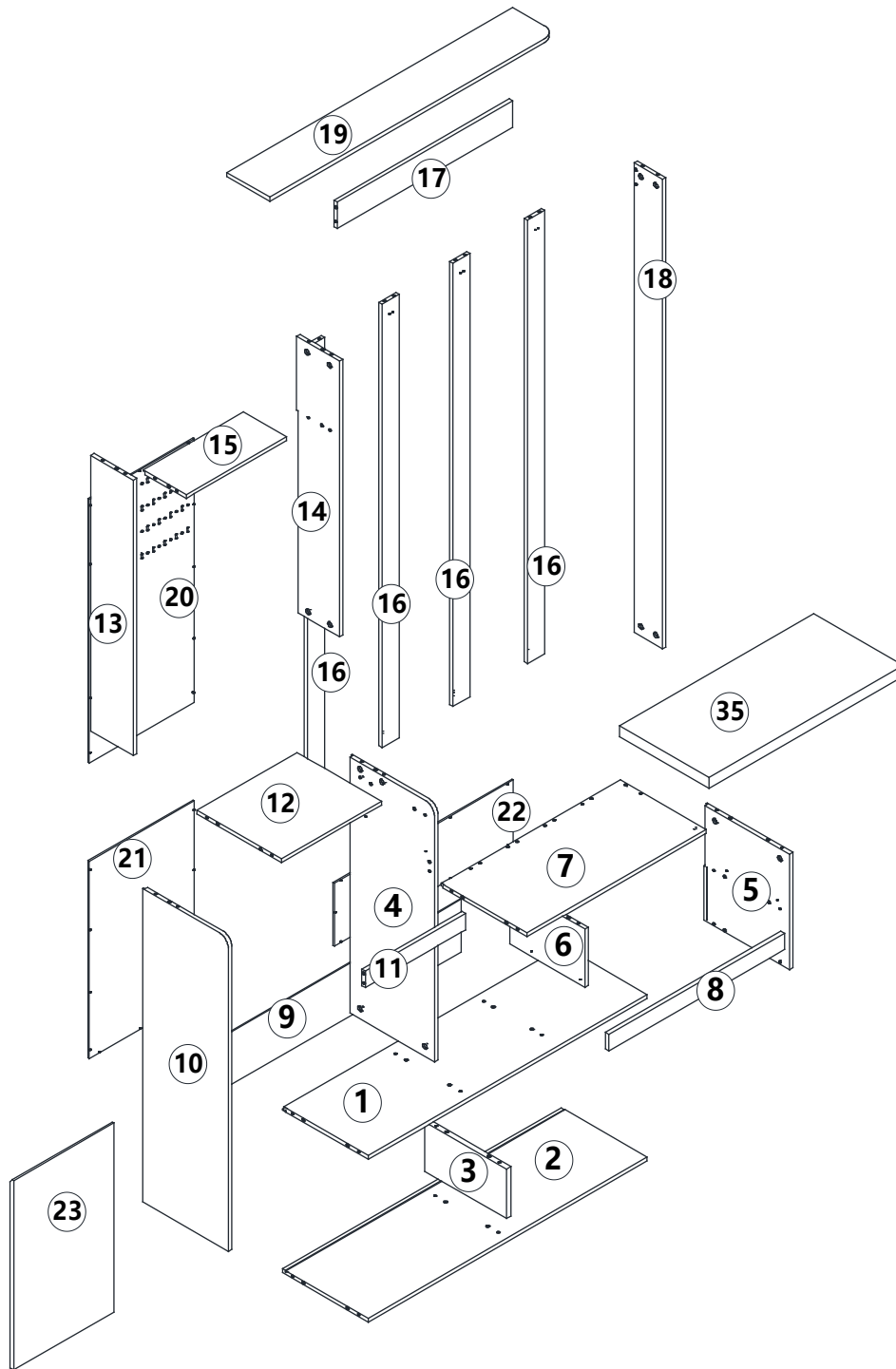
You should feel a click when the camlock is locked in place.

The joint is now secure.

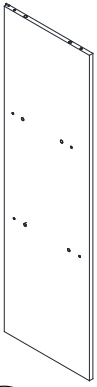
4



# Assembly Instructions



# PART LIST



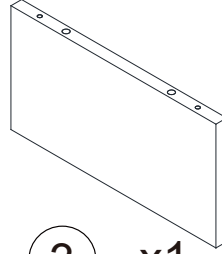
① x1

Middle panel  
976\*300\*12mm



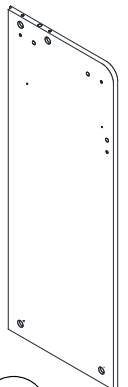
② x1

Bottom panel  
976\*300\*12mm



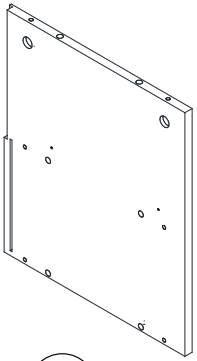
③ x1

Middle side panel  
280\*150\*12mm



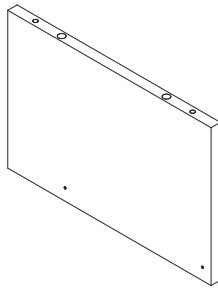
④ x1

Right side panel  
778\*300\*12mm



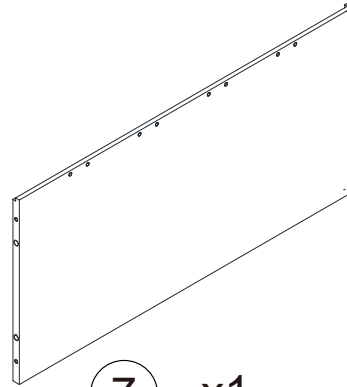
⑤ x1

Right side panel  
335\*300\*12mm



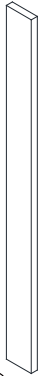
⑥ x1

Middle side panel  
280\*120\*12mm



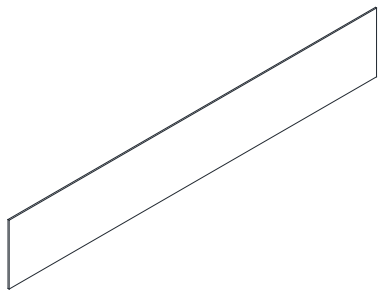
⑦ x1

Middle panel  
621\*300\*15mm



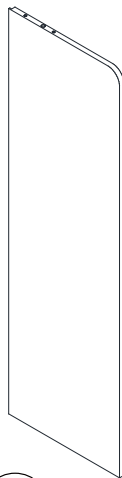
⑧ x1

Horizontal panel  
608\*40\*12mm



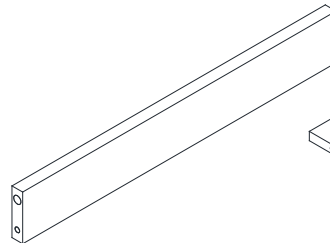
⑨ x1

Backboard  
986\*160\*3mm



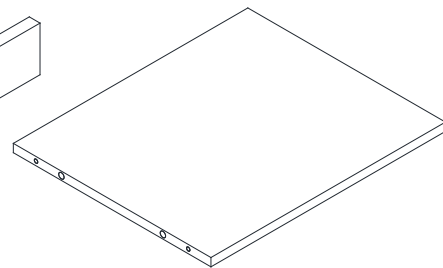
⑩ x1

Left side panel  
949\*300\*12mm



⑪ x1

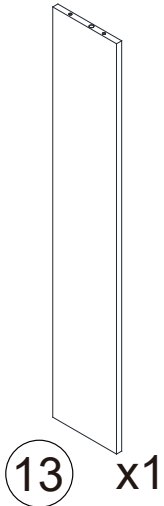
Horizontal panel  
356\*50\*12mm



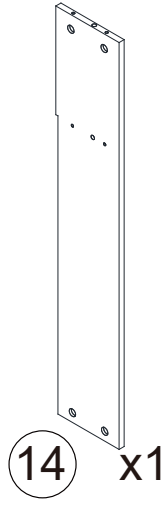
⑫ x1

top panel  
356\*295\*12mm

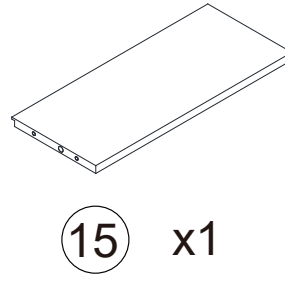
# PART LIST



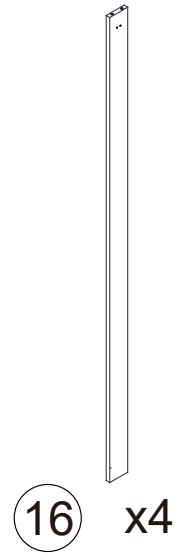
Left side panel  
838\*150\*12mm



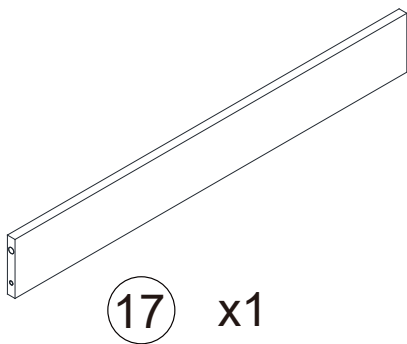
Right side panel  
838\*150\*12mm



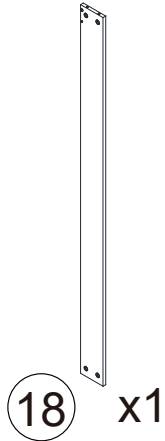
middle panel  
356\*150\*12mm



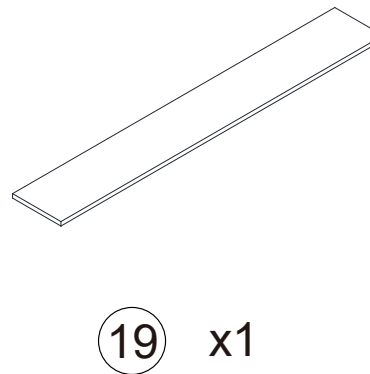
upright panel  
1360\*60\*12mm



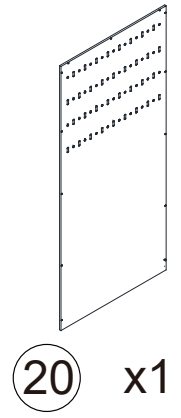
horizontal panel  
608\*81\*12mm



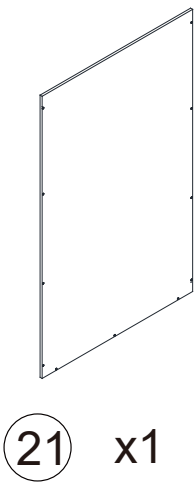
right upright panel  
1370\*100\*12mm



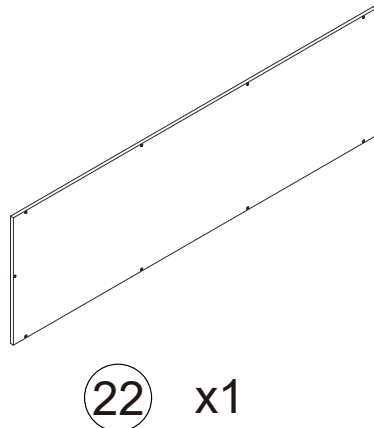
top panel  
1000\*150\*12mm



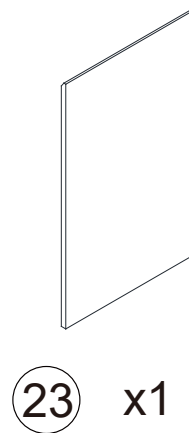
Backboard  
800\*370\*5mm



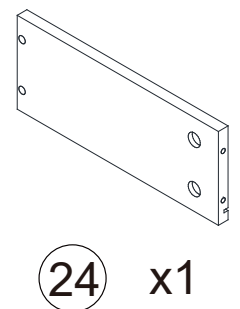
Backboard  
595\*370\*5mm



Backboard  
619\*175\*3mm

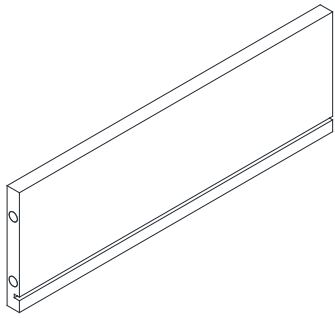


door panel  
552\*350\*15mm

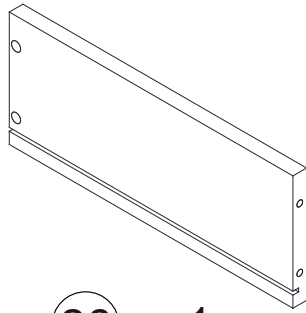


drawer left side panel  
250\*91\*12mm

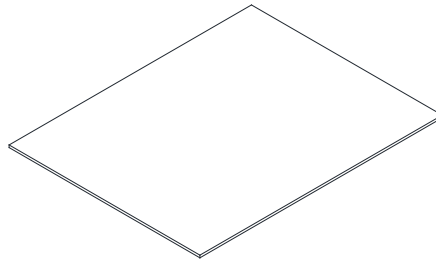
# PART LIST



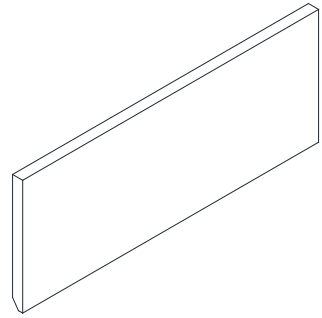
②⑤ x1



②⑥ x1

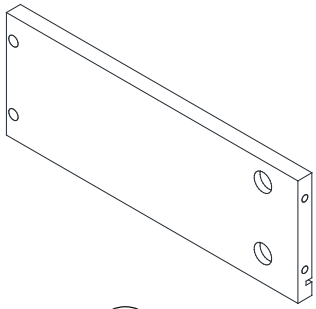


②⑦ x1

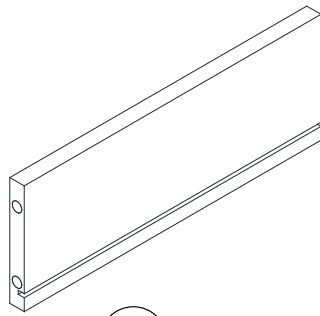


②⑧ x1

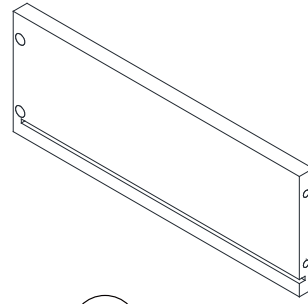
drawer back panel 306\*91\*12mm    drawer right side panel 250\*91\*12mm    drawer bottom panel 315\*248\*3mm    drawer front panel 350\*136\*15mm



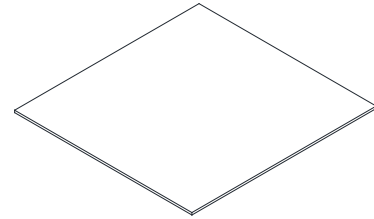
②⑨ x2



③⑩ x2

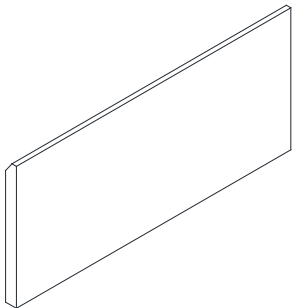


③① x2

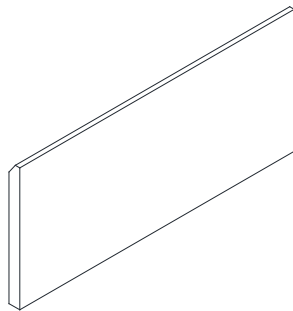


③② x2

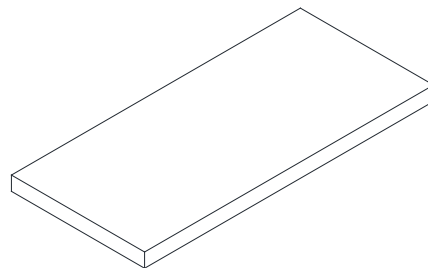
drawer left side panel 249\*91\*12mm    drawer back panel 340\*91\*12mm    drawer right side panel 249\*91\*12mm    drawer bottom panel 259\*247\*3mm



③③ x1



③④ x1



③⑤ x1

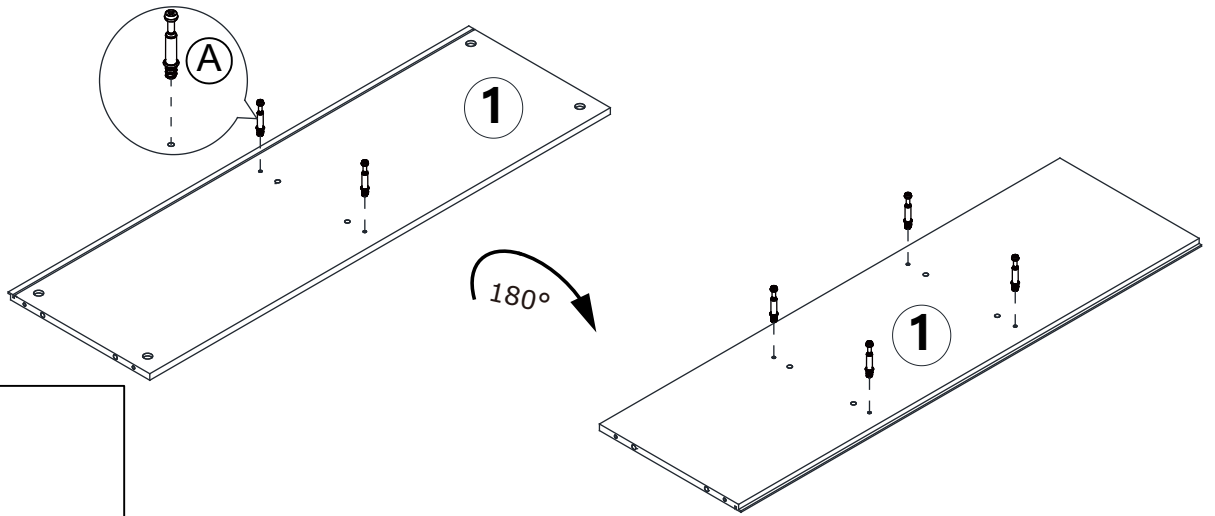
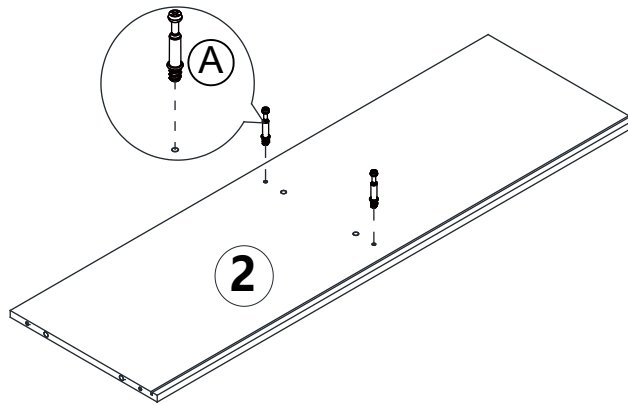
drawer front panel 300\*136\*15mm

drawer front panel 300\*136\*15mm

seat cushion 609\*288\*30mm

# Assembly Instructions

## Step 1



A



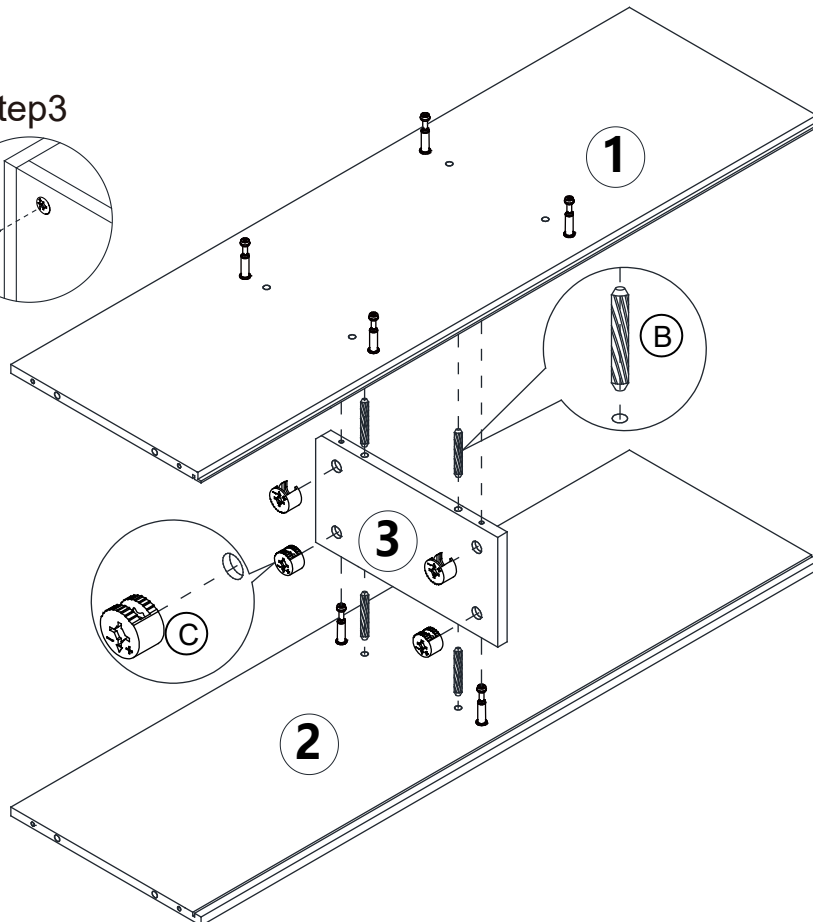
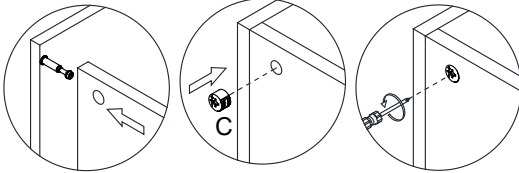
Cam Bolt x 8

## Step 2

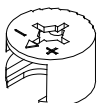
step1

step2

step3



C



Cam lock x 4

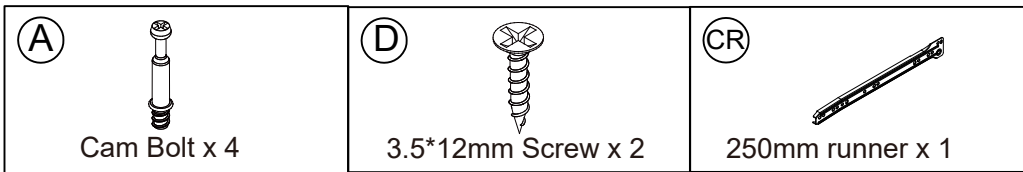
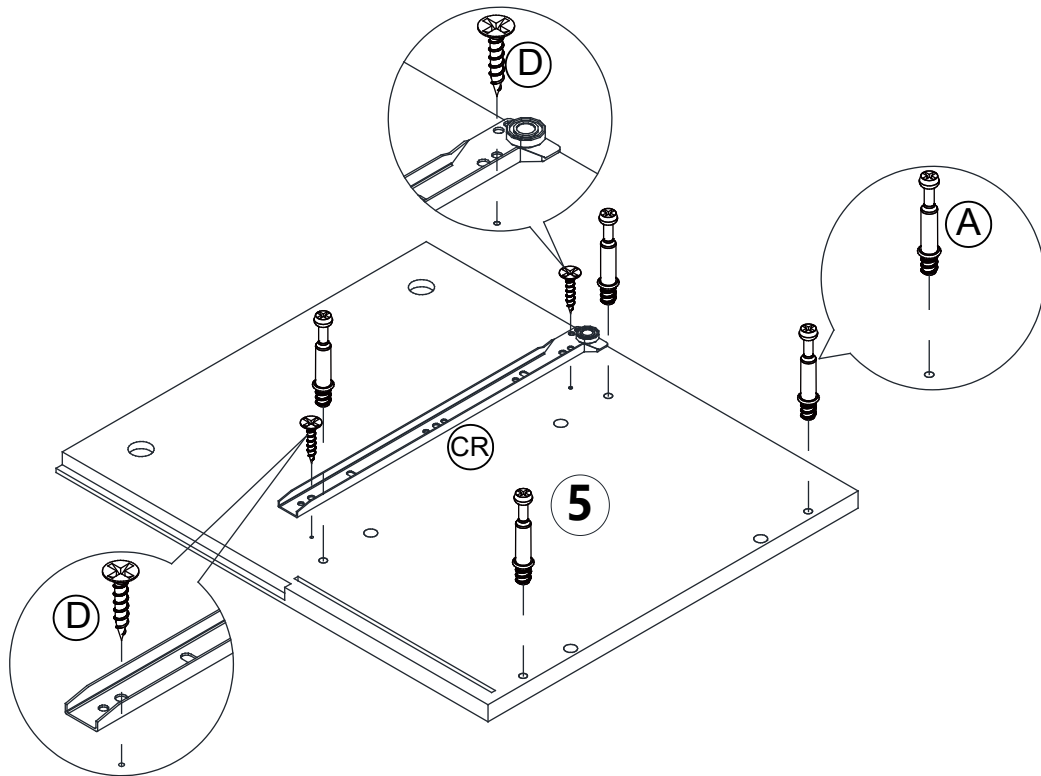
B



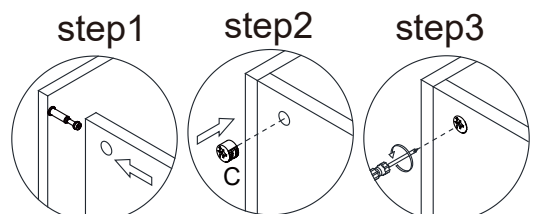
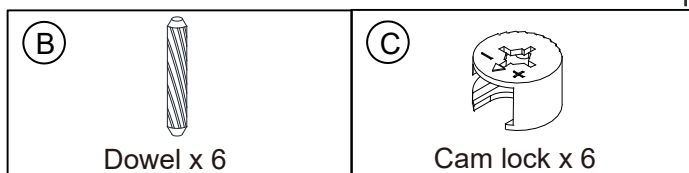
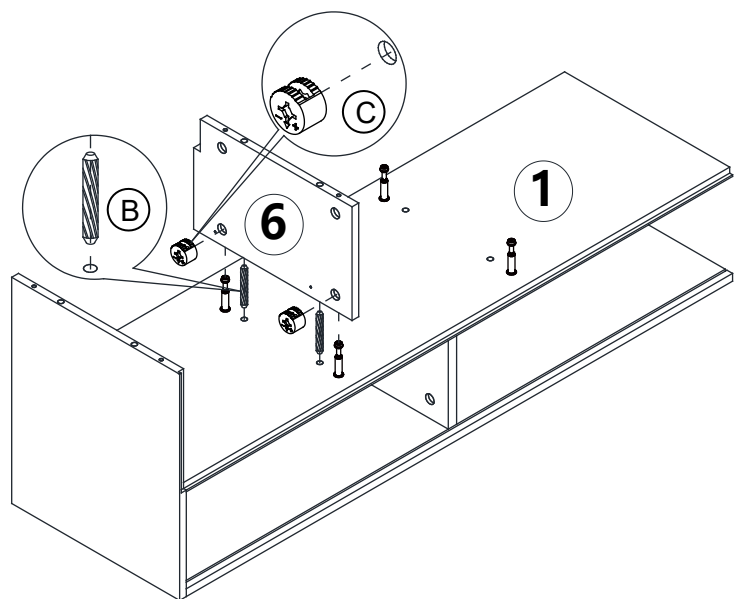
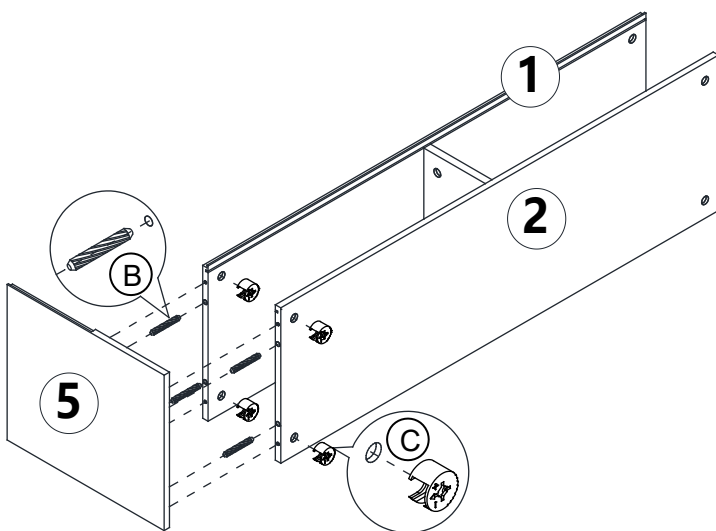
Dowel x 4

# Assembly Instructions

## Step 3

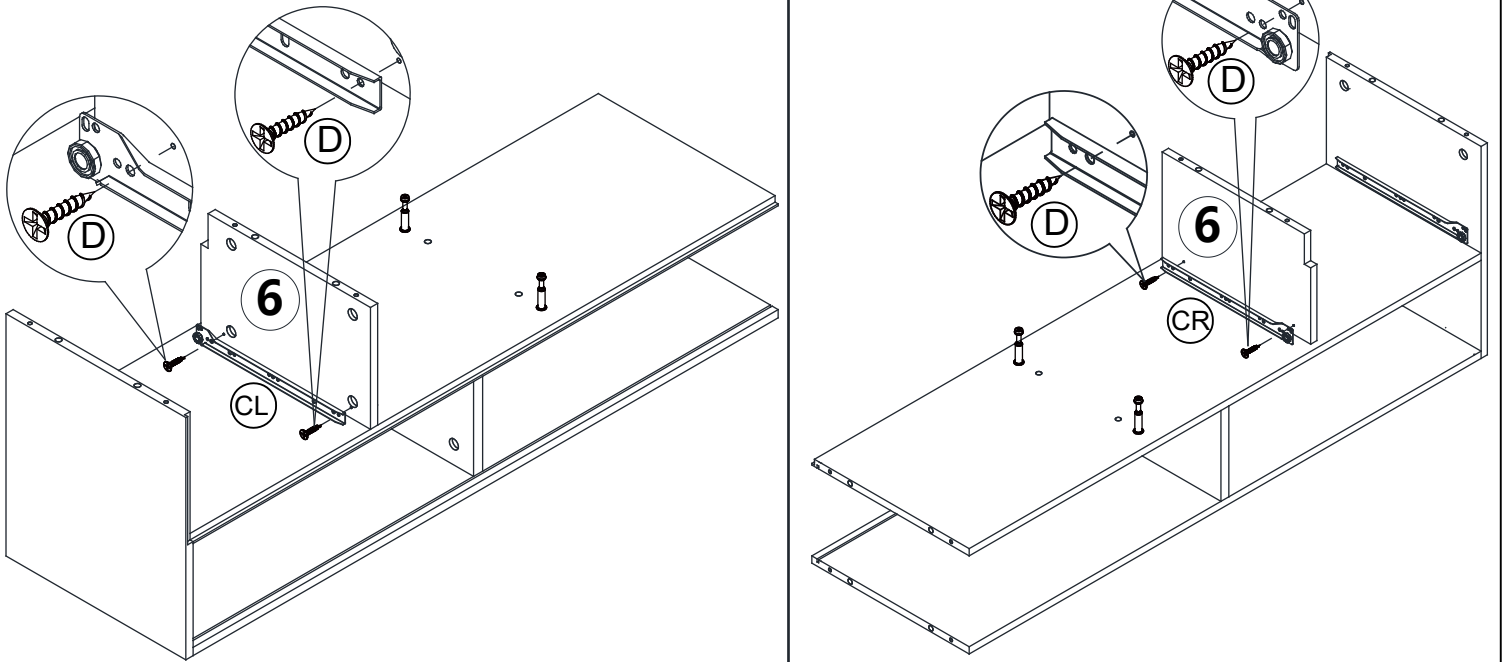


## Step 4



# Assembly Instructions

## Step 5

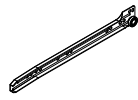


(D)



3.5\*12mm Screw x 4

(CL)



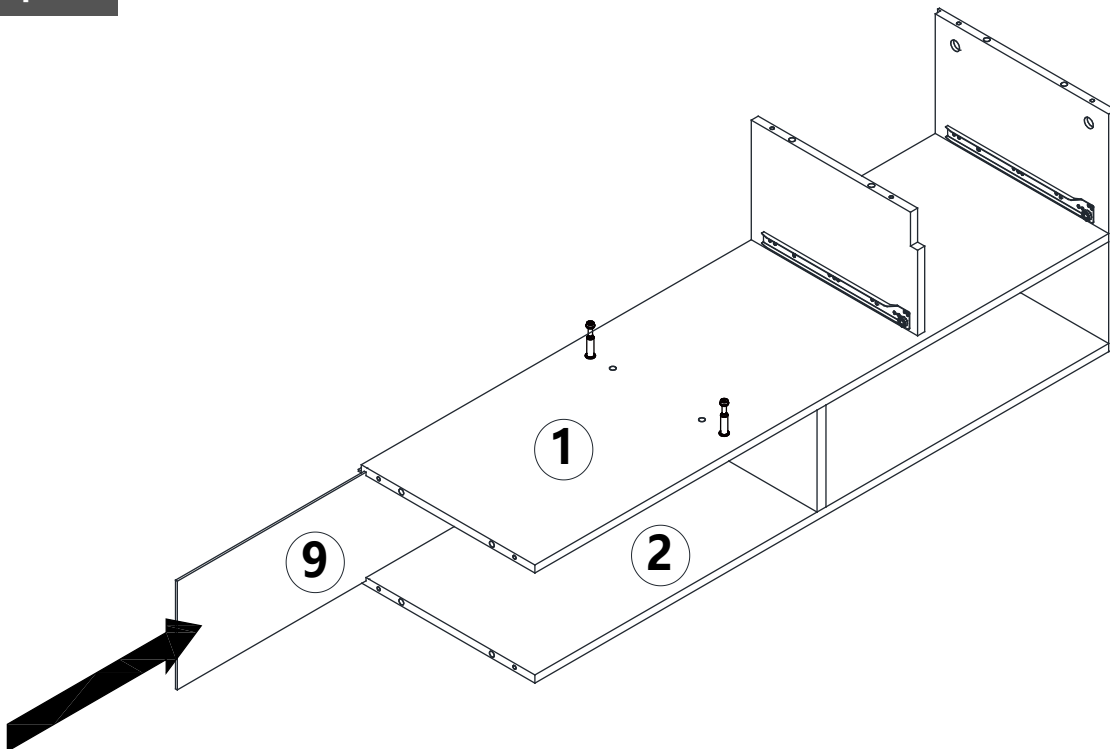
250mm runner x 1

(CR)



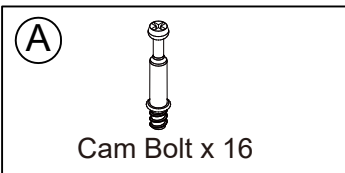
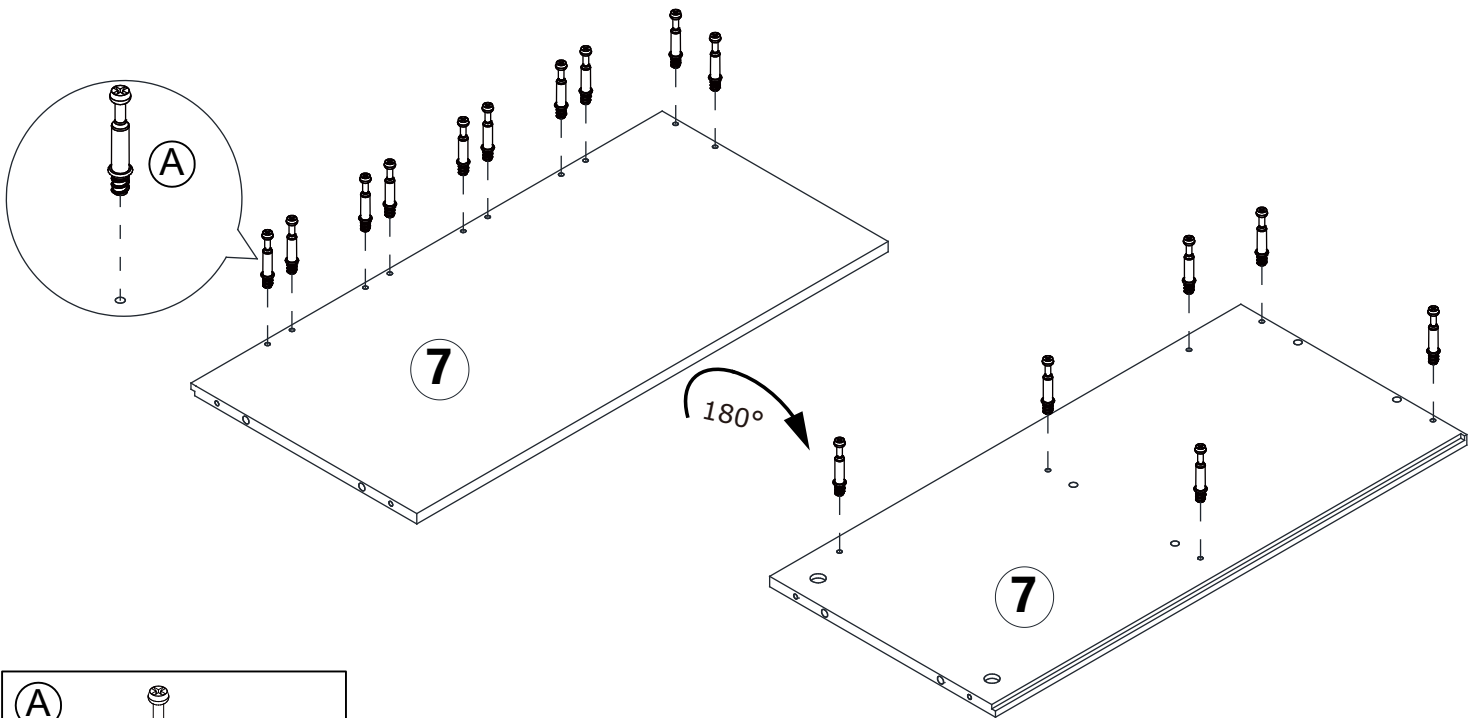
250mm runner x 1

## Step 6

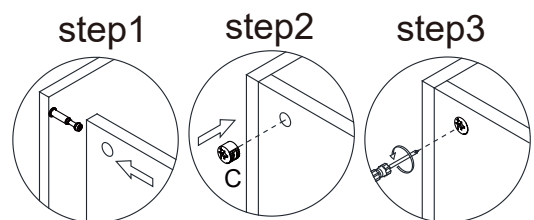
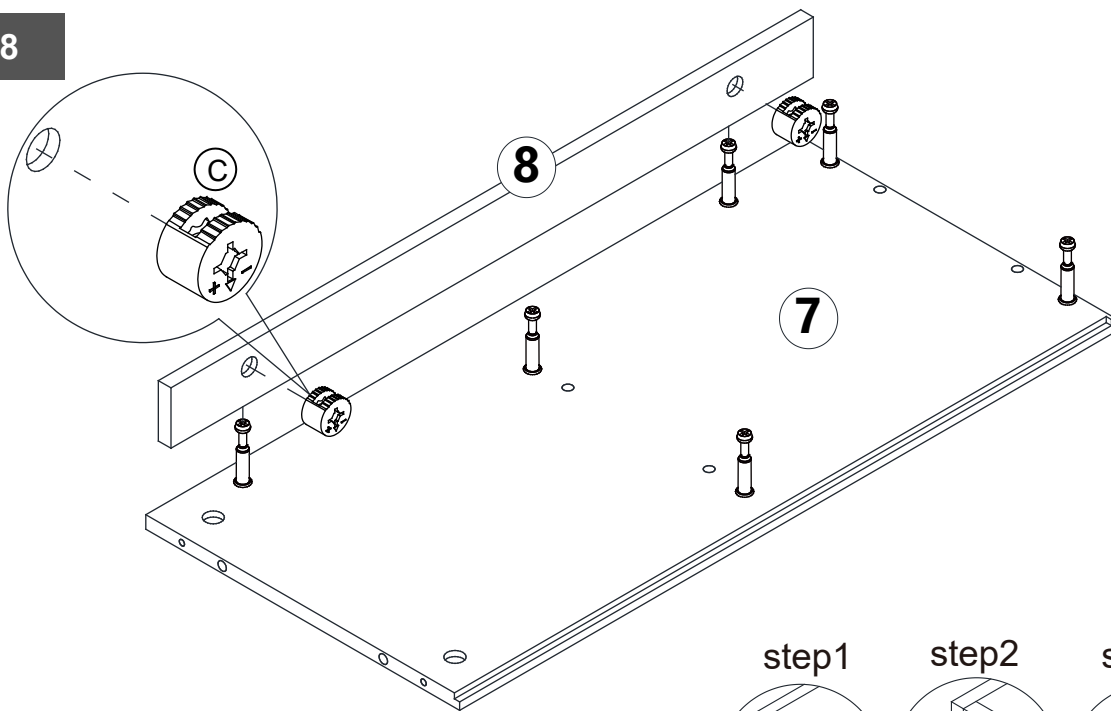


# Assembly Instructions

## Step 7

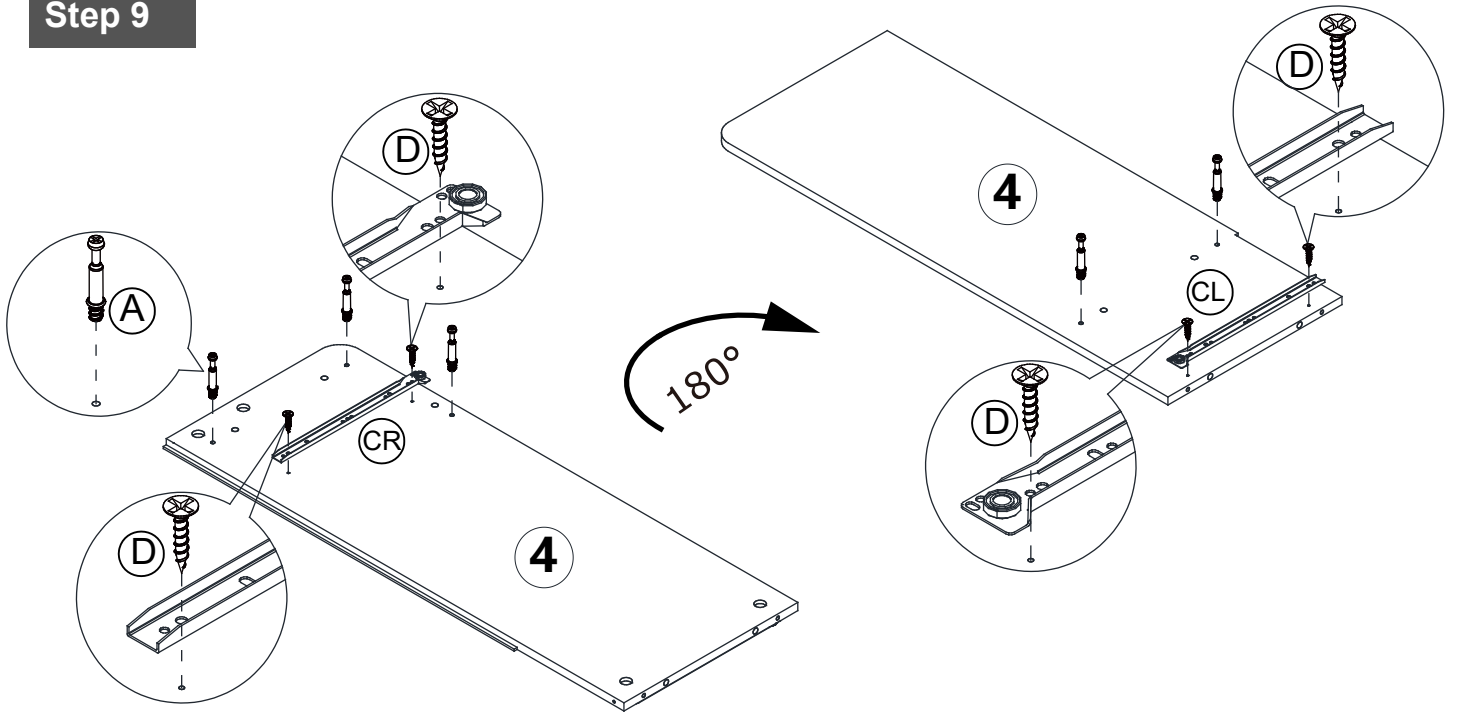


## Step 8



# Assembly Instructions

## Step 9



(A)



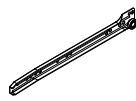
Cam Bolt x 5

(D)



3.5\*12mm Screw x 4

(CL)



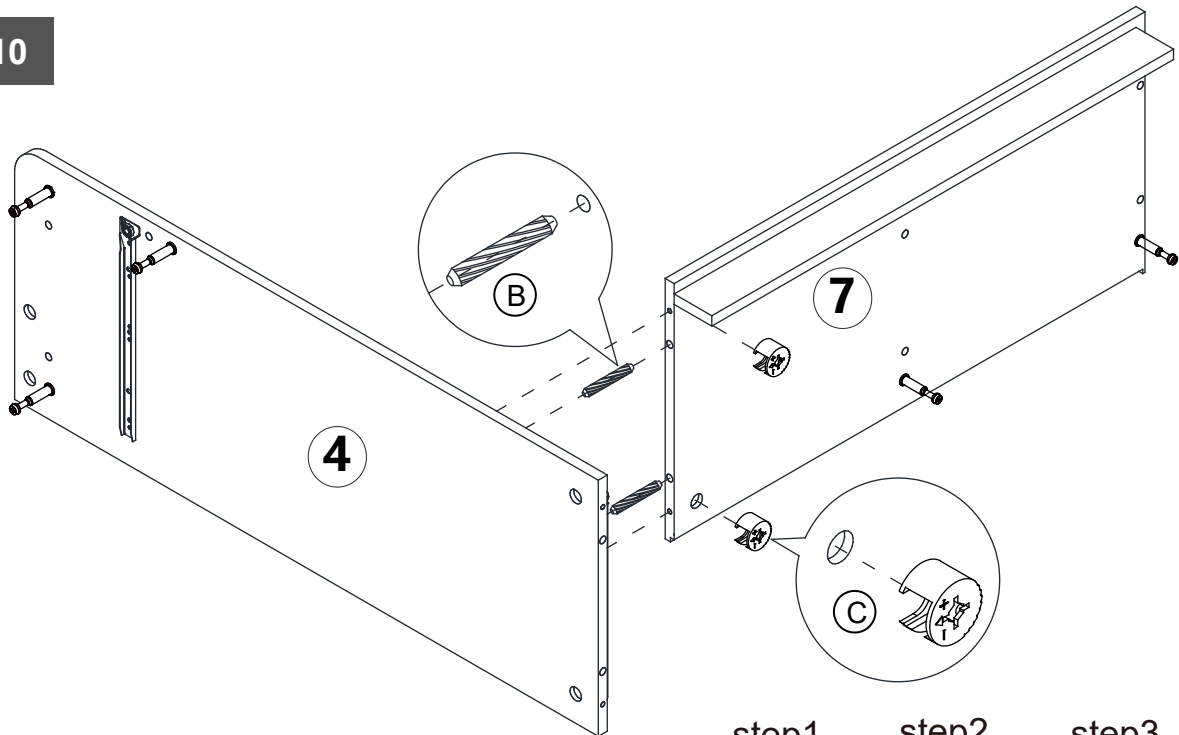
250mm runner x 1

(CR)



250mm runner x 1

## Step 10

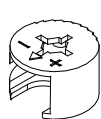


(B)



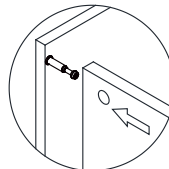
Dowel x 2

(C)

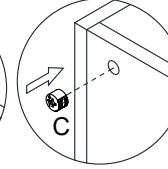


Cam lock x 2

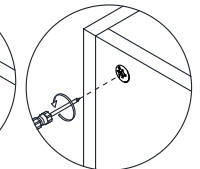
step1



step2

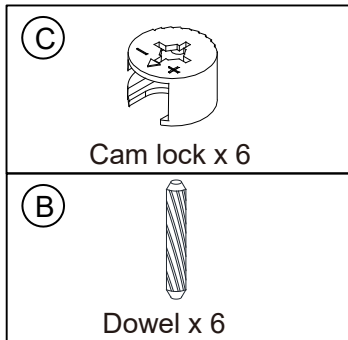
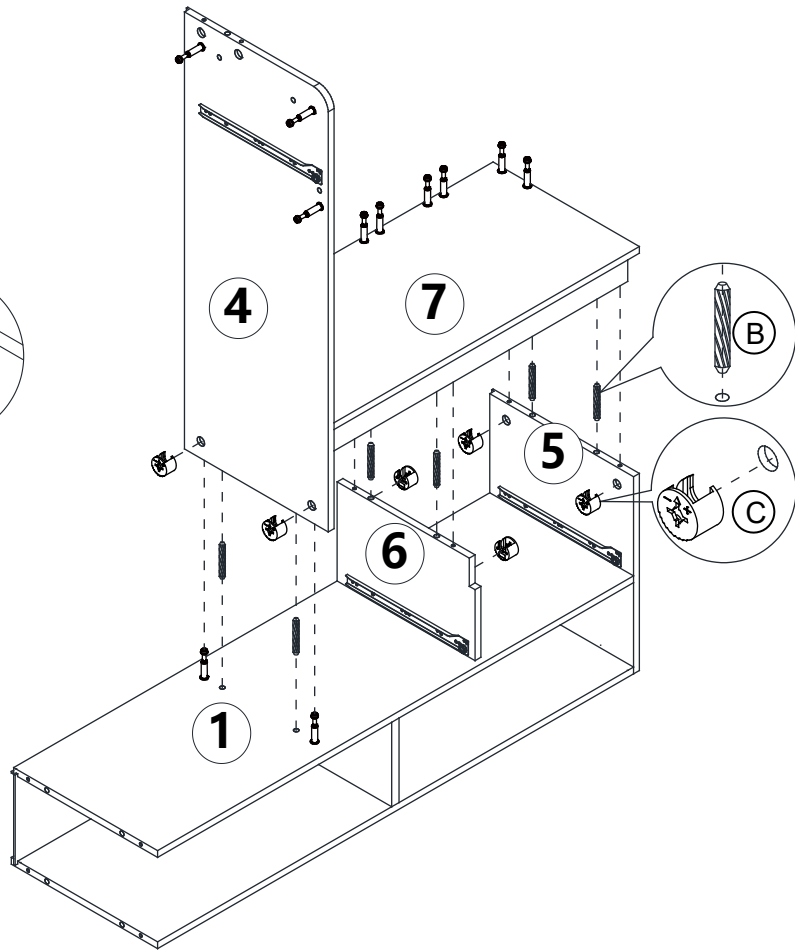
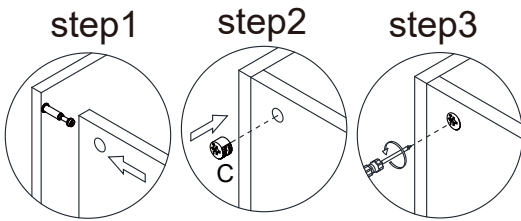


step3

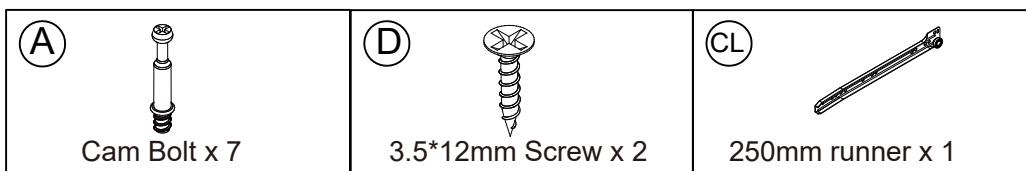
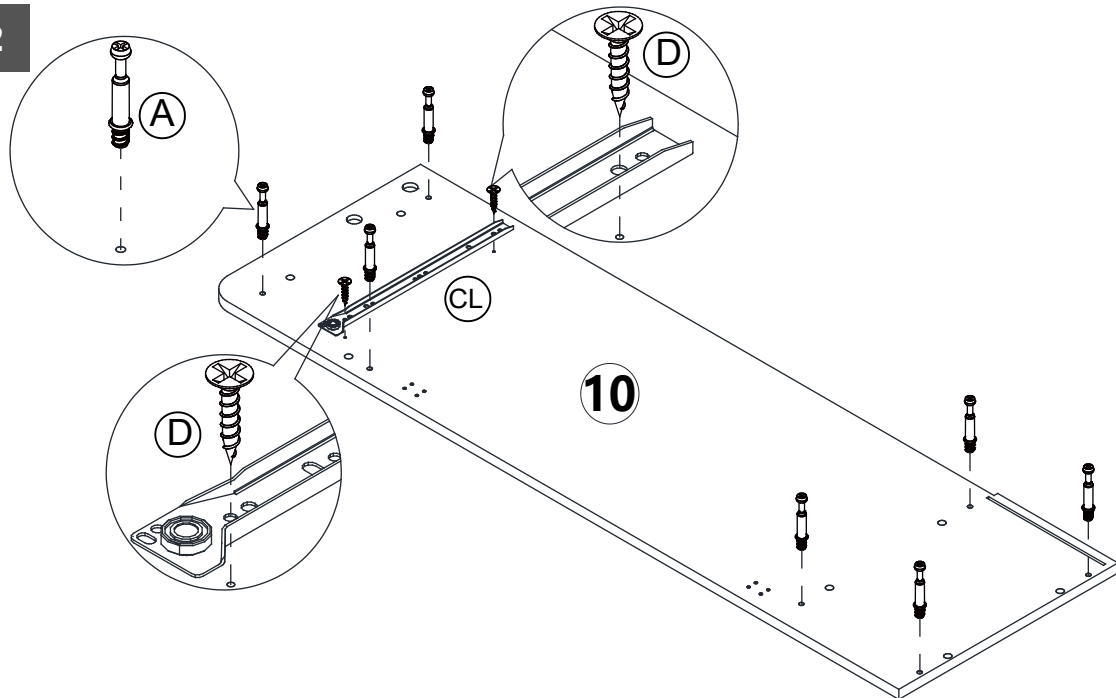


# Assembly Instructions

## Step 11

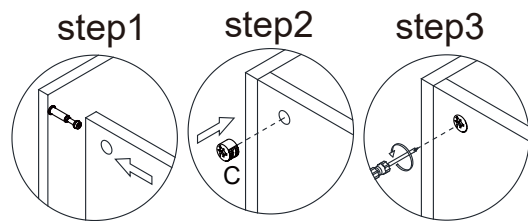
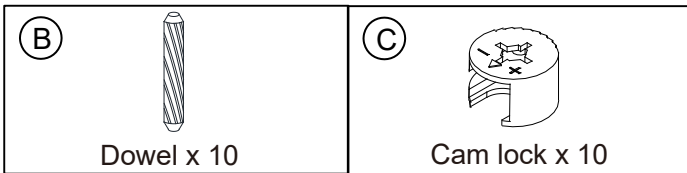
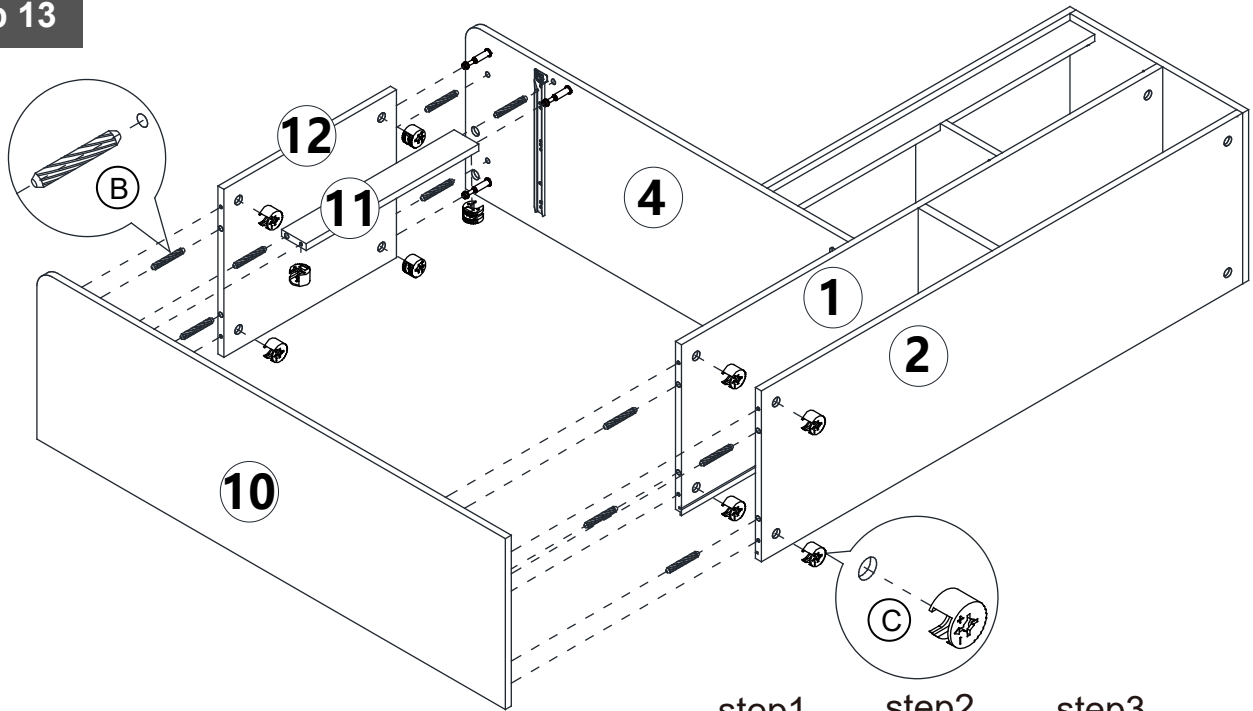


## Step 12

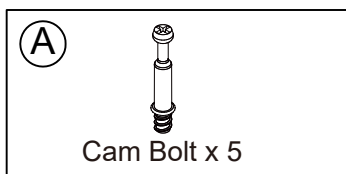
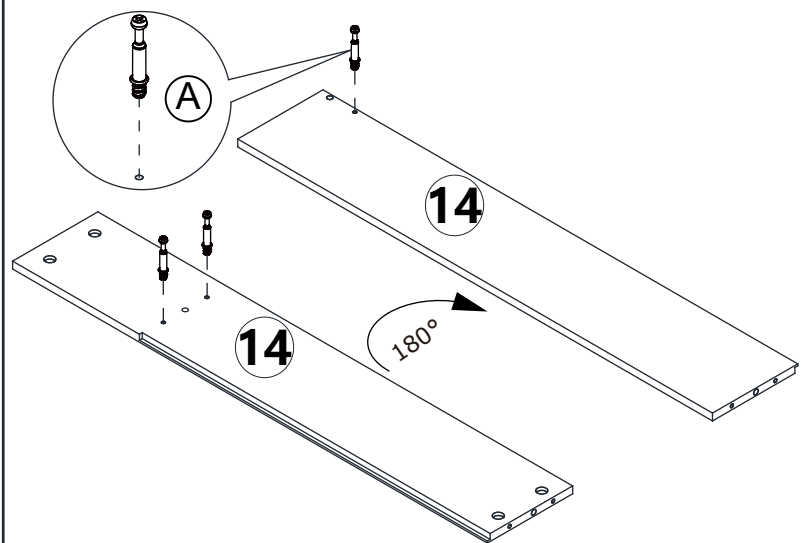
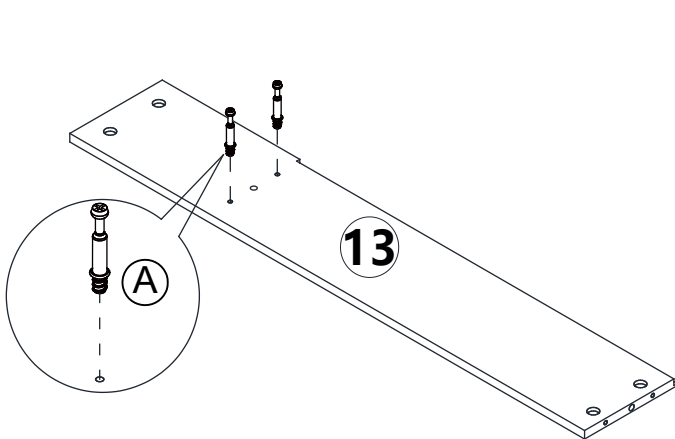


# Assembly Instructions

## Step 13

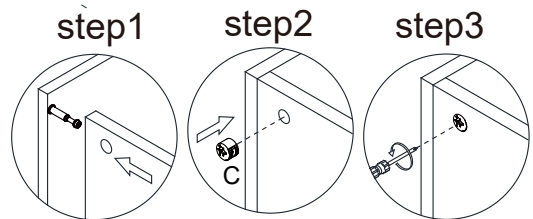
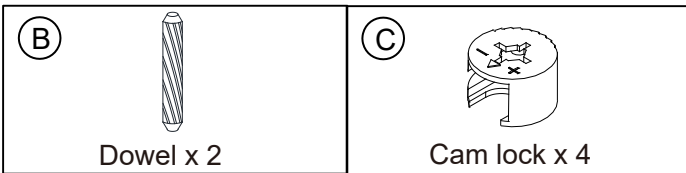
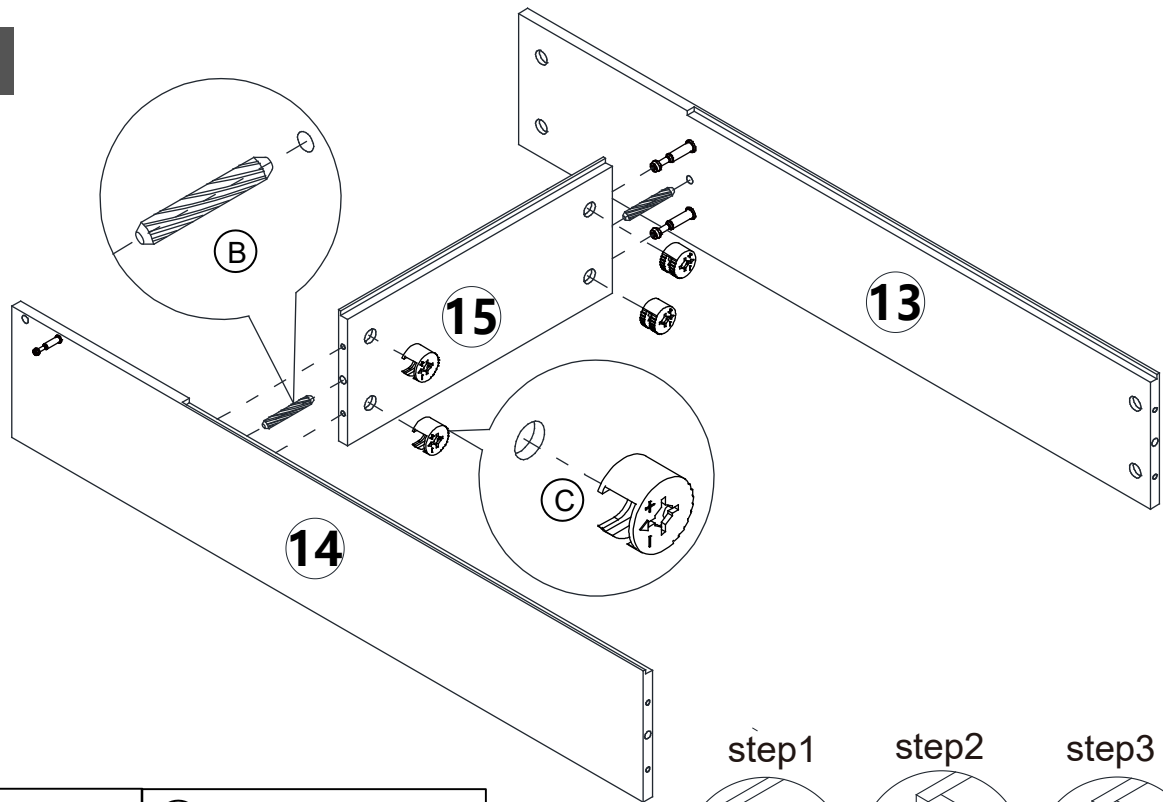


## Step 14

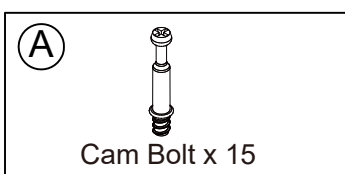
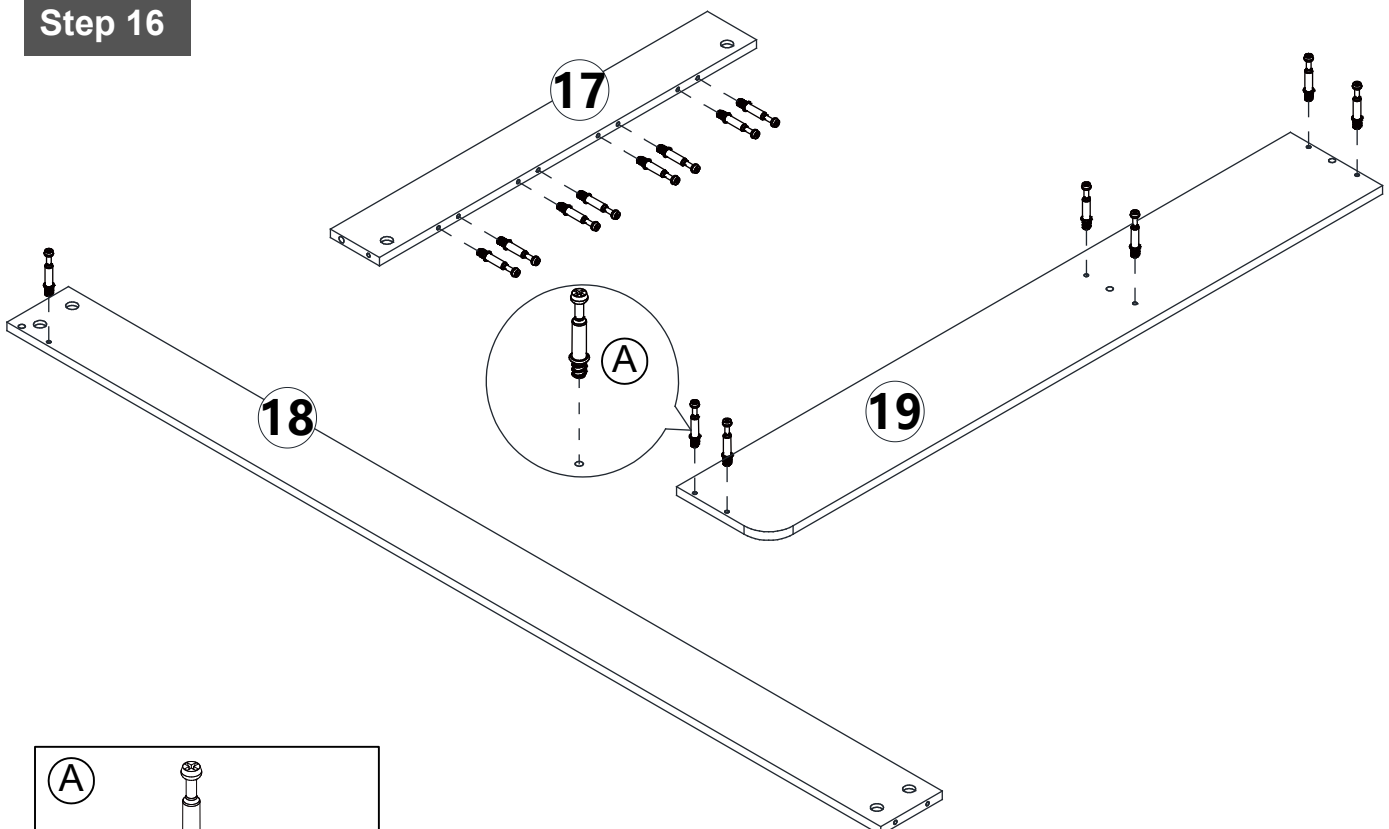


# Assembly Instructions

## Step 15

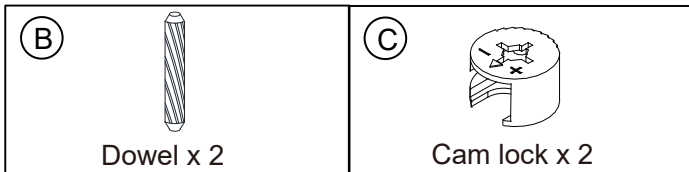
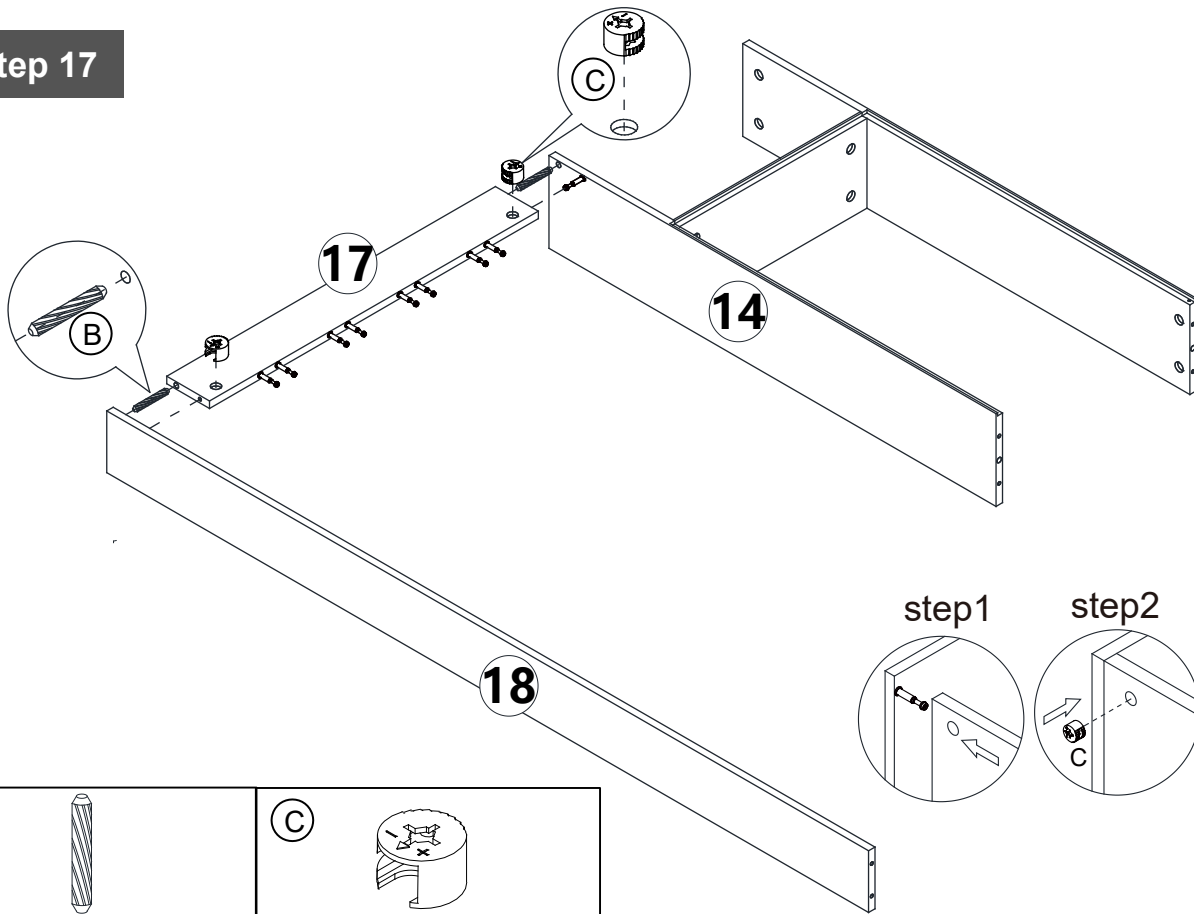


## Step 16

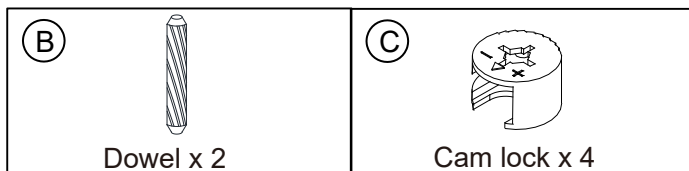
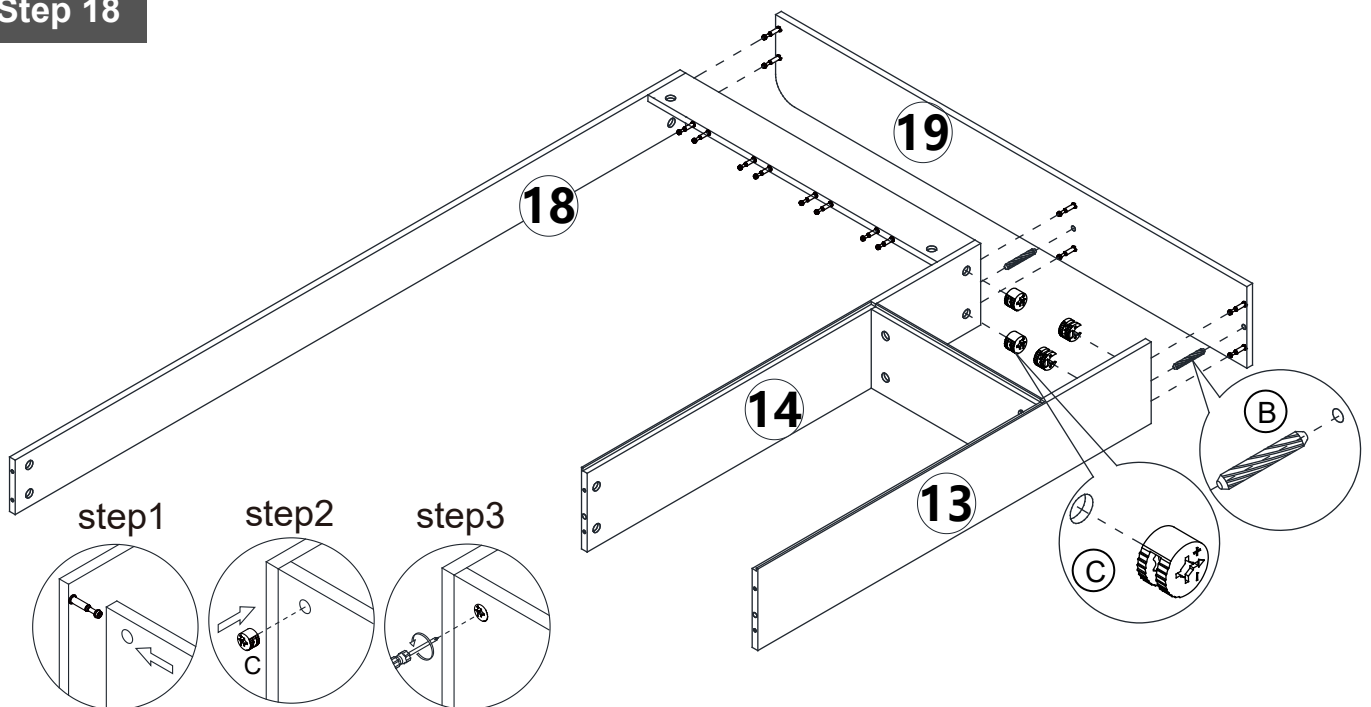


# Assembly Instructions

## Step 17

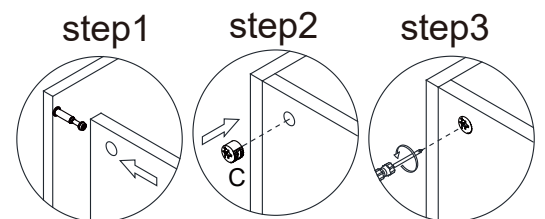
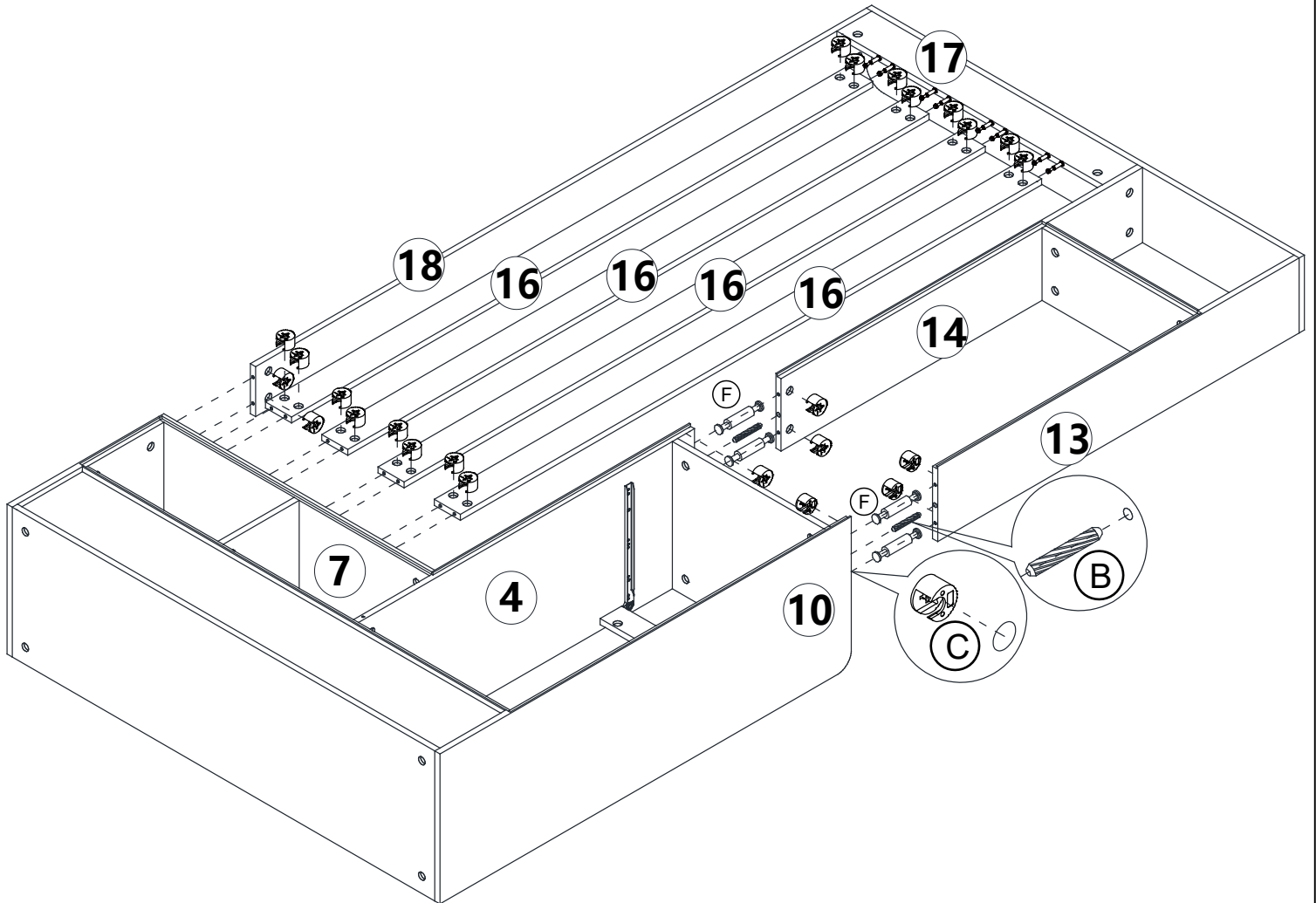


## Step 18



# Assembly Instructions

## Step 19

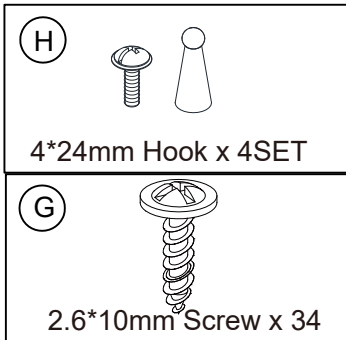
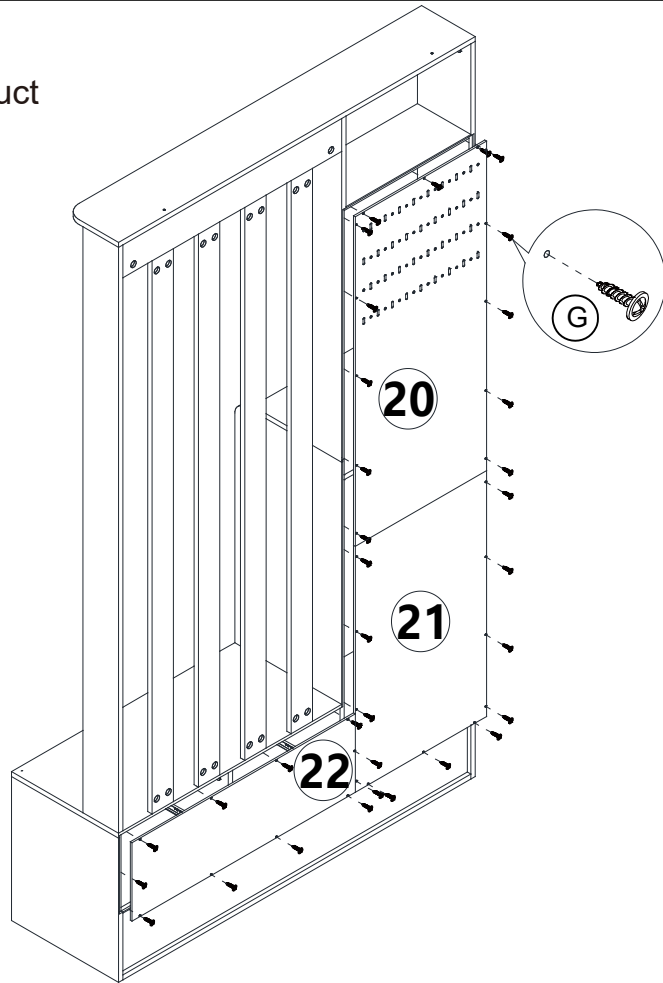
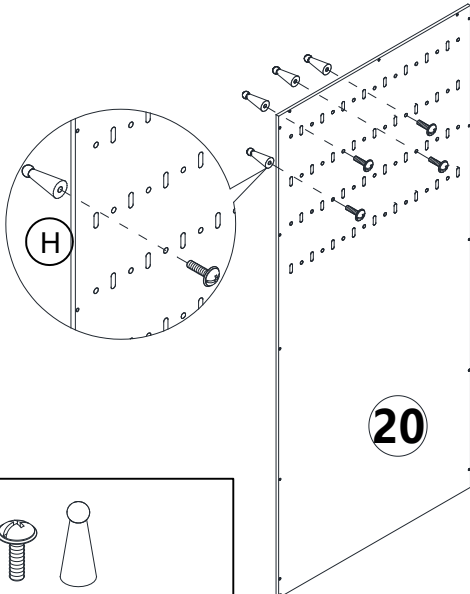


<p>(B)</p>  <p>Dowel x 2</p>	<p>(C)</p>  <p>Cam lock x 26</p>	<p>(F)</p>  <p>Stud Bolt x 4</p>
---	---	--

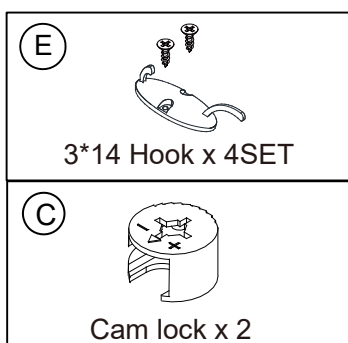
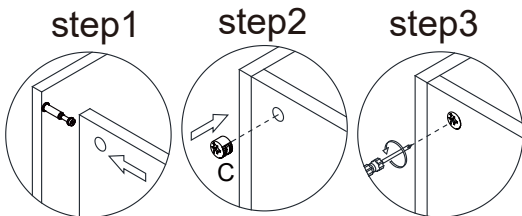
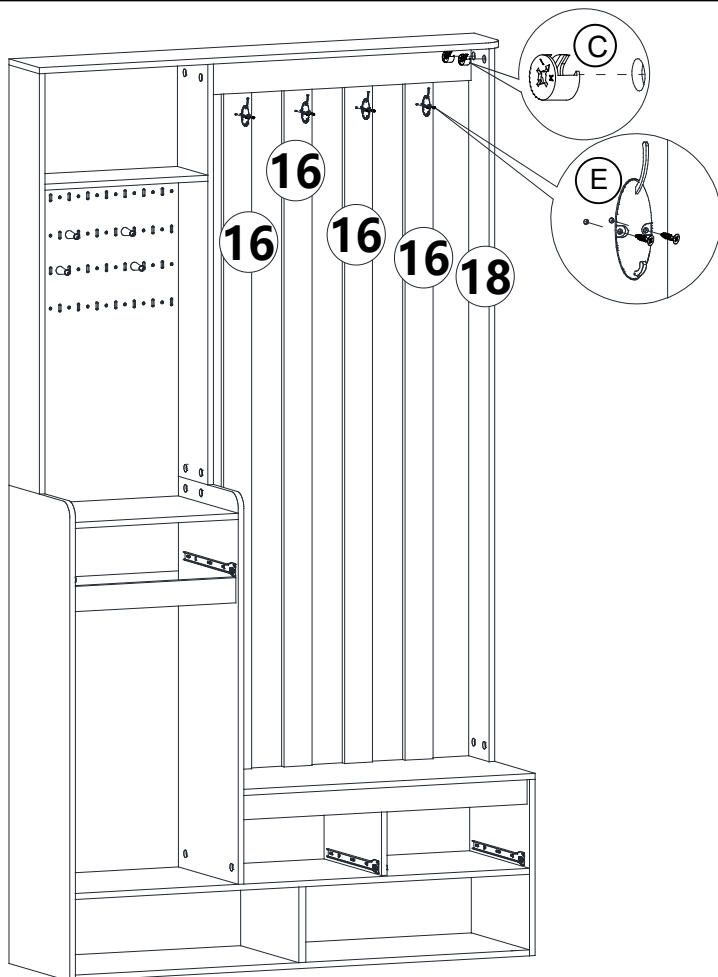
# Assembly Instructions

## Step 20

Please stand the product upright carefully!

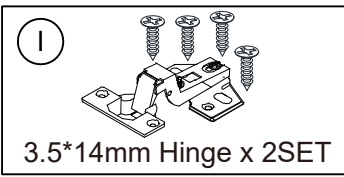
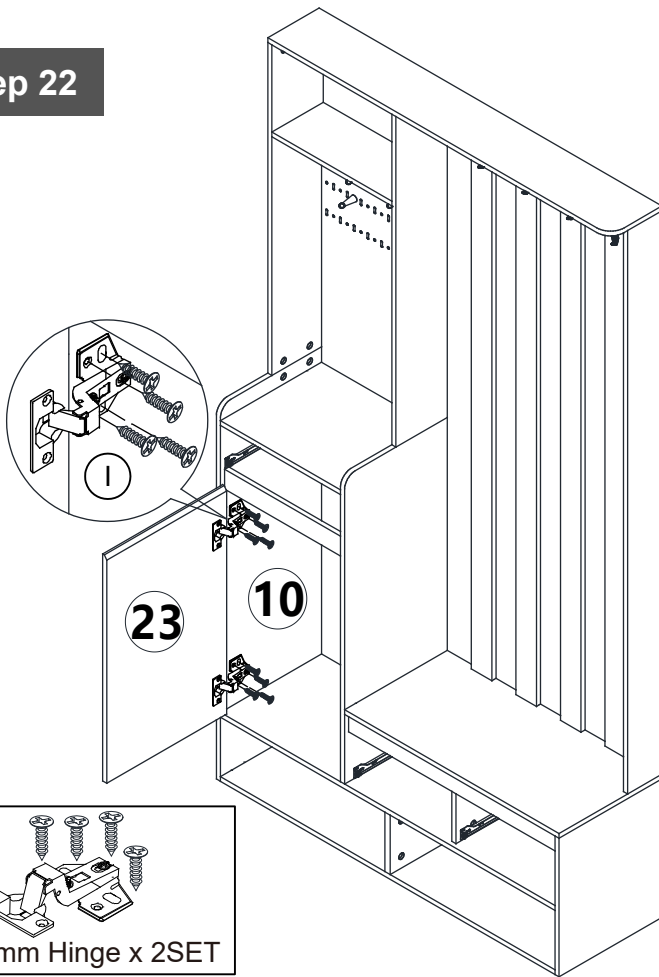


## Step 21

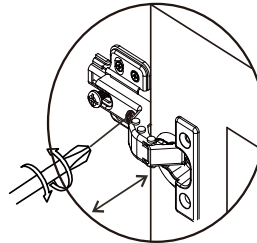


# Assembly Instructions

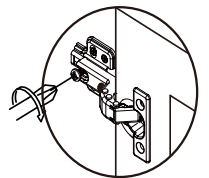
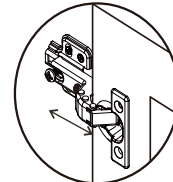
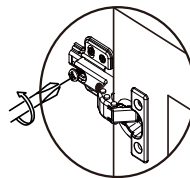
## Step 22



If the door can't close, please adjust the hinges.

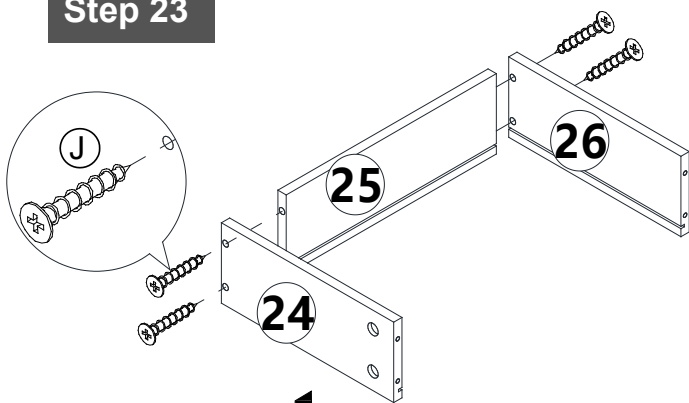


This is used to adjust the door panel in the up and down direction.

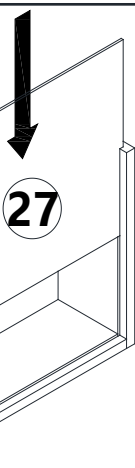
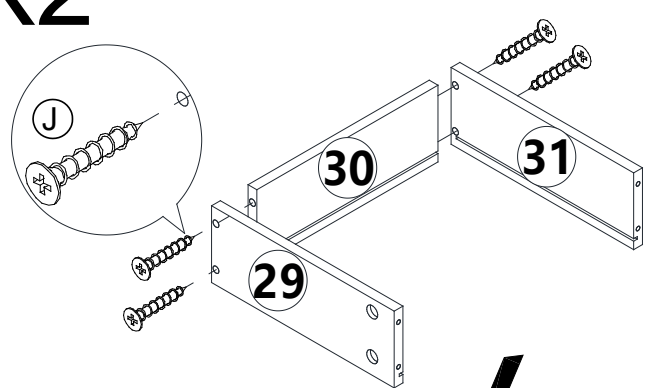


This is used to adjust the door panel in the front and back direction: Loosen the screw first, and then tighten screw after adjusting the door panel to the proper position.

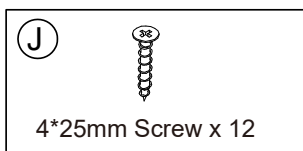
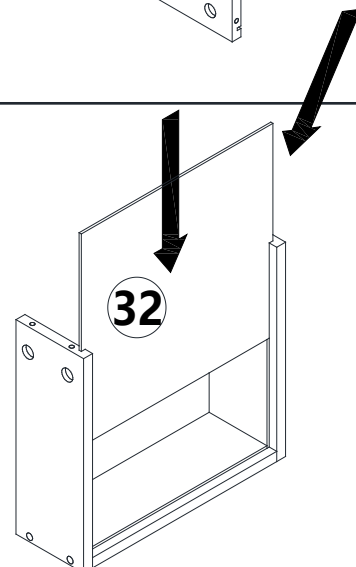
## Step 23



X2

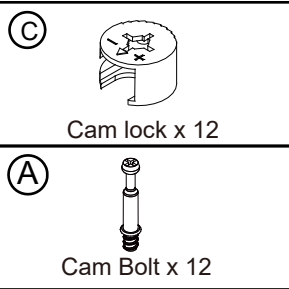
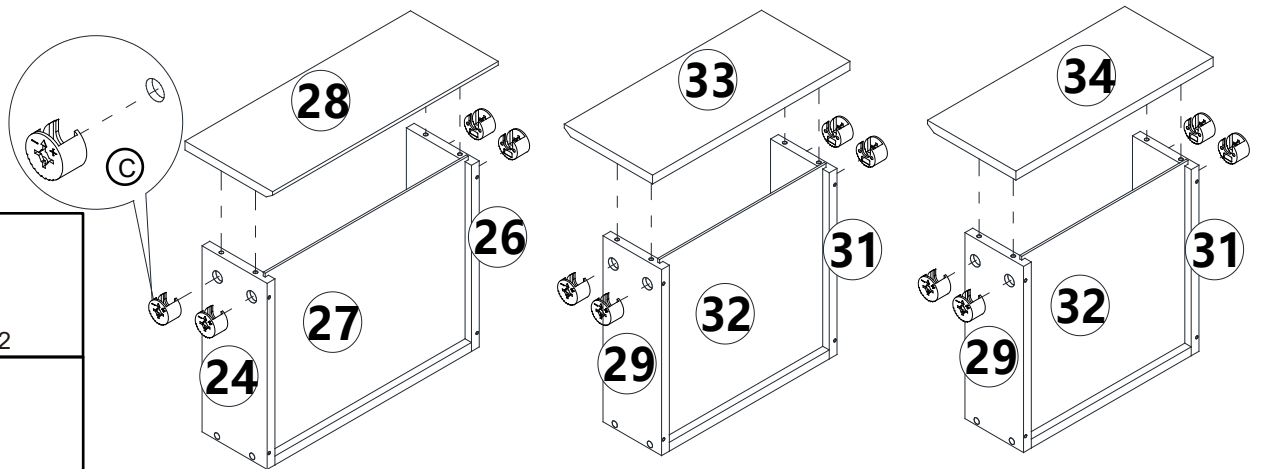
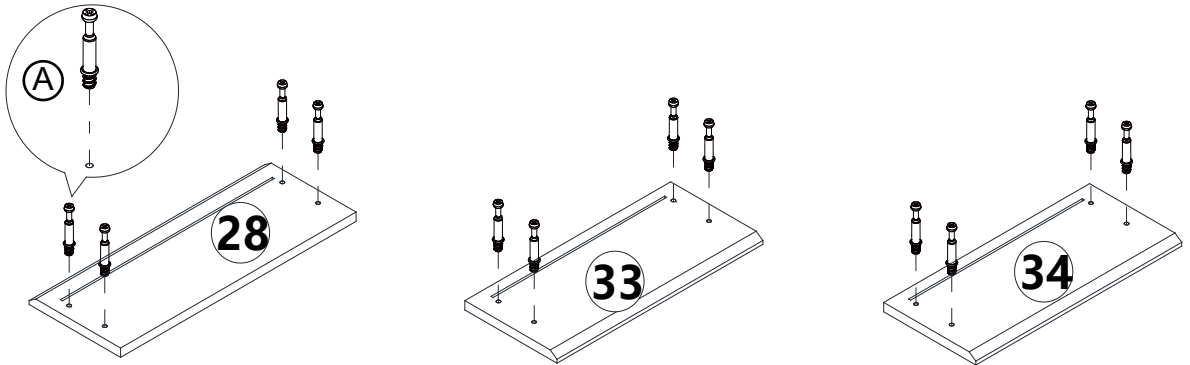


X2

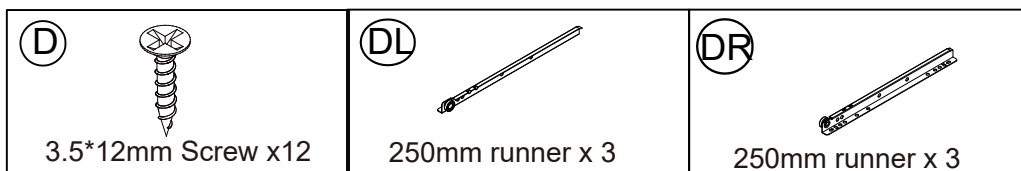
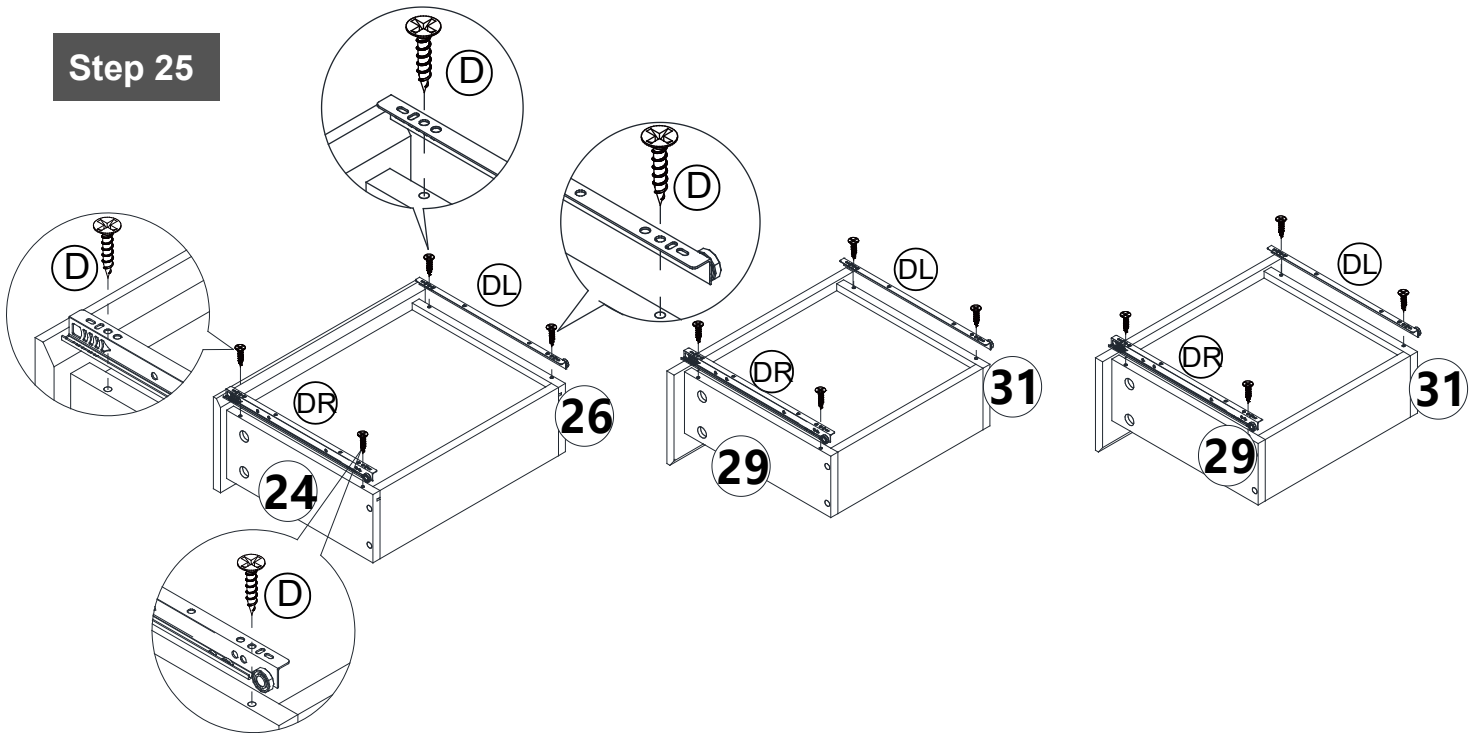


# Assembly Instructions

## Step 24

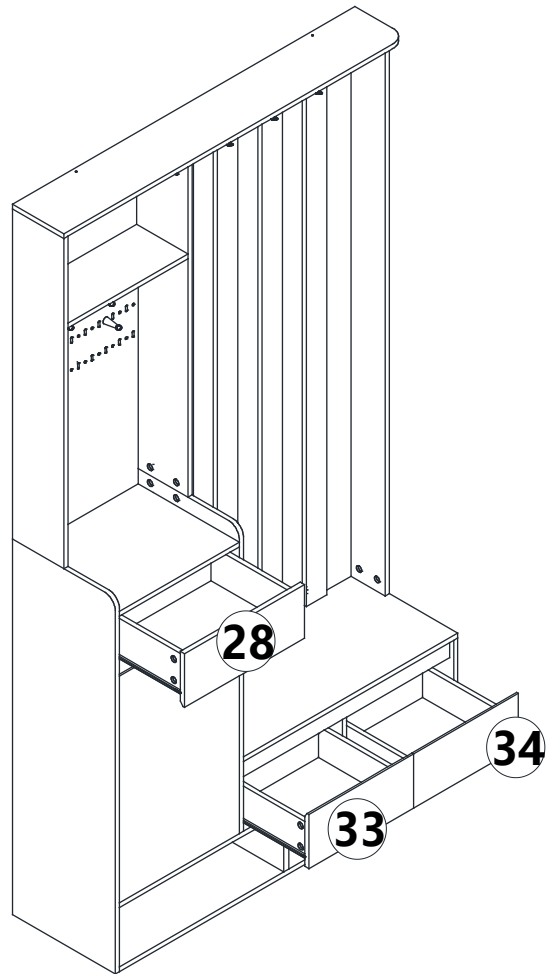
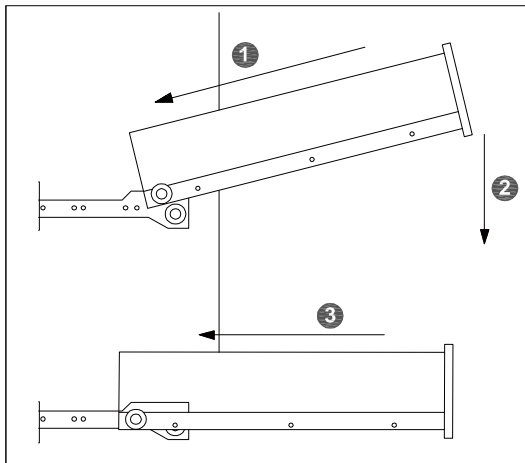


## Step 25

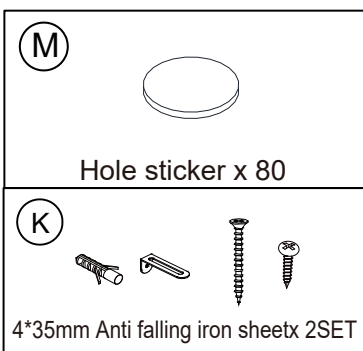
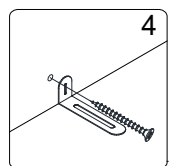
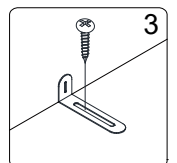
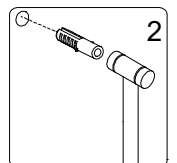
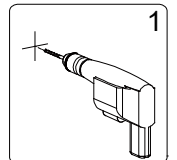
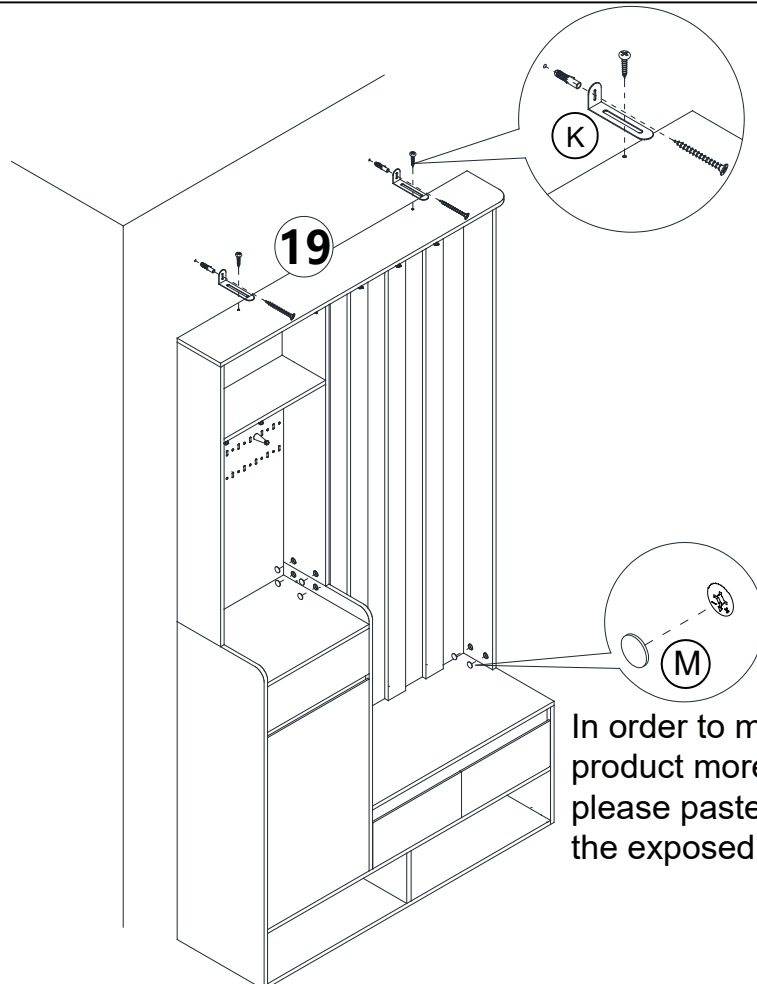


# Assembly Instructions

## Step 26



## Step 27



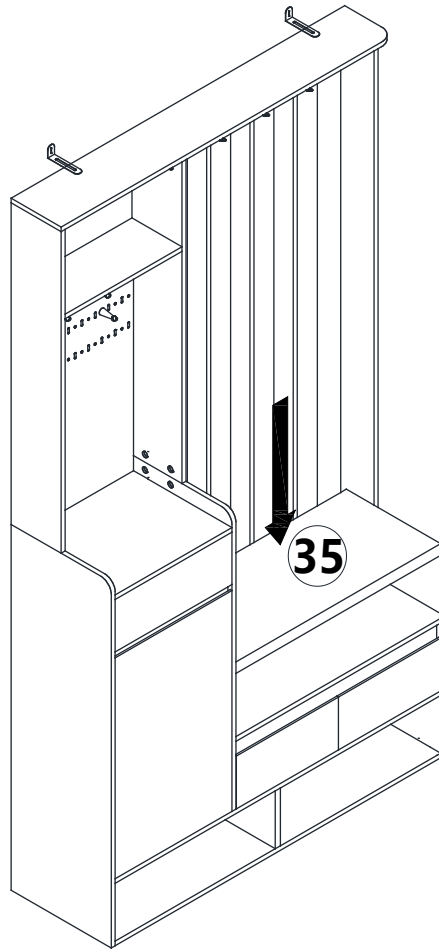
Hole sticker x 80

4\*35mm Anti falling iron sheetx 2SET

In order to make the product more beautiful, please paste hardware M on the exposed holes.

# Assembly Instructions

## Step 28



## Step 29

