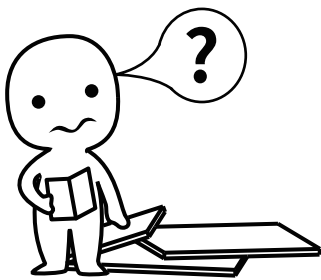


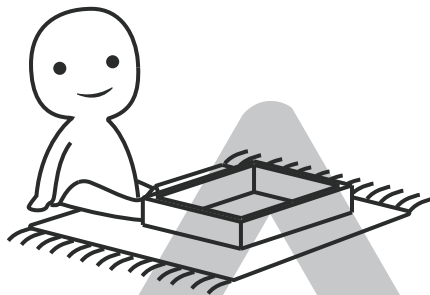
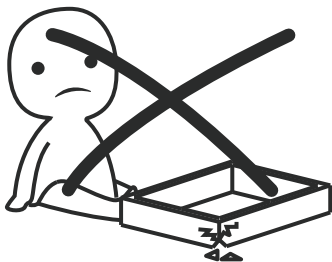
INSTALLATION

Product Manual



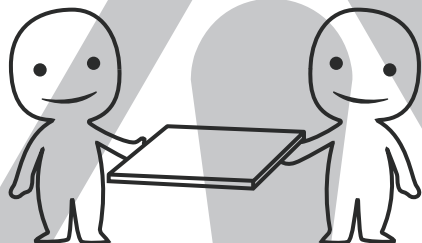
IMPORTANT INFORMATION!

please read the entire manual before starting to assemble and/or using this product, follow the manual thoroughly and keep it for further reference.



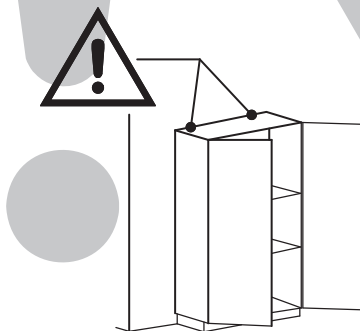
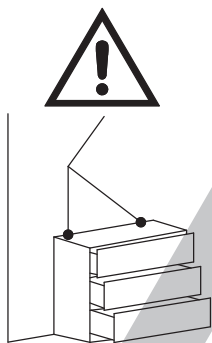
AVOID SCRATCHES!

In order to avoid scratching this furniture should be assembled on a soft layer-could be a rug.



IMPROVE EFFICIENCY !

Try to find a partner to install with you, which can speed up the installation efficiency and shorten the time.



ANTI-TOPPLE WARNING !

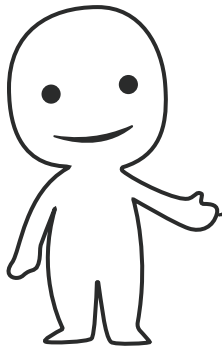
Overturned furniture can cause serious or fatal crush injuries. To prevent tipping over, be sure to use the wall attachment, if not included with this product. Please purchase the wall attachment that fit your wall. If unsure, seek professional advice. Please read and follow each step of the instructions carefully.

IMPORTANT !

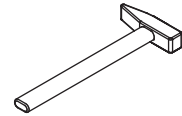
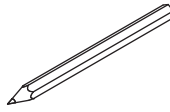
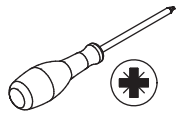
It is important that any product which is assembled using any kind of screw is re-tightened 2 weeks after assembly, and once every 3 months - in order to assure stability through-out the lifespan of the product.

For regular maintenance and cleaning of the product, for the frame, please use a rag dipped in neutral detergent to fully wipe it, and then dry it with a clean rag. For glass materials, wipe with a rag dampened with water glass cleaner, and then dry with a dry rag.

Do not use an electric screwdriver, and do not use too much force when installing, because the board is easy to break.

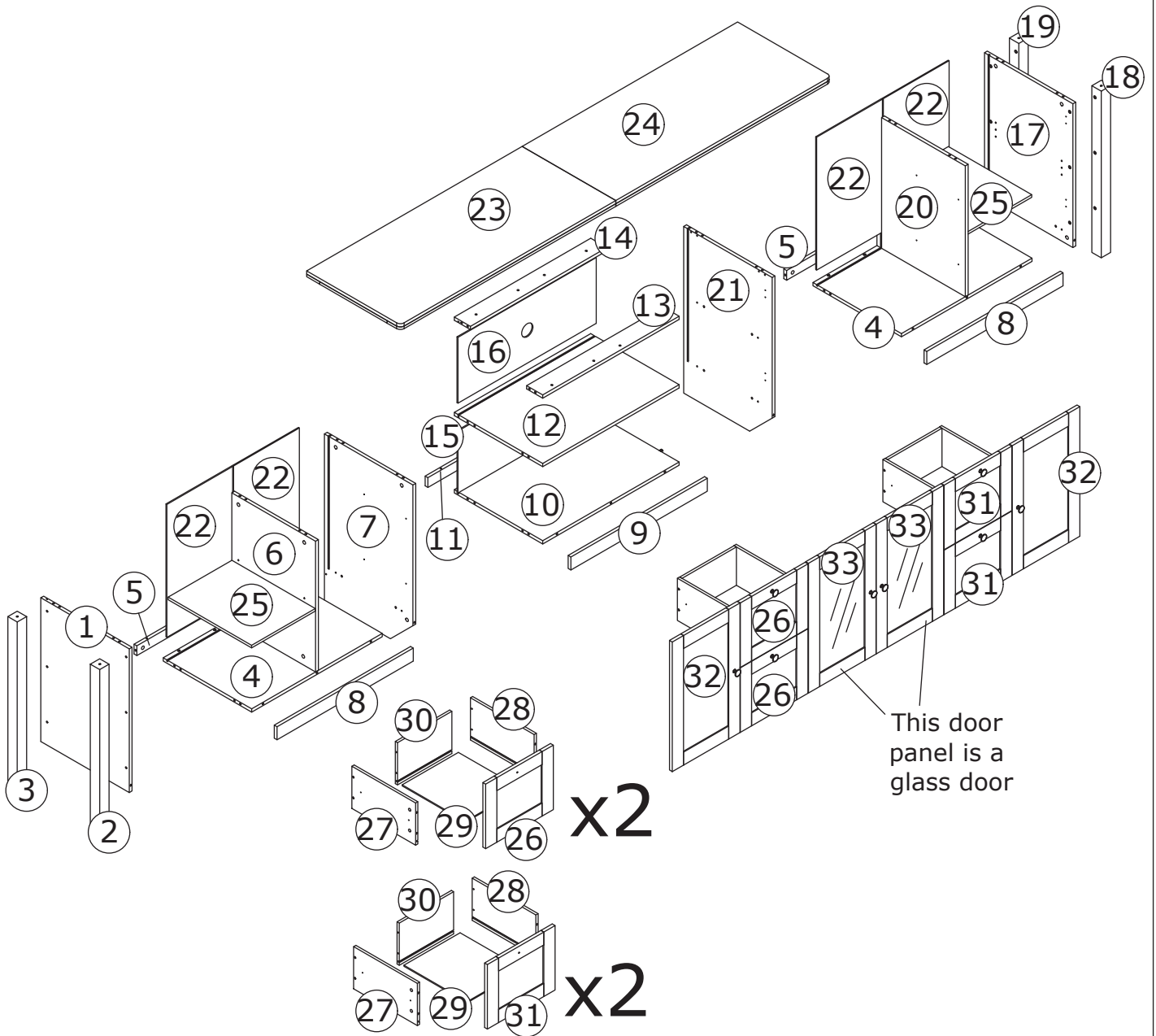


Please prepare the following tools



When installing, please carefully confirm whether each screw corresponds to the manual, accessories with similar shapes can be distinguished by size

<p>A x 73</p>  <p>∅6 x 40 mm</p>	<p>B x 57</p>  <p>∅15 x 12 mm</p>	<p>C x 8</p>  <p>C-1 C-2 14"</p>	<p>D x 48</p>  <p>∅3.5 x 12 mm</p>	<p>E x 36</p>  <p>∅8 x 30 mm</p>
<p>F x 20</p>  <p>∅6 x 25 mm</p>	<p>G x 9</p>  <p>∅7 x 38 mm</p>	<p>H x 8</p> 	<p>J x 16</p>  <p>∅12 x 10 mm</p>	<p>K x 16</p>  <p>∅4 x 40 mm</p>
<p>L x 16</p>  <p>∅10 x 9.5 mm</p>	<p>M x 8</p> 	<p>N x 8</p>  <p>∅4 x 18 mm</p>	<p>P x 4</p> 	<p>Q x 48</p>  <p>∅3.5 x 14 mm</p>
<p>R x 36</p>  <p>∅3.5 x 16 mm</p>	<p>S x 36</p> 	<p>T x 1</p>  <p>U1 x 2 ∅3.5x14mm U2 x 2 U3 x 2 U4 x 2 ∅3.5*35mm U5 x 2</p>		<p>U x 4</p> 
<p>V x 1</p> 				



⚠ WARNING

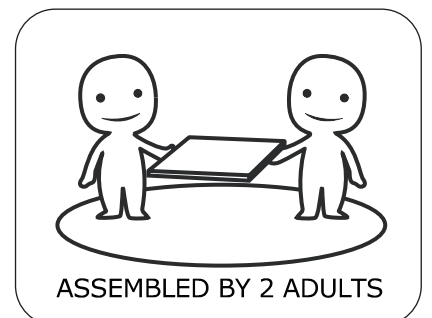


Children have died from furniture tipover. To reduce the risk of furniture tipover:

- ALWAYS install Anti-tip device provided.
- NEVER put a TV on this product.
- NEVER allow children to stand, climb or hang on drawers, doors, or shelves.
- NEVER open more than one drawer at a time.
- Place heaviest items in the lowest drawers.



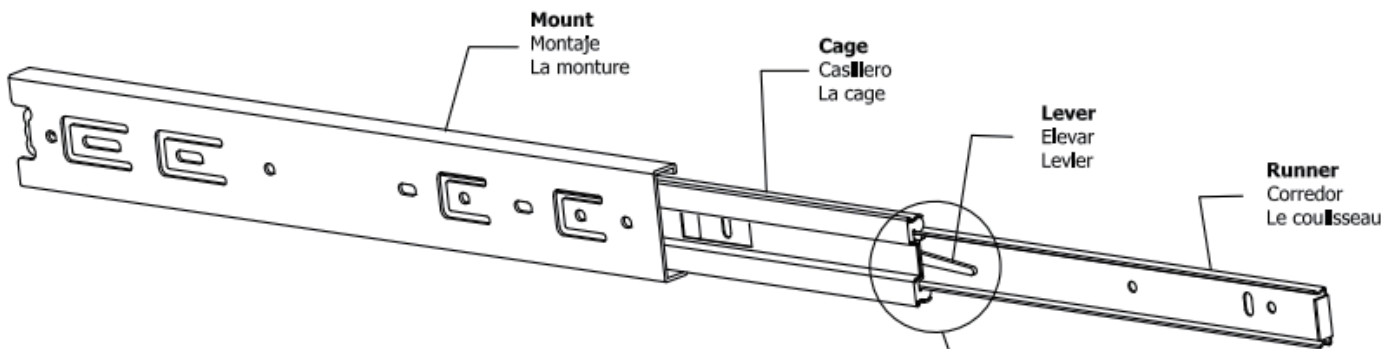
*This is a permanent label.
Do not remove!*



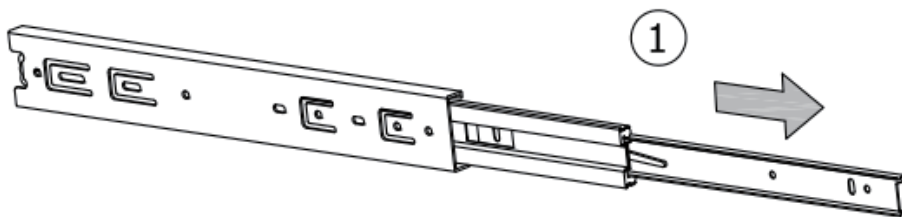
**Slides Must Be Separated Before Assembly.
After Separated, Set Aside Until Needed for Assembly.**

Las diapositivas deben separarse antes del montaje.
Después de la separación, déjelo a un lado hasta que sea necesario.

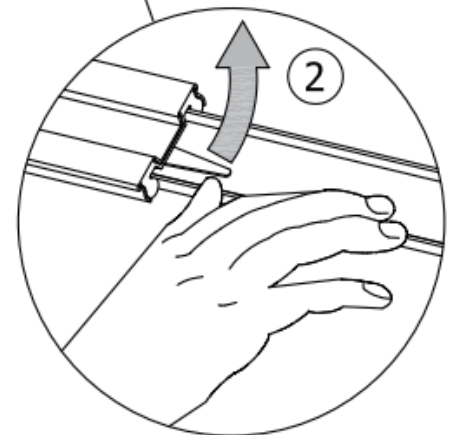
Les glissières doivent être séparées avant l'assemblage.
Après la séparation, mettez de côté jusqu'au moment de l'assemblage.



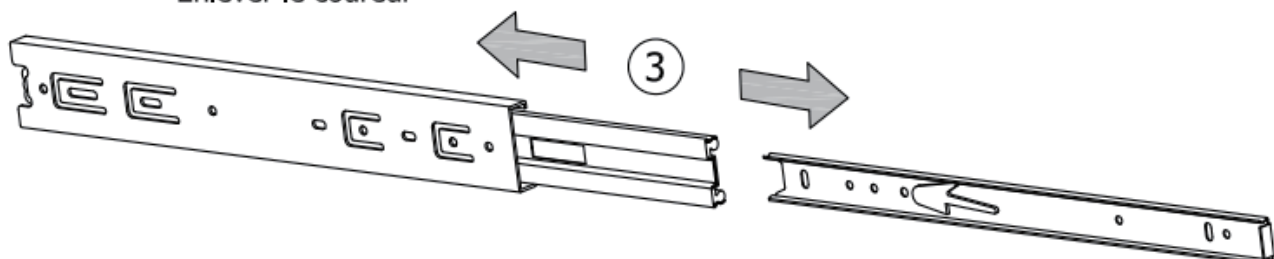
STEP 1: Extend Slide
Extender la diapositiva
Extendre la diapositive



STEP 2: Push Lever UP
Empujar hacia arriba
Lever le levier

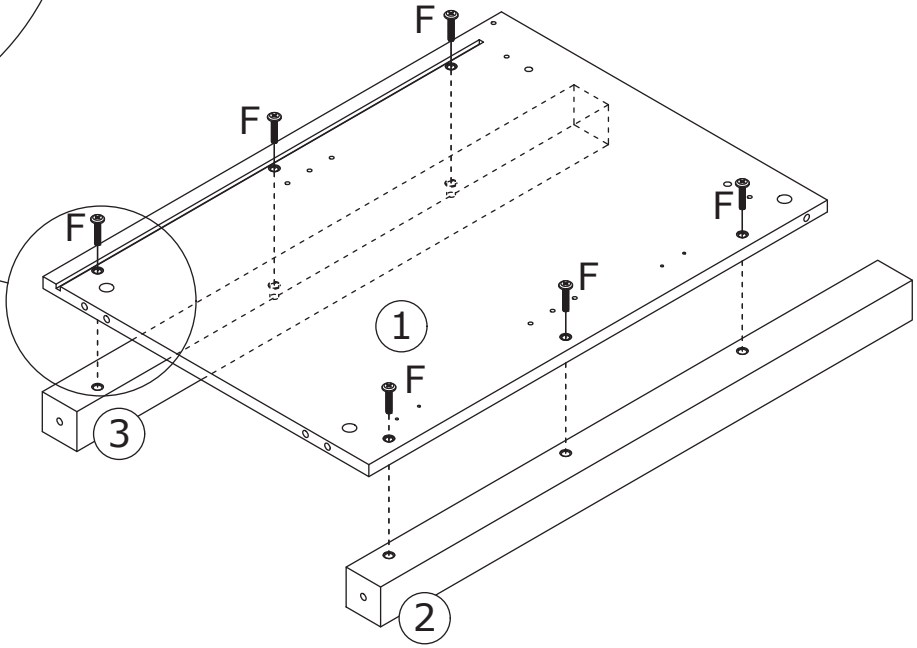
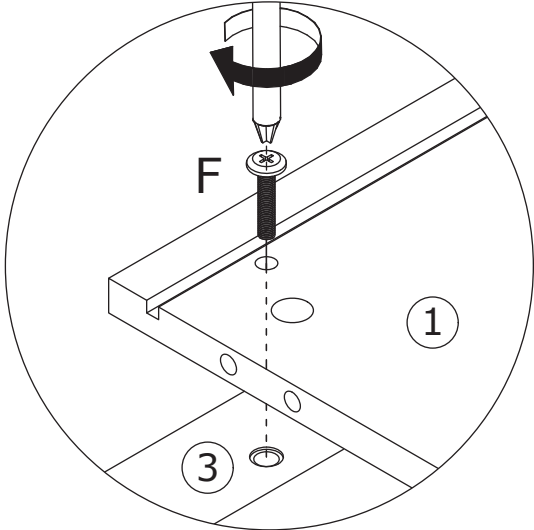
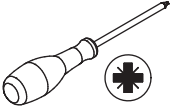


STEP 3: Remove Runner
Quitar el corredor
Enlever le coureur



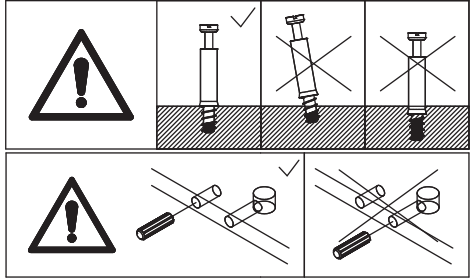
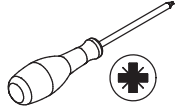
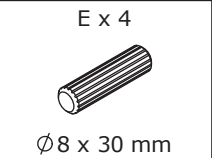
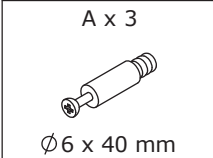
1

F x 6
Ø6 x 25 mm

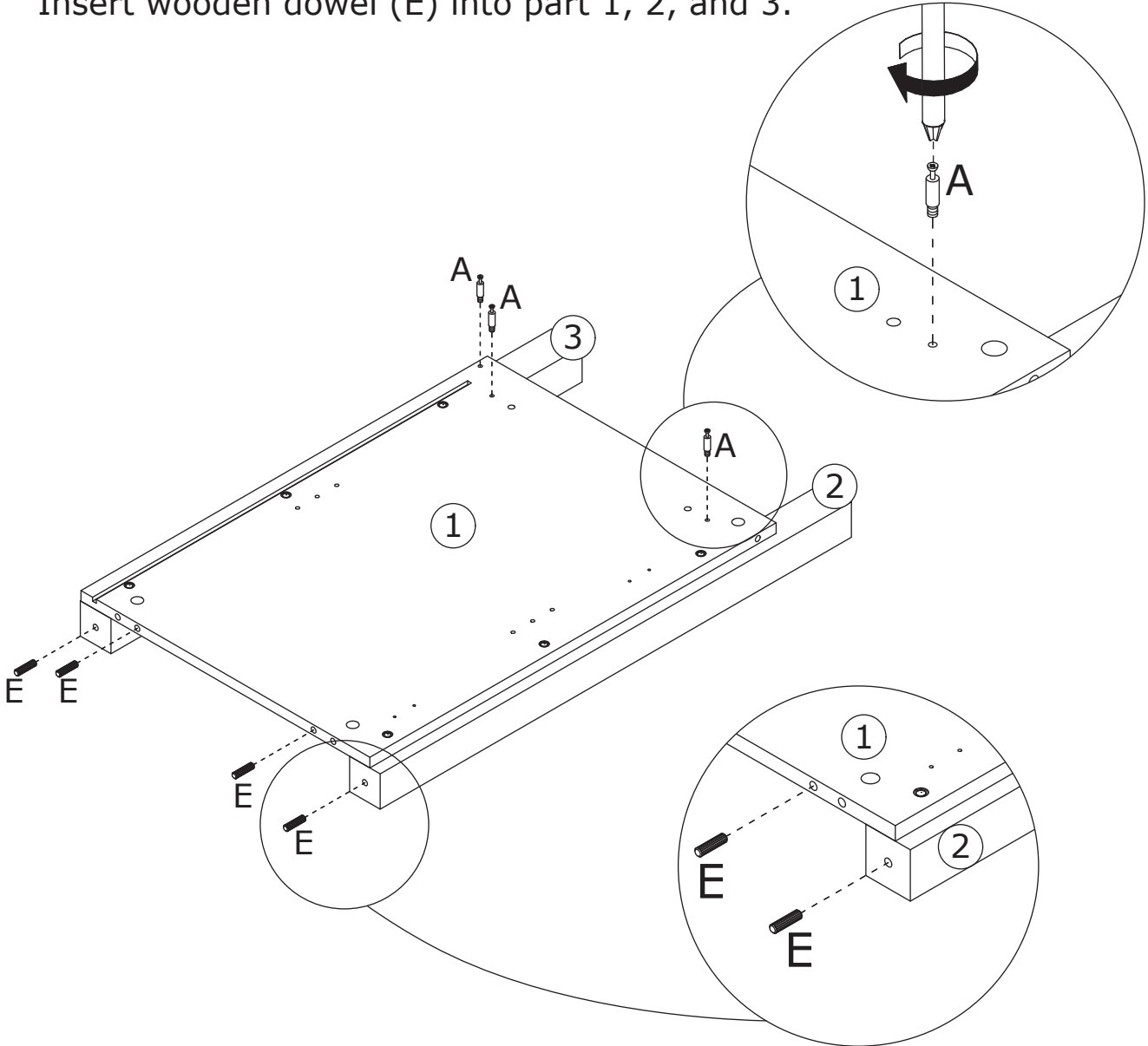


Secure part 2 and 3 to part 1 using screw (F).

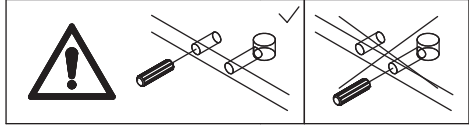
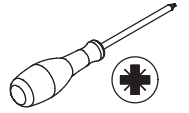
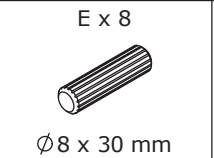
2



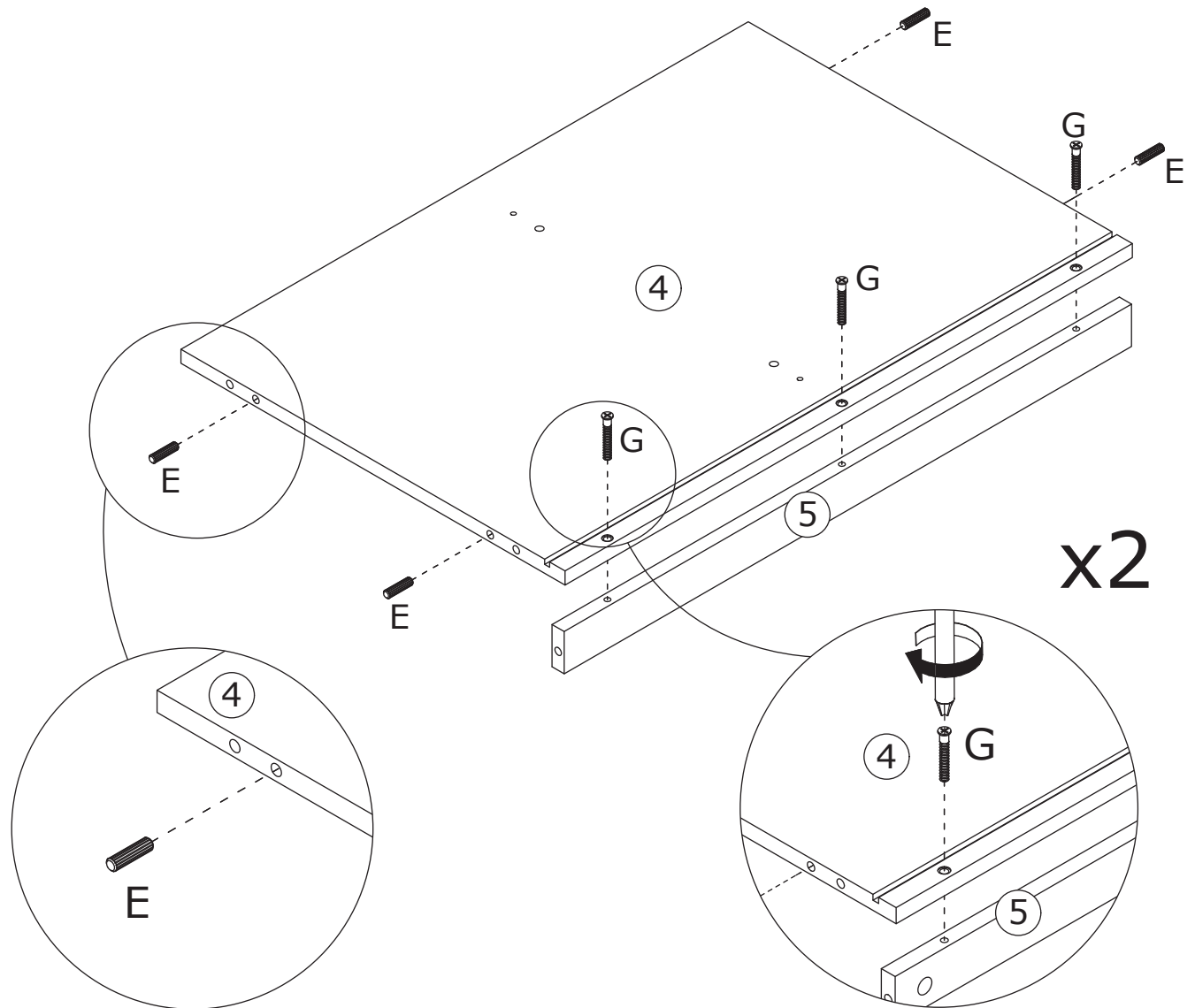
Screw eccentric rod (A) onto part 1.
Insert wooden dowel (E) into part 1, 2, and 3.



3

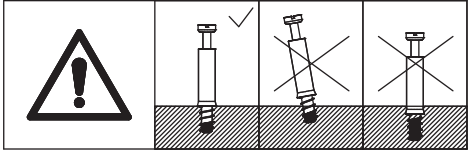
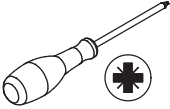


Secure part 5 to part 4 using screw (G).
Insert wooden dowel (E) into part 4.

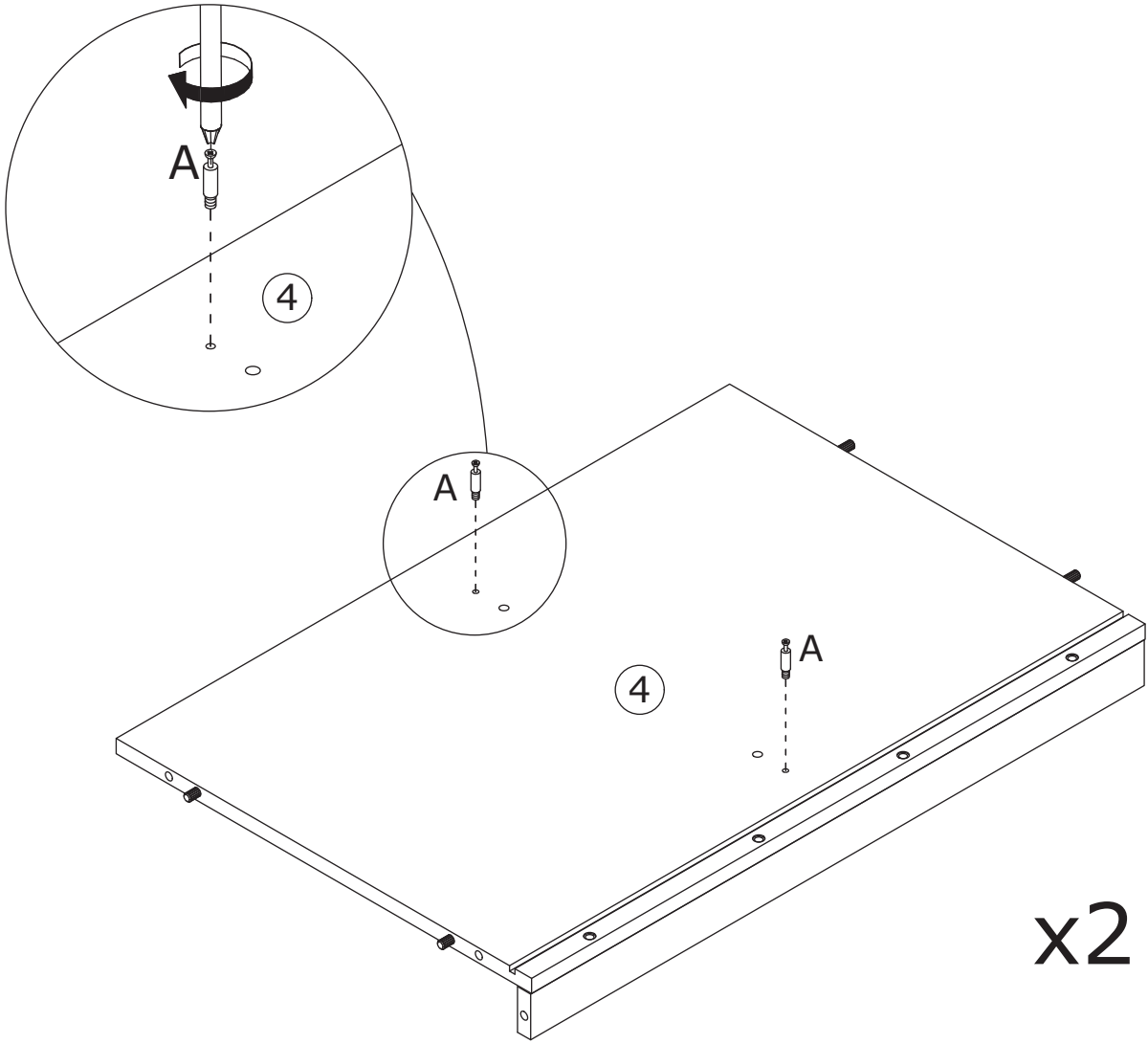


4

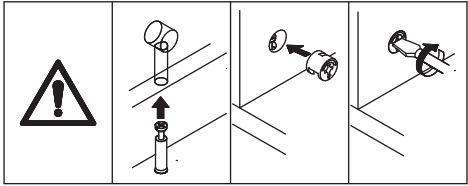
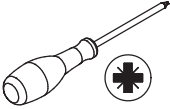
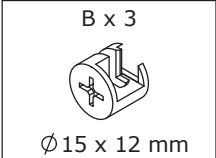
A x 4
Ø6 x 40 mm



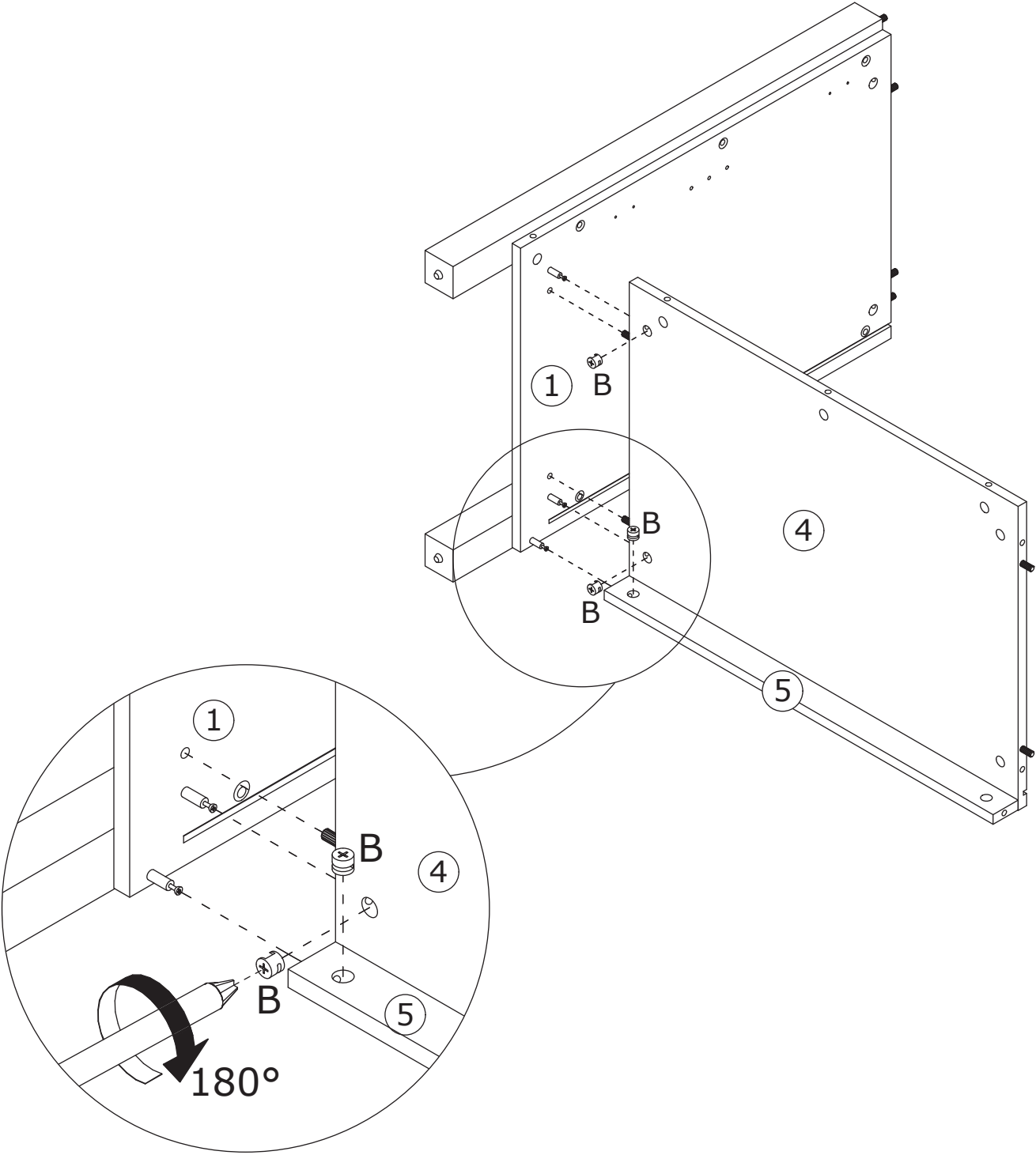
Screw eccentric rod (A) onto part 4.



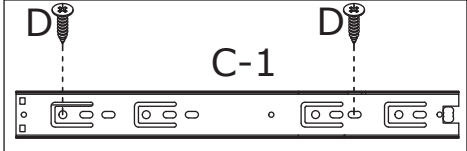
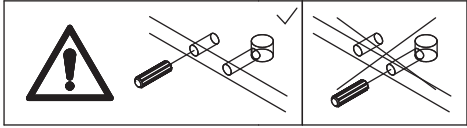
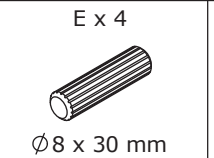
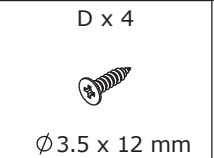
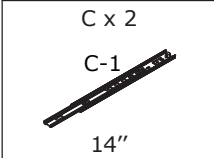
5



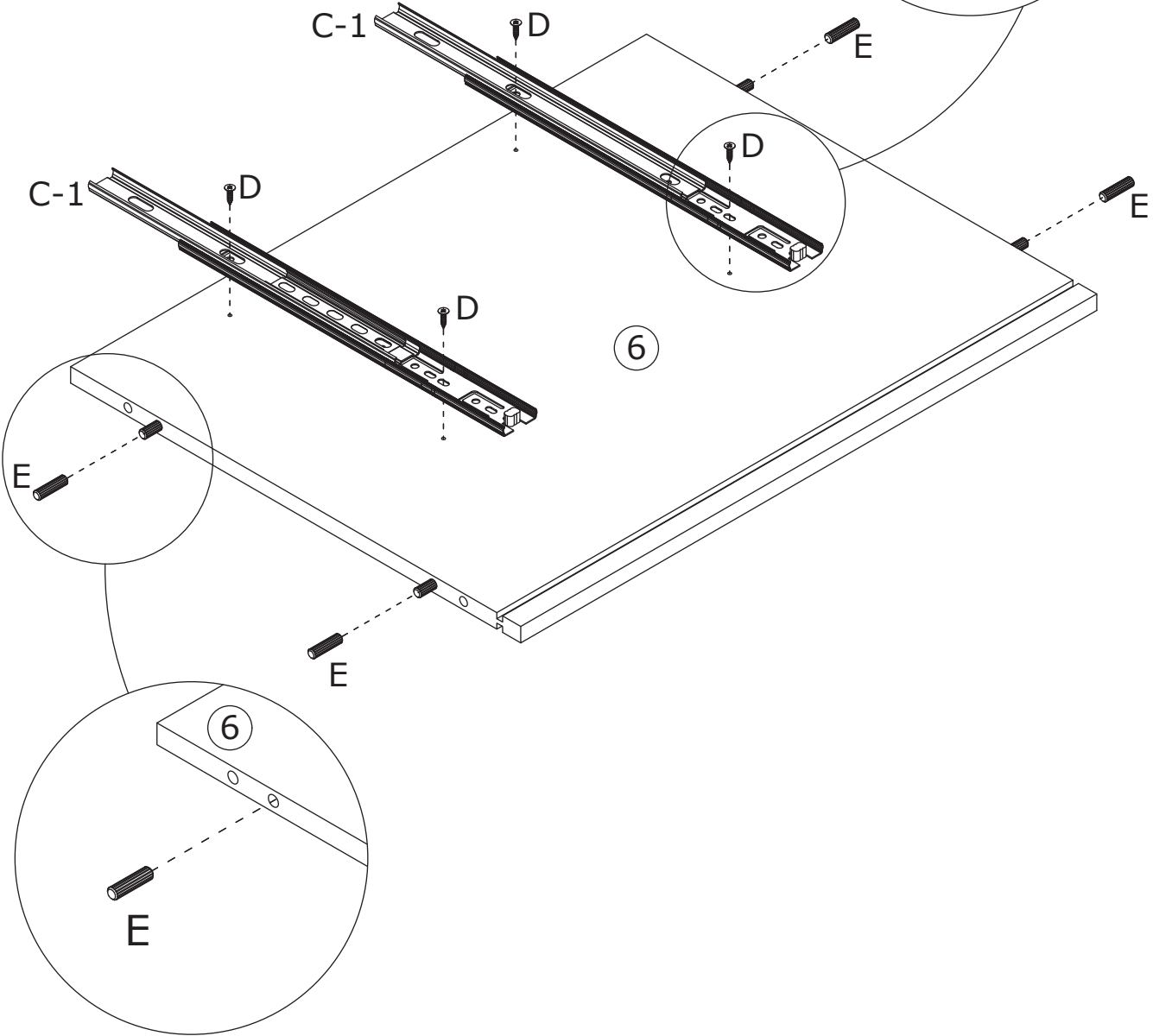
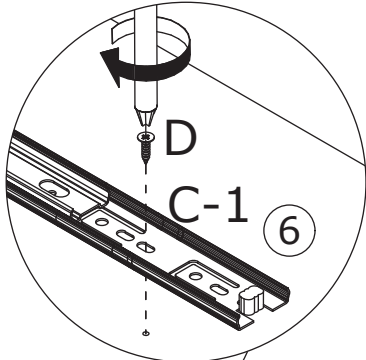
Connect part 4 and 5 to part 1, then tighten by turning cam lock (B) clockwise.



6

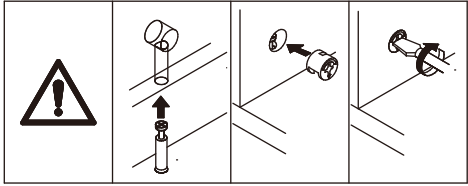
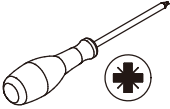


Secure slide rail (C-1) to part 6 using screw (D).
Insert wooden dowel (E) into part 6.

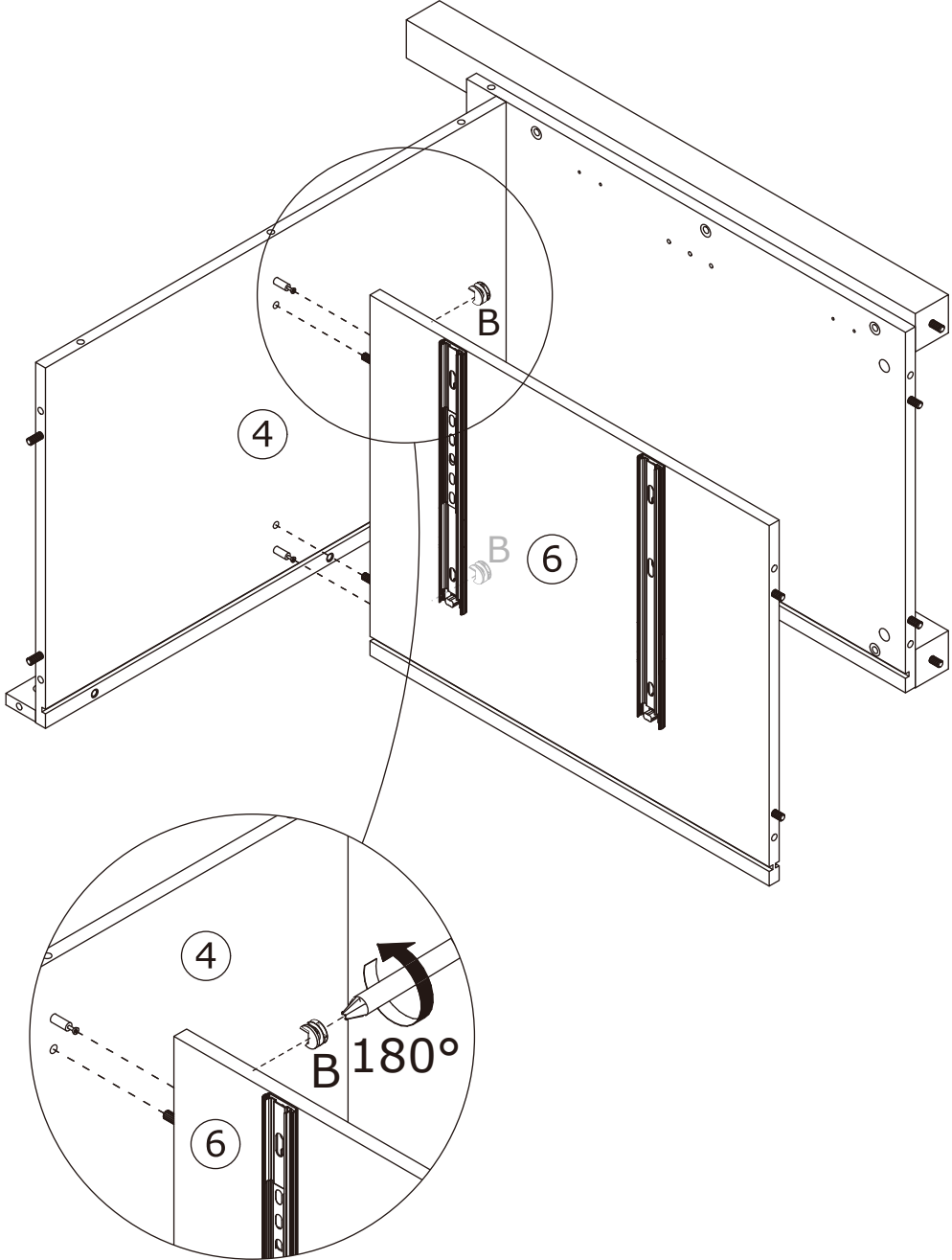


7

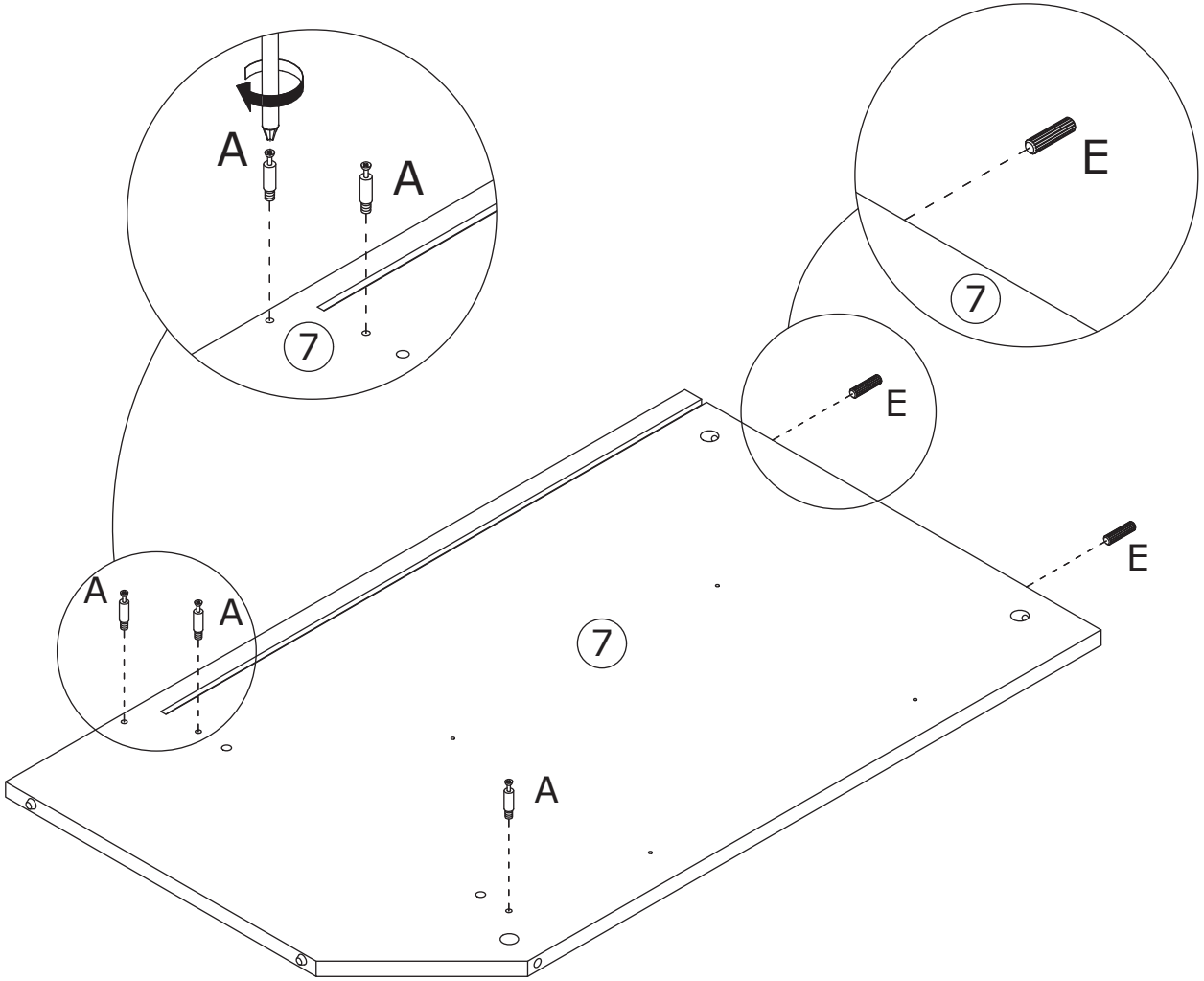
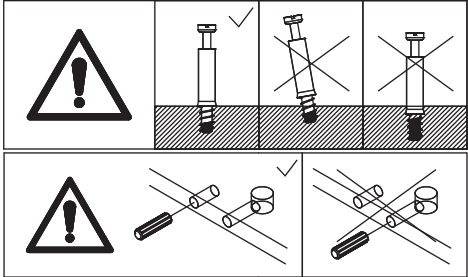
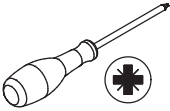
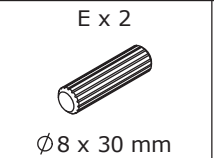
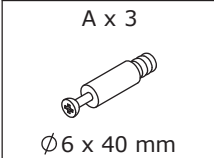
B x 2
Ø15 x 12 mm



Connect part 6 to part 4, then tighten by turning cam lock (B) clockwise.



8

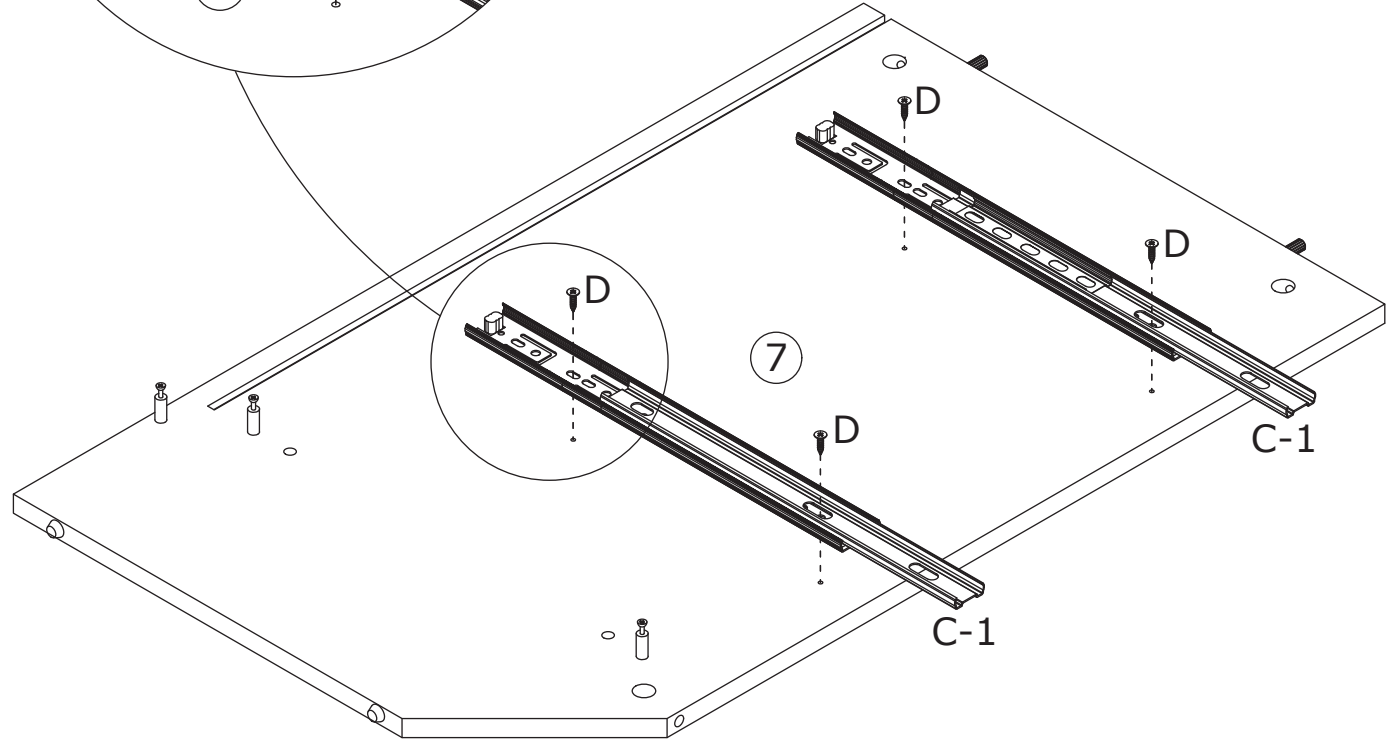
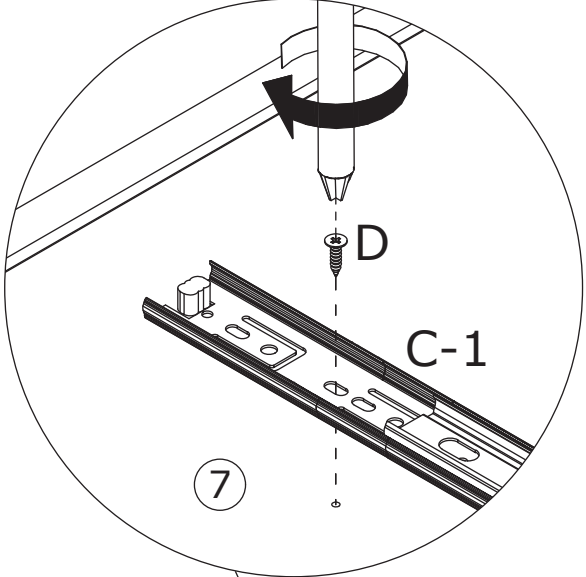
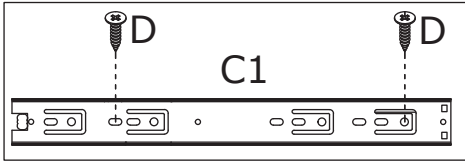
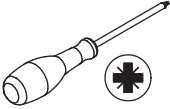


Screw eccentric rod (A) and insert wooden dowel (E) to part 7.

9

C x 2
C1
14"

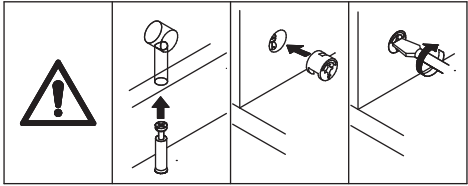
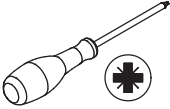
D x 4
Ø 3.5 x 12 mm



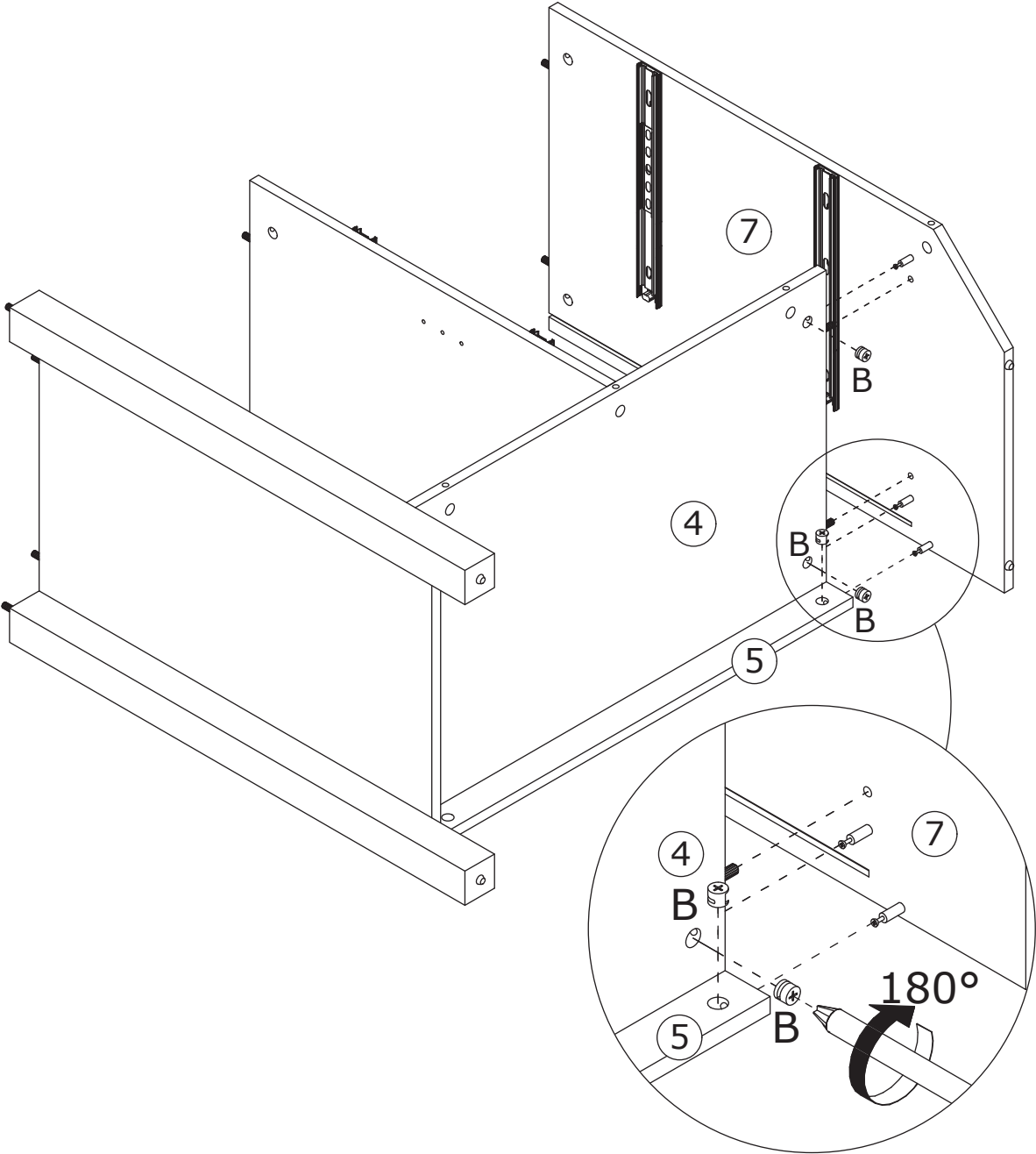
Secure slide rail (C-1) to part 7 using screw (D).

10

B x 3
Ø15 x 12 mm

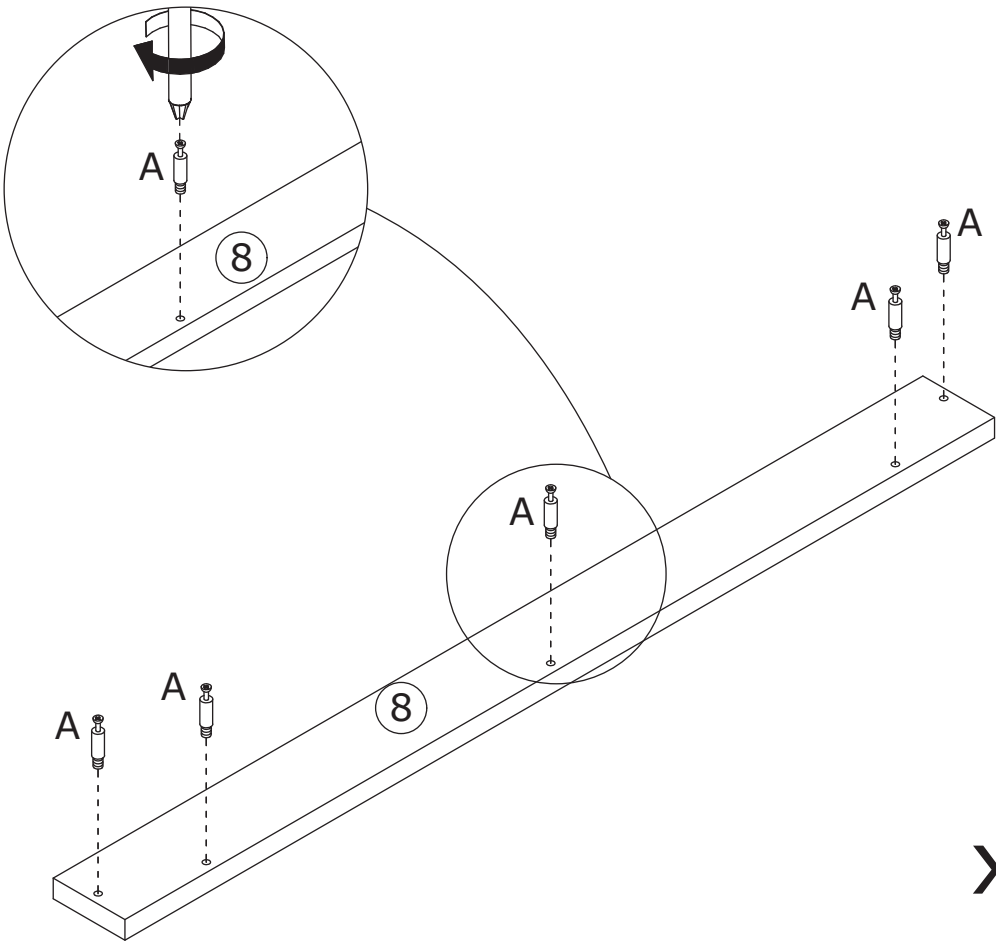
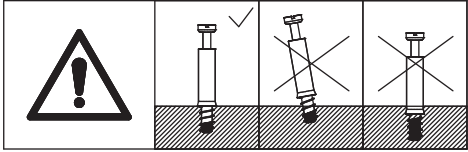
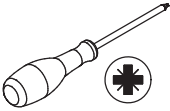


Connect part 4 and 5 to part 7, then tighten by turning cam lock (B) clockwise.



11

A x 10
Ø6 x 40 mm

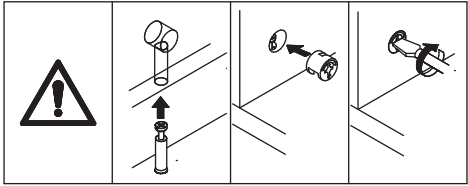
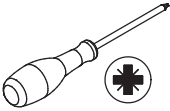


x2

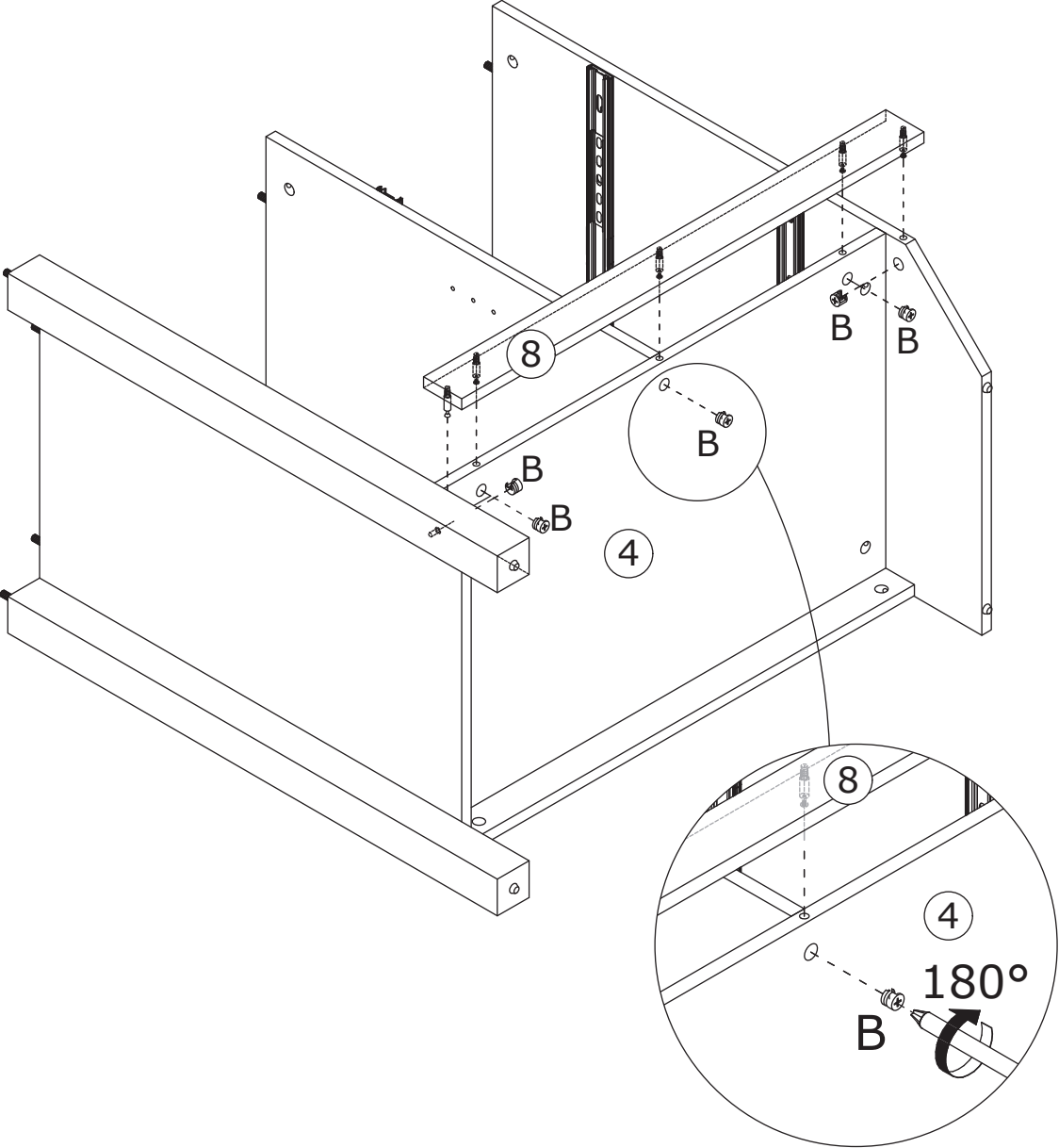
Screw eccentric rod (A) onto part 8.

12

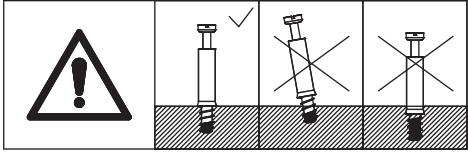
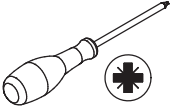
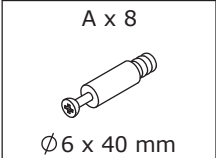
B x 5
Ø15 x 12 mm



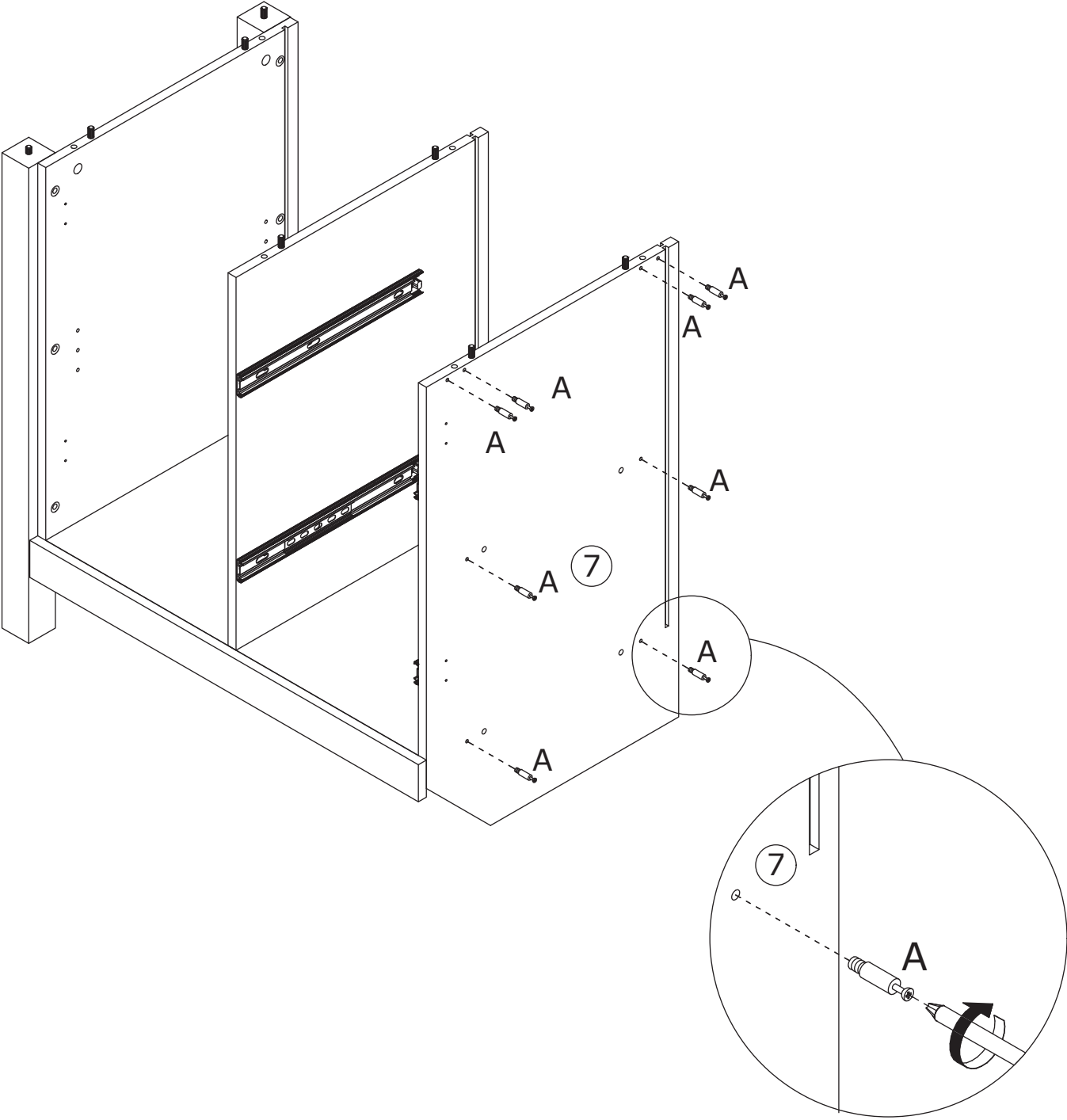
Connect part 8 to part 4, then tighten by turning cam lock (B) clockwise.



13

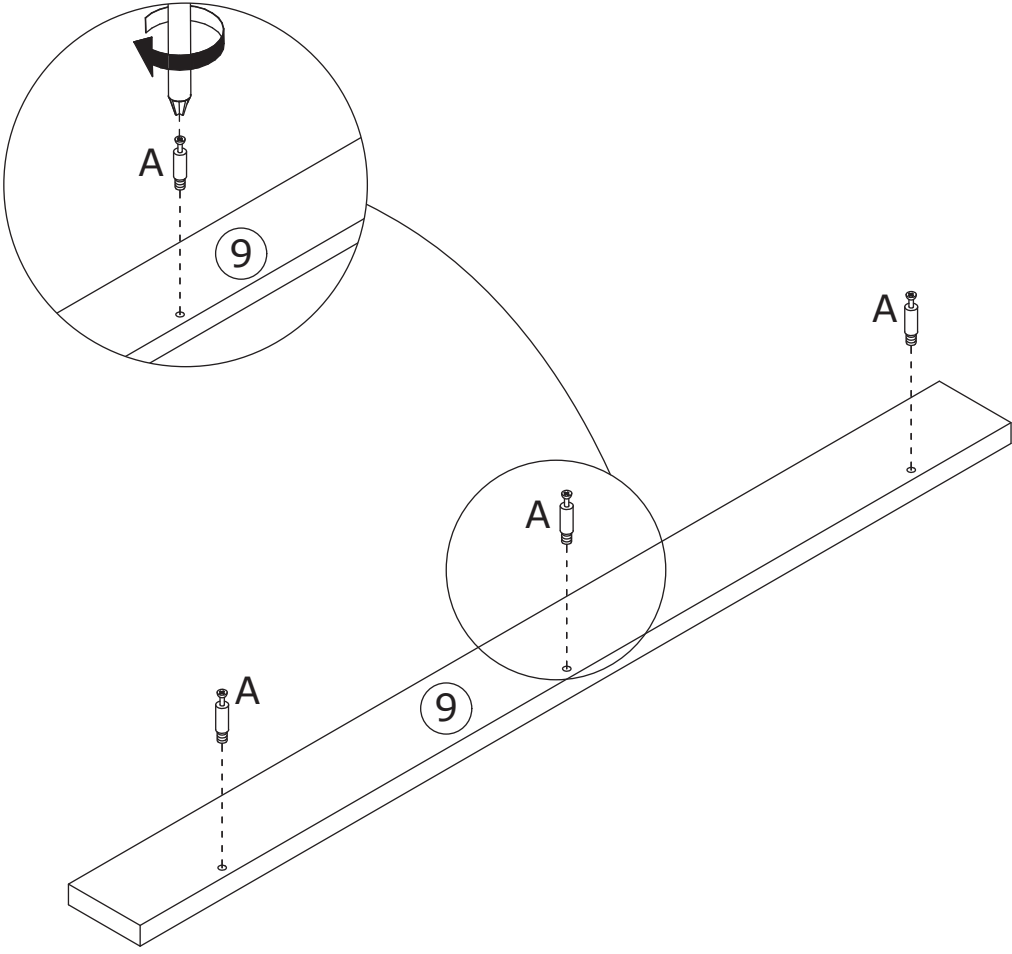
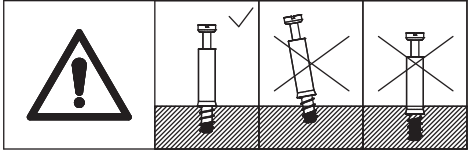
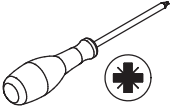


Screw eccentric rod (A) onto part 7.



14

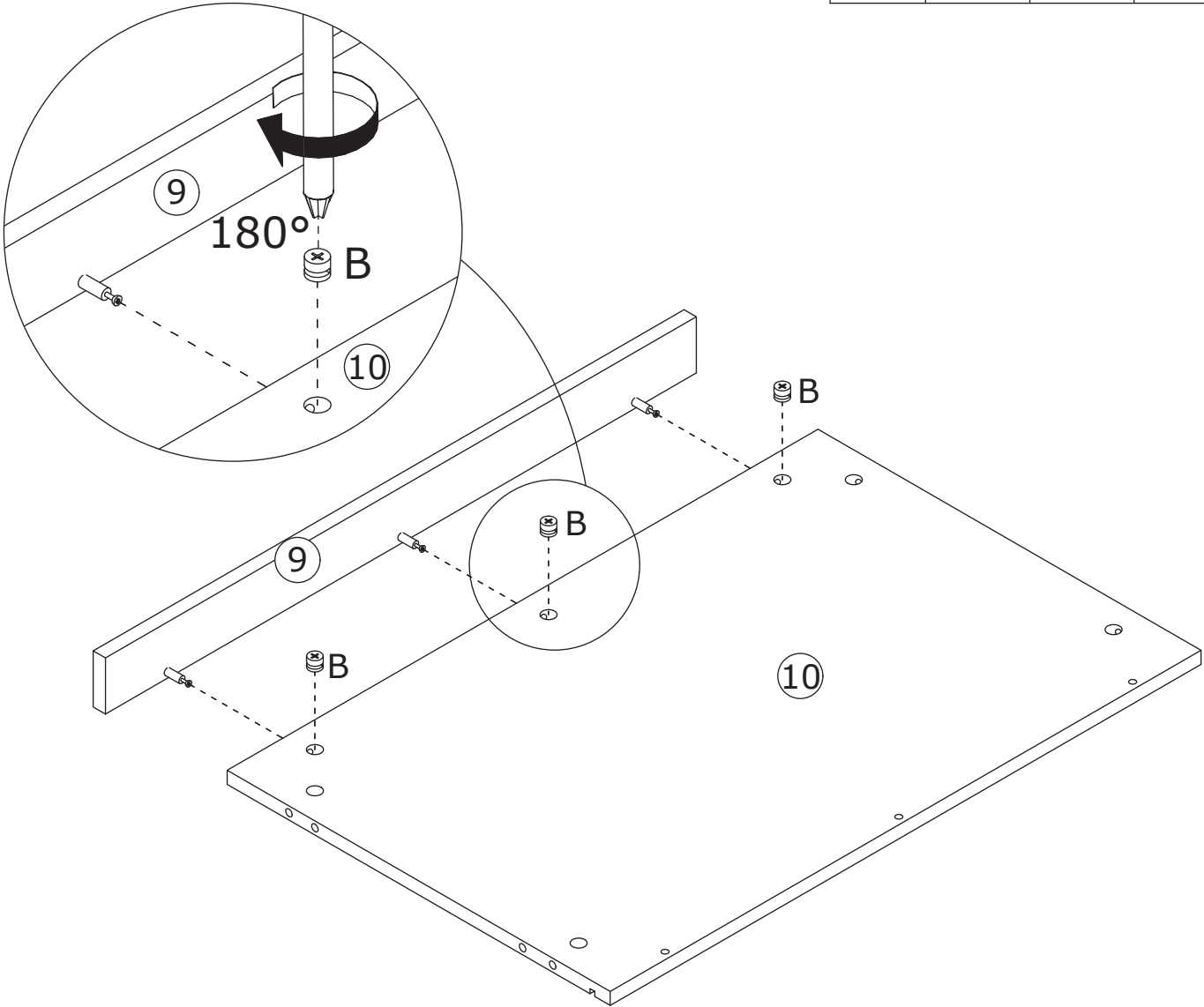
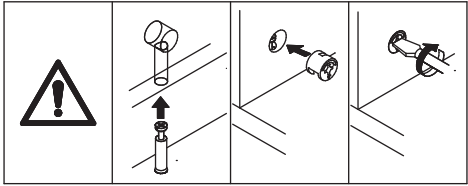
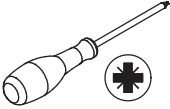
A x 3
Ø6 x 40 mm



Screw eccentric rod (A) onto part 9.

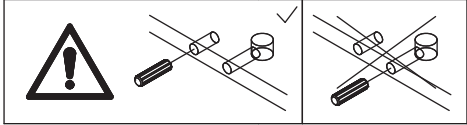
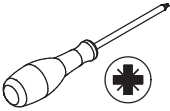
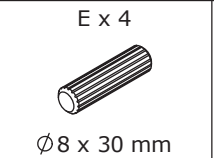
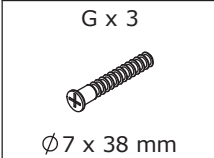
15

B x 3
Ø15 x 12 mm

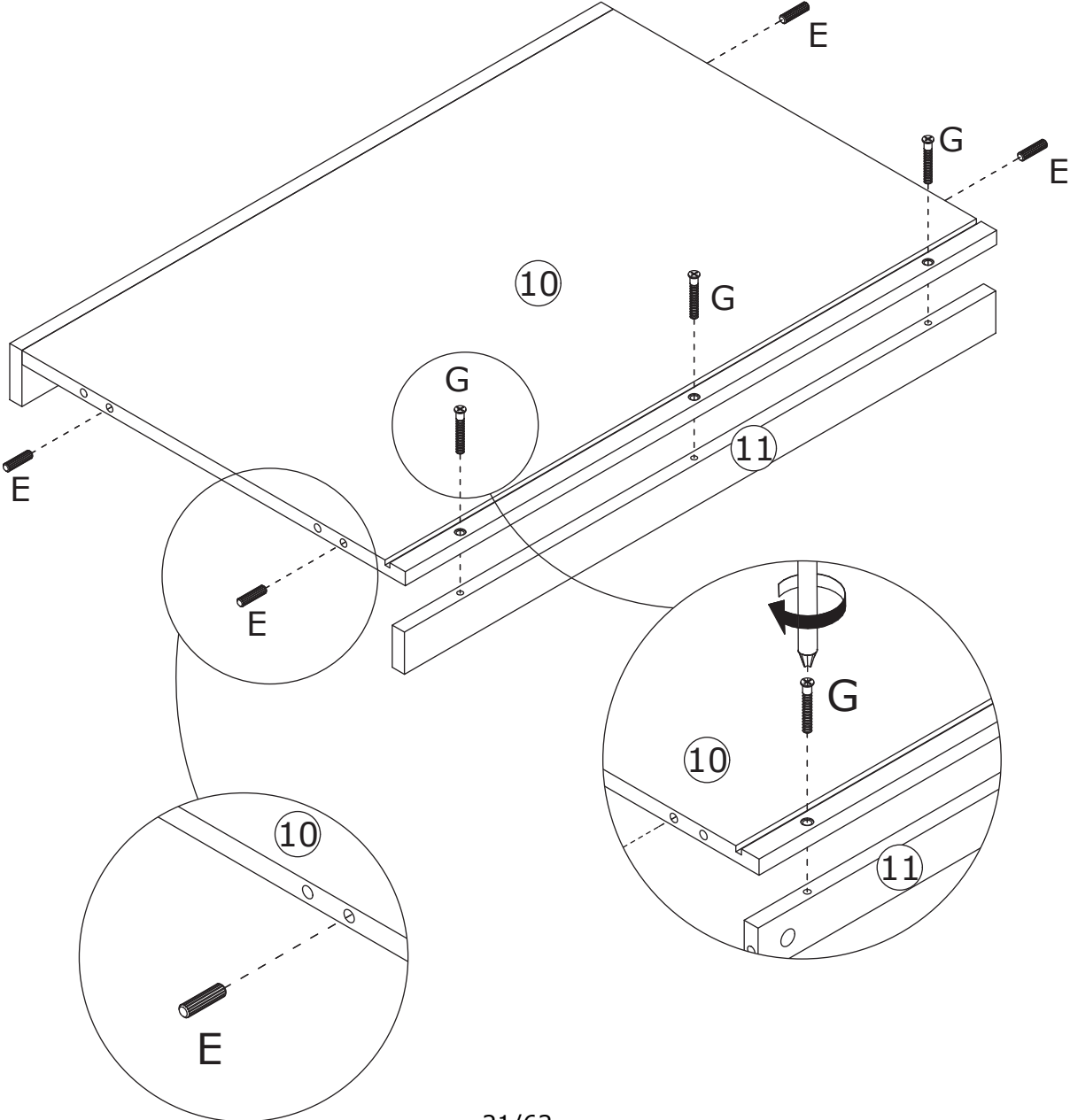


Connect part 10 to part 9, then tighten by turning cam lock (B) clockwise.

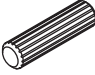
16

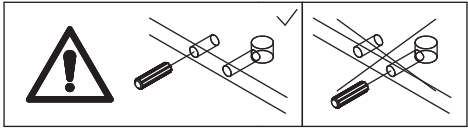


Secure part 11 to part 10 using screw (G).
Insert wooden dowel (E) into part 10.

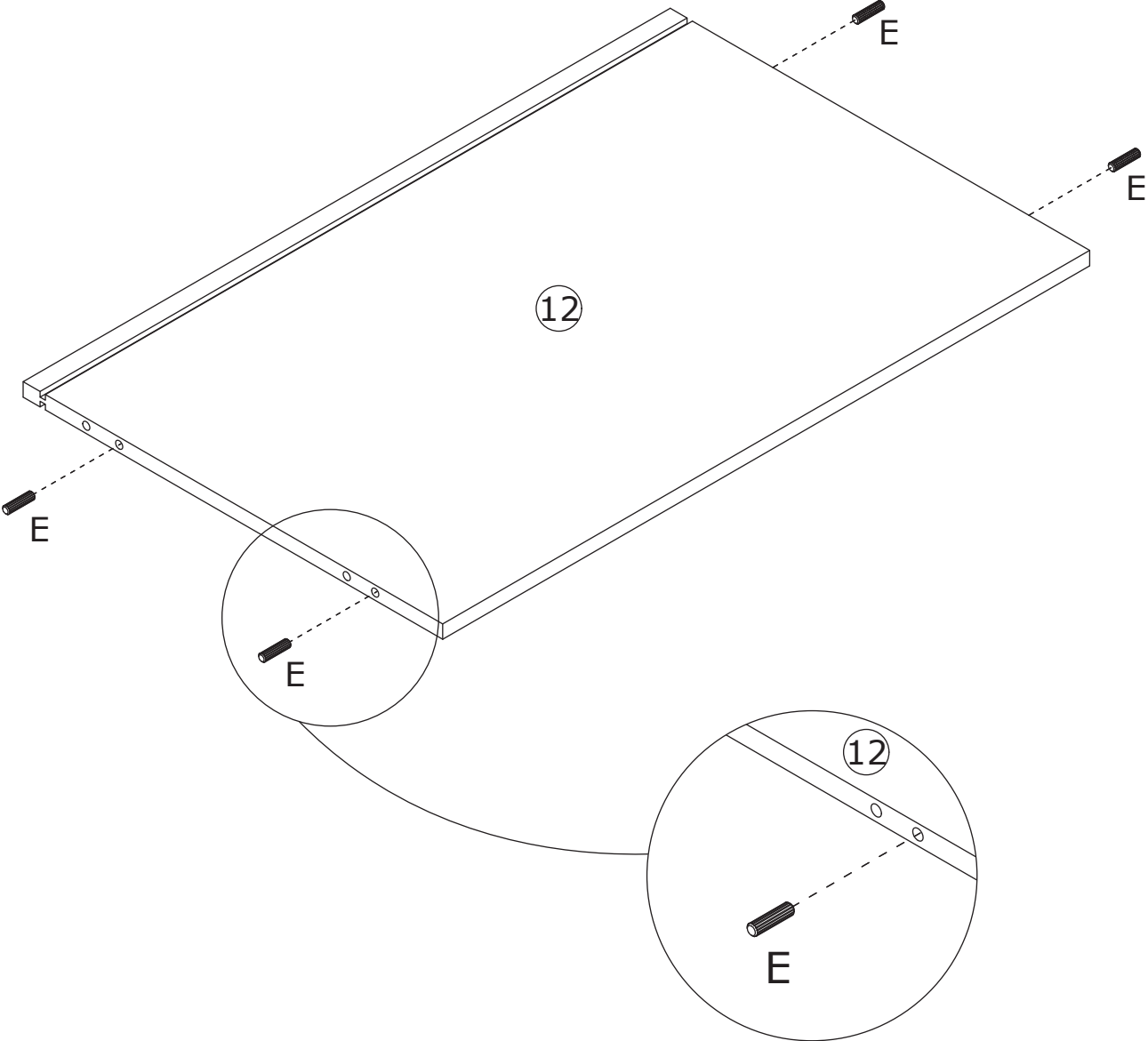


17

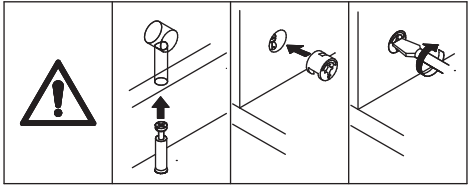
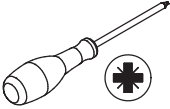
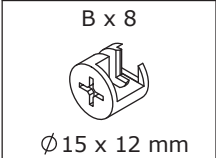
E x 4

Ø8 x 30 mm



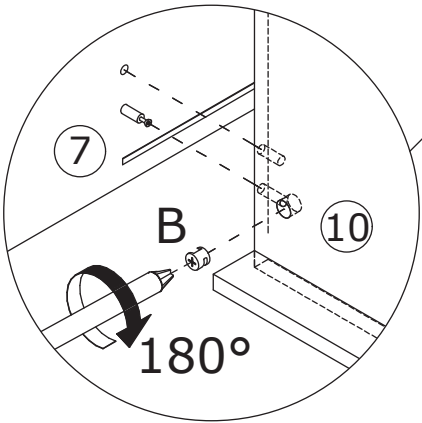
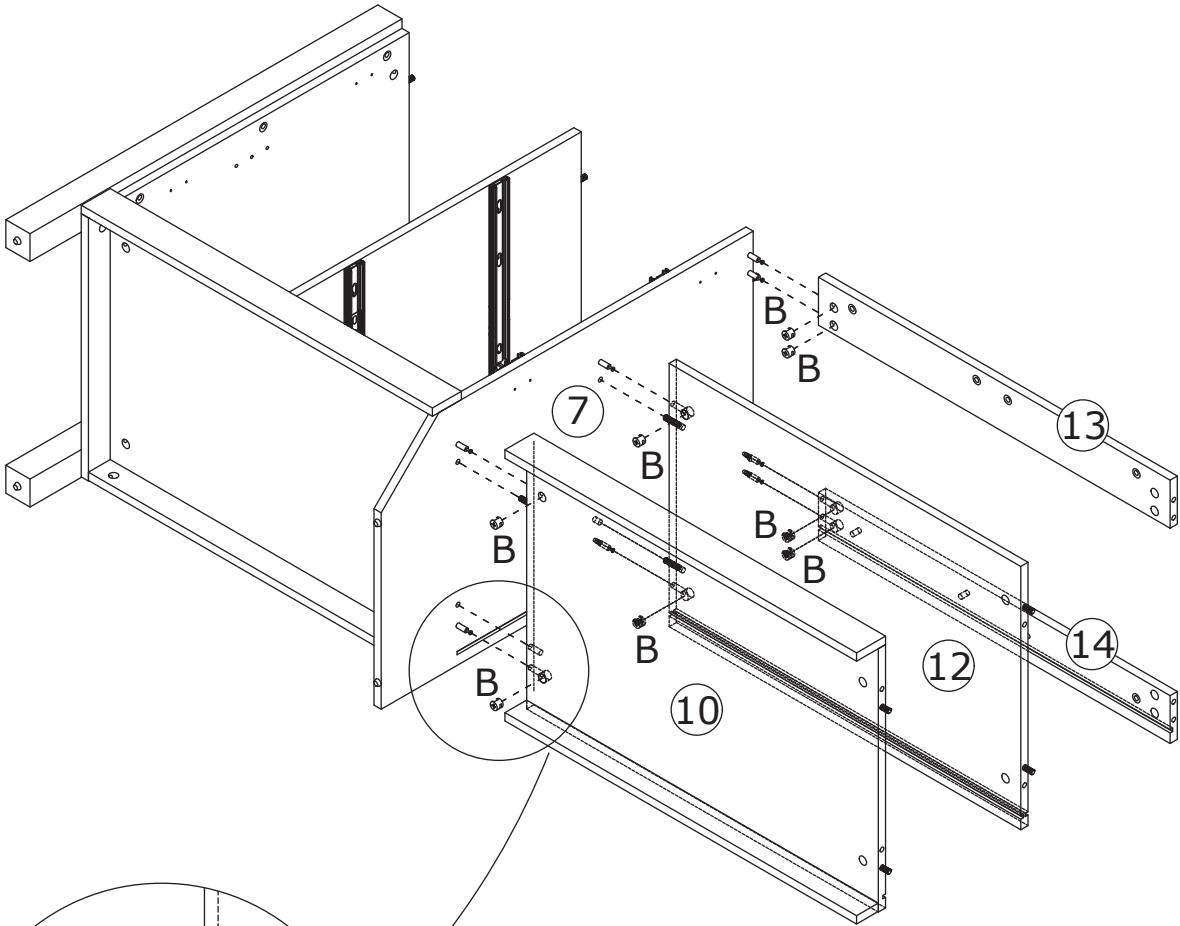
Instert wooden dowel (E) into part 12.



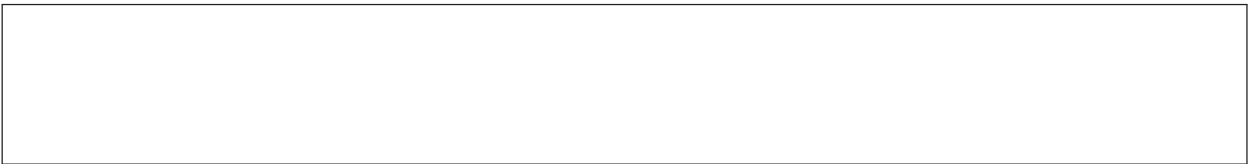
18



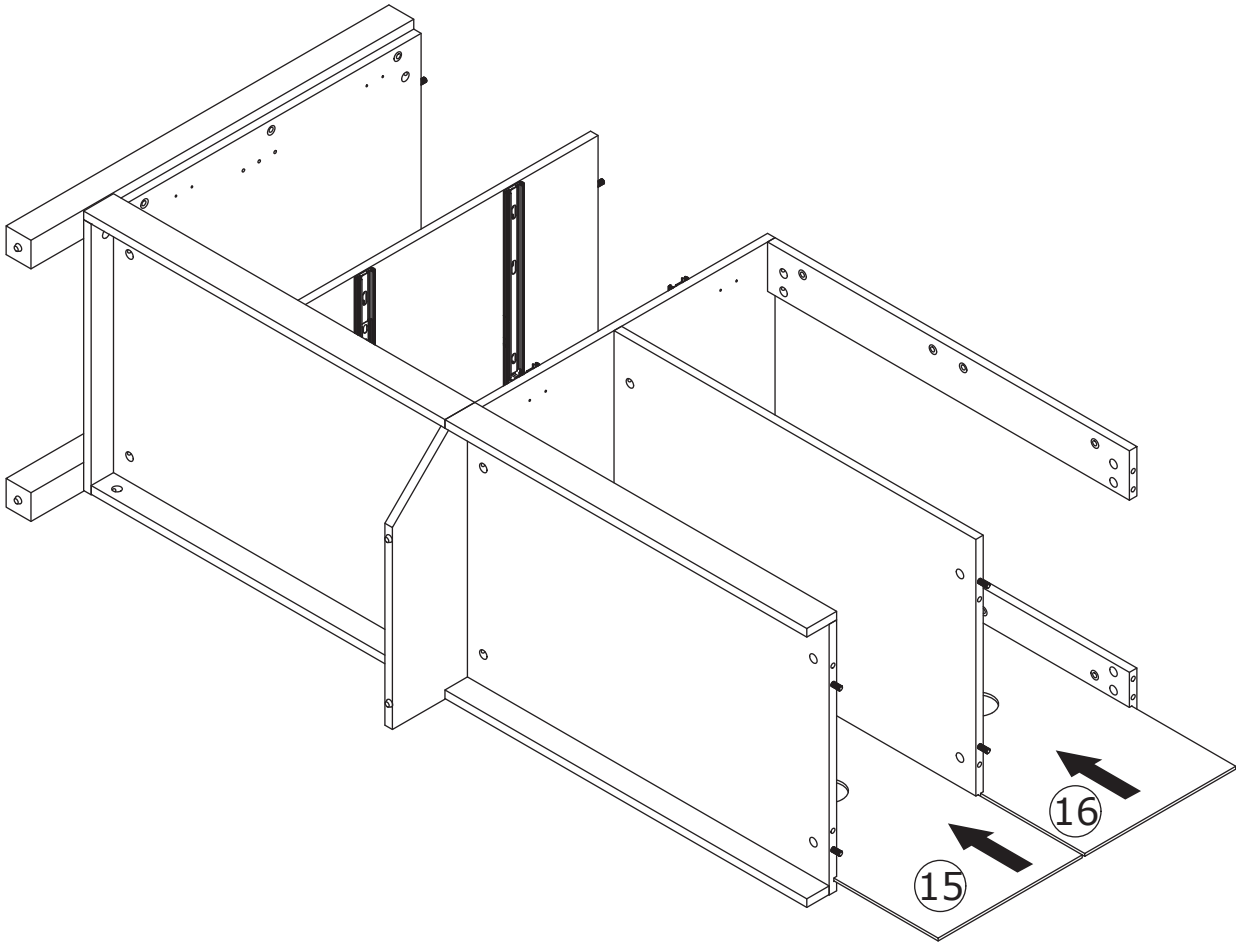
Connect part 10, 12, 13 and 14 to part 7, then tighten by turning cam lock (B) clockwise.



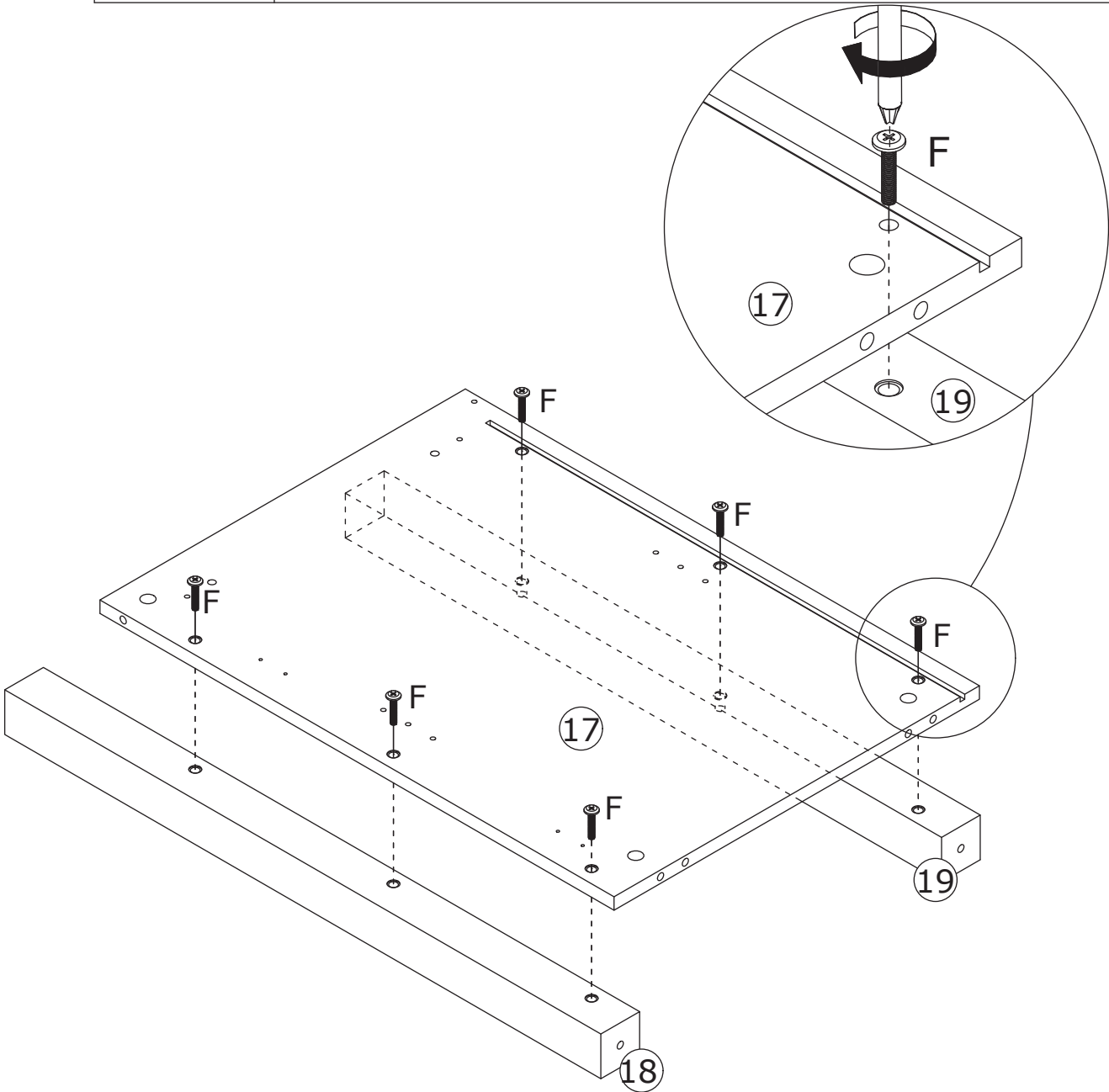
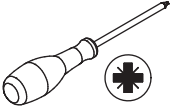
19



Insert part 15 and 16 along the available grooves.

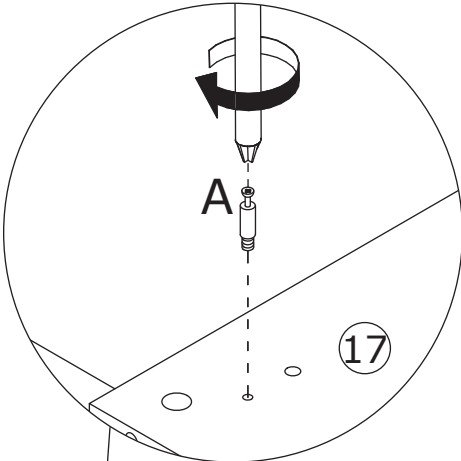
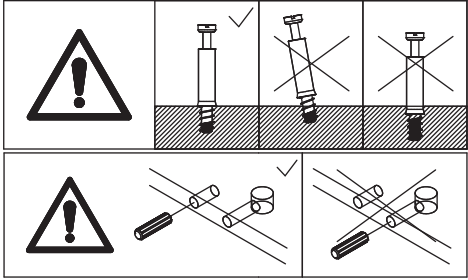
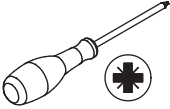
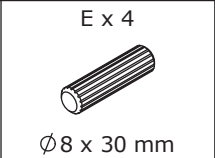


20

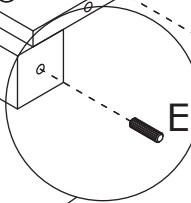
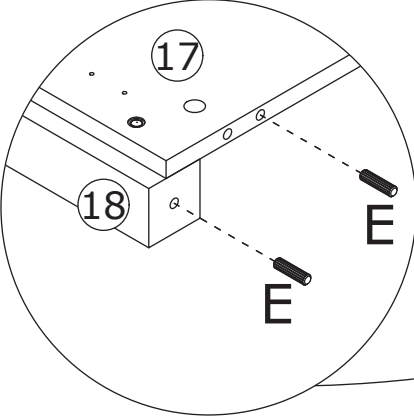
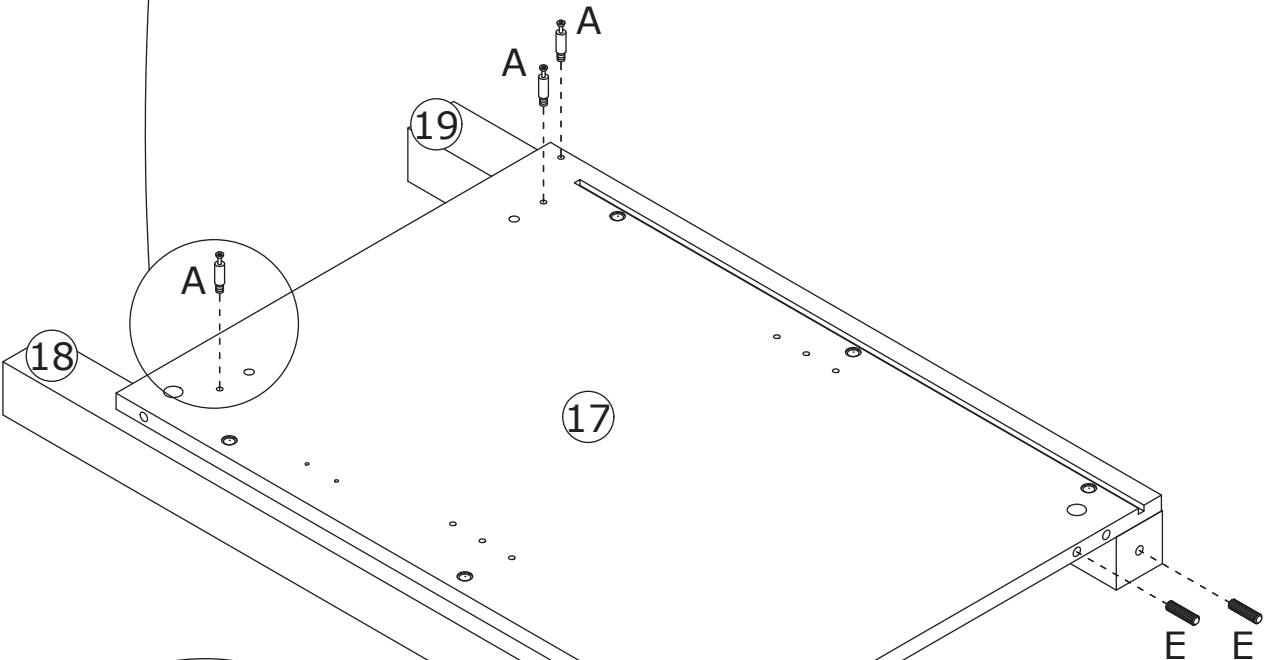


Secure part 18 and 19 to part 17 using screw (F).

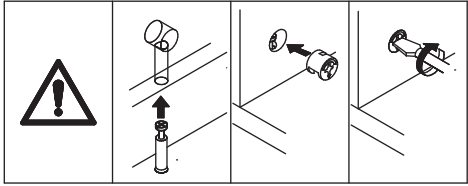
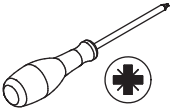
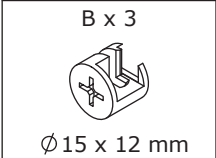
21



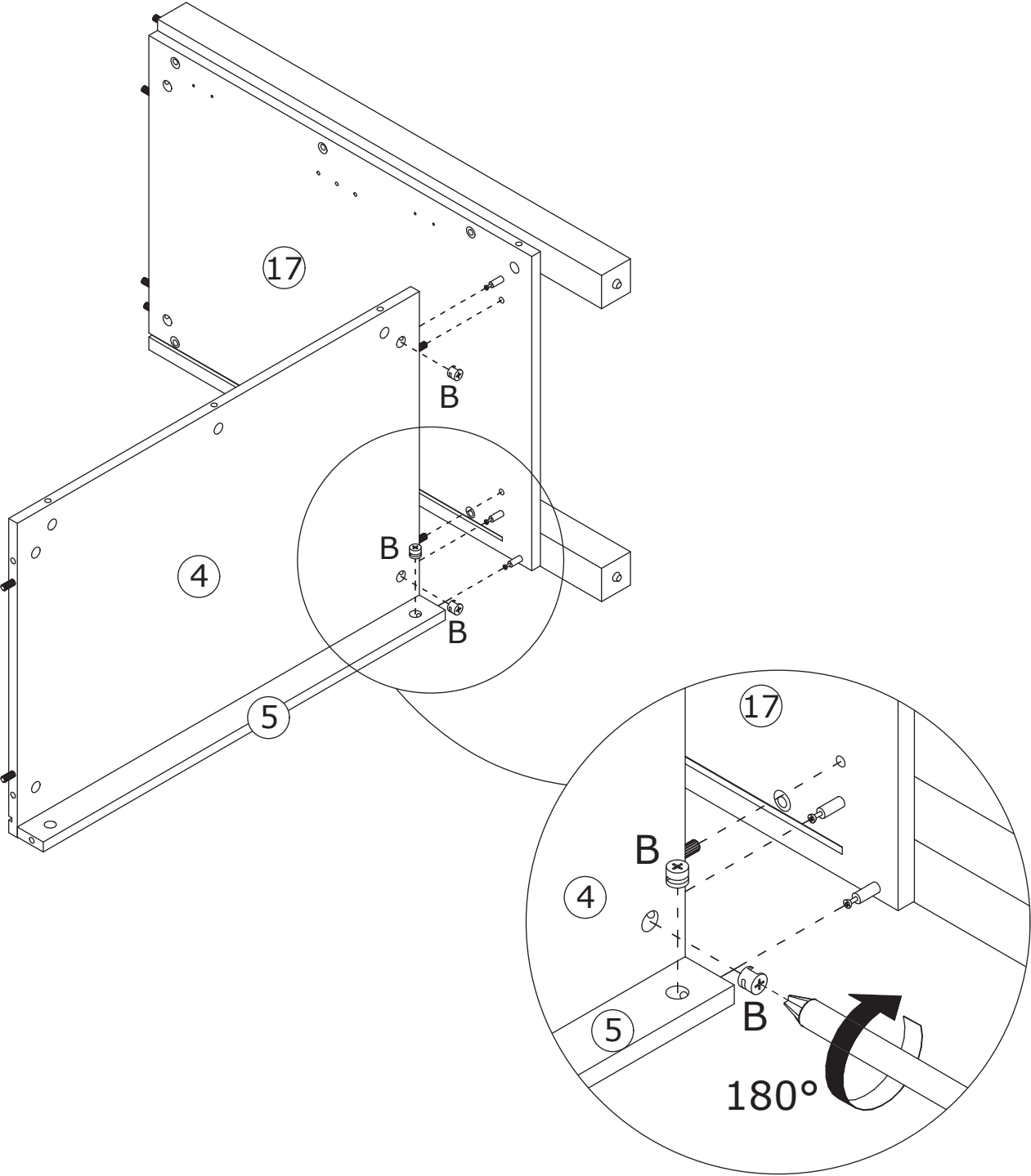
Screw eccentric rod (A) onto part 17.
Insert wooden dowel (E) into part 17,
18 and 19.



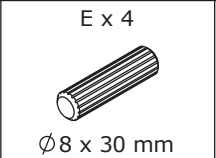
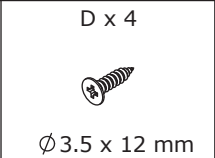
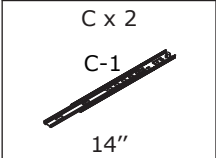
22



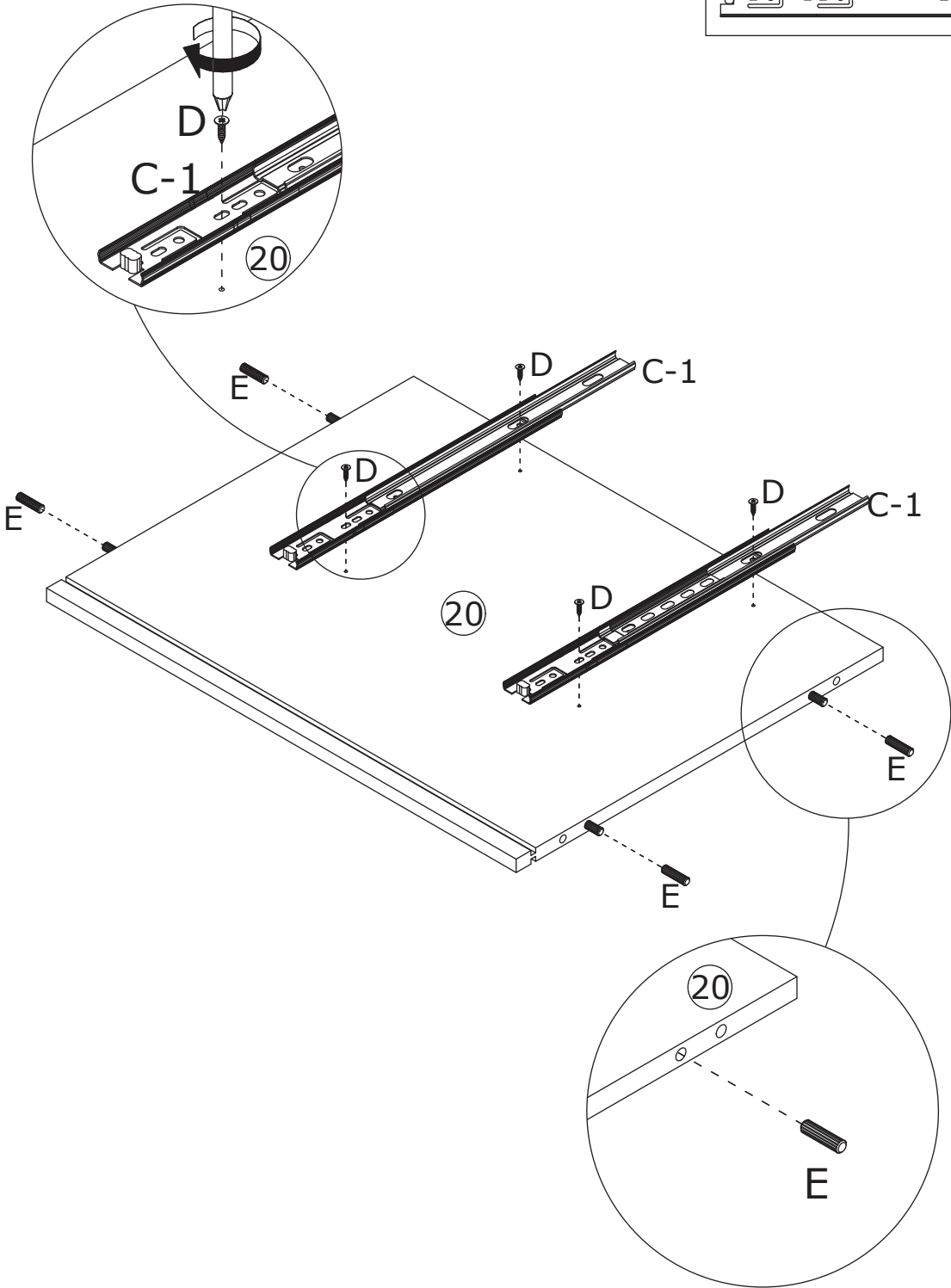
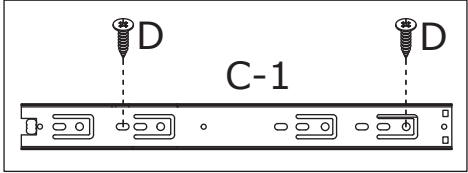
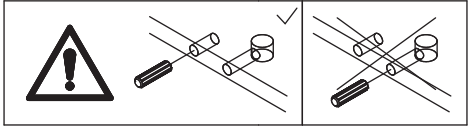
Connect part 4 and 5 to part 17, then tighten by turning cam lock (B) clockwise.



23

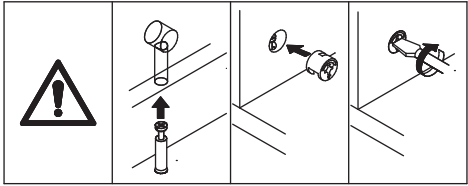
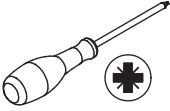


Secure slide rail (C-1) to part 20 using screw (D).
Insert wooden dowel (E) into part 20.

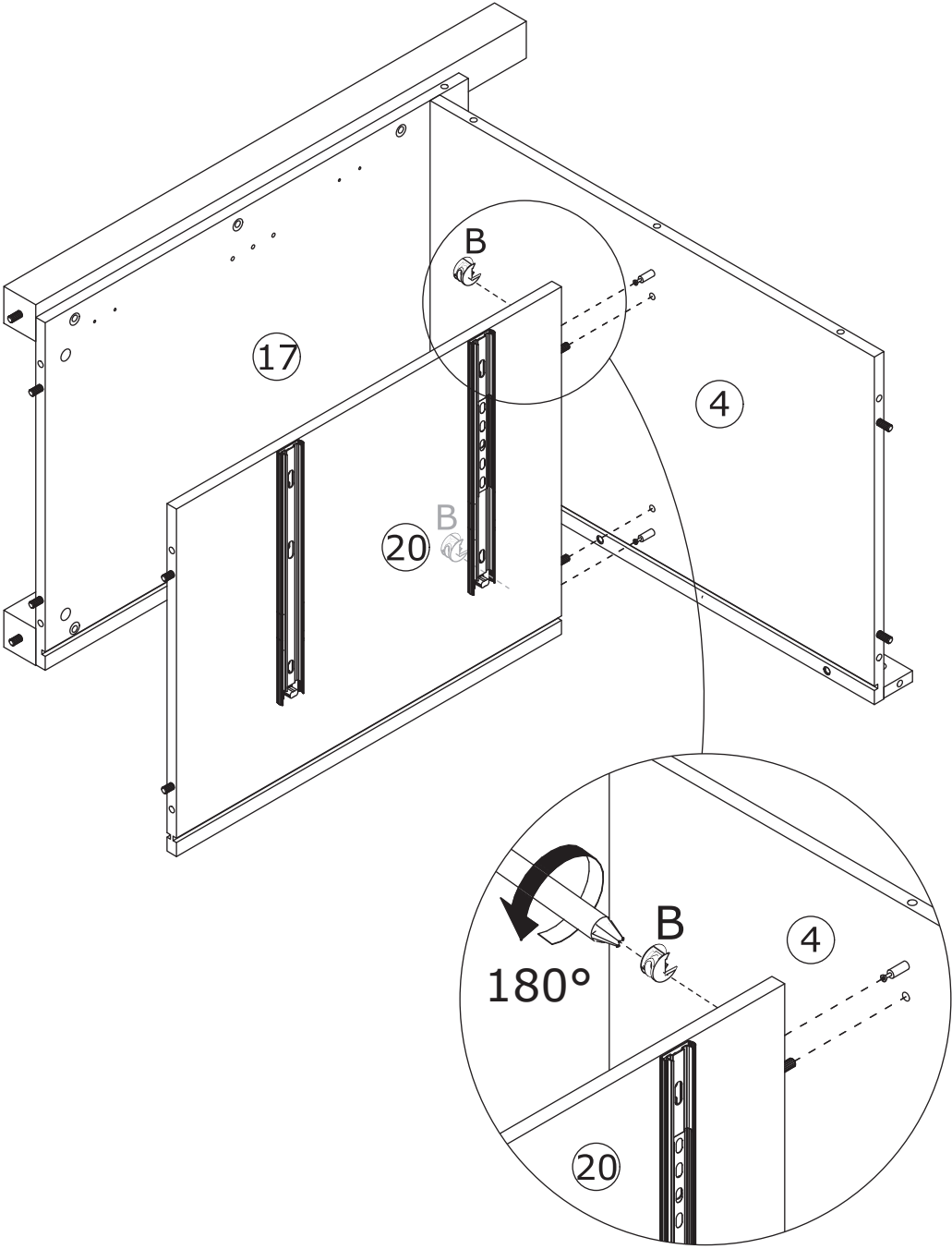


24

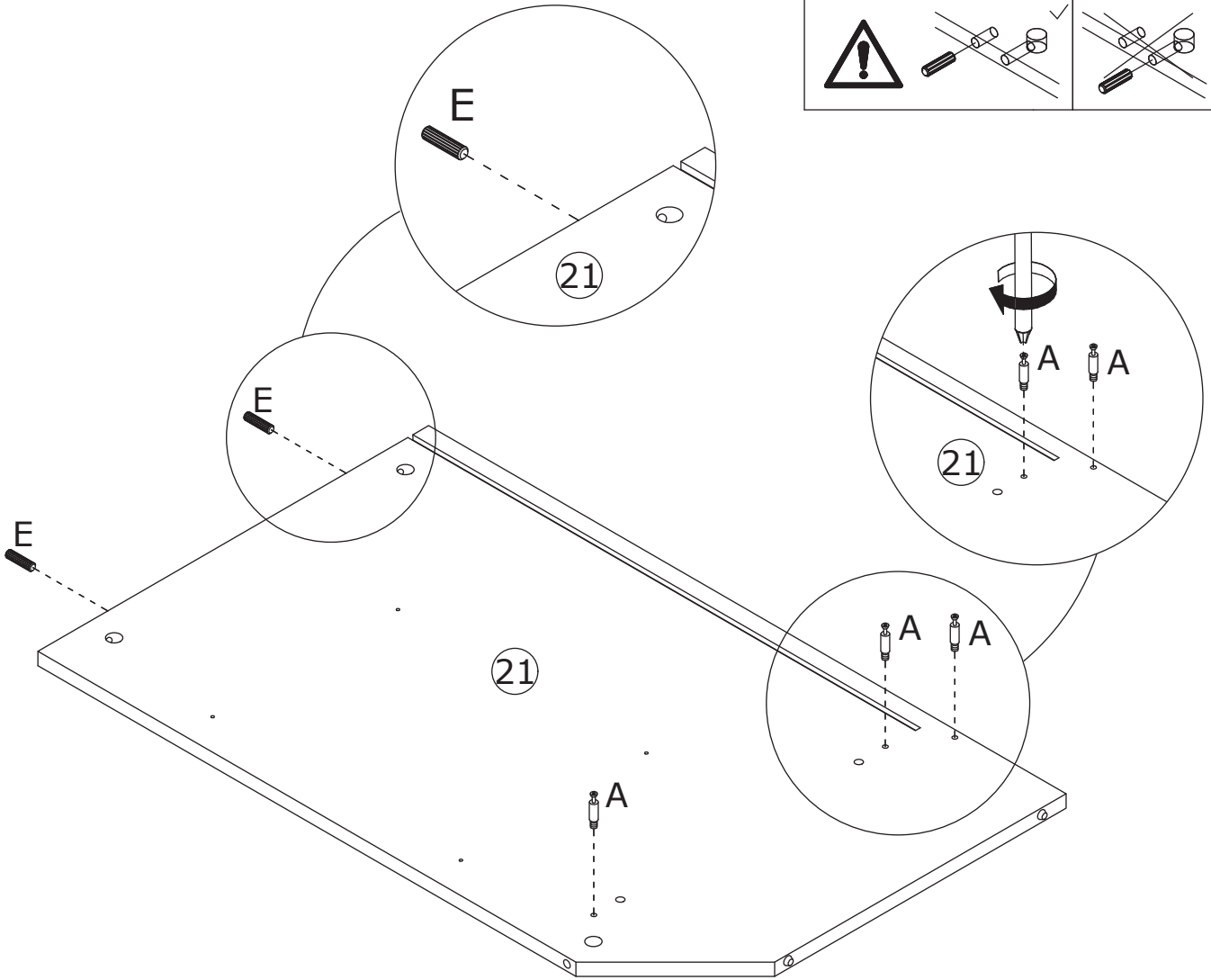
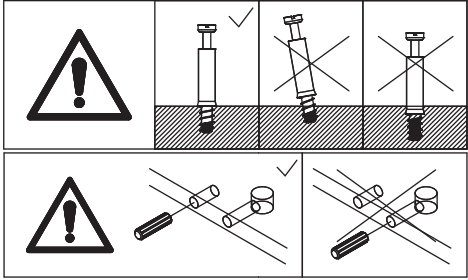
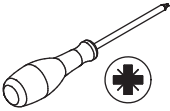
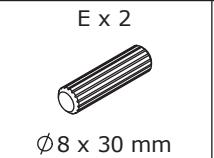
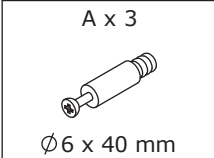
B x 2
Ø15 x 12 mm



Connect part 20 to part 4, then tighten by turning cam lock (B) clockwise.



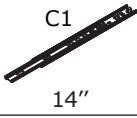
25



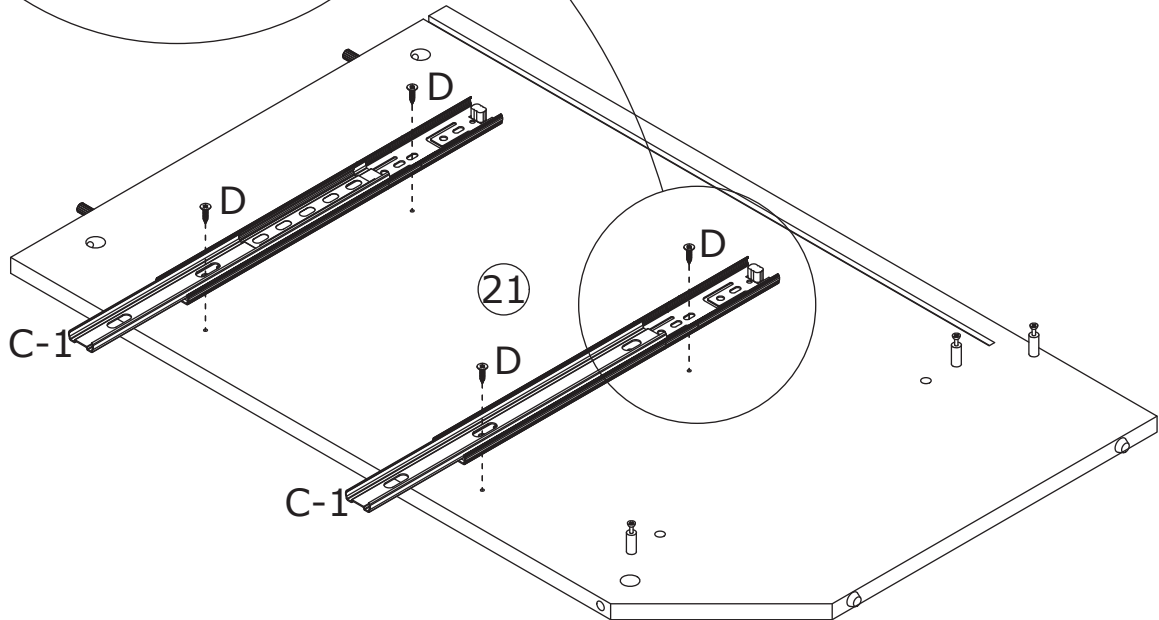
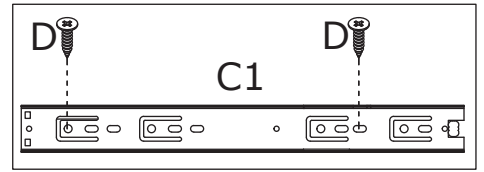
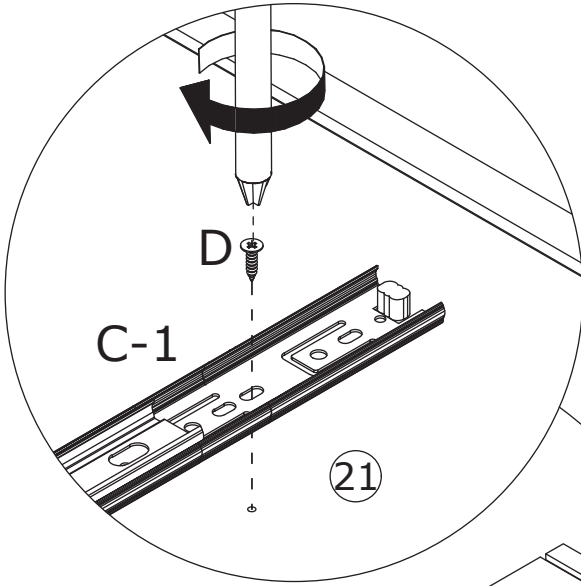
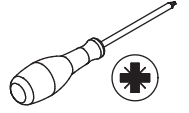
Screw eccentric rod (A) and insert wooden dowel (E) to part 21.

26

C x 2



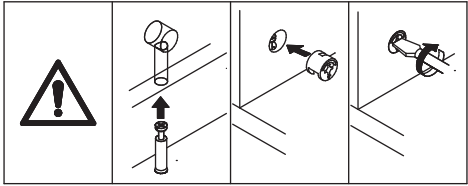
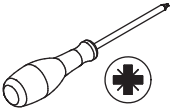
D x 4



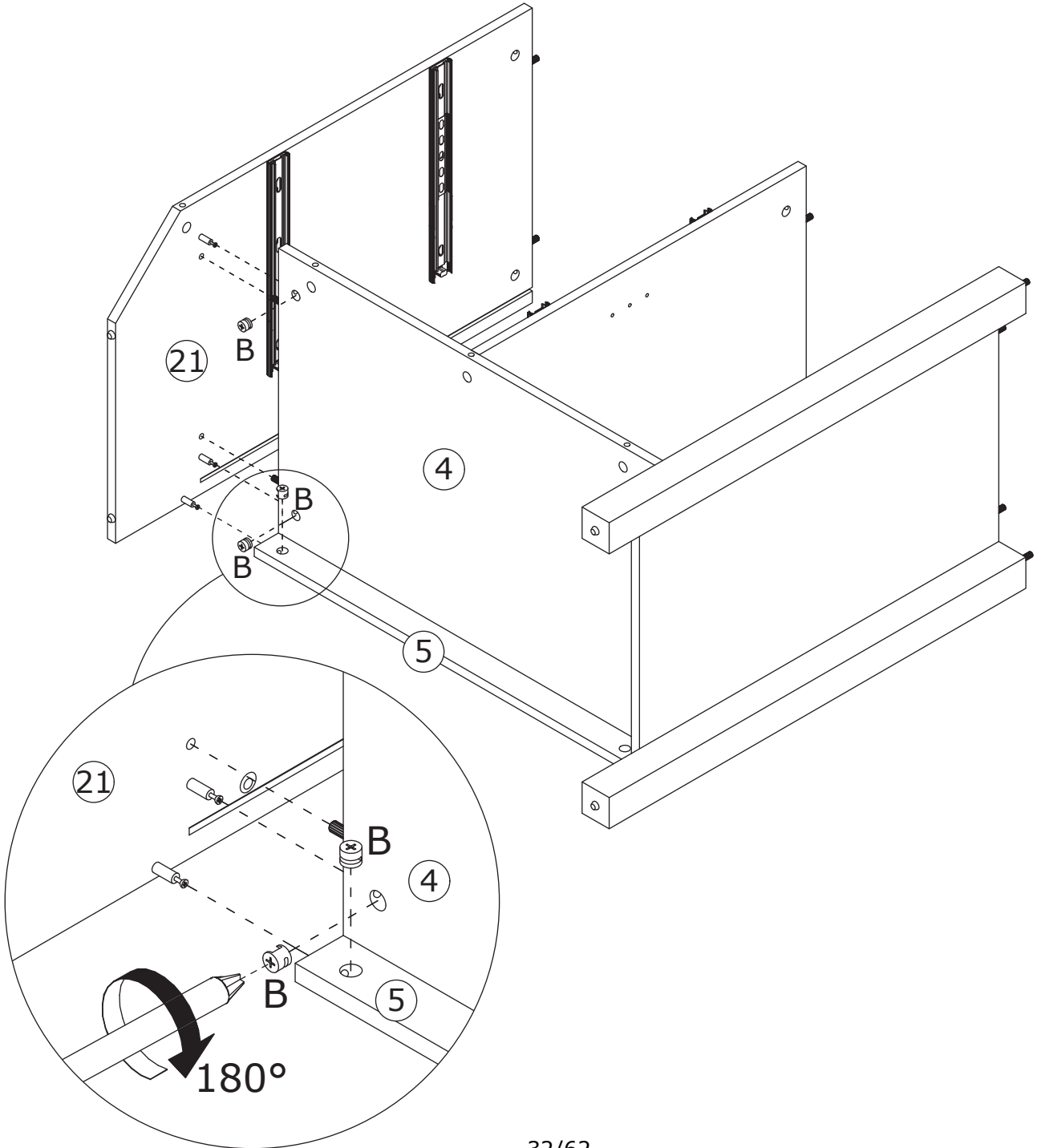
Secure slide rail (C-1) to part 21 using screw (D).

27

B x 3
Ø15 x 12 mm

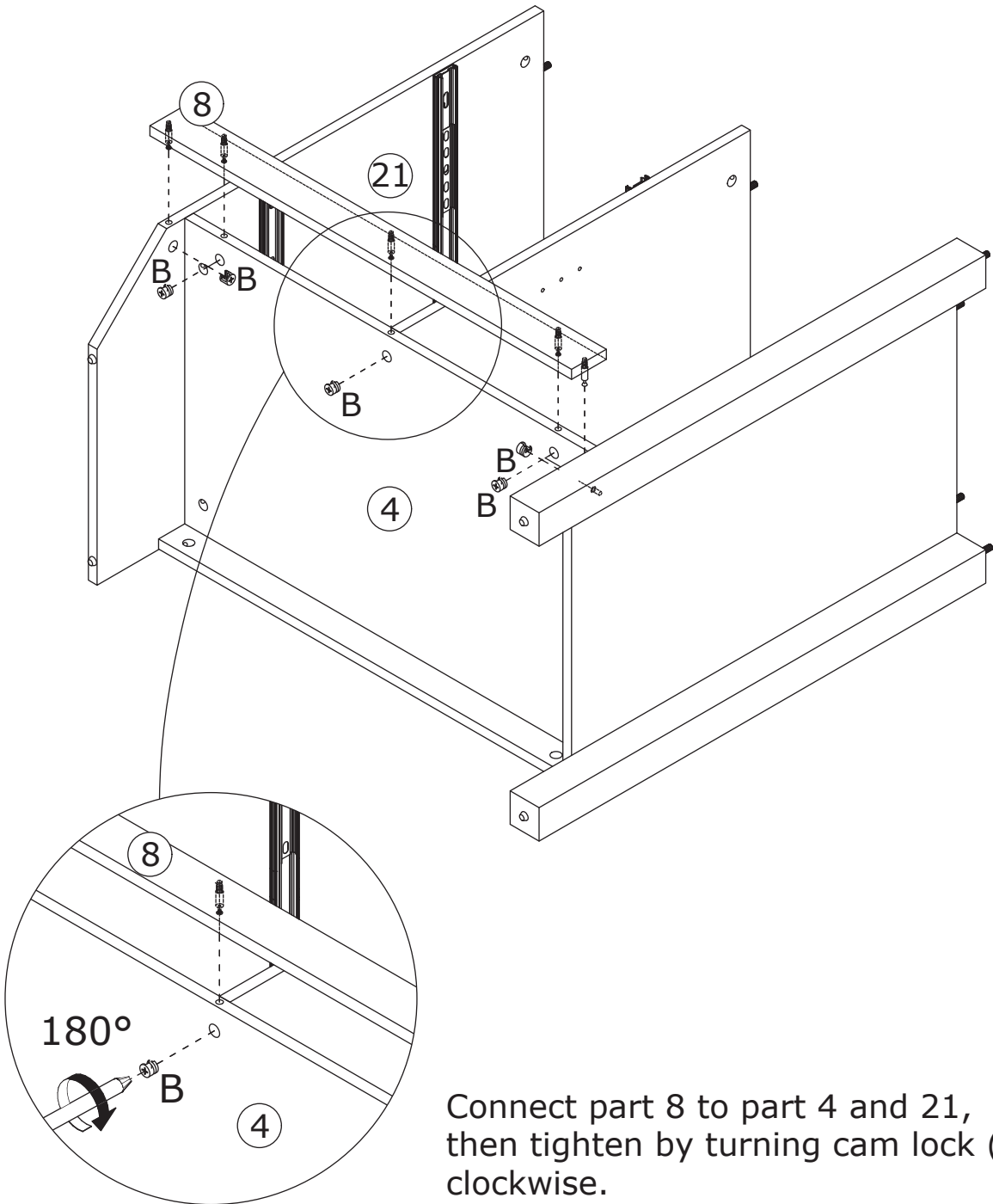
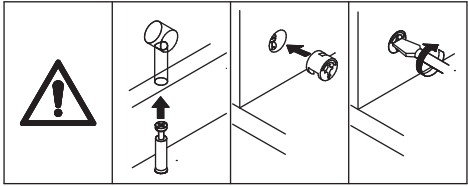
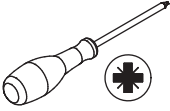


Connect part 4 and 5 to part 21, then tighten by turning cam lock (B) clockwise.



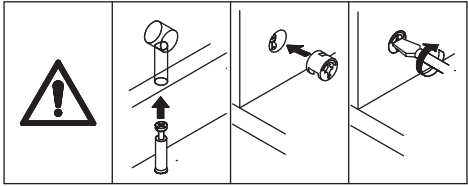
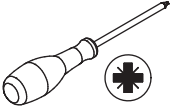
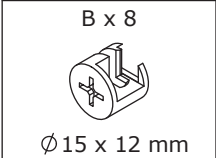
28

B x 5
Ø15 x 12 mm

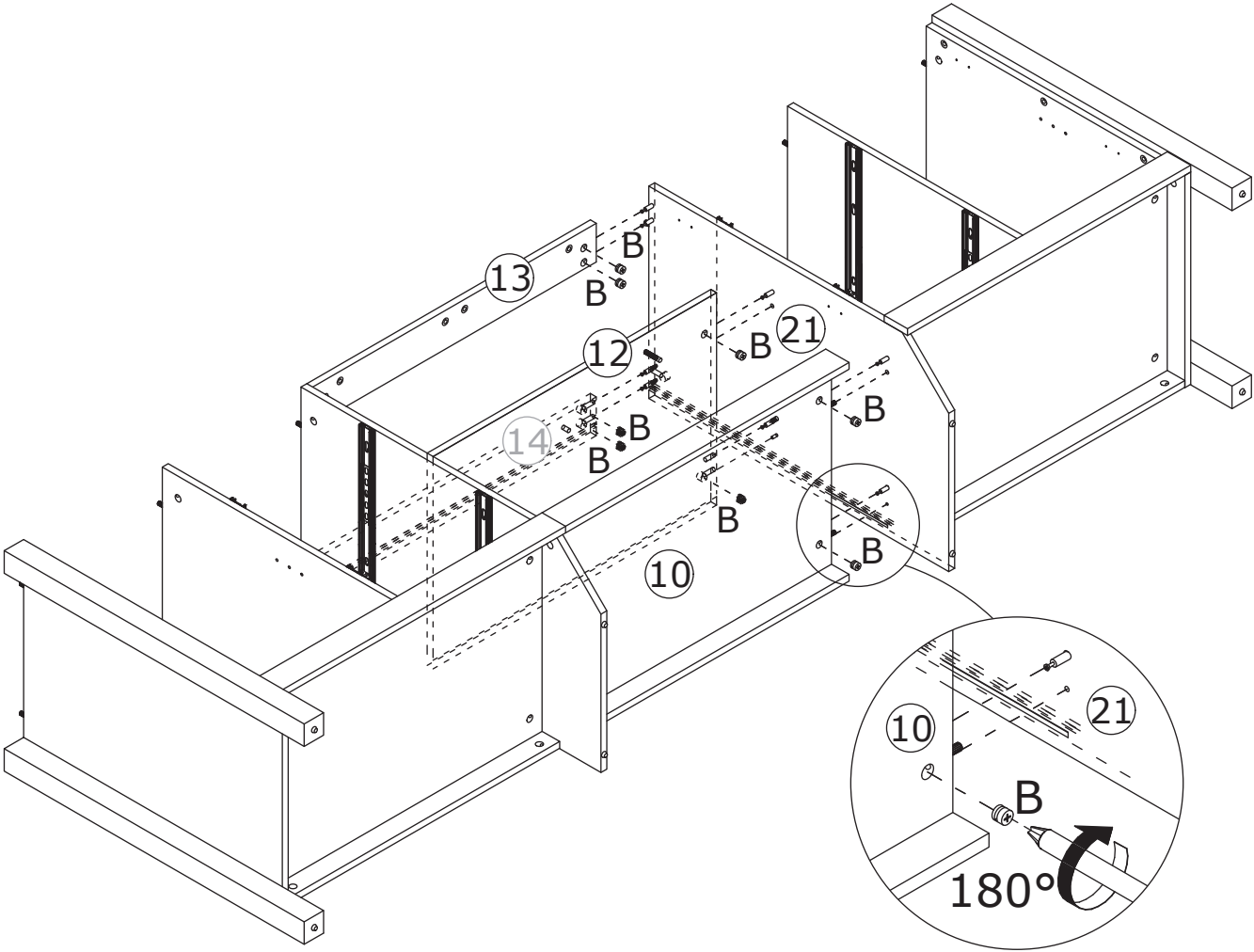


Connect part 8 to part 4 and 21, then tighten by turning cam lock (B) clockwise.

30

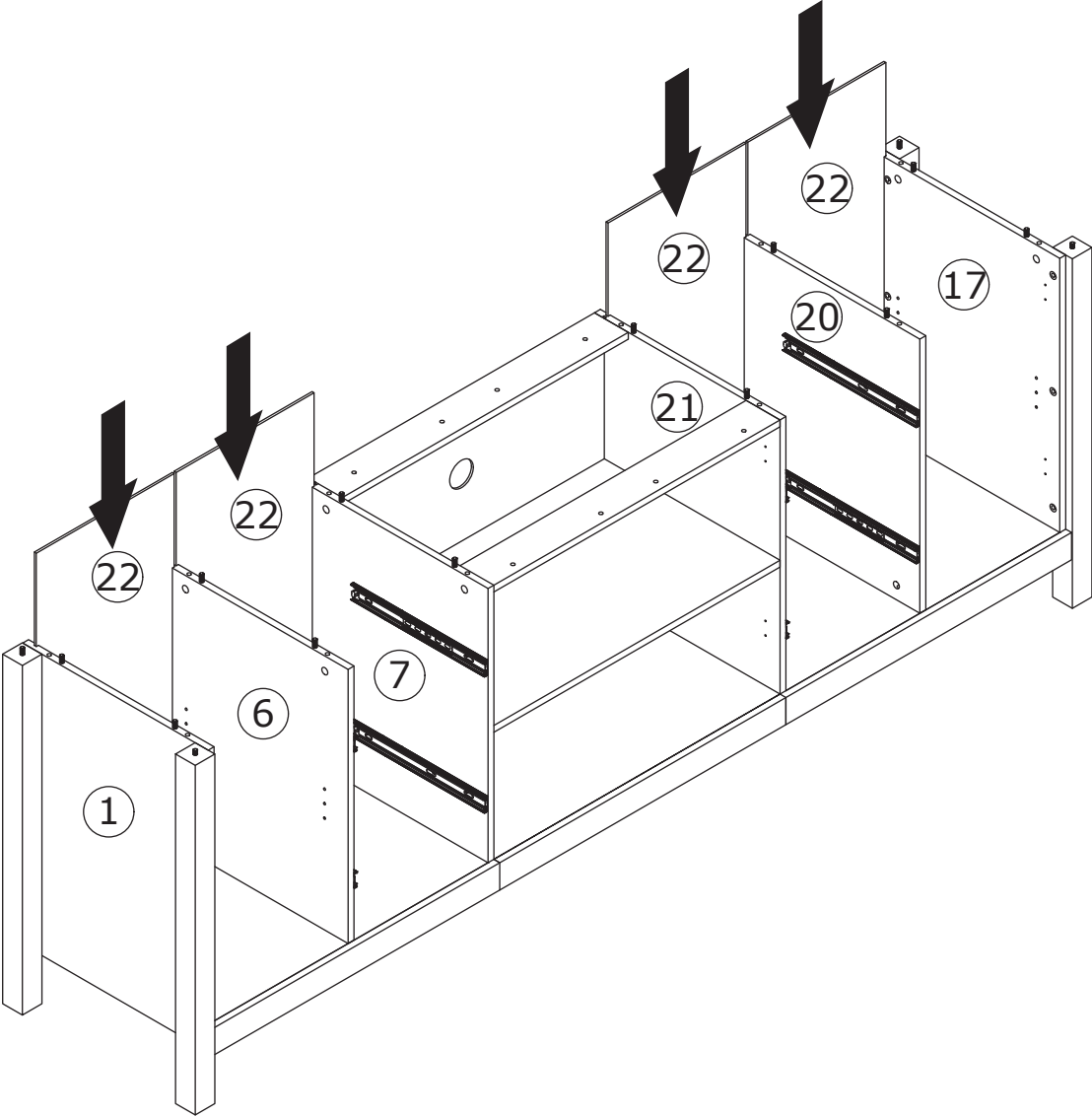


Connect part 10, 12, 13 and 14 to part 21, then tighten by turning cam lock (B) clockwise.



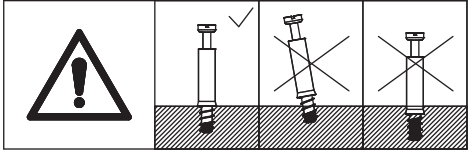
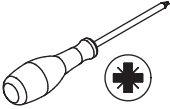
31

Insert part 22 along the available grooves.

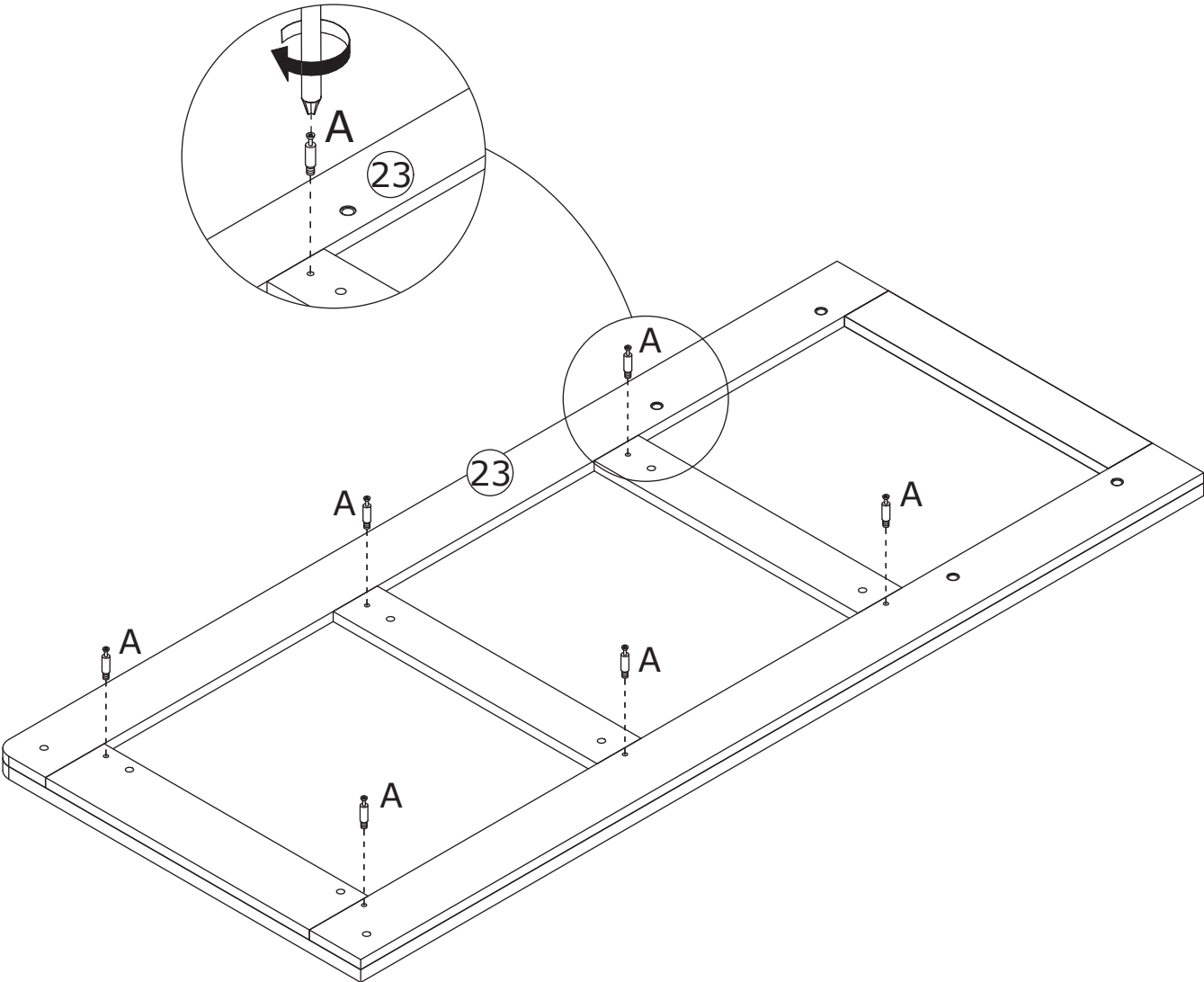


32

A x 6
Ø6 x 40 mm

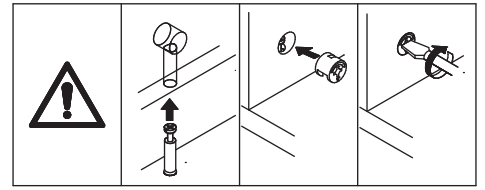
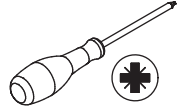


Screw eccentric rod (A) onto part 23.

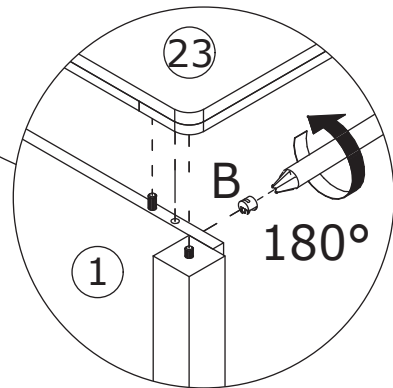
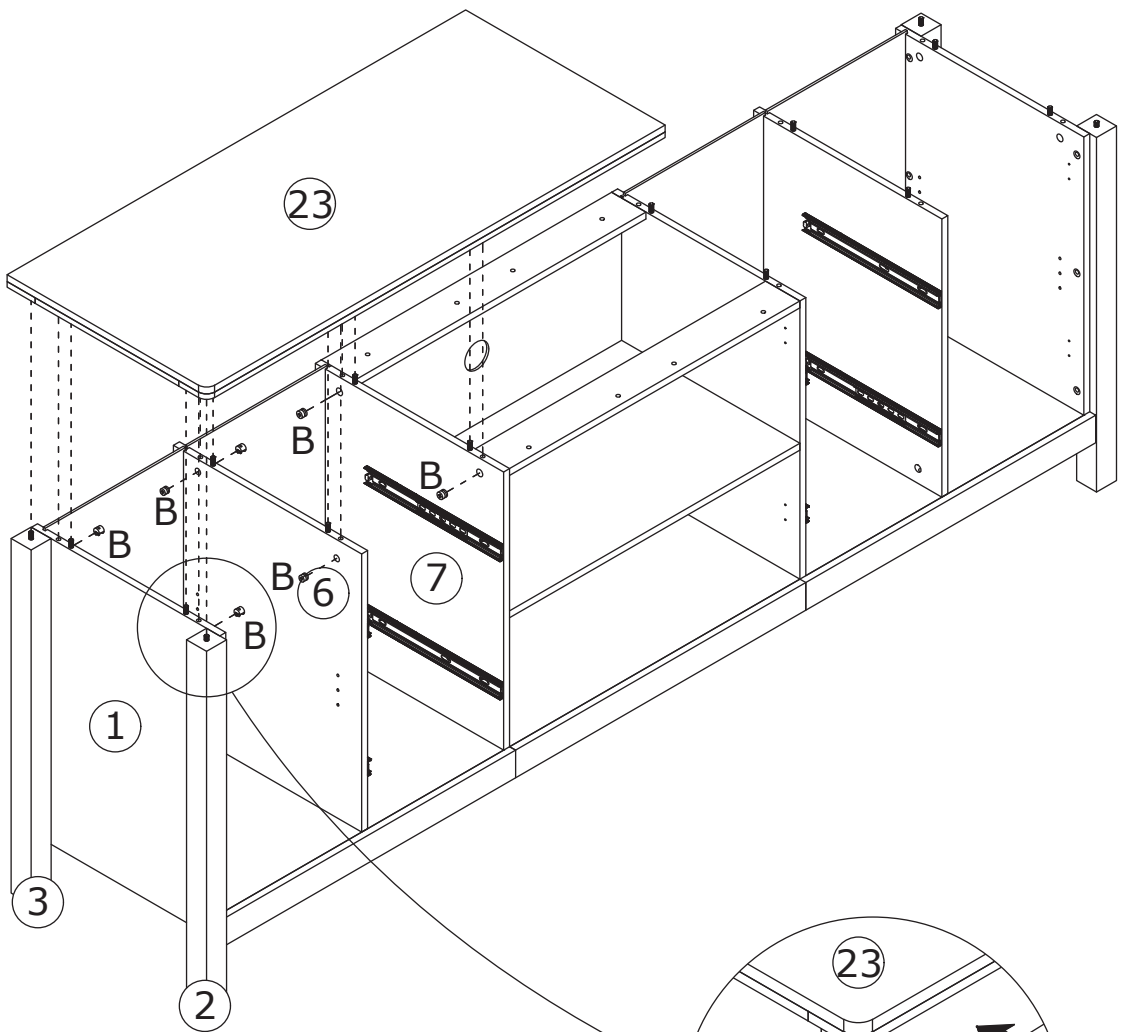


33

B x 6
Ø15 x 12 mm

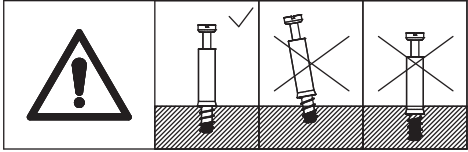
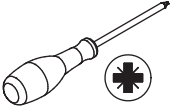


Connect part 23 to the assembly unit, then tighten by turning cam lock (B) clockwise.

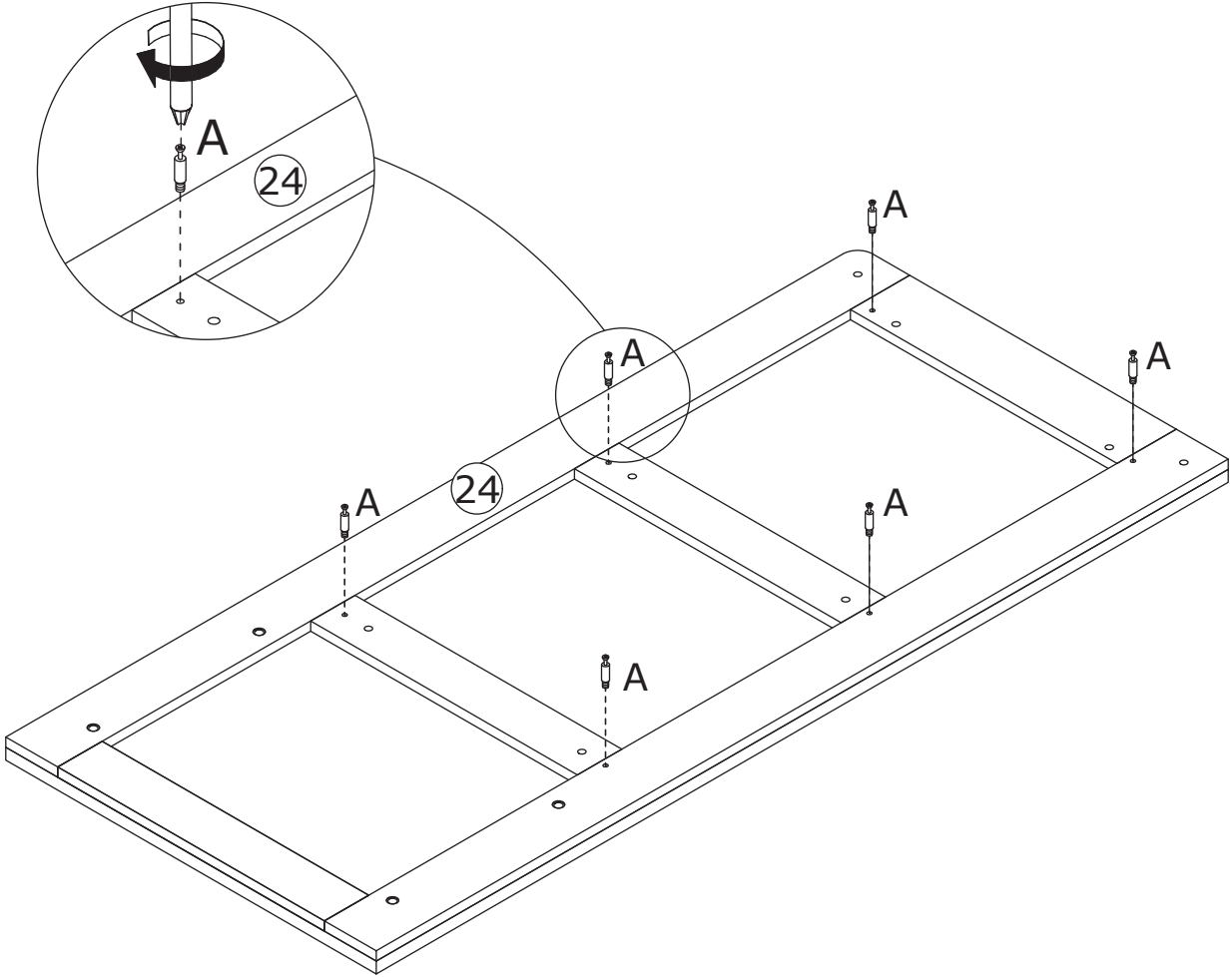


34

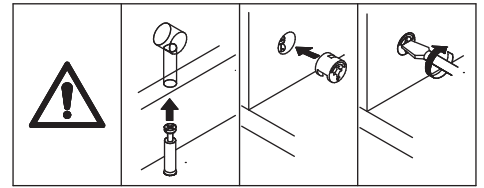
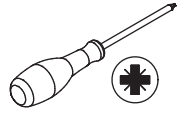
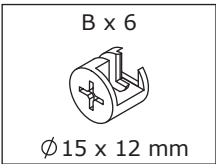
A x 6
Ø6 x 40 mm



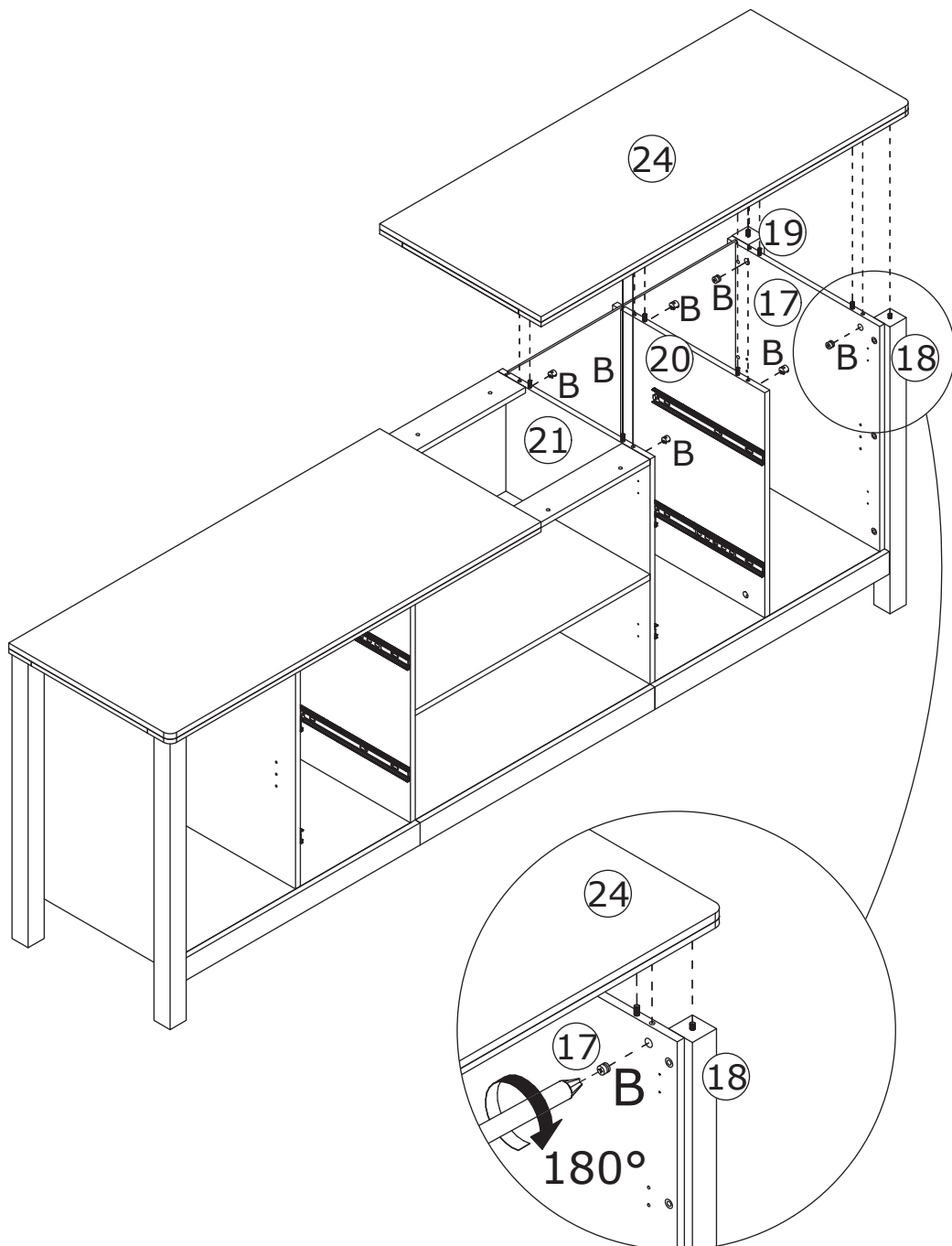
Screw eccentric rod (A) onto part 24.



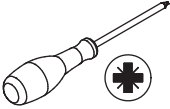
35



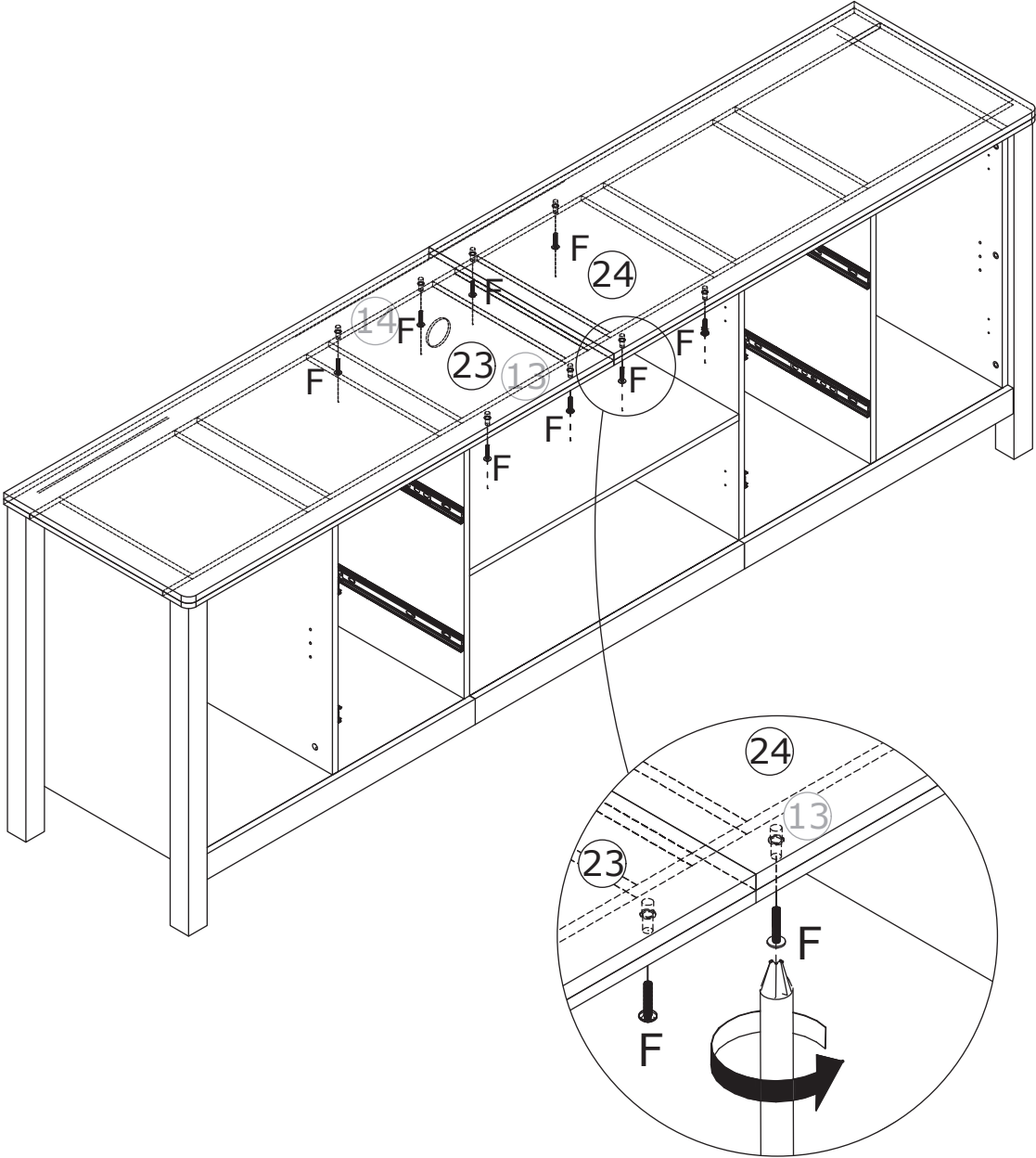
Connect part 24 to the assembly unit, then tighten by turning cam lock (B) clockwise.



36



Secure part 13 and 14 to part 23 and 24 using screw (F).

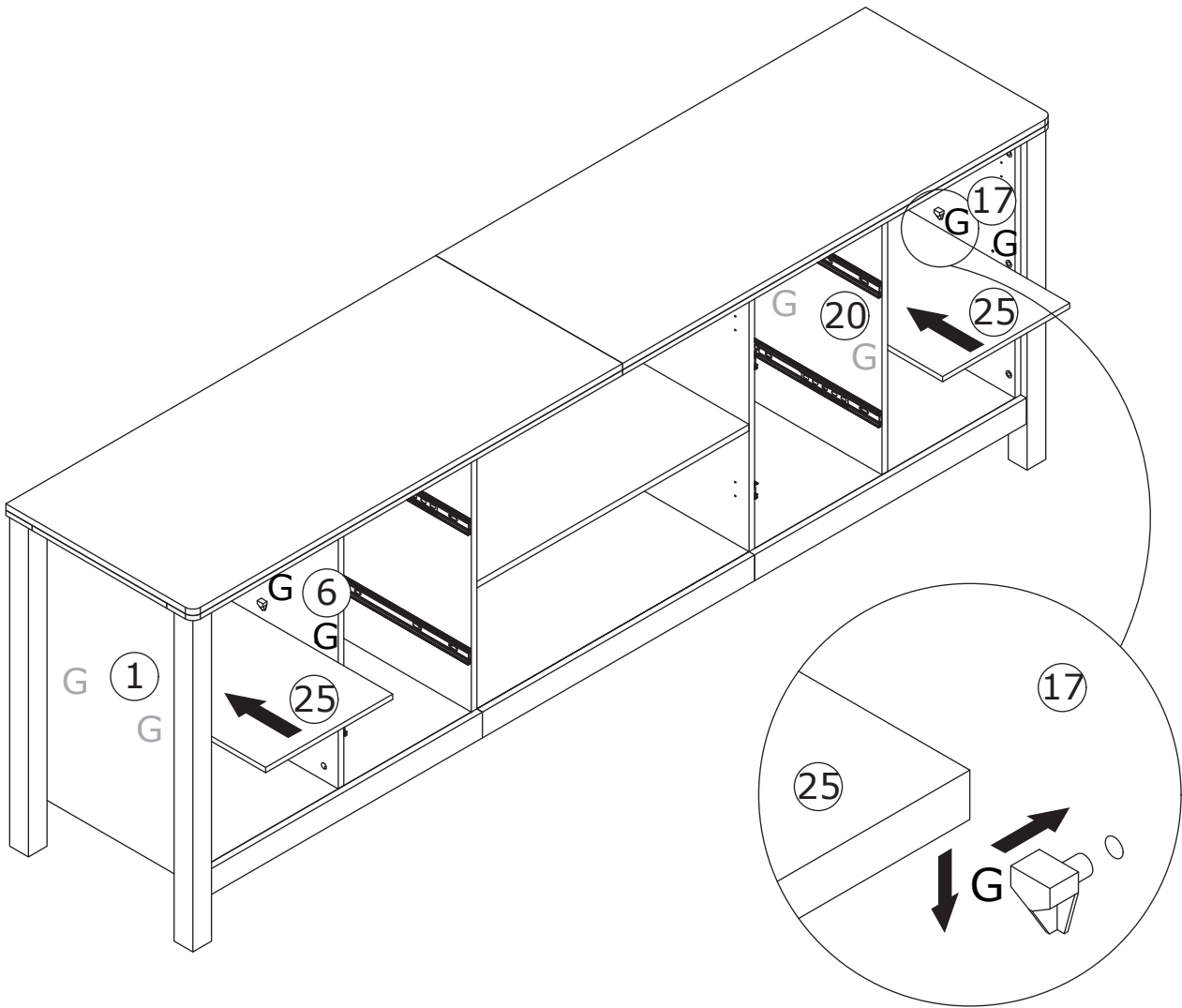


37

G x 8

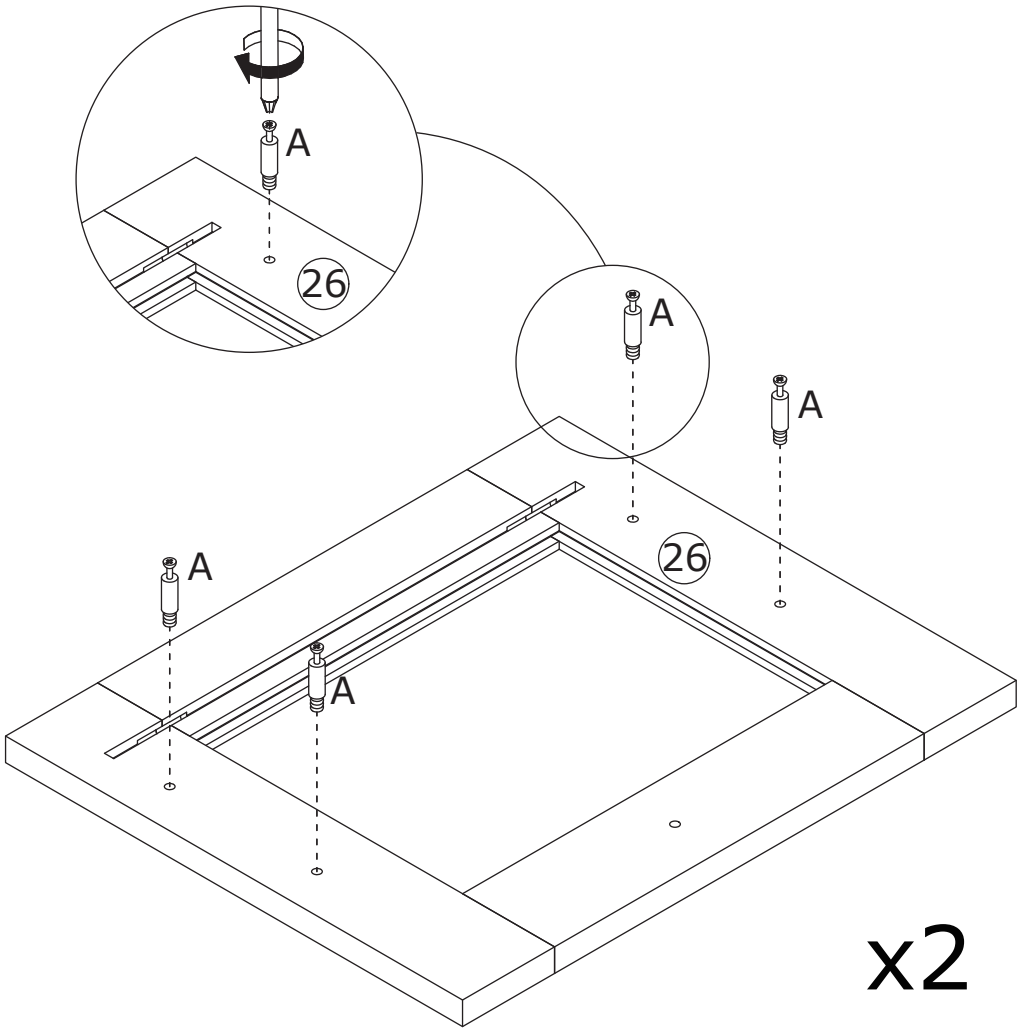
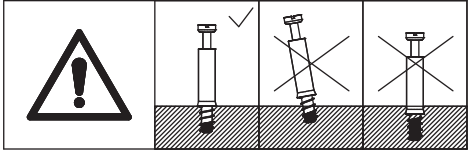
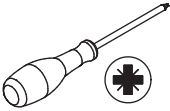


Insert pin (G) to part 1, 6, 17, and 21.
Then place part 25 on top of pins.



38

A x 8
Ø6 x 40 mm



x2

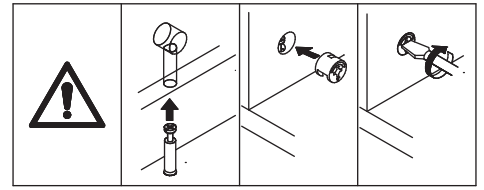
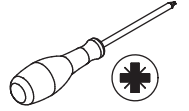
Screw eccentric rod (A) onto part 26.

39

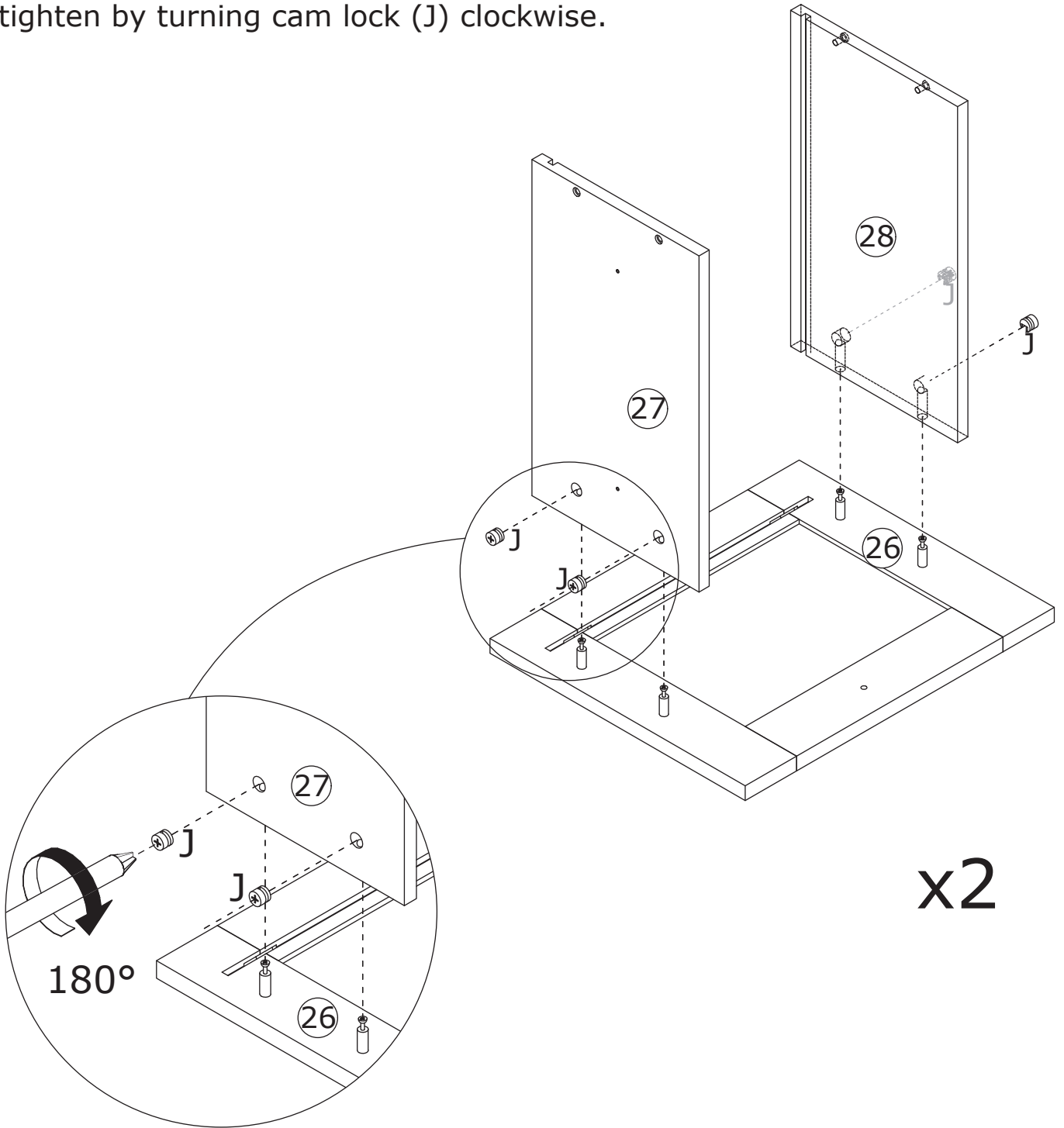
J x 8



Ø12 x 10 mm

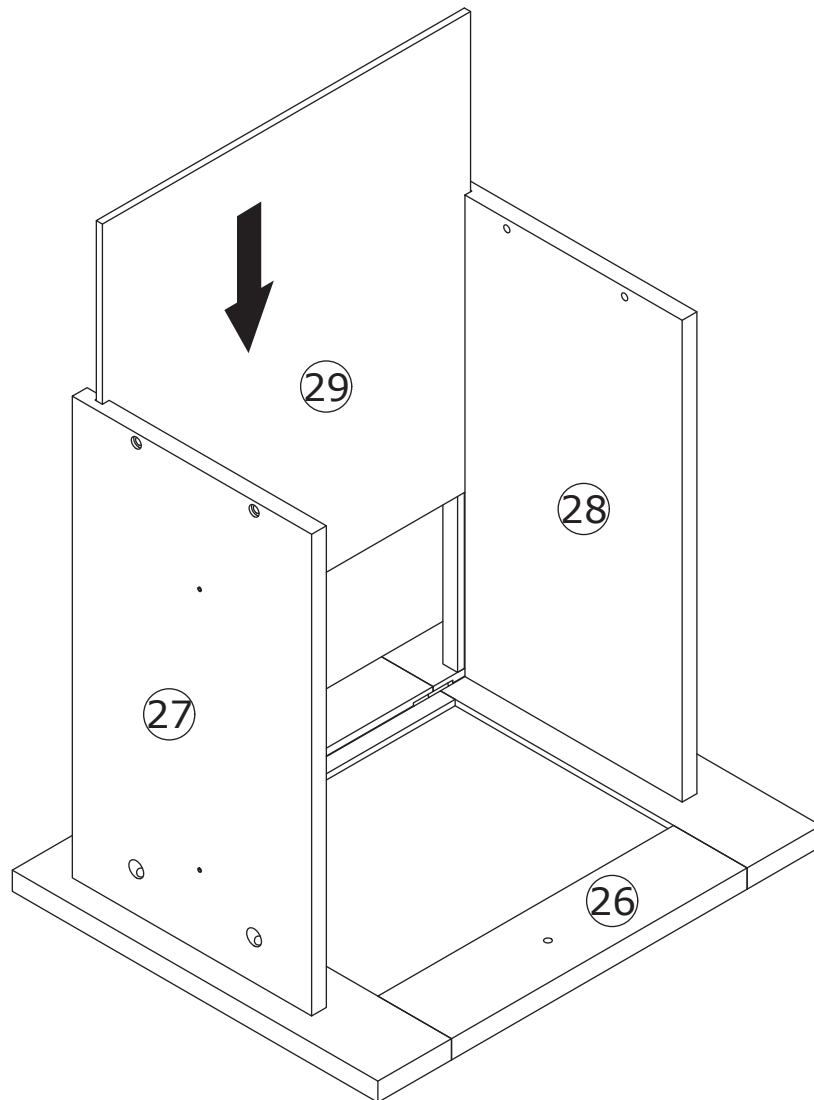


Connect part 27 and 28 to part 26, then tighten by turning cam lock (J) clockwise.



40

Insert part 29 along the available grooves.



41

K x 8

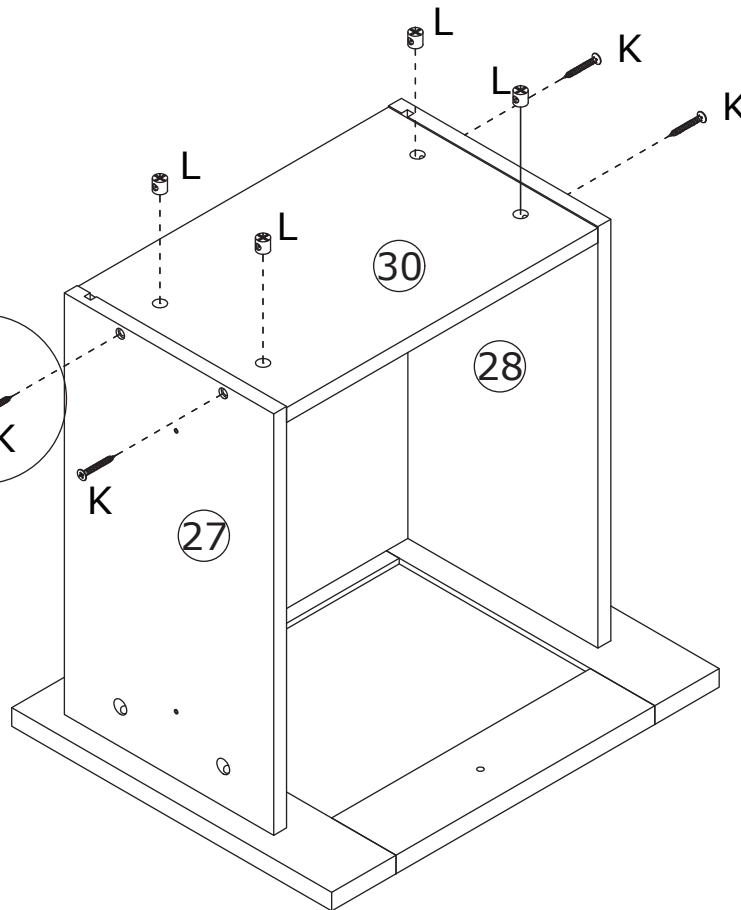
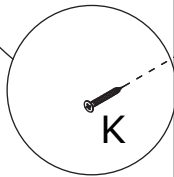
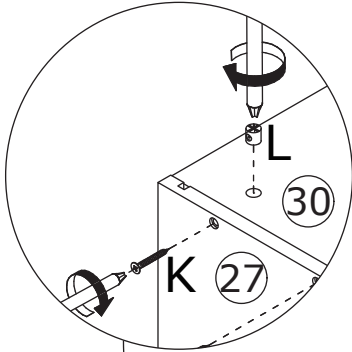
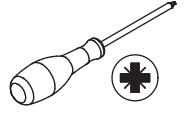


Ø4 x 40 mm

L x 8







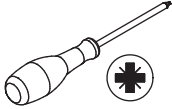
Ø10 x 9.5 mm

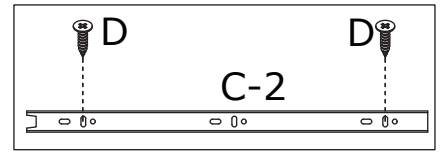


x2

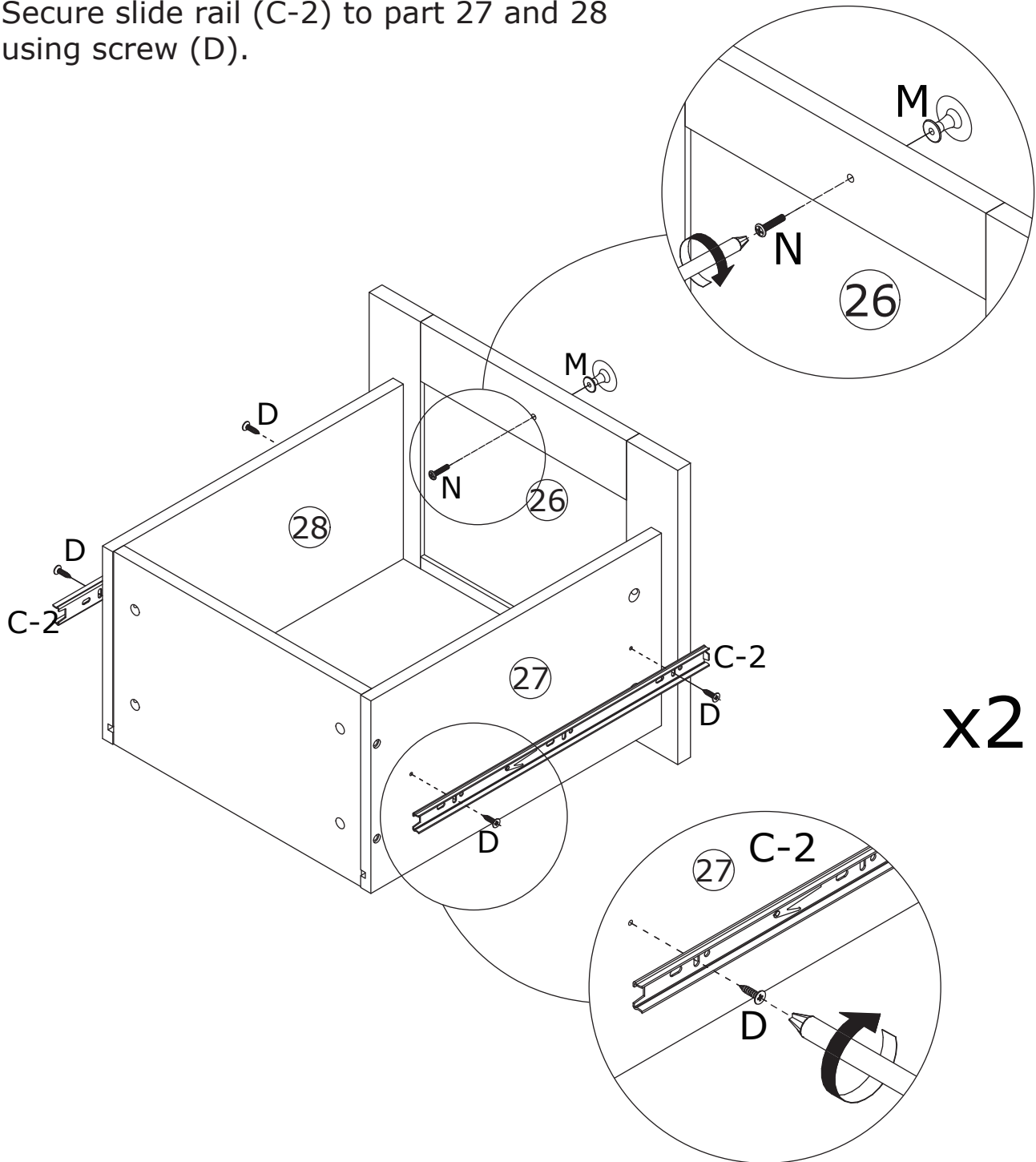
Put nut (L) into part 30 first.
Secure part 30 to part 27 and 28 using screw (K).

42

C x 4 14" 	D x 8 $\varnothing 3.5 \times 12 \text{ mm}$ 	M x 2 	N x 2 $\varnothing 4 \times 18 \text{ mm}$ 	
---	--	--	---	---

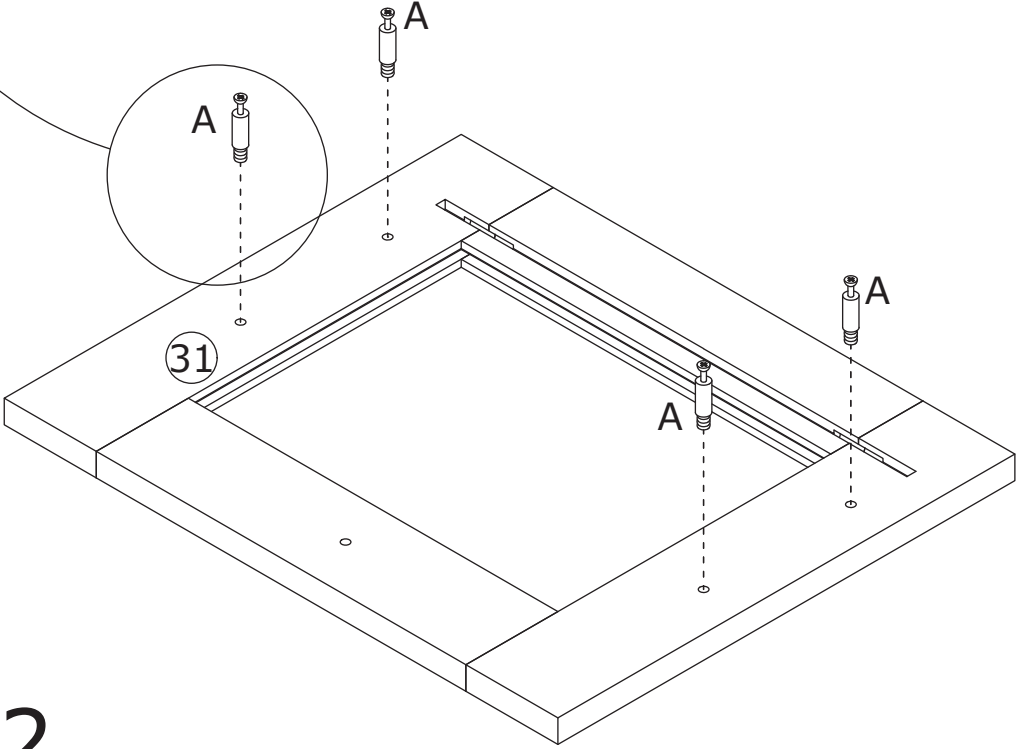
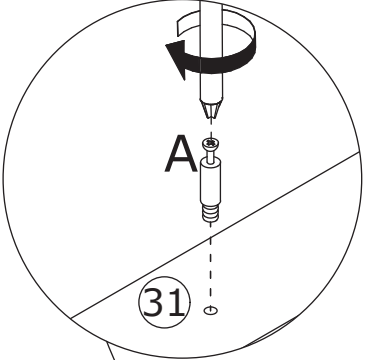
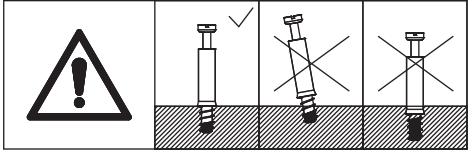
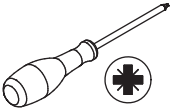


Secure knob (M) to part 26 using screw (K).
Secure slide rail (C-2) to part 27 and 28
using screw (D).



43

A x 8
Ø6 x 40 mm



x2

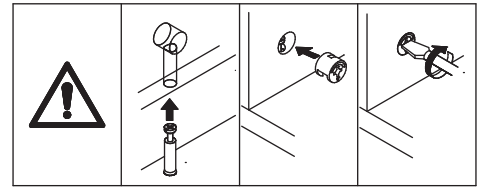
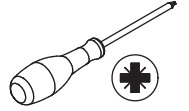
Screw eccentric rod (A) onto part 31.

44

J x 8

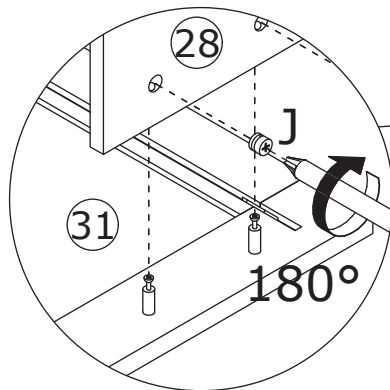
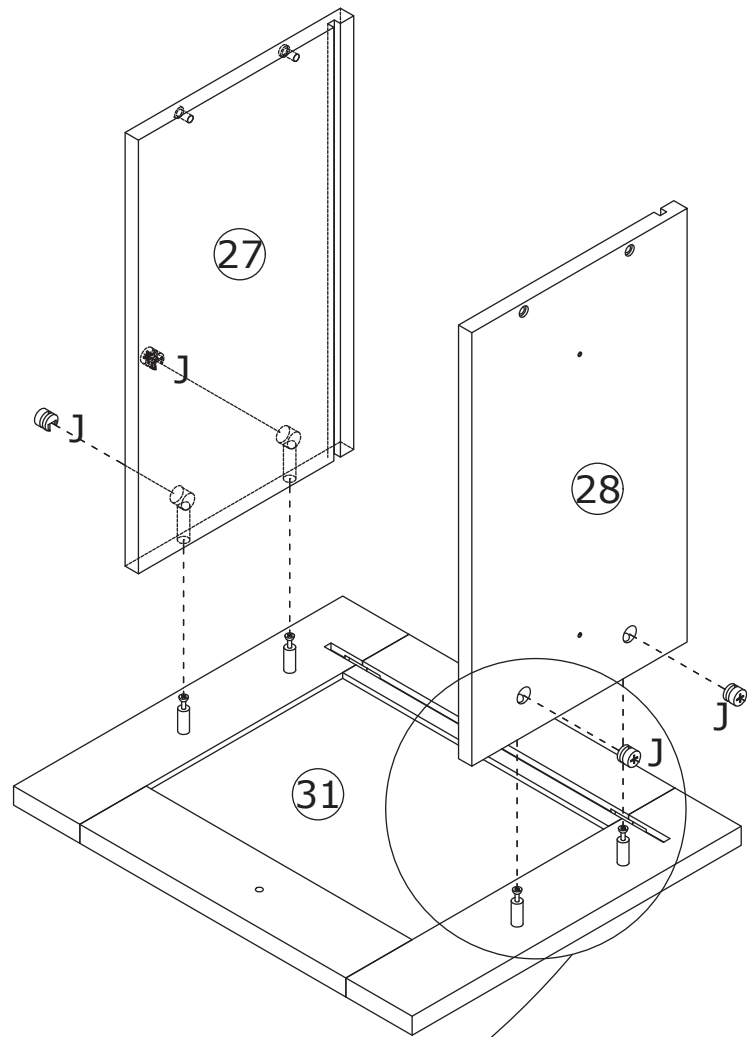


Ø12 x 10 mm



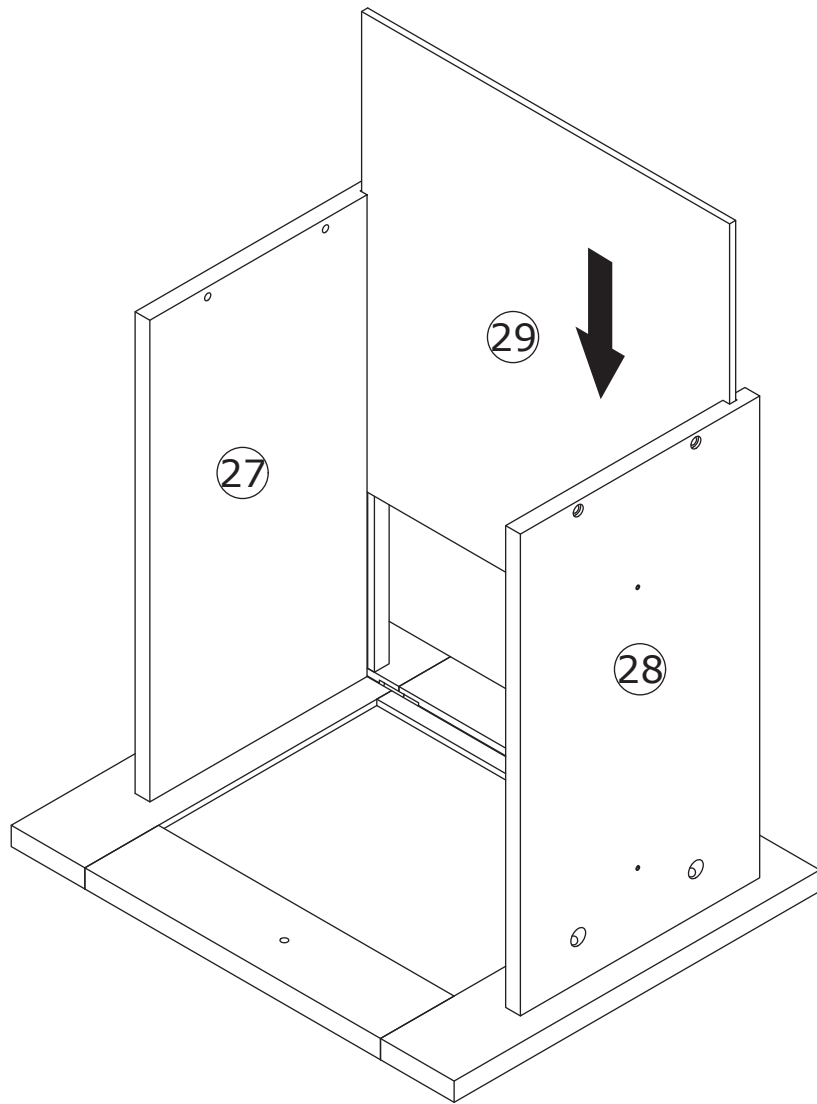
Connect part 27 and 28 to part 31, then tighten by turning cam lock (J) clockwise.

x2

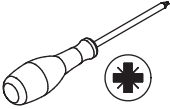
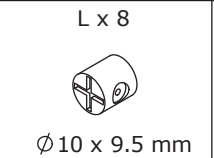
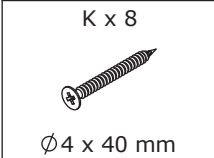


45

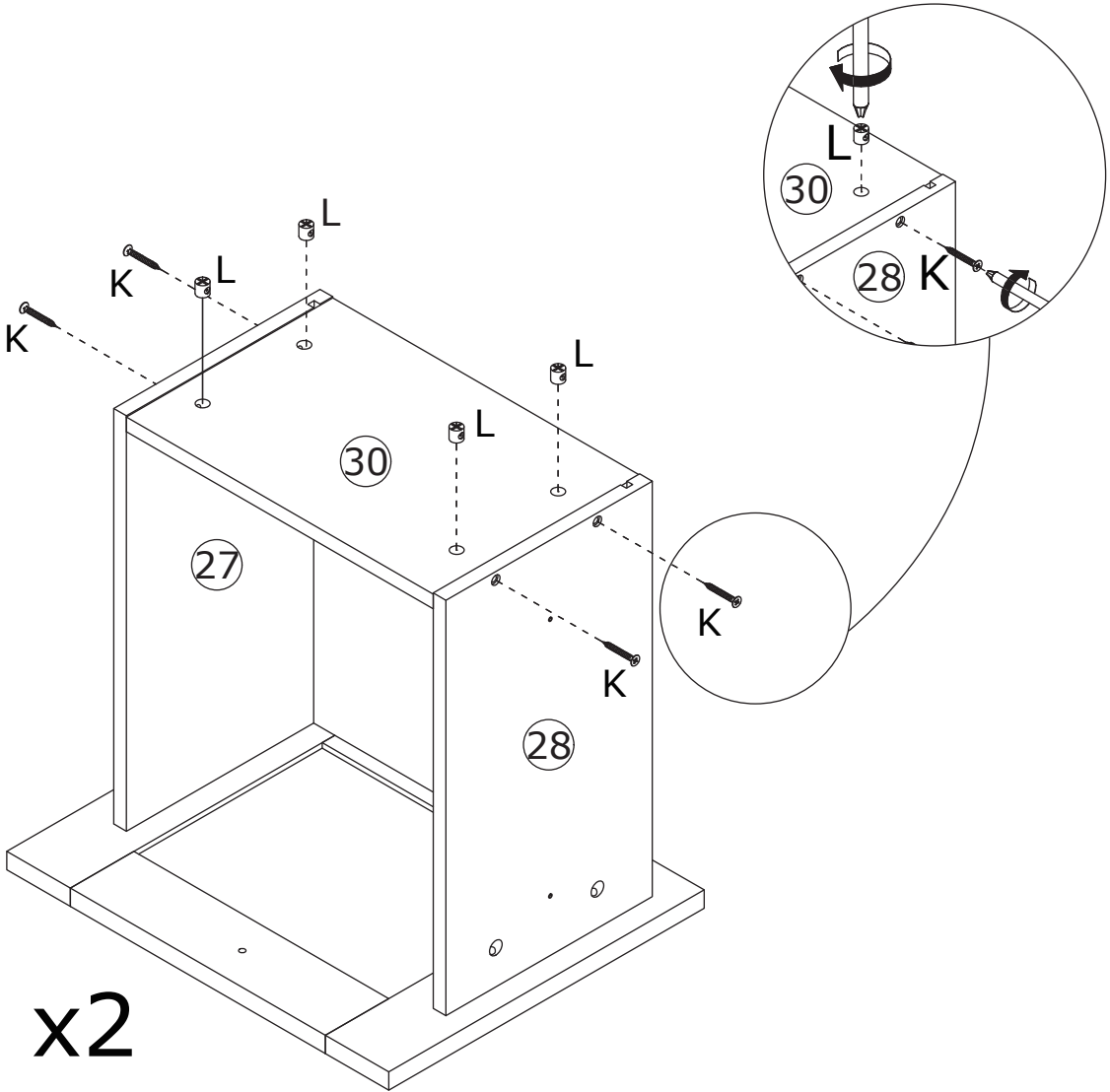
Insert part 29 along the available grooves.



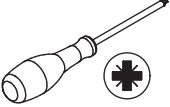
46

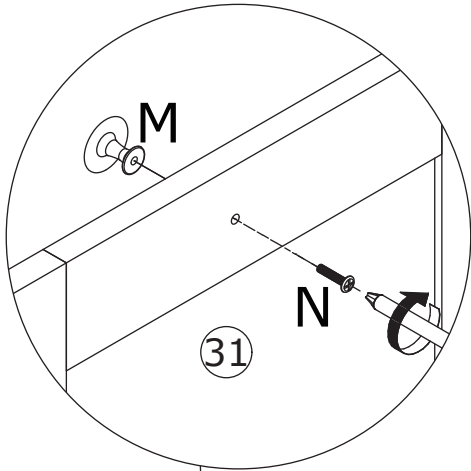


Put nut (L) into part 30 first.
Secure part 30 to part 27 and 28 using screw (K).



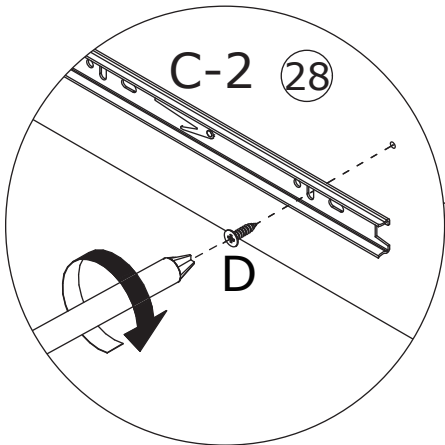
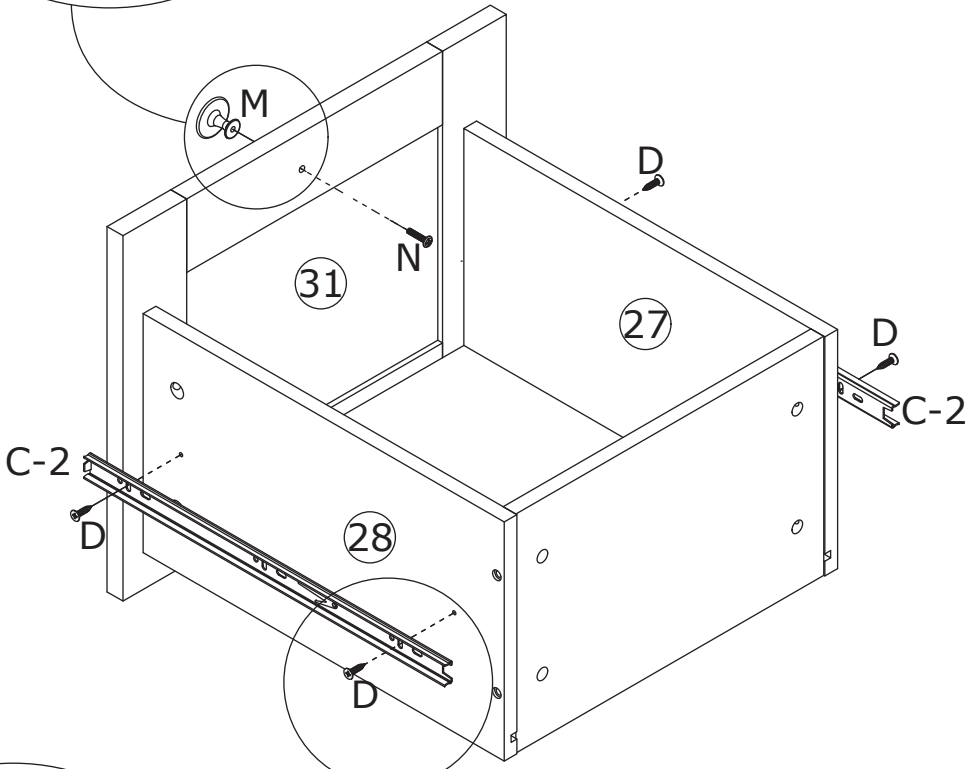
47

C x 4 14" C2	D x 8 Ø 3.5 x 12 mm	M x 2 Ø 3.5 x 14 mm	N x 2 Ø 4 x 18 mm	
--------------------	------------------------	------------------------	----------------------	---



Secure knob (M) to part 31 using screw (K).

Secure slide rail (C-2) to part 27 and 28 using screw (D).

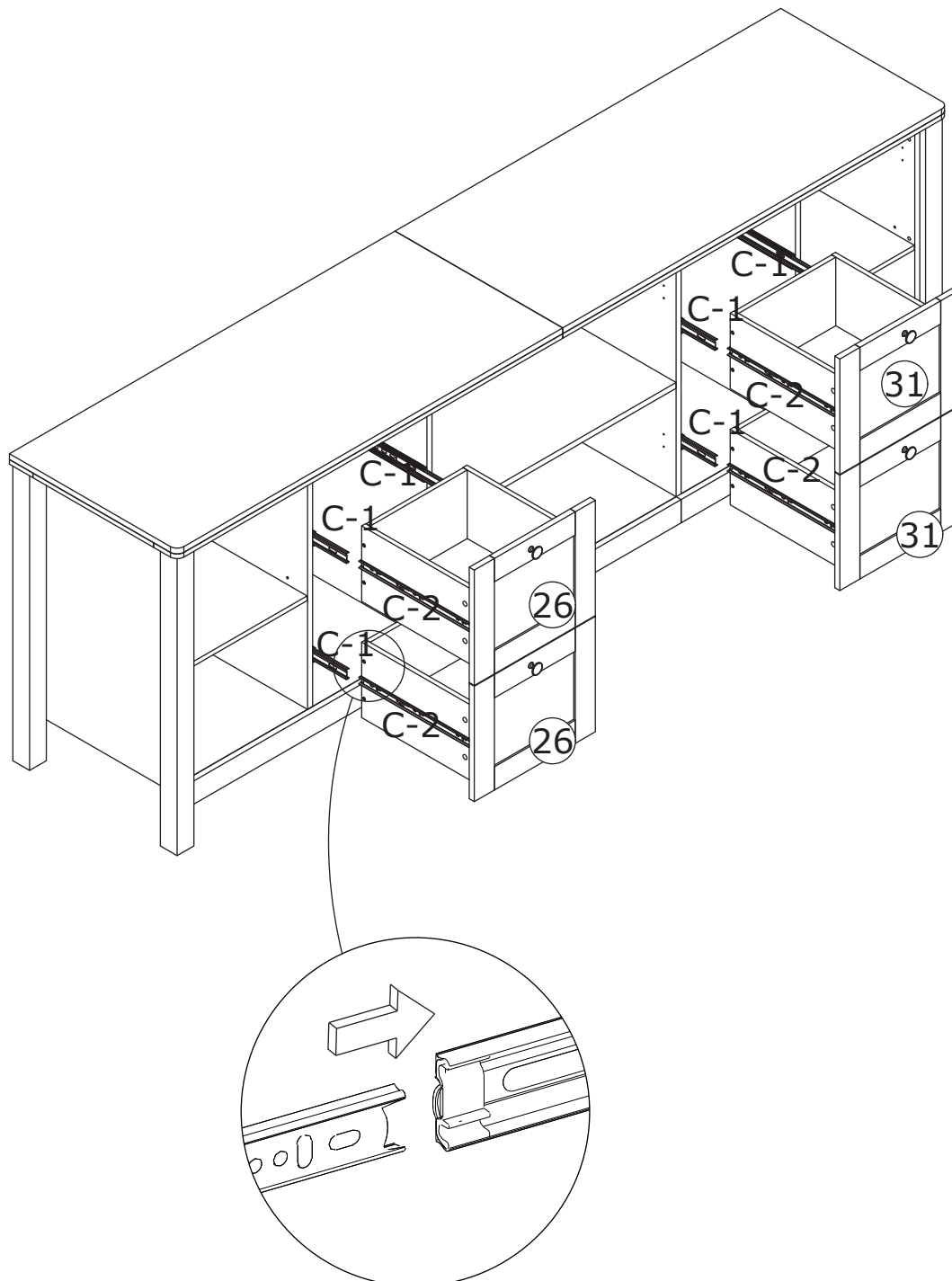


x2

48

Pull out the sliding rail C-1, align it with C-2, and then slowly push the drawer.

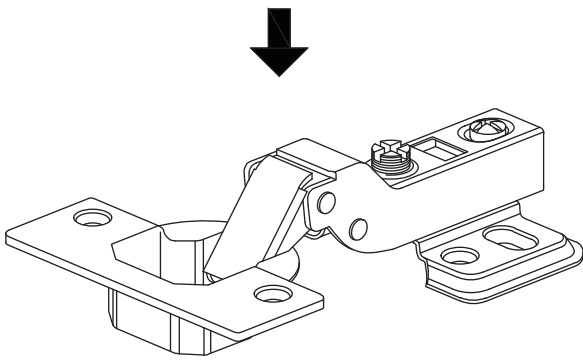
Otherwise, it may cause the steel balls on the slide rail to fall off.



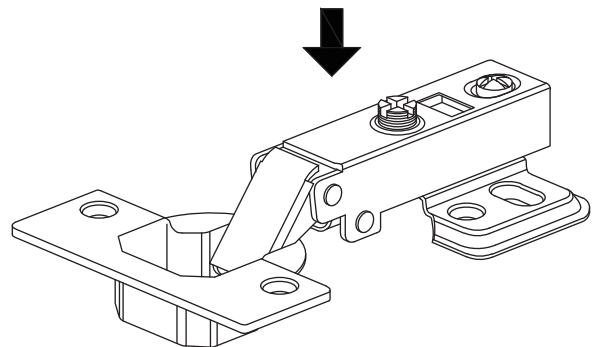
Pay attention to the difference between the middle parts of the two types of door hinges.



- The Butt hinge (U) is used on the outermost door plates.
- And the Offset hinge (P) is used on the middle door plates.

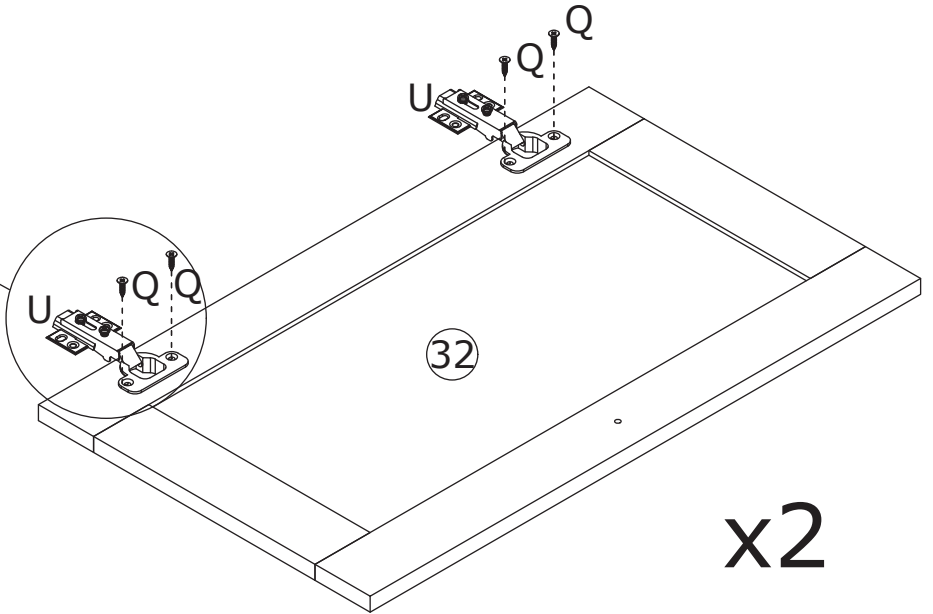
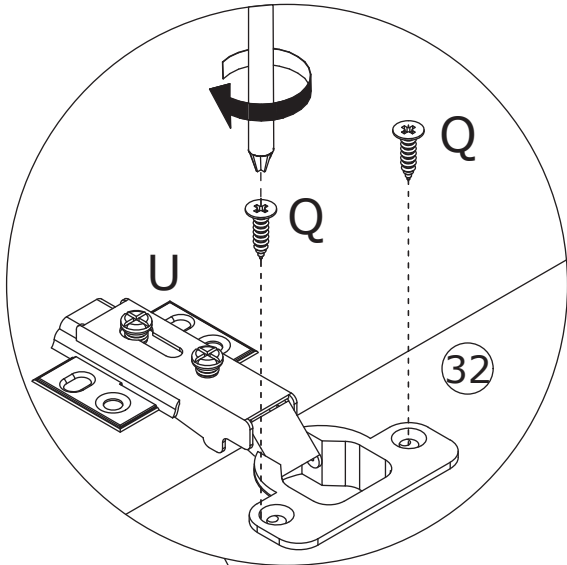
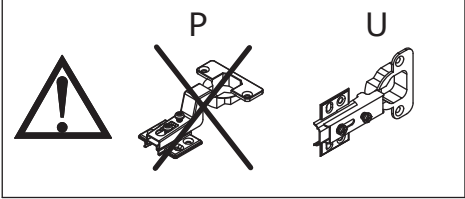
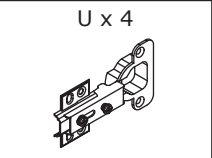
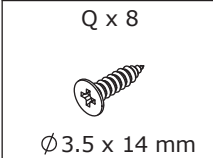


P



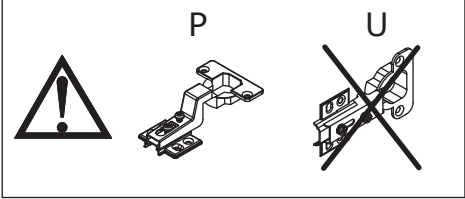
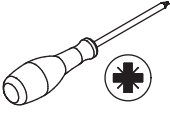
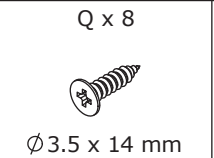
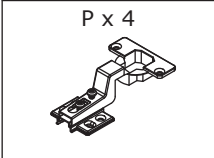
U

50

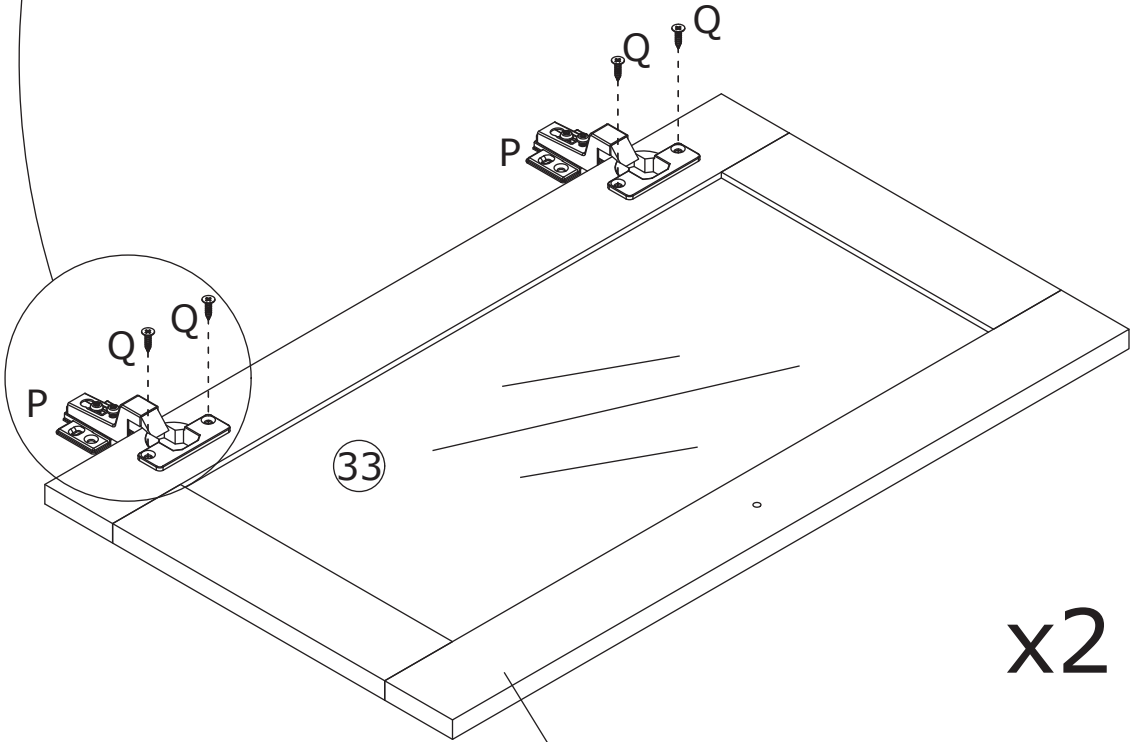
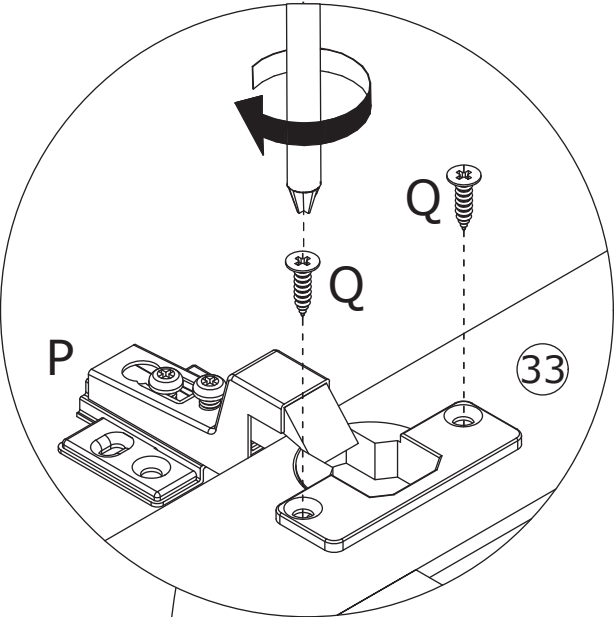


Secure hinge **(U)** to part 32 using screw **(Q)**.

51



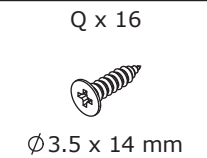
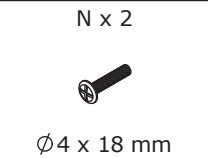
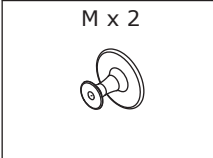
Secure hinge (P) to part 33 using screw (Q).



x2

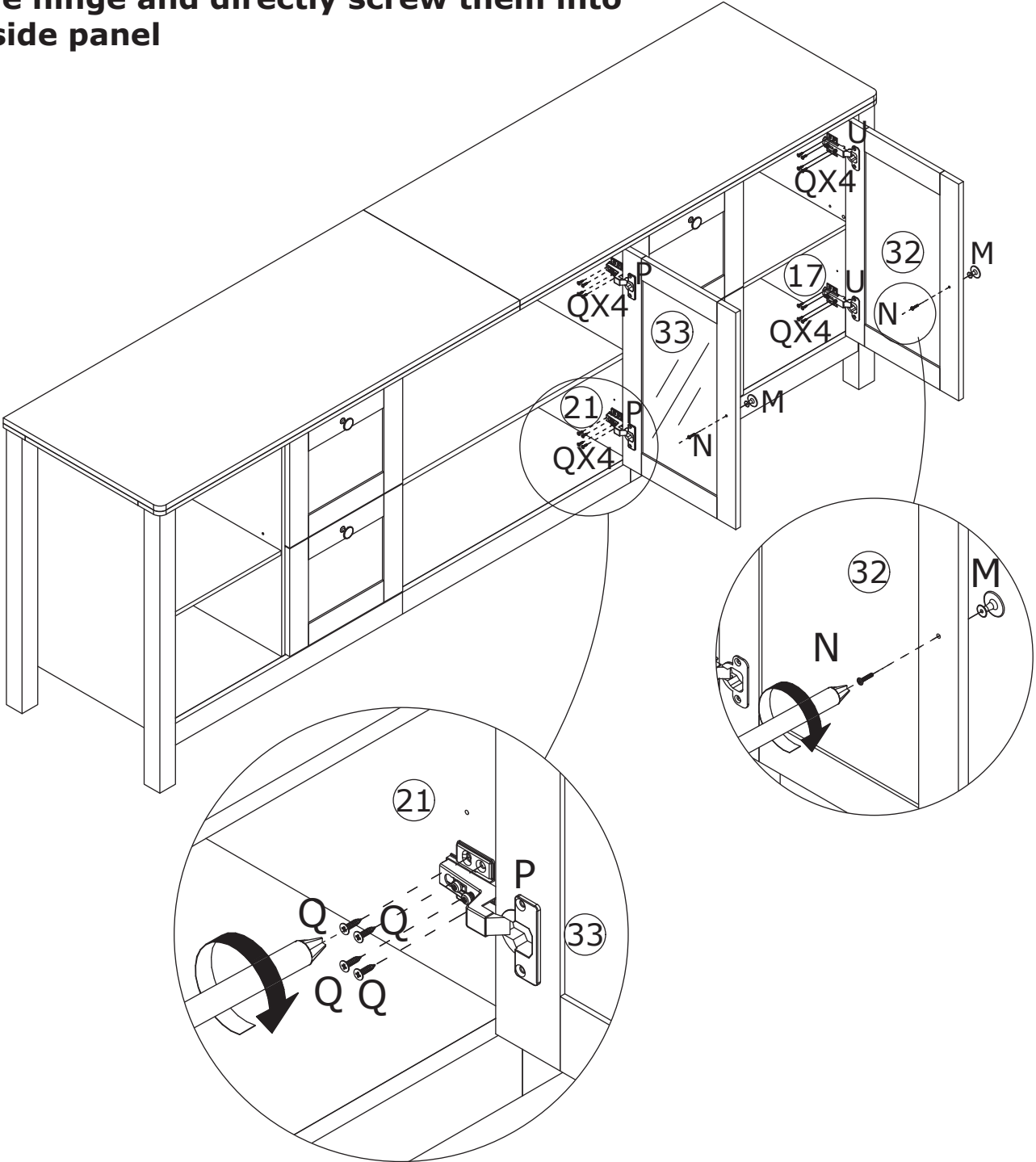
This is a glass door

52

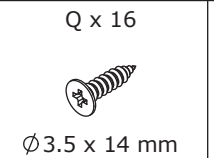
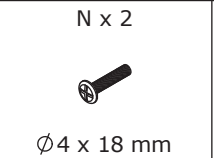
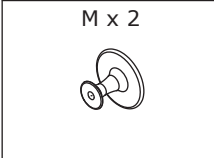


Secure part 33 to part 21 using screw (Q).
Secure part 32 to part 17 using screw (Q).
Secure knob (M) to part 33 and 32 using screw (N).

Note: The side panel has only two holes for fixing the rear part of the hinge. After fixing it in place, adjust the door panel properly. Then, use self-tapping screws to align with the other two holes of the hinge and directly screw them into the side panel



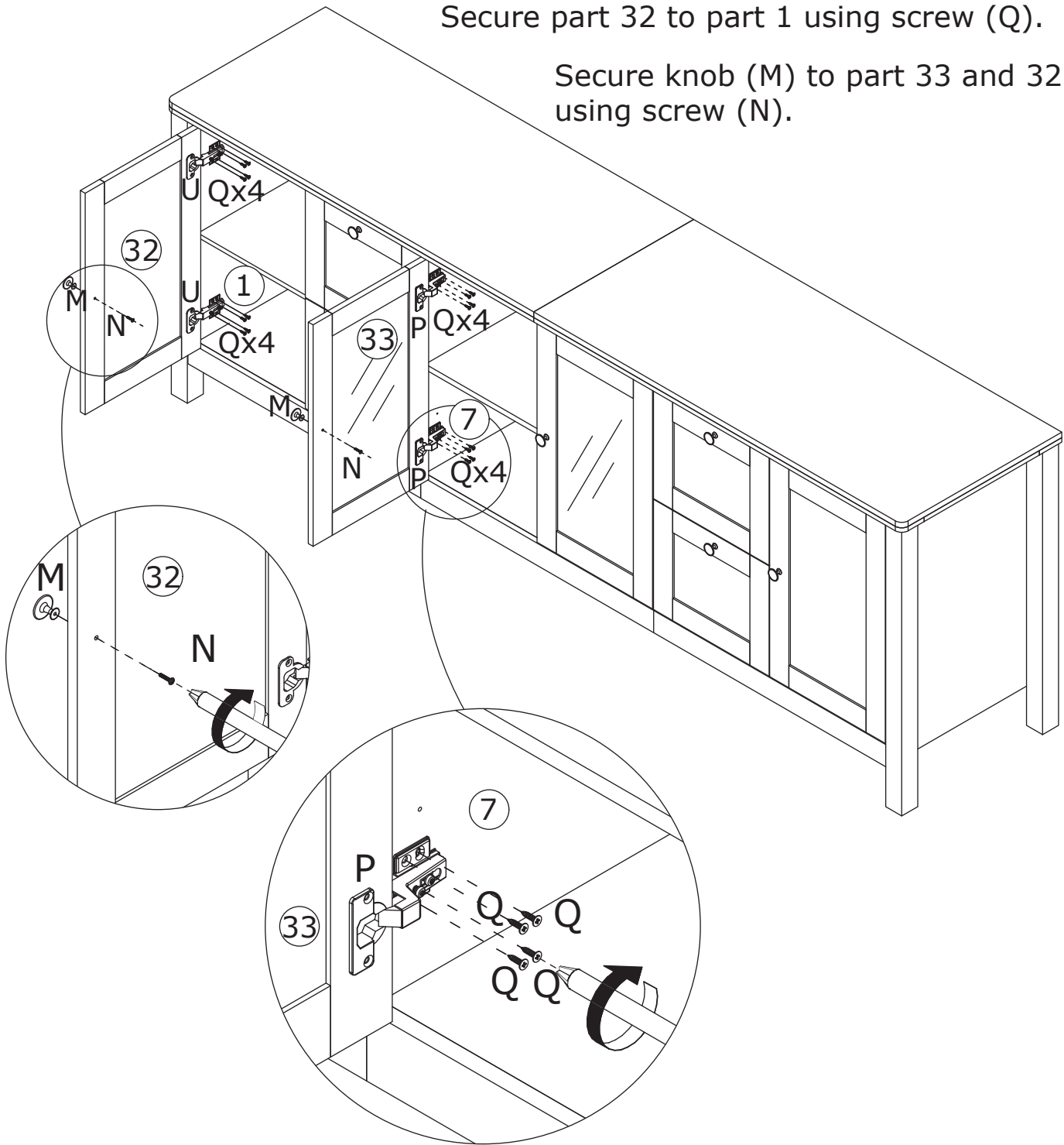
53



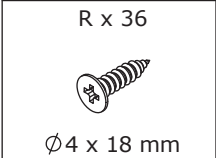
Note: The side panel has only two holes for fixing the rear part of the hinge. After fixing it in place, adjust the door panel properly. Then, use self-tapping screws to align with the other two holes of the hinge and directly screw them into the side panel.

Secure part 33 to part 7 using screw (Q).
Secure part 32 to part 1 using screw (Q).

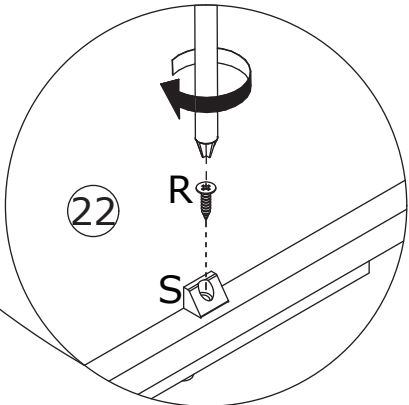
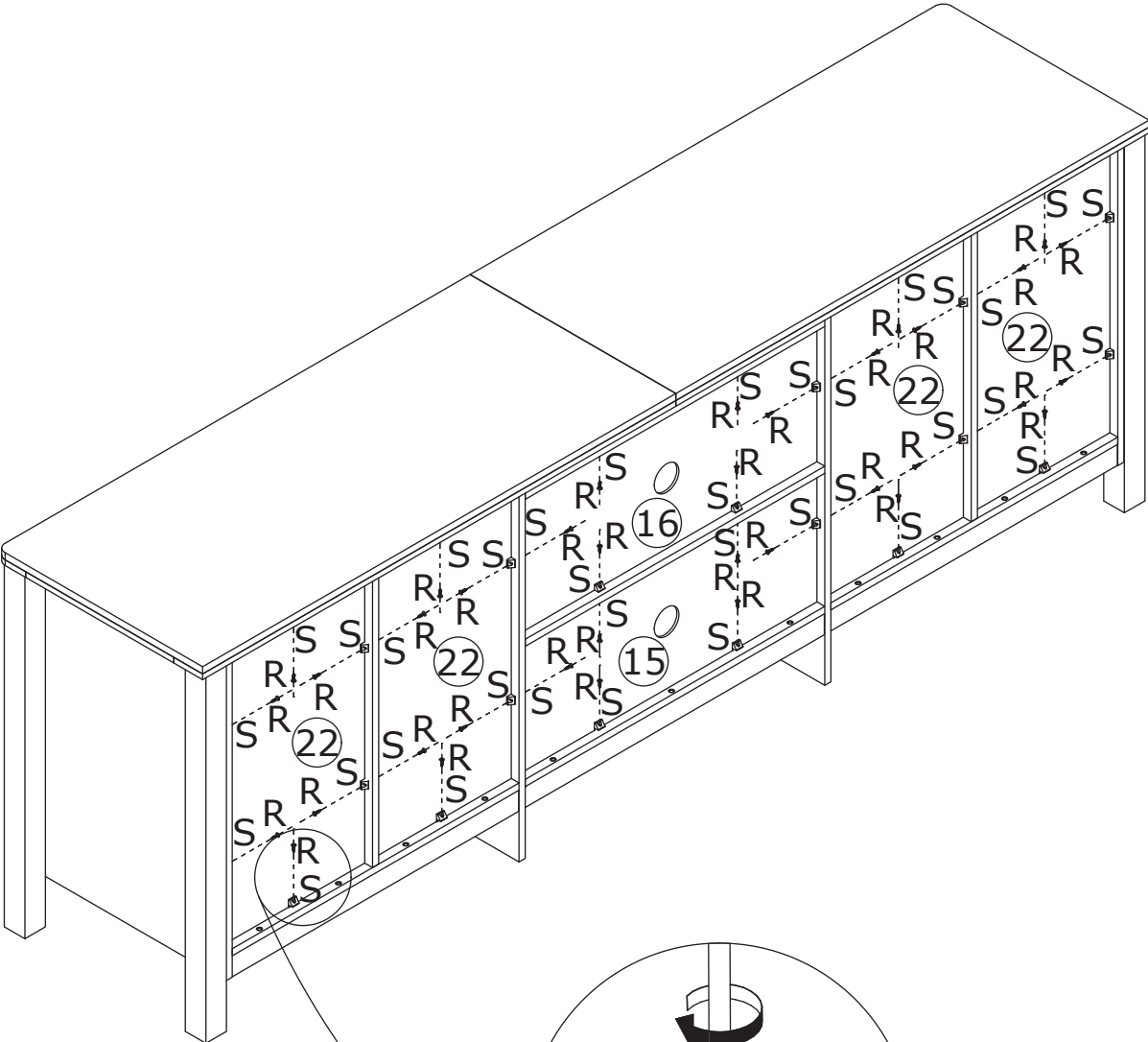
Secure knob (M) to part 33 and 32 using screw (N).





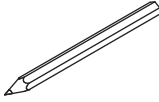

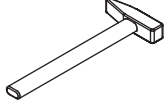
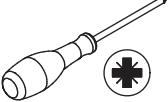


54



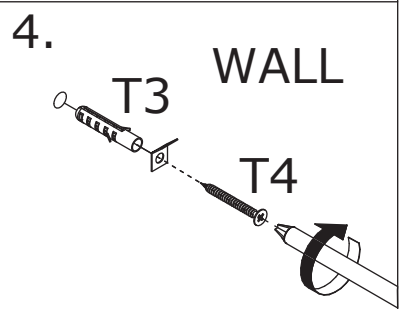
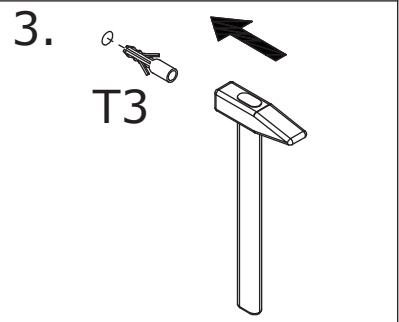
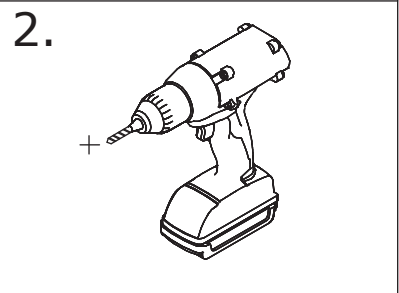
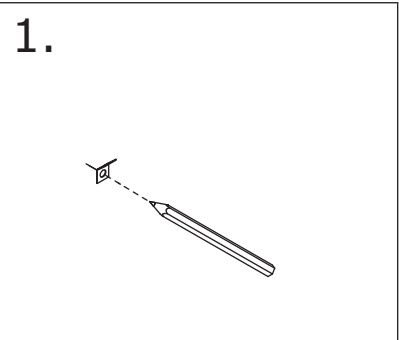
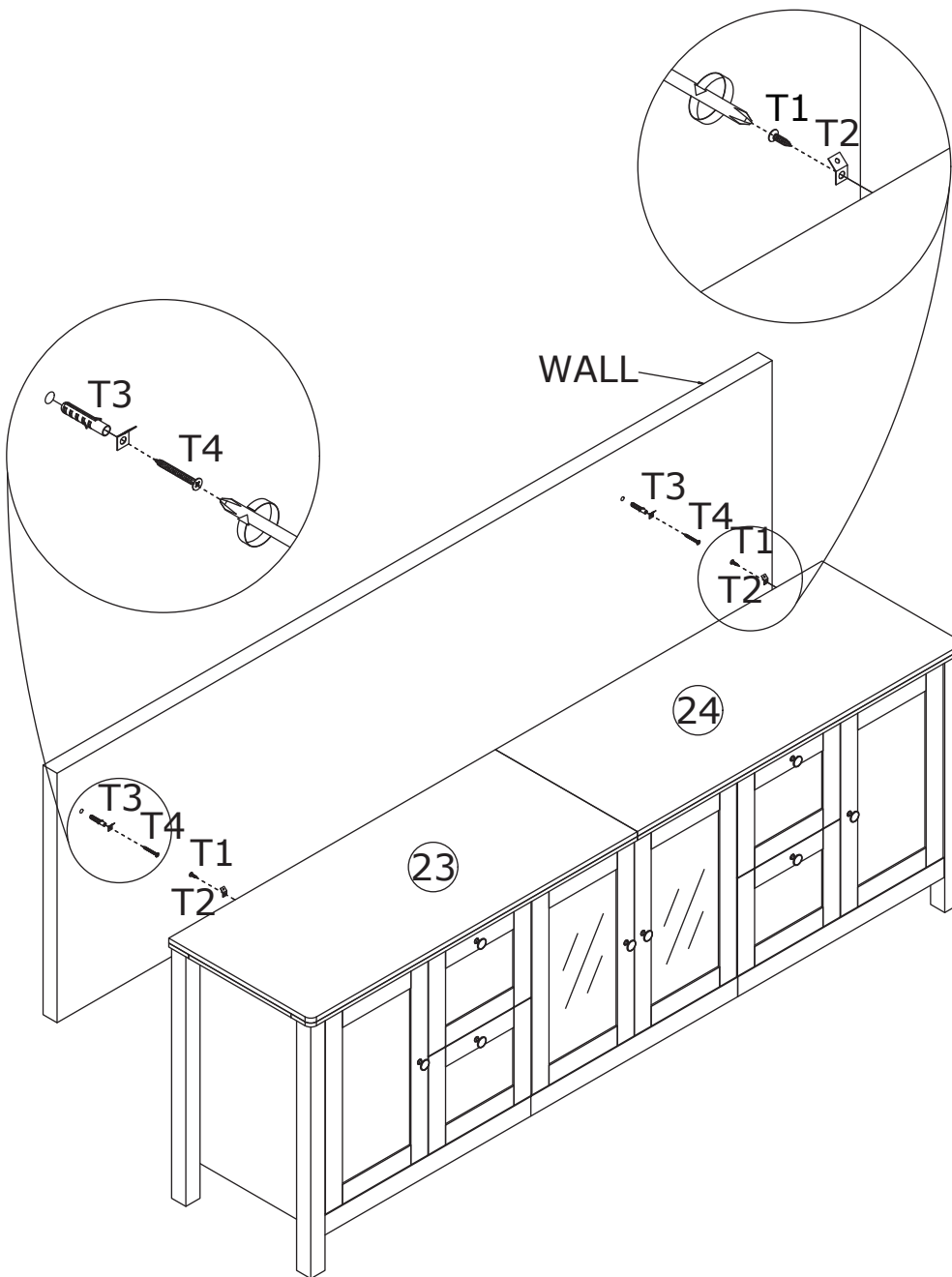
Insert clip (S) into back slots and secure using screw (R).



55

T1 x 2  Ø3.5 x 14 mm	T2 x 2 	 	 
T3 x 2 	T4 x 2  Ø3.5 x 35 mm		

Install the anti-tip device as shown.

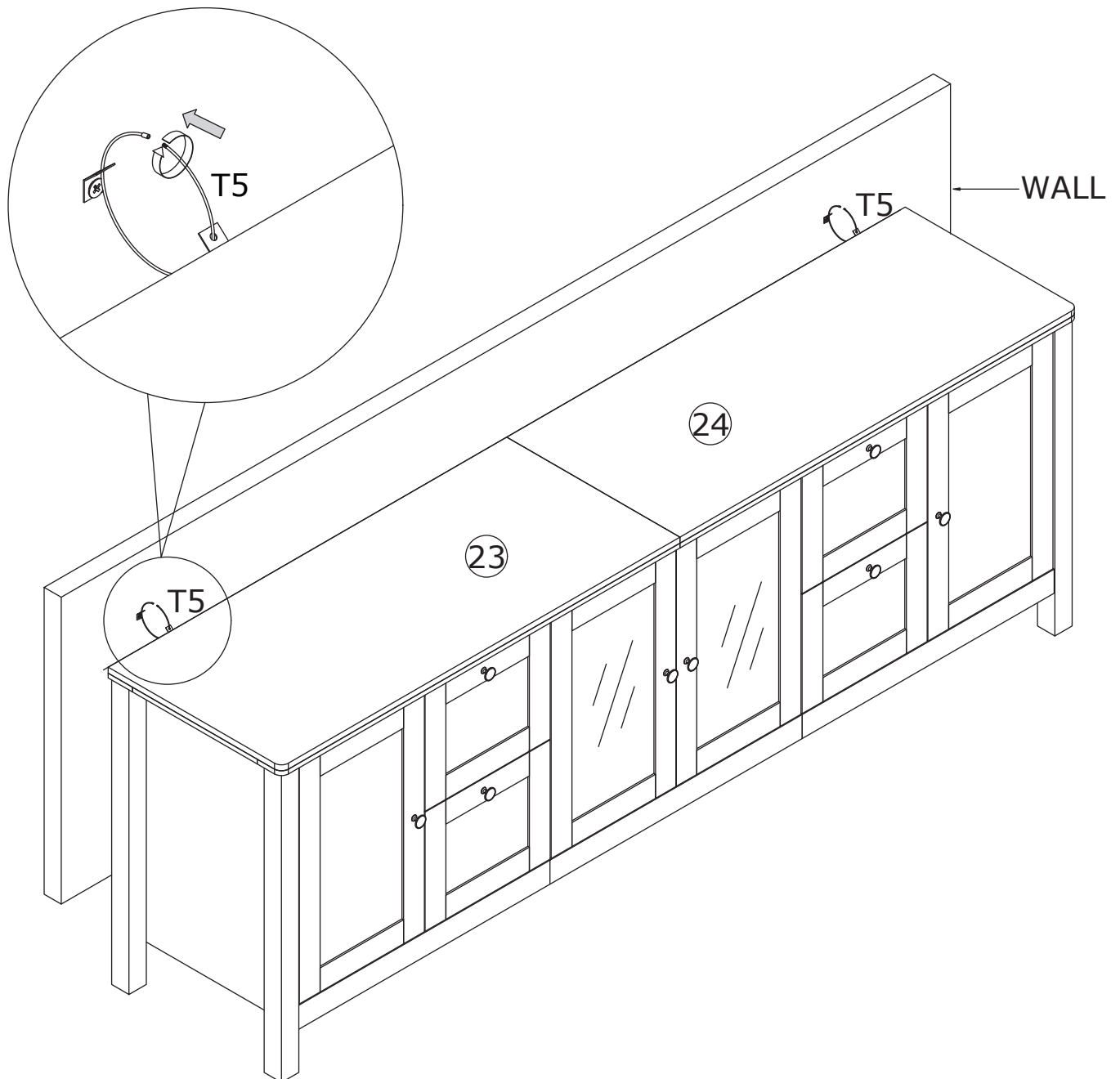


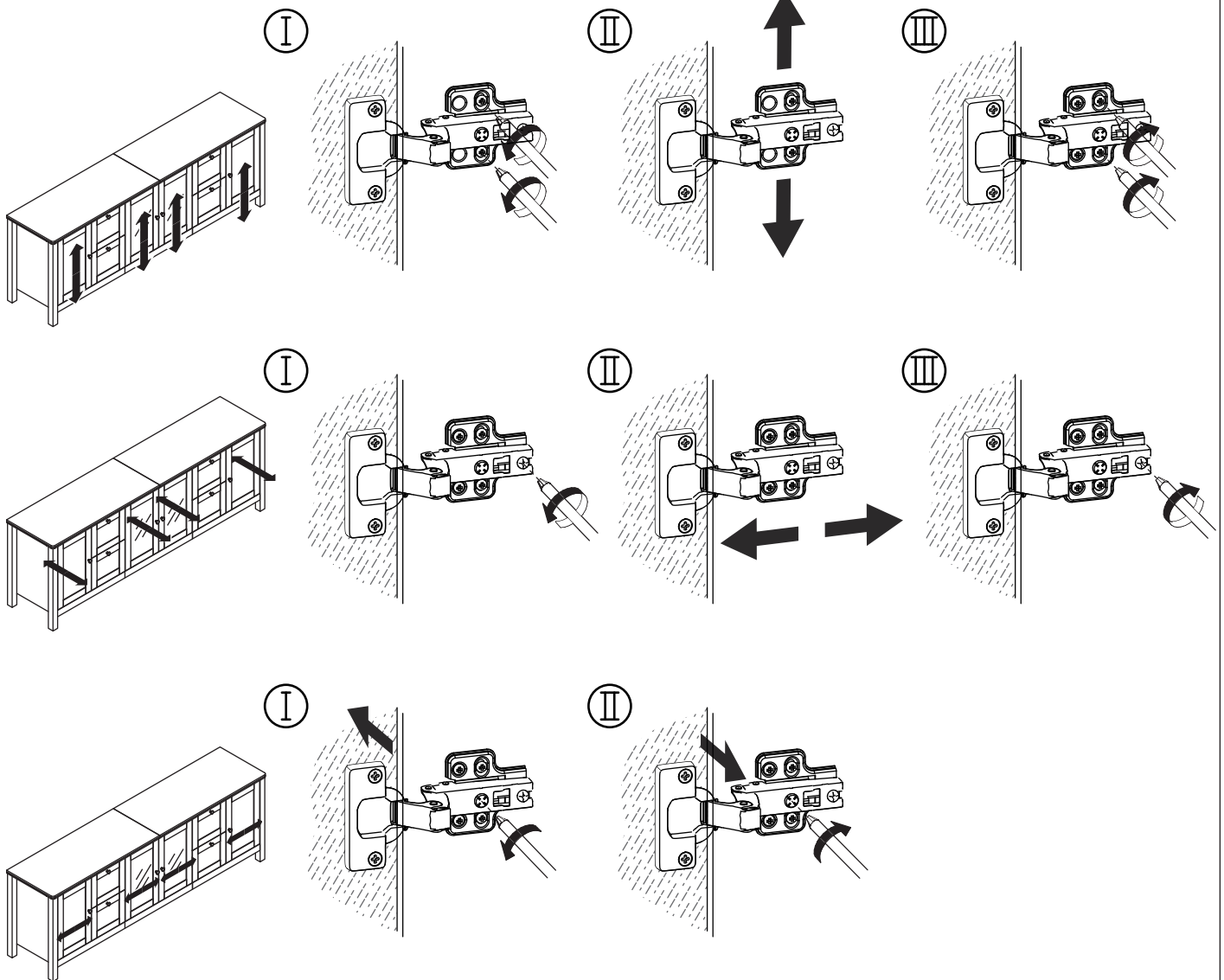
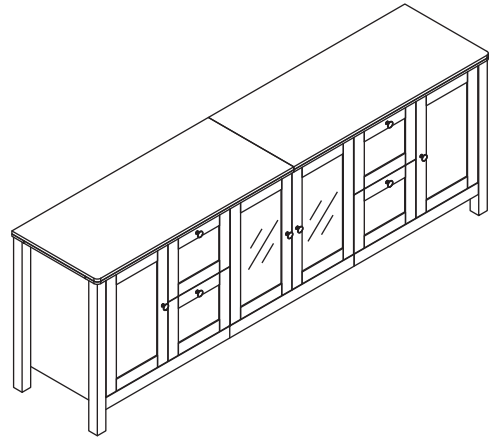
56

T5 x 2



Connect the assembly unit to the anti-tip device using accessory (T5).





WARRANTY

WARRANTY CLAIMS

- There is a 30-day warranty for broken furniture or any other problems that do not work properly. The warranty will start from the date of purchase which must be verified by proof of purchase.
- Before making a claim, we may be able to answer your query, simply call us. Please leave your purchase order number, along with some details of the problem, if you want a replacement part. We will arrange within 48 hours. If there is out of stock, we will reply with a shipping date.
- The product must be used in accordance with the instructions provided. For health reasons.
- For other reasons, if the furniture needs to be returned, it must be cleaned and dried and operated within 30 days of receipt.

Type of Warranty Claim

- Failure to follow the furniture instructions will invalidate the warranty. Attention please.
- Does not include damage during installation, but includes damage during transportation.

Scope of responsibility

- Shall not bear any responsibility for misuse or user damage and / or loss of parts during the installation of furniture.
- After using, the damage and scratches of the furniture are not covered by the warranty.

The Warranty Relates to All Bought in The Us and Covers The Following Areas

- Sheet parts: 1 month from the date of purchase.
- Electrical parts: 1 month from the date of purchase.

RETURNS

CHANGED YOUR MIND AND NEED TO RETURN YOU ITEM?

PLEASE FOLLOW THE BELOW INSTRUCTIONS:

- If you have purchased and have simply changed your mind, follow the retailer's instructions for returns.

DEFECTIVE ITEMS

- If your item is defective in any way, i.e. it doesn't work but you can't identify why, in the first instance, please call us.

DAMAGED ITEMS

- If you receive an order with obvious shipping damage from the retailer, then we suggest the delivery is refused. If the delivery has been accepted and then shipping damage is found, please follow the specific instructions advised by the retailer.
In all circumstances please save all packaging material and paperwork for the order. Please be aware that if you dispose of packaging material or attempt to return the merchandise without contacting the fulfiller, you jeopardise your chances of making a claim, and you may not receive a credit for the return.