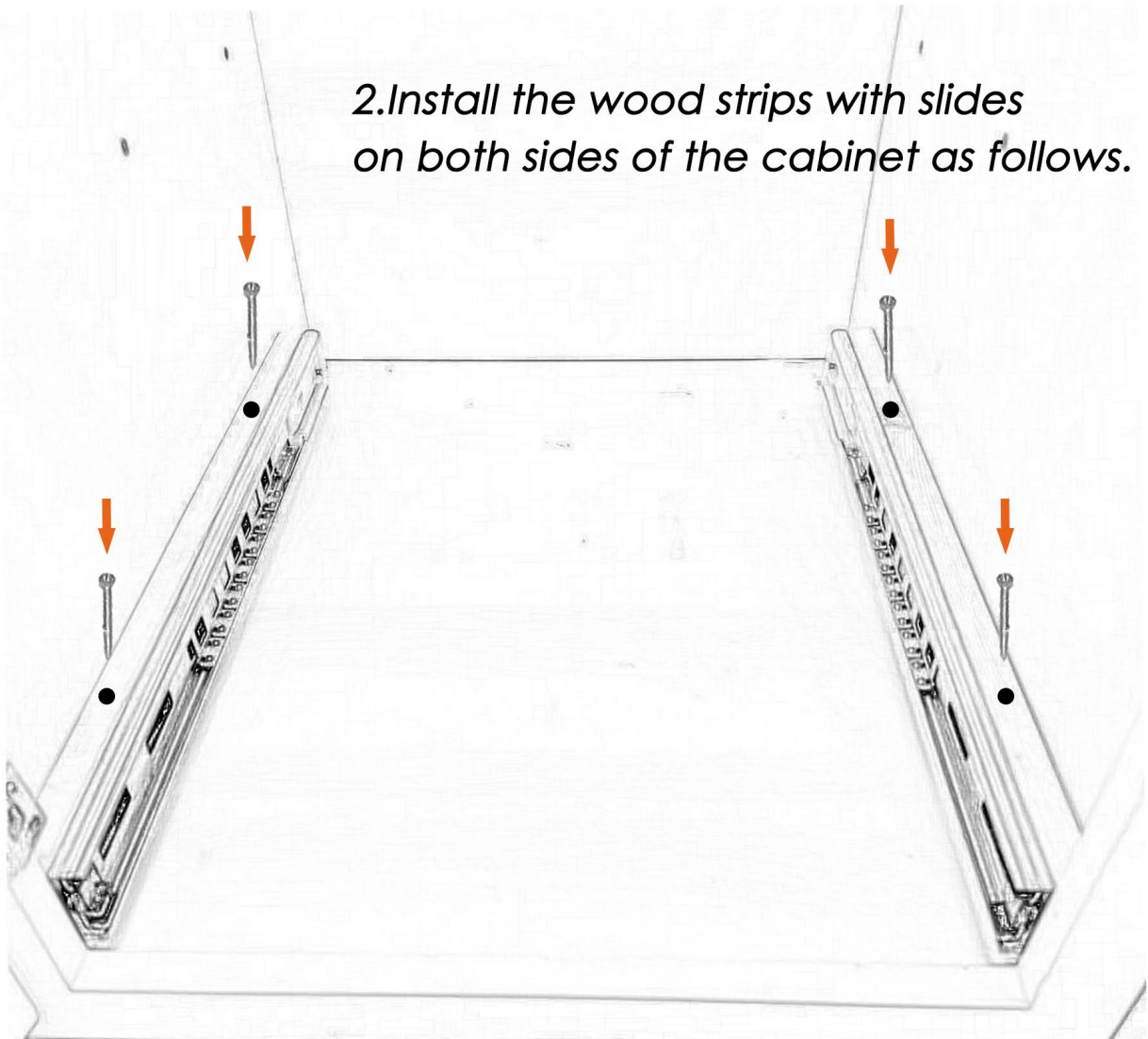


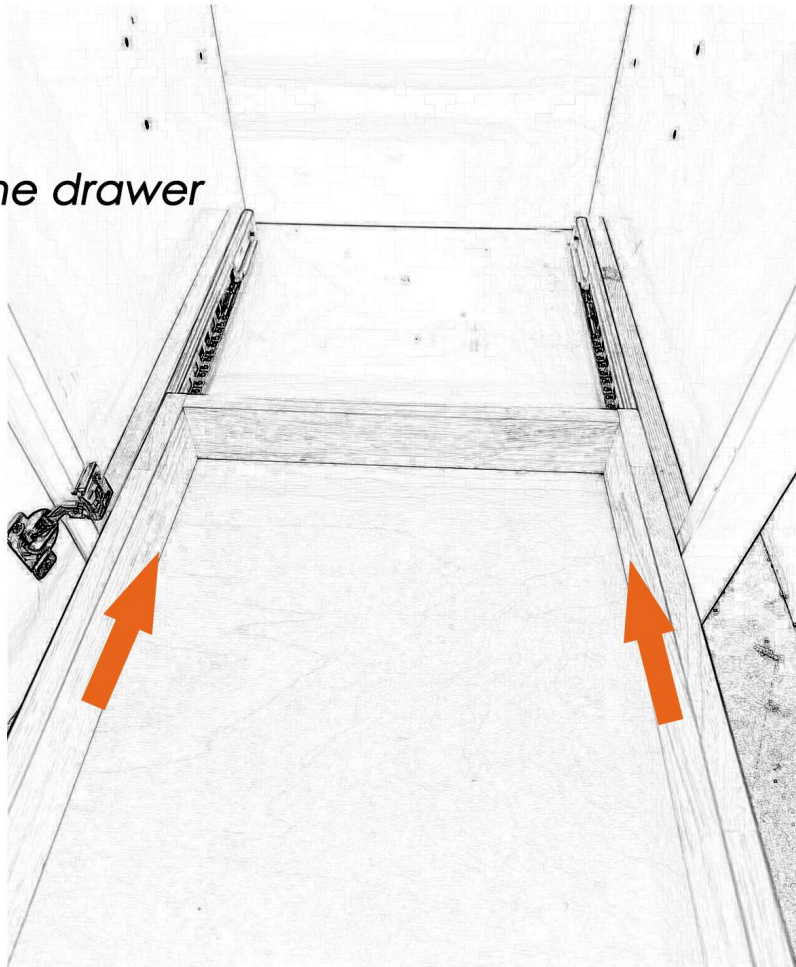
1. Two strip of wood and Four short screws and four long screws.



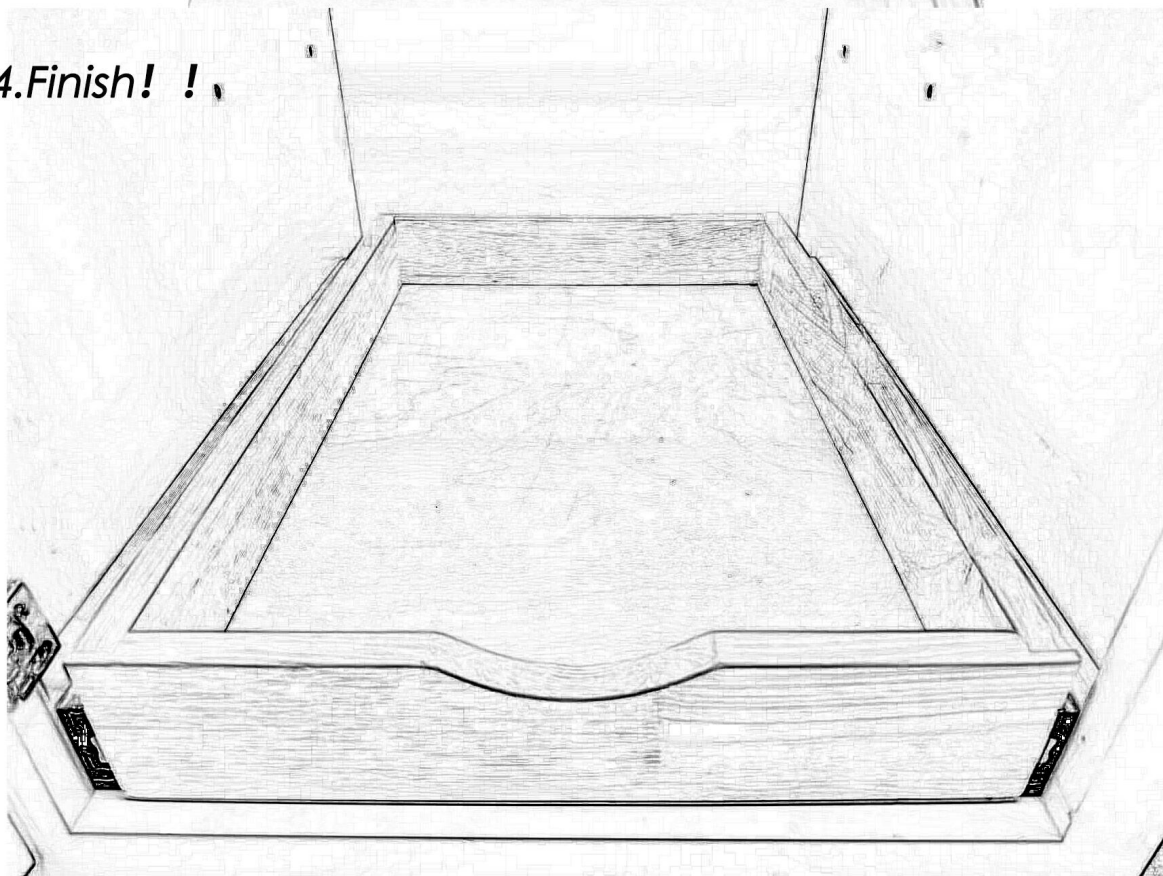
2. Install the wood strips with slides on both sides of the cabinet as follows.

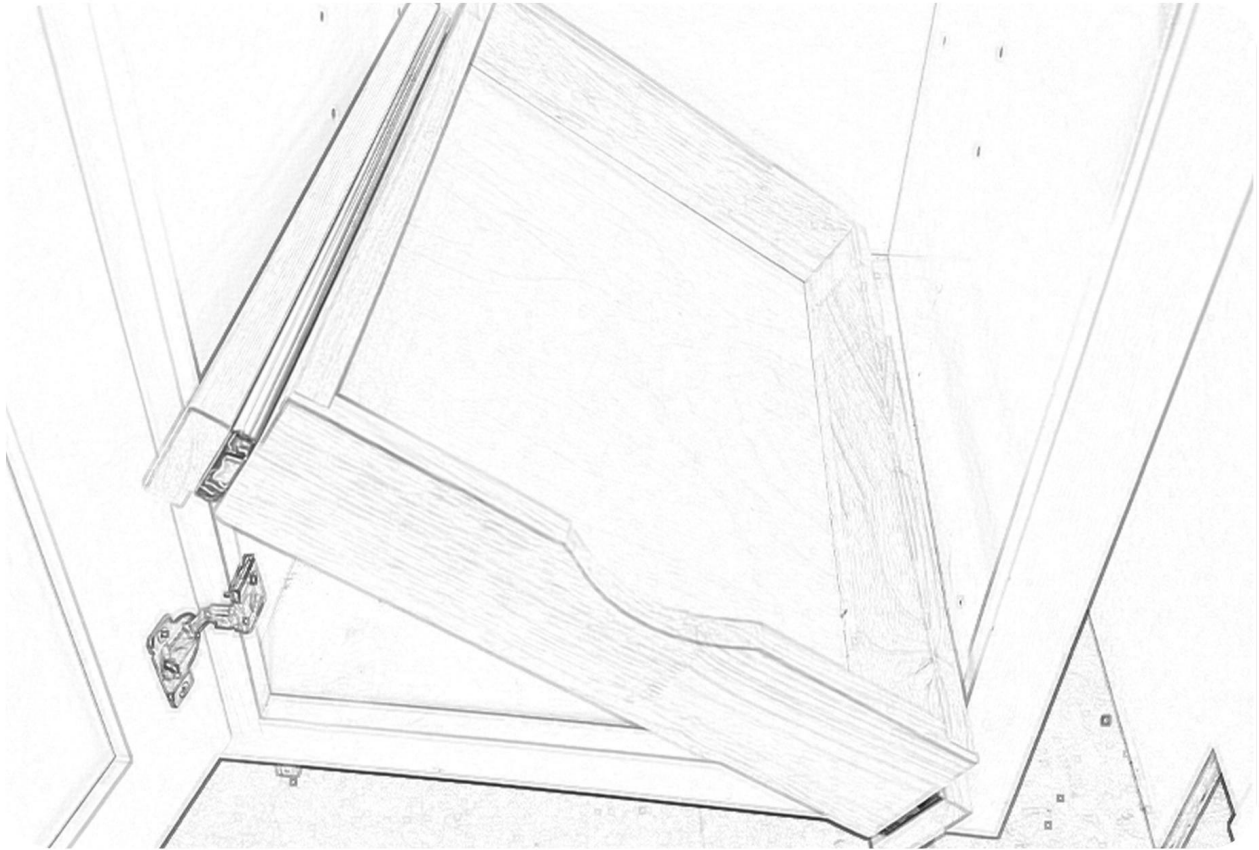


3. Insert the drawer

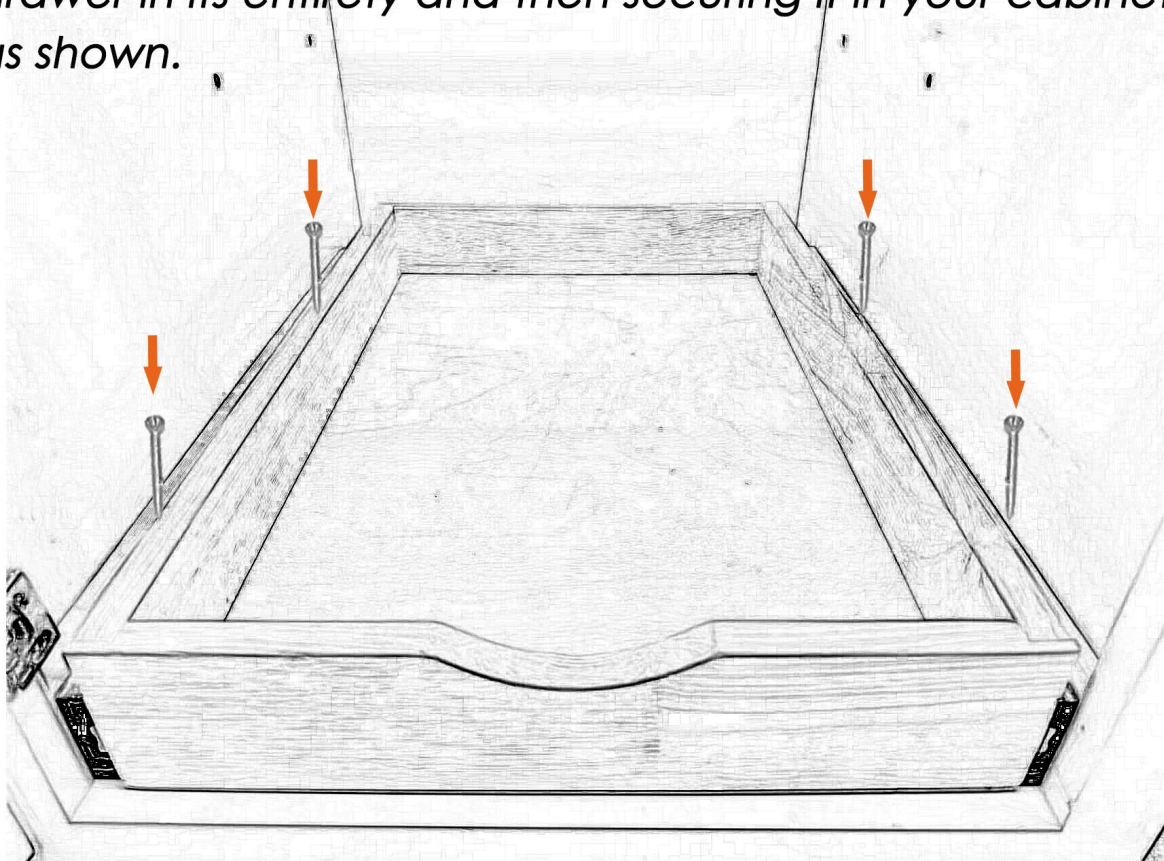


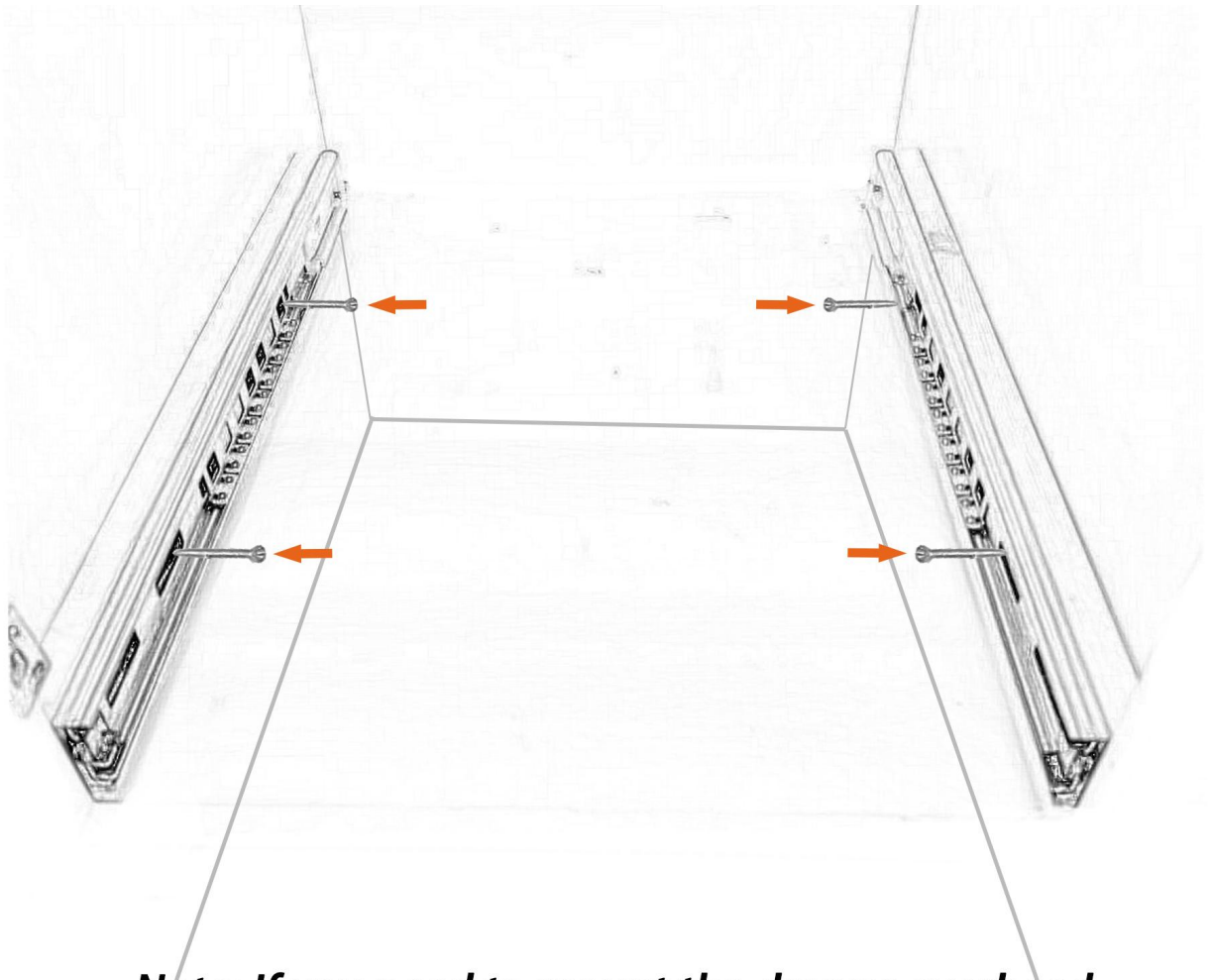
4. Finish! !





*NOTE: If you choose to install the drawer on the bottom of the cabinet, you also have the option of installing the drawer in its entirety and then securing it in your cabinet as shown.*





***Note: If you need to mount the drawer overhead, you do not need to install the four long screws.***

